



Merillat

CLASSIC[®]
— COLLECTION —

TIMELESS OPTIONS FOR EVERYDAY STYLE
THAT'S BUILT TO LAST.

**SPECIFICATIONS
BOOK**



MERRILLAT CABINETRY



MERILLAT CABINETRY

*Looking for Merillat Classic® Collection sales support?
These resources can help.*

Merillat.com

This consumer-facing website offers many ways to inspire organizational solutions in beautiful cabinetry options, as well as drive business to our dealers. Here are some highlights:

- View inspirational designs and photos.
- Download floor plan drawings from photosets to gather design ideas.
- Visualize door styles by wood species and finish.
- Use the “Features & Accessories for Your Lifestyle” to view organizational solutions by room type.
- Engage consumers by directing them to the “Merillat Kitchen Planner” to create a “visual wish list” to share with their designer.
- Educate consumers about wood characteristics, installation, Merillat sustainability initiatives, and dos and don’ts of cabinetry care.

Cabinetry Info – CabinetryInfo.com

Your source for online ordering. Sign up today if you don’t already have an account. If you’re not currently registered for Cabinetry Info (Cabinetworks business portal) to access the Merillat Business website, you could be missing important product and brand information that can assist you with your Merillat sales efforts. It’s quick and easy, so visit the site and register today. It will enable you to:

- Submit online paperless orders
- Check order status
- Order History to download copies of invoices, acknowledgments and shipping reports.
- Download or order product literature, like the product brochure, specification and price books, door/style finish codes, and 2020 Design updates. (For questions on 2020 Design email – ecatalogsupport@merillat.com.)
- Access dealer marketing tools including available advertising templates and marketing tips.
- Order samples and displays, like wood chips, selection centers, and sample doors and backer cards.

Automated Orders proCAB™

proCAB™ is an online, web-based, real-time order management solution available for Merillat cabinetry product lines.

- Order Entry and Inquiry
- Import Kitchen Designs from 2020
- No Charge Shortage and Damage Ordering
- Quote Order Capabilities
- Expedite Requests
- Shipment Status Inquiry
- Product Inquiry Search
- Document Imaging to retrieve copies of acknowledgments, invoices, and shipping reports

For more information, please contact us directly at (866) 626-1621 or proCABsupport@merillat.com

Order Confirmation and Tracking

You can monitor your order using Cabinetry Info or proCAB. Simply login to review your confirmation that your order has been received and to also track its progress.

Merillat Classic® Cancellation Policy

Merillat Classic® Collection is made to order. That means we don’t start building your cabinets until your order is placed. Due to our fast shipping schedule, orders are fulfilled as quickly as possible, affecting our ability to accept cancellations. To consistently maintain the quick shipping schedule, our policy is that orders cannot be canceled once placed.

Merillat® Customer Care Resources

Electronic means are convenient, but sometimes you just need to talk to a person, and Merillat Customer Care consultants are here to help. Your consultant can help you:

- Finalize an order.
- Follow up on orders or track delivery progress.
- Discuss product situations or address invoice questions.

Your Merillat® account manager is there to help you ... every step of the way. Make sure to contact them whenever you have questions, concerns or need information.

Additional assistance is available:

- For specification and price book assistance, email specbooksupport@merillat.com
- For general support call Customer Care at (855) 896-9803 or email distribution@merillat.com

Hours are M-F 8:00 AM to 6:00 PM EST

For Order Placement:

Fax (866) 998-4432 or orderentry@merillat.com



Merillat® cabinetry carries the seal of the Kitchen Cabinet Manufacturers Association (KCMA) Certification Program, which assures that our cabinets meet or exceed the rigorous standards set by the American National Standards Institute (ANSI). Our cabinets are also independently tested to ANSI/KCMA A161.1 and paragraph 611-1.1, “HUD Minimum Property Standards–Housing 4910.1” 9-8-86.

Merillat cabinetry demonstrates its commitment to environmental sustainability through meeting or exceeding the requirements as outlined in the Environmental Stewardship Program certification, administered by the KCMA.

All Merillat Cabinetry facilities have also obtained ISO 14001 certificate of approval, demonstrating our commitment to reducing the impact of operations on the environment.

Construction and assembly methods may vary from what is shown in samples and imagery, but do not affect KCMA certification or performance standards of products.



WARNING: This product can expose you to chemicals including formaldehyde, which is known to the State of California to cause cancer. For more information go to www.P65Warnings.ga.gov.

Merillat

CLASSIC®
— COLLECTION —

Specifications

©2020



MERILLAT CABINETRY

Table of Contents

Table of Contents and info	1-6	Vanity Cabinets	G1-G16
What's New	2	Vanity Cabinets	G1-G6
Code System	3-4	Vanity Sink Cabinets	G7-G9
Understanding Product Codes	5	Vanity Wall Cabinets	G10-G11
Order Upchart % Guide	6	Vanity Panels	G12
Index	i-ii	Vanity Fillers	G13-G14
Door Styles	A1-A20	Vanity Shelving	G15
Finishes	B1-B2	Vanity Accessories	G16
Cabinet Specifications and Options	C1-C14	Office Cabinets	H1-H4
Cabinet Specifications	C1-C6	Office Cabinets	H1-H2
Construction Options	C7-C14	Office Panels	H3
Wall Cabinets	D1-D28	Office Accessories	H4
Wall Cabinets	D1-D2	Universal Access Cabinets	I1-I8
Peninsula Wall Cabinets	D3	Universal Access Cabinets	I1-I4
Wall Corner Cabinets	D4-D7	Universal Base Sink Cabinets	I5-I6
Peninsula Wall Corner Cabinets	D8	Universal Accessories	I7-I8
Wall Appliance Cabinets	D9-D10	Panels-Shelving-Trays	J1-J10
Wall Open Cabinets	D11-D12	Panels	J1-J2
Wall End Run Cabinets	D13-D14	Shelving	J3-J4
Wall Hoods	D15-D16	Trays	J5-J10
Wall Specialty Cabinets	D17-D18	Molding - Accents	K1-K12
Wall Panels	D19	Moldings	K1-K9
Supports and Valances	D20	Decorative Accents	K10-K12
Wall Decorative Accents	D21	Replacement Parts	L1-L26
Wall Fillers	D22-D24	Replacement Hardware	L1-L10
Wall Shelving	D25	Accessory Doors	L11-L12
Wall Accessories	D25-D28	Touch Up	L13-L15
Base Cabinets	E1-E32	Sales Doors	L16
Base Cabinets	E1-E5	Door & Drawer Front Sizes	L17-L23
Base Sink and Appliance Cabinets	E6-E11	Use and Care	L24
Base End Run Cabinets	E12-E13	Framed Cabinet Specifications	L25-L26
Base Corner Cabinets	E14-E19	Nomenclature Index	M1-M2
Base Panels	E20		
Base Decorative Accents	E21		
Countertop & Shelf Supports	E22		
Base Fillers	E23-E25		
Base Shelving	E26		
Base Accessories	E27-E32		
Tall Cabinets	F1-F12		
Tall Cabinets	F1-F3		
Tall Appliance Cabinets	F4-F5		
Tall Panels	F6-F8		
Tall Fillers	F9-F10		
Tall Shelving	F11		
Tall Accessories	F12		

What's New in your spec book

New

Watch for this icon highlighting new items

Watch for grey codes and this note highlighting new models or codes

WSC1818

Grey color coding indicates new product, size or code

New Product		What's Changed
Doors	Page	Glaze has changed to a Highlight process
Glenrock Maple w/Solid or 5-piece drawer front	A7	New decorative hardware will be in a supplemental piece online
Marlin Maple w/5-piece drawer front	A10	New nomenclature - 170 Degree Hinge
Finishes	Page	New nomenclature - Bi-Fold Hinge
Boardwalk Stain	B1	Wastebasket cabinet design
Steel Grey Stain	B1	
Base Cabinets	Page	What's Discontinued
Base Floating Plumbing Skirt True	E8	Doors
Vanity Cabinets	Page	Fusion in Cherry
Vanity Floating Plumbing Skirt True	G9	Whitebay II
Office Cabinets	Page	Finishes
Desk End Panel Contoured	H3	Hazelnut & Hazelnut w/Java
Universal Access Cabinets	Page	Sedona & Sedona w/Ebony
Universal Base Double Door in 39", 45" and 48" widths	I2	Office Cabinets
Universal Base Blind Corner	I3	Desk End Panel
Universal Base Microwave Cabinet	I4	Molding-Accents
Molding - Accents	Page	Triple Bead Edging & Pilaster
Angled Light Rail	K2	
Empire Light Rail	K5	
Inset Light Rail	K5	
Large Sterling Crown Molding	K5	
Traditional Light Rail	K9	
Replacement Parts	Page	
Accessory Non-drilled doors	L19-L20	
Door & Drawer fronts	L21-L23	

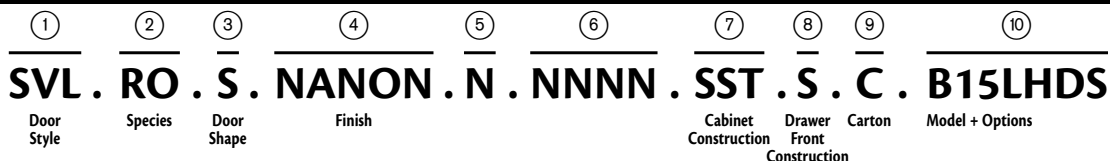
* When a painted door is specified, the drawer front, door stiles, door rails and/or door center panel may be constructed of Medium Density Fiberboard (MDF). MDF provides resistance to warping, expansion and contraction.

Code System

Merillat Ordering Code

Merillat builds its order code from global options, model, and model options which together define an orderable item. The order code is created from the door, finish, construction, cartoning, model and model options to complete the order code. The order code can incorporate all possible combinations available in the Merillat product line. Each order code must be complete to be recognized as a unique product. By understanding the Merillat code system you can identify any product with any variation or option in one place.

Following is a breakdown of each order code segment and how it combines to make a full order code. Each segment is identified with an identification number. That number will be repeated on this page and every page where the specification of product relates to a segment position of the order code.



① Door Style	Code
Avenue	AVE
Fox Harbor	FXR
Fusion	FSN
Glen Arbor	GNA
Glenrock	GRK
LaBelle	LBL
Lanielle	LNE
Marlin	MRL
Portrait	PRT
Ralston	RAL
Rowan	RWN
Seneca Ridge	SNR
Somerton Hill	SMH
Spring Valley	SVL
Sutton Cliffs	STC
Tolani	TLN
Vance	VNC

② Species	Code
Cherry	CH
Hickory	HK
Laminate	LM
Maple*	MP
Red Oak	RO
Textured Laminate	TL
Thermofoil	TH

③ Door Shape	Code
Arch	A
Square	S
Slab	B

④ Stain Finishes	Code
Amaretto	ARNON
Basalt	BANON
Boardwalk	BWNON
Dusk	DSNON
Kona	KONON
Natural	NANON
Pecan	PCNON
Sable	SBNON
Steel Grey	SGNON
Toffee	TFNON

④ Stain w/Highlight Finishes	Code
Amaretto w/Java Highlight	ARJVZ
Natural w/Java Highlight	NAJVZ
Sable w/Ebony Highlight	SBEBZ
Toffee w/Java Highlight	TFJVZ

④ Painted Finish*	Code
Chiffon	CHNON
Cotton	CTNON
Graphite	GPNON
Mist	MSNON
Nightfall	NFNON
Shale	SENON

④ Painted Finish w/Highlight*	Code
Chiffon w/Desert Highlight	CHDSZ
Chiffon w/Tuscan Highlight	CHTNZ
Cotton w/Java Highlight	CTJVZ
Cotton w/Tuscan Highlight	CTTNZ
Graphite w/Desert Highlight	GPDSZ
Graphite w/Tuscan Highlight	GPTNZ
Mist w/Desert Highlight	MSDSZ
Mist w/Tuscan Highlight	MSTNZ
Nightfall w/Ebony Highlight	NFEBZ
Shale w/Desert Highlight	SEDSZ
Shale w/Ebony Highlight	SEEBZ

④ Thermofoil Finishes	Code
White	WHNON

④ Textured Laminate Finishes	Code
Cavern	CVNON
Whisper	WPNON

④ Laminate Finishes	Code
Grey	GRNON
White	WHNON

* When a painted door is specified, the drawer front, door stiles, door rails and/or door center panel may be constructed of Medium Density Fiberboard (MDF). MDF provides resistance to warping, expansion and contraction.

- ⑤ This attribute is being held for future use to indicate special finishing options

N

- ⑥ This attribute is being held for future use to indicate special construction material options

NNNN

⑦ Cabinet Construction

⑦a

Cabinet Construction Code
S, P, A

⑦b

Drawer Box Code
S, D

⑦c

Thick Shelf Code
T

Options	Code
Standard Construction, Standard Drawers, Thick Shelves	SST
Standard Construction, Dovetail Drawers, Thick Shelves	SDT
Standard Construction with Plywood Ends, Standard Drawers, Thick Shelves	PST
Standard Construction with Plywood Ends, Dovetail Drawers, Thick Shelves	PDT
All Plywood Construction, Dovetail Drawers, Thick Shelves	*ADT

*Only available with Dovetail Drawers

⑧ Drawer Front Construction

Options	Code
Solid Drawer Front	S
3-Piece Drawer Front	3
Option upgrade on Tolani	
5-Piece Drawer Front Option	5

Option upgrade on Avenue, Fox Harbor, Marlin, Portrait, Ralston, Rowan, Tolani, and Vance. Standard on Labelle.

⑨ Cartoning

Options	Code
Cartoned	C

⑩ Model + Options

Code must appear in the order listed below. Not all code slots need to appear in the model + option code, just the options that apply.

Model	⑩a Depth	⑩b Code	⑩c Hinging	⑩d Code	Tray/Shelf	⑩e Code	Glass Door	⑩f Code	Matching Interior	⑩g Code	Partial Cabinet	Code
W1842	9" deep	09	Left	L	Half Depth Shelf	HDS	Glass Door	GD	Matching Interior	MI	Cabinet Front Only	CFO
B21	12" deep	12	Right	R	Full Depth Shelf	FDS	Prepared for Glass Door	PG			Case Only	CSO
B30	15" deep	15			1 Wood Tray	1WT	Mullion Glass	MG			Void Toe Kick	VTK
U159624	18" deep	18			2 Wood Trays	2WT	Prepared for Mullion Glass	PM				
VCD2435DL	21" deep	21			3 Wood Trays	3WT	Prairie Glass	PR				
	24" deep	24			4 Wood Trays	4WT	Prepared for Prairie Glass	PP				
					6 Wood Trays	6WT						
					1 Standard Tray	1ST						
					2 Standard Trays	2ST						
					3 Standard Trays	3ST						
					4 Standard Trays	4ST						
					6 Standard Trays	6ST						
					1 Wood Full-Width Tray	1WF						
					2 Wood Full-Width Trays	2WF						
					1 Standard Full-Width Tray	1FT						
					2 Standard Full-Width Trays	2FT						
					2 Deluxe Trays	2DT						
					4 Deluxe Trays	4DT						
					6 Deluxe Trays	6DT						
					2 Deluxe Full-Width Trays	2DF						

Model + Option Code Examples

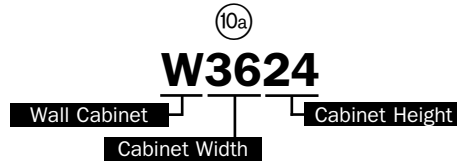
Description	Code
Wall Single Door Cabinet 18" Wide x 42" High x 12" Deep Hinged Right Mullion Glass Door with Matching Interior	W1842RMGMI
Wall Single Door Cabinet 18" Wide x 42" High x 15" Deep Hinged Right Mullion Glass Door with Matching Interior	W184215RMGMI
Base Single Door Cabinet 21" Wide Hinged Right with 2 Deluxe Trays	B21R2DT
Base Double Door Cabinet 30" Wide with Half Depth Shelf	B30HDS
Base Double Door Cabinet 30" Wide with 4 Standard Trays	B304ST
Utility Cabinet Single Door 15" Wide x 96" High x 24" Deep Hinged Right	U159624R
Vanity Combination Drawer 24" Wide x 34 1/2" High Drawers Left	VCD2435DL

Understanding Product Codes

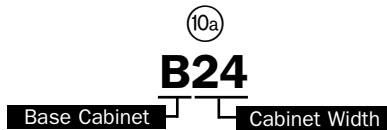
Standard Cabinets

Wall Cabinet widths are always listed first followed by height. A standard wall cabinet is 12" deep except for Wall Refrigerator Cabinets which have a standard depth of 24". Thus 36 is the width, 24 is the height and depth is 12". Depth is only listed as the last two numbers when depth is other than standard.

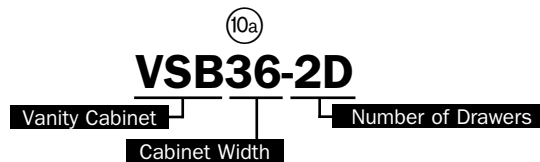
Tall cabinets follow the same sequence characteristics as Wall Cabinets; width first followed by height (eg; U 1884). In those instances where the cabinet depth is greater than 12", the sequence is width and height, followed by depth (eg; U 188424).



Base Cabinets are simpler than Wall Cabinets because the height (34 1/2" plus 1 1/2" for the countertop) and the depth (24") are always the same unless otherwise noted. The only numbers you need to know are the width.

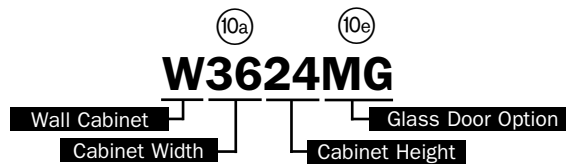


Vanity Cabinets are similar to Base Cabinets; the numbers are used to represent the width. Vanity Sink Base Cabinets are either 31 1/2" or 34 1/2" high plus 1 1/2" for the countertop. This particular cabinet is 31 1/2" high and comes standard with two drawers and is located at the end of the code.

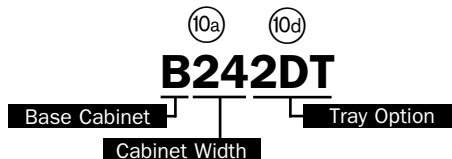


Cabinets with Options

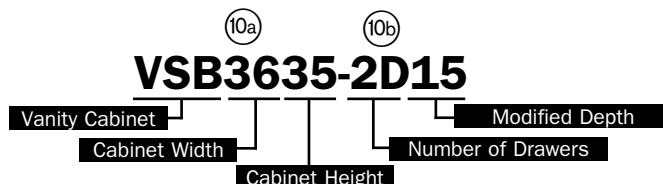
Glass Doors are an available option for select Wall Cabinets. Previously, Wall Cabinets with Glass Doors were listed as different cabinets. Now that Glass Doors are options, we can provide you with more focused information; less clutter. The Mullion Glass Door option has been chosen for this cabinet. The code looks the same as it did before with (MG) placed at the end.



Trays are an available option for select Base Cabinets. Like Glass Doors, previously Base Cabinets with Trays were listed as different cabinets. With Trays becoming clear options, we are able to communicate with greater detail the different trays to choose from and the availability of the option with ease. The option of 2 Deluxe Trays has been chosen for this cabinet. The code looks the same as it did before with (2DT) placed at the end.



We now offer Modified Depth options in increments of 3". Previously we offered only limited depths to cabinets. These predetermined depths were listed as separate cabinets making it difficult to see the selections. Now with six options of Modified Depth to choose from, you are able to interact with our products on a truly semi-custom level. The option of reduce to 15" deep has been chosen for this cabinet. This cabinet is 36" wide, 34 1/2" high with 2 drawers and a modified depth of 15".



Order Upcharge % Guide

Finishes	%
Stain Finishes	N/C
Stain w/Highlight Finishes	15%
Painted Finishes	15%
Paint w/Highlight Finishes	15%
Laminate	N/C
Textured Laminate	N/C
Thermofoil	N/C

Construction Options	Code	% / \$
Standard Construction	SST	N/C
Standard Construction w/Dovetail Drawers	SDT	N/C
Plywood Ends	PST	10%
Plywood Ends w/Dovetail Drawers	PDT	10%
All Plywood Construction w/Dovetail Drawers	ADT	20%
Depth Modification	09, 12, 15, 18, 21, 24	25%
Half Depth Shelf	HDS	N/C
Full Depth Shelf	FDS	\$25
Standard Trays	1ST, 2ST, 3ST, 4ST, 6ST	\$50, \$100, \$150, \$200, \$300
Wood Trays	1WT, 2WT, 3WT, 4WT, 6WT	\$65, \$125, \$185, \$240, \$350
Standard Full-Width Trays	1FT, 2FT	\$75, \$150
Wood Full-Width Trays	1WF, 2WF	\$90, \$175
Deluxe Trays	2DT, 4DT 6DT	\$250, \$475, \$625
Deluxe Full-Width Trays	2DF	\$250
Glass Door	GD	\$175
Prep for Glass	PG	\$125
Mullion Glass Door	MG	\$250
Mullion Prep for Glass	PM	\$200
Prairie Glass Door	PR	\$250
Prairie Prep for Glass	PP	\$200
Matching Interior	MI	25%
Drawer Front option	3 or 5	\$60/front
Cabinet Front Only	CFO	-20%
Case Only Option	CSO	-20%
Void Toe Kick	VTK	\$100

N/C = no upcharge

Quick Links

Resource	Web URL
2020 Design Catalogs	https://info.cabinetworksgroup.com/group/merillat-business/2020-catalogs
CabinetryInfo.com	https://info.cabinetworksgroup.com/group/merillat-business
Order History	https://info.cabinetworksgroup.com/group/merillat-business/order-history
Order Status & Replacement Parts Ordering	https://info.cabinetworksgroup.com/group/merillat-business/order-inquiry-parts-ordering
Place an Order	https://info.cabinetworksgroup.com/group/merillat-business/send-an-order
Merillat Cabinets Consumer Site	https://www.merillat.com/

ITEM	PAGE	ITEM	PAGE	ITEM	PAGE
#				G	
170 Degree Hinge	L5	Cabinet Dusting Cloths	L13	Glass Doors	C12
3/4 Extension Side Mount Roller Guide Kit	L1	Cabinet Front Only	C14		
3/4 Extension Side Mount Roller Guide		Case Only Option	C14	H	
Peninsula Base Kit	L1	Chair Rail Molding	K2	Half Depth Shelf	C10
3/4 Extension Side Mount Roller Guides	L1	Classic Crown Molding	K2	Hardware Pack	L8
3/4" Shelf Clip	L6	CoreGuard® Panel Backer	J2	Hardware Template Kit Universal	L10
3/4" Shelf Clip with Stop	L6	CoreGuard® Sink Base	E6	Heat Shield	E11
		Corner Molding	K3	Heavy Duty Furniture Shelf Kit	J4
A		Countertop Molding - Decorative Edge	K3		
Accessory Glass Doors	L11-L12	Countertop Support Bracket	E22	I	
Angle Crown Molding	K1	Cove Corbel	K11	Inset Light Rail	K5
Angle Crown Molding Face Mount	K1	Cove Foot	K11		
Angled Light Rail	K2	Cove Light Rail Molding	K4	K	
Angled Outside Corner Molding - 135°	K2	Cove Molding	K4	Knife Section Cutting Center Kit	E28
Ansel Corbel	K10	Crown Molding	K4		
Ansel Foot	K10	Cutlery Divider	E29	L	
Ansel Leg Base	K10			Large Sterling Crown Molding	K5
		D		Lazy Susan Revolving Shelf Kit (One Shelf)	D26
B		Decorative Dishwasher Panel	E10	Lazy Susan Revolving Shelf Kit (Three Shelves)	D26
Back Plugs	L9	Deep Sink Base	E8	Library Molding	K6
Base Angle Revolving	E16	Deluxe Full-Width Trays	C12	Locking Device - Full Extension Heavy Duty Under Mount SoftAction+ Guides	L3
Base Blind Corner	E18	Deluxe Trays	C12	Locking Device - Full Extension Under Mount SoftAction+ Guides	L3
Base Box	E21	Dentil Molding	K4		
Base Butt Door - Full Extension Tray	E2	Depth Modification	C10	M	
Base Column	E21	Desk Door	H1	Matching Base End Panel	E20
Base Column Fluted	E21	Desk Drawer	H1	Matching Desk End Panel	H3
Base Combination Four Drawer	E4	Desk End Panel Contoured	H3	Matching Interior	C14
Base Corner Angle Butt Full-Height	E12	Desk File Drawer	H2	Matching Tall End Panel	F8
Base Corner Fixed Shelf	E14	Desk Knee Drawer	H2	Matching Vanity End Panel	G12
Base Corner Revolving	E15	Desk Knee Drawer Trimmable	H2	Matching Wall End Panel	D19
Base Corner Revolving Wood Lazy Susan	E15	Dishwasher Panel	E11	Medicine Cabinet	G11
Base Deep Tray Kit	J6	Door and Frame Assembly Sales Samples	L16	Medicine Cabinet Pack Hinge	L6
Base Deep Tray Kit - Side Mount Full Extension	J7	Door Insert Retaining Strip	L9	Message Center Wall	D14
Base Double Door	E1	Door Pantry Rack	F3	Mirror Molding	K6
Base Double Door Full-Height	E3	Door Spice Rack	D26	Molding Stack Information	K1
Base End Angle Full-Height	E13	Door Stop Kit	L8	Mullion Glass Door	C13
Base End Corner Full-Height	E12	Door Storage Angle	D17		
Base End Panel	E20	Door Storage Unit	D17	N	
Base End Panel Filler	E23	Drawer Front	C14	Narrow Batten Molding	K6
Base Filler	E23	Drawer Organizer Kit Narrow	E29		
Base Filler Corner	E24	Drawer Organizer Kit Wide	E30	O	
Base Filler Corner Overlay	E25	Drawer Partition Kit	E29	Open Cube Organizer	D27
Base Filler Pull-Out	E25	Drop-In Range Panel	E11	Organizer	H4
Base Floating Plumbing Skirt True	E8			Oven Cabinet Single	F4
Base Fluted Filler	E24	E		Oven Cabinet Support Platform	F5
Base Four Drawer	E4	Edge Banding	L9	Oven Cabinet Universal	F5
Base Lazy Susan	E16	Empire Light Rail	K5	Oven Drawer Kit	F5
Base Microwave Cabinet	E10				
Base Oven Cabinet Universal	E10	F		P	
Base Pots and Pans Storage	E3	Face Mount Hinge	L5	Panel Backer 3' Tall-Paper	J1
Base Pull-Out	E3	Fill Stick	L13	Panel Backer 3' Tall-Veneer	J2
Base Replacement Shelves	E26	Filler Angle	D23, E24, G14	Panel Backer-Paper	J1
Base Single Door	E1	Filler Overlay	D24, E25, F9, G13	Panel Backer-Veneer	J1
Base Single Door Full-Height	E2	Floating Shelves	D18	Pantry Cabinet Butt Door	F2
Base Swing-Out Shelves	E28	Fluted Filler Angle	D23, E24, G14	Pegged Deep Drawer Organizer	E30
Base Three Door	E2	Full Depth Shelf	C10	Peninsula Base Butt Door Blind Corner	E19
Base Three Drawer	E4	Full Extension Heavy Duty Under Mount SoftAction+ Guide Set	L3	Peninsula Base Double Door	E5
Base Tray Kit - Double Faced, Standard	J6	Full Extension Side Mount Ball Bearing Guide Kit	L2	Peninsula Base Single Door	E5
Base Tray Kit - Standard	J5	Full Extension Side Mount Ball Bearing Guides	L2	Peninsula Base Single Door Blind Corner	E19
Base Wastebasket Floor Mount Kit Double	E27	Full Extension Under Mount SoftAction+ Guide Kit	L2	Peninsula Wall Angle	D8
Base Wastebasket Floor Mount Kit Single	E27	Full Extension Under Mount SoftAction+ Guides	L3	Peninsula Wall Blind Corner	D8
Base Wastebasket Top Mount	E2	Full Extension Under Mount SoftAction+ Peninsular Base Guide Kit	L2	Peninsula Wall Double Door	D3
Base Wastebasket Top Mount Kit	E27	Full Overlay 6 Way Hinge	L5	Peninsula Wall Single Door	D3
Bi-Fold Hinge	L5	Furniture Base	K5	Plain Square Post	K11
Bookcase Cabinets	D11	Furniture End Panels	F7	Prairie Glass Door	C13
		Furniture Shelf Kit	J4		
C					
Cabinet Care Kit	L13				
Cabinet Cleaning and Polishing Cloths	L13				

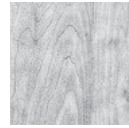
ITEM	PAGE	ITEM	PAGE	ITEM	PAGE
Q					
Quarter Round Molding	K6	Tall Utility Cabinet 12" Deep	F1	Vanity Linen Cabinet	G5
R					
Radius Cabinet Molding	K7	Tall Utility Cabinet 24" Deep	F2	Vanity Linen Cabinet Tall	G6
Range Hood Blower and Light Unit	D16	Tapered Foot	K11	Vanity Replacement Shelves	G15
Range Hood Front	D15	Tapered Leg Base	K12	Vanity Sink Base Double Bowl	G7
Rear Adjustment Adapter - Full Extension		Toe Kick Backer	E32	Vanity Sink Base Double Door	G7
Heavy Duty Under Mount SoftAction+ Guides	L5	Toe Kick Cover - Laminate	E32, F12, G16, H4	Vanity Sink Base Two Drawer Double Door	G8
Rear Mounting Bracket - 3/4 Extension Side		Toe Kick Cover - Veneer	E32, F12, G16, H4	Vanity Sink Base Two Drawer Four Door	G8
Mount Roller Guides	L3	Toeboard/Valance	J4	Vanity Sink Base Two Drawer Three Door	G8
Rear Mounting Bracket - 3/4 Extension Side		Touch Up Kit	L14	Vanity Tray Kit	J7
Mount Roller Guides Peninsula Base	L4	Touch Up Pen	L14	Vanity Tray Kit - Space Saver	J8
Rear Mounting Bracket - Full Extension Side		Touch Up Quart	L14	Vanity Wall - 4 3/4" Deep	G10
Mount Ball Bearing Guides	L4	Touch Up Spray Can Primer	L14	Vanity Wall Boutique - 7" Deep	G10
Rear Mounting Bracket - Full Extension		Touch Up Spray Can Topcoat	L14	Vanity Wall Boutique - 8" Deep	G10
Under Mount SoftAction+ Guides	L4	Traditional Light Rail	K9	Vanity Wall Recessed	G11
Rear Mounting Bracket - Full Extension		Traditional Overlay 6 Way Hinge	L6	Vent Clip Pack	L8
Under Mount SoftAction+ Guides DKD	L4	Tri-View Medicine Cabinet	G11	Void Toe Kick	C14
Rear Mounting Bracket - Full Extension		U			
Under Mount SoftAction+ Guides Peninsula Base	L4	Under Cabinet Corner Shelf	D18	Wall Angle Single Door	D5
Refrigerator End Panel	F7	Under Cabinet Molding	K9	Wall Blind Corner Double Door	D7
Removable Sink Front Double Door	E9	Under Cabinet Shelf	D18	Wall Blind Corner Single Door	D7
Roll-Out Trays - Solid Wood	J9	Under Sink Tote	E31	Wall Box	D21
Rope Molding	K7	Universal Access Panel	J2	Wall China Display	D12
S					
Sales Door	L16	Universal Base Blind Corner	I3	Wall Column Fluted	D21
Scribe Cove Molding	K7	Universal Base Corner Revolving	I4	Wall Corner Angle	D14
Scribe Molding	K7	Universal Base Double Door	I2	Wall Double Door	D2
Shelf Kits	J3	Universal Base Double Door - Full-Height	I2	Wall Easy Reach	D4
Shelf Support Back Pack	L7	Universal Base Lazy Susan	I4	Wall End Corner	D13
Shelf Support Center	L7	Universal Base Microwave Cabinet	I4	Wall End Panel	D19
Shelf Support Pack	L7	Universal Base Single Door	I1	Wall Filler	D22
Shelf Top and Bottom	J4	Universal Base Single Door - Full-Height	I1	Wall Filler Corner	D23
Shoe Molding	K8	Universal Base Sink Front - Full-Height	I5	Wall Fluted Filler	D22
Single Bead Pilaster	K8	Universal Base Sink Front Cabinet Kit - Full-Height	I5	Wall Hood Blower	D15
Single Bead Trim	K8	Universal Base Table Butt Door	I2	Wall Hood Classic Chimney Plain	D15
Sink Base Angle	E17	Universal Base Three Drawer	I2	Wall Hood Liner	D16
Sink Base Double Door	E7	Universal Base Toe Kick Cover - Laminate	I7	Wall Lattice	D12
Sink Base Double Door Full-Height	E7	Universal Base Toe Kick Cover - Veneer	I7	Wall Microwave Cabinet	D9
Sink Base Single Door	E6	Universal Floating Sink Base	I6	Wall Microwave Shelf	D10
Sink Base Single Door Full-Height	E7	Universal Removable Sink Front Double Doors	I6	Wall Microwave Shelf Cabinet	D9
Sink Front Angle	E17	Universal Sink Base Single Door	I5	Wall Pull-Out Filler	D24
Sink Front Angle Full-Height	E17	Utility Tray Hinge	L6	Wall Refrigerator	D2
Sink Front Bottom	E28	Utility Tray Kit	E31	Wall Replacement Shelves	D25
Sink Front Diagonal Bottom	E28	V			
Sink Front Double Door	E8	V- Groove Panel	J2	Wall Single Door	D1
Sink Front Double Door Full-Height	E9	Valance Raised Panel	D20	Wincott Corbel	K12
Sink Front Single Door	E8	Valance Shaker	D20	Wine Storage Cabinet	D12
Sink Front Single Door Full-Height	E9	Valance Traditional	D20	Wire Tray Divider Kit	E31
Sliding Towel Bar - Chrome	E30	Vanity Base Double Door	G1	Wire Tray Divider Roll-Out	E31
Soffit Crown Molding	K8	Vanity Base Double Door Full-Height	G2		
Soft-close Angle Restrictor Clip	L9	Vanity Base Four Door Full-Height	G3		
SoftAction Door Hardware	L10	Vanity Base Single Door	G1		
Solid Wood Stock	K8	Vanity Base Single Door Full-Height	G2		
Solid Wood Wall End Open Shelf	D12	Vanity Base Three Door Full-Height	G3		
Spice Drawer Insert Kit	E30	Vanity Combination Drawer Eight Drawer	G5		
Spice Drawer Organizer	D27	Double Door	G5		
Spindles	K11	Vanity Combination Drawer Eight Drawer	G4		
Standard and Wood Full-Width Trays	C11	Single Door	G4		
Standard and Wood Trays	C11	Vanity Combination Drawer Six Drawer	G4		
Starter Molding	K9	Double Door	G5		
Stem Glass Holder	D27	Vanity Combination Drawer Six Drawer	G4		
Swing-Out Pantry Rack	F3	Single Door	G4		
T					
Tall End Panel	F6	Vanity Combination Drawer Three Drawer	G4		
Tall End Panel Filler	F10	Vanity Combination Drawer Two Drawer	G4		
Tall Filler	F9, G14	Vanity Deep Tray Kit	J10		
Tall Fluted Filler	F9, G14	Vanity Deep Tray Kit - Space Saver	J10		
Tall Replacement Shelves	F11	Vanity Drawer Four Drawer	G3		
		Vanity Drawer Three Drawer	G3		
		Vanity Filler	G13		
		Vanity Floating Plumbing Skirt True	G9		
		Vanity Fluted Filler	G13		
		Vanity Hamper Roll-Out	G16		



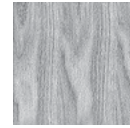
Cherry



Hickory



Maple



Oak

Wood Species

Cherry is a rich multi-colored hardwood, often used in fine furniture. In its raw state, cherry has pinkish-brown hues with occasional shades of white, green, pink or grey. It may also contain small knots, pin holes and cherry fissures. A cherry fissure is a small crack that occurs naturally in the wood; it will not get bigger over time. Natural or light stains accent the color variations and characteristics in cherry, while dark stains soften its complexity. All cherry wood naturally darkens or “mellows” with age.

Hickory is a strong, open-grained wood that is known for its flowing grain pattern and dramatic variation in color. Hickory often contains random pecks, burls and mineral streaks. A single hickory door might vary from light to deep brown when finished in a natural stain, but these very characteristics make each hickory kitchen unique.

Laminate is a Medium Density Fiberboard (MDF) with a thermo plastic polymer wrap that covers the face, back, and inside edges of the door or drawer front rails, stiles, and panels. The ends of door stiles and drawer fronts are edge banded to match the wrapping material.

Maple is a strong wood that is primarily off-white in its raw state. However, maple sometimes contains light hues of yellow-brown and pink as well as light tan or reddish-tinged streaks that darken with stain. Typically straight-grained, maple can be wavy or even curly. Hard maple offers more uniformity than other wood types, making it ideal for living spaces that feature a clean, streamlined appearance. *

Oak is a strong, open-grained wood that ranges in color from white to yellow to reddish brown. Oak is sometimes streaked with green, yellow or black mineral deposits.

Textured Laminate doors are vertical wood grain laminate Medium Density Fiberboard (MDF), edgebanded, with a solid color coordinating melamine back.

Thermofoil doors provide a uniform look from door to door. Thermofoil material is applied to Medium Density Fiberboard (MDF) using an intense heat and pressure-bonding process.

Note: Prolonged exposure to tobacco smoke will discolor finishes, and this side effect is not covered under warranty.

Door Styles by Price Column

Col	Door Styles	Code
1	Glen Arbor Oak Square	GNA.RO.S
	Spring Valley Oak Square	SVL.RO.S
2	Glen Arbor Maple Square	GNA.MPS
	Spring Valley Maple Square	SVL.MPS
3	Marlin Maple Square	MRL.MPS
	Spring Valley Hickory Square	SVL.HK.S
4	Lanielle Textured Laminate	LNE.TL.B
	Ralston Maple Square	RAL.MPS
	Vance Laminate Square	VNC.LM.S
5	Glen Arbor Cherry Square	GNA.CH.S
	Seneca Ridge Oak Arch	SNR.RO.A
	Seneca Ridge Oak Square	SNR.RO.S
	Spring Valley Cherry Square	SVL.CH.S
6	Portrait Oak Square	PRT.RO.S
	Ralston Cherry Square	RAL.CH.S
7	Fusion Maple Slab	FSN.MPB
	Glenrock Maple	GRK.MPS
	Portrait Maple Square	PRT.MPS
	Rowan Maple Square	RWN.MPS
	Seneca Ridge Maple Arch	SNR.MPA
	Seneca Ridge Maple Square	SNR.MPS
	Tolani Oak Square	TLN.RO.S
	Whitebay II Thermofoil Square	WHB.TH.S
8	Fox Harbor Maple Square	FXR.MPS
	Sutton Cliffs Oak Square	STC.RO.S
	Tolani Maple Square	TLN.MPS
9	Sutton Cliffs Hickory Square	STC.HK.S
	Sutton Cliffs Maple Square	STC.MPS
10	Avenue Maple Square	AVE.MPS
	Portrait Cherry Square	PRT.CH.S
	Rowan Cherry Square	RWN.CH.S
	Seneca Ridge Cherry Arch	SNR.CH.A
	Seneca Ridge Cherry Square	SNR.CH.S
11	Fox Harbor Cherry Square	FXR.CH.S
	Tolani Cherry Square	TLN.CH.S
12	Avenue Cherry Square	AVE.CH.S
13	Somerton Hill Maple Square	SMH.MPS
	Somerton Hill Maple Arch	SMH.MPA
14	LaBelle Maple Square 5	LBL.MPS.5
	Sutton Cliffs Cherry Square	STC.CH.S
15	Somerton Hill Cherry Arch	SMH.CH.A
	Somerton Hill Cherry Square	SMH.CH.S
16	LaBelle Cherry Square 5	LBL.CH.S.5

Door Styles Alphabetically

Col	Door Styles	Code
12	Avenue Cherry Square	AVE.CH.S
10	Avenue Maple Square	AVE.MPS
11	Fox Harbor Cherry Square	FXR.CH.S
8	Fox Harbor Maple Square	FXR.MPS
7	Fusion Maple Slab	FSN.MPB
5	Glen Arbor Cherry Square	GNA.CH.S
2	Glen Arbor Maple Square	GNA.MPS
1	Glen Arbor Oak Square	GNA.RO.S
7	Glenrock Maple	GRK.MPS
16	LaBelle Cherry Square	LBL.CH.S
14	LaBelle Maple Square	LBL.MPS
4	Lanielle Textured Laminate	LNE.TL.B
3	Marlin Maple Square	MRL.MPS
10	Portrait Cherry Square	PRT.CH.S
7	Portrait Maple Square	PRT.MPS
6	Portrait Oak Square	PRT.RO.S
6	Ralston Cherry Square	RAL.CH.S
4	Ralston Maple Square	RAL.MPS
10	Rowan Cherry Square	RWN.CH.S
7	Rowan Maple Square	RWN.MPS
10	Seneca Ridge Cherry Arch	SNR.CH.A
10	Seneca Ridge Cherry Square	SNR.CH.S
7	Seneca Ridge Maple Arch	SNR.MPA
7	Seneca Ridge Maple Square	SNR.MPS
5	Seneca Ridge Oak Arch	SNR.RO.A
5	Seneca Ridge Oak Square	SNR.RO.S
15	Somerton Hill Cherry Arch	SMH.CH.A
15	Somerton Hill Cherry Square	SMH.CH.S
13	Somerton Hill Maple Square	SMH.MPS
13	Somerton Hill Maple Arch	SMH.MPA
5	Spring Valley Cherry Square	SVL.CH.S
3	Spring Valley Hickory Square	SVL.HK.S
2	Spring Valley Maple Square	SVL.MPS
1	Spring Valley Oak Square	SVL.RO.S
14	Sutton Cliffs Cherry Square	STC.CH.S
9	Sutton Cliffs Hickory Square	STC.HK.S
9	Sutton Cliffs Maple Square	STC.MPS
8	Sutton Cliffs Oak Square	STC.RO.S
11	Tolani Cherry Square	TLN.CH.S
8	Tolani Maple Square	TLN.MPS
7	Tolani Oak Square	TLN.RO.S
4	Vance Laminate Square	VNC.LM.S
7	Whitebay II Thermofoil Square	WHB.TH.S

Avenue

Full Overlay

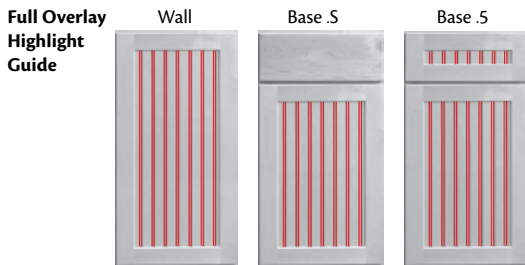
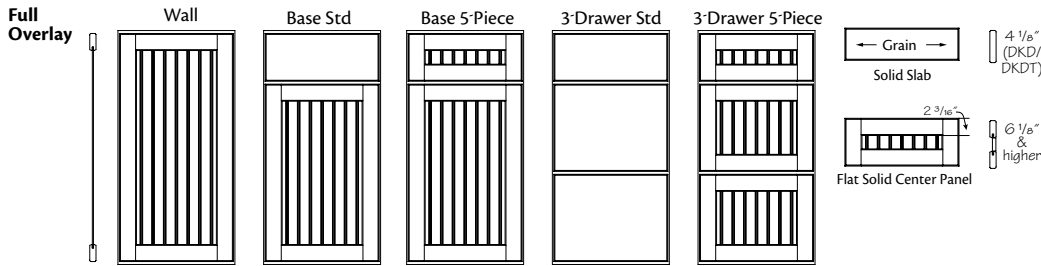
①	②	③	⑧
AVE.CH	.S	.S	
AVE.CH	.S	.5	
AVE.MP	.S	.S	
AVE.MP	.S	.5	

Cherry w/Solid Drawer Front	Price Column 12
Cherry w/5-piece Drawer Front	Price Column 12
Maple w/Solid Drawer Front	Price Column 10
Maple w/5-piece Drawer Front	Price Column 10

- Solid wood door frame with 2 3/16" stiles and rails
- Recessed flat veneer center panel door with v-grooves on 1 1/2" centers
- Doors and drawers have a 90° return with no reverse bevel
- Concealed hinge
- Hardware is required



When a painted door is specified, the drawer front, door stiles, door rails and/or door center panel may be constructed of a paint-grade substrate. A paint-grade substrate is a material that helps provide resistance to warping, expansion and contraction.



Avenue Inserts

● Upcharge

	Avenue Cherry w/Solid Drawer Front	Avenue Cherry w/5-piece Drawer Front	Avenue Maple w/Solid Drawer Front	Avenue Maple w/5-piece Drawer Front
Glass Door/Prep for Glass	●	●	●	●
Mullion Glass Door/Prep for Glass	●	●	●	●
Prairie Glass Door/Prep for Glass	●	●	●	●

Avenue Finishes

- ◆ Available as Standard
- Upcharge

	Avenue Cherry w/Solid Drawer Front	Avenue Cherry w/5-piece Drawer Front	Avenue Maple w/Solid Drawer Front	Avenue Maple w/5-piece Drawer Front
Amaretto	◆	◆		
Amaretto w/Java Highlight		●		
Basalt			◆	◆
Boardwalk			◆	◆
Chiffon			●	●
Chiffon w/Desert Highlight				●
Chiffon w/Tuscan Highlight				●
Cotton			●	●
Cotton w/Java Highlight				●
Cotton w/Tuscan Highlight				●
Dusk			◆	◆
Graphite			●	●
Graphite w/Desert Highlight				●
Graphite w/Tuscan Highlight				●
Kona			◆	◆
Mist			●	●
Mist w/Desert Highlight				●
Mist w/Tuscan Highlight				●
Natural			◆	◆
Natural w/Java Highlight				●
Nightfall			●	●
Nightfall w/Ebony Highlight			●	●
Pecan	◆	◆	◆	◆
Sable			◆	◆
Sable w/Ebony Highlight				●
Shale			●	●
Shale w/Desert Highlight				●
Shale w/Ebony Highlight				●
Steel Grey			◆	◆
Toffee			◆	◆
Toffee w/Java Highlight				●

Fox Harbor

Full Overlay

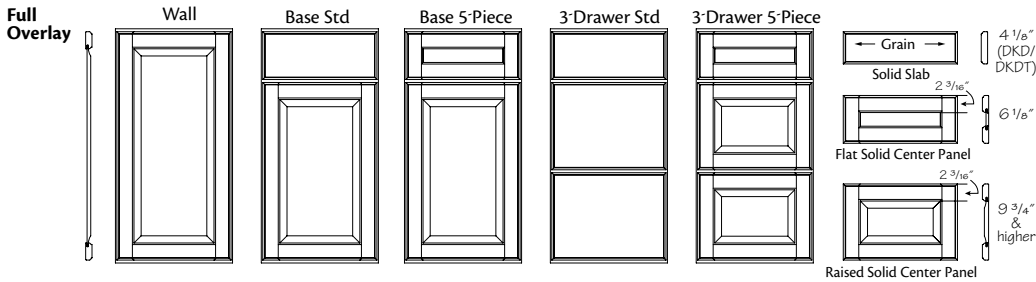
① ② ③ ⑧

FXR .CH .S .S	Cherry w/Solid Drawer Front	Price Column 11
FXR .CH .S .5	Cherry w/5-piece Drawer Front	Price Column 11
FXR .MP .S .S	Maple w/Solid Drawer Front	Price Column 8
FXR .MP .S .5	Maple w/5-piece Drawer Front	Price Column 8

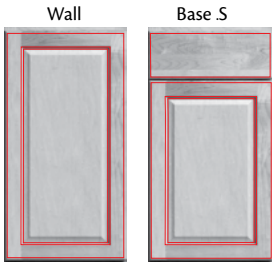


When a painted door is specified, the drawer front, door stiles, door rails and/or door center panel may be constructed of a paint-grade substrate. A paint-grade substrate is a material that helps provide resistance to warping, expansion and contraction.

- Solid wood door frame with 2 3/16" stiles and rails
- Wood veneer, raised center panel door
- Doors and drawer fronts have a 90° return with no reverse bevel
- Optional 5-piece drawer front has 2 3/16" stiles and rails. The 6 1/8" tall 5-piece front has a recessed panel; 5-piece fronts 9 3/4" tall and taller will have a solid wood raised panel. Drawer fronts 4 1/8" tall or less are solid
- Concealed hinge
- Hardware is required



Full Overlay Highlight Guide



Fox Harbor Finishes

- ◆ Available as Standard
- Upcharge

	Fox Harbor Cherry w/Solid Drawer Front	Fox Harbor Cherry w/5-piece Drawer Front	Fox Harbor Maple w/Solid Drawer Front	Fox Harbor Maple w/5-piece Drawer Front
Amaretto	ARNON	◆	◆	
Amaretto w/Java Highlight	ARJVZ	●	●	
Basalt	BANON		◆	◆
Boardwalk	BWNON		◆	◆
Chiffon	CHNON		●	●
Chiffon w/Desert Highlight	CHDSZ		●	●
Chiffon w/Tuscan Highlight	CHTNZ		●	●
Cotton	CTNON		●	●
Cotton w/Java Highlight	CTJVZ		●	●
Cotton w/Tuscan Highlight	CTTNZ		●	●
Dusk	DSNON		◆	◆
Graphite	GPNON		●	●
Graphite w/Desert Highlight	GPDSZ		●	●
Graphite w/Tuscan Highlight	GPTNZ		●	●
Kona	KONON		◆	◆
Mist	MSNON		●	●
Mist w/Desert Highlight	MSDSZ		●	●
Mist w/Tuscan Highlight	MSTNZ		●	●
Natural	NANON		◆	◆
Natural w/Java Highlight	NAJVZ		●	●
Nightfall	NFNON		●	●
Nightfall w/Ebony Highlight	NFEBZ		●	●
Pecan	PCNON	◆	◆	◆
Sable	SBNON		◆	◆
Sable w/Ebony Highlight	SBEBZ		●	●
Shale	SENON		●	●
Shale w/Desert Highlight	SEDSZ		●	●
Shale w/Ebony Highlight	SEEBZ		●	●
Steel Grey	SGNON		◆	◆
Toffee	TFNON		◆	◆
Toffee w/Java Highlight	TFJVZ		●	●

Fox Harbor Inserts

● Upcharge

	Fox Harbor Cherry w/Solid Drawer Front	Fox Harbor Cherry w/5-piece Drawer Front	Fox Harbor Maple w/Solid Drawer Front	Fox Harbor Maple w/5-piece Drawer Front
Glass Door/Prep for Glass	●	●	●	●
Mullion Glass Door/Prep for Glass	●	●	●	●
Prairie Glass Door/Prep for Glass				

Fusion

Full Overlay

① ② ③ ⑧

FSN .MP .B .S

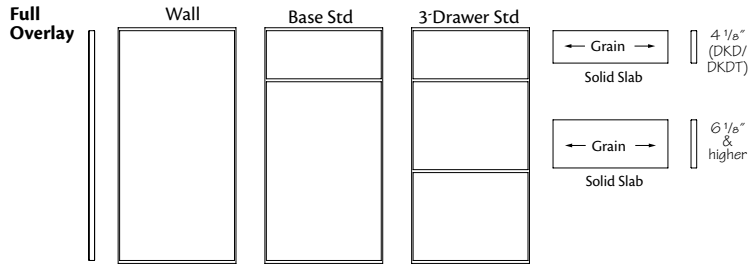
Maple w/Solid Drawer Front

Price Column 7



When a painted door is specified, the drawer front, door stiles, door rails and/or door center panel may be constructed of a paint-grade substrate. A paint-grade substrate is a material that helps provide resistance to warping, expansion and contraction.

- Doors have vertical grain; drawer fronts have horizontal grain
- Doors and drawer fronts have an engineered wood core with wood veneer on front and back
- Doors and drawer fronts have a 90° return and are veneer edgebanded
- Wall glass doors feature solid wood stiles and rails
- Concealed hinge
- Hardware is required



Fusion Inserts

● Upcharge

	Fusion Maple w/Solid Drawer Front
●	Glass Door/Prep for Glass
■	Mullion Glass Door/Prep for Glass
■	Prairie Glass Door/Prep for Glass

Fusion Finishes

❖ Available as Standard

● Upcharge

		Fusion Maple w/Solid Drawer Front
❖	Basalt BANON	❖
❖	Boardwalk BWNON	❖
●	Chiffon CHNON	●
●	Cotton CTNON	●
❖	Dusk DSNON	❖
●	Graphite GPNON	●
❖	Kona KONON	❖
●	Mist MSNON	●
❖	Natural NANON	❖
●	Nightfall NFNON	●
❖	Pecan PCNON	❖
❖	Sable SBNON	❖
●	Shale SENON	●
❖	Steel Grey SGNON	❖
❖	Toffee TFNON	❖

Glen Arbor

Traditional Overlay

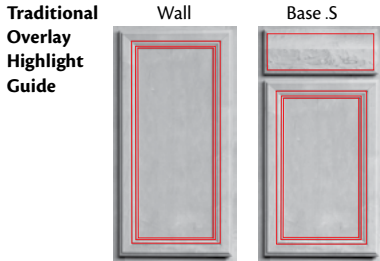
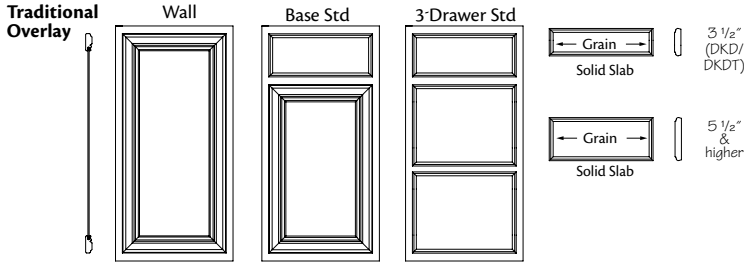
- ①
- ②
- ③
- ⑧

GNA .CH	.S	.S	Cherry w/Solid Drawer Front	Price Column 5
GNA .MP	.S	.S	Maple w/Solid Drawer Front	Price Column 2
GNA .RO	.S	.S	Red Oak w/Solid Drawer Front	Price Column 1



When a painted door is specified, the drawer front, door stiles, door rails and/or door center panel may be constructed of a paint-grade substrate. A paint-grade substrate is a material that helps provide resistance to warping, expansion and contraction.

- Solid wood, mitered door frame with 2 3/16" stiles and rails
- Recessed flat veneer center panel door
- Doors have a 90° return with no reverse bevel
- Drawers have reverse bevel on top and bottom edge
- Concealed hinge
- Hardware is optional



Glen Arbor Finishes

- ◆ Available as Standard
- Upcharge

Glen Arbor Inserts

- Upcharge

	Glen Arbor Cherry w/Solid Drawer Front	Glen Arbor Maple w/Solid Drawer Front	Glen Arbor Red Oak w/Solid Drawer Front
Glass Door/Prep for Glass	●	●	●
Mullion Glass Door/Prep for Glass	●	●	●
Prairie Glass Door/Prep for Glass			

	Glen Arbor Cherry w/Solid Drawer Front	Glen Arbor Maple w/Solid Drawer Front	Glen Arbor Red Oak w/Solid Drawer Front
Amaretto ARNON	◆		◆
Basalt BANON		◆	
Boardwalk BWNON		◆	
Chiffon CHNON		●	
Chiffon w/Desert Highlight CHDSZ		●	
Chiffon w/Tuscan Highlight CHTNZ		●	
Cotton CTNON		●	
Cotton w/Java Highlight CTJVZ		●	
Cotton w/Tuscan Highlight CTTNZ		●	
Dusk DSNON		◆	
Graphite GPNON		●	
Graphite w/Desert Highlight GPDSZ		●	
Graphite w/Tuscan Highlight GPTNZ		●	
Kona KONON		◆	◆
Mist MSNON		●	
Mist w/Desert Highlight MSDSZ		●	
Mist w/Tuscan Highlight MSTNZ		●	
Natural NANON		◆	◆
Natural w/Java Highlight NAJVZ		●	
Nightfall NFNON		●	
Nightfall w/Ebony Highlight NFEBZ		●	
Pecan PCNON	◆	◆	◆
Sable SBNON		◆	◆
Sable w/Ebony Highlight SBEBZ		●	
Shale SENON		●	
Shale w/Desert Highlight SEDSZ		●	
Shale w/Ebony Highlight SEEBZ		●	
Steel Grey SGNON		◆	
Toffee TFNON		◆	
Toffee w/Java Highlight TFJVZ		●	

New Glenrock

Full Overlay

① ② ③ ⑧

GRK .MP .S .S
GRK .MP .S .5

Maple w/Solid Drawer Front Price Column 7
Maple w/5-piece Drawer Front Price Column 7

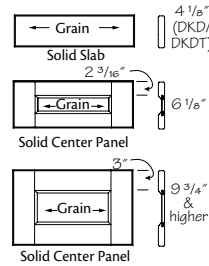
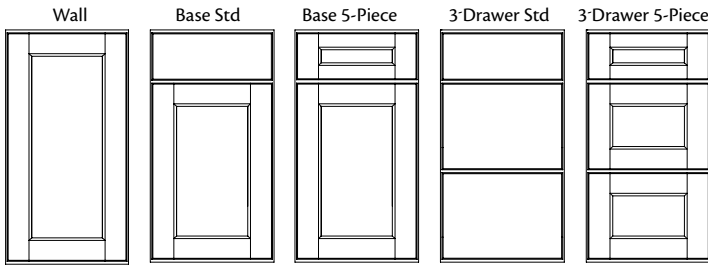
Grey color coding indicates new product, size or code.



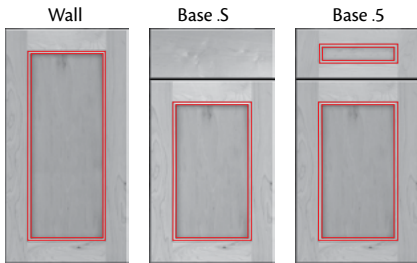
When a painted door is specified, the drawer front, door stiles, door rails and/or door center panel may be constructed of a paint-grade substrate. A paint-grade substrate is a material that helps provide resistance to warping, expansion and contraction.

- Solid wood door frame with 3" stiles and rails
- Recessed flat veneer center panel door
- Doors and drawers have a 90° return with no reverse bevel
- Optional 5-piece drawer front with solid wood 3" stiles and rails, except drawer fronts that are 6 1/8", which have 2 3/16" rails and drawer fronts that are 4 1/8" tall or less, which are solid
- Concealed hinge
- Hardware is required

Full Overlay



Full Overlay Highlight Guide



Glenrock Inserts

● Upcharge

	Glenrock Maple w/Solid Drawer Front	Glenrock Maple w/5-piece Drawer Front
Glass Door/Prep for Glass	●	●
Mullion Glass Door/Prep for Glass		
Prairie Glass Door/Prep for Glass		

Glenrock Finishes

❖ Available as Standard
● Upcharge

		Glenrock Maple w/Solid Drawer Front	Glenrock Maple w/5-piece Drawer Front
Basalt	BANON	❖	❖
Boardwalk	BWNON	❖	❖
Chiffon	CHNON	●	●
Chiffon w/Desert Highlight	CHDSZ	●	●
Chiffon w/Tuscan Highlight	CHTNZ	●	●
Cotton	CTNON	●	●
Cotton w/Java Highlight	CTJVZ	●	●
Cotton w/Tuscan Highlight	CTTNZ	●	●
Dusk	DSNON	❖	❖
Graphite	GPNON	●	●
Graphite w/Desert Highlight	GPDSZ	●	●
Graphite w/Tuscan Highlight	GPTNZ	●	●
Kona	KONON	❖	❖
Mist	MSNON	●	●
Mist w/Desert Highlight	MSDSZ	●	●
Mist w/Tuscan Highlight	MSTNZ	●	●
Natural	NANON	❖	❖
Natural w/Java Highlight	NAJVZ	●	●
Nightfall	NFNON	●	●
Nightfall w/Ebony Highlight	NFEBZ	●	●
Pecan	PCNON	❖	❖
Sable	SBNON	❖	❖
Sable w/Ebony Highlight	SBEBZ	●	●
Shale	SENON	●	●
Shale w/Desert Highlight	SEDSZ	●	●
Shale w/Ebony Highlight	SEEBZ	●	●
Steel Grey	SGNON	❖	❖
Toffee	TFNON	❖	❖
Toffee w/Java Highlight	TFJVZ	●	●

LaBelle

Full Overlay

① ② ③ ⑧

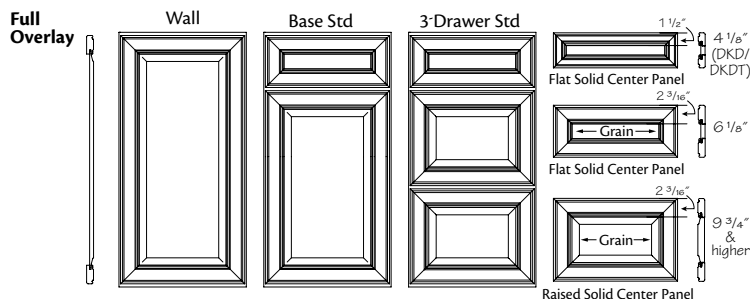
LBL .CH .S .5
LBL .MP .S .5

Cherry w/5-piece Drawer Front
Maple w/5-piece Drawer Front

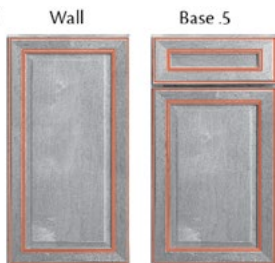
Price Column 16
Price Column 14



When a painted door is specified, the drawer front, door stiles, door rails and/or door center panel may be constructed of a paint-grade substrate. A paint-grade substrate is a material that helps provide resistance to warping, expansion and contraction.



Full Overlay
Highlight
Guide



LaBelle Inserts

● Upcharge

	LaBelle Cherry w/5-piece Drawer Front	LaBelle Maple w/5-piece Drawer Front
Glass Door/Prep for Glass	●	●
Mullion Glass Door/Prep for Glass		
Prairie Glass Door/Prep for Glass		

- Solid wood, mitered door frame with 2 3/16" stiles and rails
- Solid wood, raised center panel door
- Doors and drawers have a 90° return with no reverse bevel
- 5-piece mitered drawer front
- Solid wood drawer frame with 2 3/16" stiles and rails, except drawer fronts 4 1/8" tall or less, which have 1 1/2" stiles and rails
- Standard 6 1/8" drawer fronts have 2 3/16" stiles and rails with a solid wood flat recessed center panel
- Drawer fronts 9 3/4" tall or greater have 2 3/16" stiles and rails with a solid wood raised center panel
- Concealed hinge
- Hardware is required

LaBelle Finishes

- ❖ Available as Standard
- Upcharge

	Amaretto	ARNON	❖	
	Amaretto w/Java Highlight	ARJZ	●	
	Basalt	BANON		❖
	Boardwalk	BWNON		❖
	Chiffon	CHNON		●
	Chiffon w/Desert Highlight	CHDSZ		●
	Chiffon w/Tuscan Highlight	CHTNZ		●
	Cotton	CTNON		●
	Cotton w/Java Highlight	CTJVZ		●
	Cotton w/Tuscan Highlight	CTTNZ		●
	Dusk	DSNON		❖
	Graphite	GPNON		●
	Graphite w/Desert Highlight	GPDSZ		●
	Graphite w/Tuscan Highlight	GPTNZ		●
	Kona	KONON		❖
	Mist	MSNON		●
	Mist w/Desert Highlight	MSDSZ		●
	Mist w/Tuscan Highlight	MSTNZ		●
	Natural	NANON		❖
	Natural w/Java Highlight	NAJVZ		●
	Nightfall	NFNON		●
	Nightfall w/Ebony Highlight	NFEBZ		●
	Pecan	PCNON	❖	
	Sable	SBNON		❖
	Sable w/Ebony Highlight	SBEBZ		●
	Shale	SENON		●
	Shale w/Desert Highlight	SEDSZ		●
	Shale w/Ebony Highlight	SEEBZ		●
	Steel Grey	SGNON		❖
	Toffee	TFNON		❖
	Toffee w/Java Highlight	TFJVZ		●

Lanielle

Full Overlay



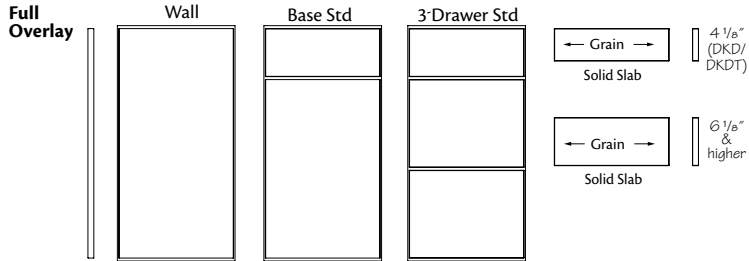
LNE .TL .B .S

Textured Laminate Price Column 4



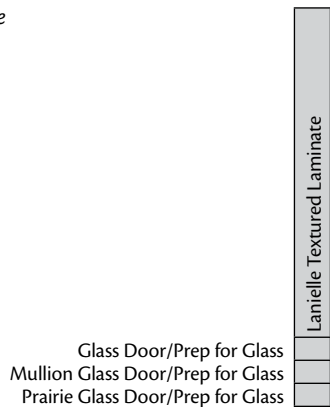
Cabinet box, including frame and most accessories will be either Dusk stain to coordinate with Textured Laminate (TL) Cavern finish; or Mist paint to coordinate with Textured Laminate (TL) Whisper finish; select accessories will be offered in matching Textured Laminate (TL) materials (refer to individual items for specific details)

- Textured Laminate Medium Density Fiberboard (MDF) slab door and drawer fronts with vertical grain look
- Doors and drawers have a 90° edgebanded return with no reverse bevel
- Matching glass door and prep for insert **not** available. Please see Replacement Parts>Hardware section for Laminate Aluminum Accessory Glass Door and Prep for Glass Door for specifics
- Concealed hinge
- Hardware is required



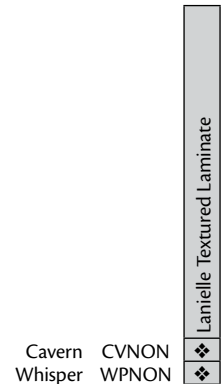
Lanielle Inserts

● Upcharge



Lanielle Finishes

❖ Available as Standard
● Upcharge



Marlin

Traditional Overlay

① ② ③ ⑧

MRL.MP .S .S Maple w/Solid Drawer Front Price Column 3
MRL.MP .S .5 Maple w/5-piece Drawer Front Price Column 3

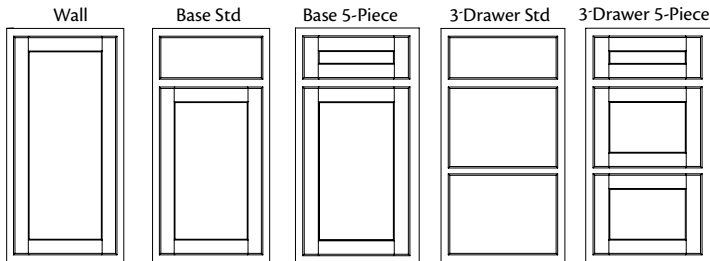
Grey color coding indicates new product, size or code.



When a painted door is specified, the drawer front, door stiles, door rails and/or door center panel may be constructed of a paint-grade substrate. A paint-grade substrate is a material that helps provide resistance to warping, expansion and contraction.

- Solid hardwood door frame with 2" stiles and rails
- Recessed, flat veneer center panel
- Top and bottom edges of doors and drawers have a 15° reverse bevel
- Optional 5-piece drawer front with solid wood 2" stiles and rails, except drawer fronts that are 3 1/2" tall or less, which are solid
- Concealed hinge
- Hardware is optional

Traditional Overlay



Marlin Inserts

● Upcharge

	Marlin Maple w/Solid Drawer Front	Marlin Maple w/5-piece Drawer Front
Glass Door/Prep for Glass	●	●
Mullion Glass Door/Prep for Glass	■	■
Prairie Glass Door/Prep for Glass	□	□

Marlin Finishes

❖ Available as Standard

● Upcharge

	Marlin Maple w/Solid Drawer Front	Marlin Maple w/5-piece Drawer Front
Basalt	BANON	❖
Boardwalk	BWNON	❖
Chiffon	CHNON	●
Cotton	CTNON	●
Dusk	DSNON	❖
Graphite	GPNON	●
Kona	KONON	❖
Mist	MSNON	●
Natural	NANON	❖
Nightfall	NFNON	●
Pecan	PCNON	❖
Sable	SBNON	❖
Shale	SENON	●
Steel Grey	SGNON	❖
Toffee	TFNON	❖

Portrait

Full Overlay

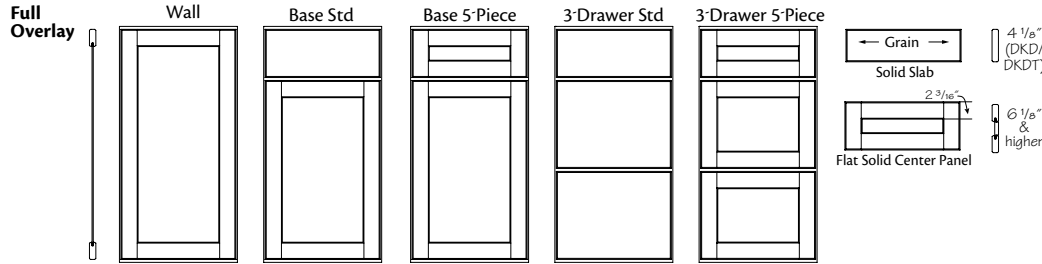
- ①
- ②
- ③
- ⑧

PRT .CH .S .S	Cherry w/Solid Drawer Front	Price Column 10
PRT .CH .S .5	Cherry w/5-piece Drawer Front	Price Column 10
PRT .MP .S .S	Maple w/Solid Drawer Front	Price Column 7
PRT .MP .S .5	Maple w/5-piece Drawer Front	Price Column 7
PRT .RO .S .S	Red Oak w/Solid Drawer Front	Price Column 6

- Solid wood door frame with 2 3/16" stiles and rails
- Recessed flat veneer center panel door
- Doors and drawers have a 90° return with no reverse bevel
- Optional 5-piece drawer front with solid wood 2 3/16" stiles and rails, except drawer fronts that are 4 1/8" tall or less, which are solid. **Not** available on Red Oak door styles
- Concealed hinge
- Hardware is required



When a painted door is specified, the drawer front, door stiles, door rails and/or door center panel may be constructed of a paint-grade substrate. A paint-grade substrate is a material that helps provide resistance to warping, expansion and contraction.



Portrait Inserts

● Upcharge

	Portrait Cherry w/Solid Drawer Front	Portrait Cherry w/5-piece Drawer Front	Portrait Maple w/Solid Drawer Front	Portrait Maple w/5-piece Drawer Front	Portrait Red Oak w/Solid Drawer Front
Glass Door/Prep for Glass	●	●	●	●	●
Mullion Glass Door/Prep for Glass					
Prairie Glass Door/Prep for Glass	●	●	●	●	●

Portrait Finishes

❖ Available as Standard
● Upcharge

	Portrait Cherry w/Solid Drawer Front	Portrait Cherry w/5-piece Drawer Front	Portrait Maple w/Solid Drawer Front	Portrait Maple w/5-piece Drawer Front	Portrait Red Oak w/Solid Drawer Front
Amaretto ARNON	❖	❖			❖
Basalt BANON			❖	❖	
Boardwalk BWNON			❖	❖	
Chiffon CHNON			●	●	
Cotton CTNON			●	●	
Dusk DSNON			❖	❖	
Graphite GPNON			●	●	
Kona KONON			❖	❖	❖
Mist MSNON			●	●	
Natural NANON			❖	❖	
Nightfall NFNON			●	●	
Pecan PCNON	❖	❖	❖	❖	❖
Sable SBNON			❖	❖	❖
Shale SENON			●	●	
Steel Grey SGNON			❖	❖	
Toffee TFNON			❖	❖	

Ralston

Full Overlay

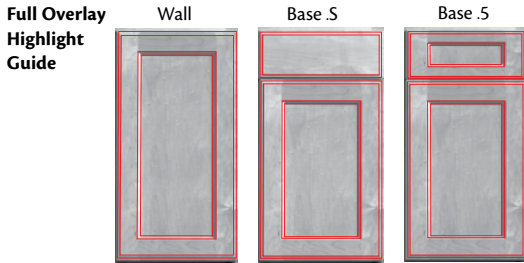
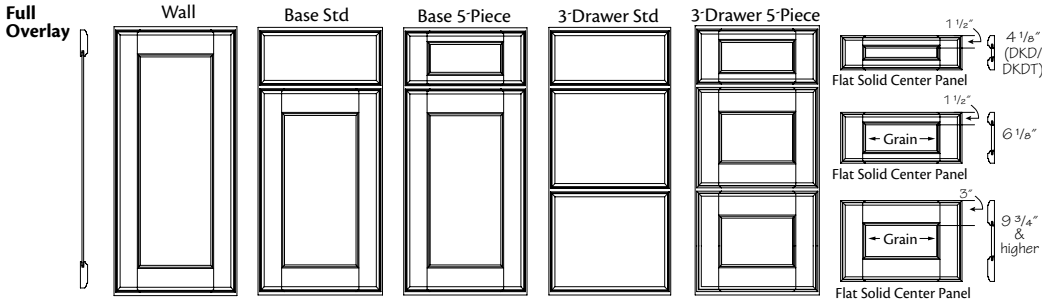
- ① ② ③ ⑧

RAL .CH .S .S	Cherry w/Solid Drawer Front	Price Column 6
RAL .CH .S .5	Cherry w/5-piece Drawer Front	Price Column 6
RAL .MP .S .S	Maple w/Solid Drawer Front	Price Column 4
RAL .MP .S .5	Maple w/5-piece Drawer Front	Price Column 4



When a painted door is specified, the drawer front, door stiles, door rails and/or door center panel may be constructed of a paint-grade substrate. A paint-grade substrate is a material that helps provide resistance to warping, expansion and contraction.

- Solid wood door frame with 3" stiles and rails
- Recessed flat veneer center panel door
- Doors and drawers have a 90° return with no reverse bevel
- Optional 5-piece drawer front with solid wood 3" stiles and 1 1/2" rails, except for 9 3/4" tall or taller, which have 3" rails
- Concealed hinge
- Hardware is required



Ralston Finishes

- ◆ Available as Standard
- Upcharge

Ralston Inserts

- Upcharge

	Ralston Cherry w/Solid Drawer Front	Ralston Cherry w/5-piece Drawer Front	Ralston Maple w/Solid Drawer Front	Ralston Maple w/5-piece Drawer Front
Glass Door/Prep for Glass	●	●	●	●
Mullion Glass Door/Prep for Glass	●	●	●	●
Prairie Glass Door/Prep for Glass				

	Ralston Cherry w/Solid Drawer Front	Ralston Cherry w/5-piece Drawer Front	Ralston Maple w/Solid Drawer Front	Ralston Maple w/5-piece Drawer Front
Amaretto	◆	◆		
Amaretto w/Java Highlight	●	●		
Basalt			◆	◆
Boardwalk			◆	◆
Chiffon			●	●
Chiffon w/Desert Highlight			●	●
Chiffon w/Tuscan Highlight			●	●
Cotton			●	●
Cotton w/Java Highlight			●	●
Cotton w/Tuscan Highlight			●	●
Dusk			◆	◆
Graphite			●	●
Graphite w/Desert Highlight			●	●
Graphite w/Tuscan Highlight			●	●
Kona			◆	◆
Mist			●	●
Mist w/Desert Highlight			●	●
Mist w/Tuscan Highlight			●	●
Natural			◆	◆
Natural w/Java Highlight			●	●
Nightfall			●	●
Nightfall w/Ebony Highlight			●	●
Pecan	◆	◆	◆	◆
Sable			◆	◆
Sable w/Ebony Highlight			●	●
Shale			●	●
Shale w/Desert Highlight			●	●
Shale w/Ebony Highlight			●	●
Steel Grey			◆	◆
Toffee			◆	◆
Toffee w/Java Highlight			●	●

Rowan

Full Overlay

- ① ② ③ ⑧

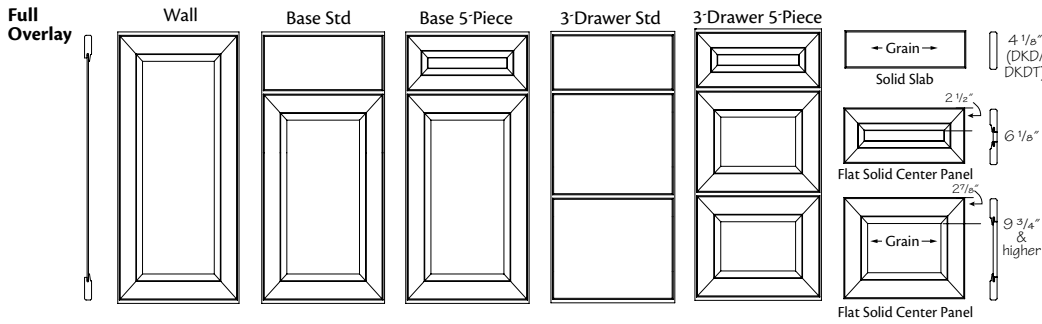
RWN.CH	.S	.S
RWN.CH	.S	.5
RWN.MP	.S	.S
RWN.MP	.S	.5

Cherry Square w/Solid Drawer Front	Price Column 10
Cherry Square w/5-Piece Drawer Front	Price Column 10
Maple Square w/Solid Drawer Front	Price Column 7
Maple Square w/5-Piece Drawer Front	Price Column 7

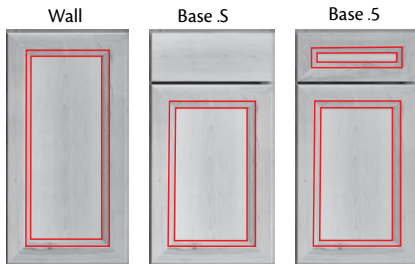
- Solid wood, mitered door frame with 2 7/8" stiles and rails
- Recessed flat veneer center panel door
- Doors and drawer fronts have a 90° return with no reverse bevel
- Optional 5-piece drawer front with 2 1/2" stiles and rails, except drawers that are 9 3/4" tall or taller have 2 7/8" stiles and rails, and drawer fronts 4 1/8" tall or less, which are solid
- Concealed hinge
- Hardware is required



When a painted door is specified, the drawer front, door stiles, door rails and/or door center panel may be constructed of a paint-grade substrate. A paint-grade substrate is a material that helps provide resistance to warping, expansion and contraction.



Full Overlay Highlight Guide



Rowan Inserts

● Upcharge

	Rowan Cherry w/Solid Drawer Front	Rowan Cherry w/5-piece Drawer Front	Rowan Maple w/Solid Drawer Front	Rowan Maple w/5-piece Drawer Front
Glass Door/Prep for Glass	●	●	●	●
Mullion Glass Door/Prep for Glass				
Prairie Glass Door/Prep for Glass				

Rowan Finishes

◆ Available as Standard
● Upcharge

	Rowan Cherry w/Solid Drawer Front	Rowan Cherry w/5-piece Drawer Front	Rowan Maple w/Solid Drawer Front	Rowan Maple w/5-piece Drawer Front
Amaretto	◆	◆		
Amaretto w/Java Highlight	●	●		
Basalt			◆	◆
Boardwalk			◆	◆
Chiffon			●	●
Chiffon w/Desert Highlight			●	●
Chiffon w/Tuscan Highlight			●	●
Cotton			●	●
Cotton w/Java Highlight			●	●
Cotton w/Tuscan Highlight			●	●
Dusk			◆	◆
Graphite			●	●
Graphite w/Desert Highlight			●	●
Graphite w/Tuscan Highlight			●	●
Kona			◆	◆
Mist			●	●
Mist w/Desert Highlight			●	●
Mist w/Tuscan Highlight			●	●
Natural			◆	◆
Natural w/Java Highlight			●	●
Nightfall			●	●
Nightfall w/Ebony Highlight			●	●
Pecan	◆	◆	◆	◆
Sable			◆	◆
Sable w/Ebony Highlight			●	●
Shale			●	●
Shale w/Desert Highlight			●	●
Shale w/Ebony Highlight			●	●
Steel Grey			◆	◆
Toffee			◆	◆
Toffee w/Java Highlight			●	●

Seneca Ridge

Traditional Overlay

① ② ③ ⑧

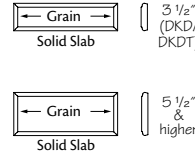
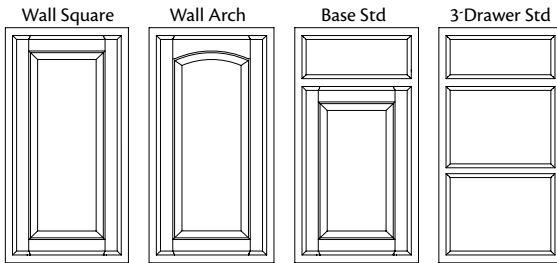
SNR .CH .S .S	Cherry Square w/Solid Drawer Front	Price Column 10
SNR .CH .A .S	Cherry Arch w/Solid Drawer Front	Price Column 10
SNR .MP .S .S	Maple Square w/Solid Drawer Front	Price Column 7
SNR .MP .A .S	Maple Arch w/Solid Drawer Front	Price Column 7
SNR .RO .S .S	Red Oak Square w/Solid Drawer Front	Price Column 5
SNR .RO .A .S	Red Oak Arch w/Solid Drawer Front	Price Column 5

- Solid wood door frame with 2 3/16" stiles and rails
- Wood veneer, raised center panel door
- Arch doors are only available for Wall cabinets and top doors of Tall cabinets
- Top and bottom edges of doors and drawers have a 15° reverse bevel
- Concealed hinge
- Hardware is optional

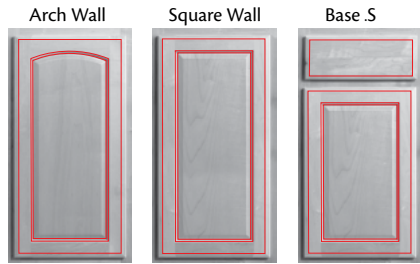


When a painted door is specified, the drawer front, door stiles, door rails and/or door center panel may be constructed of a paint-grade substrate. A paint-grade substrate is a material that helps provide resistance to warping, expansion and contraction.

Traditional Overlay



Traditional Overlay Highlight Guide



Seneca Ridge Finishes

- ❖ Available as Standard
- Upcharge

	Seneca Ridge Square Cherry w/Solid Drawer Front	Seneca Ridge Arch Cherry w/Solid Drawer Front	Seneca Ridge Square Maple w/Solid Drawer Front	Seneca Ridge Arch Maple w/Solid Drawer Front	Seneca Ridge Square Red Oak w/Solid Drawer Front	Seneca Ridge Arch Red Oak w/Solid Drawer Front
Amaretto ARNON	❖	❖			❖	❖
Basalt BANON			❖	❖		
Boardwalk BWNON						
Chiffon CHNON			●	●		
Chiffon w/Desert Highlight CHDSZ			●			
Chiffon w/Tuscan Highlight CHTNZ			●			
Cotton CTNON			●	●		
Cotton w/Java Highlight CTJVZ			●			
Cotton w/Tuscan Highlight CTTNZ			●			
Dusk DSNON			❖			
Graphite GPNON			●	●		
Graphite w/Desert Highlight GPDSZ			●			
Graphite w/Tuscan Highlight GPTNZ			●			
Kona KONON			❖	❖	❖	❖
Mist MSNON			●	●		
Mist w/Desert Highlight MSDSZ			●			
Mist w/Tuscan Highlight MSTNZ			●			
Natural NANON			❖	❖	❖	❖
Natural w/Java Highlight NAJVZ			●			
Nightfall NFNON			●	●		
Nightfall w/Ebony Highlight NFEbz			●			
Pecan PCNON	❖	❖	❖	❖	❖	❖
Sable SBNON			❖	❖	❖	❖
Sable w/Ebony Highlight SBEBZ			●			
Shale SENON			●	●		
Shale w/Desert Highlight SEDSZ			●			
Shale w/Ebony Highlight SEEBZ			●			
Steel Grey SGNON			❖	❖		
Toffee TFNON			❖	❖		
Toffee w/Java Highlight TFJVZ			●			

Seneca Ridge Inserts

- Upcharge

	Seneca Ridge Square Cherry w/Solid Drawer Front	Seneca Ridge Arch Cherry w/Solid Drawer Front	Seneca Ridge Square Maple w/Solid Drawer Front	Seneca Ridge Arch Maple w/Solid Drawer Front	Seneca Ridge Square Red Oak w/Solid Drawer Front	Seneca Ridge Arch Red Oak w/Solid Drawer Front
Glass Door/Prep for Glass	●	●	●	●	●	●
Mullion Glass Door/Prep for Glass	●	●	●	●	●	●
Prairie Glass Door/Prep for Glass						

Somerton Hill

Full Overlay

① ② ③ ⑧

SMH.CH .S .S
SMH.CH .A .S
SMH.MP .S .S
SMH.MP .A .S

Cherry Square w/Solid Drawer Front
 Cherry Arch w/Solid Drawer Front
 Maple Square w/Solid Drawer Front
 Maple Arch w/Solid Drawer Front

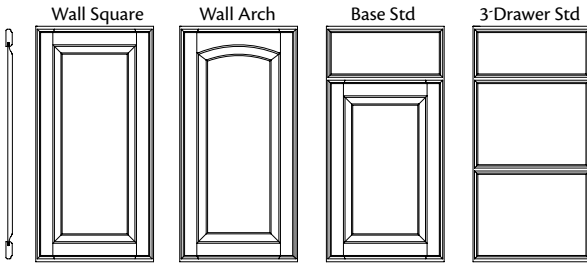
Price Column 15
 Price Column 15
 Price Column 13
 Price Column 13

- Solid wood door frame with 2 3/16" stiles and rails
- Solid wood, raised center panel door
- Arch doors are only available for Wall cabinets and top doors of Tall cabinets
- Doors and drawers have a 90° return with no reverse bevel
- Concealed hinge
- Hardware is required

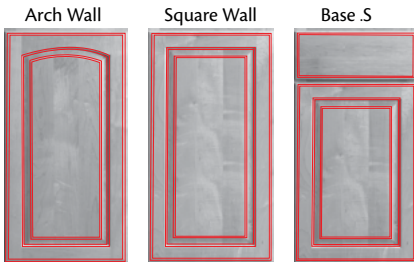


When a painted door is specified, the drawer front, door stiles, door rails and/or door center panel may be constructed of a paint-grade substrate. A paint-grade substrate is a material that helps provide resistance to warping, expansion and contraction.

Full Overlay



Full Overlay Highlight Guide



Somerton Hill Finishes

- ❖ Available as Standard
- Upcharge

	Somerton Hill Square Cherry w/Solid Drawer Front	Somerton Hill Arch Cherry w/Solid Drawer Front	Somerton Hill Square Maple w/Solid Drawer Front	Somerton Hill Arch Maple w/Solid Drawer Front
Amaretto	ARNON	❖		
Amaretto w/Java Highlight	ARJVZ	●	●	
Basalt	BANON		❖	❖
Boardwalk	BWNON		❖	❖
Chiffon	CHNON		●	●
Chiffon w/Desert Highlight	CHDSZ		●	●
Chiffon w/Tuscan Highlight	CHTNZ		●	●
Cotton	CTNON		●	●
Cotton w/Java Highlight	CTJVZ		●	●
Cotton w/Tuscan Highlight	CTTNZ		●	●
Dusk	DSNON		❖	❖
Graphite	GNON		●	●
Graphite w/Desert Highlight	GPDSZ		●	●
Graphite w/Tuscan Highlight	GPTNZ		●	●
Kona	KONON		❖	❖
Mist	MSNON		●	●
Mist w/Desert Highlight	MSDSZ		●	●
Mist w/Tuscan Highlight	MSTNZ		●	●
Natural	NANON		❖	❖
Natural w/Java Highlight	NAJVZ		●	●
Nightfall	NFNON		●	●
Nightfall w/Ebony Highlight	NFEBZ		●	●
Pecan	PCNON	❖	❖	❖
Sable	SBNON		❖	❖
Sable w/Ebony Highlight	SBEHZ		●	●
Shale	SENON		●	●
Shale w/Desert Highlight	SEDSZ		●	●
Shale w/Ebony Highlight	SEEBZ		●	●
Steel Grey	SGNON		❖	❖
Toffee	TFNON		❖	❖
Toffee w/Java Highlight	TFJVZ		●	●

Somerton Hill Inserts

- Upcharge

	Somerton Hill Square Cherry w/Solid Drawer Front	Somerton Hill Arch Cherry w/Solid Drawer Front	Somerton Hill Square Maple w/Solid Drawer Front	Somerton Hill Arch Maple w/Solid Drawer Front
Glass Door/Prep for Glass	●	●	●	●
Mullion Glass Door/Prep for Glass	●	●	●	●
Prairie Glass Door/Prep for Glass				

Spring Valley

Traditional Overlay

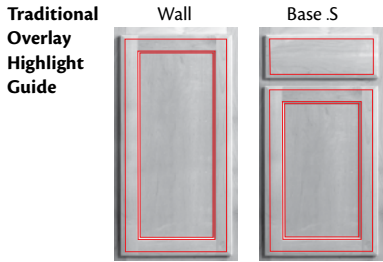
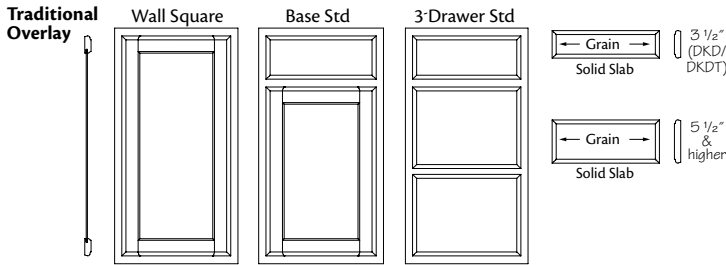
- ① ② ③ ⑧

SVL .CH .S .S	Cherry Square w/Solid Drawer Front	Price Column 5
SVL .HK .S .S	Hickory Square w/Solid Drawer Front	Price Column 3
SVL .MP .S .S	Maple Square w/Solid Drawer Front	Price Column 2
SVL .RO .S .S	Red Oak Square w/Solid Drawer Front	Price Column 1

- Solid wood door frame with 2 3/16" stiles and rails
- Recessed flat veneer center panel door
- Top and bottom edges of doors and drawers have a 15° reverse bevel
- Concealed hinge
- Hardware is optional



When a painted door is specified, the drawer front, door stiles, door rails and/or door center panel may be constructed of a paint-grade substrate. A paint-grade substrate is a material that helps provide resistance to warping, expansion and contraction.



Spring Valley Finishes

- ❖ Available as Standard
- Upcharge

	Spring Valley Cherry w/Solid Drawer Front	Spring Valley Hickory w/Solid Drawer Front	Spring Valley Maple w/Solid Drawer Front	Spring Valley Red Oak w/Solid Drawer Front
Amaretto	ARNON	❖		❖
Basalt	BANON		❖	
Boardwalk	BWNON		❖	
Chiffon	CHNON		●	
Chiffon w/Desert Highlight	CHDSZ		●	
Chiffon w/Tuscan Highlight	CHTNZ		●	
Cotton	CTNON		●	
Cotton w/Java Highlight	CTJVZ		●	
Cotton w/Tuscan Highlight	CTTNZ		●	
Dusk	DSNON		❖	
Graphite	GPNON		●	
Graphite w/Desert Highlight	GPDSZ		●	
Graphite w/Tuscan Highlight	GPTNZ		●	
Kona	KONON		❖	❖
Mist	MSNON		●	
Mist w/Desert Highlight	MSDSZ		●	
Mist w/Tuscan Highlight	MSTNZ		●	
Natural	NANON	❖	❖	❖
Natural w/Java Highlight	NAJVZ		●	
Nightfall	NFNON		●	
Nightfall w/Ebony Highlight	NFEBZ		●	
Pecan	PCNON	❖	❖	❖
Sable	SBNON		❖	❖
Sable w/Ebony Highlight	SBEBZ		●	
Shale	SENON		●	
Shale w/Desert Highlight	SEDSZ		●	
Shale w/Ebony Highlight	SEEBZ		●	
Steel Grey	SGNON		❖	
Toffee	TFNON		❖	
Toffee w/Java Highlight	TFJVZ		●	

Spring Valley Inserts

- Upcharge

	Spring Valley Cherry w/Solid Drawer Front	Spring Valley Hickory w/Solid Drawer Front	Spring Valley Maple w/Solid Drawer Front	Spring Valley Red Oak w/Solid Drawer Front
Glass Door/Prep for Glass	●	●	●	●
Mullion Glass Door/Prep for Glass	●	●	●	●
Prairie Glass Door/Prep for Glass				

Sutton Cliffs

Traditional Overlay

① ② ③ ⑧

STC .CH .S .S
 STC .HK .S .S
 STC .MP .S .S
 STC .RO .S .S

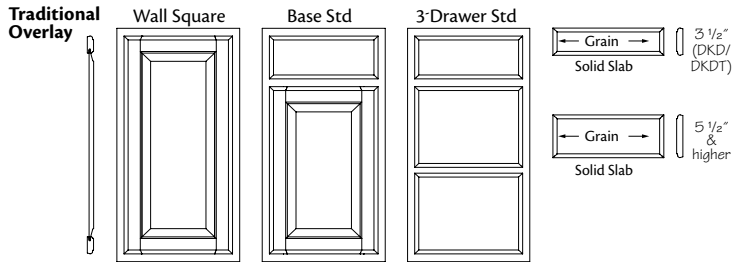
Cherry Square w/Solid Drawer Front
 Hickory Square w/Solid Drawer Front
 Maple Square w/Solid Drawer Front
 Red Oak Square w/Solid Drawer Front

Price Column 14
 Price Column 9
 Price Column 9
 Price Column 8

- Solid wood door frame with 2 3/16" stiles and rails
- Solid wood, raised center panel door
- Top and bottom edges of doors and drawers have a 15° reverse bevel
- Concealed hinge
- Hardware is optional



When a painted door is specified, the drawer front, door stiles, door rails and/or door center panel may be constructed of a paint-grade substrate. A paint-grade substrate is a material that helps provide resistance to warping, expansion and contraction.



Sutton Cliffs Inserts

● Upcharge

	Sutton Cliffs Cherry w/Solid Drawer Front	Sutton Cliffs Hickory w/Solid Drawer Front	Sutton Cliffs Maple w/Solid Drawer Front	Sutton Cliffs Red Oak w/Solid Drawer Front
Glass Door/Prep for Glass	●	●	●	●
Mullion Glass Door/Prep for Glass	●	●	●	●
Prairie Glass Door/Prep for Glass				

Sutton Cliffs Finishes

❖ Available as Standard
 ● Upcharge

	Sutton Cliffs Cherry w/Solid Drawer Front	Sutton Cliffs Hickory w/Solid Drawer Front	Sutton Cliffs Maple w/Solid Drawer Front	Sutton Cliffs Red Oak w/Solid Drawer Front
Amaretto ARNON	❖			❖
Basalt BANON			❖	
Boardwalk BWNON			❖	
Chiffon CHNON			●	
Cotton CTNON			●	
Dusk DSNON			❖	
Graphite GPNON			●	
Kona KONON				❖
Mist MSNON			●	
Natural NANON		❖	❖	❖
Nightfall NFNON			●	
Pecan PCNON	❖			❖
Sable SBNON			❖	❖
Shale SENON			●	
Steel Grey SGNON				
Toffee TFNON			❖	

Tolani

Full Overlay

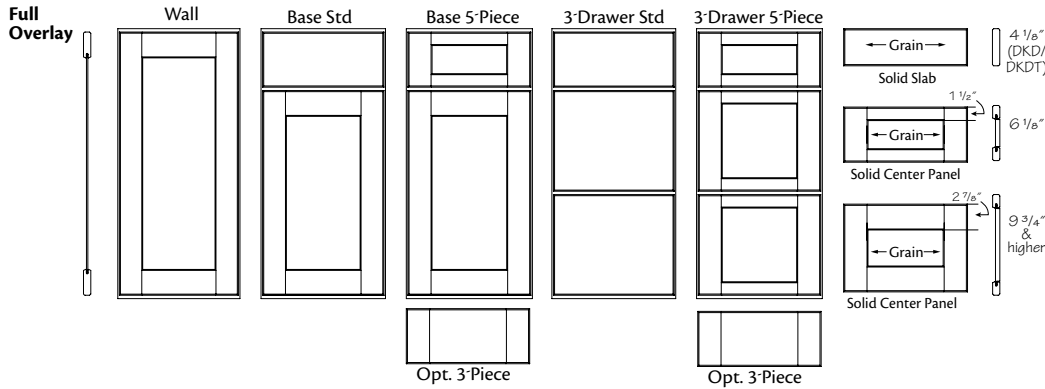
① ② ③ ⑧

TLN .CH .S .S	Cherry w/Solid Drawer Front	Price Column 11
TLN .CH .S .3	Cherry w/3-piece Drawer Front	Price Column 11
TLN .CH .S .5	Cherry w/5-piece Drawer Front	Price Column 11
TLN .MP .S .S	Maple w/Solid Drawer Front	Price Column 8
TLN .MP .S .3	Maple w/3-piece Drawer Front	Price Column 8
TLN .MP .S .5	Maple w/5-piece Drawer Front	Price Column 8
TLN .RO .S .S	Red Oak w/Solid Drawer Front	Price Column 7
TLN .RO .S .3	Red Oak w/3-piece Drawer Front	Price Column 7
TLN .RO .S .5	Red Oak w/5-piece Drawer Front	Price Column 7

- Solid wood door frame with 2 7/8" stiles and rails
- Recessed flat veneer center panel door
- Doors and drawers have a 90° return with no reverse bevel
- Optional 5-piece drawer front frames with 2 7/8" stiles and 1 1/2" rails, except drawer fronts that are 9 3/4" tall or taller have 2 7/8" stiles and rails; drawer fronts 4 1/8" tall or less are solid
- Concealed hinge
- Hardware is required



When a painted door is specified, the drawer front, door stiles, door rails and/or door center panel may be constructed of a paint-grade substrate. A paint-grade substrate is a material that helps provide resistance to warping, expansion and contraction.



Tolani Inserts

● Upcharge

	Tolani Cherry w/Solid Drawer Front	Tolani Cherry w/3-piece Drawer Front	Tolani Cherry w/5-piece Drawer Front	Tolani Maple w/Solid Drawer Front	Tolani Maple w/3-piece Drawer Front	Tolani Maple w/5-piece Drawer Front	Tolani Red Oak w/Solid Drawer Front	Tolani Red Oak w/3-piece Drawer Front	Tolani Red Oak w/5-piece Drawer Front
Glass Door/Prep for Glass	●	●	●	●	●	●	●	●	●
Mullion Glass Door/Prep for Glass	●	●	●	●	●	●	●	●	●
Prairie Glass Door/Prep for Glass	●	●	●	●	●	●	●	●	●

Tolani Finishes

◆ Available as Standard
● Upcharge

	Tolani Cherry w/Solid Drawer Front	Tolani Cherry w/3-piece Drawer Front	Tolani Cherry w/5-piece Drawer Front	Tolani Maple w/Solid Drawer Front	Tolani Maple w/3-piece Drawer Front	Tolani Maple w/5-piece Drawer Front	Tolani Red Oak w/Solid Drawer Front	Tolani Red Oak w/3-piece Drawer Front	Tolani Red Oak w/5-piece Drawer Front
Amaretto ARNON	◆	◆	◆						
Basalt BANON				◆	◆	◆			
Boardwalk BWNON				◆	◆	◆			
Chiffon CHNON				●	●	●			
Cotton CTNON							●		
Dusk DSNON				◆	◆	◆			
Graphite GPNON				●	●	●			
Kona KONON				◆	◆	◆	◆	◆	◆
Mist MSNON				●	●	●			
Natural NANON				◆	◆	◆	◆	◆	◆
Nightfall NFNON				●	●	●			
Pecan PCNON	◆	◆	◆	◆	◆	◆	◆	◆	◆
Sable SBNON				◆	◆	◆	◆	◆	◆
Shale SENON				●	●	●			
Steel Grey SGNON				◆	◆	◆			
Toffee TFNON				◆	◆	◆			

Vance

Full Overlay

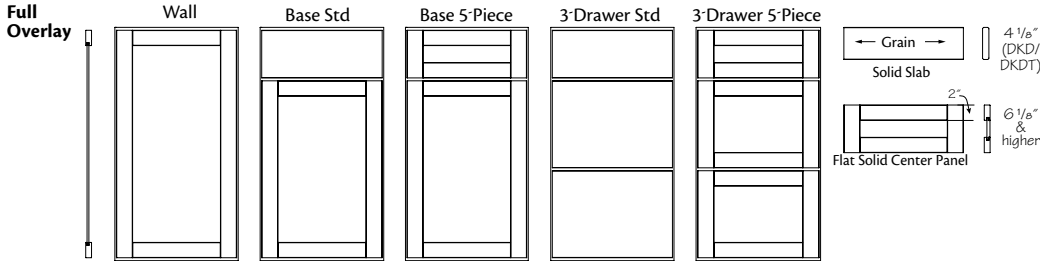
①	②	③	⑧
VNC	.LM	.S	.S
VNC	.LM	.S	.5

Laminate w/Solid Drawer Front Price Column 4
 Laminate w/5-piece Drawer Front Price Column 4



Cabinet box, including frame and most accessories, will be either Cotton paint to coordinate with Laminate (LM) White or Shale paint to coordinate with Laminate (LM) Grey door styles

- 2" wide stiles and rails
- Door rails and stiles are individually wrapped with laminate and assembled using two wood dowels per joint
- 1/4" recessed center panel has laminate applied to a Medium Density Fiberboard (MDF) core
- Solid drawer front is Medium Density Fiberboard (MDF) core with laminate wrap and edge banded along side edges
- Optional 5-piece drawer front frames are 2" stiles and rails, except drawer front 4 1/8" tall or less, which are solid
- Tall doors are a single recessed panel
- Concealed hinge
- Hardware is required



Vance Inserts

● Upcharge

	Vance Laminate w/Solid Drawer Front	
	Vance Laminate w/5-piece Drawer Front	
Glass Door/Prep for Glass	●	●
Mullion Glass Door/Prep for Glass		
Prairie Glass Door/Prep for Glass		

Vance Finishes

❖ Available as Standard
 ● Upcharge

	Vance Laminate w/Solid Drawer Front	
	Vance Laminate w/5-piece Drawer Front	
Grey	GRNON	❖
White	WHNON	❖

Notes

Finishes

End grain surfaces and softer areas of the wood may accept more stain and often appear darker than other surfaces. Since wood is in a constant state of expansion and contraction, visible lines are normal at the joints on the cabinet face frames, doors and 5-piece drawer fronts.

All wood species show some wood grain. The amount of grain will vary by species and finish. Red Oak is an open or coarse grain wood. The grain will telegraph or visibly show through the stain. Maple is a closed or fine grain wood that can have mineral streaks and pin holes. When paint is applied to Maple these beauty marks may remain slightly visible

Finish availability may vary by door style. See Finish Availability chart in desired door style

Stain Finish Process:

Stain is applied for desired color. Next, sealer is applied to protect the finish and prevent warping and cracking of the hardwood. Sealer is then sanded to develop a bonding surface for the topcoat process.

As a final step, a heat activated topcoat is applied to provide a beautiful and durable furniture finish. Finish availability may vary by door style. See Finish Availability Chart

Stain

Available as standard

Finish	Code	WOOD SPECIES			
		Cherry	Hickory	Maple	Red Oak
Amaretto	ARNON	❖			❖
Basalt	BANON			❖	
Boardwalk	BWNON			❖	
Dusk	DSNON			❖	
Kona	KONON			❖	❖
Natural	NANON		❖	❖	❖
Pecan	PCNON	❖		❖	❖
Sable	SBNON			❖	❖
Steel Grey	SGNON			❖	
Toffee	TFNON			❖	

Stain w/Highlight Finish Process:

Stain is applied for desired color. Next, sealer is applied to protect the finish and prevent warping and cracking of the hardwood. Sealer is then sanded to develop a bonding surface for the glazing and topcoat process.

A Highlight is applied by hand, face side only to corner hang-ups and profile recesses depending on door style.

As a final step, a heat activated topcoat is applied to provide a beautiful and durable furniture finish. Finish availability may vary by door style. See Finish Availability Chart

Stain w/Highlight

Available with 15% upcharge

Finish	Code	WOOD SPECIES			
		Cherry	Hickory	Maple	Red Oak
Amaretto w/Java Highlight	ARJVZ	●			
Natural w/Java Highlight	NAJVZ			●	
Sable w/Ebony Highlight	SBEBZ			●	
Toffee w/Java Highlight	TFJVZ			●	

Paint Finish Process:

All paints are formulated to resist yellowing, although all finishes change with time. Our painted finishes consist of two coats of primer, which are oven cured. Next a coat of pigmented opaque enamel is applied; when cured creates a beautiful and durable semi-gloss finish.

Natural wood characteristics such as gum pockets, streaks and pin knots may be visible, particularly with some of our lighter paints. Finish availability may vary by door style. See Finish Availability Chart.

When a painted door is specified, the drawer front, door stiles, door rails and/or door center panel may be constructed of a paint-grade substrate. A paint-grade substrate is a material that helps provide resistance to warping, expansion and contraction.

Note: Self cleaning ovens generate high temperatures which can cause discoloration of painted finishes. To minimize risk, it is recommended that you open doors and drawers adjacent to the oven during cleaning cycles.

Paint

Available with 15% upcharge

Finish	Code	WOOD SPECIES			
		Cherry	Hickory	Maple	Red Oak
Chiffon	CHNON			●	
Cotton	CTNON			●	
Graphite	GPNON			●	
Mist	MSNON			●	
Nightfall	NFNON			●	
Shale	SENON			●	

Paint w/Highlight Finish Process:

After our painting process is complete, Highlight is then hand applied to specific door and drawer front profiles depending on door style and then cured. Finish availability may vary by door style. See Finish Availability Chart

When a painted door is specified, the drawer front, door stiles, door rails and/or door center panel may be constructed of Medium Density Fiberboard (MDF). MDF provides resistance to warping, expansion and contraction.

Paint w/Highlight

Available with 15% upcharge

Finish	Code	WOOD SPECIES			
		Cherry	Hickory	Maple	Red Oak
Chiffon w/Desert Highlight	CHDSZ			●	
Chiffon w/Tuscan Highlight	CHTNZ			●	
Cotton w/Java Highlight	CTJVZ			●	
Cotton w/Tuscan Highlight	CTTNZ			●	
Graphite w/Desert Highlight	GPDSZ			●	
Graphite w/Tuscan Highlight	GPTNZ			●	
Mist w/Desert Highlight	MSDSZ			●	
Mist w/Tuscan Highlight	MSTNZ			●	
Nightfall w/Ebony Highlight	NFEBZ			●	
Shale w/Desert Highlight	SEDSZ			●	
Shale w/Ebony Highlight	SEEBZ			●	

Laminate and Thermofoil Finish Process:

Laminate Door Styles: Door rails and stiles are individually wrapped with laminate. Solid drawer front is medium density fiberwood (MDF) core with laminate wrap and edge banded along side edges. The cabinetry face frame features solid hardwood finished to match the wrapped doors and drawer fronts. While great care has been taken to match the face frame to the doors and drawer fronts, texture and color variations can be expected. Prolonged exposure to tobacco smoke will discolor laminate finishes, and this side effect is not covered under warranty. Finish availability varies by door style.

Thermofoil Door Styles: Heavy gauge vinyl laminate is applied with thermo-pressure to door and drawer front and edges

Textured Laminate Door Styles: Textured laminate applied to the door and drawer fronts through a flat lamination process. All edges are banded with matching edge banding

Note: Self cleaning ovens generate high temperatures which can cause discoloration of painted finishes. To minimize risk, it is recommend that you open doors and drawers adjacent to the oven during cleaning cycles

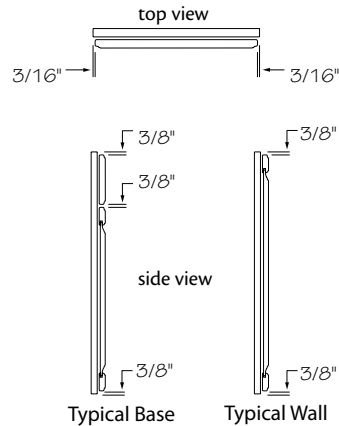
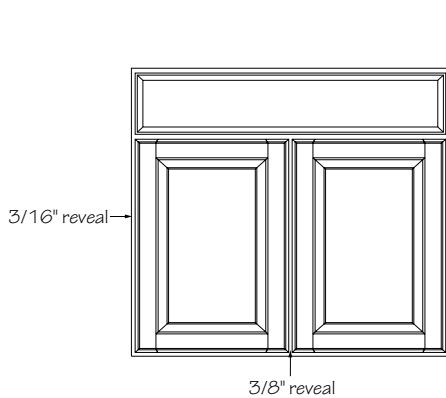
Laminate and Thermofoil

Available as standard

Finish	Code	LAMINATE and FOIL		
		Laminate	Thermofoil	Textured Laminate
Cavern	CVNON			❖
Grey	GRNON	❖		
Whisper	WPNON			❖
White	WHNON	❖	❖	

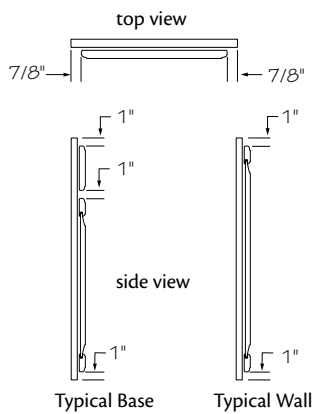
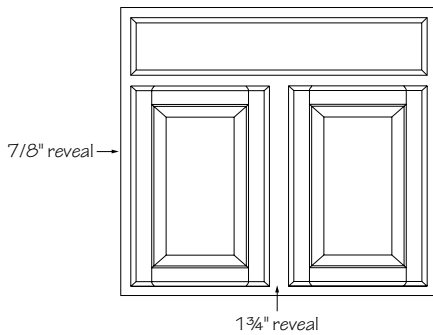
Cabinet Specifications

Full Overlay - Concealed Hinges



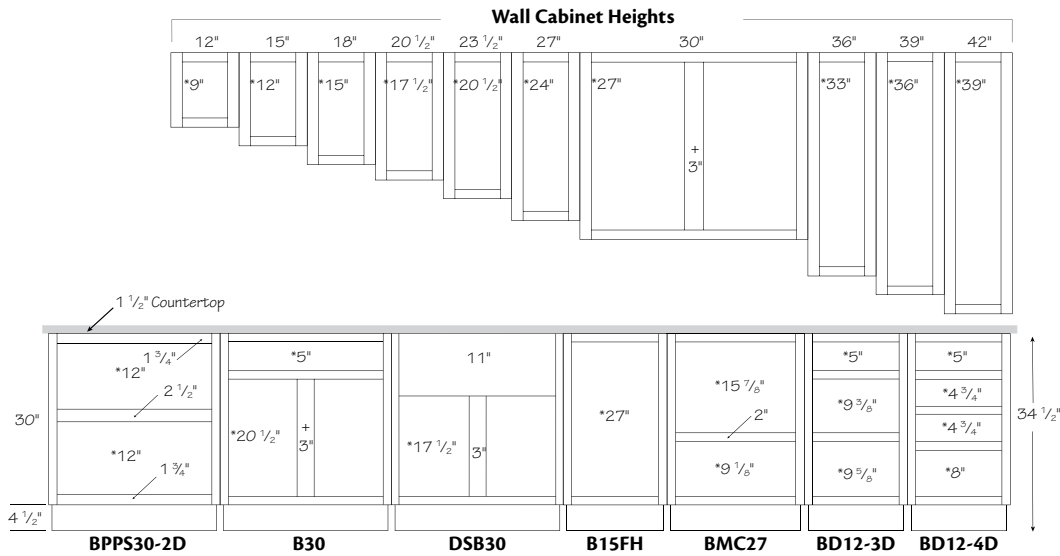
- Full Overlay doors leave 3/16" of the cabinet's face frame exposed on either side of the doors and 3/8" exposed between doors
- Butt door cabinets have 1/8" reveal between doors
- Nickel-finished hinge, 6-way adjustable to allow for perfect alignment
- SoftAction functionality integrated on most cabinets, allows doors to close softly and quietly. See specific models for exception
- The reveals shown here may vary slightly on some cabinets due to actual door/drawer front sizes used
- **Note:** Door styles with square outside edges, including laminate aluminum accessory doors, are unable to be opened simultaneously on adjacent cabinets because the doors will rub together. This is a common occurrence due to the sizing of full overlay doors

Traditional Overlay - Concealed Hinges



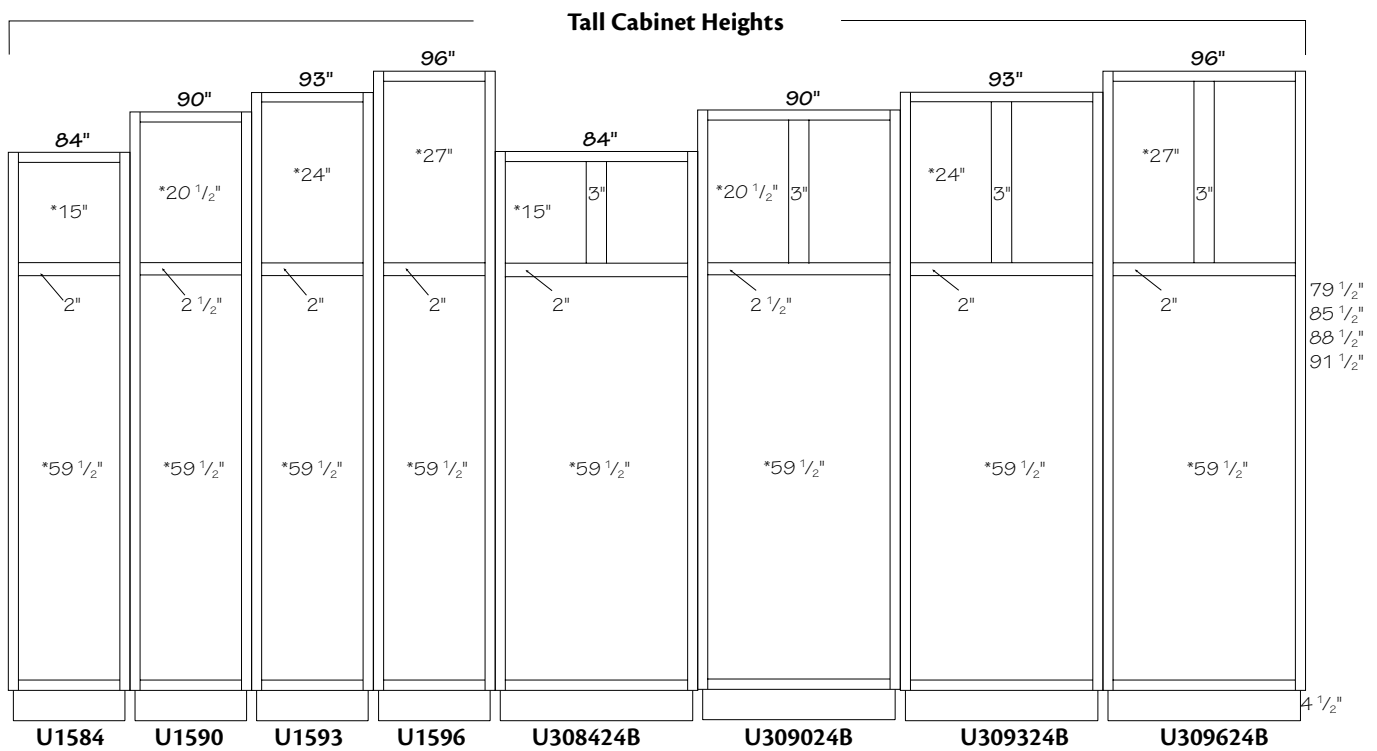
- Traditional overlay doors leave 7/8" of the cabinet's face frame exposed on either side of the doors and 1 3/4" exposed between doors
- Butt door cabinets have 1/8" reveal between doors
- Nickel-finished hinge, 6-way adjustable to allow for perfect alignment
- SoftAction functionality integrated on most cabinets, allows doors to close softly and quietly. See specific models for exception
- The reveals shown here may vary slightly on some cabinets due to actual door/drawer front sizes used

Wall and Base Frame Dimensions



- Vertical opening sizes are preceded by an asterisk (*)
- Stiles and rails are 1 1/2" wide unless otherwise noted
- Unless otherwise noted, depth of cabinets excludes doors
- 3" wide vertical stiles divide double door cabinets, + indicates stiles are removed on butt door cabinets

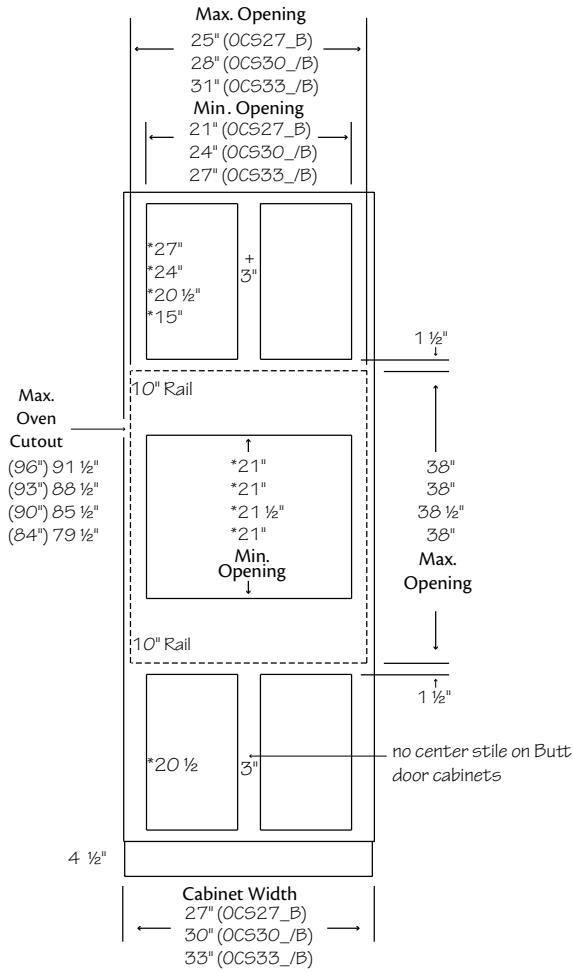
Tall Frame Dimensions



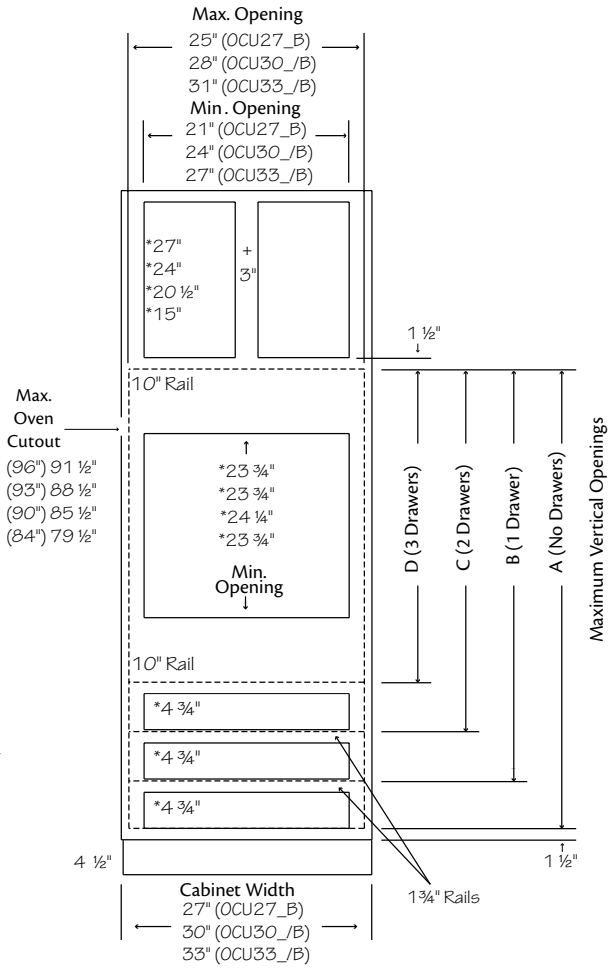
- Vertical opening sizes are preceded by an asterisk (*)
- Stiles and rails are 1 1/2" wide unless otherwise noted
- Unless otherwise noted, depth of cabinets excludes doors
- 3" wide upper vertical stiles divide double door cabinets

Oven Cabinet Frame Dimensions

Oven Cabinet Single (OCS)



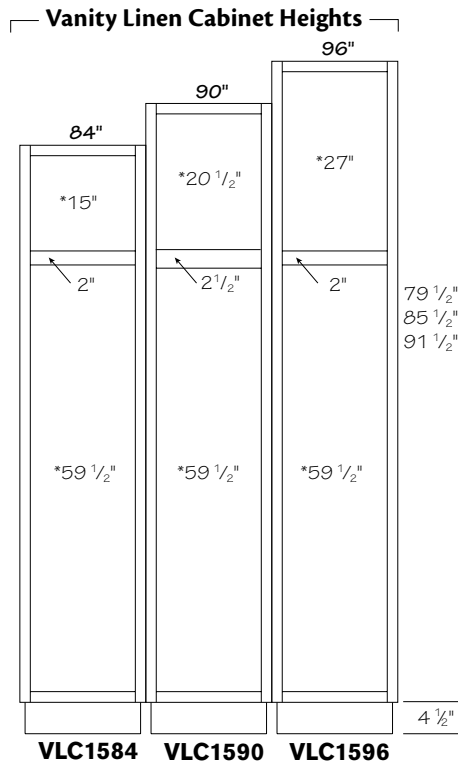
Oven Cabinet Universal (OCU)



Maximum Vertical Openings for (OCU)				
Cabinet Height	A	B	C	D
84"	60"	53 3/4"	47 1/4"	40 3/4"
90"	60 1/2"	54 1/4"	47 3/4"	41 1/4"
93"	60"	53 3/4"	47 1/4"	40 3/4"
96"	60"	53 3/4"	47 1/4"	40 3/4"

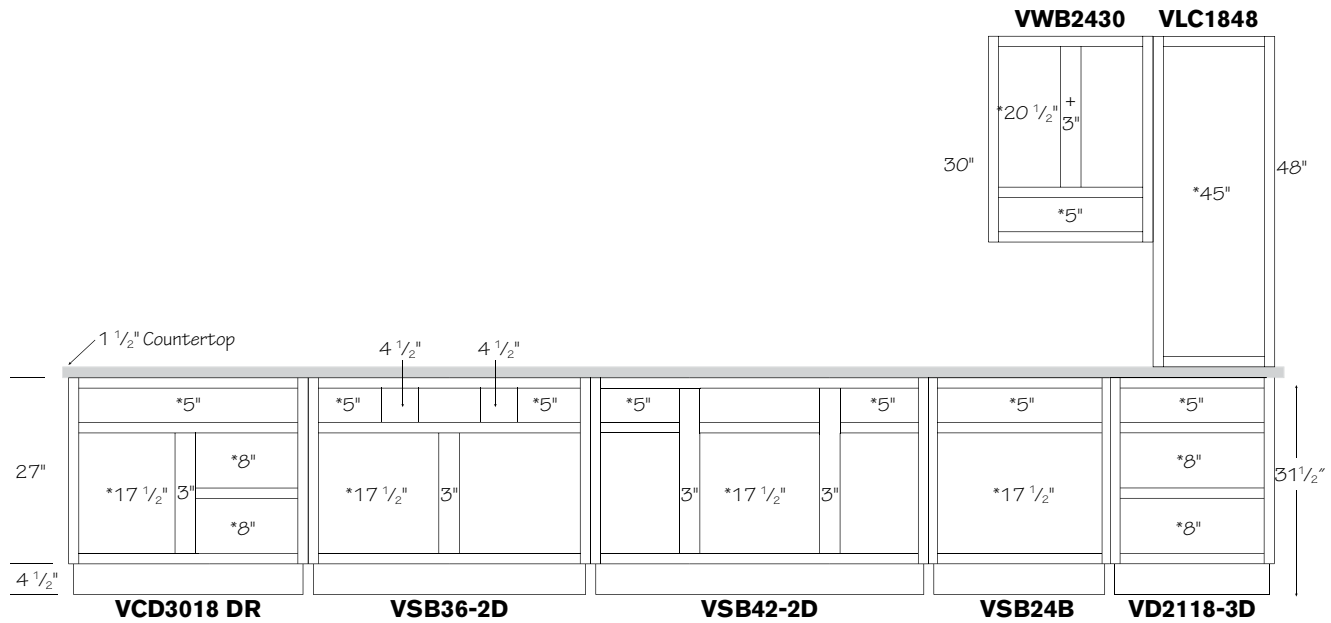
- Vertical opening sizes are preceded by an asterisk (*)
- Stiles and rails are 1 1/2" wide unless otherwise noted
- Unless otherwise noted, depth of cabinets excludes doors
- OCS cabinets with stained finishes have 1 1/2" face frame stiles. Painted finishes have 3" wide, trimmable stiles provide opening width adjustment
- OCU cabinets have 3" wide trimmable full-length vertical stiles that provide opening width adjustment
- Substitute "_" with cabinet's height
- 3" wide vertical stiles divide double door cabinets, + indicates stiles are removed on butt door cabinets

Vanity Tall Dimensions



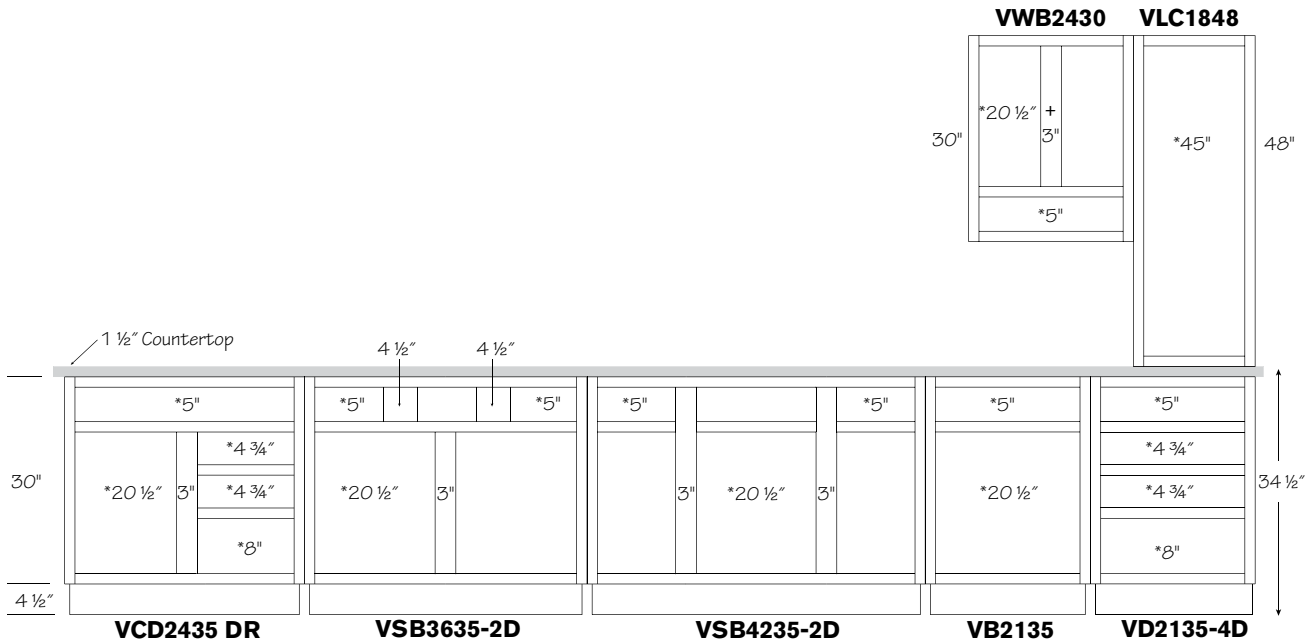
- Vertical opening sizes are preceded by an asterisk (*)
- Stiles and rails are 1 1/2" wide unless otherwise noted
- Unless otherwise noted, depth of cabinets excludes doors

31 1/2" Vanity Frame Dimensions



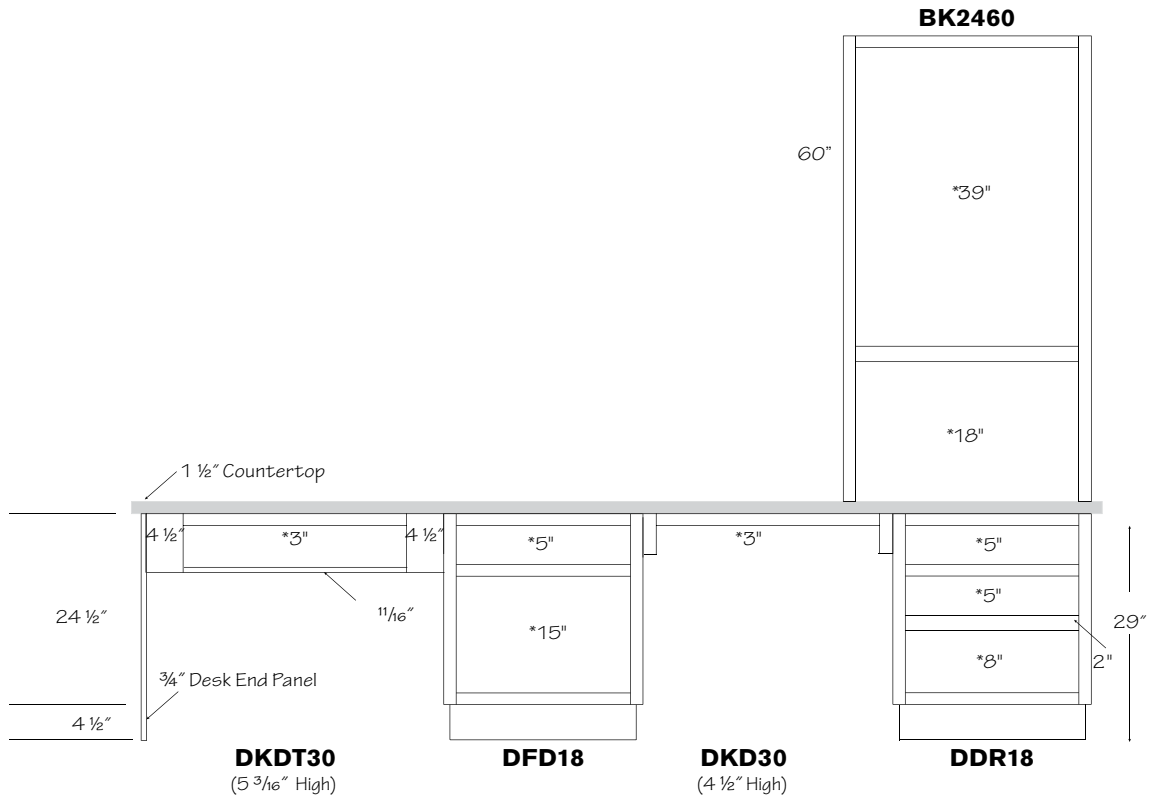
- Vertical opening sizes are preceded by an asterisk (*)
- Stiles and rails are 1 1/2" wide unless otherwise noted
- Unless otherwise noted, depth of cabinets excludes doors
- 3" wide vertical stiles divide double door cabinets, + indicates stiles are removed on butt door cabinets

34 1/2" Vanity Frame Dimensions Item



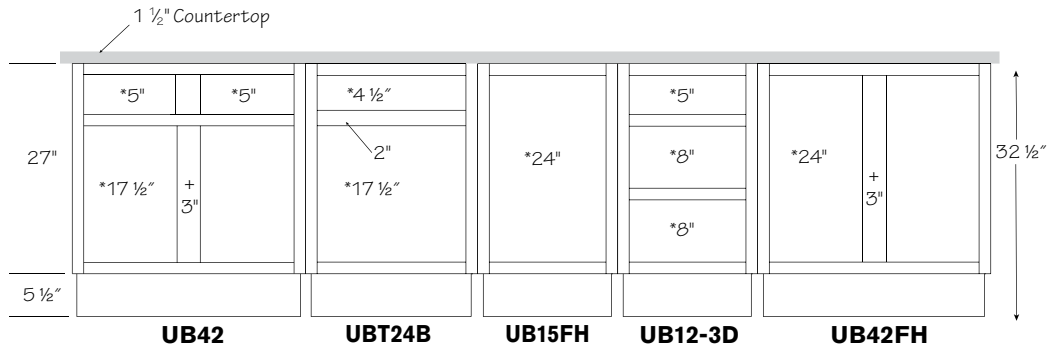
- Vertical opening sizes are preceded by an asterisk (*)
- Stiles and rails are 1 1/2" wide unless otherwise noted
- Unless otherwise noted, depth of cabinets excludes doors
- 3" wide vertical stiles divide double door cabinets, + indicates stiles are removed on butt door cabinets

Office Frame Dimensions



- Vertical opening sizes are preceded by an asterisk (*)
- Stiles and rails are 1 1/2" wide unless otherwise noted
- Unless otherwise noted, depth of cabinets excludes doors

Universal Frame Dimensions



- Vertical opening sizes are preceded by an asterisk (*)
- Stiles and rails are 1 1/2" wide unless otherwise noted
- Unless otherwise noted, depth of cabinets excludes doors
- 3" wide vertical stiles divide double door cabinets, + indicates stiles are removed on butt door cabinets

Construction Options

Construction Options and Modifications

- ❖ Included as standard
- Available with an upcharge
- ☆ Available with exceptions

(Blank) **Not** available

Depending on the door style selected, all cabinet frames shall be constructed of solid hardwood matched to the door and drawer front specifications. All veneered components shall be selected from architectural grade hardwood veneer depending on style selected. Material dimensions may vary slightly based on lumber industry standards.

SST	Construction	-----	⑦	WF	Wood Full-Width Trays	-----	⑩d
SDT	Construction	-----	⑦	FT	Standard Full-Width Trays	-----	⑩d
PST	Construction	-----	⑦	DT	Deluxe Trays	-----	⑩d
PDT	Construction	-----	⑦	DF	Deluxe Full-Width Trays	-----	⑩d
ADT	Construction	-----	⑦	GD	Glass Door	-----	⑩e
9	Depth Modification	-----	⑩b	PG	Prepare for Glass Door	-----	⑩e
12	Depth Modification	-----	⑩b	MG	Mullion Glass Door	-----	⑩e
15	Depth Modification	-----	⑩b	PM	Prepare for Mullion Glass Door	-----	⑩e
18	Depth Modification	-----	⑩b	PR	Prairie Glass Door	-----	⑩e
21	Depth Modification	-----	⑩b	PP	Prepare for Prairie Glass Door	-----	⑩e
24	Depth Modification	-----	⑩b	MI	Matching Interior	-----	⑩f
HDS	Half Depth Shelf	-----	⑩d	CFO	Cabinet Front Only	-----	⑩g
FDS	Full Depth Shelf	-----	⑩d	CSO	Case Only	-----	⑩g
WT	Wood Trays	-----	⑩d	VTK	Void Toe Kick	-----	⑩g
ST	Standard Trays	-----	⑩d				

Cabinet Construction

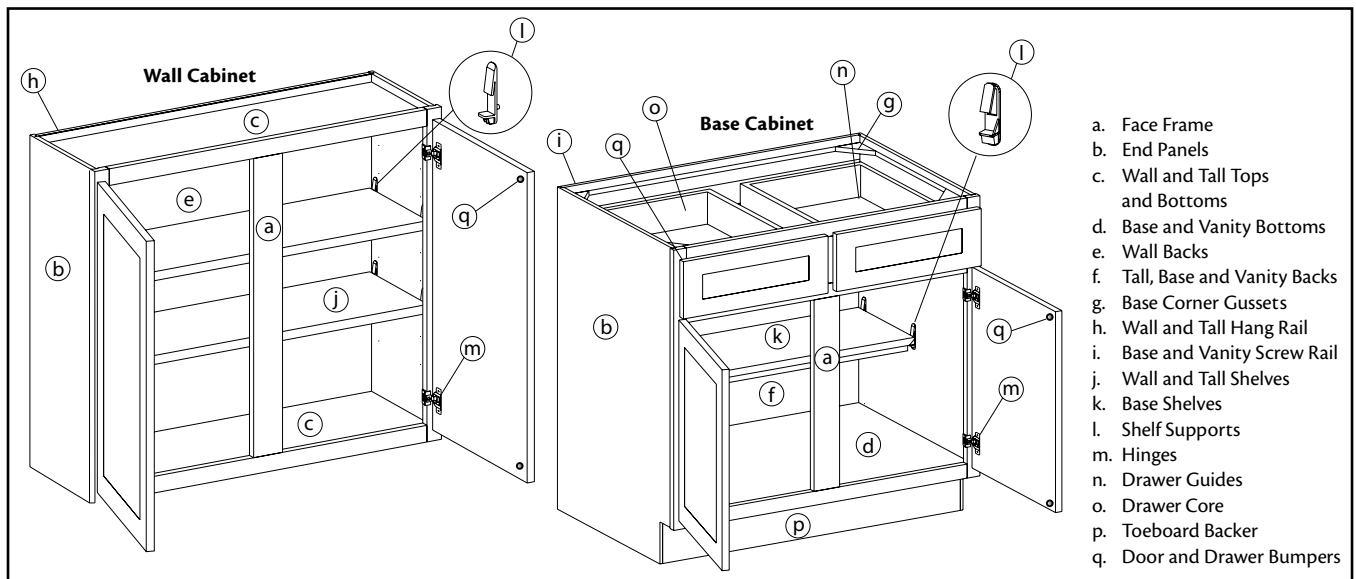
What Is In Some of Our Plywood?

Multiple layers of wood materials, including wood veneers and medium density fiberboard (MDF), are used to create a hybrid product containing the following benefits:

- Improved Strength and Finish Quality: Reduced expansion or contraction, which is better for a smooth, quality finish. This process also produces more rigid product.
- Environmentally Friendly: Supports CARB II standards. (CARB, or California Air Resource Board, is a control measure for reduced formaldehyde emissions from composite wood products).

Regardless of the wood material used in the various applications of our Plywood Construction, you can feel confident that some of the highest quality materials available are used to help ensure durable and long-lasting cabinets.

Note: According to the Department of Commerce, the core of hardwood and decorative plywood consists of a layer or layers of one or more material(s) that are situated between the face and back veneers. The core may be composed of a range of materials, including, but not limited to, veneers, particleboard, engineered wood and medium density fiberboard (MDF).

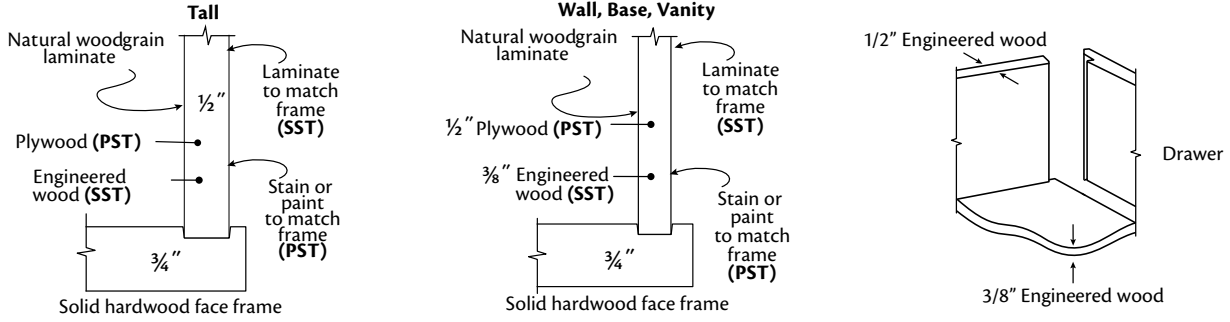


Construction Option Chart

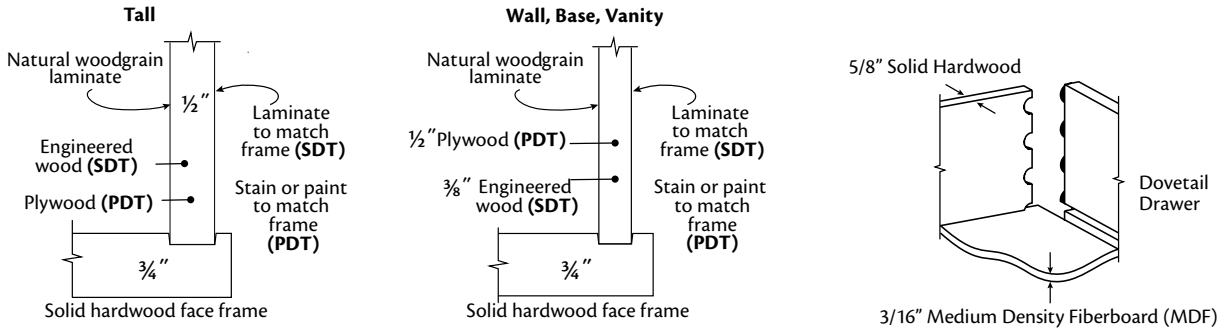
	Standard Construction (SST)	(SST) Details	Standard Construction with Dovetail Drawers (SDT)	(SDT) Details	Standard Construction with Plywood Ends (PST)	(PST) Details	Standard Construction with Plywood Ends and Dovetail Drawers (PDT)	(PDT) Details	All Plywood Construction with Dovetail Drawers (ADT)	(ADT) Details
Face Frame	Solid Hardwood									
Wall, Base and Vanity End Panels	3/8" Engineered Wood	Ext. Finish: laminate to match frame Int. Finish: natural woodgrain laminate	3/8" Engineered Wood	Ext. Finish: laminate to match frame Int. Finish: natural woodgrain laminate	1/2" Plywood	Ext. Finish: stain or paint to match frame Int. Finish: natural woodgrain laminate	1/2" Plywood	Ext. Finish: stain or paint to match frame Int. Finish: natural woodgrain laminate	1/2" Plywood	Ext. Finish: stain or paint to match frame Int. Finish: natural woodgrain laminate
Tall End Panels	1/2" Engineered Wood	Ext. Finish: natural woodgrain laminate Int. Finish: natural woodgrain laminate	1/2" Engineered Wood	Ext. Finish: natural woodgrain laminate Int. Finish: natural woodgrain laminate	1/2" Engineered Wood	Ext. Finish: natural woodgrain laminate Int. Finish: natural woodgrain laminate	1/2" Engineered Wood	Ext. Finish: natural woodgrain laminate Int. Finish: natural woodgrain laminate	1/2" Plywood	Ext. Finish: natural woodgrain laminate Int. Finish: natural woodgrain laminate
Wall and Tall Tops and Bottoms	1/2" Engineered Wood	Ext. Finish: natural woodgrain laminate Int. Finish: natural woodgrain laminate	1/2" Engineered Wood	Ext. Finish: natural woodgrain laminate Int. Finish: natural woodgrain laminate	1/2" Engineered Wood	Ext. Finish: natural woodgrain laminate Int. Finish: natural woodgrain laminate	1/2" Engineered Wood	Ext. Finish: natural woodgrain laminate Int. Finish: natural woodgrain laminate	1/2" Plywood	Ext. Finish: natural woodgrain laminate Int. Finish: natural woodgrain laminate
Base and Vanity Bottoms		Ext. Finish: unfinished Int. Finish: natural woodgrain laminate		Ext. Finish: unfinished Int. Finish: natural woodgrain laminate		Ext. Finish: unfinished Int. Finish: natural woodgrain laminate		Ext. Finish: unfinished Int. Finish: natural woodgrain laminate		
Wall Backs	3/8" Engineered Wood	Ext. Finish: unfinished Int. Finish: natural woodgrain laminate	3/8" Engineered Wood	Ext. Finish: unfinished Int. Finish: natural woodgrain laminate	3/8" Engineered Wood	Ext. Finish: unfinished Int. Finish: natural woodgrain laminate	3/8" Engineered Wood	Ext. Finish: unfinished Int. Finish: natural woodgrain laminate	3/8" Plywood	Ext. Finish: unfinished Int. Finish: natural woodgrain laminate
Hang Rail	3/8" Engineered Wood		3/8" Engineered Wood		3/8" Engineered Wood		3/8" Plywood			
Base and Vanity Backs	1/4" Engineered Wood		1/4" Engineered Wood		1/4" Engineered Wood		1/4" Plywood			
Hang Rail	1/4" Engineered Wood		1/4" Engineered Wood		1/4" Engineered Wood		3/8" Plywood			
Tall Backs	1/4" Engineered Wood (3/8" for PC and U36)	1/4" Engineered Wood (3/8" for PC and U36)	1/4" Engineered Wood (3/8" for PC and U36)	1/4" Engineered Wood (3/8" for PC and U36)	1/4" Engineered Wood (3/8" for PC and U36)	1/4" Engineered Wood (3/8" for PC and U36)	1/4" Engineered Wood (3/8" for PC and U36)	1/4" Plywood (3/8" for PC and U36)	1/4" Plywood (3/8" for PC and U36)	
Base and Vanity I-Beams	1/2" Engineered Wood or Plywood stapled or glued to cabinet corners									
Shelves	3/4" Engineered Wood w/ Clear Polycarbonate Shelf Supports	15lbs per sq. ft load capacity	3/4" Engineered Wood w/ Clear Polycarbonate Shelf Supports	15lbs per sq. ft load capacity	3/4" Engineered Wood w/ Clear Polycarbonate Shelf Supports	15lbs per sq. ft load capacity	3/4" Engineered Wood w/ Clear Polycarbonate Shelf Supports	15lbs per sq. ft load capacity	3/4" Plywood w/ Clear Polycarbonate Shelf Supports	15lbs per sq. ft load capacity
Hinges	Nickel-finished, self-closing, 6-way adjustable hinges with SoftAction functionality									
Drawer Guides	3/4 extension side-mount drawer slide system	75 lb load capacity	Full extension, concealed, undermount slide system with SoftAction+	75 lb load capacity	3/4 extension side-mount drawer slide system	75 lb load capacity	Full extension, concealed, undermount slide system with SoftAction+	75 lb load capacity	Full extension, concealed, undermount slide system with SoftAction+	75 lb load capacity
Drawer Core/ Drawer Bottom	Core: 1/2" Engineered Wood Bottom: 3/8" Engineered Wood		Core: 5/8" Solid Hardwood Bottom: 3/16" Medium Density Fiberboard (MDF)	Drawers 30" and wider have 3/8" solid hardwood cleat for extra support	Core: 1/2" Engineered Wood Bottom: 3/8" Engineered Wood		Core: 5/8" Solid Hardwood Bottom: 3/16" Medium Density Fiberboard (MDF)	Drawers 30" and wider have 3/8" solid hardwood cleat for extra support	Core: 5/8" Solid Hardwood Bottom: 3/16" 3-ply Plywood	Drawers 30" and wider have 3/8" solid hardwood cleat for extra support
Toeboard Backer	3/8" Engineered Wood or 1/2" Plywood Toespace - 4 1/2" tall (Universal is 5 1/2" tall) x 2 25/32" Deep								1/2" Plywood	
Roll-Out Trays	1/2" Engineered or Solid Wood									

Construction Options Diagram

Standard Construction (SST) Plywood Ends with Standard Drawers (PST)



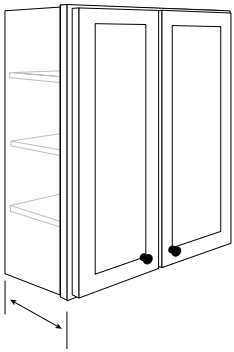
Standard Construction with Dovetail Drawers (SDT) Standard Construction with Plywood Ends and Dovetail Drawers (PDT)



All Plywood Construction with Dovetail Drawers (ADT)



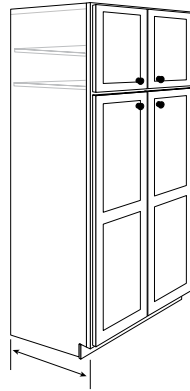
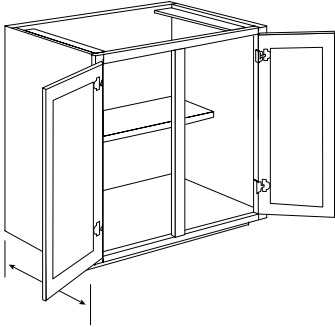
Depth Modification



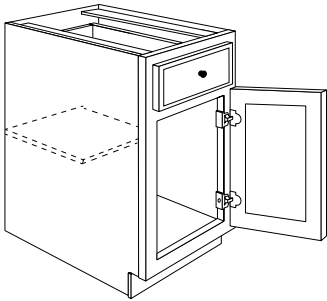
10c
09
12
15
18
21
24

- Some cabinets can be reduced or increased in depth to fit design requirements. See cabinet for availability
- When this option is selected, (CFO) is no longer available
- Cabinets that normally have drawers ordered less than 18" deep will be replaced with a false drawer front

- **09** 10c
- **12** 10c
- **15** 10c
- **18** 10c
- **21** 10c
- **24** 10c



Half Depth Shelf

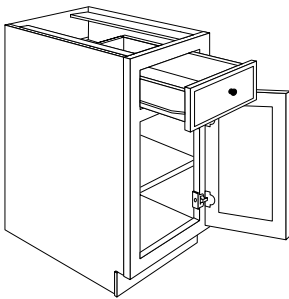


10c
HDS

- 3/4" engineered wood; 3/4" Plywood if All Plywood Construction with Dovetail Drawers Option (ADT) is selected
- Standard shelf for most Base and Universal cabinets
- Cabinets 39" or wider will have full-length support cleat attached to the underside of the shelf along the front edge

◆ **HDS** 10c

Full Depth Shelf



10c
FDS

- 3/4" engineered wood; 3/4" Plywood if All Plywood Construction with Dovetail Drawers Option (ADT) is selected
- Available for most Base and Universal cabinets
- **Note:** When selected, replace HDS with FDS

● **FDS** 10c

Standard and Wood Trays

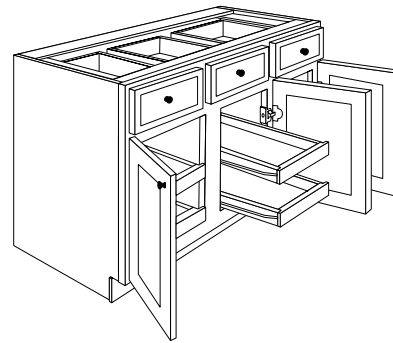
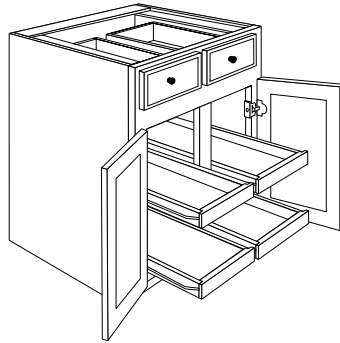
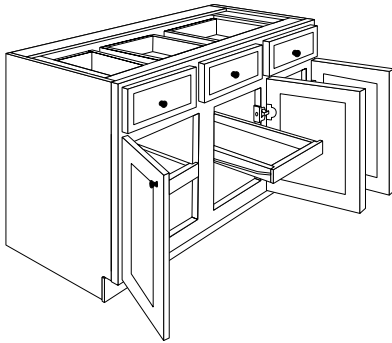
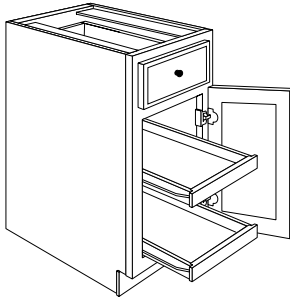
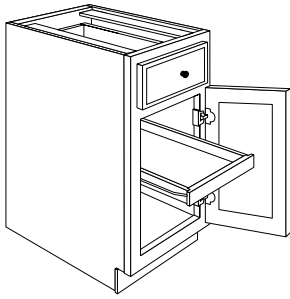
10d

Standard Trays

1ST
2ST
3ST
4ST
6ST

Wood Trays

1WT
2WT
3WT
4WT
6WT



- Wood trays have solid hardwood tray core with 3/4" thick front, 1/2" thick sides and back, and 3/16" thick plywood bottom panel with natural wood grain laminate
- Standard trays sides and back are 1/2" thick engineered wood with 3/8" thick engineered wood bottom, natural wood grain laminate. Fronts are 3/4" thick solid hardwood
- Available for most Base and Universal cabinets
- 3/4 extension side mount glide
- 75 lbs. capacity
- Shelves are omitted from cabinets when Roll-Out Tray options are selected
- (ADT) has solid wood Roll-Out Trays, order using Standard Trays; Unable to order Wood Trays
- **Note:** Unavailable on cabinets reduced to 12" or 15" deep

● ST 10d

● WT 10d

Standard and Wood Full-Width Trays

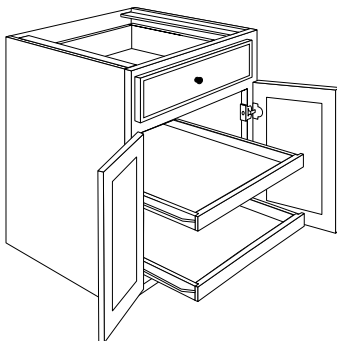
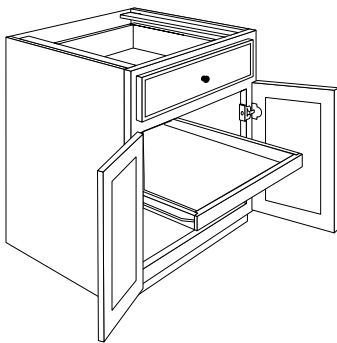
10d

Standard Full-Width Trays

1FT
2FT

Wood Full-Width Trays

1WF
2WF

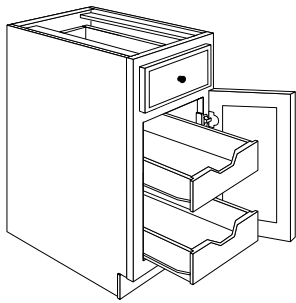


- Wood trays have solid hardwood tray core with 3/4" thick front, 1/2" thick sides and back, and 3/16" thick plywood bottom panel with natural wood grain laminate
- Standard tray spans the full-width of cabinet
- Standard trays sides and back are 1/2" thick engineered wood with 3/8" thick engineered wood bottom, natural wood grain laminate. Fronts are 3/4" thick solid hardwood
- Available for most butt door Base and Universal cabinets
- 3/4 extension side mount glide
- 75 lbs. capacity
- Shelves are omitted from cabinets when Roll-Out Tray options are selected
- (ADT) have solid wood Roll-Out Trays, order using standard full-width trays; unable to order wood trays
- **Note:** Unavailable on cabinets reduced to 12" or 15" deep

● FT 10d

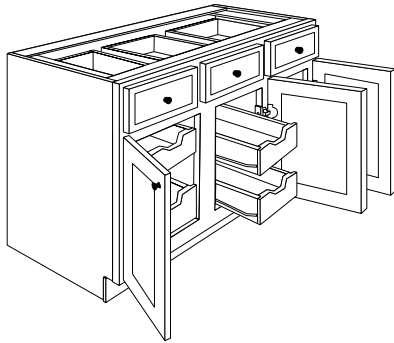
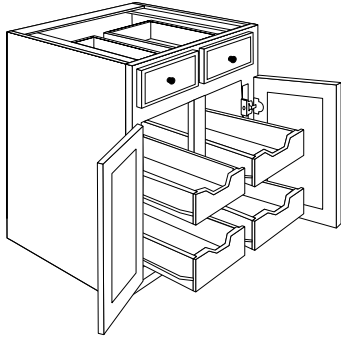
● WF 10d

Deluxe Trays



10a

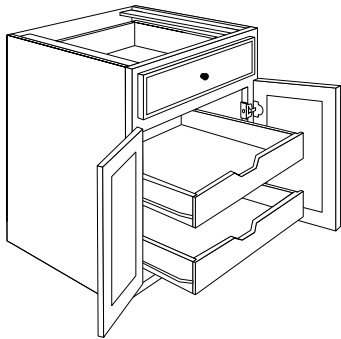
2DT
4DT
6DT



- Sides, front and back, are 1/2" thick solid hardwood with 3-ply 3/16" thick plywood bottom panel
- 1 15/16" deep scalloped finger pull cut out
- Available for most Base and Universal cabinets
- 3/4 extension side mount glide
- 75 lbs. capacity
- Shelves are omitted from cabinets when Roll-Out Tray options are selected
- Natural finish
- **Note:** Unavailable on cabinets reduced to 12" or 15" deep

● **DT** 10a

Deluxe Full-Width Trays



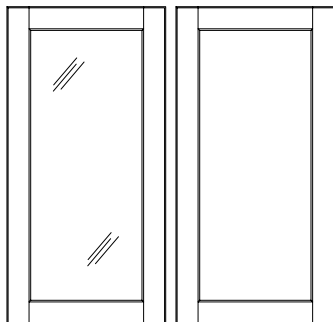
10a

2DF

- Deluxe tray spans the full-width of cabinet
- Sides, front and back, are 1/2" thick solid hardwood with 3-ply 3/16" thick plywood bottom panel
- 1 15/16" deep scalloped finger pull cut out
- Available for most butt door Base and Universal cabinets
- 3/4 extension side mount glide
- 75 lbs. capacity
- Shelves are omitted from cabinets when Roll-Out Tray options are selected
- Natural finish
- **Note:** Unavailable on cabinets reduced to 12" or 15" deep

● **DF** 10a

Glass Doors



10a

With Glass (Clear Glass)
GD

Prepared for Glass Insert
PG

GD

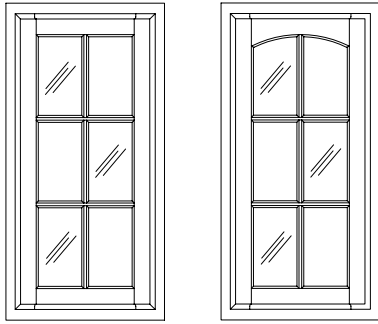
PG

- 1/8" removable tempered glass with GD option. No glass with PG option
- Available on select door styles and most wall cabinets. See door style and cabinet for availability
- **Note:** Fusion Glass Doors feature 2 3/16" solid wood stiles and rails and same profiles as Portrait
- **Note:** Marlin and Vance Glass Doors feature 2 3/16" wood stiles and rails
- **Note:** Mitered door styles are unable to be field modified for glass
- **Note:** Optional Door Insert Retaining Strip sold separately for use with PG option

● **GD** 10a

● **PG** 10a

Mullion Glass Door



10a

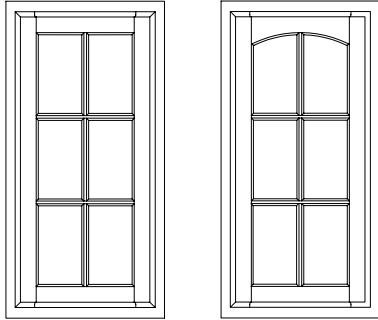
With Glass (Clear Glass)

MG

Prepared for Glass Insert

PM

MG

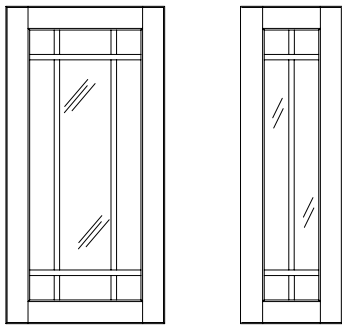


PM

● MG 10a
● PM 10a

- 1/8" removable tempered glass with MG option. No glass with PM option
- Mullions are equally divided
- Available on select door styles and most wall cabinets. See door style and cabinet for availability
- 12" high and 9" wide cabinets will **not** have mullions
- **Note:** Mitered door styles are unable to be field modified for glass
- **Note:** Optional Door Insert Retaining Strip sold separately for use with PM option, used with all door styles except Whitebay II
- **Note:** Optional Door Insert Clips sold separately for use with PM option Whitebay II only

Prairie Glass Door



10a

With Glass (Clear Glass)

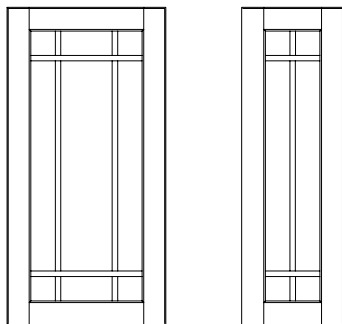
PR

Prepared for Glass Insert

PP

PR

Tolani 24" wide Butt door

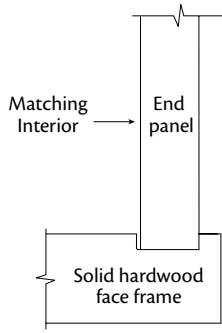


PP

● PR 10a
● PP 10a

- 1/8" removable tempered glass with PR option. No glass with PP option
- All doors have two vertical and two horizontal mullions, except Tolani 12" wide cabinets and 24" wide butt door cabinets, which only have one vertical mullion. The doors on 12" high cabinets do **not** have mullions
- Available on select door styles and most wall cabinets. See door style and cabinet for availability
- **Note:** Optional Door Insert Retaining Strip sold separately for use with PP option

Matching Interior



10f

MI

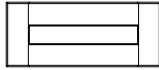
- Matching interior option affects: End Panels, Shelves, Tops, Bottoms and Back Panel
- Interior surfaces are easy clean laminate
- Available on most wall cabinets with or without Glass/Prep for Glass option. See cabinet for availability

MI 10f

Drawer Front



3-Piece



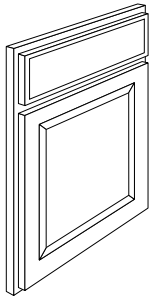
5-Piece

8

3
5

- Available in select door styles; see door style for availability

Cabinet Front Only



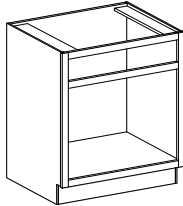
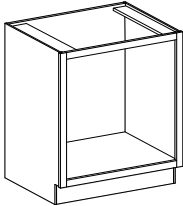
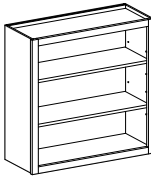
10g

CFO

- Front frame, doors and drawer fronts only
- **Note:** Unavailable with any depth modifications, tray or shelf options
- Does **not** include toe kick

CFO 10g

Case Only Option



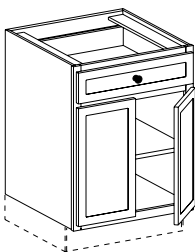
10g

CSO

- Includes cabinet box. Does **not** include doors, drawer fronts, drawer cores, hinges, adjustable shelves, trays and slides
- Cabinets with revolving shelves will ship with revolving shelves; Base Corner Fixed Shelf (BCFS36) will ship with fixed shelf; Wall Cabinets include shelves (if applicable)
- Unavailable with (VTK) option
- See cabinet for availability

CSO 10g

Void Toe Kick



10g

VTK

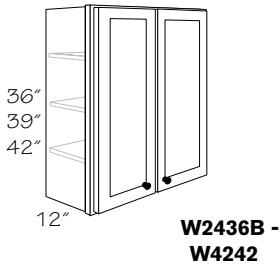
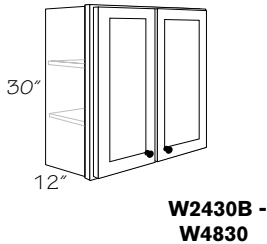
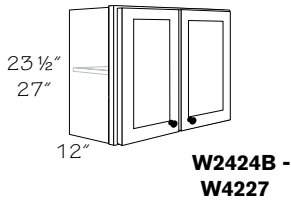
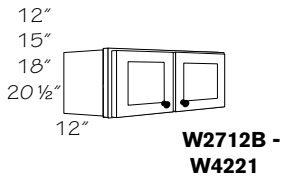


Caution: Cabinets are not intended to be free-standing units, they must be attached to a wall stud or anchored to the floor to achieve sufficient stability

- Available on select Base, Tall, Office and Vanity Cabinets
- Allows decorative feet to be used under cabinet
- **Note:** Decorative feet or legs should support the cabinet by the end panels, **not** the cabinet floor
- Full overlay door styles are **not** to be placed directly on the floor
- Options are unavailable with CoreGuard™, SBA36, SBA42, BAR36, BLS, BCR, BCFS, UBCR, UBLs, 93", or 96" Tall cabinets (where toe kick platform is shipped separate)
- Unavailable with (CSO)

VTK 10g

Wall Double Door



- 10a
- No shelf
12" High
◆ **W2712B**
◆ **W3012**
◆ **W3012B**
■ **W3312**
■ **W3312B**
◆ **W3612**
◆ **W3612B**
■ **W3912**
◆ **W4212**
■ **W4512**
■ **W4812**

- No shelf
15" High
◆ **W2715B**
◆ **W3015**
◆ **W3015B**
■ **W3315**
■ **W3315B**
◆ **W3615**
◆ **W3615B**
■ **W3915**
◆ **W4215**
■ **W4515**
■ **W4815**

- No shelf
18" High
■ **W2418B**
◆ **W2718B**
■ **W3018**
◆ **W3018B**
◆ **W3318**
◆ **W3318B**
■ **W3618**
■ **W3618B**
■ **W3918**
◆ **W4218**
◆ **W4818**

- 10a
- No shelf
20 1/2" High
■ **W3021**
■ **W3021B**
■ **W3321**
■ **W3321B**
■ **W3621**
■ **W3621B**
■ **W3921**
■ **W4221**

- One shelf
23 1/2" High
◆ **W2724B**
■ **W3024**
■ **W3024B**
■ **W3324**
◆ **W3324B**
■ **W3624**
■ **W3624B**
■ **W3924**
◆ **W4224**
■ **W4524**
◆ **W4824**

- One shelf
27" High
■ **W3027**
◆ **W3027B**
■ **W3327**
◆ **W3327B**
■ **W3627**
◆ **W3627B**
■ **W3927**
■ **W4227**

- 10a
- Two shelves
30" High
◆ **W2430B**
◆ **W2730B**
■ **W3030**
■ **W3030B**
■ **W3330**
■ **W3330B**
■ **W3630**
■ **W3630B**
■ **W3930**
◆ **W4230**
■ **W4530**
◆ **W4830**

- Three shelves
36" High
◆ **W2436B**
◆ **W2736B**
■ **W3036**
■ **W3036B**
■ **W3336**
■ **W3336B**
■ **W3636**
■ **W3636B**
■ **W3936**
◆ **W4236**

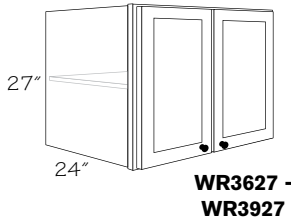
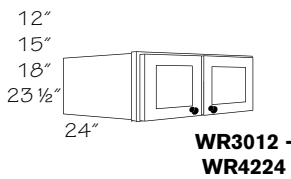
- Three shelves
39" High
◆ **W2739B**
■ **W3039B**
■ **W3339B**
■ **W3339B**
■ **W3639B**
■ **W3939**
◆ **W4239**
- Three shelves
42" High
◆ **W2442B**
◆ **W2742B**
■ **W3042**
■ **W3042B**
■ **W3342**
■ **W3342B**
■ **W3642**
■ **W3642B**
■ **W3942**
◆ **W4242**

- Adjustable shelves
- ☆ Glass Door (GD, MG, PR) and Prepared for Insert (PG, PM, PP) options are available in select door styles. See insert charts in Door Style section for availability

- ◆ SST ?
- ◆ SDT ?
- PDT ?
- ADT ?
- 09 10a
- 15 10a
- 18 10a
- 21 10a
- 24 10a
- ☆ GD 10a
- ☆ PG 10a
- ☆ MG 10a
- ☆ PM 10a
- ☆ PR 10a
- ☆ PP 10a
- MI 10f
- CFO 10g
- CSO 10g

- ◆ Available in GD, PG, MG, or PM option only
- Available in PG and PM option only

Wall Refrigerator



- 10a
- No shelf
12" High
◆ **WR3012**
◆ **WR3012B**
■ **WR3312**
◆ **WR3312B**
◆ **WR3612**
◆ **WR3612B**
■ **WR3912**
◆ **WR4212**

- No shelf
15" High
◆ **WR3015**
◆ **WR3015B**
■ **WR3315**
◆ **WR3315B**
◆ **WR3615**
◆ **WR3615B**
■ **WR3915**

- 10a
- No shelf
18" High
■ **WR3018**
■ **WR3018B**
◆ **WR3318**
◆ **WR3318B**
■ **WR3618**
■ **WR3618B**
■ **WR3918**
◆ **WR4218**

- No shelf
23 1/2" High
■ **WR3624**
■ **WR3624B**
■ **WR3924**
◆ **WR4224**
- One shelf
27" High
■ **WR3627**
◆ **WR3627B**
■ **WR3927**

- ◆ Available in GD, PG, MG, or PM option only
- Available in PG and PM option only

- Adjustable shelves
- ◆ Designed for use over refrigerators where there is adequate clearance
- ☆ Glass Door (GD, MG, PR) and Prepared for Insert (PG, PM, PP) options are available in select door styles. See insert charts in Door Style section for availability

- ◆ SST ?
- ◆ SDT ?
- PDT ?
- ADT ?
- 09 10a
- 15 10a
- 18 10a
- 21 10a
- 24 10a
- ☆ GD 10a
- ☆ PG 10a
- ☆ MG 10a
- ☆ PM 10a
- ☆ PR 10a
- ☆ PP 10a
- MI 10f
- CFO 10g
- CSO 10g



Caution: Additional support is required. See installation sheet provided with cabinet or the cabinet installation guide

Peninsula Wall Cabinets

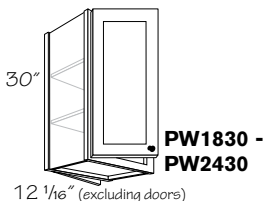
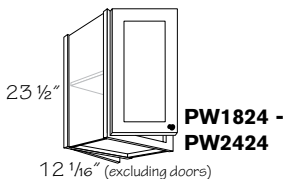
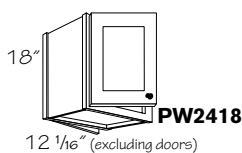
Construction Options and Modifications

- ❖ Included as standard
- Available with an upcharge
- ☆ Available with exceptions
- (Blank) **Not** available

SST	Construction	7
SDT	Construction	7
PST	Construction	7
PDT	Construction	7
ADT	Construction	7
GD	Glass Door	10e
PG	Prepare for Glass Door	10e
MG	Mullion Glass Door	10e
PM	Prepare for Mullion Glass Door	10e
PR	Prairie Glass Door	10e
PP	Prepare for Prairie Glass Door	10e
MI	Matching Interior	10f
CSO	Case Only	10g

10a

PW2418B



Peninsula Wall Single Door

10a

- No shelf
18" High
◆ **PW2418**
- One shelf
23 1/2" High
◆ **PW1824**
◆ **PW2124**
◆ **PW2424**
- Two shelves
30" High
◆ **PW1830**
◆ **PW2130**
◆ **PW2430**

◆ Available in GD, PG, MG, or PM option only

- Adjustable shelves
- Reversible for left or right hinging
- Each side has one door hinged at the same end of cabinet
- ☆ Glass Door (GD, MG, PR) and Prepared for Insert (PG, PM, PP) options are available in select door styles. See insert charts in Door Style section for availability

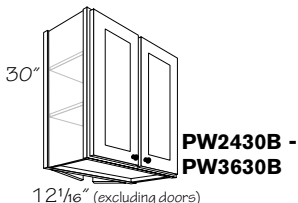
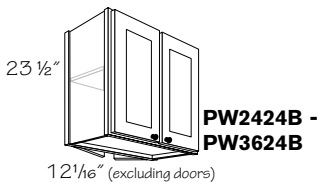
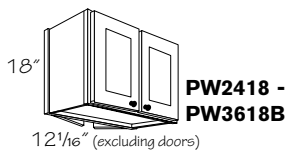
❖ SST	7	☆ MG	10e
❖ SDT	7	☆ PM	10e
● PST	7	☆ PR	10e
● PDT	7	☆ PP	10e
● ADT	7	● MI	10f
☆ GD	10e	● CSO	10g
☆ PG	10e		



Peninsula Wall Cabinets must be installed against a soffit, ceiling or supported by a countertop. See Cabinet installation guide for specific instructions

Peninsula Wall Double Door

10a



- No shelf
18" High
■ **PW2418B**
■ **PW3018**
■ **PW3018B**
■ **PW3618**
■ **PW3618B**

- One shelf
23 1/2" High
◆ **PW2424B**
◆ **PW3024**
◆ **PW3024B**
◆ **PW3624**
◆ **PW3624B**

- Two shelves
30" High
◆ **PW2430B**
◆ **PW3030**
◆ **PW3030B**
◆ **PW3630**
◆ **PW3630B**

■ Available in PG and PM option only

◆ Available in GD, PG, MG, or PM option only

- Adjustable shelves
- Each side has two doors
- ☆ Glass Door (GD, MG, PR) and Prepared for Insert (PG, PM, PP) options are available in select door styles. See insert charts in Door Style section for availability

❖ SST	7	☆ MG	10e
❖ SDT	7	☆ PM	10e
● PST	7	☆ PR	10e
● PDT	7	☆ PP	10e
● ADT	7	● MI	10f
☆ GD	10e	● CSO	10g
☆ PG	10e		



Peninsula Wall Cabinets must be installed against a soffit, ceiling or supported by a countertop. See Cabinet installation guide for specific instructions

Wall Corner Cabinets

Construction Options and Modifications

- ❖ Included as standard
 - Available with an upcharge
 - ☆ Available with exceptions
- (Blank) **Not** available

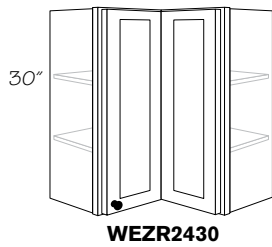
SST	Construction	⑦	GD	Glass Door	⑩e
SDT	Construction	⑦	PG	Prepare for Glass Door	⑩e
PST	Construction	⑦	MG	Mullion Glass Door	⑩e
PDT	Construction	⑦	PM	Prepare for Mullion Glass Door	⑩e
ADT	Construction	⑦	PR	Prairie Glass Door	⑩e
09	Depth Modification	⑩b	PP	Prepare for Prairie Glass Door	⑩e
15	Depth Modification	⑩b	MI	Matching Interior	⑩f
18	Depth Modification	⑩b	CFO	Cabinet Front Only	⑩g
21	Depth Modification	⑩b	CSO	Case Only	⑩g
24	Depth Modification	⑩b			

⑩a

WBC30/3330BR

Material dimensions may vary slightly based on lumber industry standards.

Specifications subject to change without notice.



Wall Easy Reach

⑩a ⑩c

Two shelves

30" High
WEZR2430 R or L

Three shelves

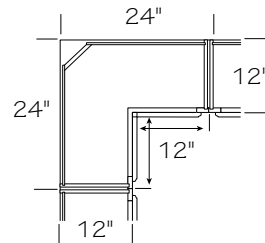
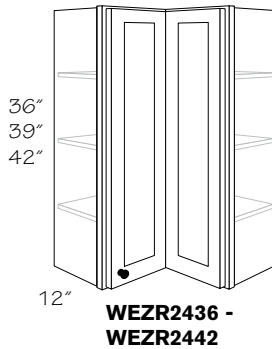
36" High
WEZR2436 R or L

Three shelves

39" High
WEZR2439 R or L

Three shelves

42" High
WEZR2442 R or L

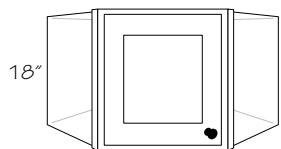


- Specify R or L for door hinging
- Adjustable shelves
- Two piece bi-fold door with independent adjustment
- 168° hinge opening
- SoftAction hinges are unavailable
- Back corner removed for easy installation

❖ SST ⑦	GD ⑩e
❖ SDT ⑦	PG ⑩e
● PST ⑦	MG ⑩e
● PDT ⑦	PM ⑩e
● ADT ⑦	PR ⑩e
09 ⑩b	PP ⑩e
15 ⑩b	● MI ⑩f
18 ⑩b	● CFO ⑩g
21 ⑩b	● CSO ⑩g
24 ⑩b	

Wall Angle Single Door

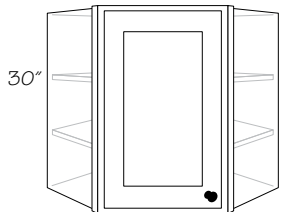
(10a) (10c)



WA2418-WA2718

No shelf
 18" High
WA2418 R or L
WA2718 R or L

Two shelves
 30" High
WA2430 R or L
WA2730 R or L

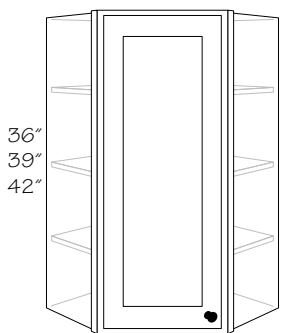


WA2430-WA2730

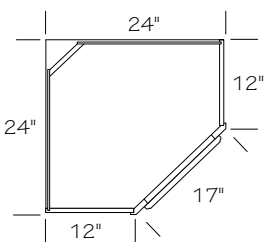
Three shelves
 36" High
WA2436 R or L
WA2736 R or L

Three shelves
 39" High
WA2439 R or L
WA2739 R or L

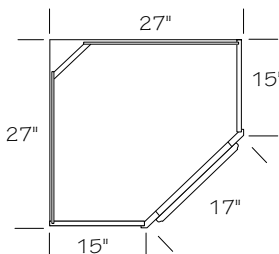
Three shelves
 42" High
WA2442 R or L
WA2742 R or L



WA2436 - WA2742



WA24__

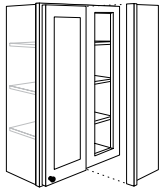


WA27__

- Specify R or L for single door hinging
- Adjustable shelves
- Back corner removed for easy installation
- Full and traditional overlay door widths are similar to avoid interference with adjacent cabinet doors
- Adjacent cabinets can be installed directly without fillers
- ☆ Glass Door (GD, MG, PR) and Prepared for Insert (PG, PM, PP) options are available in select door styles. See insert charts in Door Style section for availability

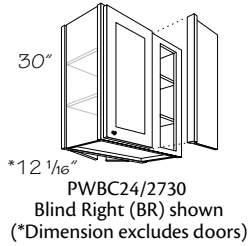
❖ SST (7)	☆ GD (10c)
❖ SDT (7)	☆ PG (10c)
● PST (7)	☆ MG (10c)
● PDT (7)	☆ PM (10c)
● ADT (7)	☆ PR (10c)
09 (10b)	☆ PP (10c)
15 (10b)	● MI (10)
18 (10b)	● CFO (10c)
21 (10b)	● CSO (10c)
24 (10b)	

Wall Blind Corner Cabinet Information

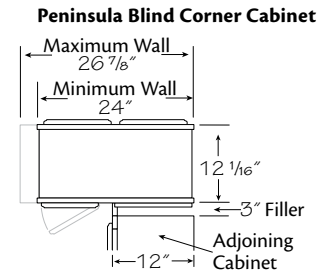
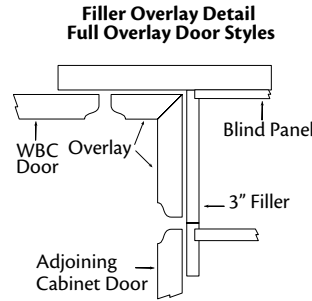
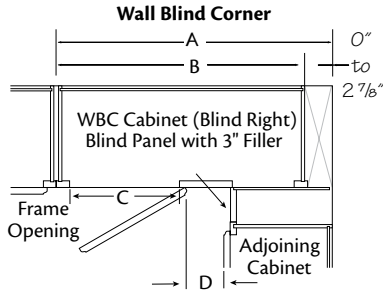


Wall Blind Corner Cabinet
Blind Right (BR) shown

- Wall blind corner cabinets provide access to corner space and permits adjustability up to 2 7/8" max. to aid in kitchen cabinet layout. Consult chart for pull dimensions and min. wall space requirements
- Pulling the cabinet away from the corner (2 7/8" max.), and using the supplied filler and panel provides clearance for opening doors when hardware is used
- BR or BL indicates blind end of cabinet. Please specify.
- Door hinged on same side as blind
- Square design door cabinets may be changed from right to left by inverting cabinet
- Arch design door cabinets unable to be inverted
- Overlays available for all full overlay door styles except Fusion; order separately. Overlays are used to cover the exposed filler and frame. This provides a continuous door appearance. Field miter cut overlays to required width determined by cabinet pull
- **Note:** A blind panel with 3" filler is included with each WBC cabinet; shipped unattached



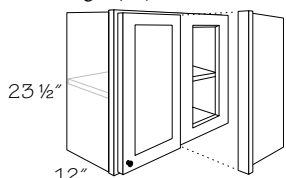
PWBC24/2730
Blind Right (BR) shown
(*Dimension excludes doors)



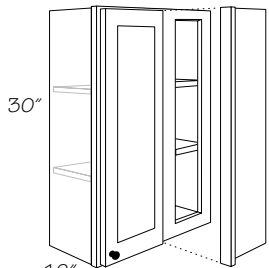
Wall Blind Corner	Cabinet Dimensions			Traditional Overlay		Full Overlay		
	(A) Wall Space		(B) Cabinet Width	(C) Frame Opening	(D) Door Hardware Clearance		(D) Door Hardware Clearance	
	No Pull	Max Pull			No Pull	Max Pull	No Pull	Max Pull
WBC24/27	24"	26 7/8"	24"	7 1/2"	1 1/2"	4 3/8"	13/16"	3 11/16"
WBC27/30	27"	29 7/8"	27"	10 1/2"	1 1/2"	4 3/8"	13/16"	3 11/16"
WBC30/33	30"	32 7/8"	30"	13 1/2"	1 1/2"	4 3/8"	13/16"	3 11/16"
WBC33/36	33"	35 7/8"	33"	16 1/2"	1 1/2"	4 3/8"	13/16"	3 11/16"
WBC36/39	36"	38 7/8"	36"	19 1/2"	1 1/2"	4 3/8"	13/16"	3 11/16"
WBC42/45	42"	44 7/8"	42"	10 1/2", 12"	1 1/2"	4 3/8"	13/16"	3 11/16"
WBC48/51	48"	50 7/8"	48"	13 1/2", 15"	1 1/2"	4 3/8"	13/16"	3 11/16"
PWBC24/27	24"	26 7/8"	24"	7 1/2"	1 1/2"	4 3/8"	13/16"	3 11/16"

Wall Blind Corner Single Door

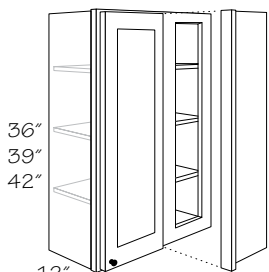
Blind Right (BR) shown



**WBC27/3024 -
WBC36/3924**



**WBC24/2730 -
WBC36/3930**



**WBC24/2736 -
WBC36/3942**

10a

One shelf

23 1/2" High

WBC27/3024 BR or BL
WBC36/3924 BR or BL

Two shelves

30" High

WBC24/2730 BR or BL
WBC27/3030 BR or BL
WBC30/3330 BR or BL
WBC33/3630 BR or BL
WBC36/3930 BR or BL

Three shelves

36" High

WBC24/2736 BR or BL
WBC27/3036 BR or BL
WBC30/3336 BR or BL
WBC36/3936 BR or BL

Three shelves

39" High

WBC24/2739 BR or BL
WBC27/3039 BR or BL
WBC30/3339 BR or BL
WBC36/3939 BR or BL

Three shelves

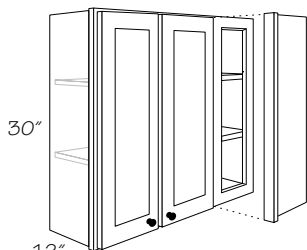
42" High

WBC24/2742 BR or BL
WBC27/3042 BR or BL
WBC30/3342 BR or BL
WBC36/3942 BR or BL

- Specify BR or BL; BR or BL indicates blind
- Adjustable shelves
- Door hinged to center stile
- Do **not** pull cabinet more than 2 7/8" from corner
- Blind Panel with 3" filler included, shipped unattached
- Overlays available for all full overlay door styles except Fusion; order separately

◆ SST 7	GD 10a
◆ SDT 7	PG 10a
● PST 7	MG 10a
● PDT 7	PM 10a
● ADT 7	PR 10a
● 09 10a	PP 10a
● 15 10a	MI 10f
● 18 10a	● CFO 10g
● 21 10a	● CSO 10g
● 24 10a	

Wall Blind Corner Double Door



Blind Right (BR) shown

10a

Two shelves

WBC42/4530 BR or BL
WBC48/5130 BR or BL

- Specify BR or BL; BR or BL indicates blind
- Adjustable shelves
- Two different width doors; the narrower is located next to the blind panel
- Do **not** pull cabinet more than 2 7/8" from corner
- Blind Panel with 3" filler included, shipped unattached
- Overlays available for all full overlay door styles except Fusion; order separately

◆ SST 7	GD 10a
◆ SDT 7	PG 10a
● PST 7	MG 10a
● PDT 7	PM 10a
● ADT 7	PR 10a
● 09 10a	PP 10a
● 15 10a	MI 10f
● 18 10a	● CFO 10g
● 21 10a	● CSO 10g
● 24 10a	

Peninsula Wall Corner Cabinets

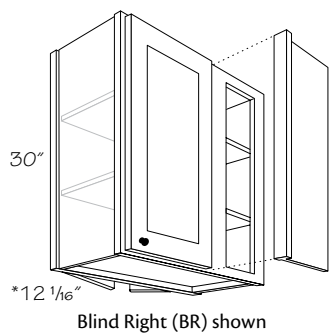
SST	Construction	⑦
SDT	Construction	⑦
PST	Construction	⑦

PDT	Construction	⑦
ADT	Construction	⑦
CSO	Case Only	⑩g

Construction Options and Modifications

- ❖ Included as standard
 - Available with an upcharge
 - ☆ Available with exceptions
- (Blank) **Not** available

Peninsula Wall Blind Corner



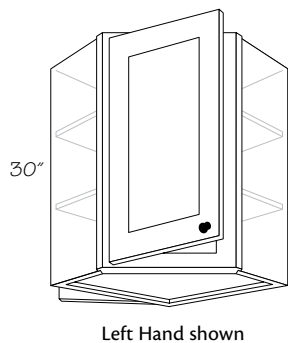
Two shelves
PWBC24/2730 BR or BL

- Specify BR or BL; BR or BL indicates blind
- Adjustable shelves
- Three doors; one front, two back. Door hinged to frame center stile on blind side
- Do **not** pull cabinet more than 2 7/8" from corner
- Blind Panel with 3" filler included, shipped unattached
- Overlays available for all full overlay door styles except Fusion; order separately

- ❖ SST ⑦
- ❖ SDT ⑦
- PST ⑦
- PDT ⑦
- ADT ⑦
- CSO ⑩g

*Dimension excludes doors

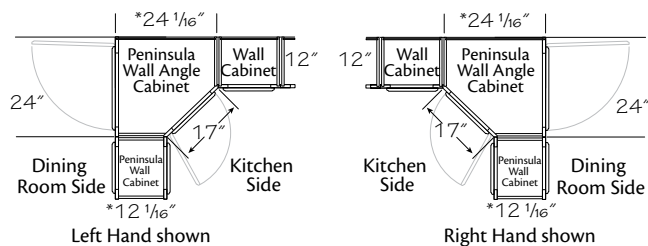
Peninsula Wall Angle



Two shelves
PWA2430 R or L

- Specify R or L; R or L designates dining room side door hinging
- Adjustable shelves
- Stile on dining room frame is extra wide to clear window or door molding
- Kitchen side full and traditional door widths are similar to avoid interference with adjacent cabinet doors
- Adjacent cabinets can be installed directly without fillers
- Requires 24 1/16" of wall space excluding dining room side cabinet door

- ❖ SST ⑦
- ❖ SDT ⑦
- PST ⑦
- PDT ⑦
- ADT ⑦
- CSO ⑩g



*Dimension excludes doors

Wall Appliance Cabinets

Construction Options and Modifications

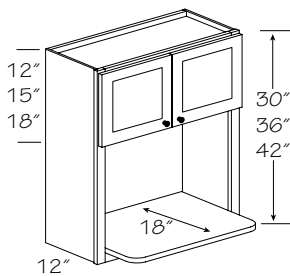
- ❖ Included as standard
 - Available with an upcharge
 - ☆ Available with exceptions
- (Blank) **Not** available

Cabinets with a "B" suffix have BUTT doors without a center stile

SST	Construction	7
SDT	Construction	7
PST	Construction	7
PDT	Construction	7
ADT	Construction	7
21	Depth Modification	10b
24	Depth Modification	10b
GD	Glass Door	10e
PG	Prepare for Glass Door	10e
MG	Mullion Glass Door	10e
PM	Prepare for Mullion Glass Door	10e
CFO	Cabinet Front Only	10g
CSO	Case Only	10g

10a

WMS271812



Wall Microwave Shelf Cabinet

10a

- 24" Wide
■ **WMSC2436B**
- 27" Wide
■ **WMSC2730B**
■ **WMSC2736B**
■ **WMSC2742B**

■ Available in PG and PM option only

- 3/4" thick shelf extends 6 25/32" beyond face frame
- No shelf in upper section
- Shelf shipped unattached for easier installation; mounting hardware included
- Vertical wood grain interior (when applicable)
- Designed for countertop style microwaves
- Matching laminate interior
- ☆ Glass Door (GD, MG) and Prepared for Insert (PG, PM) options are available in select door styles. See insert charts in Door Style section for availability

❖ SST	7	☆ GD	10e
❖ SDT	7	☆ PG	10e
● PST	7	☆ MG	10e
● PDT	7	☆ PM	10e
● ADT	7	● CFO	10g
● 21	10b	● CSO	10g
● 24	10b		

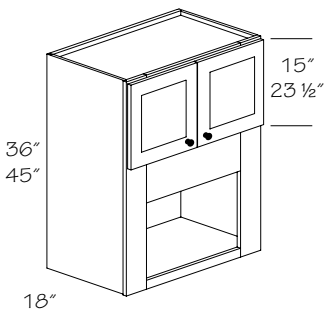
Opening Sizes			
Cabinet	Width	Height	Depth (Shelf)
WMSC2436B	21"	18 3/4"	18"
WMSC2730B	24"	15 3/4"	18"
WMSC2736B	24"	18 3/4"	18"
WMSC2742B	24"	21 3/4"	18"



Caution: WMSC cabinets require additional support. The cabinet should be screwed on both sides to adjacent cabinets, wall, soffit or ceiling joist

Wall Microwave Cabinet

10a



- 18" Deep
■ **WMC2736B**
■ **WMC3036B**
■ **WMC2745B**
■ **WMC3045B**

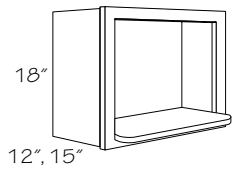
- No shelf in upper section
- Matching laminate interior
- Vertical wood grain interior (when applicable)
- 4 1/2" wide trimmable face frame stiles
- Doors are attached with face-mounted concealed hinges
- ☆ Glass Door (GD, MG) and Prepared for Insert (PG, PM) options are available in select door styles. See insert charts in Door Style section for availability

❖ SST	7	☆ GD	10e
❖ SDT	7	☆ PG	10e
● PST	7	☆ MG	10e
● PDT	7	☆ PM	10e
● ADT	7	● CFO	10g
● 21	10b	● CSO	10g
● 24	10b		

Cabinet	Opening Sizes		Trimable to	
	Width	Height	Width	Height
WMC2736B	18"	13"	24"	19 1/2"
WMC3036B	21"	13"	27"	19 1/2"
WMC2745B	18"	13 1/2"	24"	20"
WMC3045B	21"	13 1/2"	27"	20"



Caution: WMC cabinets require additional support. The cabinet should be screwed on both sides to adjacent cabinets, wall, soffit or ceiling joist



Wall Microwave Shelf

10a

12" Deep
WMS271812
WMS301812

15" Deep
WMS271815
WMS301815

- ❖ SST 7
- ❖ SDT 7
- PST 7
- PDT 7
- ADT 7
- 21 10b
- 24 10b
- GD 10a
- PG 10a
- MG 10a
- PM 10a
- CFO 10a
- CSO 10a

- 3/4" thick shelf extends 3 25/32" beyond face frame of cabinet
- Shelf shipped unattached for easier installation; mounting hardware included
- Matching laminate interior
- Vertical wood grain interior (when applicable)
- Available in all finishes; highlights shipped standard finish
- Designed for countertop style microwaves
- **Note:** Install between two cabinets or between cabinet and side wall

Opening Sizes			
Cabinet	Width	Height	Depth (Shelf)
WMS271812	24"	14 1/4"	15"
WMS301812	27"	14 1/4"	15"
WMS271815	24"	14 1/4"	18"
WMS301815	27"	14 1/4"	18"

Wall Open Cabinets

Construction Options and Modifications

- ❖ Included as standard
- Available with an upcharge
- ☆ Available with exceptions

(Blank) **Not** available

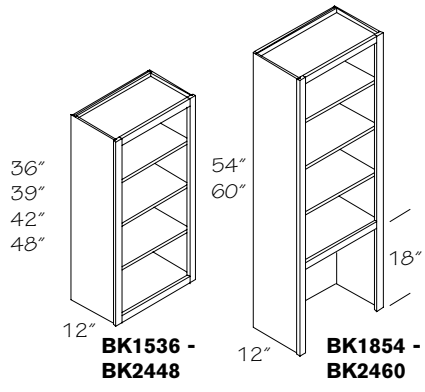
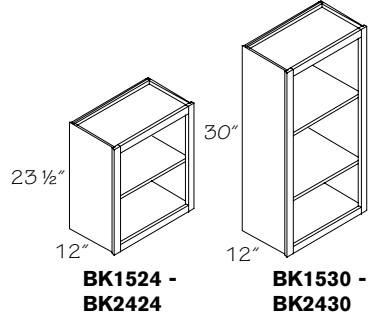
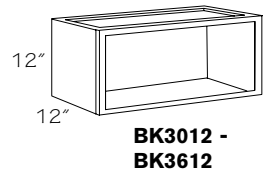
Caution: Bookcases are typically subjected to extreme weight. Additional support is required. Wall hung applications **must** be limited to 15 lbs. per square foot of shelf area; **not** to exceed 50 lbs. per shelf.

Material dimensions may vary slightly based on lumber industry standards. Specifications subject to change without notice.

SST	Construction	⑦
SDT	Construction	⑦
PST	Construction	⑦
PDT	Construction	⑦
ADT	Construction	⑦
09	Depth Modification	⑩b
15	Depth Modification	⑩b
18	Depth Modification	⑩b
21	Depth Modification	⑩b
24	Depth Modification	⑩b

⑩a

BK1830

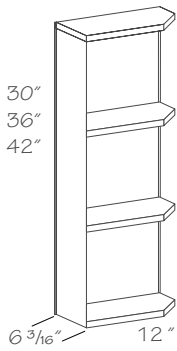


Bookcase Cabinets

- ⑩a
No shelf
12" High
BK3012
BK3612
- One shelf
23 1/2" High
BK1524
BK1824
BK2124
BK2424
- Two shelves
30" High
BK1530
BK1830
BK2130
BK2430
- Three shelves
36" High
BK1536
BK1836
BK2136
BK2436
- ⑩a
Three shelves
39" High
BK1539
BK1839
BK2139
BK2439
- Three shelves
42" High
BK1542
BK1842
BK2142
BK2442
- Three shelves
48" High
BK1848
BK2148
BK2448
- Three shelves
54" High
BK1854
BK2154
BK2454
- Three shelves
60" High
BK1860
BK2160
BK2460

- Adjustable shelves
- 54" and 60" high bookcases have one fixed bottom shelf and are designed to mount on a countertop and be secured to the wall
- Matching laminate interior
- Vertical wood grain interior (when applicable)
- Includes low profile clear polycarbonate shelf supports in addition to hold-down style supports used for shipping
- Available in all finishes; highlights shipped standard finish
- 12" high bookcases unavailable in Hickory door styles

- ❖ SST ⑦
- ❖ SDT ⑦
- PST ⑦
- PDT ⑦
- ADT ⑦
- 09 ⑩b
- 15 ⑩b
- 18 ⑩b
- 21 ⑩b
- 24 ⑩b



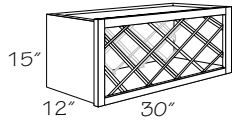
Solid Wood Wall End Open Shelf

(10a)	Three shelves 30" High SWEOS30	Shelf spacing 9 1/8"
	Four shelves 36" High SWEOS36	Shelf spacing 8 3/16"
	Four shelves 42" High SWEOS42	Shelf spacing 9 11/16"

- 5/8" thick solid wood fixed shelves and top
- Invertible for right or left hand use
- 6 3/16" wide x 12" deep with 5 3/4" long 45 degree angle cut front corner on shelves
- Trimmable to 5 7/8" wide
- Backside of shelf unit *not* finished
- Available in all finishes; highlights shipped standard finish
- Textured Laminate will be stained or painted; Laminate and Thermofoil will be painted
- End and back panels are 3/16" with veneered plywood finish on exposed surfaces

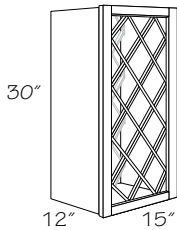
- ◆ SST (7)
- ◆ SDT (7)
- ◆ PST (7)
- ◆ PDT (7)
- ◆ ADT (7)
- 09 (10a)
- 15 (10a)
- 18 (10a)
- 21 (10a)
- 24 (10a)

Wall Lattice



WL3015
(horizontal)

(10a)	15" High WL3015	11 Bottles
	30" High WL1530	11 Bottles

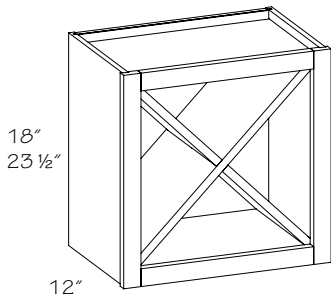


WL1530
(vertical)

- Matching laminate interior
- Vertical wood grain interior (when applicable)
- Available in all finishes; highlights shipped standard finish
- Lattices are finished to match
- Lattices are finished on one side to match; unable to be removed
- 4" x 4" bottle openings

- ◆ SST (7)
- ◆ SDT (7)
- ◆ PST (7)
- PDT (7)
- ADT (7)
- 09 (10a)
- 15 (10a)
- 18 (10a)
- 21 (10a)
- 24 (10a)

Wine Storage Cabinet

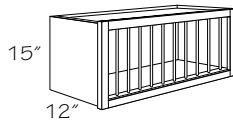


(10a)	18" High WSC1818	14 Bottles - 3 1/4" Diameter Bottles
	23 1/2" High WSC2424	30 Bottles - 3 1/4" Diameter Bottles

- Matching laminate interior
- Cross member is finished veneer to match cabinet exterior
- Vertical wood grain interior (when applicable)
- Available in all finishes; highlights shipped standard finish
- Cross member is unable to be removed
- Requires additional support. Installation between two cabinets or cabinet and wall recommended
- Components other than the frame are constructed of plywood
- ☆ Regardless of construction option, model is constructed the same

- ☆ SST (7)
- ☆ SDT (7)
- ☆ PST (7)
- ☆ PDT (7)
- ☆ ADT (7)
- 09 (10a)
- 15 (10a)
- 18 (10a)
- 21 (10a)
- 24 (10a)

Wall China Display



(10a)	WCD3015	13 Plates
	WCD3615	16 Plates

- Matching laminate interior
- Vertical wood grain interior (when applicable)
- Available in all finishes; highlights shipped standard finish
- Plate spindles finished to match
- Plate spindles are unable to be removed
- Each plate opening is 1 5/8" wide x 11 1/4" deep x 11 1/2" high

- ◆ SST (7)
- ◆ SDT (7)
- ◆ PST (7)
- PDT (7)
- ADT (7)
- 09 (10a)
- 15 (10a)
- 18 (10a)
- 21 (10a)
- 24 (10a)

Wall End Run Cabinets

Construction Options and Modifications

- ❖ Included as standard
- Available with an upcharge
- ☆ Available with exceptions

(Blank) **Not** available

Material dimensions may vary slightly based on lumber industry standards.

Specifications subject to change without notice.

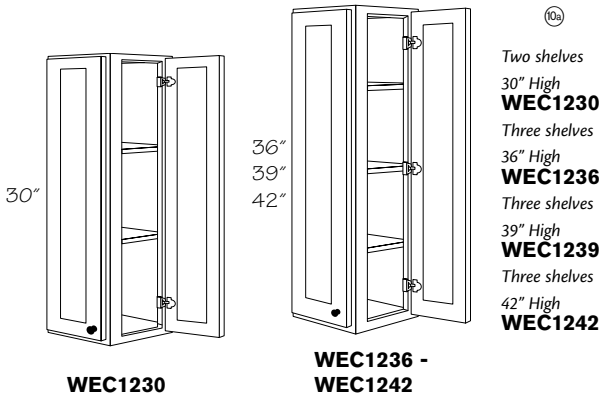
SST	Construction	⑦
SDT	Construction	⑦
PST	Construction	⑦
PDT	Construction	⑦
ADT	Construction	⑦
GD	Glass Door	⑩e
PG	Prepare for Glass Door	⑩e
MG	Mullion Glass Door	⑩e
PM	Prepare for Mullion Glass Door	⑩e
MI	Matching Interior	⑩f
CFO	Cabinet Front Only	⑩g
CSO	Case Only	⑩g

⑩a

WEC1236

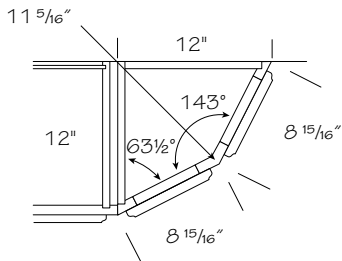
Wall End Corner

⑩a

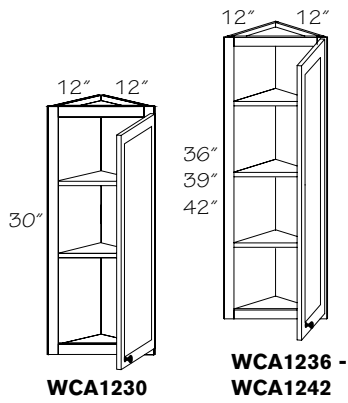


- Two doors
- Adjustable shelves
- For use at end of cabinet run or in a corner
- ☆ Glass Door (GD) and Prepared for Insert (PG) options are available in select door styles. See insert charts in Door Style section for availability

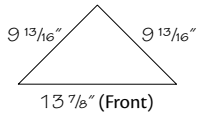
- ❖ **SST** ⑦
- ❖ **SDT** ⑦
- **PST** ⑦
- **PDT** ⑦
- **ADT** ⑦
- ☆ **GD** ⑩e
- ☆ **PG** ⑩e
- ☆ **MG** ⑩e
- ☆ **PM** ⑩e
- **MI** ⑩f
- **CFO** ⑩g
- **CSO** ⑩g



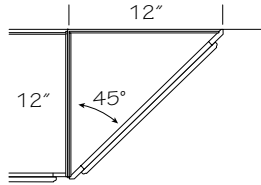
Wall Corner Angle



- Two shelves
30" High
WCA1230 R or L
- Three shelves
36" High
WCA1236 R or L
- Three shelves
39" High
WCA1239 R or L
- Three shelves
42" High
WCA1242 R or L



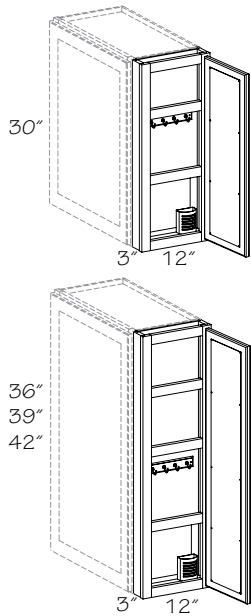
Plan View of Adjustable Shelf



- Specify R or L
- Adjustable shelves
- For use at end of cabinet run or in a corner
- ☆ Glass Door (GD, MG, PR) and Prepared for Insert (PG, PM, PP) options are available in select door styles. See insert charts in Door Style section for availability

- ❖ **SST** (7)
- ❖ **SDT** (7)
- **PST** (7)
- **PDT** (7)
- **ADT** (7)
- ☆ **GD** (0b)
- ☆ **PG** (0b)
- ☆ **MG** (0b)
- ☆ **PM** (0b)
- **MI** (0f)
- **CFO** (0g)
- **CSO** (0g)

Message Center Wall



- Two shelves
30" High
MCW1230 R or L
- Three shelves
36" High
MCW1236 R or L
- Three shelves
39" High
MCW1239 R or L
- Three shelves
42" High
MCW1242 R or L

- Specify R or L. Cabinet should be hinged on kitchen wall side
- Fixed shelves
- Shelves are 1 7/8" deep
- **Not** invertible
- Installs against the side of a 12" deep Wall Cabinet at the end of a run
- 3" wide, excluding door
- (4) hook key rail installed to cabinet back panel
- Full size white metallic dry erase marker board installed on the back side of door
- A second marker board is installed on cabinet back panel, bottom section
- Includes a rounded stainless steel pencil holder with full size magnet on backside: 3" wide x 3 1/2" tall x 1 1/2" deep
- 3" wide overlay available for all full overlay door styles, except Fusion. Overlay used to cover the exposed end of cabinet; order separately
- ☆ Regardless of construction option, model is constructed the same
- ☆ Cabinet components other than the frame are constructed of plywood

- ☆ **SST** (7)
- ☆ **SDT** (7)
- ☆ **PST** (7)
- ☆ **PDT** (7)
- ☆ **ADT** (7)
- **GD** (0b)
- **PG** (0b)
- **MG** (0b)
- **PM** (0b)
- **MI** (0f)
- **CFO** (0g)
- **CSO** (0g)

Wall Hoods

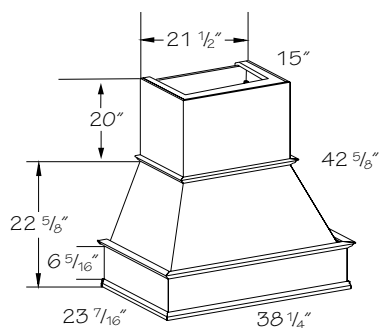
Important **Note:** Mount hood a minimum of 24" above range cooking surface. Consult building codes prior to installation. Hood **must** be securely anchored to wall.

Cabinets with a "B" suffix have BUTT doors without a center stile

Note: Textured Laminate will be stained or painted; Laminate and Thermofoil will be painted unless noted

^{10a}
WHL36

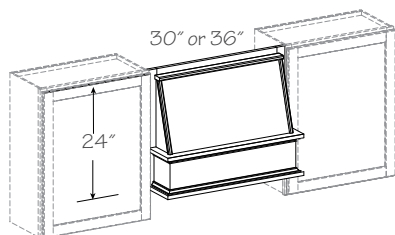
Wall Hood Classic Chimney Plain



^{10a}
WHCC362442P

- Solid wood/wood veneer construction
- For installations with exterior ductwork
- A 3" space is recommended on both sides of hood for adjacent cabinet runs
- Can accommodate ceilings up to 9' high with installation of the chimney or trimming of chimney to accommodate 8' high ceiling
- Unable to be used with a soffit
- 20" tall chimney is shipped unattached for easier installation
- Requires a metal liner and blower. See Wall Hood Liner (WHL36) and Wall Hood Blower (WHB36)
- Unavailable in Hickory
- **Note:** Cabinetry and appliances located below these Wall Hoods should be pulled to a min. of 27" deep and a max. of 30" deep for improved function

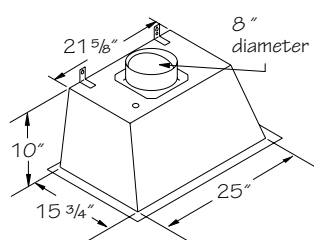
Range Hood Front



^{10a}
RHF3024
RHF3624

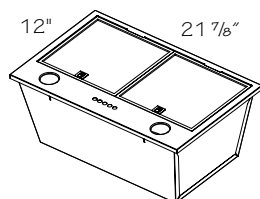
- Solid wood/wood veneer construction
- Hood extends 6 1/8" from face frame of adjacent wall cabinets, 18 1/8" from wall
- Mounts between two 27" high or higher wall cabinets
- Silver colored metal liner included
- For installations with exterior ductwork
- Range Hood Blower (RHB) required; ordered separately

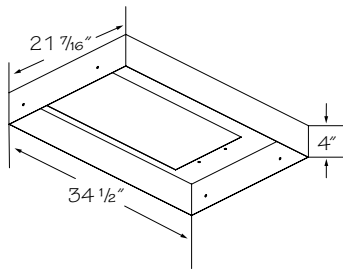
Wall Hood Blower



^{10a}
WHB36

- For installations with exterior ductwork
- For use with Wall Hood Classic Chimney Plain (WHCC362442P)
- Powered by a 660 CFM 3-speed squirrel cage fan with push button controls
- Requires two 50 watt, 120 volt halogen light bulbs (MR16 GU10 base) which are available at hardware or lighting retailers
- Easy to clean aluminum mesh filter





Wall Hood Liner

103

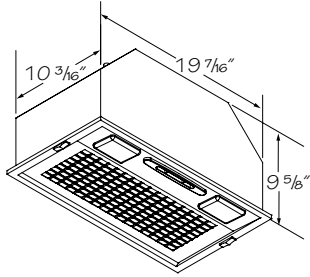
WHL36

- Constructed of heavy gauge steel
- For installations with exterior ductwork
- For use with Wall Hood Classic Chimney Plain (WHCC362442P)
- For use with 36" Wall Hood Blower (WHB36)
- Stainless steel

Range Hood Blower and Light Unit

103

RHB



- For use with Range Hood Front (RHF3024, RHF3624)
- AC 120 volt required
- Three-speed slide control
- Quiet centrifugal blower, 390CFM
- 1 3/16" high x 5 7/8" diameter; top exhaust, duct **not** included
- Silver metallic finish
- HVI, UL & CUL certified
- Dual 40 watt lighting, bulbs **not** included
- Large, dishwasher-safe aluminum grease filter
- Includes adapter and damper for ducted installations

Wall Specialty Cabinets

Construction Options and Modifications

- ❖ Included as standard
- Available with an upcharge
- ☆ Available with exceptions

(Blank) **Not** available

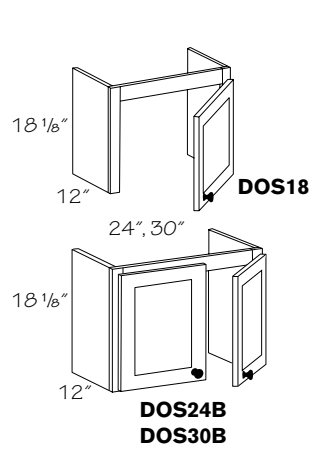
Cabinets with a "B" suffix have BUTT doors without a center stile

Material dimensions may vary slightly based on lumber industry standards.

Specifications subject to change without notice.

CH	Cherry	②
HK	Hickory	②
MP	Maple	②
RO	Red Oak	②
LM	Laminate	②
LM	Laminate	②
TH	Thermofoil	②

⑩a
DOS24B

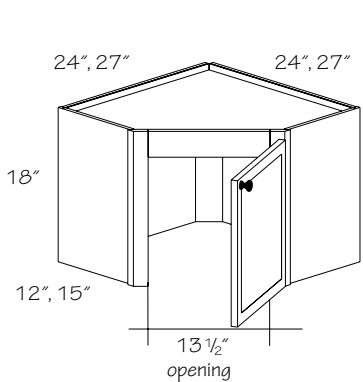


Door Storage Unit

⑩a ⑩c
DOS18 R or L
DOS24B
DOS30B

- Specify R or L for single door hinging
- Provides countertop out-of-sight storage for small appliances
- Designed to be flush mounted with 12" deep wall cabinets
- "No back" design allows easy access to electrical outlets and notching for backsplash
- Top rail is 2 1/2" high
- End panels are shipped unattached
- Interior surface of end panels are matching laminate for (SST and SDT). Interior surface of end panels are matching veneer for (PST, PDT, ADT)

- CH ②
- HK ②
- MP ②
- RO ②
- LM ②
- LM ②
- LM ②
- LM ②
- TH ②

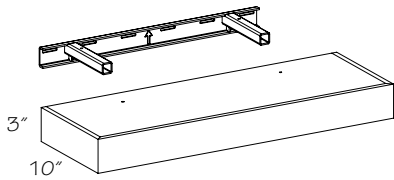


Door Storage Angle

⑩a ⑩c
DOSA24 R or L
DOSA27

- Specify R or L for single door hinging
- Access height is 15 1/2"
- Unable to be trimmed
- Top rail is 2 1/2" high
- Interior surface of end panels are matching laminate for (SST and SDT). Interior surface of end panels are matching veneer for (PST, PDT, ADT)
- Available with square doors only
- Full and traditional overlay door widths are similar to avoid interference with adjacent cabinet doors

- CH ②
- HK ②
- MP ②
- RO ②
- LM ②
- LM ②
- LM ②
- LM ②
- TH ②



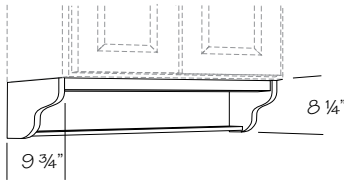
Floating Shelves

10a

10" Deep
FLS24
FLS30
FLS36
FLS42

- Solid wood/wood veneer construction hollow shelf
- Available in all finishes; highlights shipped standard finish
- Textured Laminate will be stained or painted; Laminate and Thermofoil will be painted
- ☆ Hickory finishes use Red Oak in place of Hickory
- Includes black finished one-piece mounting rail with support arms
- Rail is slotted every 4" to allow for horizontal adjustment
- Installation instructions included
- 50 lbs. capacity
- Unable to be trimmed

- ❖ **CH** ②
- ☆ **HK** ②
- ❖ **MP** ②
- ❖ **RO** ②
- ❖ **LM** ②
- ❖ **LM** ②
- ❖ **TH** ②



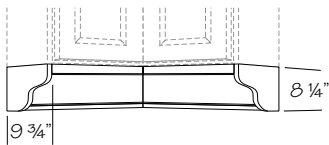
Under Cabinet Shelf

10a

UCS36

- Solid wood ends and wood veneered shelves
- 4 3/4" deep shelves with groove for displaying plates up to 6 1/8" diameter
- For use under 36" wide wall cabinets
- Back and top panels included for strength and ease of installation
- Ends can be removed so that the assembly can be cut down in 3" increments to only 12" wide for narrower cabinet applications
- Shipped assembled
- Available in all finishes; highlights shipped standard finish
- Textured Laminate will be stained or painted; Laminate and Thermofoil will be painted

- ❖ **CH** ②
- ❖ **HK** ②
- ❖ **MP** ②
- ❖ **RO** ②
- ❖ **LM** ②
- ❖ **LM** ②
- ❖ **TH** ②



Under Cabinet Corner Shelf

10a

UCSC2424

- Solid wood ends and wood veneered shelves
- 4 3/4" deep shelves with groove for displaying plates up to 6 1/8" diameter
- Fits under WA24 and WEZR24
- Extends 24" from corner in both directions
- Back and top panels included for strength and ease of installation
- Shipped assembled
- Available in all finishes; highlights shipped standard finish
- Textured Laminate will be stained or painted; Laminate and Thermofoil will be painted

- ❖ **CH** ②
- ❖ **HK** ②
- ❖ **MP** ②
- ❖ **RO** ②
- ❖ **LM** ②
- ❖ **LM** ②
- ❖ **TH** ②

Wall Panels

Construction Options and Modifications

- ❖ Included as standard
- Available with an upcharge
- ☆ Available with exceptions

(Blank) **Not** available

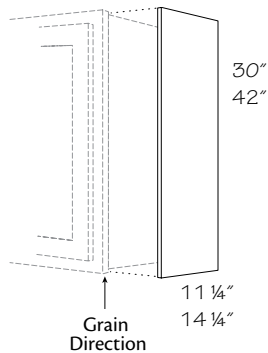
CH	Cherry	②
HK	Hickory	②
MP	Maple	②
RO	Red Oak	②
LM	Laminate	②
TL	Textured Laminate	②
TH	Thermofoil	②

Material dimensions may vary slightly based on lumber industry standards.

Specifications subject to change without notice.

Note: Textured Laminate will be stained or painted; Laminate and Thermofoil will be painted unless noted

Wall End Panel



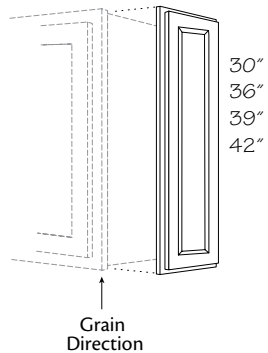
- | | |
|---------------------------------------|---------------------------------------|
| ⑩a | ⑩a |
| <i>11 1/4" Wide Paper Laminate</i> | <i>14 1/4" Wide Paper Laminate</i> |
| ◆ WEP30P | ◆ WEP1530P |
| ◆ WEP30P-6 | ◆ WEP1530P-6 |
| ◆ WEP42P | ◆ WEP1542P |
| ◆ WEP42P-6 | ◆ WEP1542P-6 |
| <i>11 1/4" Wide Textured Laminate</i> | <i>14 1/4" Wide Textured Laminate</i> |
| ▲ WEP30-TL | ▲ WEP1530-TL |
| ▲ WEP30-TL-6 | ▲ WEP1530-TL-6 |
| ▲ WEP42-TL | ▲ WEP1542-TL |
| ▲ WEP42-TL-6 | ▲ WEP1542-TL-6 |
| <i>11 1/4" Wide Veneer</i> | <i>14 1/4" Wide Veneer</i> |
| ■ WEP30 | ■ WEP1530 |
| ■ WEP30-6 | ■ WEP1530-6 |
| ■ WEP42 | ■ WEP1542 |
| ■ WEP42-6 | ■ WEP1542-6 |

- Used to trim exposed end of wall cabinet
- For right or left hand use
- 42" panels trimmable for 36" and 39" wall cabinets
- Grain direction runs lengthwise (when applicable)
- Finished one side only
- Available in all finishes; highlights shipped standard finish

- ❖ CH ②
- ❖ HK ②
- ❖ MP ②
- ❖ RO ②
- ❖ LM ②
- ❖ TL ②
- ❖ TH ②

- ◆ 3/16" thick Medium Density Fiberboard (MDF) panel with easy clean laminate front side; available in specie (TL) and will match frame finish
- ▲ 3/16" thick Textured Laminate (TL) panel, finished on one side; available in (TL) only; will match door and drawer front laminate
- 5/32" thick veneered plywood panel, except for (TH), which is 3/16" thick laminate

Matching Wall End Panel



- ⑩a
- 11 1/4" Wide*
- MWEP1230**
- MWEP1236**
- MWEP1239**
- MWEP1242**

- Provides a finished furniture look to 12" deep wall cabinet ends
- Includes end panel with decorative door
- For right or left hand use
- 5/32" thick veneered plywood panel, except for (LM, TH) which have a 3/16" thick laminate panel
- Door shipped attached to panel, except full overlay arch doors

- ❖ CH ②
- ❖ HK ②
- ❖ MP ②
- ❖ RO ②
- ❖ LM ②
- ❖ TL ②
- ❖ TH ②

Item	Panel Size		Full Overlay Door		Traditional Overlay Door	
	Width	Length	Width	Length	Width	Length
MWEP1230	11 1/4"	30"	11 5/8"	29 1/4"	10 1/4"	28"
MWEP1236	11 1/4"	36"	11 5/8"	35 1/4"	10 1/4"	34"
MWEP1239	11 1/4"	39"	11 5/8"	38 1/4"	10 1/4"	37"
MWEP1242	11 1/4"	42"	11 5/8"	41 1/4"	10 1/4"	40"

Supports and Valances

Construction Options and Modifications

- ❖ Included as standard
- Available with an upcharge
- ☆ Available with exceptions

(Blank) **Not** available

Material dimensions may vary slightly based on lumber industry standards.

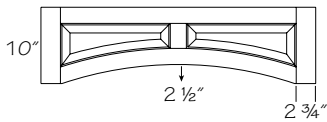
Specifications subject to change without notice.

Note: Textured Laminate will be stained or painted; Laminate and Thermofoil will be painted unless noted

10a
V48T

CH	Cherry	②
HK	Hickory	②
MP	Maple	②
RO	Red Oak	②
LM	Laminate	②
TL	Textured Laminate	②
TH	Thermofoil	②

Valance Raised Panel

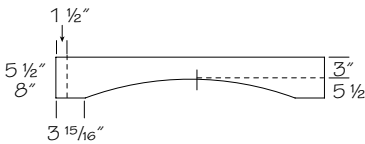


10a
V30RP
V36RP
V42RP
V48RP

- Solid wood raised center panels with cove profile
- 3/4" thick solid wood stiles and rails
- For use between wall cabinets over windows as a panel to conceal light fixtures
- Finished on both sides
- Can be trimmed in field 2" each end

- ❖ CH ②
- ❖ HK ②
- ❖ MP ②
- ❖ RO ②
- ❖ LM ②
- ❖ TL ②
- ❖ TH ②

Valance Shaker



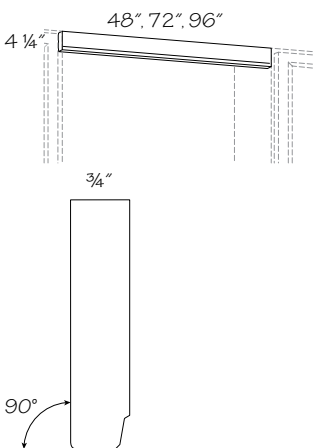
10a
5 1/2" High
V18SH
V24SH
V30SH
V36SH
V42SH
V48SH
V60SH
V72SH
V84SH

10a
8" High
V1808SH
V2408SH
V3008SH
V3608SH
V4208SH
V4808SH
V6008SH
V7208SH
V8408SH

- 3/4" thick solid wood
- For use between wall cabinets over windows as a panel to conceal light fixtures
- Finished on both sides
- Available in all finishes; highlights shipped standard finish
- No decorative profile along either long edge
- Can be field trimmed 1 1/2" each end

- ❖ CH ②
- ❖ HK ②
- ❖ MP ②
- ❖ RO ②
- ❖ LM ②
- ❖ TL ②
- ❖ TH ②

Valance Traditional



10a
Solid Wood
48" Long
■ **V48T**
72" Long
■ **V72T**
96" Long
■ **V96T**
Textured Laminate
96" Long
▲ **V96T-TL**

- Front and back sides are finished; Profiled edge; except Cotton and White which has square edge for a more contemporary look; Available in all finishes; Cotton highlights shipped standard finish, available in specie TL; will match frame finish
- ▲ Laminated Medium Density Fiberboard (MDF) on one side with two long sides edge banded; square edge; available in (TL) only; will match door and drawer front laminate

- For use between wall cabinets over windows as a panel to conceal light fixtures
- Finished on both sides

- ❖ CH ②
- ❖ HK ②
- ❖ MP ②
- ❖ RO ②
- ❖ LM ②
- ❖ TL ②
- ❖ TH ②

Wall Decorative Accents

Construction Options and Modifications

- ❖ Included as standard
- Available with an upcharge
- ☆ Available with exceptions

(Blank) **Not** available

CH	Cherry	②
HK	Hickory	②
MP	Maple	②
RO	Red Oak	②
LM	Laminate	②
TL	Textured Laminate	②
TH	Thermofoil	②

Material dimensions may vary slightly based on lumber industry standards.

Specifications subject to change without notice.

Note: Textured Laminate will be stained or painted; Laminate and Thermofoil will be painted

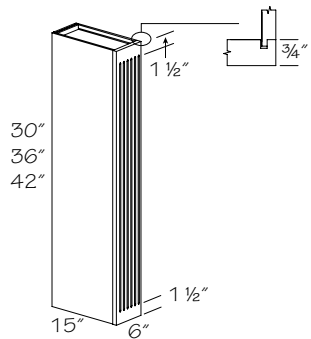
10a

WB6-1230

Wall Column Fluted

10a

WCF6-1530
WCF6-1536
WCF6-1542



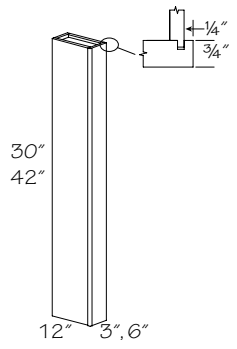
- Fluted front is 3/4" solid wood
- Six flutes
- Finished front and sides
- Flush end panels
- Vertical wood grain (when applicable)
- May be used on either right or left end
- Unavailable with (ADT)
- All finishes orderable on Standard Construction (SST, SDT); stain will ship as Plywood Ends (PST, PDT)
- (TL) construction (SST, SDT) will ship as (PST, PDT)
- Available in all finishes; painted highlights shipped standard finish

- ❖ CH ②
- ❖ HK ②
- ❖ MP ②
- ❖ RO ②
- ❖ LM ②
- ❖ TL ②
- ❖ TH ②

Wall Box

10a

3" Wide
WB3-1230
WB3-1242
6" Wide
WB6-1230
WB6-1242



- Front is 3/4" thick solid wood
- Finished front and sides
- End panels recessed 1/4"
- Vertical wood grain (when applicable)
- May be used on either right or left end
- Unavailable with (ADT)
- Available in all finishes; highlights shipped standard finish

- ❖ CH ②
- ❖ HK ②
- ❖ MP ②
- ❖ RO ②
- ❖ LM ②
- ❖ TL ②
- ❖ TH ②

Wall Fillers

Construction Options and Modifications

- ❖ Included as standard
- Available with an upcharge
- ☆ Available with exceptions

(Blank) **Not** available

Material dimensions may vary slightly based on lumber industry standards.

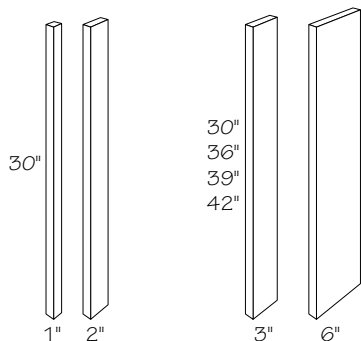
Specifications subject to change without notice.

Note: Textured Laminate will be stained or painted; Laminate and Thermofoil will be painted

CH	Cherry	②
HK	Hickory	②
MP	Maple	②
RO	Red Oak	②
LM	Laminate	②
TL	Textured Laminate	②
TH	Thermofoil	②

⑩a

WFF3-12



Wall Filler

⑩a

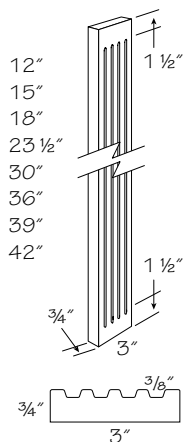
- 1" Wide
WF1-30
WF1-30-20
- 2" Wide
WF2-30
WF2-30-10
- 3" Wide
WF3-30
WF3-30-4
WF3-36
WF3-39
WF3-39-4
WF3-42
WF3-42-4
- 6" Wide
WF6-30
WF6-36
WF6-39
WF6-42

- 3/4" thick solid wood
- Backside of filler unfinished
- Overlays available for all full overlay door styles except Fusion; order separately
- Available in all finishes; highlights shipped standard finish
- Offered individually; select models offered in quantities of 4, 10 and 20

❖ CH	②
❖ HK	②
❖ MP	②
❖ RO	②
❖ LM	②
❖ TL	②
❖ TH	②

Wall Fluted Filler

⑩a



- WFF3-12**
- WFF3-15**
- WFF3-18**
- WFF3-24**
- WFF3-30**
- WFF3-36**
- WFF3-39**
- WFF3-42**

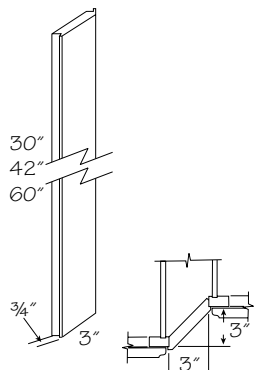
- Use between cabinets or to create a column effect. Can be combined with other moldings and panels for decorative effects
- Four flutes
- Backside of filler unfinished
- Available in all finishes; painted highlights shipped standard finish

❖ CH	②
❖ HK	②
❖ MP	②
❖ RO	②
❖ LM	②
❖ TL	②
❖ TH	②

Filler Angle

(10a)

FA3-30
FA3-42
FA3-60



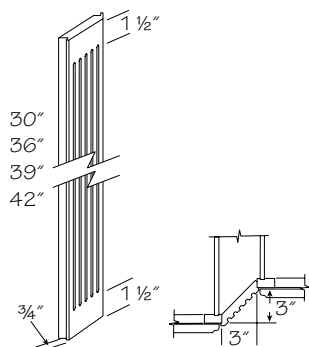
- Fills 3" space between cabinets that are offset 3"
- 3/4" thick solid wood
- For right or left hand use
- Backside of filler unfinished
- Available in all finishes; highlights shipped standard finish

- ❖ CH (2)
- ❖ HK (2)
- ❖ MP (2)
- ❖ RO (2)
- ❖ LM (2)
- ❖ TL (2)
- ❖ TH (2)

Fluted Filler Angle

(10b)

FFA3-30
FFA3-36
FFA3-39
FFA3-42



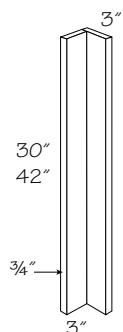
- Fills 3" space between cabinets that are offset 3"
- Five flutes
- 3/4" thick solid wood
- For right or left hand use
- Backside of filler unfinished
- Available in all finishes; painted highlights shipped standard finish

- ❖ CH (2)
- ❖ HK (2)
- ❖ MP (2)
- ❖ RO (2)
- ❖ LM (2)
- ❖ TL (2)
- ❖ TH (2)

Wall Filler Corner

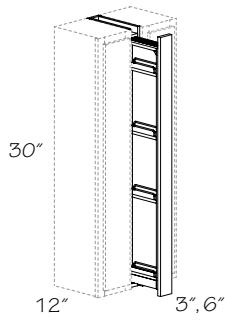
(10c)

WFC3-30
WFC3-42



- 3" on each face
- 3/4" thick solid wood
- Backside of filler unfinished
- Available in all finishes; highlights shipped standard finish

- ❖ CH (2)
- ❖ HK (2)
- ❖ MP (2)
- ❖ RO (2)
- ❖ LM (2)
- ❖ TL (2)
- ❖ TH (2)

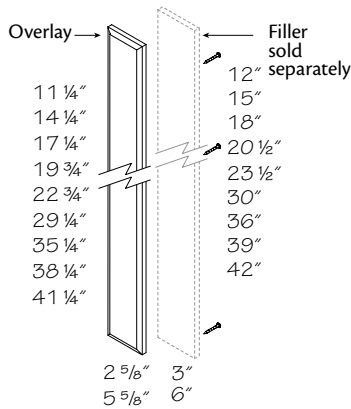


Wall Pull-Out Filler

⑩
WFP3-30
WFP6-30

- Three adjustable natural finished hardwood shelves
- 3/4" thick solid wood pre-drilled filler included, shipped unattached
- Wood filler aligns with face frames of adjacent cabinets
- Natural finish hardwood interior
- Unit slides on full-extension runners; one on the top and two at the bottom
- Install between two cabinets that are at least 30" high and 12" deep
- Overlays available for all full overlay door styles except Fusion; order separately
- WFP3-30:
 3" wide pull-out
 2 3/4" shelf width
 1 3/4" usable space between chrome rails
 3 1/16" required between adjacent cabinets
- WFP6-30:
 6" wide pull-out
 5 3/4" shelf width
 4 3/4" usable space between chrome rails
 6 1/16" required between adjacent cabinets
- Available in all finishes; highlights shipped standard finish

- ❖ CH ②
- ❖ HK ②
- ❖ MP ②
- ❖ RO ②
- ❖ LM ②
- ❖ TL ②
- ❖ TH ②



Filler Overlay

⑩a
 3" Wide
OL3-12
OL3-15
OL3-18
OL3-21
OL3-24
OL3-30
OL3-36
OL3-39
OL3-42
 6" Wide
OL6-21
OL6-24
OL6-30
OL6-36
OL6-39
OL6-42

- Attaches to 3" or 6" wide filler; sold separately
- 3/4" thick with matching profile on all four edges, sized to match door height of adjacent cabinet
- Spacers installed on backside to align with doors of adjacent cabinet
- Mounting hardware included
- Available for all full overlay door styles, except Fusion
- Specify door style, specie and finish

- ❖ CH ②
- ❖ HK ②
- ❖ MP ②
- ❖ RO ②
- ❖ LM ②
- ❖ TL ②
- ❖ TH ②

Wall Shelving

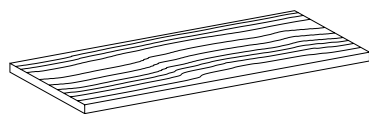
Construction Options and Modifications

- ❖ Included as standard
- Available with an upcharge
- ☆ Available with exceptions

(Blank) **Not** available

Material dimensions may vary slightly based on lumber industry standards.

Specifications subject to change without notice



Wall Replacement Shelves

⑩
 Wall - 12" Deep
 Actual depth 10 11/32"
 Finished both sides
 and one edge
RWS0912
RWS1212
RWS1512
RWS1812
RWS2112
RWS2412
RWS2712
RWS3012
RWS3312
RWS3612
RWS3912
RWS4212
RWS4512
RWS4812

Wall - 15" Deep
 Actual depth 13 11/32"
 Finished both sides
 and one edge
RWS0915
RWS1215
RWS1515
RWS1815
RWS2115
RWS2415
RWS2715
RWS3015
RWS3315
RWS3615
RWS3915
RWS4215
RWS4515
RWS4815

Wall - 24" Deep
 Actual depth 22 11/32"
 Finished both sides
 and one edge
RWS0924
RWS1224
RWS1524
RWS1824
RWS2124
RWS2424
RWS2724
RWS3024
RWS3324
RWS3624
RWS3924
RWS4224
RWS4524
RWS4824

⑩
 Peninsula Wall - 12" Deep
 Actual depth 10 5/16"
 Finished both sides
 and both edges
RWS1812PW
RWS2112PW
RWS2412PW
RWS3012PW
RWS3612PW

Wall Corner Angle
 Finished both sides
 and one edge
RWS1212WCA

Wall End Corner
 Finished both sides
 and front edges
RWS1212WEC

Wall Angle - 24" Wide
 Finished both sides
 and front edge
RWS2424WA

Wall Angle - 27" Wide
 Finished both sides
 and front edge
RWS2727WA

Wall Microwave Shelf
 Matching Interior - specify finish
 Actual size 24" Wide x 15" Deep
RWS2715WMS

Actual size 24" Wide x
 18" Deep
RWS2718WMS

Actual size 27" Wide x
 15" Deep
RWS3015WMS

Actual size 27" Wide x
 18" Deep
RWS3018WMS

Wall Microwave Shelf Cabinet
 Matching Interior - specify finish
 Finished both sides and
 three edges

Actual size 21" wide x 18" deep
RWS2418WMSC

Actual size 24" Wide x
 18" Deep
RWS2718WMSC

Wall Easy Reach
 Finished both sides
 and front edges
RWS2424WEZR

Peninsula Wall Angle
 Finished both sides
 and two edges
RWS2424PWA

- Replacement shelves for all standard size cabinets
- 3/4" thick except where noted
- Moisture-and-stain resistant, easy to clean Natural Wood laminate and matching edgebanding on exposed surfaces
- Specify cabinet construction: ADT = plywood; PDT, PST, SDT and SST = engineered wood
- Includes one shelf
- Replacement shelves are available for all cabinets that are orderable with Matching Interior option by adding MI at the end of the model
- **Note:** For reduced depth cabinets, field cut shelves to size. For increased depth cabinets, order the appropriate deeper shelf and field cut if necessary
- If ordering replacement shelves for cabinet with Matching Interior add MI at the end the model
- **Note:** Wall Microwave Shelves have Matching Interior standard

Wall Accessories

Construction Options and Modifications

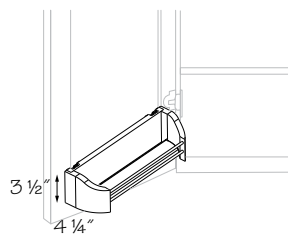
- ❖ Included as standard
- Available with an upcharge
- ☆ Available with exceptions

(Blank) **Not** available

Note: Textured Laminate will be stained or painted; Laminate and Thermofoil will be painted unless noted

CH	Cherry	②
HK	Hickory	②
MP	Maple	②
RO	Red Oak	②
LM	Laminate	②
TL	Textured Laminate	②
TH	Thermofoil	②

⑩a
DSR12-2

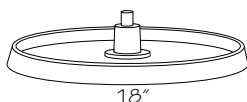


Door Spice Rack

- ⑩a
7 3/4" Wide x 4 1/4" Deep
x 3 1/2" High
DSR12
DSR12-2
- 10 3/4" Wide x 4 1/4"
Deep x 3 1/2" High
DSR15
DSR15-2
- 13 3/4" Wide x 4 1/4"
Deep x 3 1/2" High
DSR18
DSR18-2

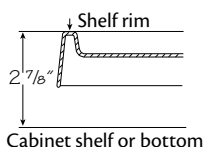
- Solid wood rack with natural finish and chrome rails
- Installs on backside of cabinet door
- Installation instructions and mounting hardware included
- DSR12 installs on 15" and 30" wide cabinets. DSR15 installs on 18" and 36" wide cabinets. DSR18 installs on 21" and 42" wide cabinets
- Unable to use on recessed, flat center panel door styles
- For raised center panel door styles, the rack is installed on the backside of the door center panel
- For use on all Fusion and Lanielle doors with adequate frame opening
- Unable to use on 24" or 27" butt door cabinets, except Fusion and Lanielle

- CH ②
- HK ②
- MP ②
- RO ②
- LM ②
- TL ②
- TH ②



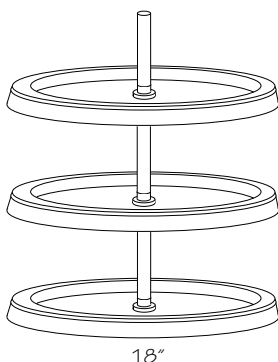
Lazy Susan Revolving Shelf Kit (One Shelf)

⑩a
LS1



- One 18" diameter wide impact white plastic shelf
- Distance from top of shelf rim to cabinet shelf or bottom is 2 7/8"
- Attaches to cabinet shelf or bottom, 1 1/2" clearance gap between bottom of shelf and cabinet shelf or bottom
- Installation instructions and mounting hardware included
- Fits 30", 36", 39" and 42" high Wall Angle and Peninsula Wall Angle cabinets

- CH ②
- HK ②
- MP ②
- RO ②
- LM ②
- TL ②
- TH ②

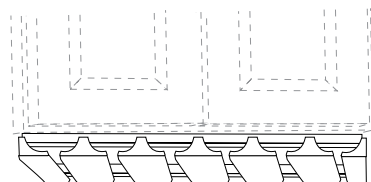


Lazy Susan Revolving Shelf Kit (Three Shelves)

⑩a
LS3

- Three 18" diameter wide impact white plastic shelves that rotate together
- Fits 24" wide Wall Angle and Peninsula Wall Angle cabinets
- Replaces adjustable shelves shipped with cabinet
- Includes center post and installation hardware
- Adjust 22" to 33" in height

- CH ②
- HK ②
- MP ②
- RO ②
- LM ②
- TL ②
- TH ②

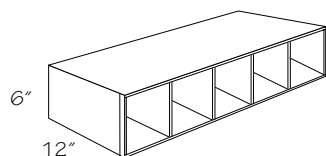


Stem Glass Holder

⑩a
SGH30
SGH30-10
SGH36
SGH36-10

- Solid wood
- SGH30 - six 11 3/16" long x 1 3/8" wide slots
- SGH36 - eight 11 3/16" long x 1 3/8" wide slots
- Fits under standard 12" deep wall cabinet
- Rack may be cut down for narrower cabinet application
- Installation instructions and mounting hardware included
- Available in all finishes; highlights shipped standard finish

- ❖ CH ②
- ❖ HK ②
- ❖ MP ②
- ❖ RO ②
- ❖ LM ②
- ❖ TL ②
- ❖ TH ②



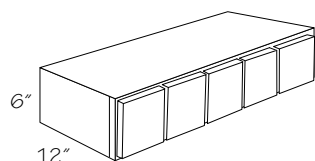
OCO30 shown

Open Cube Organizer

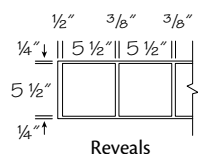
⑩a
OCO18 3 compartments
OCO24 4 compartments
OCO30 5 compartments
OCO36 6 compartments

- 5 1/4" x 5 1/4" square compartments
- Units may be stacked horizontally or mounted vertically
- Matching wood veneer interior and exterior surfaces
- Includes a matching solid wood strip at each end to align with cabinet when installed horizontally
- Use a Wall End Panel on exposed sides to cover end panel joints between wall cabinet and organizer
- Available in all finishes; highlights shipped standard finish

- ❖ CH ②
- ❖ HK ②
- ❖ MP ②
- ❖ RO ②
- ❖ LM ②
- ❖ TL ②
- ❖ TH ②



SDO30 shown



Spice Drawer Organizer

⑩a
SDO18 3 drawers
SDO24 4 drawers
SDO30 5 drawers
SDO36 6 drawers

- Solid half blind, 1/2" thick, dovetail drawers. Finished with durable topcoat. Interior dimensions: 4 1/8" wide x 10" front to back x 4 7/16" deep
- 5 1/2" x 5 1/2" x 3/4" thick drawer fronts with rounded front edges. No ogee profile
- Thermofoil drawer fronts will be vinyl laminated MDF, Textured Laminate and Laminate drawer fronts will be stained or painted solid wood
- Moisture and stain resistant, easy clean laminate on interior drawer bottom printed to match sides, front and back
- Matching wood veneer interior and exterior surfaces
- Includes a matching solid wood strip at each end to align with cabinet when installed horizontally
- Units may be stacked horizontally or mounted vertically
- Use a Wall End Panel on exposed sides to cover end panel joints between wall cabinet and organizer
- Available in all finishes; highlights shipped standard finish

- ❖ CH ②
- ❖ HK ②
- ❖ MP ②
- ❖ RO ②
- ❖ LM ②
- ❖ TL ②
- ❖ TH ②

Notes

Base Cabinets

Construction Options and Modifications

- ❖ Included as standard
- Available with an upcharge
- ☆ Available with exceptions

(Blank) **Not** available

Cabinets with a "B" suffix have BUTT doors without a center stile

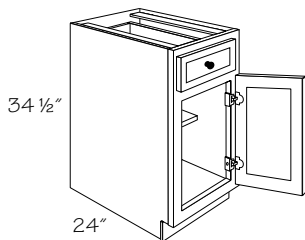
Material dimensions may vary slightly based on lumber industry standards.

Specifications subject to change without notice.

10a 10c 10d
B12 **L** **HDS**

SST	Construction	7
SDT	Construction	7
PST	Construction	7
PDT	Construction	7
ADT	Construction	7
12	Depth Modification	10b
15	Depth Modification	10b
18	Depth Modification	10b
21	Depth Modification	10b
HDS	Half Depth Shelf	10a
FDS	Full Depth Shelf	10a
ST	Standard Trays	10a
WT	Wood Trays	10a
FT	Standard Full-Width Trays	10a
WF	Wood Full-Width Trays	10a
DT	Deluxe Trays	10a
DF	Deluxe Full-Width Trays	10a
CFO	Cabinet Front Only	10g
CSO	Case Only	10g
VTK	Void Toe Kick	10g

Base Single Door



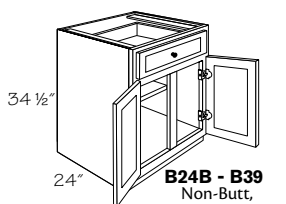
HDS option shown

10a	10c	10d
B12	R or L	HDS
B15	R or L	HDS
B18	R or L	HDS
B21	R or L	HDS
B24	R or L	HDS

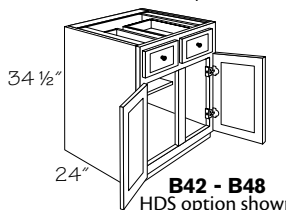
- Specify R or L for single door hinging
- Standard height top drawer
- Back panel is pre-drilled for optional accessory Tray Kits
- ☆ Tray options are available for cabinets with select depth modifications. See Construction Options for specifics
- **Note:** When depth is reduced to 12" or 15", drawers become false fronts
- **Note:** For tray or shelf options for select cabinets, replace HDS with the option code of your choice

❖ SST 7	● FDS 10a
❖ SDT 7	☆ ST 10a
● PST 7	☆ WT 10a
● PDT 7	☆ FT 10a
● ADT 7	☆ WF 10a
● 12 10b	☆ DT 10a
● 15 10b	☆ DF 10a
● 18 10b	● CFO 10g
● 21 10b	● CSO 10g
❖ HDS 10a	● VTK 10g

Base Double Door



B24B - B39
Non-Butt,
HDS option shown



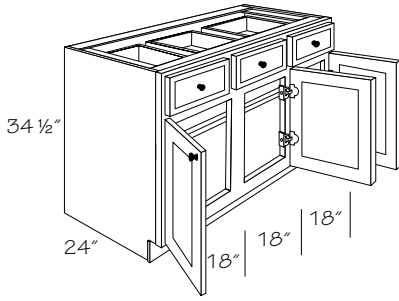
B42 - B48
HDS option shown

10a	10c
<i>One drawer</i>	
B24B	HDS
B27B	HDS
B30	HDS
B30B	HDS
B33	HDS
B33B	HDS
B36	HDS
B36B	HDS
B39	HDS
<i>Two drawers</i>	
B42	HDS
B45	HDS
B48	HDS

- Standard height top drawers
- ☆ Tray options are available for cabinets with select depth modifications. See Construction Options for specifics
- Back panel is pre-drilled for optional accessory Tray Kits
- 42" to 48" wide cabinets have a full-width support cross rail across top back of cabinet
- **Note:** When depth is reduced to 12" or 15", drawers become false fronts
- **Note:** For tray or shelf options for select cabinets, replace HDS with the option code of your choice

❖ SST 7	● FDS 10a
❖ SDT 7	☆ ST 10a
● PST 7	☆ WT 10a
● PDT 7	☆ FT 10a
● ADT 7	☆ WF 10a
● 12 10b	☆ DT 10a
● 15 10b	☆ DF 10a
● 18 10b	● CFO 10g
● 21 10b	● CSO 10g
❖ HDS 10a	● VTK 10g

Base Three Door



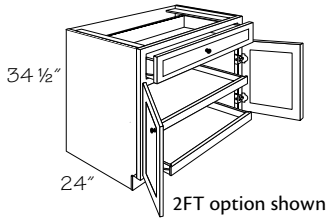
HDS option shown

10a 10c
B54 HDS

- Three standard height drawers
- Three equal sized doors; center door hinged right
- Full-width support cross rail across top front and back of cabinet
- Back panel is pre-drilled for optional accessory Tray Kits
- ☆ Tray options are available for cabinets with select depth modifications. See Construction Options for specifics
- **Note:** When depth is reduced to 12" or 15", drawers become false fronts
- **Note:** For tray or shelf options for select cabinets, replace HDS with the option code of your choice

- ❖ SST 7 ● FDS 10c
- ❖ SDT 7 ☆ ST 10c
- PST 7 ☆ WT 10c
- PDT 7 FT 10c
- ADT 7 WF 10c
- 12 10b ☆ DT 10c
- 15 10b DF 10c
- 18 10b ● CFO 10c
- 21 10b ● CSO 10c
- ❖ HDS 10c ● VTK 10c

Base Butt Door - Full Extension Tray



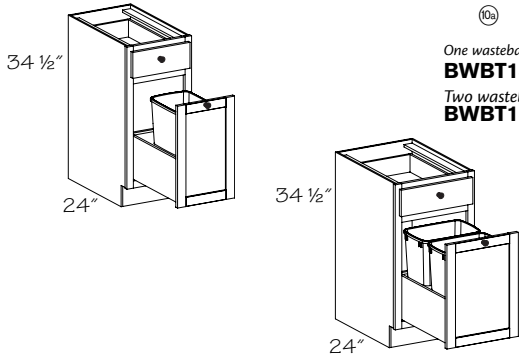
2FT option shown

10a 10c
BSD30B 2FT
BSD36B 2FT

- One standard height full-width drawer
- Roll-Out Trays are full-extension
- **Note:** Please select tray option

- ❖ SST 7 ● FDS 10c
- ❖ SDT 7 ST 10c
- PST 7 WT 10c
- PDT 7 ● FT 10c
- ADT 7 ● WF 10c
- 12 10b DT 10c
- 15 10b ● DF 10c
- 18 10b ● CFO 10c
- 21 10b ● CSO 10c
- HDS 10c ● VTK 10c

Base Wastebasket

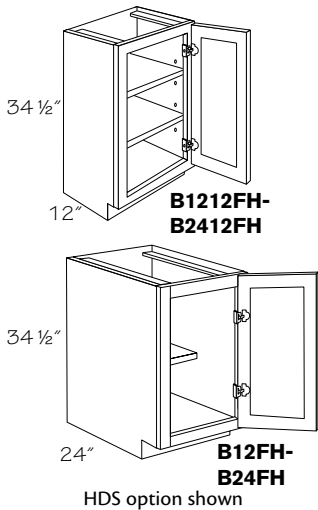


10a
 One wastebasket
BWBT15
 Two wastebaskets
BWBT18

- Top drawer is standard construction; deep bottom drawer is solid wood dovetail construction with an 8 5/8" interior height
- Door is attached to wastebasket drawer box assembly using 4" brackets and is pulled open to access basket(s)
- Deep bottom drawer includes a plywood deck with cut-outs for the wastebasket(s); deck holds wastebasket(s) in place and allows for easy removal for emptying and cleaning
- Deep drawer box slides on soft-close full-extension glides

- ❖ SST 7 ● FDS 10c
- ❖ SDT 7 ST 10c
- PST 7 WT 10c
- PDT 7 FT 10c
- ADT 7 WF 10c
- 12 10b DT 10c
- 15 10b DF 10c
- 18 10b ● CFO 10c
- 21 10b ● CSO 10c
- HDS 10c ● VTK 10c

Base Single Door Full-Height



**B1212FH-
B2412FH**

**B12FH-
B24FH**
 HDS option shown

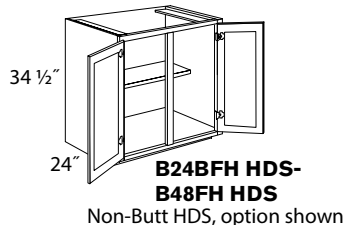
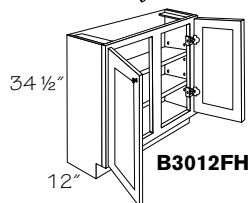
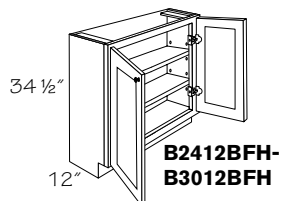
10a 10c 10d
 12" Deep
 ■▲B1212FH R or L
 ■▲B1512FH R or L
 ■▲B1812FH R or L
 ■▲B2112FH R or L
 ■▲B2412FH R or L
 24" Deep
 ▲B9FH R or L
 B12FH R or L HDS
 B15FH R or L HDS
 B18FH R or L HDS
 B21FH R or L HDS
 B24FH R or L HDS

■ Depth modification options are unavailable
 ▲ Unavailable with tray or shelf options

- Specify R or L for single door hinging
- 24" deep cabinets back panel is pre-drilled for optional accessory Tray Kits (excluding B9FH)
- ☆ Tray options are available for cabinets with select depth modifications. See Construction Options for specifics
- B9FH has no shelf
- **Note:** For tray or shelf options for select cabinets, replace HDS with the option code of your choice

- ❖ SST 7 ● FDS 10c
- ❖ SDT 7 ☆ ST 10c
- PST 7 ☆ WT 10c
- PDT 7 FT 10c
- ADT 7 WF 10c
- 12 10b ☆ DT 10c
- 15 10b DF 10c
- 18 10b ● CFO 10c
- 21 10b ● CSO 10c
- ❖ HDS 10c ● VTK 10c

Base Double Door Full-Height



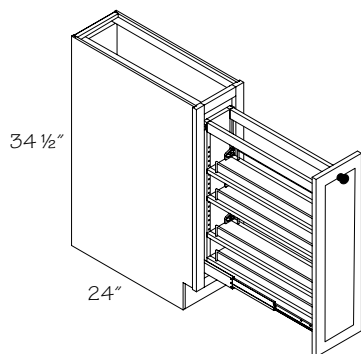
- (10a) (10c)
- 12" Deep
- ▲ B2412BFH
 - ▲ B2712BFH
 - ▲ B3012BFH
 - ▲ B3012FH
- 24" Deep
- | | |
|--------|-----|
| B24BFH | HDS |
| B27BFH | HDS |
| B30BFH | HDS |
| B30FH | HDS |
| B33BFH | HDS |
| B33FH | HDS |
| B36FH | HDS |
| B36BFH | HDS |
| B39FH | HDS |
| B42FH | HDS |
| B45FH | HDS |
| B48FH | HDS |

- ▲ Unavailable with tray or shelf options
- Depth modification options are unavailable

- 24" deep cabinets back panel is pre-drilled for optional accessory Tray Kits
- ☆ Tray options are available for cabinets with select depth modifications. See Construction Options for specifics
- 42" to 48" wide cabinets have a full-width support cross rail across top back of cabinet
- **Note:** For tray or shelf options for select cabinets, replace HDS with the option code of your choice

- | | |
|-------------|-------------|
| ◆ SST (7) | ● FDS (10c) |
| ◆ SDT (7) | ☆ ST (10c) |
| ● PST (7) | ☆ WT (10c) |
| ● PDT (7) | ☆ FT (10c) |
| ● ADT (7) | ☆ WF (10c) |
| ● 12 (10b) | ☆ DT (10c) |
| ● 15 (10b) | ☆ DF (10c) |
| ● 18 (10b) | ● CFO (10c) |
| ● 21 (10b) | ● CSO (10c) |
| ◆ HDS (10c) | ● VTK (10c) |

Base Pull-Out



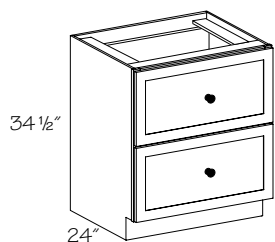
(10a)

BPO9

- Four-tier (three adjustable shelves) Maple base organizer with clear coat finish
- Full-height door attached to pull-out
- Tiers are 3 3/4" wide
- 1/4" diameter chrome plated steel rail side extensions help prevent stored items from falling out, yet still viewable
- White epoxy coated full-extension ball bearing slides

- | | |
|-------------|-------------|
| ◆ SST (7) | ● FDS (10c) |
| ◆ SDT (7) | ☆ ST (10c) |
| ● PST (7) | ☆ WT (10c) |
| ● PDT (7) | ☆ FT (10c) |
| ● ADT (7) | ☆ WF (10c) |
| ● 12 (10b) | ☆ DT (10c) |
| ● 15 (10b) | ☆ DF (10c) |
| ● 18 (10b) | ● CFO (10c) |
| ● 21 (10b) | ● CSO (10c) |
| ◆ HDS (10c) | ● VTK (10c) |

Base Pots and Pans Storage

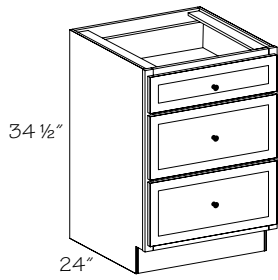


(10a)

BPPS27-2D
BPPS30-2D
BPPS33-2D
BPPS36-2D

- Two solid wood deep Dovetail drawers
- Drawer interior height is 8 5/8"
- Heavy duty full-extension undermount guides
- Full-width support cross rail across top front of cabinet

- | | |
|-------------|-------------|
| ◆ SST (7) | ● FDS (10c) |
| ◆ SDT (7) | ☆ ST (10c) |
| ● PST (7) | ☆ WT (10c) |
| ● PDT (7) | ☆ FT (10c) |
| ● ADT (7) | ☆ WF (10c) |
| ● 12 (10b) | ☆ DT (10c) |
| ● 15 (10b) | ☆ DF (10c) |
| ● 18 (10b) | ● CFO (10c) |
| ● 21 (10b) | ● CSO (10c) |
| ◆ HDS (10c) | ● VTK (10c) |



Base Three Drawer

10a

3/4 Extension Drawer

- **BD12-3D**
- **BD15-3D**
- **BD18-3D**
- **BD21-3D**
- **BD24-3D**
- **BD27-3D**

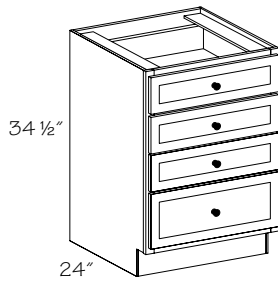
Full Extension Drawer

- ※▲ **BD30-3D**
- ※▲ **BD33-3D**
- ※▲ **BD36-3D**

- SST and PST construction will have standard 3/4 extension side mount slides on all three drawers. SDT, PDT, and ADT construction will have full-extension undermount soft-close slides on all three drawers
- ▲ SST and PST construction will have standard 3/4 extension side mount slides on top drawer and full extension ball bearing side mount slides on deep drawers. SDT, PDT, and ADT construction will have full-extension undermount soft-close slides on all three drawers
- * SST and PST construction reduced depth to 18", will have epoxy side mounted standard 3/4 extension slides on all drawers

- One standard height drawer on top
- Two deep drawers on bottom
- **Note:** See frame dimensions in the Cabinet Specifications section for drawer opening heights

◆ SST 7	● FDS 10c
◆ SDT 7	● ST 10c
● PST 7	● WT 10c
● PDT 7	● FT 10c
● ADT 7	● WF 10c
12 10c	● DT 10c
15 10c	● DF 10c
● 18 10c	● CFO 10c
● 21 10c	● CSO 10c
HDS 10c	● VTK 10c



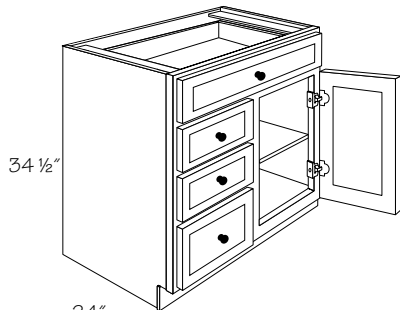
Base Four Drawer

10a

- BD12-4D**
- BD15-4D**
- BD18-4D**
- BD21-4D**
- BD24-4D**
- BD27-4D**

- Three standard height drawers
- One deep drawer on bottom

◆ SST 7	● FDS 10c
◆ SDT 7	● ST 10c
● PST 7	● WT 10c
● PDT 7	● FT 10c
● ADT 7	● WF 10c
12 10c	● DT 10c
15 10c	● DF 10c
● 18 10c	● CFO 10c
● 21 10c	● CSO 10c
HDS 10c	● VTK 10c



Base Combination Four Drawer

10a

- BCD24 DR or DL-4D**
- BCD30 DR or DL-4D**
- BCD36 DR or DL-4D**

10a

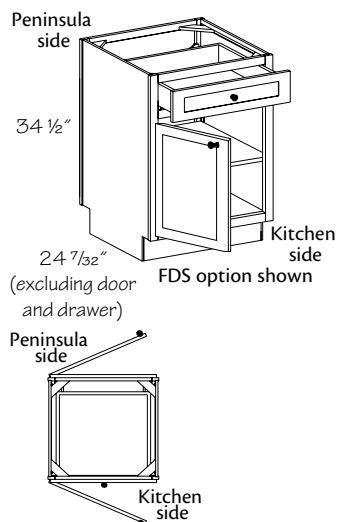
- FDS**
- FDS**
- FDS**

- Specify DR (Drawer Right) or DL (Drawer Left) position for drawers
- Three standard height drawers; top drawer is full-width
- One deep drawer
- Back panel is pre-drilled for optional accessory Tray Kits
- **Note:** Select (FDS) or a tray option for this cabinet

◆ SST 7	● FDS 10c
◆ SDT 7	● ST 10c
● PST 7	● WT 10c
● PDT 7	● FT 10c
● ADT 7	● WF 10c
12 10c	● DT 10c
15 10c	● DF 10c
● 18 10c	● CFO 10c
● 21 10c	● CSO 10c
HDS 10c	● VTK 10c

FDS option shown

Peninsula Base Single Door

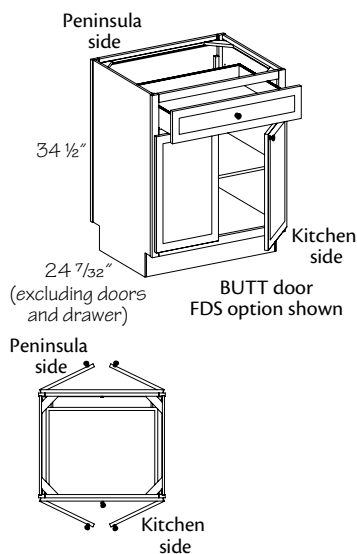


	(10a)	(10c)
PB18	FDS	
PB21	FDS	
PB24	FDS	

- One standard height full-width drawer opens on kitchen side
- Peninsula side has one full-width false drawer front above door
- Each side has one door hinged at the same end of cabinet
- Door hinged left on kitchen side
- **Note:** Select (FDS) or a tray option for this cabinet
- **Note:** Because these cabinets do **not** have back panels, it is **not** recommended to use Peninsula Base cabinets in island applications. Failure to follow this limitation could cause serious injury and will void the product warranty

❖ SST (7)	● FDS (10a)
❖ SDT (7)	● ST (10c)
● PST (7)	● WT (10c)
● PDT (7)	● FT (10c)
● ADT (7)	● WF (10c)
12 (10b)	● DT (10c)
15 (10b)	● DF (10c)
18 (10b)	● CFO (10c)
21 (10b)	● CSO (10c)
HDS (10a)	● VTK (10c)

Peninsula Base Double Door



	(10a)	(10c)
PB24B	FDS	
PB27B	FDS	
PB30	FDS	
PB30B	FDS	
PB36	FDS	
PB36B	FDS	

- One standard height full-width drawer opens on kitchen side
- Peninsula side has one full-width false drawer front above doors
- Each side has two doors
- 3" wide center stile in top section only
- **Note:** Select (FDS) or a tray option for this cabinet
- **Note:** Because these cabinets do **not** have back panels, it is **not** recommended to use Peninsula Base cabinets in island applications. Failure to follow this limitation could cause serious injury and will void the product warranty

❖ SST (7)	● FDS (10a)
❖ SDT (7)	● ST (10c)
● PST (7)	● WT (10c)
● PDT (7)	☆ FT (10c)
● ADT (7)	☆ WF (10c)
12 (10b)	☆ DT (10c)
15 (10b)	☆ DF (10c)
18 (10b)	● CFO (10c)
21 (10b)	● CSO (10c)
HDS (10a)	● VTK (10c)

Base Sink and Appliance Cabinets

Construction Options and Modifications

- ❖ Included as standard
 - Available with an upcharge
 - ☆ Available with exceptions
- (Blank) **Not** available

Cabinets with a "B" suffix have BUTT doors without a center stile

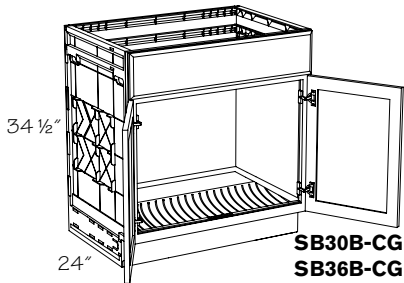
Material dimensions may vary slightly based on lumber industry standards.

Specifications subject to change without notice.

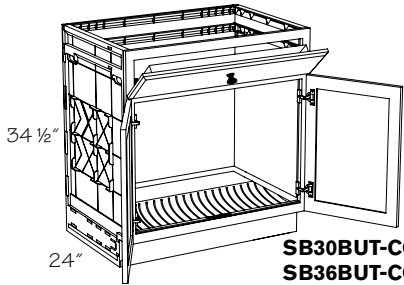
- SST Construction ----- (7)
- SDT Construction ----- (7)
- PST Construction ----- (7)
- PDT Construction ----- (7)
- ADT Construction ----- (7)
- 12 Depth Modification ----- (10b)
- 15 Depth Modification ----- (10b)
- 18 Depth Modification ----- (10b)
- 21 Depth Modification ----- (10b)
- CFO Cabinet Front Only ----- (10g)
- CSO Case Only ----- (10g)
- VTK Void Toe Kick ----- (10g)

(10a)
SFDB4242

CoreGuard® Sink Base



(10a)
Without Utility Tray
SB30B-CG
SB33B-CG
SB36B-CG
With Utility Tray
SB30BUT-CG
SB33BUT-CG
SB36BUT-CG



Opening Sizes		
Cabinet Width	Top Width	Top Depth
30"	27 1/16"	22 3/8"
33"	30 1/16"	22 3/8"
36"	33 1/16"	22 3/8"

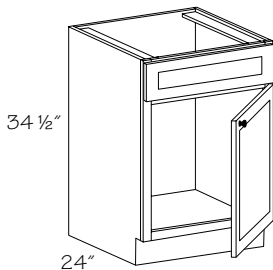
- No shelf
- One full-width false drawer front above doors
- Light beige color interior
- ☆ Regardless of construction option, model is constructed the same. Shipped with back, end and bottom panels made of an engineered polymer material
- Decorative end panel required for end of peninsula or island; order separately
- Bottom panel slants 1° toward front of cabinet and has raised ribs to slightly elevate stored items
- Easy to clean, durable sink base helps protect the cabinetry from everyday leaks and spills
- For cabinet back panel plumbing installation errors, CoreGuard® Panel Backer is available. See CGPB36 in Panels section. Order separately
- ☆ **Note:** (CSO) option unavailable with cabinets with a Utility Tray

- ☆ SST (7)
- ☆ SDT (7)
- ☆ PST (7)
- ☆ PDT (7)
- ☆ ADT (7)
- 12 (10b)
- 15 (10b)
- 18 (10b)
- 21 (10b)
- CFO (10g)
- ☆ CSO (10g)
- VTK (10g)



Caution: For an island/peninsula installation, the CoreGuard® Sink cabinet needs to have a min. of (1) 15" cabinet or larger installed adjacent to it in order for the island/peninsula to have adequate structural stability. Accessories are unable to be installed on end panels, back or floor of the cabinet

Sink Base Single Door

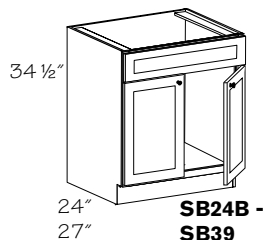


(10b) (10c)
Without Utility Tray
SB12 R or L
SB15 R or L
SB18 R or L
SB21 R or L
SB24 R or L
With Utility Tray
SB24UT R or L

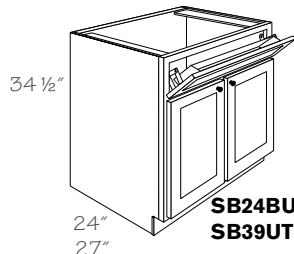
- Specify R or L for single door hinging
- No shelf
- One full-width false drawer front
- Back panel is pre-drilled for optional accessory Tray Kits
- ☆ **Note:** (CFO) and (CSO) option is unavailable for cabinets with a Utility Tray

- ☆ SST (7)
- ❖ SDT (7)
- PST (7)
- PDT (7)
- ADT (7)
- 12 (10b)
- 15 (10b)
- 18 (10b)
- 21 (10b)
- ☆ CFO (10g)
- ☆ CSO (10g)
- VTK (10g)

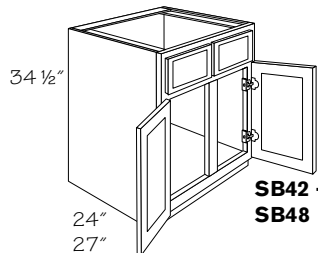
Sink Base Double Door



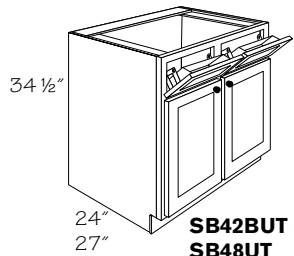
24" **SB24B - SB39**



24" **SB24BUT - SB39UT**



24" **SB42 - SB48**



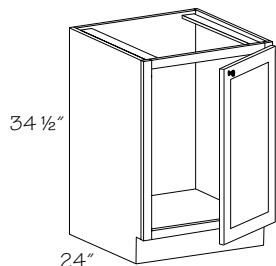
24" **SB42BUT - SB48UT**

- | | |
|-------------------------------------------------------------------------------------------------------------------------------------------------------------------------------------------------------------------------------------------------------------------------------------------------------------------------------------------------------------------------------------------------------------------------------------------------------------------------------------------------------------------------------------------------------------------------|-----------------------------------------------------------------------------------------------------------------------------------------------------------------------------------------------------------------------------------------------------------------------------------------------------------------------------------------------------------------------------------------------------------------------------------------------------------------------------------------------------------------------------------------------------|
| <p>⑩a</p> <p>24" Deep</p> <p>Without Utility Tray</p> <p>SB24B</p> <p>SB27B</p> <p>SB30</p> <p>SB30B</p> <p>SB33</p> <p>SB33B</p> <p>SB36</p> <p>SB36B</p> <p>SB39</p> <p>SB42</p> <p>SB48</p> <p>27" Deep</p> <p>Without Utility Tray</p> <p>■ SB2727B</p> <p>■ SB3027</p> <p>■ SB3027B</p> <p>■ SB3327</p> <p>■ SB3327B</p> <p>■ SB3627</p> <p>■ SB3627B</p> <p>■ SB4227</p> <p>■ Depth modification options are unavailable</p> | <p>⑩a</p> <p>24" Deep</p> <p>With Utility Tray</p> <p>SB24BUT</p> <p>SB27BUT</p> <p>SB30UT</p> <p>SB30BUT</p> <p>SB33UT</p> <p>SB33BUT</p> <p>SB36UT</p> <p>SB36BUT</p> <p>SB39UT</p> <p>SB42UT</p> <p>SB48UT</p> <p>27" Deep</p> <p>With Utility Tray</p> <p>■ SB2727BUT</p> <p>■ SB3027UT</p> <p>■ SB3027BUT</p> <p>■ SB3327UT</p> <p>■ SB3327BUT</p> <p>■ SB3627UT</p> <p>■ SB3627BUT</p> <p>■ SB4227UT</p> |
|-------------------------------------------------------------------------------------------------------------------------------------------------------------------------------------------------------------------------------------------------------------------------------------------------------------------------------------------------------------------------------------------------------------------------------------------------------------------------------------------------------------------------------------------------------------------------|-----------------------------------------------------------------------------------------------------------------------------------------------------------------------------------------------------------------------------------------------------------------------------------------------------------------------------------------------------------------------------------------------------------------------------------------------------------------------------------------------------------------------------------------------------|

- No shelf
- Full-width false drawer front above doors except 42" to 48" wide, which have two drawer fronts
- 42" to 48" wide cabinets have a full-width support cross rail across top back of cabinet
- Back panel is pre-drilled for optional accessory Tray Kits
- Optional accessory Tray Kits unavailable for 27" deep cabinets
- ☆ **Note:** (CFO) and (CSO) option is unavailable for cabinets with a Utility Tray

- ❖ **SST** ⑦
- ❖ **SDT** ⑦
- **PST** ⑦
- **PDT** ⑦
- **ADT** ⑦
- **12** ⑩a
- **15** ⑩a
- **18** ⑩a
- **21** ⑩a
- ☆ **CFO** ⑩a
- ☆ **CSO** ⑩a
- **VTK** ⑩a

Sink Base Single Door Full-Height



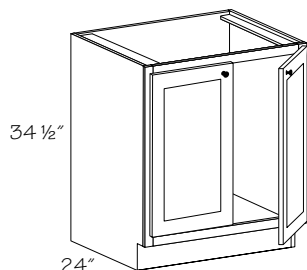
24"

- ⑩a ⑩c
- SB24FH R or L**

- Specify R or L for single door hinging
- No shelf
- Back panel is pre-drilled for optional accessory Tray Kits

- ❖ **SST** ⑦
- ❖ **SDT** ⑦
- **PST** ⑦
- **PDT** ⑦
- **ADT** ⑦
- **12** ⑩a
- **15** ⑩a
- **18** ⑩a
- **21** ⑩a
- **CFO** ⑩a
- **CSO** ⑩a
- **VTK** ⑩a

Sink Base Double Door Full-Height



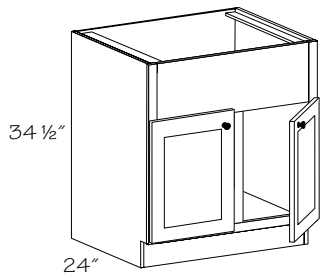
24"

- ⑩a
- SB24BFH**
- SB27BFH**
- SB30FH**
- SB30BFH**
- SB33FH**
- SB33BFH**
- SB36FH**
- SB36BFH**
- SB39FH**
- SB42FH**
- SB48FH**

- No shelf
- Back panel is pre-drilled for optional accessory Tray Kits
- 42" to 48" wide cabinets have a full-width support cross rail across top back of cabinet

- ❖ **SST** ⑦
- ❖ **SDT** ⑦
- **PST** ⑦
- **PDT** ⑦
- **ADT** ⑦
- **12** ⑩a
- **15** ⑩a
- **18** ⑩a
- **21** ⑩a
- **CFO** ⑩a
- **CSO** ⑩a
- **VTK** ⑩a

Deep Sink Base



⑩
DSB30
DSB33
DSB36

- No shelf
- Designed for use with “farm/farm house” style sinks
- Trimmable face frame rail across top
- Face frame center stile included on all widths to provide extra sink support
- Back panel is pre-drilled for optional accessory Tray Kits

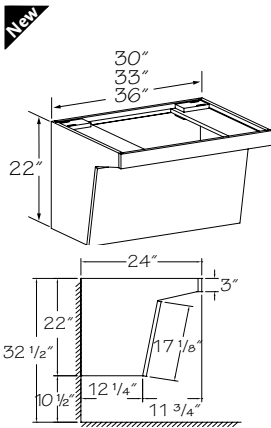
- ❖ **SST** ⑦
- ❖ **SDT** ⑦
- **PST** ⑦
- **PDT** ⑦
- **ADT** ⑦
- 12 ⑩b
- 15 ⑩b
- 18 ⑩b
- 21 ⑩b
- **CFO** ⑩g
- **CSO** ⑩g
- **VTK** ⑩g



Be sure to follow sink manufacturer specifications and instructions to ensure proper fit. Make sure to choose a cabinet that is at least 4 1/2” wider than the outside sink dimensions

Maximum Trimmable Opening Sizes

Cabinet	Max Width	Max Height
DSB30	25 1/2"	9 1/2"
DSB33	28 1/2"	9 1/2"
DSB36	31 1/2"	9 1/2"



Base Floating Plumbing Skirt True

⑩
BFPST30
BFPST33
BFPST36

Grey color coding indicates new product, size or code.

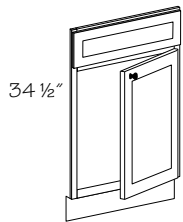
- All cabinet components are constructed of plywood
- ☆ Regardless of construction option, model is constructed the same
- Available in all finishes; highlights shipped standard finish

- ☆ **SST** ⑦
- ☆ **SDT** ⑦
- ☆ **PST** ⑦
- ☆ **PDT** ⑦
- ☆ **ADT** ⑦
- 12 ⑩b
- 15 ⑩b
- 18 ⑩b
- 21 ⑩b
- **CFO** ⑩g
- **CSO** ⑩g
- **VTK** ⑩g



Warning: Floating plumbing unit must be securely attached to wall studs

Sink Front Single Door

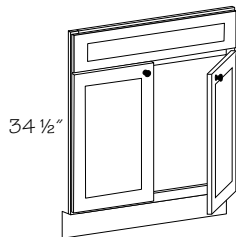


⑩
SF24 R or L

- Specify R or L for single door hinging
- One full-width false drawer front
- Toe Kick Backer assembly included; shipped unattached
- Bottom panel **not** included; order Sink Front Bottom (SFB2336) separately

- ☆ **SST** ⑦
- ☆ **SDT** ⑦
- ☆ **PST** ⑦
- ☆ **PDT** ⑦
- ☆ **ADT** ⑦
- 12 ⑩b
- 15 ⑩b
- 18 ⑩b
- 21 ⑩b
- **CFO** ⑩g
- **CSO** ⑩g
- **VTK** ⑩g

Sink Front Double Door

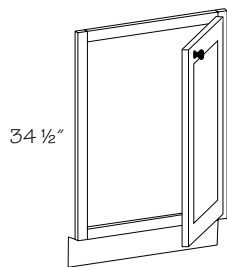


⑩
SF24B
SF30
SF30B
SF36
SF36B

- One full-width false drawer front
- Toe Kick Backer assembly included; shipped unattached
- Bottom panel **not** included; order Sink Front Bottom (SFB2336) separately
- ☆ Regardless of construction option, model is shipped the same

- ☆ **SST** ⑦
- ☆ **SDT** ⑦
- ☆ **PST** ⑦
- ☆ **PDT** ⑦
- ☆ **ADT** ⑦
- 12 ⑩b
- 15 ⑩b
- 18 ⑩b
- 21 ⑩b
- **CFO** ⑩g
- **CSO** ⑩g
- **VTK** ⑩g

Sink Front Single Door Full-Height

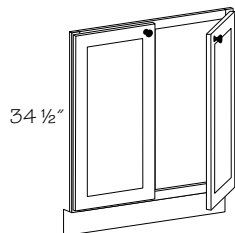


(10a)
SF24FH

- Invertible for right or left hand use
- Toe Kick Backer assembly included; shipped unattached
- Bottom panel **not** included; order Sink Front Bottom (SFB2336) separately
- ☆ Regardless of construction option, model is shipped the same

☆ SST (7)
☆ SDT (7)
☆ PST (7)
☆ PDT (7)
☆ ADT (7)
12 (10a)
15 (10a)
18 (10a)
21 (10a)
CFO (10a)
CSO (10a)
VTK (10a)

Sink Front Double Door Full-Height

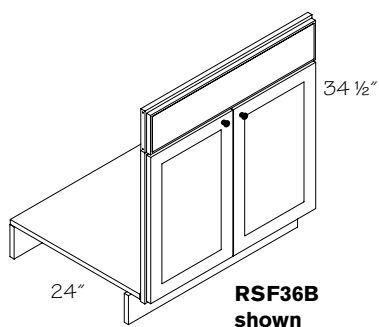


(10b)
SF24BFH
SF30FH
SF30BFH
SF36FH
SF36BFH

- Toe Kick Backer assembly included; shipped unattached
- Bottom panel **not** included; order Sink Front Bottom (SFB2336) separately
- ☆ Regardless of construction option, model is shipped the same

☆ SST (7)
☆ SDT (7)
☆ PST (7)
☆ PDT (7)
☆ ADT (7)
12 (10a)
15 (10a)
18 (10a)
21 (10a)
CFO (10a)
CSO (10a)
VTK (10a)

Removable Sink Front Double Door



(10c)
RSF30B
RSF33B
RSF36B
RSF42

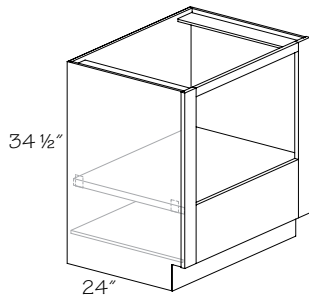
- Designed for easy field conversion from a standard sink base functionality to access open space
- Permanently installed countertop support rail is 6 1/2" high x 3/4" thick solid wood with a factory installed standard height matching false drawer front(s) providing a seamless sink base appearance. (1) full-width drawer front on 30", 33" and 36" widths; (2) false drawer fronts on 42" wide
- If a shorter countertop support is required when used for universal access as additional vertical clearance, a 3" filler can be used in place of the 6 1/2" high support rail. Order separately
- 3/4" thick removable plywood bottom panel with support hardware / leveling legs and a removable clipped-on toeboard provided
- Matching solid wood baseboard provided for bottom panel support along the kitchen wall
- Frame, doors, floor bottom and toe board can be flat packed for easy storage in a min. amount of space
- Frame attached to bottom panel using quick connect (cam-locks) fasteners providing a solid tight joint
- Some field assembly required; instructions and hardware included
- Doors and frame are shipped pre-assembled
- A Universal Access Panel can be purchased separately to conceal/protect the water and drain lines
- ☆ Regardless of construction option, model is constructed the same

☆ SST (7)
☆ SDT (7)
☆ PST (7)
☆ PDT (7)
☆ ADT (7)
12 (10a)
15 (10a)
18 (10a)
21 (10a)
CFO (10a)
CSO (10a)
VTK (10a)



Complete flooring under Universal Access Removable Sink Front (URSF) to prepare for the future when sink front and plywood bottom is removed

Base Oven Cabinet Universal



10a
BOCU30
BOCU33

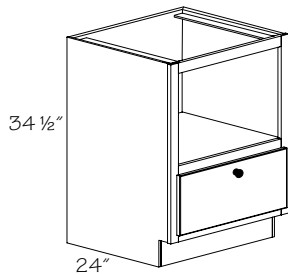
- Designed for under counter mounting of single built-in ovens
- Includes an adjustable oven platform supported with heavy-duty metal mounting brackets and screws which install into pre-drilled end panel holes at the four corners
- 1/2" end panels
- 3" wide trimmable vertical stiles provide oven opening width adjustment
- 10" high trimmable horizontal rail along the bottom provides opening height adjustment. May be trimmed to 1 1/2"
- Unavailable in Hickory door styles

- ◆ SST 7
- ◆ SDT 7
- PST 7
- PDT 7
- ADT 7
- 12 10a
- 15 10a
- 18 10a
- 21 10a
- CFO 10a
- CSO 10a
- VTK 10a

Opening Sizes				
Cabinet	Minimum Opening		*Maximum Opening	
	Width	Height	Width	Height
BOCU30	24"	18 1/2"	28"	28 1/2"
BOCU33	27"	18 1/2"	31"	28 1/2"

* Bottom rail trimmed to 1 1/2" high and top rail removed

Base Microwave Cabinet



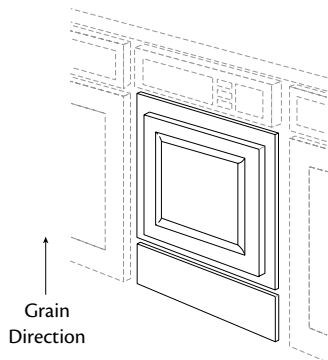
10a
BMC24
BMC27
BMC30

- Matching interior
- 1/2" thick fixed shelf
- Shelf top surface is 3/16" below face frame rail top edge
- Deep bottom drawer with full-extension slides
- Side mount ball bearing slides used when SST or PST construction is chosen
- Designed for countertop style microwaves

- ◆ SST 7
- ◆ SDT 7
- PST 7
- PDT 7
- ADT 7
- 12 10a
- 15 10a
- 18 10a
- 21 10a
- CFO 10a
- CSO 10a
- VTK 10a

Opening Sizes			
Cabinet	Width	Height	Depth
BMC24	21"	15 7/8"	23 15/32"
BMC27	24"	15 7/8"	23 15/32"
BMC30	27"	15 7/8"	23 15/32"

Decorative Dishwasher Panel



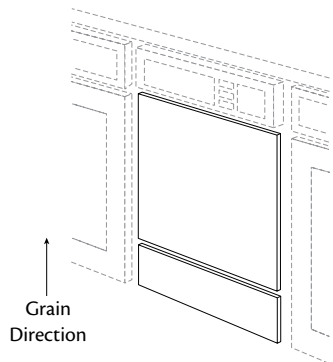
10a
DDWP

- 5/32" thick veneered plywood panel
- Provides finished look to dishwasher
- Panel trimmed to fit installation
- May weigh up to 10 lbs. depending on door style
- Hardware to mount door to panel included
- Check with dishwasher manufacturers instructions prior to installing panel
- 23 3/4" wide by 26" high panel
- 22 1/8" wide x 16" high door (traditional and full overlay)
- ☆ Regardless of construction option, model is constructed the same

- ☆ SST 7
- ☆ SDT 7
- ☆ PST 7
- ☆ PDT 7
- ☆ ADT 7
- 12 10a
- 15 10a
- 18 10a
- 21 10a
- CFO 10a
- CSO 10a
- VTK 10a

Dishwasher Panel

⑩
DWP
DWP-4

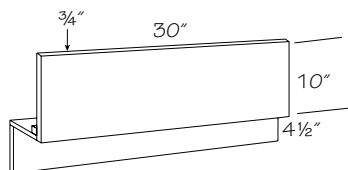


- 5/32" thick veneered plywood panel
 - 23 3/4" x 26" high panel
 - Provides finished look to dishwasher
 - Trimmed to fit installation
 - Finished one side only
 - Available in all finishes; highlights shipped standard finish
 - Textured Laminate will be stained or painted; Laminate and Thermofoil will be painted
- ☆ Regardless of construction option, model is constructed the same

- ☆ SST ⑦
- ☆ SDT ⑦
- ☆ PST ⑦
- ☆ PDT ⑦
- ☆ ADT ⑦
- 12 ⑩b
- 15 ⑩b
- 18 ⑩b
- 21 ⑩b
- CFO ⑩b
- CSO ⑩b
- VTK ⑩b

Drop-In Range Panel

⑩
DIP30

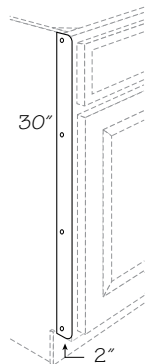


- 3/4" thick solid wood panel
- Matching front panel may be trimmed to fit drop-in range
- Install between two base cabinets
- Available in all finishes; highlights shipped standard finish
- Textured Laminate will be stained or painted; Laminate and Thermofoil will be painted
- Toe Kick Backer assembly included; shipped unattached
- Regardless of construction option, model is constructed the same

- ☆ SST ⑦
- ☆ SDT ⑦
- ☆ PST ⑦
- ☆ PDT ⑦
- ☆ ADT ⑦
- 12 ⑩b
- 15 ⑩b
- 18 ⑩b
- 21 ⑩b
- CFO ⑩b
- CSO ⑩b
- VTK ⑩b

Heat Shield

⑩
HSD



- 1/16" thick
- Two clear acrylic heat shields with installation screws
- Recommended to shield Laminate, Textured Laminate and Thermofoil door styles from adjacent oven heat

- SST ⑦
- SDT ⑦
- PST ⑦
- PDT ⑦
- ADT ⑦
- 12 ⑩b
- 15 ⑩b
- 18 ⑩b
- 21 ⑩b
- CFO ⑩b
- CSO ⑩b
- VTK ⑩b

Base End Run Cabinets

Construction Options and Modifications

- ❖ Included as standard
- Available with an upcharge
- ☆ Available with exceptions

(Blank) **Not** available

SST	Construction	-----	(7)
SDT	Construction	-----	(7)
PST	Construction	-----	(7)
PDT	Construction	-----	(7)
ADT	Construction	-----	(7)
CFO	Cabinet Front Only	-----	(10g)
CSO	Case Only	-----	(10g)
VTK	Void Toe Kick	-----	(10g)

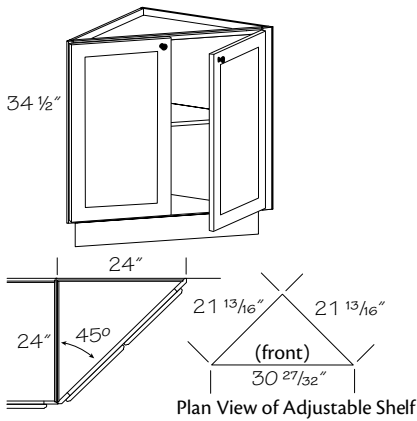
Material dimensions may vary slightly based on lumber industry standards.

Specifications subject to change without notice.

(10a)
BEA12FHR

Base Corner Angle Butt Full-Height

(10a)
BCA24BFH

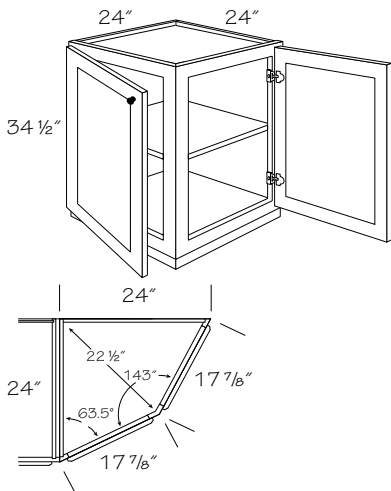


- One adjustable shelf
- Two full-height butt doors without a frame center stile
- For use at the right or left end of cabinet run or in a corner

- ❖ SST (7)
- ❖ SDT (7)
- PST (7)
- PDT (7)
- ADT (7)
- CFO (10g)
- CSO (10g)
- VTK (10g)

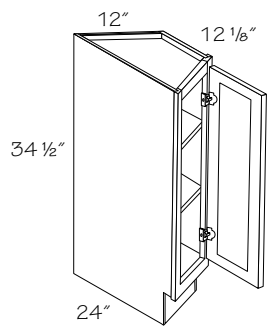
Base End Corner Full-Height

(10a)
BEC24FH

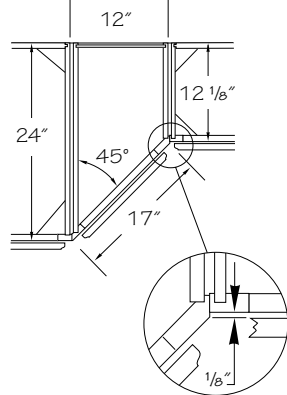


- One adjustable shelf
- For use at the right or left end of cabinet run or in a corner

- ❖ SST (7)
- ❖ SDT (7)
- PST (7)
- PDT (7)
- ADT (7)
- CFO (10g)
- CSO (10g)
- VTK (10g)



Right Hand hinging shown



Base End Angle Full-Height

10a 10c
BEA12FH R or L

- Specify R or L hand to designate 12" deep orientation
- Two adjustable shelves
- Full and traditional overlay door widths are similar to avoid interference with adjacent cabinet doors. This exposes more of the cabinet face frame
- Designed to transition from 24" deep base cabinet to 12" deep base cabinet
- Actual depth of 12" end is 12 1/8"
- 24" deep end **not** designed to be exposed

- ❖ SST 7
- ❖ SDT 7
- PST 7
- PDT 7
- ADT 7
- CFO 10a
- CSO 10a
- VTK 10a

Base Corner Cabinets

Construction Options and Modifications

- ❖ Included as standard
 - Available with an upcharge
 - ☆ Available with exceptions
- (Blank) **Not** available

Material dimensions may vary slightly based on lumber industry standards.

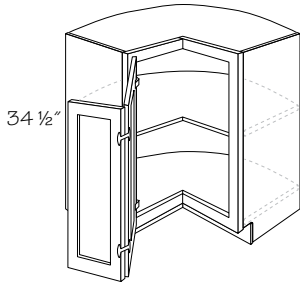
Specifications subject to change without notice.

10a 10c 10g
BBC36/39 BR HDS

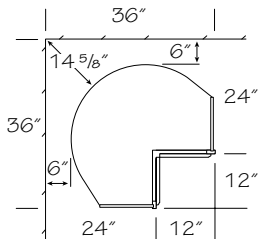
SST	Construction	-----	7
SDT	Construction	-----	7
PST	Construction	-----	7
PDT	Construction	-----	7
ADT	Construction	-----	7
12	Depth Modification	-----	10b
15	Depth Modification	-----	10b
18	Depth Modification	-----	10b
21	Depth Modification	-----	10b
HDS	Half Depth Shelf	-----	10d
FDS	Full Depth Shelf	-----	10d
ST	Standard Trays	-----	10d
WT	Wood Trays	-----	10d
FT	Standard Full-Width Trays	-----	10d
WF	Wood Full-Width Trays	-----	10d
DT	Deluxe Trays	-----	10d
DF	Deluxe Full-Width Trays	-----	10d
CFO	Cabinet Front Only	-----	10g
CSO	Case Only	-----	10g
VTK	Void Toe Kick	-----	10g

Base Corner Fixed Shelf

10a 10c
BCFS36 R or L



Left Hand Hinging shown



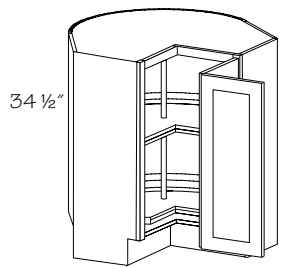
- Specify R or L for door hinging
- One pie-cut shelf, fixed in center position
- Two piece bi-fold door with independent adjustment
- 168° opening hinges on face frame door
- Full overlay door style face frame stiles are notched to accept door hinges. Door hinging is unable to be inverted in field
- Use Base End Panel Filler (BEPF3-34) if end is exposed (requires 3" of space)
- SoftAction hinges are unavailable
- **Note:** Back panel (barrel) will **not** be plywood when ADT is ordered

❖ SST	7	FDS	10d
❖ SDT	7	ST	10d
● PST	7	WT	10d
● PDT	7	FT	10d
● ADT	7	WF	10d
12	10b	DT	10d
15	10b	DF	10d
18	10b	● CFO	10g
21	10b	● CSO	10g
HDS	10d	VTK	10g

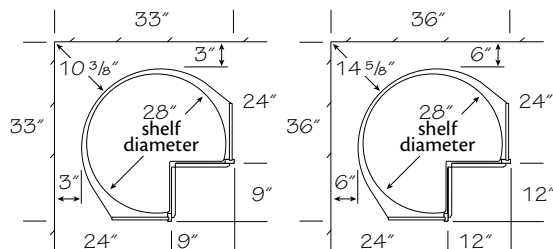


Caution: If cabinet is installed next to an appliance deeper than 25", it may interfere with the cabinet door opening. Options available: A) Use a filler between cabinet and appliance, B) Pull cabinet even with appliance front, which will result in a deeper countertop and overall base cabinet depth dimension

Base Corner Revolving



Right Hand Hinging shown



BCR33

BCR36

10a 10c
BCR33 R or L
BCR36 R or L

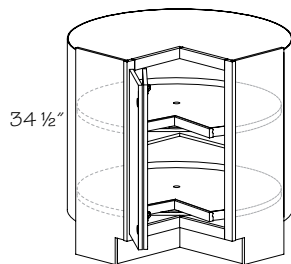
- Specify R or L for door hinging
- Two 28" diameter high impact, pie-cut revolving white plastic shelves
- Shelves rotate independently of doors and each other
- Shelf load rating of 15 lbs. per square foot, unable to exceed 50 lbs.
- Shelf height unable to be adjusted
- Two piece bi-fold door with independent adjustment
- Use Base End Panel Filler (BEPF3-34) if end is exposed (requires 3" of space)
- 168° opening hinges on face frame door
- Full overlay door style face frame stiles are notched to accept door hinges. Door hinging is unable to be inverted in field
- SoftAction hinges are unavailable
- **Note:** Back panel (barrel) will **not** be plywood when ADT is ordered

❖ SST (7)	● FDS (10c)
❖ SDT (7)	● ST (10c)
● PST (7)	● WT (10c)
● PDT (7)	● FT (10c)
● ADT (7)	● WF (10c)
12 (10b)	● DT (10c)
15 (10b)	● DF (10c)
18 (10b)	● CFO (10c)
21 (10b)	● CSO (10c)
HDS (10c)	● VTK (10c)

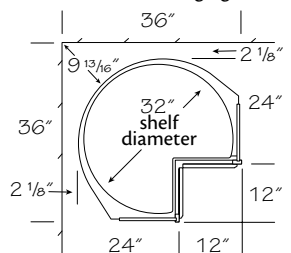


Caution: If cabinet is installed next to an appliance deeper than 25", it may interfere with the cabinet door opening. Options available: A) Use a filler between cabinet and appliance, B) Pull cabinet even with appliance front, which will result in a deeper countertop and overall base cabinet depth dimension

Base Corner Revolving Wood Lazy Susan



Left Hand Hinging shown



10a 10c
BCR36WLS R or L

- Specify R or L for door hinging
- Two 32" diameter pie-cut revolving wood shelves
- Shelves rotate independently of doors and each other
- Shelf load rating of 15 lbs. per square foot, unable to exceed 50 lbs.
- Shelf height unable to be adjusted
- Two piece bi-fold door with independent adjustment
- Use Base End Panel Filler (BEPF3-34) if end is exposed (requires 3" of space)
- 33" min. doorway clearance suggested for delivery
- 168° opening hinges on face frame door
- Full overlay door style face frame stiles are notched to accept door hinges. Door hinging is unable to be inverted in field
- SoftAction hinges are unavailable
- **Note:** Back panel (barrel) will **not** be plywood when ADT is ordered

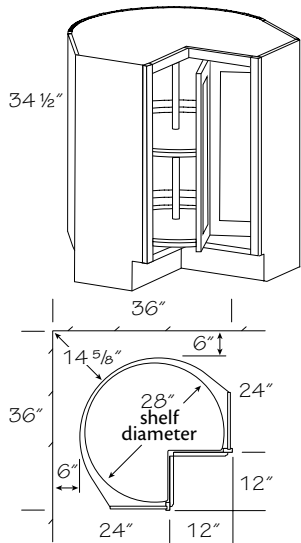
❖ SST (7)	● FDS (10c)
❖ SDT (7)	● ST (10c)
● PST (7)	● WT (10c)
● PDT (7)	● FT (10c)
● ADT (7)	● WF (10c)
12 (10b)	● DT (10c)
15 (10b)	● DF (10c)
18 (10b)	● CFO (10c)
21 (10b)	● CSO (10c)
HDS (10c)	● VTK (10c)



Caution: If cabinet is installed next to an appliance deeper than 25", it may interfere with the cabinet door opening. Options available: A) Use a filler between cabinet and appliance, B) Pull cabinet even with appliance front, which will result in a deeper countertop and overall base cabinet depth dimension

Base Lazy Susan

^{10a}
BLS36

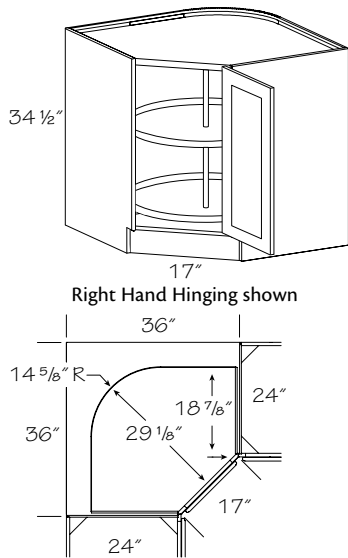


- Two 28" diameter high impact, pie-cut revolving white plastic shelves
- Shelf load rating of 15 lbs. per square foot, unable to exceed 50 lbs.
- Doors and shelves revolve as one unit
- Available in traditional overlay door styles only
- Use Base End Panel Filler (BEPF3-34) if end is exposed (requires 3" of space)
- **Note:** Back panel (barrel) will **not** be plywood when ADT is ordered

◆ SST (7)	FDS (10a)
◆ SDT (7)	ST (10a)
● PST (7)	WT (10a)
● PDT (7)	FT (10a)
● ADT (7)	WF (10a)
12 (10a)	DT (10a)
15 (10a)	DF (10a)
18 (10a)	CFO (10a)
21 (10a)	● CSO (10a)
HDS (10a)	VTK (10a)

Base Angle Revolving

^{10a} ^{10c}
BAR36 R or L



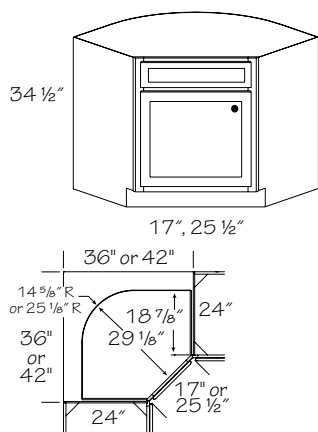
- Specify R or L for door hinging
- Two 28" diameter, full round, white high impact plastic revolving shelves
- Shelf load rating of 15 lbs. per square foot, unable to exceed 50 lbs.
- Adjacent cabinets can be installed directly without fillers
- Full overlay doors are similar in width to traditional overlay cabinets in order to avoid interference with adjacent cabinet doors. This exposes more of the face frame
- Use Base End Panel Filler (BEPF3-34) if end is exposed (requires 3" of space)
- Requires 36" of wall space in each direction
- 29 1/4" min. doorway clearance required for delivery with cabinet door removed
- **Note:** Back panel (barrel) will **not** be plywood when ADT is ordered

◆ SST (7)	FDS (10a)
◆ SDT (7)	ST (10a)
● PST (7)	WT (10a)
● PDT (7)	FT (10a)
● ADT (7)	WF (10a)
12 (10a)	DT (10a)
15 (10a)	DF (10a)
18 (10a)	● CFO (10a)
21 (10a)	● CSO (10a)
HDS (10a)	VTK (10a)



Caution: If cabinet is installed next to an appliance deeper than 25", it may interfere with the cabinet door opening. Options available: A) Use a filler between cabinet and appliance, B) Pull cabinet even with appliance front, which will result in a deeper countertop and overall base cabinet depth dimension

Sink Base Angle



10a 10c
SBA36 R or L
SBA42 R or L

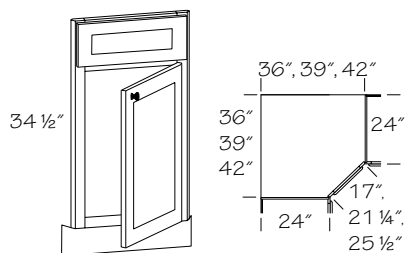
- Specify R or L for single door hinging
- One full-width false drawer front above door
- Full overlay door and false drawer front are similar in width to traditional overlay cabinets in order to avoid interference with adjacent cabinet doors. This exposes more of the cabinet face frame
- Field cut top panel to receive sink
- Use Base End Panel Filler (BEPF3-34) if end is exposed (requires 3" of space)
- 29 1/4" min. doorway clearance required for delivery with cabinet door removed
- Adjacent cabinets can be installed directly without fillers
- **Note:** Back panel (barrel) will **not** be plywood when ADT is ordered

❖ SST (7)	FDS (10c)
❖ SDT (7)	ST (10c)
● PST (7)	WT (10c)
● PDT (7)	FT (10c)
● ADT (7)	WF (10c)
12 (10b)	DT (10c)
15 (10b)	DF (10c)
18 (10b)	● CFO (10c)
21 (10b)	● CSO (10c)
HDS (10c)	VTK (10c)



Caution: If cabinet is installed next to an appliance deeper than 25", it may interfere with the cabinet door opening. Options available: A) Use a filler between cabinet and appliance, B) Pull cabinet even with appliance front, which will result in a deeper countertop and overall base cabinet depth dimension

Sink Front Angle

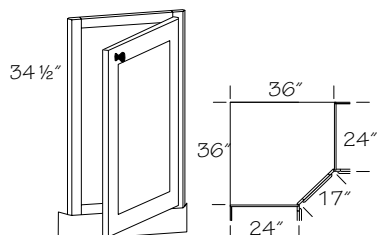


10a 10c
SFA36 R or L
SFA42 R or L

- Specify R or L for single door hinging
- One full-width false drawer front above door
- Full overlay door and false drawer front are similar in width to traditional overlay cabinets in order to avoid interference with adjacent cabinet doors. This exposes more of the cabinet face frame
- Toe Kick Backer assembly included; shipped unattached
- Bottom panel **not** included; order Sink Front Diagonal Bottom (SFDB4242) separately
- ☆ Regardless of construction option, model is shipped the same

☆ SST (7)	FDS (10c)
☆ SDT (7)	ST (10c)
☆ PST (7)	WT (10c)
☆ PDT (7)	FT (10c)
☆ ADT (7)	WF (10c)
12 (10b)	DT (10c)
15 (10b)	DF (10c)
18 (10b)	CFO (10c)
21 (10b)	CSO (10c)
HDS (10c)	VTK (10c)

Sink Front Angle Full-Height

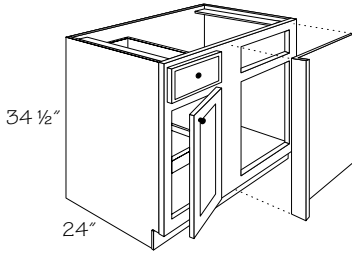


10a
SFA36FH

- Full overlay door is similar in width to traditional overlay cabinets in order to avoid interference with adjacent cabinet doors. This exposes more of the cabinet face frame
- Invertible for right or left hand use
- Toe Kick Backer assembly included; shipped unattached
- Bottom panel **not** included; order Sink Front Diagonal Bottom (SFDB4242) separately
- ☆ Regardless of construction option, model is shipped the same

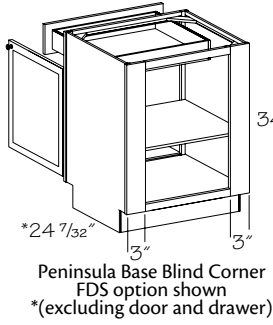
☆ SST (7)	FDS (10c)
☆ SDT (7)	ST (10c)
☆ PST (7)	WT (10c)
☆ PDT (7)	FT (10c)
☆ ADT (7)	WF (10c)
12 (10b)	DT (10c)
15 (10b)	DF (10c)
18 (10b)	CFO (10c)
21 (10b)	CSO (10c)
HDS (10c)	VTK (10c)

Base Blind Corner Cabinet Information

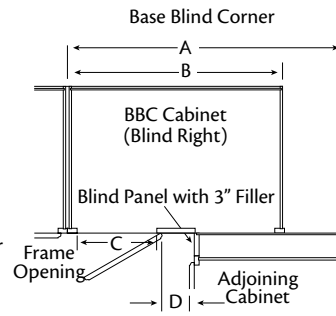
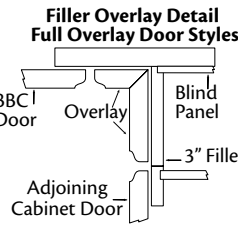
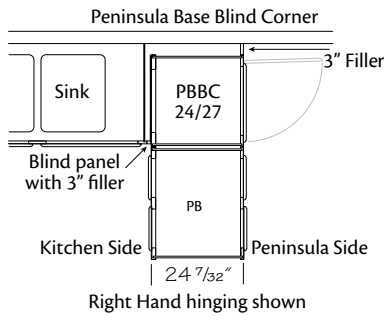


Base Blind Corner Cabinet
Blind Right (BR)
SST option shown

- BR or BL indicates blind end of cabinet. Please specify.
- Base blind corner cabinets provide access to corner space and permit adjusting up to 2 7/8" max. to aid in kitchen layout. Consult chart for pull dimensions and min. wall space requirements
- Pulling the cabinet away from the corner (adding up to 2 7/8" max. to the void area), and using the supplied filler and panel, provides clearance for opening doors and drawers when hardware is used
- Door hinged on same side as blind
- Pull Full overlay products the max. 2 7/8" for proper hardware clearance for drawer and Roll-Out Tray of adjoining cabinet
- Overlays available for all full overlay door styles except Fusion; order separately. Overlays are used to cover the exposed filler and frame. This provides a continuous door appearance. Field miter cut overlays to required width determined by cabinet pull
- **Note:** A blind panel with 3" filler is included with each BBC cabinet; shipped unattached

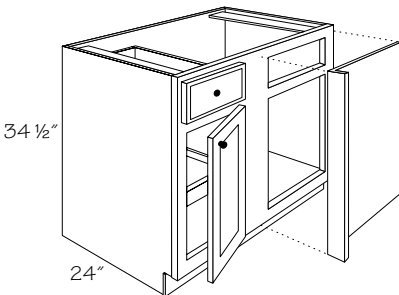


Peninsula Base Blind Corner
FDS option shown
*(excluding door and drawer)



Cabinet Dimensions					Traditional Overlay		Full Overlay		
Base Blind Corner	(A) Wall Space		(B) Cabinet Width	(C) Frame Opening		(D) Door Hardware Clearance		(D) Door Hardware Clearance	
	No Pull	Max Pull		Drawer Opening	Door Opening	No Pull	Max Pull	No Pull	Max Pull
BBC36/39	36"	38 7/8"	24"	5"h x 7 1/2"w	7 1/2"w x 20 1/2"h	1 1/2"	4 3/8"	13/16"	3 11/16"
BBC39/42	39"	41 7/8"	30"	5"h x 10 1/2"w	10 1/2"w x 20 1/2"h	1 1/2"	4 3/8"	13/16"	3 11/16"
BBC42/45	42"	44 7/8"	36"	5"h x 13 1/2"w	13 1/2"w x 20 1/2"h	1 1/2"	4 3/8"	13/16"	3 11/16"
BBC45/48	45"	47 7/8"	42"	5"h x 16 1/2"w	16 1/2"w x 20 1/2"h	1 1/2"	4 3/8"	13/16"	3 11/16"
BBC48/51	48"	50 7/8"	48"	5"h x 19 1/2"w	19 1/2"w x 20 1/2"h	1 1/2"	4 3/8"	13/16"	3 11/16"

Base Blind Corner



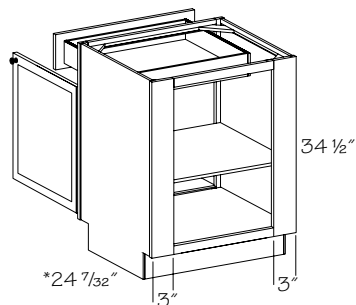
Blind Right (BR)
SST option shown

- 10a
- BBC36/39 BR or BL
- BBC39/42 BR or BL
- BBC42/45 BR or BL
- BBC45/48 BR or BL
- BBC48/51 BR or BL

- Specify BR or BL; BR or BL indicates blind
- Standard height top drawer
- Door hinged to center stile
- Blind Panel with 3" filler included, shipped unattached
- Cabinet is unable to be pulled more than 2 7/8". This is **not** the space from the wall to the cabinet. This varies depending on cabinet size
- Overlays available for all full overlay door styles except Fusion; order separately
- ☆ Tray options are available for cabinets with select depth modifications. See Construction Options for specifics
- Back panel is pre-drilled for optional accessory Tray Kits
- **Note:** For tray or shelf options for select cabinets, replace HDS with the option code of your choice
- **Note:** When depth is reduced to 12" or 15", drawers become false fronts
- 42" to 48" wide cabinets have a full-width support cross rail across top back of cabinet

- ◆ SST 7
- ◆ SDT 7
- PST 7
- PDT 7
- ADT 7
- 12 10a
- 15 10a
- 18 10a
- 21 10a
- ◆ HDS 10a
- FDS 10a
- ☆ ST 10a
- ☆ WT 10a
- ☆ FT 10a
- WF 10a
- DT 10a
- DF 10a
- CFO 10a
- CSO 10a
- VTK 10a

Peninsula Base Single Door Blind Corner



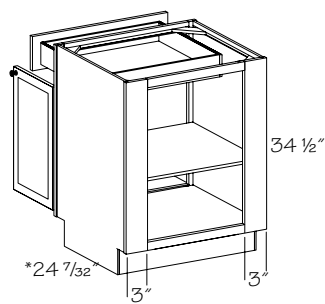
FDS option shown
*(excluding doors and drawer)

10a) 10c) 10d)
PBBC24/27 R or L FDS

- Specify R or L
- Cabinet is 24" wide
- Cabinet can be pulled a max. of 3" from wall
- One door on peninsula side
- One standard height top drawer opens on peninsula side
- Use to start a peninsula run
- One 3" filler (BF3) included, shipped unattached
- Blind Panel with 3" filler included, shipped unattached
- Overlays available for all full overlay door styles except Fusion; order separately
- Back face frame pre-drilled for optional Roll-Out Trays
- **Note:** Select (FDS) or a tray option for this cabinet

<input checked="" type="checkbox"/> SST (7)	<input checked="" type="checkbox"/> FDS (10d)
<input checked="" type="checkbox"/> SDT (7)	<input checked="" type="checkbox"/> ST (10c)
<input checked="" type="checkbox"/> PST (7)	<input checked="" type="checkbox"/> WT (10c)
<input checked="" type="checkbox"/> PDT (7)	<input checked="" type="checkbox"/> FT (10c)
<input checked="" type="checkbox"/> ADT (7)	<input checked="" type="checkbox"/> WF (10c)
12 (10b)	<input checked="" type="checkbox"/> DT (10c)
15 (10b)	<input checked="" type="checkbox"/> DF (10c)
18 (10b)	<input checked="" type="checkbox"/> CFO (10c)
21 (10b)	<input checked="" type="checkbox"/> CSO (10c)
HDS (10c)	<input checked="" type="checkbox"/> VTK (10c)

Peninsula Base Butt Door Blind Corner



FDS option shown
*(excluding doors and drawer)

10a) 10c)
PBBC24/27B FDS

- Cabinet is 24" wide
- Cabinet can be pulled a max. of 3" from wall
- Cabinet has butt doors without frame center stile on peninsula side
- One standard height top drawer opens on peninsula side
- Use to start a peninsula run
- One 3" filler (BF3) included, shipped unattached
- Blind Panel with 3" filler included, shipped unattached
- Back face frame pre-drilled for optional Roll-Out Trays
- Overlays available for all full overlay door styles except Fusion; order separately
- **Note:** Select (FDS) or a tray option for this cabinet

<input checked="" type="checkbox"/> SST (7)	<input checked="" type="checkbox"/> FDS (10c)
<input checked="" type="checkbox"/> SDT (7)	<input checked="" type="checkbox"/> ST (10c)
<input checked="" type="checkbox"/> PST (7)	<input checked="" type="checkbox"/> WT (10c)
<input checked="" type="checkbox"/> PDT (7)	<input checked="" type="checkbox"/> FT (10c)
<input checked="" type="checkbox"/> ADT (7)	<input checked="" type="checkbox"/> WF (10c)
12 (10b)	<input checked="" type="checkbox"/> DT (10c)
15 (10b)	<input checked="" type="checkbox"/> DF (10c)
18 (10b)	<input checked="" type="checkbox"/> CFO (10c)
21 (10b)	<input checked="" type="checkbox"/> CSO (10c)
HDS (10c)	<input checked="" type="checkbox"/> VTK (10c)

Base Panels

Construction Options and Modifications

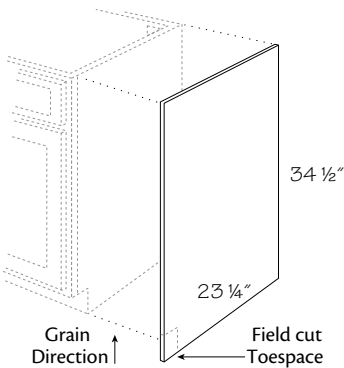
- ❖ Included as standard
 - Available with an upcharge
 - ☆ Available with exceptions
- (Blank) **Not** available

CH	Cherry	②
HK	Hickory	②
MP	Maple	②
RO	Red Oak	②
LM	Laminate	②
TL	Textured Laminate	②
TH	Thermofoil	②

Material dimensions may vary slightly based on lumber industry standards.

Specifications subject to change without notice.

Note: Textured Laminate will be stained or painted; Laminate and Thermofoil will be painted unless noted



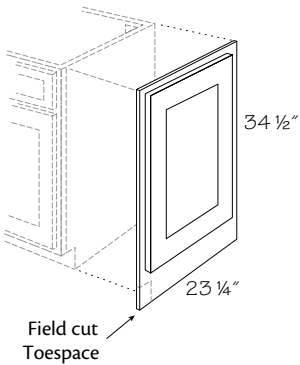
Base End Panel

⑩a

- Paper Laminate*
 - ◆ **BEPP**
 - ◆ **BEPP-6**
 - Veneer*
 - **BEP**
 - **BEP-6**
 - Textured Laminate*
 - ▲ **BEP-TL**
 - ▲ **BEP-TL-6**
- ◆ 3/16" thick Medium Density Fiberboard (MDF) panel with easy clean laminate front side; available in specie (TL) and will match frame finish
 - 5/32" thick veneered plywood panel, except for (TH), which is 3/16" thick laminate
 - ▲ 3/16" thick Textured Laminate (TL) panel, finished on one side; available in (TL) only; will match door and drawer front laminate

- Used to trim exposed end of base cabinet
- For right or left hand use
- Toe space notch is field cut
- Grain direction runs lengthwise (when applicable)
- Available in all finishes; highlights shipped standard finish

❖ CH	②
❖ HK	②
❖ MP	②
❖ RO	②
❖ LM	②
❖ TL	②
❖ TH	②



Matching Base End Panel

⑩a

MBEP2434

- Provides a finished furniture look to 34 1/2" base cabinets
- Includes end panel with decorative door
- For right or left hand use
- Toe space notch is field cut
- 5/32" thick veneered plywood panel, except for (LM, TH) which have a 3/16" thick laminate panel
- Traditional overlay doors are 22 1/4" x 28" tall shipped attached to panel
- Full overlay doors are 23 5/8" x 29 1/4" tall shipped unattached to panel. When installed, door overlaps cabinet frame edge to provide matching reveals

❖ CH	②
❖ HK	②
❖ MP	②
❖ RO	②
❖ LM	②
❖ TL	②
❖ TH	②

Base Decorative Accents

Construction Options and Modifications

- ❖ Included as standard
- Available with an upcharge
- ☆ Available with exceptions

(Blank) **Not** available

Material dimensions may vary slightly based on lumber industry standards.

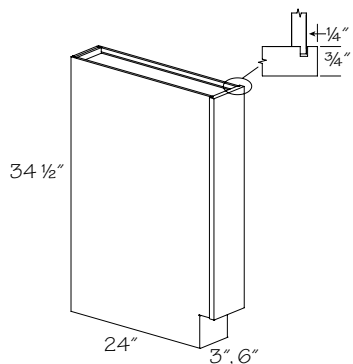
Specifications subject to change without notice.

Note: Textured Laminate will be stained or painted; Laminate and Thermofoil will be painted unless noted

CH	Cherry	②
HK	Hickory	②
MP	Maple	②
RO	Red Oak	②
LM	Laminate	②
TL	Textured Laminate	②
TH	Thermofoil	②

10a
BC3-1534

Base Box

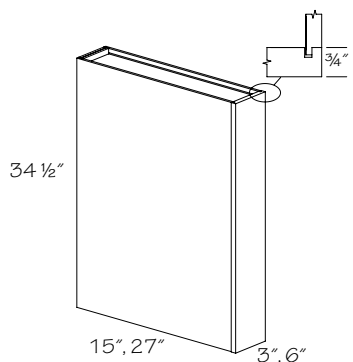


10a
BB3-2434
BB6-2434

- Front is 3/4" solid wood
- Finished front and both sides
- End panels are recessed 1/4"
- Vertical wood grain (when applicable)
- May be used on either right or left end
- Available in all finishes; highlights shipped standard finish
- Unavailable with (ADT)

- ❖ CH ②
- ❖ HK ②
- ❖ MP ②
- ❖ RO ②
- ❖ LM ②
- ❖ TL ②
- ❖ TH ②

Base Column

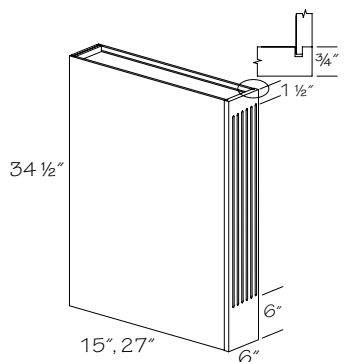


10a
15" Deep
BC3-1534
BC6-1534
27" Deep
BC3-2734
BC6-2734

- Front is 3/4" solid wood
- No toe kick
- Finished front and both sides
- Flush end panels
- Vertical wood grain (when applicable)
- May be used on either right or left end
- Available in all finishes; highlights shipped standard finish
- All finishes orderable on Standard Construction (SST, SDT); stain will ship as Plywood Ends (PST, PDT)
- (TL) construction (SST, SDT) will ship as (PST, PDT)
- Unavailable with (ADT)

- ❖ CH ②
- ❖ HK ②
- ❖ MP ②
- ❖ RO ②
- ❖ LM ②
- ❖ TL ②
- ❖ TH ②

Base Column Fluted



10a
15" Deep
BCF6-1534
27" Deep
BCF6-2734

- Front is 3/4" solid wood
- Six flutes
- No toe kick
- Finished front and both sides
- Flush end panels
- Vertical wood grain (when applicable)
- May be used on either right or left end
- Available in all finishes; painted highlights shipped standard finish
- All finishes orderable on Standard Construction (SST, SDT); stain will ship as Plywood Ends (PST, PDT)
- (TL) construction (SST, SDT) will ship as (PST, PDT)
- Unavailable with (ADT)

- ❖ CH ②
- ❖ HK ②
- ❖ MP ②
- ❖ RO ②
- ❖ LM ②
- ❖ TL ②
- ❖ TH ②

Countertop & Shelf Supports

Construction Options and Modifications

- ❖ Included as standard
- Available with an upcharge
- ☆ Available with exceptions

(Blank) **Not** available

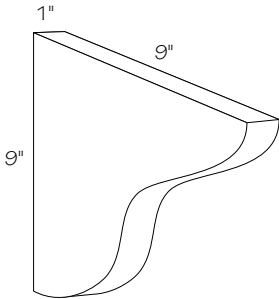
Material dimensions may vary slightly based on lumber industry standards.

Specifications subject to change without notice.

Note: Textured Laminate will be stained or painted; Laminate and Thermofoil will be painted



CH	Cherry	②
HK	Hickory	②
MP	Maple	②
RO	Red Oak	②
LM	Laminate	②
TL	Textured Laminate	②
TH	Thermofoil	②



Countertop Support Bracket



- Solid wood
- Vertical wood grain (when applicable)
- For use as additional shelf or countertop support
- Includes two recessed metal keyhole brackets installed on backside
- Mounting hardware included
- Available in all finishes; highlights shipped standard finish
- Sold in pairs

❖ CH	②
❖ HK	②
❖ MP	②
❖ RO	②
❖ LM	②
❖ TL	②
❖ TH	②

Base Fillers

Construction Options and Modifications

- ❖ Included as standard
- Available with an upcharge
- ☆ Available with exceptions

(Blank) **Not** available

Material dimensions may vary slightly based on lumber industry standards.

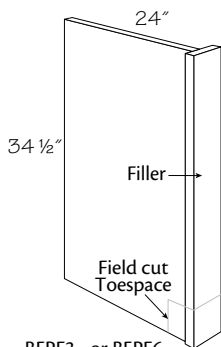
Specifications subject to change without notice.

Note: Textured Laminate will be stained or painted; Laminate and Thermofoil will be painted unless noted

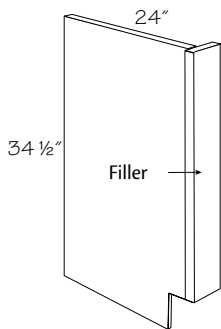
CH	Cherry	②
HK	Hickory	②
MP	Maple	②
RO	Red Oak	②
LM	Laminate	②
TL	Textured Laminate	②
TH	Thermofoil	②

10a

BFP3



BEPF3_ or BEPF6_



BEPF3-34L Shown

Base End Panel Filler

10a

10c

Solid Wood Field Notch

- BEPF3-34
- BEPF3-34-2
- BEPF6-34

Solid Wood Factory Notched

- Specify R or L
- BEPF3-34

R or L

Textured Laminate Field Notched

- ▲ BEPF3-34-TL
- ▲ BEPF3-34-TL-2
- ▲ BEPF6-34-TL

Textured Laminate

Factory Notched

- Specify R or L
- ▲ BEPF3-34

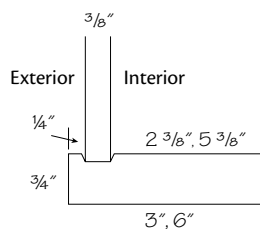
R-TL or L-TL

- Available in specie TL; will match frame finish; SDT and PDT orderable; shipped as SST

- ▲ Available in specie TL only; attached filler will match frame finish and panel will match door and drawer front laminate; regardless of construction option, model is constructed the same

- Used on the end of cabinet run to conceal dishwasher or cap end of BCFS/BCR/BAR/BLS/SFA cabinets
- For right or left hand use, except BEPF3-34R and BEPF3-34L
- Field cut toe space notch, except for BEPF3-34R, BEPF3-34L, BEPF3-34R-TL, and BEPF3-34L-TL
- Available in all finishes; highlights shipped standard finish

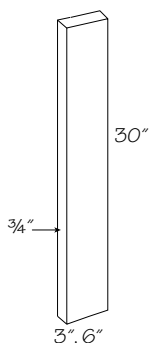
- ❖ CH ②
- ❖ HK ②
- ❖ MP ②
- ❖ RO ②
- ❖ LM ②
- ❖ TL ②
- ❖ TH ②



Base Filler

10a

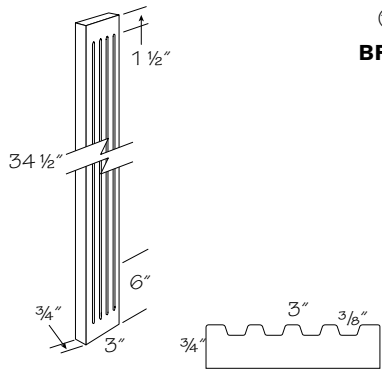
BF3 BF6



- 3/4" thick solid wood
- Backside of filler unfinished
- Available in all finishes; highlights shipped standard finish
- Overlays available for all full overlay door styles except Fusion; order separately

- ❖ CH ②
- ❖ HK ②
- ❖ MP ②
- ❖ RO ②
- ❖ LM ②
- ❖ TL ②
- ❖ TH ②

Base Fluted Filler

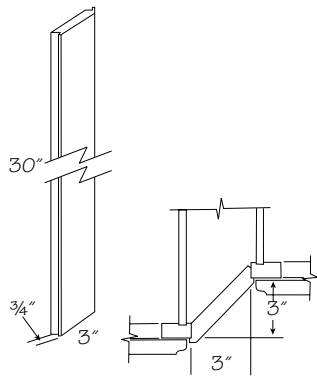


10a
BFF3

- Use between cabinets or to create a column effect. Can be combined with other moldings and panels for decorative effects
- Solid wood
- Four flutes
- Backside of filler unfinished
- Available in all finishes; painted highlights shipped standard finish

- ❖ CH ②
- ❖ HK ②
- ❖ MP ②
- ❖ RO ②
- ❖ LM ②
- ❖ TL ②
- ❖ TH ②

Filler Angle

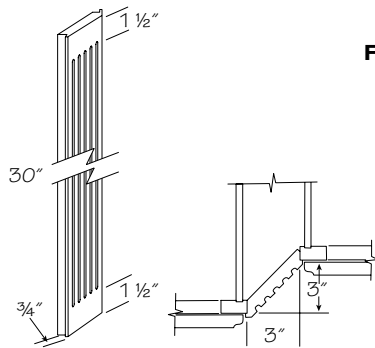


10a
FA3-30

- Fills 3" space between cabinets that are offset 3"
- 3/4" thick solid wood
- For right or left hand use
- Backside of filler unfinished
- Available in all finishes; highlights shipped standard finish

- ❖ CH ②
- ❖ HK ②
- ❖ MP ②
- ❖ RO ②
- ❖ LM ②
- ❖ TL ②
- ❖ TH ②

Fluted Filler Angle

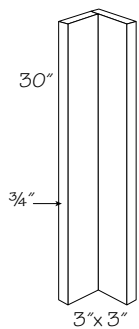


10a
FFA3-30

- Fills 3" space between cabinets that are offset 3"
- Five flutes
- 3/4" thick solid wood
- For right or left hand use
- Backside of filler unfinished
- Available in all finishes; painted highlights shipped standard finish

- ❖ CH ②
- ❖ HK ②
- ❖ MP ②
- ❖ RO ②
- ❖ LM ②
- ❖ TL ②
- ❖ TH ②

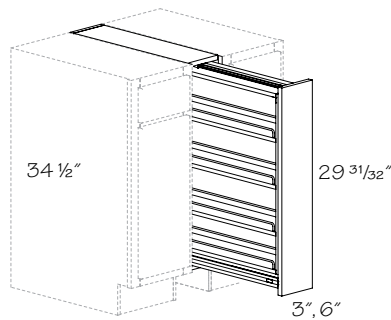
Base Filler Corner



10a
BFC3

- Used to provide clearance between cabinets when corner space is unused
- 3/4" thick solid wood
- 3" faces
- Backside of filler unfinished
- Available in all finishes; highlights shipped standard finish
- Shipped assembled

- ❖ CH ②
- ❖ HK ②
- ❖ MP ②
- ❖ RO ②
- ❖ LM ②
- ❖ TL ②
- ❖ TH ②



Base Filler Pull-Out

⑩a

- BFP3
- ▲ BFP6

- BFP3: 3" wide pull-out, 2 3/4" shelf width, 1 3/4" usable space between chrome rails, 3 1/16" required between adjacent cabinets
- ▲ BFP6: 6" wide pull-out, 5 3/4" shelf width, 4 3/4" usable space between chrome rails, 6 1/16" required between adjacent cabinets

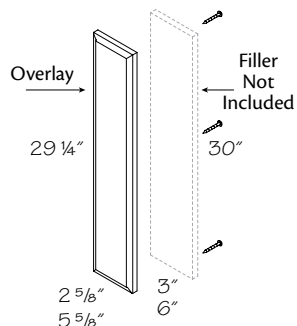
- Three adjustable natural finished hardwood shelves
- 3/4" thick solid wood pre-drilled filler included, shipped unattached
- Wood filler aligns with face frames of adjacent cabinets
- Natural finish hardwood interior
- Unit slides on full-extension runners; one on the top and two at the bottom
- Install between two base cabinets
- Overlays available for all full overlay door styles except Fusion; order separately
- Available in all finishes; highlights shipped standard finish

- ❖ CH ②
- ❖ HK ②
- ❖ MP ②
- ❖ RO ②
- ❖ LM ②
- ❖ TL ②
- ❖ TH ②

Filler Overlay

⑩a

- OL3-30
- OL6-30



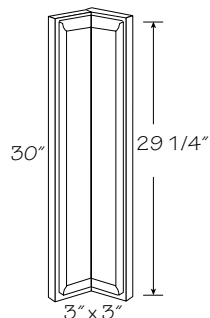
- Attaches to 3" or 6" wide filler; sold separately
- 3/4" thick with matching profile on all four edges, sized to match door height of adjacent cabinet
- Spacers installed on backside to align with doors of adjacent cabinet
- Mounting hardware included
- Available for all full overlay door styles, except Fusion
- Specify door style, specie and finish

- ❖ CH ②
- ❖ HK ②
- ❖ MP ②
- ❖ RO ②
- ❖ LM ②
- ❖ TL ②
- ❖ TH ②

Base Filler Corner Overlay

⑩a

- BFOLC3



- Used to provide clearance between cabinets when corner space is unused
- Designed to align with top of adjacent cabinet drawer fronts and bottom of door
- Overlays are attached and have matching profile top, bottom, and outside vertical edges
- Available for all full overlay door styles, except Fusion
- Shipped assembled

- ❖ CH ②
- ❖ HK ②
- ❖ MP ②
- ❖ RO ②
- ❖ LM ②
- ❖ TL ②
- ❖ TH ②

Base Shelving

Construction Options and Modifications

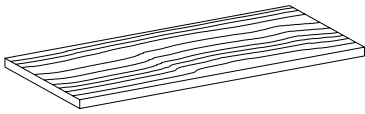
- ❖ Included as standard
 - Available with an upcharge
 - ☆ Available with exceptions
- (Blank) **Not** available

Material dimensions may vary slightly based on lumber industry standards.

Specifications subject to change without notice.

(10a)

RBS1212



Base Replacement Shelves

(10a)

Base - 12" Deep and 24"
Deep HDS cabinet

Actual depth 10 19/32"

Finished one side and
one edge

RBS1212
RBS1512
RBS1812
RBS2112
RBS2412
RBS2712
RBS3012
RBS3312
RBS3612

Base - 12" Deep cabinet

RBS3912
RBS4212
RBS4512
RBS4812
RBS5412

Base - 24" Deep HDS
cabinet

Actual depth 10 19/32"

Finished one side and
one edge.

★ **RBS3912HDS**
★ **RBS4212HDS**
★ **RBS4512HDS**
★ **RBS4812HDS**
★ **RBS5412HDS**

Base - 24" Deep FDS
cabinet

Actual depth 22 19/32"

Finished both sides and
one edge

RBS1224
RBS1524
RBS1824
RBS2124
RBS2424
RBS2724
RBS3024
RBS3324
RBS3624
RBS3924
RBS4224
RBS4524
RBS4824
RBS5424

- ★ Will have matching full-length support apron secured to the underside

(10a)

Base End Angle

Finished both sides and
one edge

RBS1224BEA

Base Corner Angle

Finished both sides and
one edge

RBS2424BCA

Base Combination Four
Drawer

Finished both sides and
one edge

Actual depth 22 19/32"

Shelf is half cabinet width

RBS2424BCD
RBS3024BCD
RBS3624BCD

Base Corner Fixed Shelf

Finished one side and
front edges

RBS3636BCFS

Base End Corner

Finished both sides and
front edge

RBS2424BEC

Peninsula Base

Actual depth 22 17/32"

Finished both sides and
both edges

RBS1824PB
RBS2124PB
RBS2424PB
RBS2724PB
RBS3024PB
RBS3624PB

- Replacement shelves for all standard size cabinets
- 3/4" thick except where noted
- Moisture-and-stain resistant, easy to clean Natural Wood laminate and matching edgebanding on exposed surfaces
- Specify cabinet construction: ADT = plywood; PDT, PST, SDT and SST = engineered wood
- Includes one shelf
- **Note:** For reduced depth cabinets, field cut shelves to size. For increased depth cabinets, order the appropriate deeper shelf and field cut if necessary

Base Accessories

Construction Options and Modifications

- ❖ Included as standard
- Available with an upcharge
- ☆ Available with exceptions

(Blank) **Not** available

CH	Cherry	②
HK	Hickory	②
MP	Maple	②
RO	Red Oak	②
LM	Laminate	②
TL	Textured Laminate	②
TH	Thermofoil	②

Note: Textured Laminate will be stained or painted; Laminate and Thermofoil will be painted unless noted

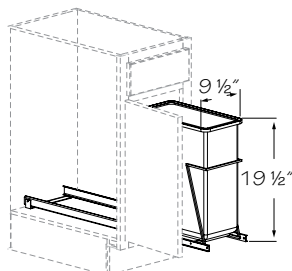
⑩a

FA3-30

Base Wastebasket Floor Mount Kit Single

⑩a

BWBFMK



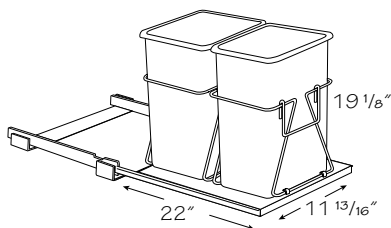
- White epoxy coated wire
- Fits base cabinets 15" or wider
- Includes 30 qt. white plastic bin
- 3/4 extension ball bearing floor mount guide assembly
- Installation instructions and mounting hardware included

CH	②
HK	②
MP	②
RO	②
LM	②
TL	②
TH	②

Base Wastebasket Floor Mount Kit Double

⑩a

BWBFMK-2



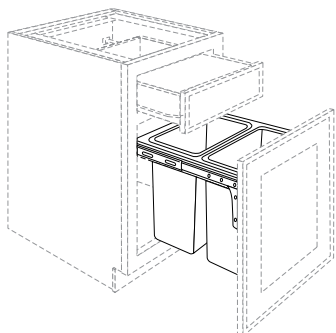
- White epoxy coated wire
- 3/4 extension ball bearing floor mount guide assembly
- 11 13/16" wide pull out, fits min. 15" single door cabinet or 30" double door cabinet unless cabinet is butt door
- Includes two 27-qt. white plastic bins
- Load rated at 40 lbs.
- Unavailable for use in 9" or 12" wide base cabinet
- Installation instructions and mounting hardware included

CH	②
HK	②
MP	②
RO	②
LM	②
TL	②
TH	②

Base Wastebasket Top Mount Kit

⑩a

■ BWBTK15 ▲ BWBTK18-2



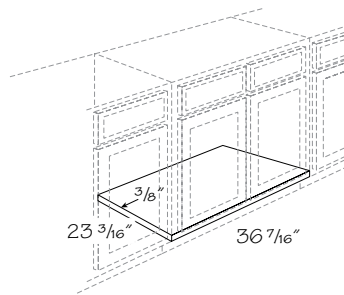
BWBTK18-2 shown

- BWBTK15 includes one 35 qt. white plastic basket and one 5 1/2" deep white plastic tray for garbage bag storage
- ▲ BWBTK18-2 includes two 35 qt. white plastic baskets (no bag storage tray)

- Fits B15 or B18 cabinets
- Wastebasket assembly rolls out on full-extension ball-bearing slides
- Hardwood veneer tray supports easily removable basket(s)
- 35 qt. basket is 10 1/2" x 14 5/8" x 18" high
- Installation instructions and mounting hardware included

CH	②
HK	②
MP	②
RO	②
LM	②
TL	②
TH	②

Sink Front Bottom

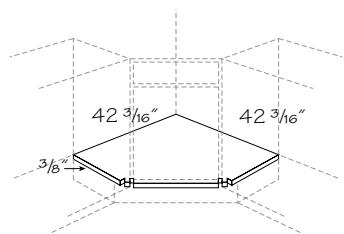


10a
SFB2336

- Designed to be used as an optional cabinet bottom with standard sink fronts 24" wide to 36" wide
- Fits SF36 and SF36FH without field trimming; field trim to length required for remaining sizes
- 36 7/16" long x 23 3/16" wide
- Easy to clean natural wood grain laminate on one side; backside unfinished
- 3/8" thick engineered wood core (SST, SDT, PST, PDT)
- 3/8" thick plywood core (ADT)
- Installation screws included

CH ②
HK ②
MP ②
RO ②
LM ②
TL ②
TH ②

Sink Front Diagonal Bottom

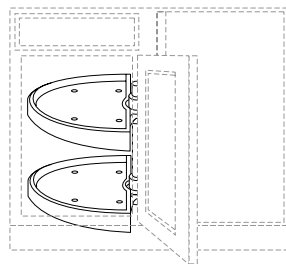


10a
SFDB4242

- Designed to be used as an optional cabinet bottom with Sink Front Angle
- Fits SFA42 without field trimming; field trim required for remaining sizes
- 42 3/16" x 42 3/16"
- Easy to clean natural wood grain laminate on one side; backside unfinished
- 3/8" thick engineered wood core (SST, SDT, PST, PDT)
- 3/8" thick plywood core (ADT)
- Installation screws included
- One per carton

CH ②
HK ②
MP ②
RO ②
LM ②
TL ②
TH ②

Base Swing-Out Shelves

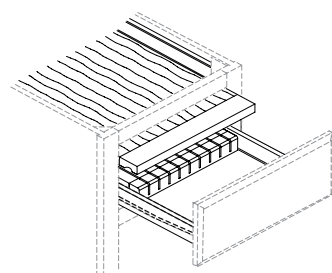


- 10a
- **BSOS42**
 - **BSOS42-3**
 - ▲ **BSOS45**
 - ▲ **BSOS45-3**
- Requires 13 1/4" min. cabinet opening (BBC42/45); shelves support up to 38 lbs. and is 31 9/16" x 12 1/2"
 - ▲ Requires 16 1/16" min. cabinet opening (BBC45/48 and BBC48/51); shelves support up to 45 lbs. and is 33" x 15 1/2"

- For use in Base Blind Corner Cabinets
- May be installed for right or left blind application
- Two high-impact white plastic half-moon swing-out shelves
- Bottom shelf pulls out for easy access
- Fixed height shelves attach to center post (included) and rotate independently to 90°
- Installation instructions and mounting hardware included

CH ②
HK ②
MP ②
RO ②
LM ②
TL ②
TH ②

Knife Section Cutting Center Kit

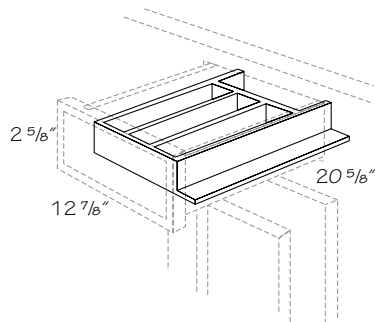


- 10a
- KSCCK15** 9 knife slots
 - KSCCK18** 12 knife slots
 - KSCCK21** 15 knife slots
 - KSCCK24** 18 knife slots

- Remove cutting board for use
- Replaces standard height top drawer
- Requires use of existing cabinet's drawer front
- Includes a 1 3/4" high natural wood grain laminated engineered wood drawer
- Includes a 3/4" thick removable solid hardwood cutting board that stores above the drawer core
- Cutting board has bread board front and back edges with a full-width finger recess on opposite sides so the board can be reversed
- Cutting board is stored in cabinet using two almond colored epoxy coated metal channels and can be removed without removing drawer
- Drawer can be pulled out independently from cutting board for convenient drawer access
- Includes a removable drawer insert with a full-width solid hardwood knife holder and cork pad handle rest
- Includes both outer and inner drawer slide members for converting Dovetail full-extension drawers to 3/4 extension
- Unavailable with Dovetail hardwood full-extension drawer
- Installation instructions and mounting hardware included

CH ②
HK ②
MP ②
RO ②
LM ②
TL ②
TH ②

Cutlery Divider

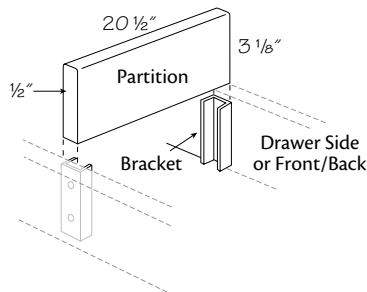


⑩a
CDI18
CDI18-12

- 1/2" thick engineered wood dividers with Natural wood grain laminate and matching top edges
- 3/8" thick engineered wood bottom panel with Natural wood grain laminate on exposed surface
- Five compartment cutlery organizer for 18" wide cabinets; can be cut down for 15" wide cabinets
- When using Dovetail hardwood full-extension drawer, field cut 1 5/16" off back edge

- CH ②
- HK ②
- MP ②
- RO ②
- LM ②
- TL ②
- TH ②

Drawer Partition Kit

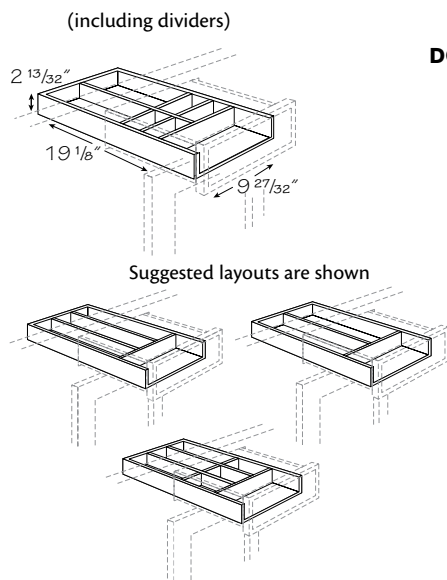


⑩b
DPK

- Natural finish hardwood
- For use in all drawers; standard, dovetail and Base Deep Tray Kits
- Kit contains two self-adhesive end brackets and one natural finished hardwood divider
- Brackets are clear plastic with two holes for optional screw attachment to drawer side (screws **not** included)
- Field trim divider to fit
- Installation instructions and mounting hardware included

- CH ②
- HK ②
- MP ②
- RO ②
- LM ②
- TL ②
- TH ②

Drawer Organizer Kit Narrow

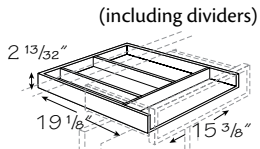


⑩c
DOKN

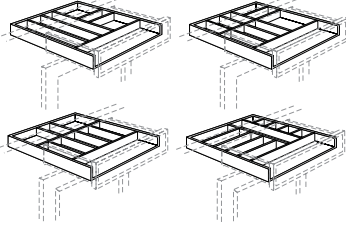
- Natural finish hardwood
- Adjustable drawer organizing system
- Fits B15 and wider standard and dovetail drawers
- Can be used in tandem with another DOKN or DOKW in wider drawers
- DOKN includes:
 - two dividers: 14 17/32" long x 2 1/4" high x 3/8" thick;
 - three dividers: 2 11/16" long x 2 1/4" high x 3/8" thick;
 - four dividers: 4 1/4" long x 2 1/4" high x 3/8" thick
- Installation instructions and mounting hardware included

- CH ②
- HK ②
- MP ②
- RO ②
- LM ②
- TL ②
- TH ②

Drawer Organizer Kit Wide



Suggested layouts are shown

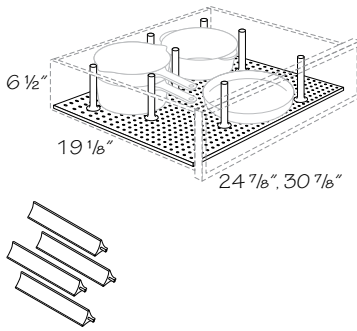


^(10a)
DOKW

- Natural finish hardwood
- Adjustable drawer organizing system
- Fits B21 and wider standard and dovetail drawers
- Can be used in tandem with another DOKN or DOKW in wider drawers
- DOKW includes:
 - three dividers: 14 17/32" long x 2 1/4" high x 3/8" thick;
 - four dividers: 2 17/32" long x 2 1/4" high x 3/8" thick;
 - two dividers: 5 17/32" long x 2 1/4" high x 3/8" thick;
 - four dividers: 8 17/32" long x 2 1/4" high x 3/8" thick
- Installation instructions and mounting hardware included

- CH (2)
- HK (2)
- MP (2)
- RO (2)
- LM (2)
- TL (2)
- TH (2)

Pegged Deep Drawer Organizer

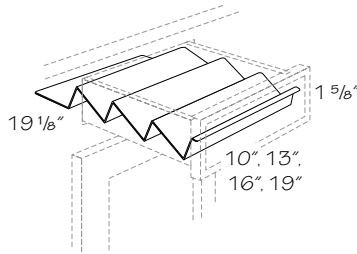


^(10a)
Organizer Kit
PDD030
PDD036
Additional Hardware
Pegs
PDOPK4/CT

- Natural finish hardwood
- For securing pots, pans, plates and other bulky items in deep drawers of cabinets
- Fits standard and dovetail drawers
- PDD030 fits in BD30-3D and BPPS30-2D cabinet deep drawers
- PDD036 fits in BD36-3D and BPPS36-2D cabinet deep drawers
- Kit includes eight 6" long triangular shaped natural finished solid hardwood pegs with a metal locating pin extended out of one end

- CH (2)
- HK (2)
- MP (2)
- RO (2)
- LM (2)
- TL (2)
- TH (2)

Spice Drawer Insert Kit



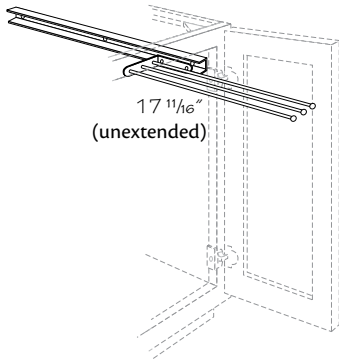
^(10a)

Model	Height	Width
SDIK15	1 5/8"	10"
SDIK18	1 5/8"	13"
SDIK21	1 5/8"	16"
SDIK24	1 5/8"	19"

- Textured white polymer plastic
- Trimmed to fit installation

- CH (2)
- HK (2)
- MP (2)
- RO (2)
- LM (2)
- TL (2)
- TH (2)

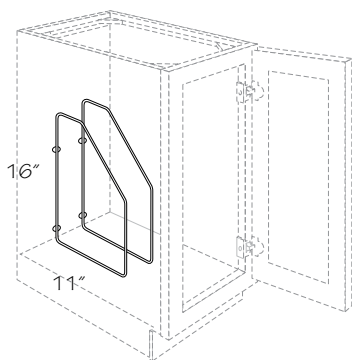
Sliding Towel Bar - Chrome



^(10a)
STB

- Three-prong chrome-plated 17" long wire towel bars
- Slides on ball bearing slides
- Designed for sink base or 21" deep vanity cabinets
- Mounts to interior of cabinet side panel
- Installation instructions and mounting hardware included

- CH (2)
- HK (2)
- MP (2)
- RO (2)
- LM (2)
- TL (2)
- TH (2)

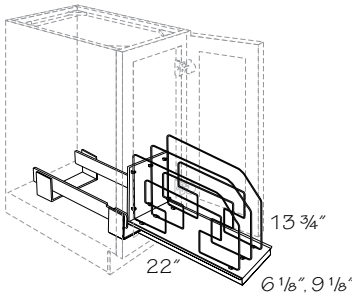


Wire Tray Divider Kit

⑩a
WTDK16
WTDK16-5PR

- White epoxy coated wire
- Installation instructions and mounting hardware included
- Offered as a pair or five pairs per carton

- CH ②
- HK ②
- MP ②
- RO ②
- LM ②
- TL ②
- TH ②



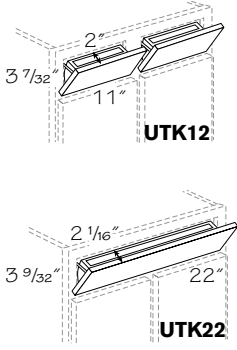
Wire Tray Divider Roll-Out

⑩a
WTDRO9 2 partitions
WTDRO12 3 partitions

- White epoxy coated wire
- 3/4 extension sides
- For 9" or 12" wide base cabinets
- Load rated at 20 lbs.
- Installation instructions and mounting hardware included

- CH ②
- HK ②
- MP ②
- RO ②
- LM ②
- TL ②
- TH ②

WTDRO9 shown




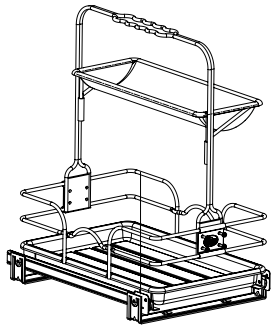
Utility Tray Kit

⑩a
UTK12
UTK12-20PR
UTK22
UTK22-20

- Removable high-impact white plastic tray installs on backside of drawer front for convenient out-of-sight storage of small items, soap, scouring pads, etc.
- UTK22 fits sink base cabinets 27" through 39" wide
- UTK12 fits sink base cabinets 42" or wider
- Concealed self-closing hinges allow drawer front to tilt down 51° for tray access
- Hinge detent holds drawer front in full open position
- Order hardware separately
- Installation instructions and mounting hardware included
- Offered one pair or 20 per carton

- CH ②
- HK ②
- MP ②
- RO ②
- LM ②
- TL ②
- TH ②

 If installing one UTK12 on a 24" wide sink base, consider utilizing the second tray on the backside of door for storage

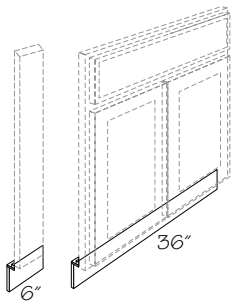


Under Sink Tote

⑩a
UST15

- Designed for under sink storage; maximizes space around plumbing fixtures
- Completely removable for convenience
- 3/4 extension roll-out assembly mounts to floor of cabinet
- Installation instructions and mounting hardware included

- CH ②
- HK ②
- MP ②
- RO ②
- LM ②
- TL ②
- TH ②



Toe Kick Backer

(10a)

TKBK6
TKBK36

- All plywood toeboard backer assembly
- Use in place of engineered wood toeboard backer assembly
- Provides support for matching toe kick cover
- TKBK6 for use with Base Fillers (BF3 and BF6)
- TKBK36 for use with Sink Fronts (SF and SFA)
- Field cut to length as required
- Shipped assembled
- Order with (ADT)

CH (2)

HK (2)

MP (2)

RO (2)

LM (2)

TL (2)

TH (2)

Toe Kick Cover - Laminate

(10a)

Laminate

1/8" Thick

■ **TKCL8**
■ **TKCL8-4**

Textured Laminate

3/16" Thick

▲ **TKCL8-TL**
▲ **TKCL8-TL-4**

- Available in specie TL; will match frame finish
- ▲ Available in specie TL only; will match door and drawer front laminate

- Matching easy clean laminate on one side, except for TKCL8-TL and TKCL8-TL-4, which are Textured Laminate (TL) on one side
- Grain direction runs lengthwise (when applicable)

❖ CH (2)

❖ HK (2)

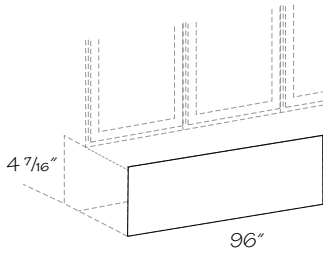
❖ MP (2)

❖ RO (2)

❖ LM (2)

❖ TL (2)

❖ TH (2)



Toe Kick Cover - Veneer

(10a)

5/32" Thick

TKCV8
TKCV8-4

- Matching wood veneer plywood finished on one side, grain direction runs lengthwise
- Available in all finishes; highlights shipped standard finish

❖ CH (2)

❖ HK (2)

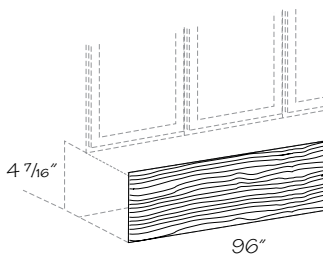
❖ MP (2)

❖ RO (2)

❖ LM (2)

❖ TL (2)

❖ TH (2)



Tall Cabinets

Construction Options and Modifications

- ❖ Included as standard
- Available with an upcharge
- ☆ Available with exceptions

(Blank) **Not** available

Note: Standard tall cabinet box depth is 12" or 24" unless stated otherwise. Add door thickness with bumpers for total depth.

Cabinets with a "B" suffix have BUTT doors without a center stile

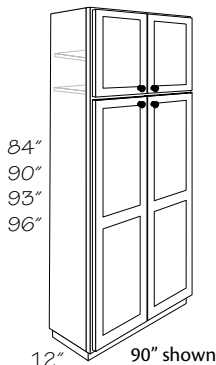
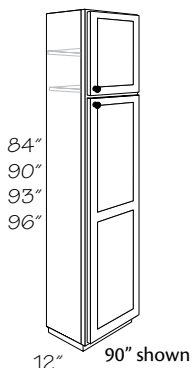
Material dimensions may vary slightly based on lumber industry standards.

Specifications subject to change without notice.

10a 10c
U1884 L

SST	Construction	7
SDT	Construction	7
PST	Construction	7
PDT	Construction	7
ADT	Construction	7
09	Depth Modification	10b
15	Depth Modification	10b
18	Depth Modification	10b
21	Depth Modification	10b
CFO	Cabinet Front Only	10g
CSO	Case Only	10g
VTK	Void Toe Kick	10g

Tall Utility Cabinet 12" Deep



10a	10c	10a	10c
<i>No shelf</i>		<i>One shelf</i>	
84" High		93" High	
U1584	R or L	U1593	R or L
U1884	R or L	U1893	R or L
U2184	R or L	U2193	R or L
U2484B		U2493	R or L
U3084B		U2493B	
U3684B		U3093B	
<i>One shelf</i>		<i>Two shelves</i>	
90" High		96" High	
U1590	R or L	U1596	R or L
U1890	R or L	U1896	R or L
U2190	R or L	U2196	R or L
U2490	R or L	U2496	R or L
U2490B		U2496B	
U3090B		U3096B	
U3690B		U3696B	

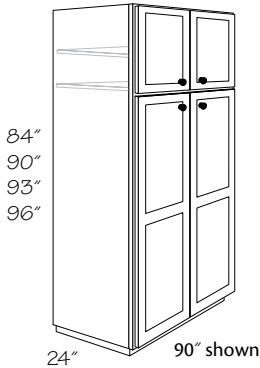
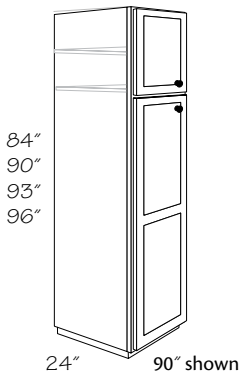
- Specify R or L for single door hinging
- If arch configuration is required for upper door(s), please specify
- Fixed shelf between top and bottom section; adjustable shelves in top section
- Tall doors are two-piece panel construction except Fusion, Lanielle, Rowan, Vance and Whitebay II
- Rowan and Vance tall doors have a single recessed panel profile; Whitebay II has a single raised panel profile
- 30" and 36" wide cabinets have 3" wide center stile in top section only
- Interior height of tall section on 84", 93" and 96" tall cabinets is 60 15/16"; 90" tall is 61 7/16"
- 93" and 96" tall cabinets include toe kick platform, shipped unattached
- Toe kick cover required on exposed sides of toe kick platform
- End panels of bottom section are pre-drilled for optional shelves
- ☆ (VTK) is unavailable on 93" and 96" high cabinets



If ordering a 93" or higher unit, consider ordering a tall end panel to flush out the exposed side

- ❖ SST 7
- ❖ SDT 7
- PST 7
- PDT 7
- ADT 7
- 09 10b
- 15 10b
- 18 10b
- 21 10b
- CFO 10g
- CSO 10g
- ☆ VTK 10g

Tall Utility Cabinet 24" Deep



10a		10c		10a		10c	
<i>No shelf</i>				<i>One shelf</i>			
84" High				93" High			
U158424	R or L	U159324	R or L	U159324	R or L	U159324	R or L
U188424	R or L	U189324	R or L	U189324	R or L	U189324	R or L
U218424	R or L	U219324	R or L	U219324	R or L	U219324	R or L
U248424	R or L	U249324	R or L	U249324	R or L	U249324	R or L
U248424B		U249324B		U249324B		U249324B	
U308424B		U309324B		U309324B		U309324B	
U368424B		U369324B		U369324B		U369324B	
<i>One shelf</i>				<i>Two shelves</i>			
90" High				96" High			
U159024	R or L	U159624	R or L	U159624	R or L	U159624	R or L
U189024	R or L	U189624	R or L	U189624	R or L	U189624	R or L
U219024	R or L	U219624	R or L	U219624	R or L	U219624	R or L
U249024	R or L	U249624	R or L	U249624	R or L	U249624	R or L
U249024B		U249624B		U249624B		U249624B	
U309024B		U309624B		U309624B		U309624B	
U369024B		U369624B		U369624B		U369624B	

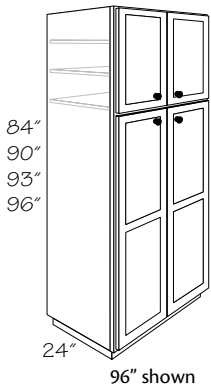
- Specify R or L for single door hinging
 - If arch configuration is required for upper door(s), please specify
 - Fixed shelf between top and bottom section; adjustable shelves in top section
 - Tall doors are two-piece panel construction except Fusion, Lanielle, Rowan, Vance and Whitebay II
 - Rowan and Vance tall doors have a single recessed panel profile; Whitebay II has a single raised panel profile
 - 30" and 36" wide cabinets have 3" wide center stile in top section only
 - Interior height of tall section on 84", 93" and 96" tall cabinets is 60 15/16"; 90" tall is 61 7/16"
 - 93" and 96" tall cabinets include toe kick platform, shipped unattached
 - Toe kick cover required on exposed sides of toe kick platform
 - End panels of bottom section are pre-drilled for optional shelves and accessory Tray Kits. See tray availability charts in the Trays section.
 - Accessory Tray Kits unavailable when cabinet is reduced to 15" depth
- ☆ (VTK) is unavailable on 93" and 96" high cabinets

- ❖ SST (7)
- ❖ SDT (7)
- PST (7)
- PDT (7)
- ADT (7)
- 09 (10a)
- 15 (10a)
- 18 (10a)
- 21 (10a)
- CFO (10a)
- CSO (10a)
- ☆ VTK (10a)



If ordering a 93" or higher unit, consider ordering a tall end panel to flush out the exposed side

Pantry Cabinet Butt Door

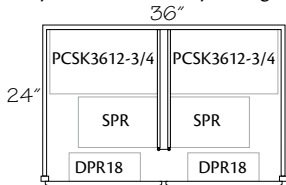


10a	
<i>No shelf</i>	
84" High	
PC3684B	
<i>One shelf</i>	
90" High	
PC3690B	
<i>One shelf</i>	
93" High	
PC3693B	
<i>Two shelves</i>	
96" High	
PC3696B	

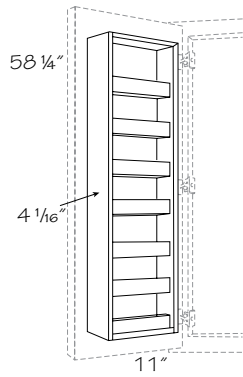
- If arch configuration is required for upper door(s), please specify
 - Fixed shelf between top and bottom section; adjustable shelves in top section
 - Tall doors are two-piece panel construction except Fusion, Lanielle, Rowan, Vance and Whitebay II
 - Rowan and Vance tall doors have a single recessed panel profile; Whitebay II has a single raised panel profile
 - 3" wide center stile in top section only
 - 93" and 96" tall cabinets include toe kick platform, shipped unattached
 - Toe kick cover required on exposed sides of toe kick platform
 - 1" thick center partition runs full-height in bottom section
 - End panels and center partition in bottom section are pre-drilled for half-depth adjustable shelves; order separately
 - Unavailable with accessory Tray Kits
 - Full Pantry Configuration options include: two Pantry Door Racks (DPR18), two Swing Out Pantry Racks (SPR) and two Pantry Cabinet Shelf Kits (PCSK3612-3/4), all items are ordered individually
 - Pantry Cabinet can be installed next to a wall or refrigerator. Optional interior racks will function if door opening is restricted to no less than 90°
 - Reinforced cabinet bottom
- ☆ (VTK) is unavailable on 93" and 96" high cabinets

- ❖ SST (7)
- ❖ SDT (7)
- PST (7)
- PDT (7)
- ADT (7)
- 09 (10a)
- 15 (10a)
- 18 (10a)
- 21 (10a)
- CFO (10a)
- CSO (10a)
- ☆ VTK (10a)

Pantry Cabinet Accessory Configuration



If ordering a 93" or higher unit, consider ordering a tall end panel to flush out the exposed side



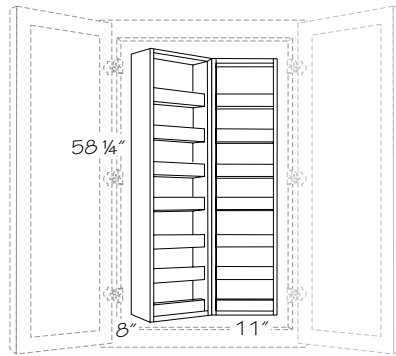
Door Pantry Rack

⑩
DPR18

- Solid, natural finished, hardwood unit, adjustable shelves and fences
- Includes: six adjustable shelves, 12 wire supports and seven 2" high fences
- Rack is designed to support up to 50 lbs. (3 1/2 lbs. per shelf)
- Mounts to backsides of tall doors on all pantry and 18" or 36" wide utility cabinets,
- Mounting hardware included
- Regardless of construction option, model is constructed the same

- ☆ **SST** ⑦
- ☆ **SDT** ⑦
- ☆ **PST** ⑦
- ☆ **PDT** ⑦
- ☆ **ADT** ⑦
- 09** ⑩b
- 15** ⑩b
- 18** ⑩b
- 21** ⑩b
- CFO** ⑩g
- CSO** ⑩g
- VTK** ⑩g

Swing-Out Pantry Rack



⑩
SPR

- Solid, natural finished, hardwood unit, adjustable shelves, fences and wire shelf supports
- Includes: 12 adjustable shelves, 24 wire shelf supports and 14 - 2" high fences
- Rack is designed to support up to 50 lbs. (3 1/2 lbs. per shelf)
- Pantry cabinet is pre-drilled for installation
- Mounting hardware included
- Regardless of construction option, model is constructed the same

- ☆ **SST** ⑦
- ☆ **SDT** ⑦
- ☆ **PST** ⑦
- ☆ **PDT** ⑦
- ☆ **ADT** ⑦
- 09** ⑩b
- 15** ⑩b
- 18** ⑩b
- 21** ⑩b
- CFO** ⑩g
- CSO** ⑩g
- VTK** ⑩g

Tall Appliance Cabinets

Construction Options and Modifications

- ❖ Included as standard
- Available with an upcharge
- ☆ Available with exceptions

(Blank) **Not** available

Cabinets with a "B" suffix have BUTT doors without a center stile

SST	Construction	⑦
SDT	Construction	⑦
PST	Construction	⑦
PDT	Construction	⑦
ADT	Construction	⑦
CFO	Cabinet Front Only	⑩g
CSO	Case Only	⑩g
VTK	Void Toe Kick	⑩g

⑩a

OCU2784B

Oven Cabinet Single

⑩a

No shelf

84" High

OCS2784B

OCS3084

OCS3084B

OCS3384

OCS3384B

OCS3090

OCS3090B

OCS3390

OCS3390B

One shelf

93" High

OCS2793B

OCS3093B

OCS3393B

Two shelves

96" High

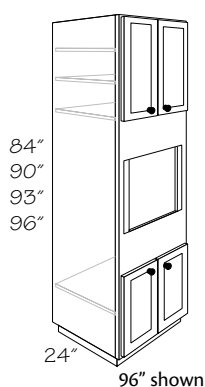
OCS2796B

OCS3096

OCS3096B

OCS3396

OCS3396B



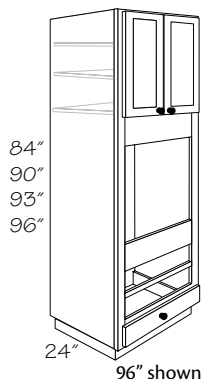
- If arch configuration is required for upper door(s), please specify
- Fixed shelf between top and bottom section; adjustable shelves in top section
- One adjustable shelf in bottom section
- Cabinet doors are: 5 1/2" shorter on top than the bottom for 84" high cabinets, are equal height on 90" high cabinets, 3 1/2" taller on top than the bottom for 93" high cabinets and are 6 1/2" taller on top than the bottom for 96" high cabinets
- Center section accommodates single ovens
- 3" wide, trimmable stiles provide opening width adjustment for painted face frames. Stained face frames have 1 1/2" wide removable, trimmable vertical stiles for easy adjustment
- 93" and 96" tall cabinets include toe kick platform, shipped unattached
- Toe kick cover required on exposed sides of toe kick platform
- Includes adjustable 1" thick engineered wood oven platform with heavy-duty mounting brackets and screws that install into pre-drilled end panel holes. Order additional support platform kits (OCSP) as needed
- See Cabinet Specifications and Options for oven cutout dimensions
- ☆ (VTK) is unavailable on 93" and 96" high cabinets

- ❖ SST ⑦
- ❖ SDT ⑦
- PST ⑦
- PDT ⑦
- ADT ⑦
- CFO ⑩g
- CSO ⑩g
- ☆ VTK ⑩g



If ordering a 93" or higher unit, consider ordering a tall end panel to flush out the exposed side

Oven Cabinet Universal



10a

No shelf

84" High

OCU2784B

OCU3084

OCU3084B

OCU3384

OCU3384B

One shelf

90" High

OCU2790B

OCU3090

OCU3090B

OCU3390

OCU3390B

One shelf

93" High

OCU2793B

OCU3093B

OCU3393B

Two shelves

96" High

OCU2796B

OCU3096

OCU3096B

OCU3396

OCU3396B

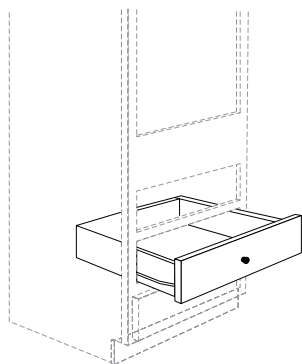
- If arch configuration is required for upper door(s), please specify
- Fixed shelf between top and bottom section; adjustable shelves in top section
- Three full-width drawer openings at bottom
- Includes one full-width drawer; order additional Oven Drawer Kits (ODK) as needed
- Face-mounted door hinges provide matching frame reveals
- 3" wide, trimmable stiles provide opening width adjustment
- Center section accommodates single and double ovens by trimming or removing horizontal cross rails
- Face frame rails are attached to stiles with screws on the back side for easy removal
- 93" and 96" tall cabinets include toe kick platform, shipped unattached
- Toe kick cover required on exposed sides of toe kick platform
- Includes adjustable 1" thick engineered wood oven platform with heavy-duty mounting brackets and screws that install into pre-drilled end panel holes. Order additional support platform kits (OCSP) as needed
- See Cabinet Specifications and Options for oven cutout dimensions
- 1" thick plywood with natural wood grain laminate on both sides for (ADT)
- ☆ (VTK) is unavailable on 93" and 96" high cabinets

- ❖ SST ?
- ❖ SDT ?
- PST ?
- PDT ?
- ADT ?
- CFO 10a
- CSO 10a
- ☆ VTK 10a



If ordering a 93" or higher unit, consider ordering a tall end panel to flush out the exposed side

Oven Drawer Kit



10a

ODK27

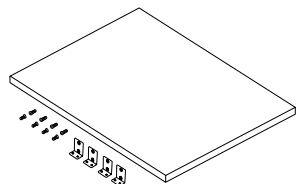
ODK30

ODK33

- For use with Oven Cabinet Universal (OCU) cabinets
- Kit includes: one drawer front, one drawer core, guides and all mounting hardware

- ❖ SST ?
- ❖ SDT ?
- ❖ PST ?
- ❖ PDT ?
- ❖ ADT ?
- CFO 10a
- CSO 10a
- VTK 10a

Oven Cabinet Support Platform



10a

OCSP27

OCSP30

OCSP33

- For installing second appliance in Oven Cabinet Universal (OCU)
- 1" thick engineered wood for SST, SDT, PST, and PDT
- 1" thick plywood with natural wood grain laminate on both sides for (ADT)
- ☆ SDT, PST and PDT orderable; shipped as SST
- Includes four heavy-duty metal mounting brackets and eight screws which install into pre-drilled holes in cabinet end panels

- ❖ SST ?
- ☆ SDT ?
- ☆ PST ?
- ☆ PDT ?
- ☆ ADT ?
- CFO 10a
- CSO 10a
- VTK 10a

Oven Cabinet Support Platform

Cabinet	Width	Depth
OCSP27	25 1/4"	22 7/16"
OCSP30	28 1/4"	22 7/16"
OCSP33	31 1/4"	22 7/16"

Tall Panels

Construction Options and Modifications

- ❖ Included as standard
- Available with an upcharge
- ☆ Available with exceptions

(Blank) **Not** available

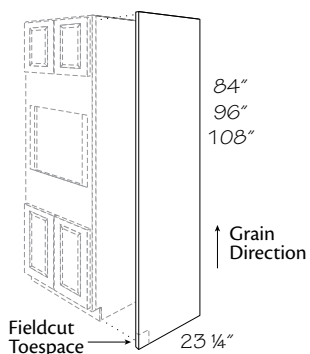
Material dimensions may vary slightly based on lumber industry standards.

Specifications subject to change without notice.

CH	Cherry	②
HK	Hickory	②
MP	Maple	②
RO	Red Oak	②
LM	Laminate	②
TL	Textured Laminate	②
TH	Thermofoil	②

10a

TEP84



Tall End Panel

10a

Paper Laminat

- ❖ **TEP84P**
- ❖ **TEP84P-2**
- ❖ **TEP96P**
- ❖ **TEP96P-2**

Textured Laminat

- ▲ **TEP84-TL**
- ▲ **TEP84-TL-2**
- ▲ **TEP96-TL**
- ▲ **TEP96-TL-2**

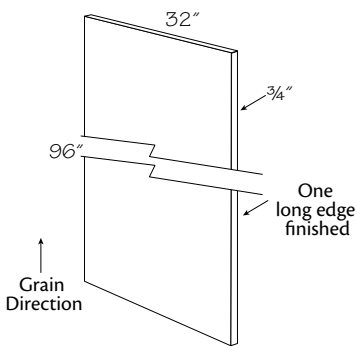
Veneer

- **TEP84**
- **TEP84-2**
- **TEP96**
- **TEP96-2**
- **TEP108**
- **TEP108-2**

- ◆ 3/16" thick Medium Density Fiberboard (MDF) panel with easy clean laminate front side; available in specie (TL) and will match frame finish
- ▲ 3/16" thick Textured Laminate (TL) panel, finished on one side; available in (TL) only; will match door and drawer front laminate
- 5/32" thick veneered plywood panel, except for (TH), which is 3/16" thick laminate

- Used to trim exposed end of tall cabinet
- Can also be used as decorative panel on doors of side by side refrigerator where trim kits from the refrigerator manufacturer are available
- For right or left hand use
- Toe space notch is field cut
- Trimmed to fit installation
- Grain direction runs lengthwise (when applicable)
- Finished one side only
- Available in all finishes; highlights shipped standard finish

- ❖ **CH** ②
- ❖ **HK** ②
- ❖ **MP** ②
- ❖ **RO** ②
- ❖ **LM** ②
- ❖ **TL** ②
- ❖ **TH** ②



Refrigerator End Panel

(10a)

Veneer

■ REP3296

Textured Laminate

▲ REP3296-TL

■ 3/4" thick engineered wood core (SST) with vertical grain veneer on both sides and edge banded on one long edge for all wood species and (LMGR);

3/4" thick engineered wood core (SST) Laminate on both sides and matching edge banding on one long edge for (THWH) and (LMWH);

3/4" thick plywood core (ADT) with vertical grain veneer on both sides and edge banded on one long edge for all wood species and (LM);

Available in all finishes; highlights shipped standard finish;

Available in specie (TL); will match frame finish; SDT, PST, and PDT orderable; shipped SST

▲ 3/4" thick Medium Density Fiberboard (MDF) core; available in (TL) only; will match door and drawer front laminate; (TL) both sides and edge banded on one long edge; SDT, PST, PDT, and ADT orderable; shipped as SST

- Use next to refrigerator to conceal side, also supports 24" deep wall cabinet over refrigerator

CH (2)

HK (2)

MP (2)

RO (2)

LM (2)

TL (2)

TH (2)

Furniture End Panels

(10b)

Not Center Drilled

FEP1353

FEP1384

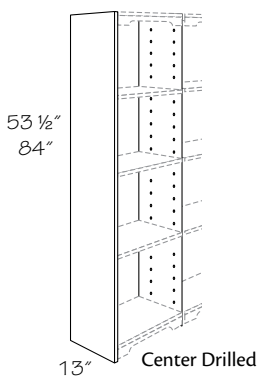
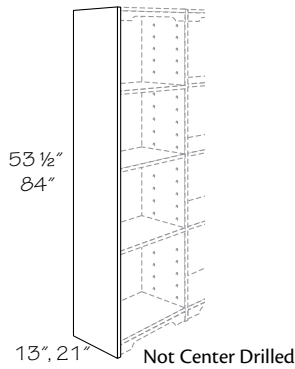
FEP2153

FEP2184

Center Drilled

FEP1353CE

FEP1384CE



- 3/4" thick engineered wood
- Front and back edges finished
- Furniture End Panels are bored one side for adjustable shelves, tops, bottoms, hanger rails and valances, while Center Furniture End Panels are bored both sides
- 53 1/2" Furniture Panels are for mounting on desk cabinets or panels and can be trimmed to 48" for mounting on kitchen base cabinets
- 84" Furniture Panels are for floor mounted installation
- Available in all finishes; highlights shipped standard finish
- Stained door styles will have a wood veneer surface; painted, Laminate and Thermofoil will have a matching laminate surface; Textured Laminate will have either veneer or laminate
- Unavailable in (ADT)

❖ CH (2)

❖ HK (2)

❖ MP (2)

❖ RO (2)

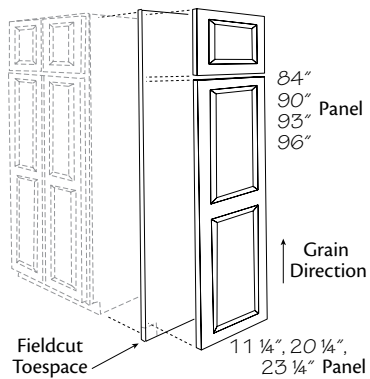
❖ LM (2)

❖ TL (2)

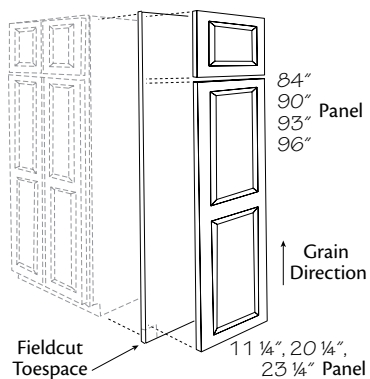
❖ TH (2)

Matching Tall End Panel

(10a)



- 84" High
MTEP1284
MTEP2184
MTEP2484
- 90" High
MTEP1290
MTEP2190
MTEP2490
- 93" High
MTEP1293
MTEP2193
MTEP2493
- 96" High
MTEP1296
MTEP2196
MTEP2496



- Provides a finished furniture look to Tall cabinet ends
- Includes end panel with decorative door
- For right or left hand use
- 5/32" thick veneered plywood panel, except Vance and Whitebay II, which have a 3/16" thick laminate panel
- All full overlay door styles overlap cabinet frame to match reveals
- If arch configuration is required for upper door(s), please specify
- Toe space notch is field cut
- Doors and panel are shipped separately; field assembly required

- ❖ CH (2)
- ❖ HK (2)
- ❖ MP (2)
- ❖ RO (2)
- ❖ LM (2)
- ❖ TL (2)
- ❖ TH (2)

Panel Size		
Item	Width	Length
MTEP1284	11 1/4"	84"
MTEP1290	11 1/4"	90"
MTEP1293	11 1/4"	93"
MTEP1296	11 1/4"	96"
MTEP2184	20 1/4"	84"
MTEP2190	20 1/4"	90"
MTEP2193	20 1/4"	93"
MTEP2196	20 1/4"	96"
MTEP2484	23 1/4"	84"
MTEP2490	23 1/4"	90"
MTEP2493	23 1/4"	93"
MTEP2496	23 1/4"	96"

Tall Fillers

Construction Options and Modifications

- ❖ Included as standard
- Available with an upcharge
- ☆ Available with exceptions

(Blank) **Not** available

Material dimensions may vary slightly based on lumber industry standards.

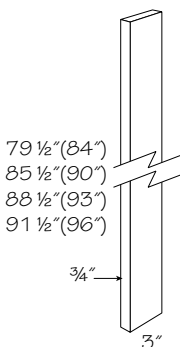
Specifications subject to change without notice.

Note: Textured Laminate will be stained or painted; Laminate and Thermofoil will be painted unless noted

CH	Cherry	②
HK	Hickory	②
MP	Maple	②
RO	Red Oak	②
LM	Laminate	②
TL	Textured Laminate	②
TH	Thermofoil	②

⑩a

TEPF1-84



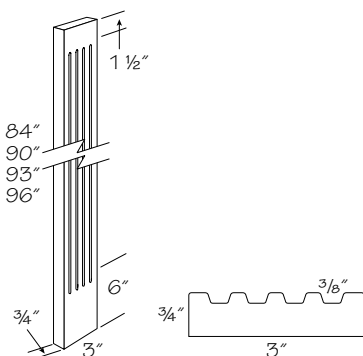
Tall Filler

⑩a

TF3-84
TF3-90
TF3-93
TF3-96

- 3/4" thick solid wood
- Backside of filler unfinished
- Available in all finishes; highlights shipped standard finish

- ❖ CH ②
- ❖ HK ②
- ❖ MP ②
- ❖ RO ②
- ❖ LM ②
- ❖ TL ②
- ❖ TH ②



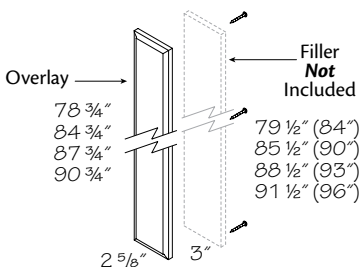
Tall Fluted Filler

⑩a

TFF3-84
TFF3-90
TFF3-93
TFF3-96

- Solid wood
- Four flutes
- Backside of filler unfinished
- Available in all finishes; painted highlights shipped standard finish

- ❖ CH ②
- ❖ HK ②
- ❖ MP ②
- ❖ RO ②
- ❖ LM ②
- ❖ TL ②
- ❖ TH ②



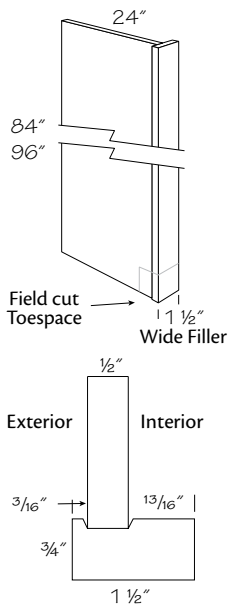
Filler Overlay

⑩a

OL3-84
OL3-90
OL3-93
OL3-96

- Attaches to 3" wide fillers; sold separately
- 3/4" thick with matching profile on all four edges, sized to match door height of adjacent cabinet
- Available for all full overlay door styles, except Fusion
- Spacers installed on backside to align with doors of adjacent cabinet
- Mounting hardware included
- Specify door style, specie and finish

- ❖ CH ②
- ❖ HK ②
- ❖ MP ②
- ❖ RO ②
- ❖ LM ②
- ❖ TL ②
- ❖ TH ②



Tall End Panel Filler

(03a)

Solid Wood

- **TEPF1-84**
- **TEPF1-96**

Textured Laminate

- ▲ **TEPF1-84-TL**
- ▲ **TEPF1-96-TL**

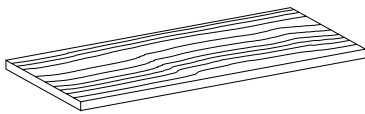
- Available in specie (TL); will match frame finish; 1/2" thick plywood panel with matching veneer finish; 1/2" thick matching laminate on both sides for (TL); available in all finishes; highlights shipped standard finish
- ▲ Available in specie TL only; attached filler will match frame finish and panel will match door and drawer front laminate; regardless of construction option, model is constructed the same

- Use next to refrigerator to conceal side, also supports 24" deep wall cabinet over refrigerator
- Toe space notch is field cut
- One per carton
- Regardless of construction option, model is constructed the same

❖	CH	②
❖	HK	②
❖	MP	②
❖	RO	②
❖	LM	②
❖	TL	②
❖	TH	②

Tall Shelving

Material dimensions may vary slightly based on lumber industry standards.
Specifications subject to change without notice.



Tall Replacement Shelves



Tall - 12" Deep
Actual depth 10 19/32"
Finished both sides and
one edge

RTS1512
RTS1812
RTS2112
RTS2412
RTS3012
RTS3612

Tall - 18" Deep
Actual depth 16 19/32"
Finished both sides and
one edge

RTS1518
RTS1818
RTS2118
RTS2418

Tall - 21" Deep
Actual depth 19 19/32"
Finished both sides and
one edge

RTS1521
RTS1821
RTS2121
RTS2421

Tall - 24" Deep
Actual depth 22 19/32"
Finished both sides and
one edge

RTS1524
RTS1824
RTS2124
RTS2424
RTS2724
RTS3024
RTS3324
RTS3624

- Replacement shelves for all standard size cabinets
- 3/4" thick except where noted
- Moisture-and-stain resistant, easy to clean Natural Wood laminate and matching edgebanding on exposed surfaces
- Specify cabinet construction: ADT = plywood; PDT, PST, SDT and SST = engineered wood
- Includes one shelf
- **Note:** For reduced depth cabinets, field cut shelves to size. For increased depth cabinets, order the appropriate deeper shelf and field cut if necessary

Tall Accessories

Construction Options and Modifications

- ❖ Included as standard
- Available with an upcharge
- ☆ Available with exceptions

(Blank) **Not** available

CH	Cherry	②
HK	Hickory	②
MP	Maple	②
RO	Red Oak	②
LM	Laminate	②
TL	Textured Laminate	②
TH	Thermofoil	②

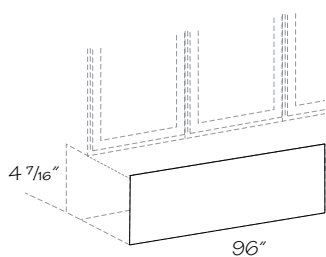
Note: Textured Laminate will be stained or painted; Laminate and Thermofoil will be painted unless noted

⑩a

TKCV8

Toe Kick Cover - Laminate

⑩a



- Laminate
- 1/8" Thick
- **TKCL8**
- **TKCL8-4**
- Textured Laminate 3/16" Thick
- ▲ **TKCL8-TL**
- ▲ **TKCL8-TL-4**

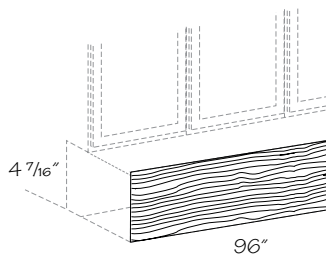
- Available in specie TL; will match frame finish
- ▲ Available in specie TL only; will match door and drawer front laminate

- Matching easy clean laminate on one side, except for TKCL8-TL and TKCL8-TL-4, which are Textured Laminate (TL) on one side
- Grain direction runs lengthwise (when applicable)

❖	CH	②
❖	HK	②
❖	MP	②
❖	RO	②
❖	LM	②
❖	TL	②
❖	TH	②

Toe Kick Cover - Veneer

⑩a



- 5/32" Thick
- TKCV8**
- TKCV8-4**

- Matching wood veneer plywood finished on one side, grain direction runs lengthwise
- Available in all finishes; highlights shipped standard finish

❖	CH	②
❖	HK	②
❖	MP	②
❖	RO	②
❖	LM	②
❖	TL	②
❖	TH	②

Vanity Cabinets

Construction Options and Modifications

- ❖ Included as standard
- Available with an upcharge
- ☆ Available with exceptions

(Blank) **Not** available

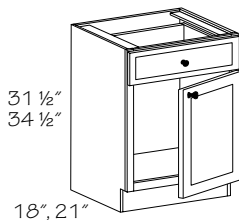
Cabinets with a "B" suffix have BUTT doors without a center stile

Material dimensions may vary slightly based on lumber industry standards.

Specifications subject to change without notice.

10a 10c
VB12 L

SST	Construction	7
SDT	Construction	7
PST	Construction	7
PDT	Construction	7
ADT	Construction	7
09	Depth Modification	10b
12	Depth Modification	10b
15	Depth Modification	10b
CFO	Cabinet Front Only	10g
CSO	Case Only	10g
VTK	Void Toe Kick	10g



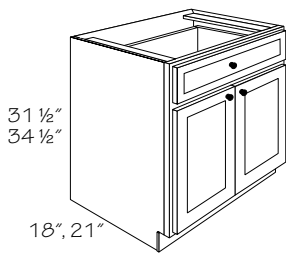
Vanity Base Single Door

10a	10c	10a	10c
31 1/2" High 18" Deep	R or L	31 1/2" High 21" Deep	R or L
■ VB1218	R or L	■ VB12	R or L
■ VB1518	R or L	■ VB15	R or L
■ VB1818	R or L	■ VB18	R or L
■ VB2118	R or L	■ VB21	R or L
■ VB2418	R or L	■ VB24	R or L
34 1/2" High 18" Deep	R or L	34 1/2" High 21" Deep	R or L
■ VB123518	R or L	■ VB1235	R or L
■ VB153518	R or L	■ VB1535	R or L
■ VB183518	R or L	■ VB1835	R or L
■ VB213518	R or L	■ VB2135	R or L
■ VB243518	R or L	■ VB2435	R or L

■ Depth modification options are unavailable

- Specify R or L for single door hinging
- Standard height top drawer
- Back panel is pre-drilled for optional bottom and mid-height accessory Tray Kits. See tray availability charts in the Trays section
- **Note:** When depth is reduced to 12" or 15", drawers become false fronts

- ❖ SST 7
- ❖ SDT 7
- PST 7
- PDT 7
- ADT 7
- 09 10b
- 12 10b
- 15 10b
- CFO 10g
- CSO 10g
- VTK 10g



Vanity Base Double Door

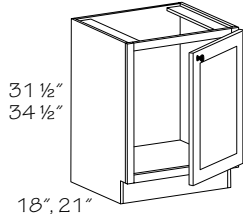
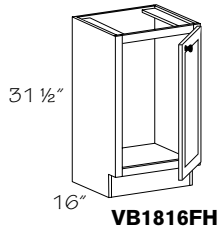
10a
31 1/2" High 18" Deep
■ VB2418B
34 1/2" High 31 1/2" High
■ VB243518B
21" Deep VB24B
34 1/2" High 21" Deep VB2435B

■ Depth modification options are unavailable

- Standard height top drawer
- Back panel is pre-drilled for optional bottom and mid-height accessory Tray Kits. See tray availability charts in the Trays section
- **Note:** When depth is reduced to 12" or 15", drawers become false fronts

- ❖ SST 7
- ❖ SDT 7
- PST 7
- PDT 7
- ADT 7
- 09 10b
- 12 10b
- 15 10b
- CFO 10g
- CSO 10g
- VTK 10g

Vanity Base Single Door Full-Height



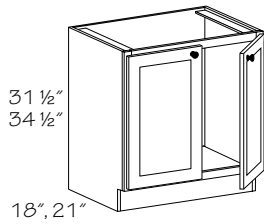
	(10a)	(10c)
	31 1/2" High	
■▲	16" Deep	
■▲	VB1816FH	R or L
	31 1/2" High	
	18" Deep	
■	VB1818FH	R or L
■	VB2118FH	R or L
■	VB2418SFH	R or L
	34 1/2" High	
	18" Deep	
■	VB183518FH	R or L
■	VB213518FH	R or L
■	VB243518SFH	R or L
	31 1/2" High	
	21" Deep	
	VB18FH	R or L
	VB21FH	R or L
	VB24SFH	R or L
	34 1/2" High	
	21" Deep	
	VB1835FH	R or L
	VB2135FH	R or L
	VB2435SFH	R or L

- ▲ Accessory Roll-Out Trays unavailable
- Depth modification options are unavailable

- Specify R or L for single door hinging
- Back panel is pre-drilled for optional bottom and mid-height accessory Tray Kits. See tray availability charts in the Trays section

- ❖ **SST** (7)
- ❖ **SDT** (7)
- **PST** (7)
- **PDT** (7)
- **ADT** (7)
- **09** (10c)
- **12** (10c)
- **15** (10c)
- **CFO** (10g)
- **CSO** (10g)
- **VTK** (10g)

Vanity Base Double Door Full-Height

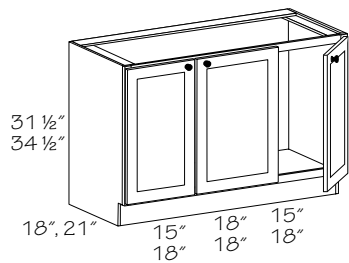


	(10a)	(10a)
	31 1/2" High	31 1/2" High
	18" Deep	21" Deep
■	VB2418FH	VB24FH
■	VB2418BFH	VB24BFH
■	VB2718BFH	VB27BFH
■	VB3018FH	VB30FH
■	VB3018BFH	VB30BFH
■	VB3318FH	VB33FH
■	VB3318BFH	VB33BFH
■	VB3618FH	VB36FH
■	VB3618BFH	VB36BFH
■	VB3918FH	VB39FH
■	VB4218FH	VB42FH
	34 1/2" High	34 1/2" High
	18" Deep	21" Deep
■	VB243518BFH	VB2435BFH
■	VB273518BFH	VB2735BFH
■	VB303518FH	VB3035FH
■	VB303518BFH	VB3035BFH
■	VB333518FH	VB3335FH
■	VB333518BFH	VB3335BFH
■	VB363518FH	VB3635FH
■	VB363518BFH	VB3635BFH
■	VB393518FH	VB3935FH
■	VB423518FH	VB4235FH

- Depth modification options are unavailable
- Accessory Roll-Out Trays unavailable

- Back panel is pre-drilled for optional bottom and mid-height accessory Tray Kits. See tray availability charts in the Trays section
- 42" wide and wider cabinets have a full-width support cross rail across top back of cabinet

- ❖ **SST** (7)
- ❖ **SDT** (7)
- **PST** (7)
- **PDT** (7)
- **ADT** (7)
- **09** (10c)
- **12** (10c)
- **15** (10c)
- **CFO** (10g)
- **CSO** (10g)
- **VTK** (10g)



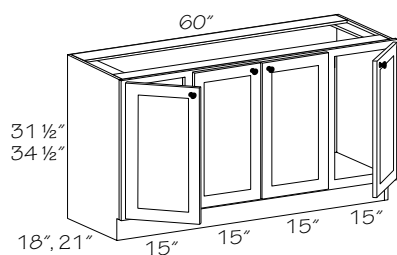
Vanity Base Three Door Full-Height

- 10a
- 31 1/2" High
- 18" Deep
- **VB4818FH**
- **VB5418FH**
- 34 1/2" High
- 18" Deep
- **VB483518FH**
- **VB543518FH**
- 31 1/2" High
- 21" Deep
- VB48FH**
- VB54FH**
- 34 1/2" High
- 21" Deep
- VB4835FH**
- VB5435FH**

■ Depth modification options are unavailable

- Center door on 48" cabinets is 3" wider than outer doors
- 54" cabinets have three equal size doors
- Center door is hinged right
- Back panel is pre-drilled for optional bottom and mid-height accessory Tray Kits that fit behind outer doors. See tray availability charts in the Trays section
- Back panel of VB5435FH and VB543518FH is pre-drilled for accessory Roll-Out Trays that fit behind the center door
- Tray Kits available that fit behind the center door for remaining sizes but back panel is **not** pre-drilled
- 42" wide and wider cabinets have a full-width support cross rail across top back of cabinet
- 54" wide cabinets have a full-width support cross rail across top front and back of cabinet

- ❖ **SST** (7)
- ❖ **SDT** (7)
- **PST** (7)
- **PDT** (7)
- **ADT** (7)
- 09 (10a)
- 12 (10a)
- 15 (10a)
- **CFO** (10a)
- **CSO** (10a)
- **VTK** (10a)



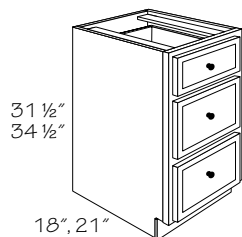
Vanity Base Four Door Full-Height

- 10a
- 31 1/2" High
- 18" Deep
- **VBT6018FH**
- 34 1/2" High
- 18" Deep
- **VBT603518FH**
- 31 1/2" High
- 21" Deep
- VBT60FH**
- 34 1/2" High
- 21" Deep
- VBT6035FH**

■ Depth modification options are unavailable

- Doors are equal size
- Doors left of center hinged left, doors right of center hinged right
- Full-width support cross rail across top front and back of cabinet
- Back panel is pre-drilled for optional bottom and mid-height accessory Tray Kits that fit behind outer doors. See tray availability charts in the Trays section
- Tray Kits available for middle doors but back panel is **not** pre-drilled

- ❖ **SST** (7)
- **SDT** (7)
- **PST** (7)
- **PDT** (7)
- **ADT** (7)
- 09 (10a)
- 12 (10a)
- 15 (10a)
- **CFO** (10a)
- **CSO** (10a)
- **VTK** (10a)

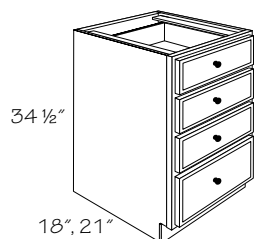


Vanity Drawer Three Drawer

- 10a
- 31 1/2" High
- 18" Deep
- VD1218-3D**
- VD1518-3D**
- VD1818-3D**
- VD2118-3D**
- VD2418-3D**
- 34 1/2" High
- 18" Deep
- VD123518-3D**
- VD153518-3D**
- VD183518-3D**
- VD213518-3D**
- VD243518-3D**
- 10a
- 31 1/2" High
- 21" Deep
- VD12-3D**
- VD15-3D**
- VD18-3D**
- VD21-3D**
- VD24-3D**
- 34 1/2" High
- 21" Deep
- VD1235-3D**
- VD1535-3D**
- VD1835-3D**
- VD2135-3D**
- VD2435-3D**

- One standard height top drawer and two deep drawers below

- ❖ **SST** (7)
- ❖ **SDT** (7)
- **PST** (7)
- **PDT** (7)
- **ADT** (7)
- 09 (10a)
- 12 (10a)
- 15 (10a)
- **CFO** (10a)
- **CSO** (10a)
- **VTK** (10a)



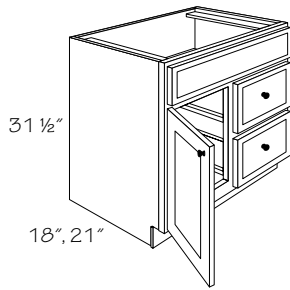
Vanity Drawer Four Drawer

- 10a
- 34 1/2" High
- 18" Deep
- VD123518-4D**
- VD153518-4D**
- VD183518-4D**
- VD213518-4D**
- VD243518-4D**
- 34 1/2" High
- 21" Deep
- VD1235-4D**
- VD1535-4D**
- VD1835-4D**
- VD2135-4D**
- VD2435-4D**

- Three standard height upper drawers and one deep drawer below

- ❖ **SST** (7)
- ❖ **SDT** (7)
- **PST** (7)
- **PDT** (7)
- **ADT** (7)
- 09 (10a)
- 12 (10a)
- 15 (10a)
- **CFO** (10a)
- **CSO** (10a)
- **VTK** (10a)

Vanity Combination Drawer Two Drawer



10a

31 1/2" High
18" Deep

- VCD2418 DR or DL
- VCD3018 DR or DL
- VCD3318 DR or DL
- VCD3618 DR or DL

31 1/2" High

21" Deep

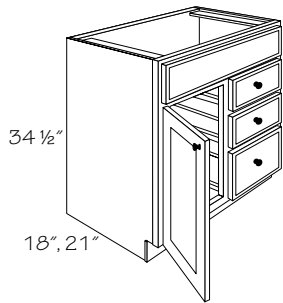
- VCD24 DR or DL
- VCD30 DR or DL
- VCD33 DR or DL
- VCD36 DR or DL

■ Depth modification options are unavailable

- Specify DR (Drawer Right) or DL (Drawer Left) position for drawers
- One door and one full-width drawer front above door and drawers
- Two deep drawers
- Back panel is pre-drilled for optional bottom and mid-height accessory Tray Kits. See tray availability charts in the Trays section
- **Note:** When depth is reduced to 12" or 15", drawers become false fronts

- ❖ SST 7
- ❖ SDT 7
- PST 7
- PDT 7
- ADT 7
- 09 10a
- 12 10a
- 15 10a
- CFO 10a
- CSO 10a
- VTK 10a

Vanity Combination Drawer Three Drawer



10a

34 1/2" High

18" Deep

- VCD243518 DR or DL
- VCD303518 DR or DL
- VCD333518 DR or DL
- VCD363518 DR or DL

34 1/2" High

21" Deep

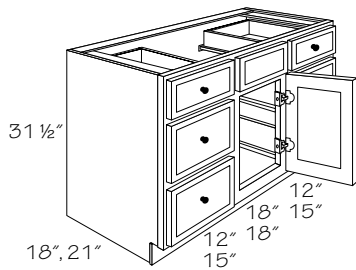
- VCD2435 DR or DL
- VCD3035 DR or DL
- VCD3335 DR or DL
- VCD3635 DR or DL

■ Depth modification options are unavailable

- Specify DR (Drawer Right) or DL (Drawer Left) position for drawers
- One door and one full-width drawer front above door and drawers
- Two standard height drawers and one lower deep drawer
- Back panel is pre-drilled for optional bottom and mid-height accessory Tray Kits. See tray availability charts in the Trays section
- **Note:** When depth is reduced to 12" or 15", drawers become false fronts

- ❖ SST 7
- ❖ SDT 7
- PST 7
- PDT 7
- ADT 7
- 09 10a
- 12 10a
- 15 10a
- CFO 10a
- CSO 10a
- VTK 10a

Vanity Combination Drawer Six Drawer Single Door



10a

31 1/2" High

18" Deep

- VCD4218
- VCD4818

31 1/2" High

21" Deep

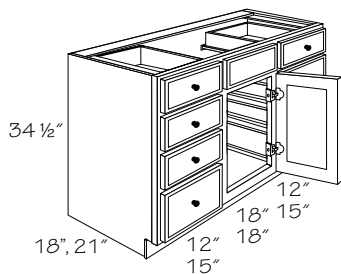
- VCD42
- VCD48

■ Depth modification options are unavailable

- Two standard height top drawers and four deep lower drawers
- Center door is hinged right
- Drawer front only between top drawers
- Space between drawers for sink installation is 21"
- Tray Kits available that fit behind the door but back panel is **not** pre-drilled
- Instructions and hardware included to convert drawers into false drawer fronts for larger vanity bowls
- **Note:** When depth is reduced to 12" or 15", drawers become false fronts
- Full-width support cross rail across top back of cabinet

- ❖ SST 7
- ❖ SDT 7
- PST 7
- PDT 7
- ADT 7
- 09 10a
- 12 10a
- 15 10a
- CFO 10a
- CSO 10a
- VTK 10a

Vanity Combination Drawer Eight Drawer Single Door



10a

34 1/2" High

18" Deep

- VCD423518
- VCD483518

34 1/2" High

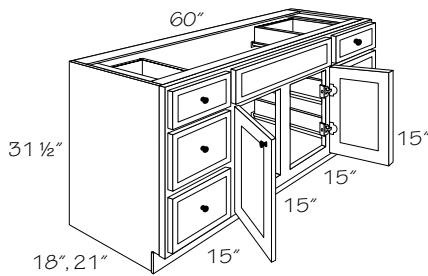
21" Deep

- VCD4235
- VCD4835

■ Depth modification options are unavailable

- Six standard height upper drawers and two deep lower drawers
- Center door is hinged right
- False drawer front only between top drawers
- Space between drawers for sink installation is 21"
- Tray Kits available that fit behind the door but back panel is **not** pre-drilled
- **Note:** When depth is reduced to 12" or 15", drawers become false fronts
- Full-width support cross rail across top back of cabinet

- ❖ SST 7
- ❖ SDT 7
- PST 7
- PDT 7
- ADT 7
- 09 10a
- 12 10a
- 15 10a
- CFO 10a
- CSO 10a
- VTK 10a



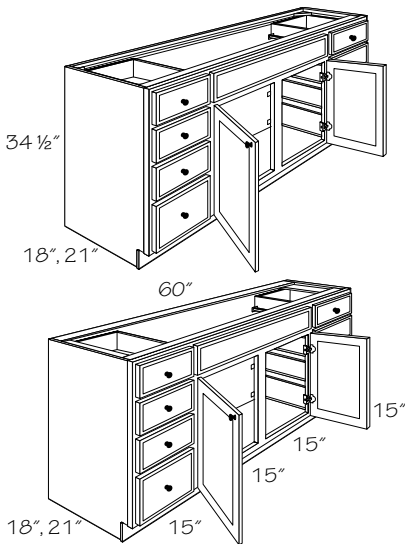
Vanity Combination Drawer Six Drawer Double Door

31 1/2" High
 18" Deep
VCDT6018
 31 1/2" High
 21" Deep
VCDT60

■ Depth modification options are unavailable

- Two standard height top drawers and four deep lower drawers
- False drawer front only between top drawers
- Full-width support cross rail across top front and back of cabinet
- Space between drawers for sink installation is 33"
- Tray Kits available that fit behind the door but back panel is **not** pre-drilled
- **Note:** When depth is reduced to 12" or 15", drawers become false fronts
- Instructions and hardware included to convert top drawers into false drawer fronts only for offset or double vanity bowls

- ❖ SST (7)
- ❖ SDT (7)
- PST (7)
- PDT (7)
- ADT (7)
- 09 (0b)
- 12 (0b)
- 15 (0b)
- CFO (0g)
- CSO (0g)
- VTK (0g)



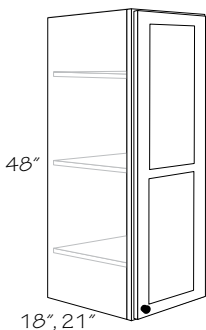
Vanity Combination Drawer Eight Drawer Double Door

34 1/2" High
 18" Deep
VCDT603518
 34 1/2" High
 21" Deep
VCDT6035

■ Depth modification options are unavailable

- Six standard height upper drawers and two deep lower drawers
- False drawer front only between top drawers
- Full-width support cross rail across top front and back of cabinet
- Space between drawers for sink installation is 33"
- Tray Kits available that fit behind the door but back panel is **not** pre-drilled
- **Note:** When depth is reduced to 12" or 15", drawers become false fronts
- Instructions and hardware included to convert top drawers into false drawer fronts only for offset or double vanity bowls

- ❖ SST (7)
- ❖ SDT (7)
- PST (7)
- PDT (7)
- ADT (7)
- 09 (0b)
- 12 (0b)
- 15 (0b)
- CFO (0g)
- CSO (0g)
- VTK (0g)



Vanity Linen Cabinet

18" Deep
VLC184818 R or L
 21" Deep
VLC1848 R or L

■ Depth modification options are unavailable

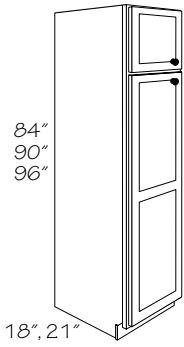
- Specify R or L for single door hinging
- Three full-depth adjustable shelves
- Tall doors are two-piece panel construction except Fusion, Lanielle, Rowan, Vance and Whitebay II
- Rowan and Vance tall doors have a single recessed panel profile; Whitebay II has a single raised panel profile
- Cabinet designed to stack directly on an 18" VB or VD cabinet, countertop or other support
- Accessory Roll-Out Trays unavailable

- ❖ SST (7)
- ❖ SDT (7)
- PST (7)
- PDT (7)
- ADT (7)
- 09 (0b)
- 12 (0b)
- 15 (0b)
- CFO (0g)
- CSO (0g)
- VTK (0g)



Caution: Additional support is required. See installation sheet provided with cabinet or the cabinet installation guide

Vanity Linen Cabinet Tall



(10a)	(10c)	(10a)	(10c)
84" High 18" Deep No Shelf		84" High 21" Deep No Shelf	
■ VLC158418	R or L	■ VLC1584	R or L
■ VLC188418	R or L	■ VLC1884	R or L
■ VLC218418	R or L	■ VLC2184	R or L
■ VLC248418	R or L	■ VLC2484	R or L
■ VLC248418B		■ VLC2484B	
90" High 18" Deep One Shelf		90" High 21" Deep One Shelf	
■ VLC159018	R or L	■ VLC1590	R or L
■ VLC189018	R or L	■ VLC1890	R or L
■ VLC219018	R or L	■ VLC2190	R or L
■ VLC249018	R or L	■ VLC2490	R or L
■ VLC249018B		■ VLC2490B	
96" High 18" Deep Two Shelves		96" High 21" Deep Two Shelves	
■ VLC159618	R or L	■ VLC1596	R or L
■ VLC189618	R or L	■ VLC1896	R or L
■ VLC219618	R or L	■ VLC2196	R or L
■ VLC249618	R or L	■ VLC2496	R or L
■ VLC249618B		■ VLC2496B	

■ Depth modification options are unavailable

- Specify R or L for single door hinging
- Fixed shelf between top and bottom section with adjustable shelves in top section
- Tall doors are two-piece panel construction except Fusion, Lanielle, Rowan, Vance and Whitebay II
- Rowan and Vance tall doors have a single recessed panel profile; Whitebay II has a single raised panel profile
- Interior height of tall section on 84" and 96" tall cabinets is 60 15/16"; 90" tall is 61 7/16"
- 96" high cabinets include toe kick platform shipped unattached for easier handling and installation
- Toe kick cover required on exposed sides of toe kick platform
- End panels of bottom section are pre-drilled for optional shelves and accessory Tray Kits. See tray availability charts in the Trays section.
- ☆ (VTK) is unavailable on 96" high cabinets
- Accessory Tray Kits unavailable when cabinet is reduced to 15" depth

- ❖ **SST** (?)
- ❖ **SDT** (?)
- **PST** (?)
- **PDT** (?)
- **ADT** (?)
- **09** (10a)
- **12** (10a)
- **15** (10a)
- **CFO** (10a)
- **CSO** (10a)
- ☆ **VTK** (10a)

Vanity Sink Cabinets

Construction Options and Modifications

- ❖ Included as standard
 - Available with an upcharge
 - ☆ Available with exceptions
- (Blank) **Not** available

Cabinets with a "B" suffix have BUTT doors without a center stile

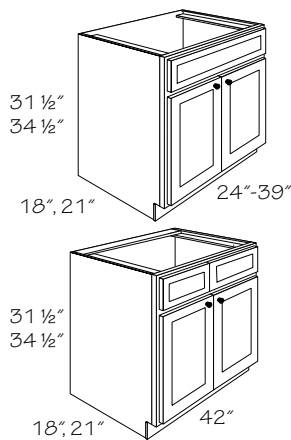
Material dimensions may vary slightly based on lumber industry standards.

Specifications subject to change without notice.

SST	Construction	⑦
SDT	Construction	⑦
PST	Construction	⑦
PDT	Construction	⑦
ADT	Construction	⑦
12	Depth Modification	⑩b
15	Depth Modification	⑩b
CFO	Cabinet Front Only	⑩g
CSO	Case Only	⑩g
VTK	Void Toe Kick	⑩g

⑩a

VSB2418B



Vanity Sink Base Double Door

⑩a

⑩a

- 31 1/2" High
18" Deep
- VSB2418B
 - VSB2718B
 - VSB3018B
 - VSB3318B
 - VSB3618B
 - VSB3918
 - VSB4218

- 31 1/2" High
21" Deep
- VSB24B
 - VSB27B
 - VSB30B
 - VSB33B
 - VSB36B
 - VSB39
 - VSB42

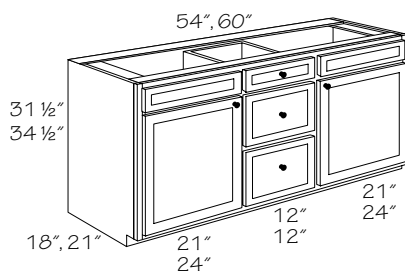
- 34 1/2" High
18" Deep
- VSB243518B
 - VSB273518B
 - VSB303518B
 - VSB333518B
 - VSB363518B
 - VSB393518
 - VSB423518

- 34 1/2" High
21" Deep
- VSB2435B
 - VSB2735B
 - VSB3035B
 - VSB3335B
 - VSB3635B
 - VSB3935
 - VSB4235

■ Depth modification options are unavailable

- All cabinets have one full-width false drawer front except 42" wide cabinets
- Back panel is pre-drilled for optional bottom and mid-height accessory Tray Kits. See tray availability charts in the Trays section
- 42" wide and wider cabinets have a full-width support cross rail across top back of cabinet

- ❖ SST ⑦
- ❖ SDT ⑦
- PST ⑦
- PDT ⑦
- ADT ⑦
- 12 ⑩b
- 15 ⑩b
- CFO ⑩g
- CSO ⑩g
- VTK ⑩g



Vanity Sink Base Double Bowl

⑩a

- 31 1/2" High
18" Deep
- VSB5418-3D
 - VSBT6018-3D
- 34 1/2" High
18" Deep
- VSB543518-4D
 - VSBT603518-4D

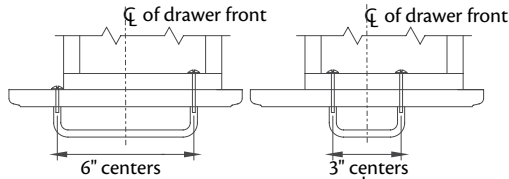
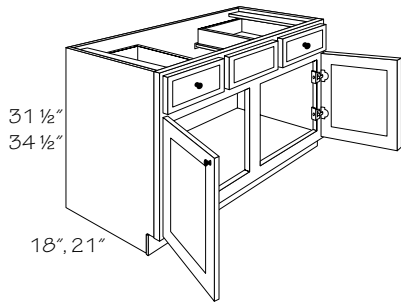
- 31 1/2" High
21" Deep
- VSB54-3D
 - VSBT60-3D
- 34 1/2" High
21" Deep
- VSB5435-4D
 - VSBT6035-4D

■ Depth modification options are unavailable

- 31 1/2" high cabinets have three drawers in the center section, one top drawer of standard height, two deep drawers below
- 34 1/2" high cabinets have four drawers in the center section, three top drawers of standard height and one deep drawer below
- One full-width false drawer front above doors
- Full-width support cross rail across top front and back of cabinet
- Opening on each end for sink installation is 21 7/8" for 54" cabinet and 24 3/4" for 60" cabinet
- Back panel is pre-drilled for optional bottom and mid-height accessory Tray Kits that fit behind outer doors. See tray availability charts in the Trays section
- Instructions and hardware included to convert the top drawer into a false drawer front for larger vanity bowls
- **Note:** When depth is reduced to 12" or 15", drawers become false fronts

- ❖ SST ⑦
- ❖ SDT ⑦
- PST ⑦
- PDT ⑦
- ADT ⑦
- 12 ⑩b
- 15 ⑩b
- CFO ⑩g
- CSO ⑩g
- VTK ⑩g

Vanity Sink Base Two Drawer Double Door



Right hand drawer shown

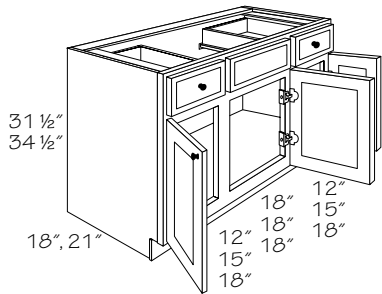
- 18" Deep
31 1/2" High
■ **VSB3618-2D**
- 21" Deep
31 1/2" High
■ **VSB36-2D**
- 34 1/2" High
■ **VSB363518-2D**
- 34 1/2" High
■ **VSB3635-2D**

■ Depth modification options are unavailable

- False drawer front only between top drawers
- Space between drawers for sink installation is 18"
- Back panel is pre-drilled for optional bottom and mid-height accessory Tray Kits. See tray availability charts in the Trays section
- **Note:** When depth is reduced to 12" or 15", drawers become false fronts
- **Note:** Two standard height top drawers. Drawer fronts are offset from drawer core. This limits the sizes of pulls that can be positioned in the middle of the drawer front to pulls with 6" centers or 3" and narrower centers

- ❖ SST (7)
- ❖ SDT (7)
- PST (7)
- PDT (7)
- ADT (7)
- 12 (10b)
- 15 (10b)
- CFO (10g)
- CSO (10g)
- VTK (10g)

Vanity Sink Base Two Drawer Three Door



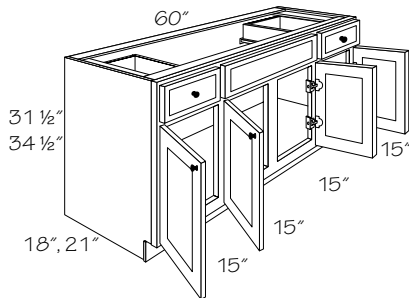
- 31 1/2" High
- 18" Deep
■ **VSB4218-2D**
- **VSB4818-2D**
- **VSB5418-2D**
- 34 1/2" High
- 18" Deep
■ **VSB423518-2D**
- **VSB483518-2D**
- **VSB543518-2D**
- 31 1/2" High
- 21" Deep
■ **VSB42-2D**
- **VSB48-2D**
- **VSB54-2D**
- 34 1/2" High
- 21" Deep
■ **VSB4235-2D**
- **VSB4835-2D**
- **VSB5435-2D**

■ Depth modification options are unavailable

- Two standard height top drawers
- False drawer front only between top drawers
- Center door is hinged right
- Center door on 42" cabinets is 6" wider than outer doors
- Center door on 48" cabinets is 3" wider than outer doors
- Doors are equal size on 54" cabinets
- Back panel is pre-drilled for optional bottom and mid-height accessory Tray Kits that fit behind outer doors. See tray availability charts in the Trays section
- Tray Kits available for center door but back panel is **not** pre-drilled
- Back panel of VSB5435-2D and VSB543518-2D is pre-drilled for accessory Roll-Out Trays that fit behind the center door
- Space between drawers for sink installation is 21"
- 42" to 48" wide cabinets have a full-width support cross rail across top back of cabinet
- 54" wide cabinets have a full-width support cross rail across top front and back of cabinet
- **Note:** When depth is reduced to 12" or 15", drawers become false fronts
- Instructions and hardware included to convert drawers into false drawer fronts for larger vanity bowls

- ❖ SST (7)
- ❖ SDT (7)
- PST (7)
- PDT (7)
- ADT (7)
- 12 (10b)
- 15 (10b)
- CFO (10g)
- CSO (10g)
- VTK (10g)

Vanity Sink Base Two Drawer Four Door



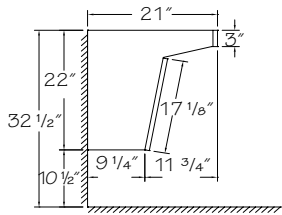
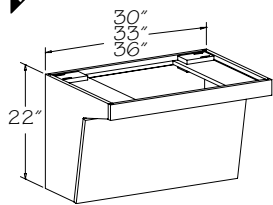
- 31 1/2" High
- 18" Deep
■ **VSBT6018-2D**
- 34 1/2" High
- 18" Deep
■ **VSBT603518-2D**
- 31 1/2" High
- 21" Deep
■ **VSBT60-2D**
- 34 1/2" High
- 21" Deep
■ **VSBT6035-2D**

■ Depth modification options are unavailable

- Two standard height top drawers
- False drawer front only between top drawers
- Doors left of center hinged left, doors right of center hinged right
- Space between drawers for sink installation is 33"
- Full-width support cross rail across top front and back of cabinet
- Back panel is pre-drilled for optional bottom and mid-height accessory Tray Kits that fit behind outer doors. See tray availability charts in the Trays section
- Tray Kits available for center door but back panel is **not** pre-drilled
- **Note:** When depth is reduced to 12" or 15", drawers become false fronts

- ❖ SST (7)
- ❖ SDT (7)
- PST (7)
- PDT (7)
- ADT (7)
- 12 (10b)
- 15 (10b)
- CFO (10g)
- CSO (10g)
- VTK (10g)

New



Vanity Floating Plumbing Skirt True

VFPST30
VFPST33
VFPST36

Grey color coding indicates new product, size or code.

- ☆ All cabinet components are constructed of plywood
- ☆ Regardless of construction option, model is constructed the same



Warning: Floating plumbing unit must be securely attached to wall studs

- ☆ **SST**
- ☆ **SDT**
- ☆ **PST**
- ☆ **PDT**
- ☆ **ADT**
- 12**
- 15**
- CFO**
- CSO**
- VTK**

Vanity Wall Cabinets

Construction Options and Modifications

- ❖ Included as standard
- Available with an upcharge
- ☆ Available with exceptions

(Blank) **Not** available

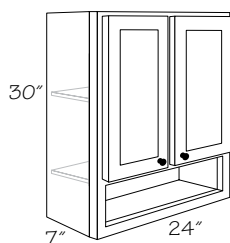
Material dimensions may vary slightly based on lumber industry standards.

Specifications subject to change without notice.

SST	Construction	-----	⑦
SDT	Construction	-----	⑦
PST	Construction	-----	⑦
PDT	Construction	-----	⑦
ADT	Construction	-----	⑦
CSO	Case Only	-----	⑩g

⑩a

VWB2430B



Vanity Wall Boutique - 7" Deep

⑩b

VWB2430 VWB2430B

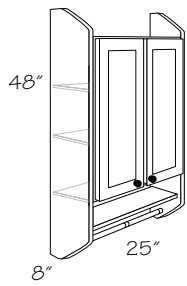
- One adjustable shelf
- Exposed full-depth fixed shelf in lower section
- No towel bar
- Matching color laminate interior and shelves
- Back panel has vertical grain (when applicable)
- 5" high frame opening in lower section
- Cabinet back panel extends through opening in lower section

- ❖ SST ⑦
- ❖ SDT ⑦
- PST ⑦
- PDT ⑦
- ADT ⑦
- CSO ⑩g

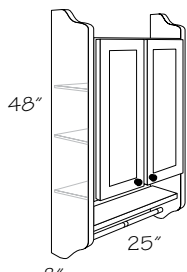
Vanity Wall Boutique - 8" Deep

⑩b

VWB2648



Laminate, Textured Laminate and painted door styles



Stained door styles

- Two adjustable shelves
- Unavailable in arch door styles
- Highlighted Finishes are applied to doors only. Side panels, exposed shelf and towel bar are **not** highlighted
- Cabinet includes:
 - 3/4" matching solid wood side panels
 - Matching exposed fixed shelf
 - Matching solid wood towel bar
- 6 7/8" high opening between fixed shelf and cabinet
- ☆ SDT, PST, and PDT construction, constructed the same as SST

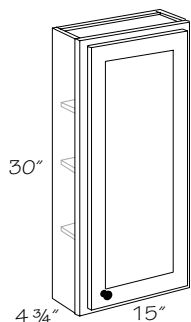
- ❖ SST ⑦
- ❖ SDT ⑦
- ☆ PST ⑦
- ☆ PDT ⑦
- ADT ⑦
- CSO ⑩g

Vanity Wall - 4 3/4" Deep

⑩a

⑩c

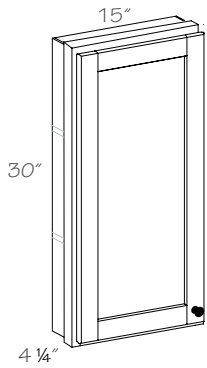
VW1530 R or L



- Specify R or L for single door hinging
- Three adjustable shelves
- Unavailable in arch door styles
- For surface mount installation

- ❖ SST ⑦
- ❖ SDT ⑦
- PST ⑦
- PDT ⑦
- ADT ⑦
- CSO ⑩g

Vanity Wall Recessed



10a
10c
VWR1530 R or L

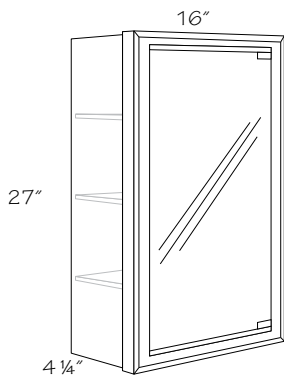
- Specify R or L for single door hinging
- Unavailable in arch door styles
- Designed for recess installation
- Two adjustable shelves
- Designed to fit between two wall studs, 16" on center when recessed
- Natural wood grain laminate interior and exterior

❖ SST ?
❖ SDT ?
● PST ?
● PDT ?
● ADT ?
● CSO 10b

Cutout dimensions for recessed installation

Item	Width	Height	Depth
VWR1530	13 1/2"	28 3/4"	3 1/2"

Medicine Cabinet



10a
MC1627

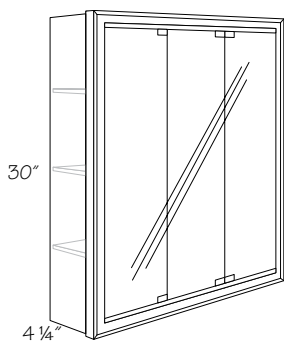
- For surface mount or recess installation
 - Door is 3/16" thick plate glass mirror with rounded edges with pivot hinges, magnetic touch latch and vinyl safety backer
 - Three adjustable 1/2" thick no-tilt shelves with clear shelf supports
 - Hinged right
 - Cabinet can be inverted; relocate magnetic latch
 - Natural wood grain laminate interior
 - Solid wood frame has profile on all four outside edges complementing Seneca Ridge, Spring Valley, Sutton Cliffs and Whitebay II door styles
 - Available in all finishes; highlights shipped standard finish
 - Mounting hardware included
 - Mirror door shipped unattached for easier handling and installation
- ☆ SDT, PST, and PDT construction, constructed the same as SST

❖ SST ?
☆ SDT ?
☆ PST ?
☆ PDT ?
● ADT ?
● CSO 10b

Cutout dimensions for recessed installation

Item	Width	Height	Depth
MC1627	14 1/2"	25 3/4"	3 1/2"

Tri-View Medicine Cabinet



10a
TVMC2430
TVMC3030
TVMC3630

- For surface mount or recess installation
 - Three adjustable 1/2" thick no-tilt shelves with clear shelf supports
 - Doors are 3/16" thick plate glass mirror with rounded edges, pivot hinges, magnetic touch latch and vinyl safety backer
 - Left and center doors hinged right, right door hinged left to create a three-way reflection
 - Vertical divider between center and left hand door in 30" and 36" cabinet
 - Natural wood grain laminate interior
 - Solid wood frame has profile on all four outside edges complementing Seneca Ridge, Spring Valley, Sutton Cliffs and Whitebay II door styles
 - Available in all finishes; highlights shipped standard finish
 - Mounting hardware included
 - Mirror door shipped unattached for easier handling and installation
- ☆ SDT, PST, and PDT construction, constructed the same as SST

❖ SST ?
☆ SDT ?
☆ PST ?
☆ PDT ?
● ADT ?
● CSO 10b

Cutout dimensions for recessed installation

Cabinet	Width	Height	Depth
TVMC2430	22 3/4"	28 3/4"	3 1/2"
TVMC3030	28 3/4"	28 3/4"	3 1/2"
TVMC3630	34 3/4"	28 3/4"	3 1/2"

Vanity Panels

Construction Options and Modifications

- ❖ Included as standard
- Available with an upcharge
- ☆ Available with exceptions

(Blank) **Not** available

Material dimensions may vary slightly based on lumber industry standards.

Specifications subject to change without notice.

CH	Cherry	②
HK	Hickory	②
MP	Maple	②
RO	Red Oak	②
LM	Laminate	②
TL	Textured Laminate	②
TH	Thermofoil	②

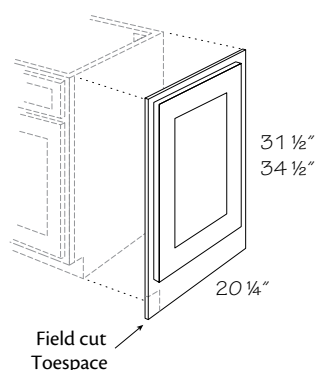
⑩a

MVEP2131

Matching Vanity End Panel

⑩a

MVEP2131
MVEP2135



- Provides a finished furniture look to vanity cabinet ends
- Includes end panel with decorative door
- For right or left hand use
- 5/32" thick veneered plywood panel, except for (LM, TH) which have a 3/16" thick laminate panel
- Full overlay door styles shipped unattached to panel. When installed, door overlaps cabinet frame edge to provide matching reveals
- Traditional overlay door styles shipped attached to panel
- Toe space notch is field cut

❖ CH	②
❖ HK	②
❖ MP	②
❖ RO	②
❖ LM	②
❖ TL	②
❖ TH	②

Vanity Fillers

Construction Options and Modifications

- ❖ Included as standard
- Available with an upcharge
- ☆ Available with exceptions

(Blank) **Not** available

Material dimensions may vary slightly based on lumber industry standards.

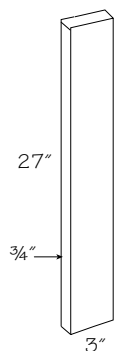
Specifications subject to change without notice.

Note: Textured Laminate will be stained or painted; Laminate and Thermofoil will be painted unless noted

CH	Cherry	②
HK	Hickory	②
MP	Maple	②
RO	Red Oak	②
LM	Laminate	②
TL	Textured Laminate	②
TH	Thermofoil	②

10a

VFF3



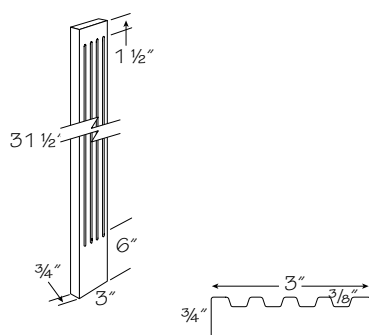
Vanity Filler

10a

VFF3

- 3/4" thick solid wood
- Backside of filler unfinished
- Available in all finishes; highlights shipped standard finish
- Overlays available for all full overlay door styles except Fusion; order separately

- ❖ CH ②
- ❖ HK ②
- ❖ MP ②
- ❖ RO ②
- ❖ LM ②
- ❖ TL ②
- ❖ TH ②



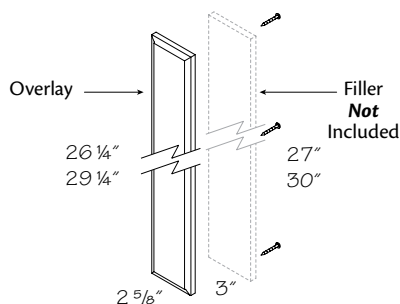
Vanity Fluted Filler

10a

VFF3

- Use between cabinets or to create a column effect. Can be combined with other moldings and panels for decorative effects
- Solid wood
- Four flutes
- Backside of filler unfinished
- Available in all finishes; painted highlights shipped standard finish

- ❖ CH ②
- ❖ HK ②
- ❖ MP ②
- ❖ RO ②
- ❖ LM ②
- ❖ TL ②
- ❖ TH ②



Filler Overlay

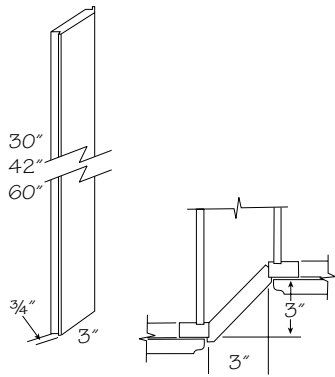
10a

OL3-27
OL3-30

- Attaches to 3" wide fillers; sold separately
- 3/4" thick with matching profile on all four edges, sized to match door height of adjacent cabinet
- Spacers installed on backside to align with doors of adjacent cabinet
- Mounting hardware included
- Available for all full overlay door styles, except Fusion
- Specify door style, specie and finish

- ❖ CH ②
- ❖ HK ②
- ❖ MP ②
- ❖ RO ②
- ❖ LM ②
- ❖ TL ②
- ❖ TH ②

Filler Angle



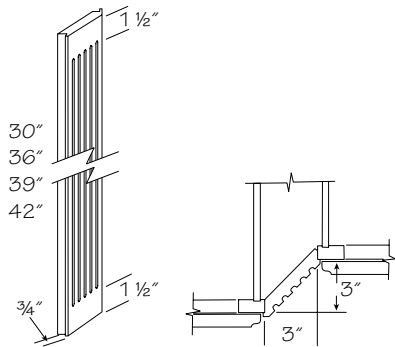
(10a)

FA3-30
FA3-42
FA3-60

- Fills 3" space between cabinets that are offset 3"
- 3/4" thick solid wood
- For right or left hand use
- Backside of filler unfinished
- Available in all finishes; highlights shipped standard finish

- ❖ CH (2)
- ❖ HK (2)
- ❖ MP (2)
- ❖ RO (2)
- ❖ LM (2)
- ❖ TL (2)
- ❖ TH (2)

Fluted Filler Angle



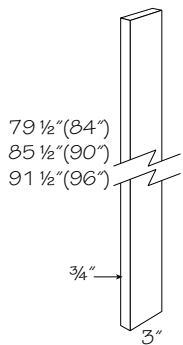
(10b)

FFA3-30
FFA3-36
FFA3-39
FFA3-42

- Fills 3" space between cabinets that are offset 3"
- Five flutes
- 3/4" thick solid wood
- For right or left hand use
- Backside of filler unfinished
- Available in all finishes; painted highlights shipped standard finish

- ❖ CH (2)
- ❖ HK (2)
- ❖ MP (2)
- ❖ RO (2)
- ❖ LM (2)
- ❖ TL (2)
- ❖ TH (2)

Tall Filler



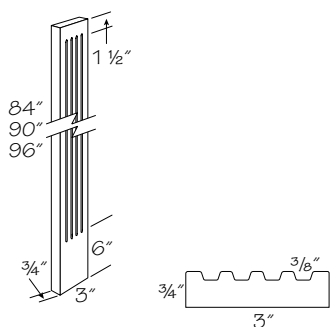
(10c)

TF3-84
TF3-90
TF3-96

- 3/4" thick solid wood
- Backside of filler unfinished
- Available in all finishes; highlights shipped standard finish

- ❖ CH (2)
- ❖ HK (2)
- ❖ MP (2)
- ❖ RO (2)
- ❖ LM (2)
- ❖ TL (2)
- ❖ TH (2)

Tall Fluted Filler



(10d)

TFF3-84
TFF3-90
TFF3-96

- Solid wood
- Four flutes
- Backside of filler unfinished
- Available in all finishes; painted highlights shipped standard finish

- ❖ CH (2)
- ❖ HK (2)
- ❖ MP (2)
- ❖ RO (2)
- ❖ LM (2)
- ❖ TL (2)
- ❖ TH (2)

Vanity Shelving

Construction Options and Modifications

- ❖ Included as standard
- Available with an upcharge
- ☆ Available with exceptions

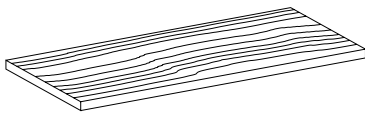
(Blank) **Not** available

Material dimensions may vary slightly based on lumber industry standards.

Specifications subject to change without notice.

10a

RVS1818



Vanity Replacement Shelves

10a

Vanity Wall - 4 3/4" Deep

Actual depth 3 3/32"

Finished both sides and one edge

RVS1505VW

Vanity Wall Recessed - 4 1/4" Deep

Actual depth 2 7/8"

Finished both sides and one edge

5/8" Thick engineered wood,

1/2" Thick plywood

RVS1504VWR

Medicine Cabinet - 4 1/4" Deep

Actual depth 2 7/8"

Finished both sides and one edge

5/8" Thick engineered wood, 1/2"

Thick plywood

RVS1627MC

Tri-View Medicine Cabinet - 4 1/4" Deep

Actual depth 2 7/8"

Finished both sides and one edge

1/2" Thick

RVS24/3630TVMC

RVS3030TVMC-LSIDE

RVS3030TVMC-RSIDE

RVS3630TVMC

Vanity Wall Boutique - 7" Deep

Actual depth 5 11/32"

Finished both sides and one edge

Matching interior - specify finish

RVS2407VWB

Vanity Linen Cabinet - VLC184818

Actual depth 16 11/32"

Finished both sides and one edge

RVS1818

Vanity Linen Cabinet - VLC1848

Actual depth 19 11/32"

Finished both sides and one edge

RVS1821

- Replacement shelves for all standard size cabinets
- 3/4" thick except where noted
- Moisture-and-stain resistant, easy to clean Natural Wood laminate and matching edgebanding on exposed surfaces
- Specify cabinet construction: ADT = plywood; PDT, PST, SDT and SST = engineered wood
- Includes one shelf
- **Note:** For reduced depth cabinets, field cut shelves to size. For increased depth cabinets, order the appropriate deeper shelf and field cut if necessary

Vanity Accessories

Construction Options and Modifications

- ❖ Included as standard
- Available with an upcharge
- ☆ Available with exceptions

(Blank) **Not** available

Material dimensions may vary slightly based on lumber industry standards.

Specifications subject to change without notice.

Note: Textured Laminate will be stained or painted; Laminate and Thermofoil will be painted unless noted

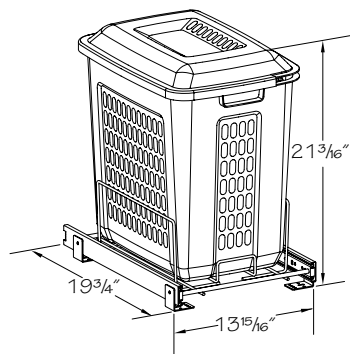
(10a)
TKCV8

CH	Cherry	②
HK	Hickory	②
MP	Maple	②
RO	Red Oak	②
LM	Laminate	②
TL	Textured Laminate	②
TH	Thermofoil	②

Vanity Hamper Roll-Out

(10a)

VHRO18



- Fits 31 1/2" or 34 1/2" high vanities with full-height doors 18" and wider
- White epoxy coated wire frame rolls on full-extension slides, designed for easy removal of basket
- Mounts to cabinet floor
- Load rating of 30 lbs.
- White plastic laundry basket with lid included
- Installation instructions and mounting hardware included
- Offered as individual kit

❖ CH	②
❖ HK	②
❖ MP	②
❖ RO	②
❖ LM	②
❖ TL	②
❖ TH	②

Toe Kick Cover - Laminate

(10a)

Laminate

1/8" Thick

■ **TKCL8**

■ **TKCL8-4**

Textured Laminate

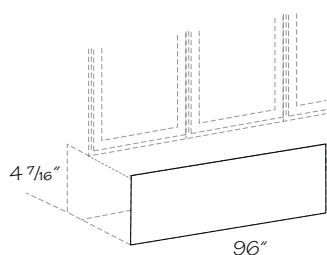
3/16" Thick

▲ **TKCL8-TL**

▲ **TKCL8-TL-4**

■ Available in specie TL; will match frame finish

▲ Available in specie TL only; will match door and drawer front laminate



- Matching easy clean laminate on one side, except for TKCL8-TL and TKCL8-TL-4, which are Textured Laminate (TL) on one side
- Grain direction runs lengthwise (when applicable)

❖ CH	②
❖ HK	②
❖ MP	②
❖ RO	②
❖ LM	②
❖ TL	②
❖ TH	②

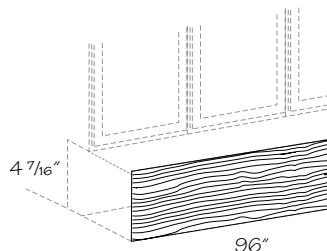
Toe Kick Cover - Veneer

(10a)

5/32" Thick

TKCV8

TKCV8-4



- Matching wood veneer plywood finished on one side, grain direction runs lengthwise
- Available in all finishes; highlights shipped standard finish
- Laminate and Textured Laminate may be stained or painted

❖ CH	②
❖ HK	②
❖ MP	②
❖ RO	②
❖ LM	②
❖ TL	②
❖ TH	②

Office Cabinets

Construction Options and Modifications

- ❖ Included as standard
- Available with an upcharge
- ☆ Available with exceptions

(Blank) **Not** available

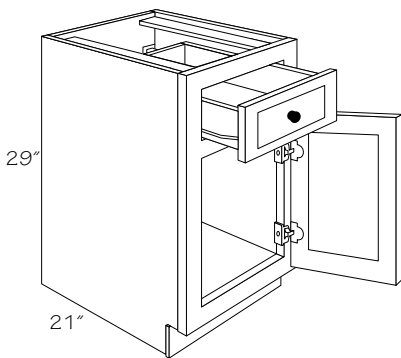
Material dimensions may vary slightly based on lumber industry standards.

Specifications subject to change without notice.

SST	Construction	⑦
SDT	Construction	⑦
PST	Construction	⑦
PDT	Construction	⑦
ADT	Construction	⑦
12	Depth Modification	⑩b
15	Depth Modification	⑩b
18	Depth Modification	⑩b
CFO	Cabinet Front Only	⑩g
CSO	Case Only	⑩g
VTK	Void Toe Kick	⑩g

⑩a

DKD3018



Desk Door

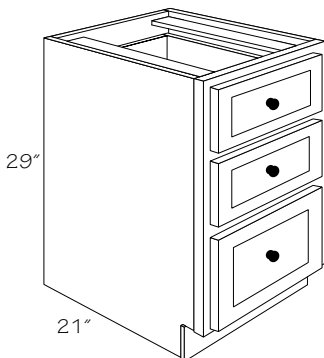
- ⑩a
- ⑩b
- DDO15 R or L
- DDO18 R or L
- DDO21 R or L
- DDO24 R or L

- Specify R or L for single door hinging
- No shelf
- Standard height top drawer
- **Note:** When depth is reduced to 12" or 15", drawers become false fronts



For easier access to interior, consider installing a vanity tray in the center position

- ❖ SST ⑦
- ❖ SDT ⑦
- PST ⑦
- PDT ⑦
- ADT ⑦
- 12 ⑩b
- 15 ⑩b
- 18 ⑩b
- CFO ⑩g
- CSO ⑩g
- VTK ⑩g



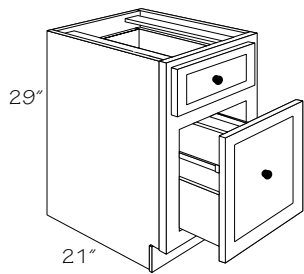
Desk Drawer

- ⑩a
- DDR12
- DDR15
- DDR18
- DDR21
- DDR24

- Two standard height top drawers on top
- One deep bottom drawer
- Designed to be used in conjunction with Desk Knee Drawer units

- ❖ SST ⑦
- ❖ SDT ⑦
- PST ⑦
- PDT ⑦
- ADT ⑦
- 12 ⑩b
- 15 ⑩b
- 18 ⑩b
- CFO ⑩g
- CSO ⑩g
- VTK ⑩g

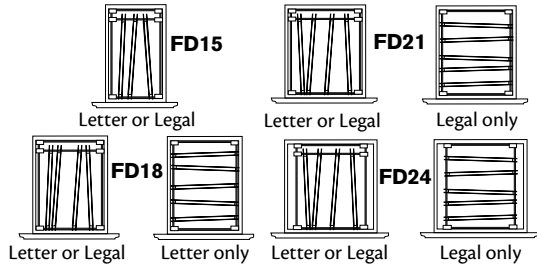
Desk File Drawer



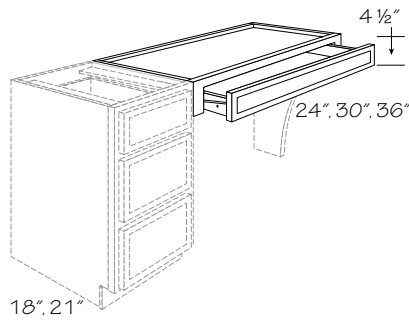
10a
DFD15
DFD18
DFD21
DFD24

- Standard height top drawer
- Bottom file drawer has full-extension slides and hanging folder hardware to accommodate letter or legal size folders
- Drawer front on bottom drawer is styled as a door
- DFD24 cabinet uses same hanging folder hardware as DFD21 cabinet
- Designed to be used in conjunction with Desk Knee Drawer units

- ◆ SST 7
- ◆ SDT 7
- PST 7
- PDT 7
- ADT 7
- 12 10a
- 15 10a
- 18 10a
- CFO 10a
- CSO 10a
- VTK 10a



Desk Knee Drawer

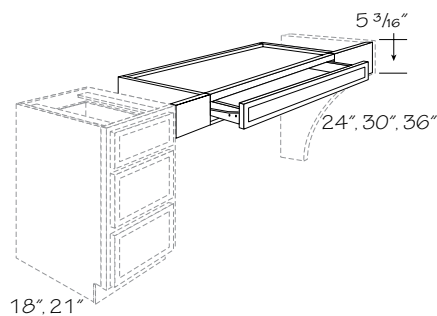


10a
 18" Deep
DKD2418
DKD3018
DKD3618
 21" Deep
DKD24
DKD30
DKD36

- Designed for use between base, vanity, tall cabinets or with desk leg on one end
- Full-width top panel is recessed for easier installation
- Drawer front is profiled on all edges
- Traditional overlay door styles; face frame stiles may be trimmed a max. 3/4" each allowing the DKD width to be reduced a maximum of 1 1/2"
- Full overlay door styles; face frame stiles are unable to be trimmed
- Drawer fronts are solid slab, except LaBelle and Ralston, which are same construction as standard fronts; except the stiles and rails are narrower (1 1/2" wide); LaBelle center panel is flat and recessed like standard fronts
- ☆ SDT, PST, and PDT construction, constructed the same as SST
- Requires countertop or writing surface

- ◆ SST 7
- ◆ SDT 7
- ☆ PST 7
- ☆ PDT 7
- ADT 7
- 12 10a
- 15 10a
- 18 10a
- CFO 10a
- CSO 10a
- VTK 10a

Desk Knee Drawer Trimmable



10a
 18" Deep
DKDT2418
DKDT3018
DKDT3618
 21" Deep
DKDT24
DKDT30
DKDT36

- Designed for use between base, vanity, tall cabinets or with desk leg on one end
- Full-width top panel is recessed for easier installation
- Drawer front is profiled on all edges
- 4 1/2" wide face frame stiles permit DKDT to be trimmed up to 6" in overall width (3" each side)
- Face frame includes 11/16" tall bottom rail for added strength
- Drawer fronts are solid slab, except LaBelle and Ralston, which are same construction as standard fronts; except the stiles and rails are narrower (1 1/2" wide); LaBelle center panel is flat and recessed like standard fronts
- ☆ SDT, PST, and PDT construction, constructed the same as SST
- Requires countertop or writing surface

- ◆ SST 7
- ◆ SDT 7
- ☆ PST 7
- ☆ PDT 7
- ADT 7
- 12 10a
- 15 10a
- 18 10a
- CFO 10a
- CSO 10a
- VTK 10a

Office Panels

Construction Options and Modifications

- ❖ Included as standard
- Available with an upcharge
- ☆ Available with exceptions

(Blank) **Not** available

Material dimensions may vary slightly based on lumber industry standards.

Specifications subject to change without notice.

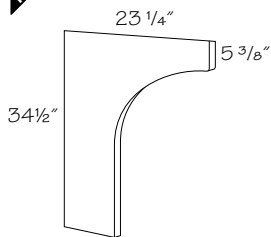
Note: Textured Laminate will be stained or painted; Laminate and Thermofoil will be painted unless noted

CH	Cherry	②
HK	Hickory	②
MP	Maple	②
RO	Red Oak	②
LM	Laminate	②
TL	Textured Laminate	②
TH	Thermofoil	②

⑩a

MDEP

New



Desk End Panel Contoured

⑩a

DEPC2434

Grey color coding indicates new product, size or code.

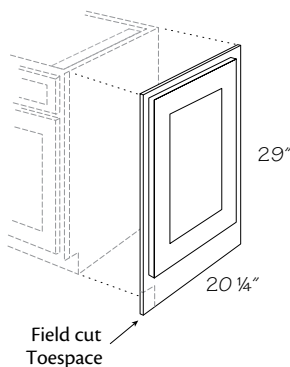
- Used to support end of Desk Knee Drawer or Desk Knee Drawer Trimmable; fits behind extended frame stile
- 3/4" thick engineered wood core with vertical grain veneer on both sides
- Front edges are banded
- Field cut to correct height and depth where applicable
- 3/4" thick engineered wood core (SST) with vertical grain veneer on both sides and front edge except (TH)
- (TH) 3/4" thick engineered wood core (SST) with paper laminate on both sides and melamine banding on fronedget
- 3/4" thick plywood core (ADT) with vertical grain veneer on both sides and front edge
- SDT, PST, and PDT construction, constructed the same as SST
- Available in all finishes; highlights shipped standard finish
- Textured Laminate will be stained or painted; Laminate and Thermofoil will be painted

- ❖ CH ②
- ❖ HK ②
- ❖ MP ②
- ❖ RO ②
- ❖ LM ②
- ❖ TL ②
- ❖ TH ②

Matching Desk End Panel

⑩a

MDEP



- Provides a finished furniture look to Desk Drawer and Desk File Drawer cabinet ends
- Includes end panel with decorative door
- For right or left hand use
- 5/32" thick veneered plywood panel, except for (LM, TH) which have a 3/16" thick laminate panel
- Traditional overlay door styles; door measures 19 1/4" wide and 22 1/2" tall shipped attached to panel
- Full overlay door styles; door measures 20 5/8" wide and 23 3/4" tall shipped unattached to panel. When installed, door overlaps cabinet frame edge to provide matching reveals
- Toe space notch is field cut

- ❖ CH ②
- ❖ HK ②
- ❖ MP ②
- ❖ RO ②
- ❖ LM ②
- ❖ TL ②
- ❖ TH ②

Office Cabinet Accessories

Construction Options and Modifications

- ❖ Included as standard
- Available with an upcharge
- ☆ Available with exceptions

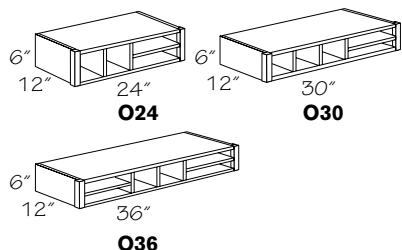
(Blank) **Not** available

Material dimensions may vary slightly based on lumber industry standards.

Specifications subject to change without notice.

Note: Textured Laminate will be stained or painted; Laminate and Thermofoil will be painted unless noted

CH	Cherry	②
HK	Hickory	②
MP	Maple	②
RO	Red Oak	②
LM	Laminate	②
TL	Textured Laminate	②
TH	Thermofoil	②

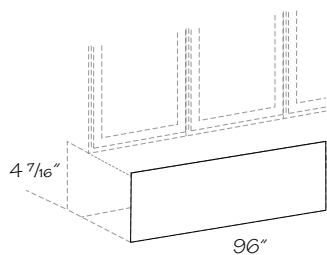


Organizer

⑩a
O24
O30
O36

- For use beneath wall cabinets or open shelves
- Matching wood veneer interior and exterior surfaces
- Use a Wall End Panel on exposed sides to cover end panel joints between wall cabinet and organizer
- Includes a matching solid wood strip at each end to align with wall cabinet frame above when stacked
- Available in all finishes; highlights shipped standard finish

- ❖ CH ②
- ❖ HK ②
- ❖ MP ②
- ❖ RO ②
- ❖ LM ②
- ❖ TL ②
- ❖ TH ②



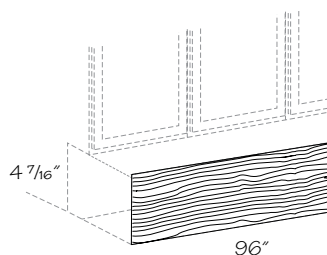
Toe Kick Cover - Laminate

⑩a
 Laminate
 1/8" Thick
 ■ **TKCL8**
 ■ **TKCL8-4**
 Textured Laminate 3/16" Thick
 ▲ **TKCL8-TL**
 ▲ **TKCL8-TL-4**

- Available in specie TL; will match frame finish
- ▲ Available in specie TL only; will match door and drawer front laminate

- Matching easy clean laminate on one side, except for TKCL8-TL and TKCL8-TL-4, which are Textured Laminate (TL) on one side
- Grain direction runs lengthwise (when applicable)

- ❖ CH ②
- ❖ HK ②
- ❖ MP ②
- ❖ RO ②
- ❖ LM ②
- ❖ TL ②
- ❖ TH ②



Toe Kick Cover - Veneer

⑩a
 5/32" Thick
TKCV8
TKCV8-4

- Matching wood veneer plywood finished on one side, grain direction runs lengthwise
- Available in all finishes; highlights shipped standard finish

- ❖ CH ②
- ❖ HK ②
- ❖ MP ②
- ❖ RO ②
- ❖ LM ②
- ❖ TL ②
- ❖ TH ②

Universal Access Cabinets

Construction Options and Modifications

- ❖ Included as standard
- Available with an upcharge
- ☆ Available with exceptions

(Blank) **Not** available

We manufacture cabinets that are readily used in floor plans that meet current ADA Accessibility Guidelines for Building and Facilities (ADAAG) guidelines. The primary responsibility to make a space comply with these guidelines is on the architect or space planner.

Our products can be used to help satisfy the storage needs and accessibility requirements of disabled persons but depends on the knowledge, skill and creativity of the design professional and proper installation of these products. ADA Accessibility Guidelines for buildings and facilities can be visited online at: www.access-board.gov

Cabinets with a "B" suffix have BUTT doors without a center stile

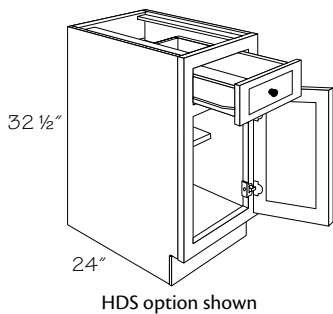
Material dimensions may vary slightly based on lumber industry standards.

Specifications subject to change without notice.

SST	Construction	⑦
SDT	Construction	⑦
PST	Construction	⑦
PDT	Construction	⑦
ADT	Construction	⑦
12	Depth Modification	⑩b
15	Depth Modification	⑩b
18	Depth Modification	⑩b
21	Depth Modification	⑩b
HDS	Half Depth Shelf	⑩c
FDS	Full Depth Shelf	⑩c
ST	Standard Trays	⑩c
WT	Wood Trays	⑩c
FT	Standard Full-Width Trays	⑩c
WF	Wood Full-Width Trays	⑩c
DT	Deluxe Trays	⑩c
DF	Deluxe Full-Width Trays	⑩c
CFO	Cabinet Front Only	⑩g
CSO	Case Only	⑩g
VTK	Void Toe Kick	⑩g

⑩a ⑩c

UB24 HDS

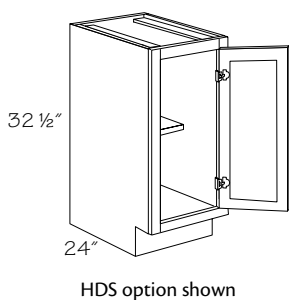


Universal Base Single Door

⑩a	⑩c	⑩c
UB12	R or L	HDS
UB15	R or L	HDS
UB18	R or L	HDS
UB21	R or L	HDS
UB24	R or L	HDS

- Specify R or L for single door hinging
- Back panel is pre-drilled for optional accessory Tray Kits
- ☆ Tray options are available for cabinets with select depth modifications. See Construction Options for specifics
- **Note:** For tray or shelf options for select cabinets, replace HDS with the option code of your choice
- **Note:** When depth is reduced to 12" or 15", drawers become false fronts

❖ SST ⑦	● FDS ⑩c
❖ SDT ⑦	☆ ST ⑩c
● PST ⑦	☆ WT ⑩c
● PDT ⑦	FT ⑩c
● ADT ⑦	WF ⑩c
● 12 ⑩b	☆ DT ⑩c
● 15 ⑩b	DF ⑩c
● 18 ⑩b	● CFO ⑩g
● 21 ⑩b	● CSO ⑩g
❖ HDS ⑩c	● VTK ⑩g



Universal Base Single Door - Full-Height

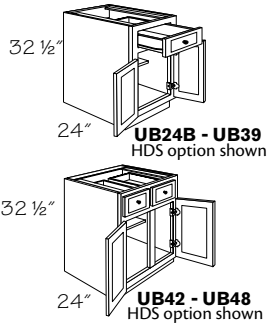
⑩a	⑩c	⑩c
■ UB9FH	R or L	
UB12FH	R or L	HDS
UB15FH	R or L	HDS
UB18FH	R or L	HDS
UB24FH	R or L	HDS

■ Unavailable with tray or shelf options

- Specify R or L for single door hinging
- Back panel is pre-drilled for optional accessory Tray Kits
- ☆ Tray options are available for cabinets with select depth modifications. See Construction Options for specifics
- **Note:** For tray or shelf options for select cabinets, replace HDS with the option code of your choice

❖ SST ⑦	☆ FDS ⑩c
❖ SDT ⑦	☆ ST ⑩c
● PST ⑦	☆ WT ⑩c
● PDT ⑦	FT ⑩c
● ADT ⑦	WF ⑩c
● 12 ⑩b	☆ DT ⑩c
● 15 ⑩b	DF ⑩c
● 18 ⑩b	● CFO ⑩g
● 21 ⑩b	● CSO ⑩g
❖ HDS ⑩c	● VTK ⑩g

Universal Base Double Door



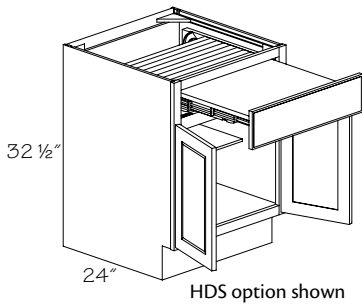
- | | | | |
|--------------|------------|--|--|
| (10a) | (10c) | | |
| One drawer | | | |
| UB24B | HDS | | |
| UB27B | HDS | | |
| UB30B | HDS | | |
| UB33B | HDS | | |
| UB36B | HDS | | |
| UB39 | HDS | | |
| Two drawers | | | |
| UB42 | HDS | | |
| UB45 | HDS | | |
| UB48 | HDS | | |

Grey color coding indicates new product, size or code.

- Back panel is pre-drilled for optional accessory Tray Kits
- ☆ Tray options are available for cabinets with select depth modifications. See Construction Options for specifics
- **Note:** For tray or shelf options for select cabinets, replace HDS with the option code of your choice
- **Note:** When depth is reduced to 12" or 15", drawers become false fronts
- 42" to 48" wide cabinets have a full-width support cross rail across top back of cabinet

- | | |
|-------------|-------------|
| ❖ SST (7) | ● FDS (10c) |
| ❖ SDT (7) | ☆ ST (10c) |
| ● PST (7) | ☆ WT (10c) |
| ● PDT (7) | ☆ FT (10c) |
| ● ADT (7) | ☆ WF (10c) |
| ● 12 (10c) | ☆ DT (10c) |
| ● 15 (10c) | ☆ DF (10c) |
| ● 18 (10c) | ● CFO (10c) |
| ● 21 (10c) | ● CSO (10c) |
| ❖ HDS (10c) | ● VTK (10c) |

Universal Base Table Butt Door

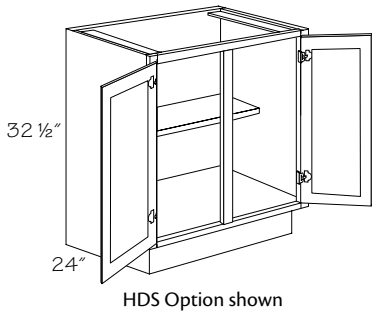


- | | | | |
|---------------|------------|--|--|
| (10a) | (10c) | | |
| UBT24B | HDS | | |

- Back panel is pre-drilled for optional accessory Tray Kits
- Top drawer is replaced with full-width 20 1/4" wide, solid wood, pull-out tambour table with natural lacquer finish
- Pull-out table extends 30" from front of cabinet on telescoping hardwood slides
- Attach drawer front to pullout table in field. Hardware and instructions included
- **Cannot** be used as a chopping block
- **Note:** For tray or shelf options for select cabinets, replace HDS with the option code of your choice

- | | |
|-------------|-------------|
| ❖ SST (7) | ● FDS (10c) |
| ❖ SDT (7) | ☆ ST (10c) |
| ● PST (7) | ☆ WT (10c) |
| ● PDT (7) | ● FT (10c) |
| ● ADT (7) | ● WF (10c) |
| 12 (10c) | DT (10c) |
| 15 (10c) | DF (10c) |
| 18 (10c) | CFO (10c) |
| 21 (10c) | CSO (10c) |
| ❖ HDS (10c) | ● VTK (10c) |

Universal Base Double Door - Full-Height

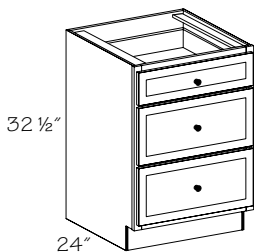


- | | | | |
|----------------|------------|--|--|
| (10a) | (10c) | | |
| UB24BFH | HDS | | |
| UB27BFH | HDS | | |
| UB30BFH | HDS | | |
| UB33BFH | HDS | | |
| UB36BFH | HDS | | |
| UB39FH | HDS | | |
| UB42FH | HDS | | |
| UB48FH | HDS | | |

- Full-height doors
- Back is pre-drilled for optional shelves and Tray Kits
- ☆ Tray options are available for cabinets with select depth modifications. See Construction Options for specifics
- **Note:** For tray or shelf options for select cabinets, replace HDS with the option code of your choice
- 42" wide and wider cabinets have a full-width support cross rail across top back of cabinet

- | | |
|-------------|-------------|
| ❖ SST (7) | ● FDS (10c) |
| ❖ SDT (7) | ☆ ST (10c) |
| ● PST (7) | ☆ WT (10c) |
| ● PDT (7) | ☆ FT (10c) |
| ● ADT (7) | ☆ WF (10c) |
| ● 12 (10c) | ☆ DT (10c) |
| ● 15 (10c) | ☆ DF (10c) |
| ● 18 (10c) | ● CFO (10c) |
| ● 21 (10c) | ● CSO (10c) |
| ❖ HDS (10c) | ● VTK (10c) |

Universal Base Three Drawer

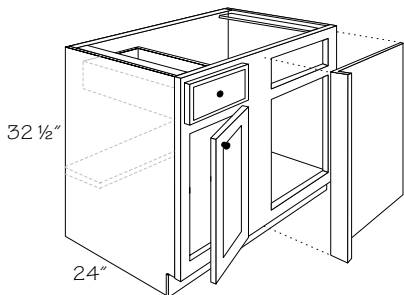


- | | |
|-----------------|--|
| (10a) | |
| UBD12-3D | |
| UBD15-3D | |
| UBD18-3D | |
| UBD21-3D | |
| UBD24-3D | |

- One standard height drawer on top
- Two deep drawers on bottom

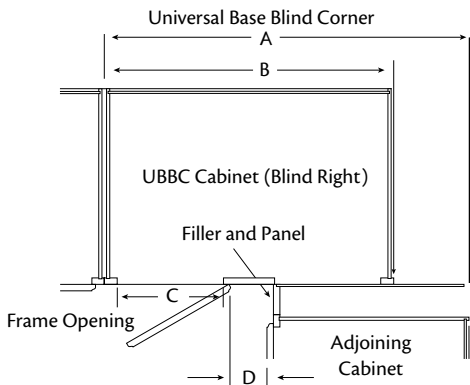
- | | |
|-----------|-------------|
| ❖ SST (7) | ● FDS (10c) |
| ❖ SDT (7) | ☆ ST (10c) |
| ● PST (7) | ☆ WT (10c) |
| ● PDT (7) | ☆ FT (10c) |
| ● ADT (7) | ☆ WF (10c) |
| 12 (10c) | DT (10c) |
| 15 (10c) | DF (10c) |
| 18 (10c) | ● CFO (10c) |
| 21 (10c) | ● CSO (10c) |
| HDS (10c) | ● VTK (10c) |

Universal Base Blind Corner Cabinet Information



Universal Base Blind Corner Cabinet
Blind Right (BR) shown

- Base blind corner cabinets provide access to corner space and permit adjusting up to 2 7/8" max. to aid in kitchen layout. Consult chart for pull dimensions and min. wall space requirements
- Pulling the cabinet away from the corner (adding up to 2 7/8" max. to the void area), and using the supplied filler and panel, provides clearance for opening doors and drawers when hardware is used
- BR or BL indicates blind end of cabinet. Please specify.
- Door hinged on same side as blind
- Order blind side left or right; unable to convert in field
- Pull Full overlay products the max. 2 7/8" for proper hardware clearance for drawer and Roll-Out Tray of adjoining cabinet
- **Note:** A blind panel with 3" filler is included with each UBBC cabinet; shipped unattached

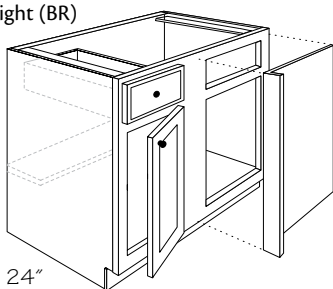


Base Blind Corner	(A) Wall Space		(B) Cabinet Width	(C) Frame Opening		(D) Door Hardware Clearance	
	No Pull	Max Pull		Drawer Opening	Door Opening	No Pull	Max Pull
	UBBC36/39	36"		38 7/8"	24"	5"h x 7 1/2"w	7 1/2"w x 20 1/2"h
UBBC39/42	39"	41 7/8"	30"	5"h x 10 1/2"w	10 1/2"w x 20 1/2"h	1 1/2"	4 3/8"
UBBC42/45	42"	44 7/8"	36"	5"h x 13 1/2"w	13 1/2"w x 20 1/2"h	1 1/2"	4 3/8"
Full Overlay							
UBBC36/39	36"	38 7/8"	24"	5"h x 7 1/2"w	7 1/2"w x 20 1/2"h	13/16"	3 11/16"
UBBC39/42	39"	41 7/8"	30"	5"h x 10 1/2"w	10 1/2"w x 20 1/2"h	13/16"	3 11/16"
UBBC42/45	42"	44 7/8"	36"	5"h x 13 1/2"w	13 1/2"w x 20 1/2"h	13/16"	3 11/16"

New

Blind Right (BR) shown

32 1/2"



24"

Universal Base Blind Corner

UBBC36/39 BR or BL
UBBC39/42 BR or BL
UBBC42/45 BR or BL

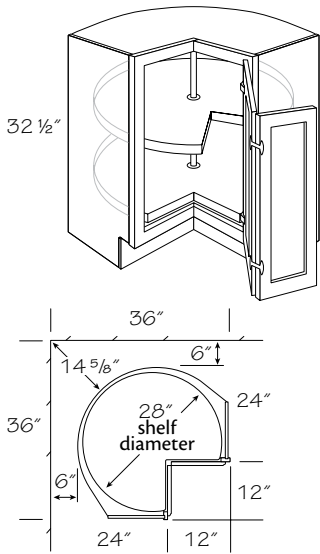
Grey color coding indicates new product, size or code.

- Specify BR or BL; BR or BL indicates blind
- Standard height top drawer
- Door hinged to center stile
- Tray options are available for cabinets with select depth modifications. See Construction Options for specifics
- Blind Panel with 3" filler included, shipped unattached
- Back panel is pre-drilled for optional accessory Tray Kits
- Cabinet is unable to be pulled more than 2 7/8". This is **not** the space from the wall to the cabinet. This varies depending on cabinet size
- Overlays available for all full overlay door styles except Fusion; order separately
- **Note:** For tray or shelf options for select cabinets, replace HDS with the option code of your choice
- **Note:** When depth is reduced to 12" or 15", drawers become false fronts

- ◆ **SST** (7)
- ◆ **SDT** (7)
- **PST** (7)
- **PDT** (7)
- **ADT** (7)
- **12** (10b)
- **18** (10b)
- **21** (10b)
- ◆ **HDS** (10g)
- **FDS** (10c)
- **ST** (10c)
- **WT** (10c)
- **FT** (10c)
- **WF** (10c)
- **DF** (10c)
- **DT** (10c)
- **CFO** (10g)
- **CSO** (10g)
- **VTK** (10g)

Universal Base Corner Revolving

UBCR36 R or L



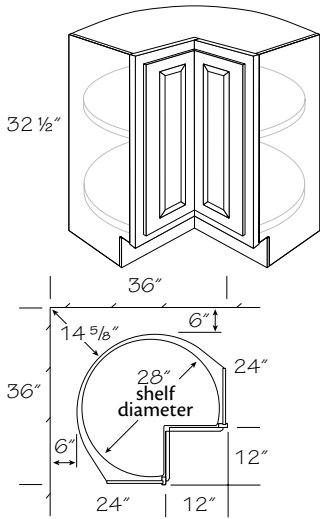
- Specify R or L for door hinging
- Two 28" diameter high impact, pie-cut revolving white plastic shelves
- Shelves rotate independently of doors and each other
- Shelf load rating of 15 lbs. per square foot, unable to exceed 50 lbs.
- Shelf height unable to be adjusted
- Two piece bi-fold door with independent adjustment
- Use Base End Panel Filler (BEPF3-34) if end is exposed (requires 3" of space)
- 168° opening hinges on face frame door
- Full overlay door style face frame stiles are notched to accept door hinges. Door hinging is unable to be inverted in field
- SoftAction hinges are unavailable
- **Note:** Back panel (barrel) will **not** be plywood when ADT is ordered

- ◆ SST (7) FDS (10c)
- ◆ SDT (7) ST (10c)
- PST (7) WT (10c)
- PDT (7) FT (10c)
- ADT (7) WF (10c)
- 12 (10b) DT (10c)
- 15 (10b) DF (10c)
- 18 (10b) ● CFO (10c)
- 21 (10b) ● CSO (10c)
- HDS (10c) VTK (10c)

If corner cabinet adjacent to an object is deeper than the end panel, the door of the corner cabinet may not function properly

Universal Base Lazy Susan

UBLS36



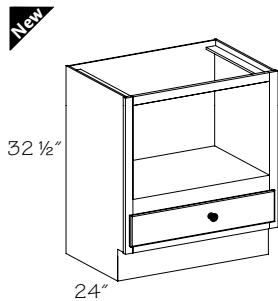
- Two 28" diameter high impact, pie-cut revolving white plastic shelves
- Shelf load rating of 15 lbs. per square foot, unable to exceed 50 lbs.
- Doors revolve with shelves
- Shelf height unable to be adjusted
- Available in traditional overlay door styles only
- Use Base End Panel Filler (BEPF3-34) if end is exposed (requires 3" of space)
- **Note:** Back panel (barrel) will **not** be plywood when ADT is ordered

- ◆ SST (7) FDS (10c)
- ◆ SDT (7) ST (10c)
- PST (7) WT (10c)
- PDT (7) FT (10c)
- ADT (7) WF (10c)
- 12 (10b) DT (10c)
- 15 (10b) DF (10c)
- 18 (10b) CFO (10c)
- 21 (10b) ● CSO (10c)
- HDS (10c) VTK (10c)

Universal Base Microwave Cabinet

UBMC30

Grey color coding indicates new product, size or code.



- Matching interior is standard
- 1/2" thick fixed shelf
- Shelf top surface is 3/16" below face frame rail top edge
- Standard height drawer
- Designed for countertop style microwaves

- ◆ SST (7) FDS (10c)
- ◆ SDT (7) ST (10c)
- PST (7) WT (10c)
- PDT (7) FT (10c)
- ADT (7) WF (10c)
- 12 (10b) DT (10c)
- 15 (10b) DF (10c)
- 18 (10b) ● CFO (10c)
- 21 (10b) ● CSO (10c)
- HDS (10c) ● VTK (10c)

Opening Sizes			
Cabinet	Width	Height	Depth
UBMC30	27"	16 1/4"	23 15/32"

Universal Base Sink Cabinets

Construction Options and Modifications

- ❖ Included as standard
 - Available with an upcharge
 - ☆ Available with exceptions
- (Blank) **Not** available

Cabinets with a "B" suffix have BUTT doors without a center stile

Material dimensions may vary slightly based on lumber industry standards.

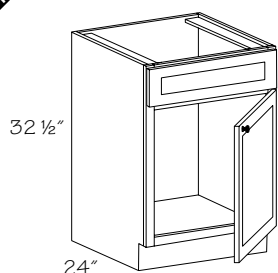
Specifications subject to change without notice.

SST	Construction	⑦
SDT	Construction	⑦
PST	Construction	⑦
PDT	Construction	⑦
ADT	Construction	⑦
12	Depth Modification	⑩b
15	Depth Modification	⑩b
18	Depth Modification	⑩b
21	Depth Modification	⑩b
CFO	Cabinet Front Only	⑩g
CSO	Case Only	⑩g
VTK	Void Toe Kick	⑩g

⑩a

UFSB3021B

New



Universal Sink Base Single Door

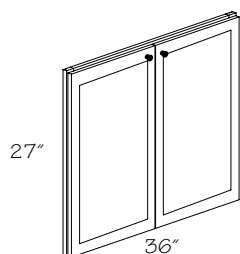
⑩a ⑩c

USB24 R or L

Grey color coding indicates new product, size or code.

- Specify R or L for single door hinging
- No shelf
- One full-width false drawer front
- Back panel is pre-drilled for optional accessory Tray Kits

- ❖ SST ⑦
- ❖ SDT ⑦
- PST ⑦
- PDT ⑦
- ADT ⑦
- 12 ⑩b
- 15 ⑩b
- 18 ⑩b
- 21 ⑩b
- CFO ⑩g
- CSO ⑩g
- VTK ⑩g



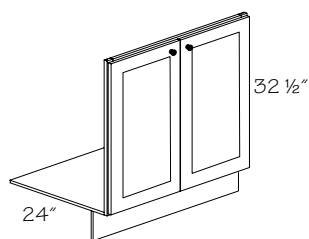
Universal Base Sink Front - Full-Height

⑩a

UBSF36BFH

- Includes front frame and appropriate doors only
- No toe kick
- ☆ Regardless of construction option, model is constructed the same

- ☆ SST ⑦
- ☆ SDT ⑦
- ☆ PST ⑦
- ☆ PDT ⑦
- ☆ ADT ⑦
- 12 ⑩b
- 15 ⑩b
- 18 ⑩b
- 21 ⑩b
- CFO ⑩g
- CSO ⑩g
- VTK ⑩g



Universal Base Sink Front Cabinet Kit - Full-Height

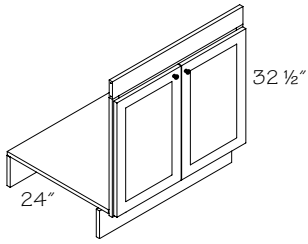
⑩a

**USFCK30BFH
USFCK33BFH
USFCK36BFH
USFCK42FH**

- 3/8" thick engineered wood bottom panel with easy clean laminate on one side; back side unfinished
- 1/2" thick engineered wood toeboard
- Toe Kick Backer assembly included; shipped unattached
- Includes floor
- ☆ Regardless of construction option, model is constructed the same

- ☆ SST ⑦
- ☆ SDT ⑦
- ☆ PST ⑦
- ☆ PDT ⑦
- ☆ ADT ⑦
- 12 ⑩b
- 15 ⑩b
- 18 ⑩b
- 21 ⑩b
- CFO ⑩g
- CSO ⑩g
- VTK ⑩g

Universal Removable Sink Front Double Doors



(10a)
URSF30B
URSF33B
URSF36B
URSF42

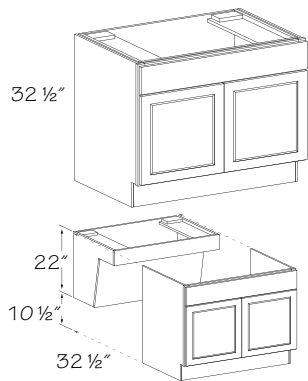
- Designed for easy field conversion from a standard sink base functionality to access open space
- Permanently installed countertop support rail is 3 1/2" high x 3/4" thick solid wood
- Doors and frame are shipped pre-assembled
- 3/4" thick removable plywood bottom panel with support hardware / leveling legs and a removable clipped-on toeboard provided
- Matching solid wood baseboard provided for bottom panel support along the kitchen wall
- Frame, doors, floor bottom and toe board can be flat packed for easy storage in a min. amount of space
- Frame attached to bottom panel using quick connect (cam-locks) fasteners providing a solid tight joint
- Some field assembly required; instructions and hardware included
- A Universal Access Panel can be purchased separately to conceal/protect the water and drain lines
- ☆ Regardless of construction option, model is constructed the same

- ☆ **SST** (?)
- ☆ **SDT** (?)
- ☆ **PST** (?)
- ☆ **PDT** (?)
- ☆ **ADT** (?)

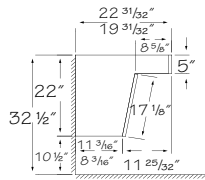


Complete flooring under Universal Access Removable Sink Front (URSF) to prepare for the future when sink front and plywood bottom is removed

Universal Floating Sink Base



(10b)
 21" Deep
UFSB3021B
UFSB3321B
UFSB3621B
 24" Deep
UFSB3024B
UFSB3324B
UFSB3624B



- One full-width false drawer front
- Back of cabinet is open to allow for installation of the floating plumbing unit
- Floating plumbing unit, shipped inside the cabinet, to be removed and installed prior to cabinet installation
- Floating plumbing unit finished to match cabinet exterior finish
- ☆ Cabinet components other than the frame are constructed of plywood
- ☆ Regardless of construction option, model is constructed the same

- ☆ **SST** (?)
- ☆ **SDT** (?)
- ☆ **PST** (?)
- ☆ **PDT** (?)
- ☆ **ADT** (?)



Warning: Floating plumbing unit must be securely attached to a wall stud

Universal Access Accessories

Construction Options and Modifications

- ❖ Included as standard
- Available with an upcharge
- ☆ Available with exceptions

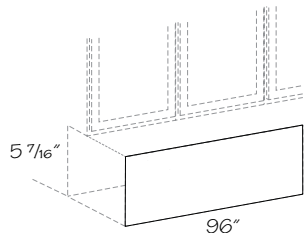
(Blank) **Not** available

Material dimensions may vary slightly based on lumber industry standards.

Specifications subject to change without notice.

Note: Textured Laminate will be stained or painted; Laminate and Thermofoil will be painted unless noted

CH	Cherry	②
HK	Hickory	②
MP	Maple	②
RO	Red Oak	②
LM	Laminate	②
TL	Textured Laminate	②
TH	Thermofoil	②



Universal Base Toe Kick Cover - Laminate

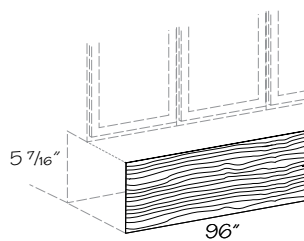
⑩a

- Laminate
- 1/8" Thick
- **TKCUL8**
- **TKCUL8-4**
- Textured Laminate
- 3/16" Thick
- ▲ **TKCUL8-TL**
- ▲ **TKCUL8-TL-4**

- Available in specie TL; will match frame finish
- ▲ Available in specie TL only; will match door and drawer front laminate

- Matching easy clean laminate on one side, except for TKCUL8-TL and TKCUL8-TL-4, which are (TL) on one side
- Grain direction runs lengthwise (when applicable)

- ❖ CH ②
- ❖ HK ②
- ❖ MP ②
- ❖ RO ②
- ❖ LM ②
- ❖ TL ②
- ❖ TH ②



Universal Base Toe Kick Cover - Veneer

⑩a

- 5/32" Thick
- TKCUV8**
- TKCUV8-4**

- Matching wood veneer plywood finished on one side, grain direction runs lengthwise
- Available in all finishes; highlights shipped standard finish

- ❖ CH ②
- ❖ HK ②
- ❖ MP ②
- ❖ RO ②
- ❖ LM ②
- ❖ TL ②
- ❖ TH ②

Notes

Panels

Construction Options and Modifications

- ❖ Included as standard
- Available with an upcharge
- ☆ Available with exceptions

(Blank) **Not** available

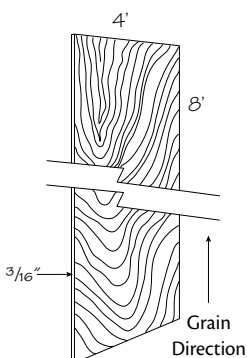
Note: Textured Laminates will be stained or painted to match frame finish; Laminates and Thermofoils will be painted unless noted

CH	Cherry	②
HK	Hickory	②
MP	Maple	②
RO	Red Oak	②
LM	Laminate	②
TL	Textured Laminates	②
TH	Thermofoil	②

⑩a
PB4896P

Panel Backer-Paper

⑩a



- Paper*
- ❖ **PB4896P**
 - ❖ **PB4896P-2**
- Textured Laminates*
- ▲ **PB4896P-TL**
 - ▲ **PB4896P-TL-2**

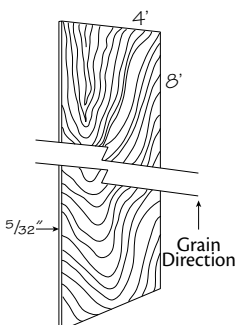
- ❖ Unavailable in specie TL
- ▲ Available in specie TL only; will match door and drawer front laminate

- Use to cover exposed backs of Base and Tall cabinets in peninsula or island configurations
- Medium Density Fiberboard (MDF) panel with easy clean laminate on front side and unfinished backside, except for (TL), which are Textured Laminates (TL) on one side
- Available in all finishes; highlights shipped standard finish

❖	CH	②
❖	HK	②
❖	MP	②
❖	RO	②
❖	LM	②
❖	TL	②
❖	TH	②

Panel Backer-Veneer

⑩a

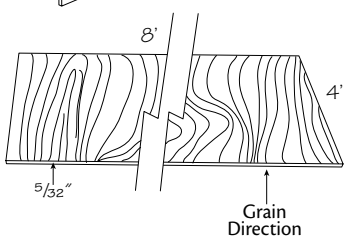


- 4' x 8'
- **PB4896**
 - **PB4896-2**
- 8' x 4'
- **PB9648**
 - **PB9648-2**

- Unavailable in Laminate, Textured Laminates, or painted finishes

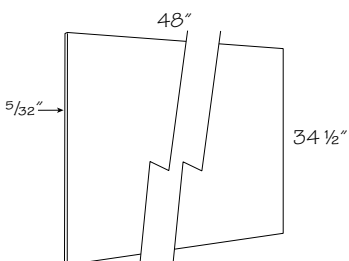
- Use to cover exposed backs of Base and Tall cabinets in peninsula or island configurations
- Veneered plywood panel finished on one side
- Available in all finishes; highlights shipped standard finish

❖	CH	②
❖	HK	②
❖	MP	②
❖	RO	②
❖	LM	②
❖	TL	②
❖	TH	②



Panel Backer 3' Tall-Paper

⑩a



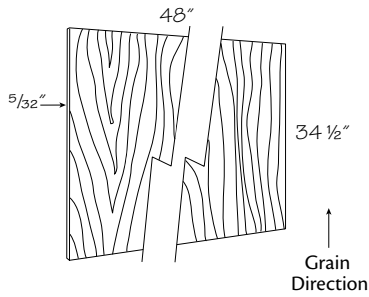
- Paper*
- ❖ **PB4834P**
 - ❖ **PB4834P-4**
- Textured Laminates*
- ▲ **PB4834P-TL**
 - ▲ **PB4834P-TL-4**

- ❖ Unavailable in specie TL
- ▲ Available in specie TL only; will match door and drawer front laminate

- Use to cover exposed backs of Base cabinets in peninsula or island configurations
- Medium Density Fiberboard (MDF) panel with easy clean laminate on front side and unfinished backside, except for (TL), which are Textured Laminates (TL) on one side
- Available in all painted finishes; highlights shipped standard finish

❖	CH	②
❖	HK	②
❖	MP	②
❖	RO	②
❖	LM	②
❖	TL	②
❖	TH	②

Panel Backer 3' Tall-Veneer

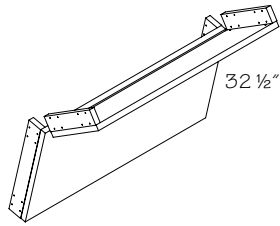


(10a)
PB4834
PB4834-4

- Use to cover exposed backs of Base cabinets in peninsula or island configurations
- Veneered plywood panel finished on one side
- Available in all finishes; highlights shipped standard finish

- ❖ CH (2)
- ❖ HK (2)
- ❖ MP (2)
- ❖ RO (2)
- ❖ LM (2)
- ❖ TL (2)
- TH (2)

Universal Access Panel

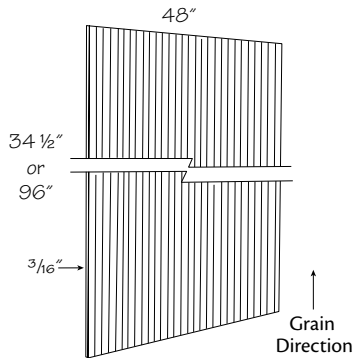


(10a)
UAP30
UAP33
UAP36
UAP42

- Designed for optional use with Removable Sink Front and Universal Removable Sink Front
- Conceals/protects drain and water lines
- Includes one 9" and one 15" high, 3/4" thick laminate plywood panel
- Panels are held with hidden spring clips, removable without tools for easy access to plumbing
- Trim when Base End Panels are used on adjacent cabinets
- Specify species and finish
- Available in all finishes; highlights shipped standard finish
- Installation instructions and mounting hardware included

- ❖ CH (2)
- ❖ HK (2)
- ❖ MP (2)
- ❖ RO (2)
- ❖ LM (2)
- ❖ TL (2)
- TH (2)

V- Groove Panel

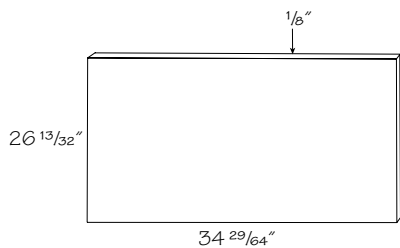


(10a)
VGP4834
VGP4896

- Can be used as wainscoting or to cover exposed backs of base and tall cabinets in peninsula and island configurations
- 3/16" thick veneered plywood panel
- V-Grooves spaced on 1 1/2" centers
- Finished one side only

- ❖ CH (2)
- ❖ HK (2)
- ❖ MP (2)
- ❖ RO (2)
- ❖ LM (2)
- ❖ TL (2)
- TH (2)

CoreGuard® Panel Backer



(10a)
CGPB36

- Light beige colored engineered polymer
- Used to patch backs of CoreGuard® cabinets

- ❖ CH (2)
- ❖ HK (2)
- ❖ MP (2)
- ❖ RO (2)
- ❖ LM (2)
- ❖ TL (2)
- TH (2)

Shelving

Construction Options and Modifications

- ❖ Included as standard
- Available with an upcharge
- ☆ Available with exceptions

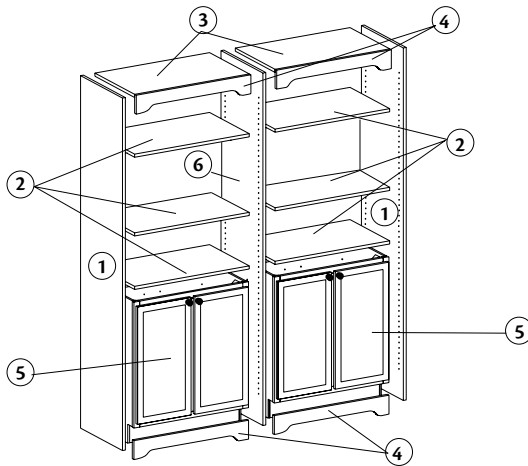
(Blank) **Not** available

CH	Cherry	②
HK	Hickory	②
MP	Maple	②
RO	Red Oak	②
LM	Laminate	②
TL	Textured Laminate	②
TH	Thermofoil	②

100a

USK1812-3/4

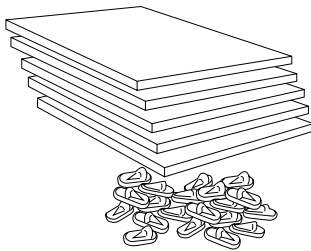
Design Idea



Create your own furniture component system using standard base cabinets and cabinet accessories:

1. Furniture end panel (FEP)
2. Furniture shelf (FS or HDFS)
3. Shelf top and bottom (STB)
4. Furniture valance (TBV)
5. Base cabinet with full-height doors (B30FH)
6. Furniture end panel, center drilled (FEP-CE)

Shelf Kits



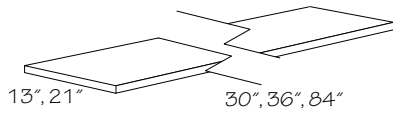
- 100a
- Pantry Shelf Kit*
10 19/32" Deep
PCSK3612-3/4
- Utility Shelf Kit*
10 19/32" Deep
USK1512-3/4
USK1812-3/4
USK2112-3/4
USK2412-3/4
- Utility Shelf Kit*
22 19/32" Deep
USK1524-3/4
USK1824-3/4
USK2124-3/4
USK2424-3/4
- Vanity Shelf Kit*
16 19/32" Deep
VLSK1518-3/4
VLSK1818-3/4
VLSK2118-3/4
VLSK2418-3/4

- 100a
- Vanity Shelf Kit*
19 19/32" Deep
VLSK1521-3/4
VLSK1821-3/4
VLSK2121-3/4
VLSK2421-3/4
- Plywood*
- Utility Shelf Kit*
10 19/32" Deep
+ **USK3012-3/4**
+ **USK3612-3/4**
- Utility Shelf Kit*
22 19/32" Deep
+ **USK3024-3/4**
+ **USK3624-3/4**

- Easy to clean natural wood grain laminated on both sides with matching edge banding on front edge
- Shelf kits are 3/4" thick engineered wood (SST, SDT, PST, PDT) except USK3012-3/4, USK3612-3/4, US3024-3/4 and USK3624-3/4
- USK3012-3/4, USK3612-3/4, US3024-3/4 and USK3624-3/4 are 11/16" thick plywood (SST, SDT, PST, PDT)
- Shelf kits are available in (ADT); shelves are 11/16" thick plywood
- Kit includes: five shelves, 20 clear supports, 30" and 36" wide shelf kits also include five clear back supports

CH	②
HK	②
MP	②
RO	②
LM	②
TL	②
TH	②

+ Always ship as plywood



Furniture Shelf Kit

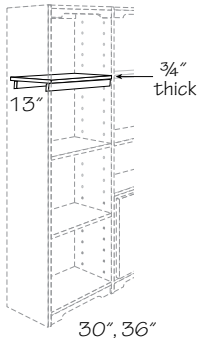
(10a)
 13" Deep
FS3013
FS3613
FS1384
 21" Deep
FS3021
FS3621
FS2184



For heavy-duty applications, use heavy duty shelves

- 3/4" thick engineered wood
- Shelf load rating of 15 lbs. per square foot, unable to exceed 50 lbs.
- 13" deep for books and decorative accessories, 21" deep for electronics
- Front and back edges finished
- Available in all finishes; highlights shipped standard finish
- Stained finishes have wood veneer surfaces
- Painted, (LM) and (TH) finishes have matching laminate surfaces
- Available in specie TL; will match frame finish
- Trimmed to fit installation
- Shelf supports sold separately
- Unavailable in (ADT)

- ❖ CH (2)
- ❖ HK (2)
- ❖ MP (2)
- ❖ RO (2)
- ❖ LM (2)
- ❖ TL (2)
- ❖ TH (2)



Heavy Duty Furniture Shelf Kit

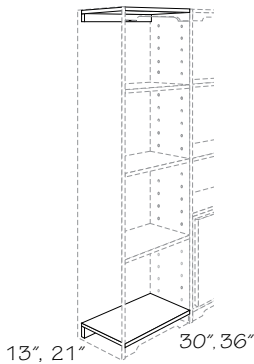
(10a)
 13" Deep
HDFS3013
HDFS3613



Furniture Top and Bottom Shelves are required for modular shelving system

- 3/4" thick engineered wood
- HDFS is reinforced and will support 30 lbs. per sq. ft.
- For books and decorative accessories
- Front and back edges finished
- Available in all finishes; highlights shipped standard finish
- Stained finishes have wood veneer surfaces
- Painted, (LM) and (TH) finishes have matching laminate surfaces
- Available in specie TL; will match frame finish
- Adjustable shelves for use with modular shelving system
- Includes four shelf supports
- Unavailable in (ADT)

- ❖ CH (2)
- ❖ HK (2)
- ❖ MP (2)
- ❖ RO (2)
- ❖ LM (2)
- ❖ TL (2)
- ❖ TH (2)



Shelf Top and Bottom

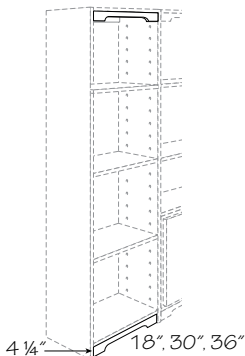
(10a)
 13" Deep
STB3013
STB3613
 21" Deep
STB3021
STB3621



Furniture Top and Bottom Shelves are required for modular shelving system

- 3/4" thick engineered wood
- Includes: shelf, hanger rail (to attach to wall) and cam lock fastener
- Front and back edges finished
- Available in all finishes; highlights shipped standard finish
- Stained finishes have wood veneer surfaces
- Painted, (LM) and (TH) finishes have matching laminate surfaces
- Available in specie TL; will match frame finish
- Textured Laminate will be stained or painted; Laminate and Thermofoil will be painted
- Unavailable in (ADT)

- ❖ CH (2)
- ❖ HK (2)
- ❖ MP (2)
- ❖ RO (2)
- ❖ LM (2)
- ❖ TL (2)
- ❖ TH (2)



Toeboard/Valance

(10a)
TBV30
TBV36



Furniture Top and Bottom Shelves are required for modular shelving system

- Attaches between uprights on the underside of STB's for decorative effect and to stabilize units
- Stained finishes are 3/4" solid wood and have a traditional furniture shape on bottom
- Painted, (LM), (TH) and (TLWP) are 3/4" engineered wood with matching laminate surfaces and straight finished bottom edge
- Available in specie TL; will match frame finish
- Available in all finishes; highlights shipped standard finish

- ❖ CH (2)
- ❖ HK (2)
- ❖ MP (2)
- ❖ RO (2)
- ❖ LM (2)
- ❖ TL (2)
- ❖ TH (2)

Trays

Construction Options and Modifications

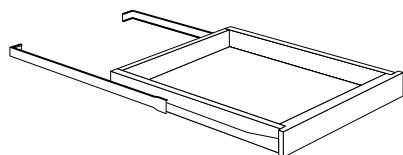
- ❖ Included as standard
- Available with an upcharge
- ☆ Available with exceptions

(Blank) **Not** available

Note: Determine the location of plumbing and other obstructions before ordering any tray kits



BTK12



Base Tray Kit - Standard



- Base Tray Kit
- **BTK12**
 - **BTK15**
 - **BTK18**
 - **BTK21**
 - **BTK24**
 - **BTK27**
 - **BTK27B**
 - **BTK30B**
 - **BTK33**
 - **BTK33B**
 - **BTK36B**
 - **BTK36/39**
 - **BTK39**
 - **BTK45**

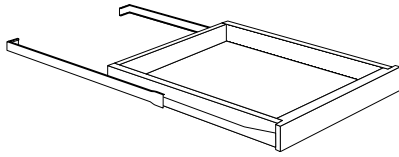
- Includes a hardware pack containing brackets and screws for installing in Utility cabinets

- Installs in 24" deep Base and Utility cabinets
- Base cabinets utilize pre-drilled holes in the back panel
- Utility cabinets utilize pre-drilled holes in the end panels
- Includes tray core box, 3/4 extension left and right slides and installation hardware
- Tray front made of solid hardwood; tray sides, back and bottom panel are made of engineered wood covered with a moisture- and stain-resistant, easy clean laminate. Top edge of sides and back finished with matching edge banding

Base Tray Kit - Standard

Item	Tray Width	For Use In:
BTK12	8 3/4"	B12, B12FH, BCD24DL/R-4D, SB12, UB12, UB12FH
BTK15	11 3/4"	B15, B15FH, B30, B30FH, BCD30DL/R-4D, DSB30, SB15, SB30, SB30FH, U158424, U159024, U159324, U159624, UB15, UB15FH
BTK18	14 3/4"	B18, B18FH, B36, B36FH, B54, BCD36DL/R-4D, DSB36, SB18, SB36, SB36FH, U188424, U189024, U189324, U189624, UB18, UB18FH
BTK21	17 3/4"	B21, B21FH, B42, B42FH, SB21, SB42, SB42FH, UB21, UB42, UB42FH, U218424, U219024, U219324, U219624
BTK24	20 3/4"	B24, B24B, B24FH, B24BFH, PBBC24/27, PBBC24/27B, B48, B48FH, SB24, SB24B, SB24FH, SB24BFH, SB48, SB48FH, U248424, U248424B, U249024, U249024B, U249324, U249324B, U249624, U249624B, UB24, UB24B, UB24FH, UB24BFH, UB48FH, UBT24B
BTK27	10 1/4"	BBC39/42
BTK27B	23 3/4"	B27B, B27BFH, SB27B, SB27BFH, UB27B, UB27BFH
BTK30B	26 3/4"	B30B, B30BFH, SB30B, SB30BFH, U308424B, U309024B, U309324B, U309624B, UB30B, UB30BFH
BTK33	13 1/4"	B33, B33FH, BBC42/45, DSB33, SB33, SB33FH
BTK33B	29 3/4"	B33B, B33BFH, SB33B, SB33BFH, UB33B, UB33BFH
BTK36B	32 3/4"	B36B, B36BFH, SB36B, SB36BFH, U368424B, U369024B, U369324B, U369624B, UB36B, UB36BFH
BTK36/39	7 1/4"	BBC36/39
BTK39	16 1/4"	B39, B39FH, BBC45/48, SB39, SB39FH, UB39FH
BTK45	19 1/4"	B45, B45FH, BBC48/51

Base Tray Kit - Double Faced, Standard

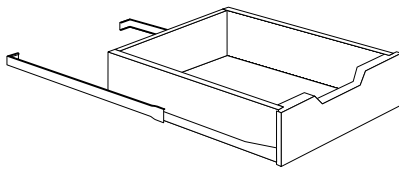


- 10a
- BTK18DF**
 - BTK21DF**
 - BTK24DF**
 - BTK27BDF**
 - BTK30BDF**
 - BTK36BDF**

- Installs in Peninsula Base cabinets utilizing unique brackets supporting the slides at the rear face frame
- Tray front and back are made of solid hardwood; tray sides and bottom panel are made of engineered wood covered with a moisture and stain-resistant, easy clean laminate. Top edge of sides finished with matching edge banding
- Includes tray core box, 3/4 extension left and right slides and installation hardware

Base Tray Kit - Double Faced, Standard		
Item	Tray Width	For Use In:
BTK18DF	14 3/4"	PB18, PB36
BTK21DF	17 3/4"	PB21
BTK24DF	20 3/4"	PB24, PB24B
BTK27BDF	23 3/4"	PB27B
BTK30BDF	26 3/4"	PB30B
BTK36BDF	32 3/4"	PB36B

Base Deep Tray Kit

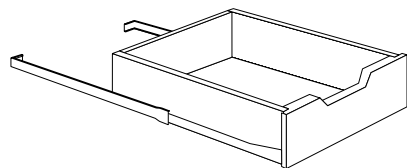


- 10a
- BDTK12**
 - **BDTK15**
 - **BDTK18**
 - **BDTK21**
 - **BDTK24**
 - BDTK27**
 - BDTK27B**
 - **BDTK30B**
 - BDTK33**
 - BDTK33B**
 - **BDTK36B**
 - BDTK39**
 - BDTK45**

- Installs in 24" deep Base and Utility cabinets
- Base cabinets utilize pre-drilled holes in the back panel
- Utility cabinets utilize pre-drilled holes in the end panels
- Includes tray core box, 3/4 extension left and right slides and installation hardware
- Trays are made of 1/2" thick solid hardwood; bottoms are 3/16" thick matching wood grain printed plywood covered with a moisture and stain resistant easy clean laminate
- Half-blind dovetail joinery all four corners
- 1 15/16" deep finger pull at midpoint of tray front
- 3 3/16" interior height along sides
- Natural finish

- Includes a hardware pack containing brackets and screws for installing in Utility cabinets

Base Deep Tray Kit		
Item	Tray Width	For Use In:
BDTK12	8"	B12, B12FH, BCD24DR-4D, BCD24DL-4D, SB12, UB12, UB12FH
BDTK15	11"	B15, B15FH, B30, B30FH, BCD30DR-4D, BCD30DL-4D, DSB30, PB30, SB15, SB30, SB30FH, SB30UT, U158424, U159024, U159324, U159624, UB15, UB15FH
BDTK18	14"	B18, B18FH, B36, B36FH, B54, BCD36DR-4D, BCD36DL-4D, DSB36, PB18, PB36, SB18, SB36, SB36FH, SB36UT, U188424, U189024, U189324, U189624, UB18, UB18FH
BDTK21	17"	B21, B21FH, B42, B42FH, PB21, SB21, SB42, SB42FH, SB42UT, U218424, U219024, U219324, U219624, UB21, UB42, UB42FH
BDTK24	20"	B24, B24B, B24BFH, B24FH, B48, B48FH, PB24, PB24B, PBBC24/27, PBBC24/27B, SB24, SB24B, SB24FH, SB24BFH, SB24BUT, SB24UT, SB48, SB48FH, SB48UT, U248424, U248424B, U249024, U249024B, U249324, U249324B, U249624, U249624B, UB24, UB24B, UB24FH, UB24BFH, UB48FH, UBT24B
BDTK27	9 1/2"	BBC39/42
BDTK27B	23"	B27B, B27BFH, PB27B, SB27B, SB27BFH, SB27BUT, UB27B, UB27BFH
BDTK30B	26"	B30B, B30BFH, PB30B, SB30B, SB30BFH, SB30BUT, U308424B, U309024B, U309324B, U309624B, UB30B, UB30BFH
BDTK33	12 1/2"	B33, B33FH, BBC42/45, DSB33, SB33, SB33FH, SB33UT
BDTK33B	29"	B33B, B33BFH, SB33B, SB33BFH, SB33BUT, UB33B, UB33BFH
BDTK36B	32"	B36B, B36BFH, PB36B, SB36B, SB36BFH, SB36BUT, U368424B, U369024B, U369324B, U369624B, UB36B, UB36BFH
BDTK39	15 1/2"	B39, B39FH, BBC45/48, SB39, SB39FH, SB39UT, UB39FH
BDTK45	18 1/2"	B45, B45FH, BBC48/51



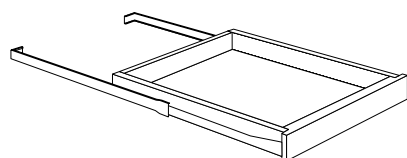
Base Deep Tray Kit - Side Mount Full Extension

10a

BDTK30B-SMFE
BDTK33B-SMFE
BDTK36B-SMFE

- Installs in 24", 30", 33" and 36" wide base cabinets with butt doors using pre-drilled holes in back panel
- Unable to use in Utility cabinets
- Includes tray core box, full-extension side mount ball bearing guides, and installation hardware
- Trays are made of 1/2" thick solid hardwood; bottoms are 3/16" thick matching wood grain printed plywood covered with a moisture and stain resistant easy clean laminate
- Half-blind dovetail joinery all four corners
- 1 15/16" deep finger pull at midpoint of tray front
- 3 3/16" interior height along sides
- Natural finish

Base Deep Tray Kit - Side Mount Full Extension		
Item	Tray Width	For Use In:
BDTK30B-SMFE	25 13/16"	B30B, B30BFH, BSD30B, SB30B, SB30BFH, SB30BUT, UB30B, UB30BFH
BDTK33B-SMFE	28 13/16"	B33B, B33BFH, SB33B, SB33BFH, SB33BUT, UB33B, UB33BFH
BDTK36B-SMFE	31 13/16"	B36B, B36BFH, BSD36B, SB36B, SB36BFH, SB36BUT, UB36B, UB36BFH



Vanity Tray Kit

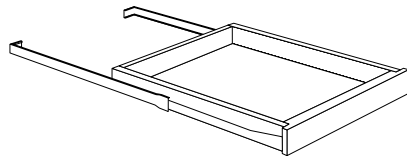
10a

VTK12
 ■ **VTK15**
 ■ **VTK18**
 ■ **VTK21**
 ■ **VTK24**
 ■ **VTK27B**
 ■ **VTK30B**
 ■ **VTK33**
 ■ **VTK33B**
 ■ **VTK36B**

- Includes brackets and screws for installing in 21" deep Utility and Vanity Linen Cabinets

- Installs in 21" deep Vanity cabinets and Vanity Linen Cabinets
- Vanity cabinets utilize pre-drilled holes in the back panel
- Vanity Linen Cabinets utilize pre-drilled holes in the end panels
- Includes tray core box, 3/4 extension left and right slides and installation hardware
- Tray front and back are made of solid hardwood; tray sides and bottom panel are made of engineered wood covered with a moisture and stain-resistant, easy clean laminate. Top edge of sides finished with matching edge banding
- VLC1848 cabinet end panels are **not** pre-drilled to accept VTK18

Vanity Tray Kit		
Item	Tray Width	For Use In:
VTK12	8 3/4"	VB12, VB1235, VB24FH, VCD24DR/L, VCD2435DR/L, VSB42-2D, VSB4235-2D
VTK15	11 3/4"	VB15, VB1535, VB30FH, VB3035FH, VB48FH, VB4835FH, VBT60FH, VBT6035FH, VCD30DR/L, VCD3035DR/L, VLC1584, VLC1590, VLC1596, VSB48-2D, VSB4835-2D, VSBT60-2D, VSBT6035-2D
VTK18	14 3/4"	VB18, VB1835, VB18FH, VB1835FH, VB36FH, VB3635FH, VB54FH, VB5435FH, VCD36DR/L, VCD3635DR/L, VLC1884, VLC1890, VLC1896, VSB36-2D, VSB3635-2D, VSB54-2D, VSB5435-2D
VTK21	17 3/4"	VB21, VB2135, VB21FH, VB2135FH, VB42FH, VB4235FH, VSB42, VSB4235, VSB54-3D, VSB5435-4D, VLC2184, VLC2190, VLC2196
VTK24	20 3/4"	VB24, VB2435, VB24B, VB24BFH, VB2435B, VB2435BFH, VB24SFH, VB2435SFH, VLC2484, VLC2484B, VLC2490, VLC2490B, VLC2496, VLC2496B, VSB24B, VSB2435B, VSBT60-3D, VSBT6035-4D
VTK27B	23 3/4"	VB27BFH, VB2735BFH, VSB27B, VSB2735B
VTK30B	26 3/4"	VB30BFH, VB3035BFH, VSB30B, VSB3035B
VTK33	13 1/4"	VB33FH, VB3335FH, VCD33DR/L, VCD3335DR/L
VTK33B	29 3/4"	VB33BFH, VB3335BFH, VSB33B, VSB3335B
VTK36B	32 3/4"	VB36BFH, VB3635BFH, VSB36B, VSB3635B



Vanity Tray Kit - Space Saver

(10)

- **VTKS12**
- **VTKS15**
- **VTKS18**
- **VTKS21**
- **VTKS24**
- **VTKS27B**
- **VTKS30B**
- **VTKS33**
- **VTKS33B**
- **VTKS36B**

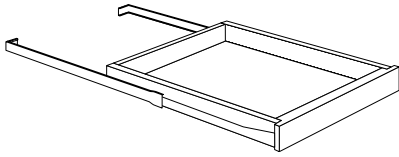
■ Includes brackets and screws for installing in 18" deep Utility and Vanity Linen Cabinets

- Installs in 18" deep Vanity and Vanity Linen Cabinets
- Includes tray core box, 3/4 extension left and right slides and installation hardware
- Tray front and back are made of solid hardwood; tray sides and bottom panel are made of engineered wood covered with a moisture and stain-resistant, easy clean laminate. Top edge of sides finished with matching edge banding
- VLC184818 cabinet end panels are **not** pre-drilled to accept VTKS18

Vanity Tray Kit - Space Saver

Item	Tray Width	For Use In:
VTKS12	8 3/4"	VB1218, VB123518, VB2418FH, VCD2418DR/L, VCD243518DR/L, VSB4218-2D, VSB423518-2D
VTKS15	11 3/4"	VB1518, VB153518, VB3018FH, VB303518FH, VB4818FH, VCD3018DR/L, VCD303518DR/L, VSB4818-2D, VSB483518-2D, VLC158418, VLC159018, VLC159618, VB483518FH, VBT6018FH, VBT603518FH, VSBT6018-2D, VSBT603518-2D
VTKS18	14 3/4"	VB1818, VB1818FH, VB183518, VB183518FH, VB3618FH, VB363518FH, VB5418FH, VB543518FH, VCD3618DR/L, VCD363518DR/L, VSB3618-2D, VSB363518-2D, VSB5418-2D, VSB543518-2D, VLC188418, VLC189018, VLC189618
VTKS21	17 3/4"	VB2118, VB2118FH, VB213518, VB213518FH, VB4218FH, VB423518FH, VSB4218, VSB423518, VSB5418-3D, VSB543518-4D, VLC218418, VLC219018, VLC219618
VTKS24	20 3/4"	VB2418, VB2418B, VB2418BFH, VB2418SFH, VB243518, VB243518B, VB243518SFH, VB243518BFH, VSB2418B, VSB243518B, VLC248418, VLC248418B, VLC249018, VLC249018B, VLC249618, VLC249618B, VSBT6018-3D, VSBT603518-4D
VTKS27B	23 3/4"	VB2718BFH, VB273518BFH, VSB2718B, VSB273518B
VTKS30B	26 3/4"	VB3018BFH, VB303518BFH, VSB3018B, VSB303518B
VTKS33	13 1/4"	VCD3318DR/L, VCD333518DR/L, VB3318FH, VB333518FH
VTKS33B	29 3/4"	VB3318BFH, VB333518BFH, VSB3318B, VSB333518B
VTKS36B	32 3/4"	VB3618BFH, VB363518BFH, VSB3618B, VSB363518B

Roll-Out Trays - Solid Wood



(10a)

Vanity Cabinets 18" Deep

- ROT1518
- ROT1818
- ROT2418B
- ROT2718B
- ROT3018B
- ROT3318

Vanity Cabinets 21" Deep

- ROT1221
- ROT1521
- ROT1821
- ROT2121
- ROT2421B
- ROT2721B
- ROT3021B
- ROT3321
- ROT3321B
- ROT3621B

(10a)

Base Cabinets 24" Deep

- ROT1224
- ROT1524
- ROT1824
- ROT2124
- ROT2424B
- ROT2724B
- ROT3024B
- ROT3324
- ROT3324B
- ROT3624B
- ROT3924
- ROT4524

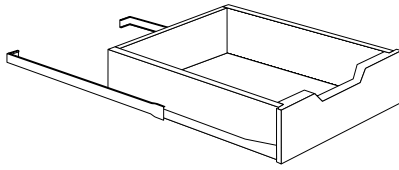
- Includes brackets and screws for installing in Utility and Vanity Linen Cabinets

- Installs in Base, Utility, Vanity and Vanity Linen Cabinets
- Base and Vanity cabinets utilize pre-drilled holes in the back panel
- Utility and Vanity Linen Cabinets utilize pre-drilled holes in the end panels
- Includes tray core box, 3/4 extension left and right slides and installation hardware
- Solid hardwood tray core with 3/4" thick front and 1/2" thick sides and back
- 3/16" thick plywood bottom panel finished on the top side with a moisture and stain resistant, easy clean laminate with printed matching wood grain
- Natural finish

Roll-Out Trays-Solid Wood

Item (by depth) 18" Deep	Tray Width	For Use In:
ROT1518	11 3/4"	VB1518, VB153518, VB3018FH, VB303518FH, VB4818FH, VCD3018DR/L, VCD303518DR/L, VSB4818-2D, VSB483518-2D, VLC158418, VLC159018, VLC159618, VB483518FH, VBT6018FH, VBT603518FH, VSBT6018-2D, VSBT603518-2D
ROT1818	14 3/4"	VB1818, VB1818FH, VB183518, VB183518FH, VB3618FH, VB363518FH, VB5418FH, VB543518FH, VCD3618DR/L, VCD363518DR/L, VSB3618-2D, VSB363518-2D, VSB5418-2D, VSB543518-2D, VLC188418, VLC189018, VLC189618
ROT2418B	20 3/4"	VB2418, VB2418B, VB2418BFH, VB2418SFH, VB243518, VB243518B, VB243518SFH, VB243518BFH, VSB2418B, VSB243518B, VLC248418, VLC248418B, VLC249018, VLC249018B, VLC249618, VLC249618B, VSBT6018-3D, VSBT603518-4D
ROT2718B	23 3/4"	VB2718BFH, VB273518BFH, VSB2718B, VSB273518B
ROT3018B	26 3/4"	VB3018BFH, VB303518BFH, VSB3018B, VSB303518B
ROT3318	13 1/4"	VCD3318DR/L, VCD333518DR/L, VB3318FH, VB333518FH
21" Deep		
ROT1221	8 3/4"	VB12, VB1235, VB24FH, VCD24DR/L, VCD2435DR/L, VSB42-2D, VSB4235-2D
ROT1521	11 3/4"	VB15, VB1535, VB30FH, VB3035FH, VB48FH, VB4835FH, VCD30DR/L, VCD3035DR/L, VLC1584, VLC1590, VLC1596, VSB48-2D, VSB4835-2D, VBT60FH, VBT6035FH, VSBT60-2D, VSBT6035-2D
ROT1821	14 3/4"	VB18, VB1835, VB18FH, VB1835FH, VB36FH, VB3635FH, VB54FH, VB5435FH, VCD36DR/L, VCD3635DR/L, VLC1884, VLC1890, VLC1896, VSB36-2D, VSB3635-2D, VSB54-2D, VSB5435-2D
ROT2121	17 3/4"	VB21, VB2135, VB21FH, VB2135FH, VB42FH, VB4235FH, VSB42, VSB4235, VSB54-3D, VSB5435-4D, VLC2184, VLC2190, VLC2196
ROT2421B	20 3/4"	VB24, VB2435, VB24B, VB24BFH, VB2435B, VB2435BFH, VB245FH, VB2435SFH, VLC2484, VLC2484B, VLC2490, VLC2490B, VLC2496, VLC2496B, VSB24B, VSB2435B, VSBT60-3D, VSBT6035-4D
ROT2721B	23 1/4"	VB27BFH, VB2735BFH, VSB27B, VSB2735B
ROT3021B	26 3/4"	VB30BFH, VB3035BFH, VSB30B, VSB3035B
ROT3321	13 1/4"	VCD33DR/L, VCD3335DR/L, VB33FH, VB3335FH
ROT3321B	29 3/4"	VB33BFH, VB3335BFH, VSB33B, VSB3335B
ROT3621B	32 3/4"	VB36BFH, VB3635BFH, VSB36B, VSB3635B
24" Deep		
ROT1224	8 3/4"	B12, B12FH, BCD24DL/R-4D, SB12, UB12, UB12FH
ROT1524	11 3/4"	B15, B15FH, B30, B30FH, BCD30DL/R-4D, DSB30, SB15, SB30, SB30FH, U158424, U159024, U159324, U159624, UB15, UB15FH
ROT1824	14 3/4"	B18, B18FH, B36, B36FH, B54, BCD36DL/R-4D, DSB36, SB18, SB36, SB36FH, U188424, U189024, U189324, U189624, UB18, UB18FH
ROT2124	17 3/4"	B21, B21FH, B42, B42FH, SB21, SB42, SB42FH, UB21, UB42, UB42FH, U218424, U219024, U219324, U219624
ROT2424B	30 3/4"	B24, B24B, B24FH, B24BFH, PBBC24/27, PBBC24/27B, B48, B48FH, SB24, SB24B, SB24FH, SB24BFH, SB48, SB48FH, U248424, U248424B, U249024, U249024B, U249324, U249324B, U249624, U249624B, UB24, UB24B, UB24FH, UB24BFH, UB48FH, UBT24B
ROT2724B	23 3/4"	B27B, B27BFH, SB27B, SB27BFH, UB27B, UB27BFH
ROT3024B	26 3/4"	B30B, B30BFH, SB30B, SB30BFH, U308424B, U309024B, U309324B, U309624B, UB30B, UB30BFH
ROT3324	13 1/4"	B33, B33FH, BBC42/45, DSB33, SB33, SB33FH
ROT3324B	29 3/4"	B33B, B33BFH, SB33B, SB33BFH, UB33B, UB33BFH
ROT3624B	32 3/4"	B36B, B36BFH, SB36B, SB36BFH, U368424B, U369024B, U369324B, U369624B, UB36B, UB36BFH
ROT3924	16 1/4"	B39, B39FH, BBC45/48, SB39, SB39FH, UB39FH
ROT4524	19 1/4"	B45, B45FH, BBC48/51, UB45FH

Vanity Deep Tray Kit



- 10a
VDTK12
 VDTK15
 VDTK18
 VDTK21
 VDTK24
 VDTK27B
 VDTK30B
 VDTK33
 VDTK33B
 VDTK36B

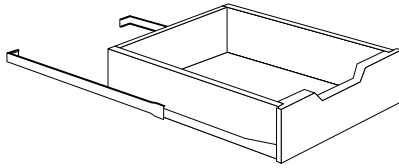
■ Includes brackets and screws for installing in 21" deep Utility and Vanity Linen Cabinets

- Installs in 21" deep Vanity and Vanity Linen Cabinets
- Vanity cabinets utilize pre-drilled holes in the back panel
- Vanity Linen Cabinets utilize pre-drilled holes in the end panels
- Includes tray core box, 3/4 extension left and right slides and installation hardware
- Trays are made of 1/2" thick solid hardwood; bottoms are 3/16" thick matching wood grain printed plywood covered with a moisture and stain resistant easy clean laminate
- Half-blind dovetail joinery all four corners
- 1 15/16" deep finger pull at midpoint of tray front
- 3 3/16" interior height along sides
- Natural finish
- One tray per kit

Vanity Deep Tray Kit

Item	Tray Width	For Use In:
VDTK12	8"	VB12, VB1235, VB24FH, VCD24DR/L, VCD2435DR/L, VSB42-2D, VSB4235-2D
VDTK15	11"	VB15, VB1535, VB30FH, VB3035FH, VB48FH, VB4835FH, VCD30DR/L, VCD3035DR/L, VLC1584, VLC1590, VLC1596, VSB48-2D, VSB4835-2D, VBT60FH, VBT6035FH, VSBT60-2D, VSBT6035-2D
VDTK18	14"	VB18, VB1835, VB18FH, VB1835FH, VB36FH, VB3635FH, VB54FH, VB5435FH, VCD36DR/L, VCD3635DR/L, VLC1884, VLC1890, VLC1896, VSB36-2D, VSB3635-2D, VSB54-2D, VSB5435-2D
VDTK21	17"	VB21, VB2135, VB21FH, VB2135FH, VB42FH, VB4235FH, VSB42, VSB4235, VSB54-3D, VSB5435-4D, VLC2184, VLC2190, VLC2196
VDTK24	20"	VB24, VB2435, VB24B, VB24BFH, VB2435B, VB2435BFH, VB24SFH, VB2435SFH, VLC2484, VLC2484B, VLC2490, VLC2490B, VLC2496, VLC2496B, VSB24B, VSB2435B, VSBT60-3D, VSBT6035-4D
VDTK27B	23"	VB27BFH, VB2735BFH, VSB27B, VSB2735B
VDTK30B	26"	VB30BFH, VB3035BFH, VSB30B, VSB3035B
VDTK33	12 1/2"	VCD33DR/L, VCD3335DR/L, VB33FH, VB3335FH
VDTK33B	29"	VB33BFH, VB3335BFH, VSB33B, VSB3335B
VDTK36B	32"	VB36BFH, VB3635BFH, VSB36B, VSB3635B

Vanity Deep Tray Kit - Space Saver



- 10a
VDTKS12
 VDTKS15
 VDTKS18
 VDTKS21
 VDTKS24
 VDTKS27B
 VDTKS30B
 VDTKS33
 VDTKS33B
 VDTKS36B

■ Includes brackets and screws for installing in 18" deep Utility and Vanity Linen Cabinets

- Installs in 18" deep Vanity and Vanity Linen Cabinets
- Vanity cabinets utilize pre-drilled holes in the back panel
- Vanity Linen Cabinets utilize pre-drilled holes in the end panels
- Includes tray core box, 3/4 extension left and right slides and installation hardware
- Trays are made of 1/2" thick solid hardwood; bottoms are 3/16" thick matching wood grain printed plywood covered with a moisture and stain resistant easy clean laminate
- Half-blind dovetail joinery all four corners
- 1 15/16" deep finger pull at midpoint of tray front
- 3 3/16" interior height along sides
- Natural finish

Vanity Deep Tray Kit-Space Saver

Item	Tray Width	For Use In:
VDTKS12	8"	VB1218, VB123518, VB2418FH, VCD2418DR/L, VCD243518DR/L, VSB4218-2D, VSB423518-2D
VDTKS15	11"	VB1518, VB153518, VB3018FH, VB303518FH, VB4818FH, VCD3018DR/L, VCD303518DR/L, VSB4818-2D, VSB483518-2D, VLC158418, VLC159018, VLC159618, VSBT6018-2D, VSBT603518-2D, VB483518FH, VBT6018FH, VBT603518FH
VDTKS18	14"	VB1818, VB1818FH, VB183518, VB183518FH, VB3618FH, VB363518FH, VB5418FH, VB543518FH, VCD3618DR/L, VCD363518DR/L, VSB3618-2D, VSB363518-2D, VSB5418-2D, VSB543518-2D, VLC188418, VLC189018, VLC189618
VDTKS21	17"	VB2118, VB2118FH, VB213518, VB213518FH, VB4218FH, VB423518FH, VSB4218, VSB423518, VSB5418-3D, VSB543518-4D, VLC218418, VLC219018, VLC219618
VDTKS24	20"	VB2418, VB2418B, VB2418BFH, VB2418SFH, VB243518, VB243518B, VB243518SFH, VB243518BFH, VSB2418B, VSB243518B, VLC248418, VLC248418B, VLC249018, VLC249018B, VLC249618, VLC249618B, VSBT6018-3D, VSBT603518-4D
VDTKS27B	23"	VB2718BFH, VB273518BFH, VSB2718B, VSB273518B
VDTKS30B	26"	VB3018BFH, VB303518BFH, VSB3018B, VSB303518B
VDTKS33	12 1/2"	VB3318FH, VB333518FH, VCD3318DR/L, VCD333518DR/L
VDTKS33B	29"	VB3318BFH, VB333518BFH, VSB3318B, VSB333518B
VDTKS36B	32"	VB3618BFH, VB363518BFH, VSB3618B, VSB363518B

Moldings

Construction Options and Modifications

- ❖ Included as standard
- Available with an upcharge
- ☆ Available with exceptions

(Blank) **Not** available

Note: Textured Laminate will be stained or painted; Laminate and Thermofoil will be painted unless noted

10a

AOSC8

CH	Cherry	②
HK	Hickory	②
MP	Maple	②
RO	Red Oak	②
LM	Laminate	②
TL	Textured Laminate	②
TH	Thermofoil	②

Molding Stack Information



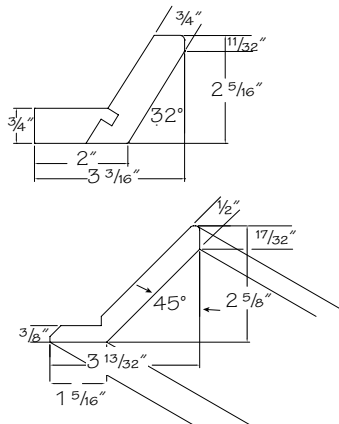
- **Note:** Expect to lose up to 4" - 6 1/2" per cut, so plan extra molding accordingly. Always order one or two extra pieces of molding to make up the cut loss which could be up to 3" per cut to ensure the moldings are at the job site for a timely installation. Ordering additional molding after the fact to complete the job means the molding is **not** pulled as a group or run at the same time of color application.



To add Molding Stacks in your 2020 Design, locate them in the Drag and Drop list under: Moldings>Top Moldings>Pre-Stacked Moldings. To view the PDFs, right-click on a specific stack and go to specs.

Angle Crown Molding

10a



ACM8-TL

- Solid Wood
- ACM8
- ACM8-6
- ▲ Solid Wood Unfinished
- ▲ ACM8-UF
- ▲ ACM8-6-UF
- ✦ Textured Laminate
- ✦ ACM8-TL

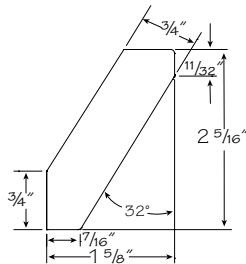
- Available in all finishes; highlights shipped standard finish
- ▲ Unfinished is only available in Cherry, Maple and Oak
- ✦ Medium Density Fiberboard (MDF) wrapped in textured wood grain laminate; available in (TL) only; will match door and drawer front laminate

- Installs directly to top of cabinet
- Allow sufficient space between top of cabinet and soffit or ceiling to accommodate molding
- The mounting cleat is finished but is **not** a matching wood species to the face; **not** intended to be exposed after installation
- ☆ Offered in 8' lengths

❖ CH	②
❖ HK	②
❖ MP	②
❖ RO	②
❖ LM	②
☆ TL	②
TH	②

Angle Crown Molding Face Mount

10a

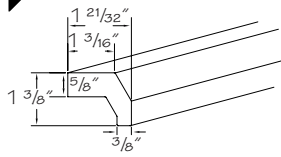


- ACMFM8
- ACMFM8-6

- Solid wood
- Allow sufficient space between top of cabinet and soffit or ceiling to accommodate molding
- Backs are unfinished
- Available in all finishes; highlights shipped standard finish
- Offered in 8' lengths

❖ CH	②
❖ HK	②
❖ MP	②
❖ RO	②
❖ LM	②
❖ TL	②
TH	②

New



Angled Light Rail

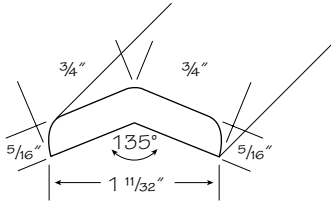
ALR8
ALR8-6

Grey color coding indicates new product, size or code.

- Solid wood
- Can be used under wall cabinets to conceal light fixtures
- Backs are unfinished
- Available in all finishes; highlights shipped standard finish
- Offered in 8' lengths

- ❖ CH ②
- ❖ HK ②
- ❖ MP ②
- ❖ RO ②
- ❖ LM ②
- ❖ TL ②
- ❖ TH ②

Angled Outside Corner Molding - 135°

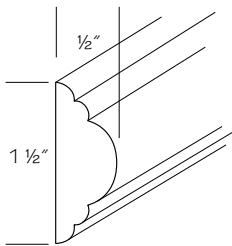


AOSC8
AOSC8-25

- Solid wood
- Used to cover joint when two panels meet at 135°
- Backs are unfinished
- Available in all finishes; highlights shipped standard finish
- Offered in 8' lengths

- ❖ CH ②
- ❖ HK ②
- ❖ MP ②
- ❖ RO ②
- ❖ LM ②
- ❖ TL ②
- ❖ TH ②

Chair Rail Molding

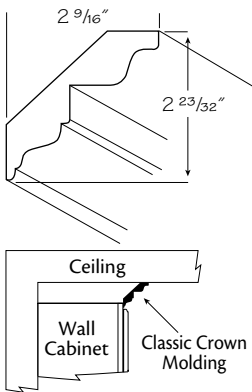


CR8
CR8-15

- Solid wood
- Can also be used as a countertop nosing
- Backs are unfinished
- Offered in 8' lengths

- ❖ CH ②
- ❖ HK ②
- ❖ MP ②
- ❖ RO ②
- ❖ LM ②
- ❖ TL ②
- ❖ TH ②

Classic Crown Molding



CCM8
CCM-SW10

- Solid wood
- Allow sufficient space between top of cabinet and soffit or ceiling to accommodate molding
- Includes recess for the application of Dentil Molding, Single Bead Trim Molding, or Rope Molding
- Backs are unfinished
- Offered in 8' and 10' lengths

- ❖ CH ②
- ❖ HK ②
- ❖ MP ②
- ❖ RO ②
- ❖ LM ②
- ❖ TL ②
- ❖ TH ②

Corner Molding

(10a)

Solid Wood
Inside Corner Molding

- ICM8
- ICM8-25

Solid Wood
Outside Corner Molding

- OSC8
- OSC8-25

Paper Wrapped
Inside Corner Molding

- ▲ ICPM8
- ▲ ICPM8-20

Paper Wrapped
Outside Corner Molding

- ▲ OSCP8
- ▲ OSCP8-20

Textured Laminate
Inside Corner Molding

- ◆ ICM8-TL

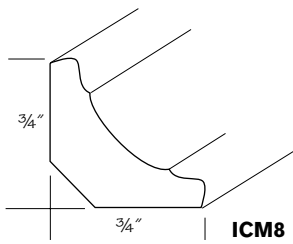
Textured Laminate
Outside Corner Molding

- ◆ OSC8-TL

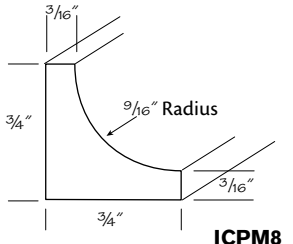
- Available in all finishes; highlights shipped standard finish
- ▲ Only available in White, which is Medium Density Fiberboard (MDF) or plastic
- ◆ Medium Density Fiberboard (MDF) wrapped in textured wood grain laminate; available in (TL) only; will match door and drawer front laminate

- Backs are unfinished
- ☆ Offered in 8' lengths

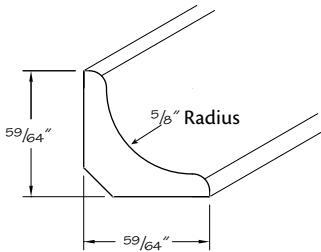
- ❖ CH (2)
- ❖ HK (2)
- ❖ MP (2)
- ❖ RO (2)
- ❖ LM (2)
- ❖ TL (2)
- ❖ TH (2)



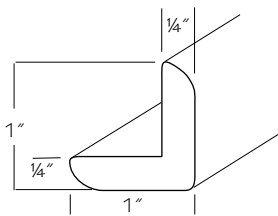
ICM8



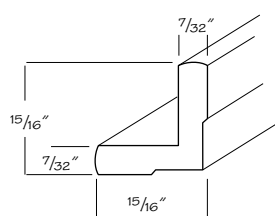
ICPM8



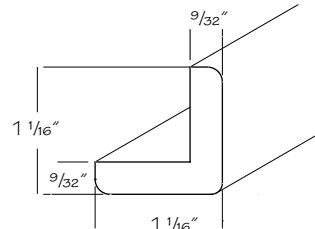
ICM8-TL



OSC8



OSCP8



OSC8-TL

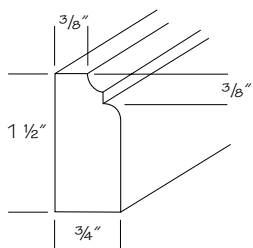
Countertop Molding - Decorative Edge

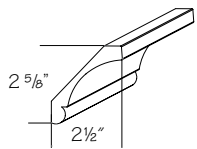
(10b)

- CTD8
- CTD8-16

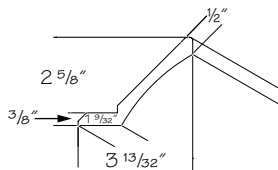
- Solid wood
- Used as countertop nosing
- Can be used under wall cabinets to conceal light fixtures
- Backs are unfinished
- Offered in 8' lengths

- ❖ CH (2)
- ❖ HK (2)
- ❖ MP (2)
- ❖ RO (2)
- ❖ LM (2)
- ❖ TL (2)
- ❖ TH (2)

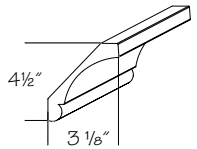




CVLM8



CVLM8-TL



CVXLM8

Cove Molding

10a

Solid Wood
Cove Large Molding
CVLM8
CVLM8-4

Textured Laminate
Cove Large Molding

■ **CVLM8-TL**

Solid Wood
Cove Large Molding
CVLM-SW10
CVLM-SW10-4

Solid Wood
Cove Extra Large Molding
CVXLM8

■ Medium Density Fiberboard (MDF) wrapped in textured wood grain laminate; available in (TL) only; when ordered, model will match door and drawer front laminate

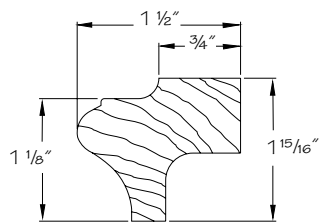
- Backs are unfinished
- Allow sufficient space between top of cabinet and soffit or ceiling to accommodate molding
- Offered in 8' and 10' lengths

- ❖ CH 2
- ❖ HK 2
- ❖ MP 2
- ❖ RO 2
- ❖ LM 2
- ❖ TL 2
- ❖ TH 2

Cove Light Rail Molding

10a

CVLR8
CVLR8-6



CVLR8

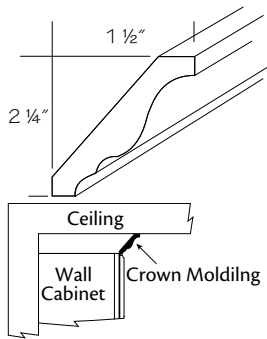
- Solid wood
- Can be used under wall cabinets to conceal light fixtures
- Backs are unfinished
- Offered in 8' lengths

- ❖ CH 2
- ❖ HK 2
- ❖ MP 2
- ❖ RO 2
- ❖ LM 2
- ❖ TL 2
- ❖ TH 2

Crown Molding

10a

CM8
CM8-15
CM-SW10
CM-SW10-15



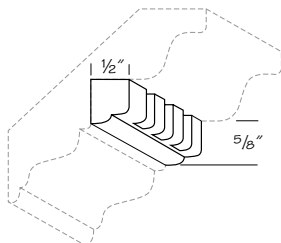
- Solid wood
- Allow sufficient space between top of cabinet and soffit or ceiling to accommodate molding
- Backs are unfinished
- Offered in 8' and 10' lengths

- ❖ CH 2
- ❖ HK 2
- ❖ MP 2
- ❖ RO 2
- ❖ LM 2
- ❖ TL 2
- ❖ TH 2

Dentil Molding

10a

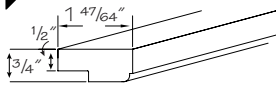
DM8



- Solid wood
- Used to decorate/trim space between doors and ceilings/soffit. Can be combined with Classic Crown Molding to create a cornice effect as shown
- Backs are unfinished
- Offered in 8' lengths

- ❖ CH 2
- ❖ HK 2
- ❖ MP 2
- ❖ RO 2
- ❖ LM 2
- ❖ TL 2
- ❖ TH 2

New



Empire Light Rail

10a
EPLR8
EPLR8-6

Grey color coding indicates new product, size or code.

- Solid wood
- Can be used under wall cabinets to conceal light fixtures
- Backs are unfinished
- Offered in 8' lengths

- ❖ CH 2
- ❖ HK 2
- ❖ MP 2
- ❖ RO 2
- ❖ LM 2
- ❖ TL 2
- ❖ TH 2

Furniture Base

10b

Contemporary Furniture Base
CFB8

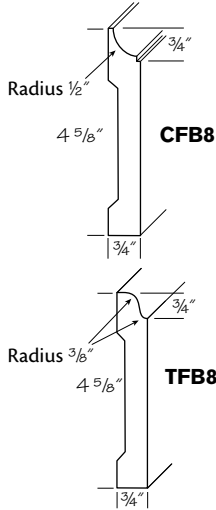
Traditional Furniture Base

■ **TFB8**

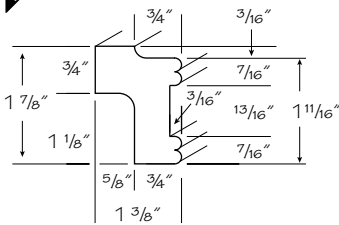
- Available in all finishes; highlights shipped standard finish

- Solid wood
- Backs are unfinished
- Offered in 8' lengths

- ❖ CH 2
- ❖ HK 2
- ❖ MP 2
- ❖ RO 2
- ❖ LM 2
- ❖ TL 2
- ❖ TH 2



New



Inset Light Rail

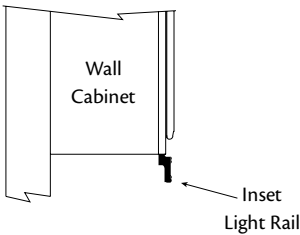
10c

ILR8
ILR8-6

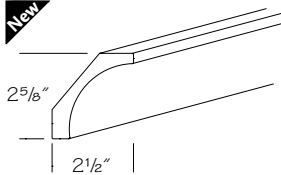
Grey color coding indicates new product, size or code.

- Solid wood
- Can be used under wall cabinets to conceal light fixtures
- Backs are unfinished
- Offered in 8' lengths

- ❖ CH 2
- ❖ HK 2
- ❖ MP 2
- ❖ RO 2
- ❖ LM 2
- ❖ TL 2
- ❖ TH 2



New



Large Sterling Crown Molding

10d

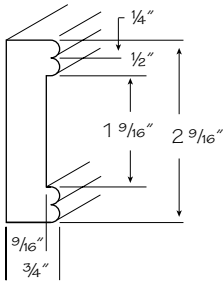
LSTCM8

Grey color coding indicates new product, size or code.

- Solid wood
- Available in all finishes; highlights shipped standard finish
- Backs are unfinished
- Offered in 8' lengths

- ❖ CH 2
- ❖ HK 2
- ❖ MP 2
- ❖ RO 2
- ❖ LM 2
- ❖ TL 2
- ❖ TH 2

Library Molding

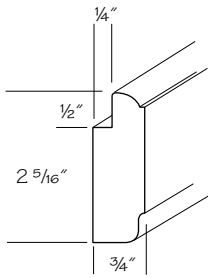


10a
LM8
LM8-10

- Solid wood
- Includes a 1 9/16" wide flat recess so that it can be combined with other decorative moldings
- Backs are unfinished
- Offered in 8' lengths

❖ CH ②
❖ HK ②
❖ MP ②
❖ RO ②
❖ LM ②
❖ TL ②
❖ TH ②

Mirror Molding

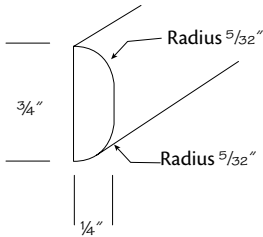


10a
MM8
MM8-2

- Solid wood
- Used to trim and support mirror glasses
- Can be used with 1/8" or 1/4" thick mirror glass or picture framing. 1/8" mirror glass requires 1/8" Masonite backer
- Backs are unfinished
- Offered in 8' lengths

❖ CH ②
❖ HK ②
❖ MP ②
❖ RO ②
❖ LM ②
❖ TL ②
❖ TH ②

Narrow Batten Molding

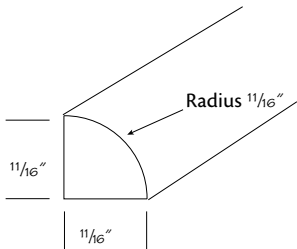


10a
NBM8
NBM8-25

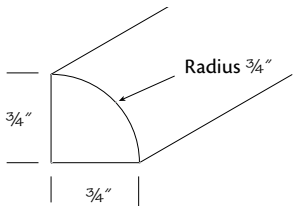
- Solid wood
- Backs are unfinished
- Available in all finishes; highlights shipped standard finish
- Offered in 8' lengths

❖ CH ②
❖ HK ②
❖ MP ②
❖ RO ②
❖ LM ②
❖ TL ②
❖ TH ②

Quarter Round Molding



QR8



QR8-TL

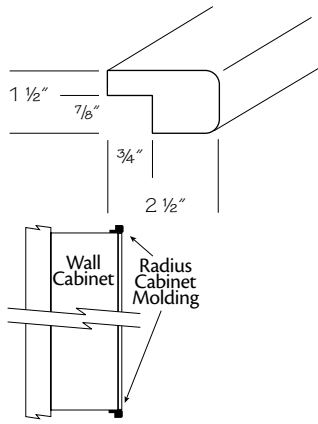
10a
Solid Wood
■ **QR8**
■ **QR8-28**
Textured Laminate
▲ **QR8-TL**

- Available in all finishes; highlights shipped standard finish
- ▲ Medium Density Fiberboard (MDF) wrapped in textured wood grain laminate; available in (TL) only; will match door and drawer front laminate

- Solid wood
- Can be used to trim between toe kick and floor
- Moldings may be shipped with the back corner mitered off
- Backs are unfinished
- Offered in 8' lengths

❖ CH ②
❖ HK ②
❖ MP ②
❖ RO ②
❖ LM ②
❖ TL ②
❖ TH ②

Radius Cabinet Molding

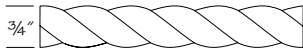


10a
RCM8
RCM8-6

- Solid wood
- Used as decorative molding above or below wall cabinets. Can also be used to conceal light fixtures
- Backs are unfinished
- Available in all finishes; highlights shipped standard finish
- Offered in 8' lengths

❖ CH ②
❖ HK ②
❖ MP ②
❖ RO ②
❖ LM ②
❖ TL ②
❖ TH ②

Rope Molding

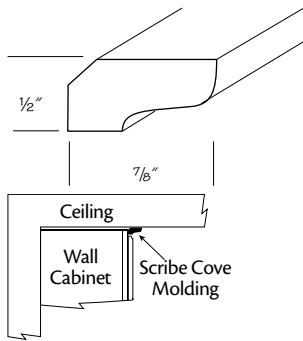


10b
RM8

- Solid wood
- 3/8" thick and 3/4" wide
- Half round; right twist
- Can be combined with Classic Crown Molding
- Backs are unfinished
- Offered in 8' lengths

❖ CH ②
❖ HK ②
❖ MP ②
❖ RO ②
❖ LM ②
❖ TL ②
❖ TH ②

Scribe Cove Molding

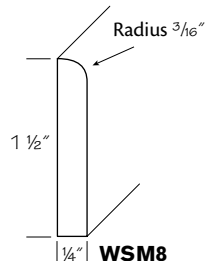
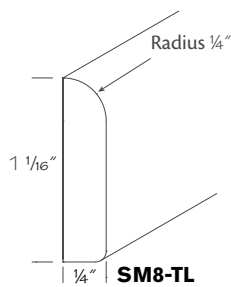
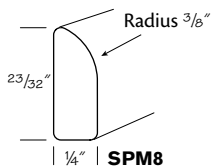
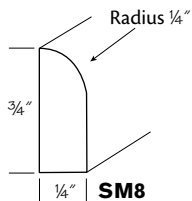


10c
SCV8
SCV8-25

- Solid wood
- Allow sufficient space between top of cabinet and soffit or ceiling to accommodate molding
- Backs are unfinished
- Available in all finishes; highlights shipped standard finish
- Offered in 8' lengths

❖ CH ②
❖ HK ②
❖ MP ②
❖ RO ②
❖ LM ②
❖ TL ②
❖ TH ②

Scribe Molding



10d
 Solid Wood
 ■ **SM8**
 ■ **SM8-63**
 Paper Wrapped
 ▲ **SPM8**
 ▲ **SPM8-100**
 10e
 Textured Laminate
 + **SM8-TL**
 Wide
 Solid Wood
 ■ **WSM8**
 ■ **WSM8-25**

- Available in all finishes; highlights shipped standard finish
- ▲ Only available in White, which is Medium Density Fiberboard (MDF) or plastic
- + Medium Density Fiberboard (MDF) wrapped in textured wood grain laminate; available in (TL) only; will match door and drawer front laminate

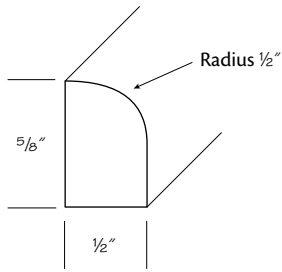
- Back and bottom are unfinished
- Offered in 8' lengths

❖ CH ②
❖ HK ②
❖ MP ②
❖ RO ②
❖ LM ②
❖ TL ②
❖ TH ②

Shoe Molding

10a

SHO8
SHO8-25



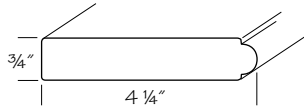
- Solid wood
- Used as inside corner molding or trim between toe kick and floor
- Backs are unfinished
- Available in all finishes; highlights shipped standard finish
- Offered in 8' lengths

- ❖ CH ②
- ❖ HK ②
- ❖ MP ②
- ❖ RO ②
- ❖ LM ②
- ❖ TL ②
- ❖ TH ②

Single Bead Pilaster

10a

SBP8



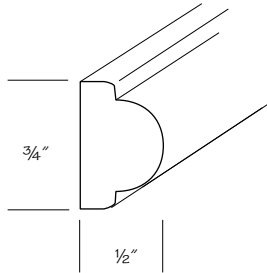
- Solid wood
- Used as decorative trim panel vertically between cabinets. Can also be used as a decorative valance
- Finished on all sides
- Offered in 8' lengths

- ❖ CH ②
- ❖ HK ②
- ❖ MP ②
- ❖ RO ②
- ❖ LM ②
- ❖ TL ②
- ❖ TH ②

Single Bead Trim

10a

SBT8



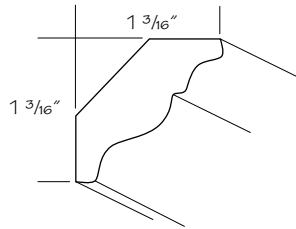
- Solid wood
- Used to trim the front edge of panels
- Can be combined with Classic Crown Molding
- Backs are unfinished
- Available in all finishes; highlights shipped standard finish
- Offered in 8' lengths

- ❖ CH ②
- ❖ HK ②
- ❖ MP ②
- ❖ RO ②
- ❖ LM ②
- ❖ TL ②
- ❖ TH ②

Soffit Crown Molding

10a

SCM8
SCM-SW10



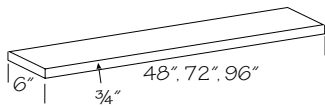
- Solid wood
- Allow sufficient space between top of cabinet and soffit or ceiling to accommodate molding
- Backs are unfinished
- Offered in 8' and 10' lengths

- ❖ CH ②
- ❖ HK ②
- ❖ MP ②
- ❖ RO ②
- ❖ LM ②
- ❖ TL ②
- ❖ TH ②

Solid Wood Stock

10a

SWS4
SWS6
SWS8

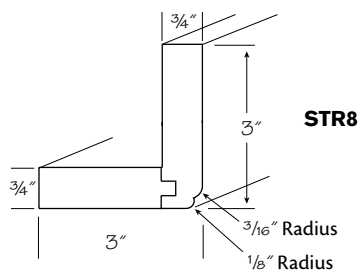


48" (4 ft.)
72" (6 ft.)
96" (8 ft.)

- 3/4" thick solid wood
- Grain direction runs lengthwise
- Can be used for valance, filler, shelf or other matching finish, cut-to-size applications
- Finished on both sides and both long edges
- Available in all finishes; highlights shipped standard finish
- Offered in individual 4', 6' or 8' lengths

- ❖ CH ②
- ❖ HK ②
- ❖ MP ②
- ❖ RO ②
- ❖ LM ②
- ❖ TL ②
- ❖ TH ②

Starter Molding

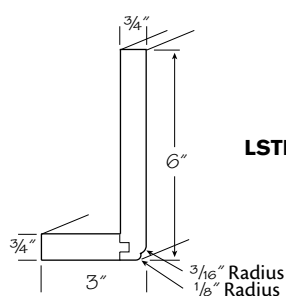


STR8

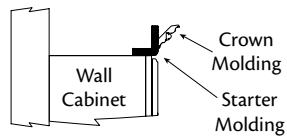
(10a)

Starter Molding
STR8

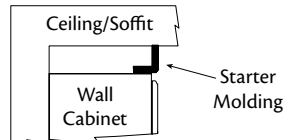
Large Starter Molding
LSTR8



LSTR8



Crown Molding
Starter Molding



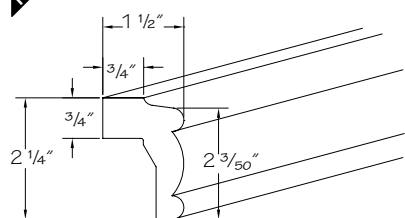
Ceiling/Soffit
Starter Molding

- Solid wood
- Used at top of wall and tall cabinets to allow attachment of crown molding or as a filler between cabinet and ceiling/soffit
- Shipped in one piece
- Backs are unfinished
- Offered in 8' lengths

❖ CH (2)
❖ HK (2)
❖ MP (2)
❖ RO (2)
❖ LM (2)
❖ TL (2)
❖ TH (2)

New

Traditional Light Rail



(10a)

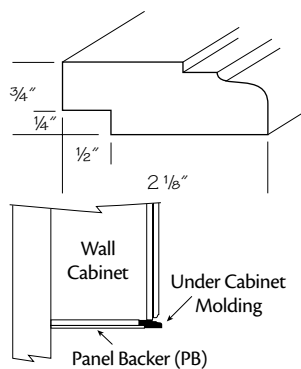
TLR8
TLR8-6

Grey color coding indicates new product, size or code.

- Solid wood
- Can be used under wall cabinets to conceal light fixtures
- Backs are unfinished
- Offered in 8' lengths

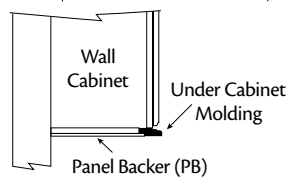
❖ CH (2)
❖ HK (2)
❖ MP (2)
❖ RO (2)
❖ LM (2)
❖ TL (2)
❖ TH (2)

Under Cabinet Molding



(10a)

UCM8
UCM8-11



Wall Cabinet
Under Cabinet Molding
Panel Backer (PB)

- Solid wood
- Can be used under wall cabinets to conceal light fixtures
- Can be combined with Panel Backer or Wall End Panel to create a flush color-matched underside
- Profile complements most door styles
- Finished on all sides
- Offered in 8' lengths

❖ CH (2)
❖ HK (2)
❖ MP (2)
❖ RO (2)
❖ LM (2)
❖ TL (2)
❖ TH (2)

Decorative Accents

Construction Options and Modifications

- ❖ Included as standard
- Available with an upcharge
- ☆ Available with exceptions

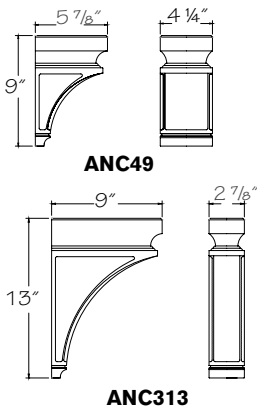
(Blank) **Not** available

Note: Textured Laminate will be stained or painted to match frame finish; Laminate and Thermofoil will be painted unless noted

One per carton

10a
PFT

CH	Cherry	②
HK	Hickory	②
MP	Maple	②
RO	Red Oak	②
LM	Laminate	②
TL	Textured Laminate	②
TH	Thermofoil	②



Ansel Corbel

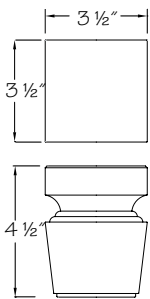
10a

- Small
ANC49
- **ANC49-UF**
- Large
ANC313
- **ANC313-UF**

■ Unfinished available in Maple only

- Solid wood
- Vertical wood grain
- Includes two recessed metal keyhole brackets
- Backs are unfinished

❖ CH	②
❖ HK	②
❖ MP	②
❖ RO	②
❖ LM	②
❖ TL	②
❖ TH	②



Ansel Foot

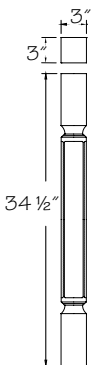
10a

- ANFT**
- **ANFT-UF**

■ Unfinished available in Cherry and Maple only

- Solid wood
- Vertical wood grain
- Matches toespace of height of base, tall, and vanity cabinets, except Universal Cabinets

❖ CH	②
❖ HK	②
❖ MP	②
❖ RO	②
❖ LM	②
❖ TL	②
❖ TH	②



Ansel Leg Base

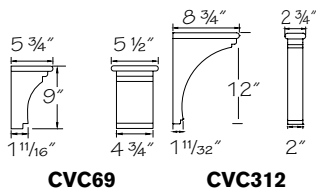
10a

- ANLB**
- **ANLB-UF**

● Unfinished available in Cherry and Maple only

- Solid wood
- Vertical wood grain

❖ CH	②
❖ HK	②
❖ MP	②
❖ RO	②
❖ LM	②
❖ TL	②
❖ TH	②



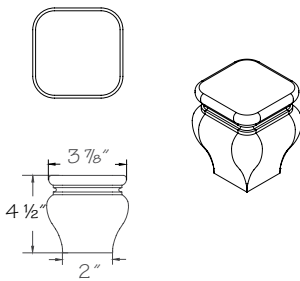
Cove Corbel

- Small
CVC69
■ **CVC69-UF**
- Large
CVC312
■ **CVC312-UF**

■ Unfinished available in Cherry and Maple only

- Solid wood
- Vertical wood grain
- Includes two recessed metal keyhole brackets

- ❖ CH (2)
- ❖ HK (2)
- ❖ MP (2)
- ❖ RO (2)
- ❖ LM (2)
- ❖ TL (2)
- ❖ TH (2)



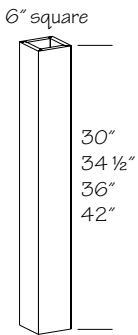
Cove Foot

- **CVFT**
■ **CVFT-UF**

■ Unfinished available in Cherry and Maple only

- Solid wood
- Vertical wood grain
- Matches toespace of height of base, tall, and vanity cabinets, except Universal Cabinets

- ❖ CH (2)
- ❖ HK (2)
- ❖ MP (2)
- ❖ RO (2)
- ❖ LM (2)
- ❖ TL (2)
- ❖ TH (2)

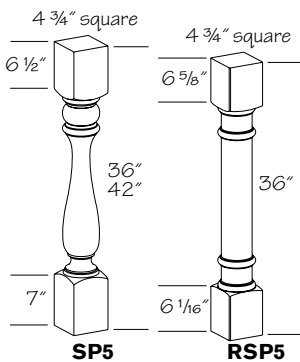


Plain Square Post

- **PSP6-30**
- **PSP6-34**
- **PSP6-36**
- **PSP6-42**

- Vertical wood grain
- For use as a decorative accent
- 1/8" thick radius corners
- 3/4" thick solid wood sides with 4 1/2" square hollow center
- Mitered corners provide the appearance of one piece solid wood
- Available in all finishes; highlights shipped standard finish

- ❖ CH (2)
- ❖ HK (2)
- ❖ MP (2)
- ❖ RO (2)
- ❖ LM (2)
- ❖ TL (2)
- ❖ TH (2)



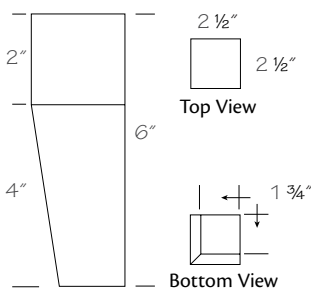
Spindles

- Spindle
■ **SP5-36**
■ **SP5-42**
■ **SP5-42-UF**
- Roman Spindle
■ **RSP5-36**
■ **RSP5-36-UF**

■ Unfinished available in Maple only

- Solid wood
- Vertical wood grain
- For use as a decorative accent
- 1/8" thick radius corners
- Available in all finishes; highlights shipped standard finish

- ❖ CH (2)
- ❖ HK (2)
- ❖ MP (2)
- ❖ RO (2)
- ❖ LM (2)
- ❖ TL (2)
- ❖ TH (2)



Tapered Foot

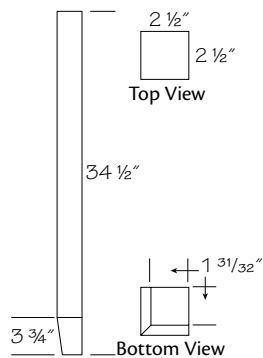
- **PFT**
■ **PFT-UF**

■ Unfinished available in Cherry, Maple and Red Oak only

- Solid wood
- Vertical wood grain
- Does **not** match toe space height of Base, Tall, Vanity or Universal cabinets; field trim
- Available in all finishes; highlights shipped standard finish

- ❖ CH (2)
- ❖ HK (2)
- ❖ MP (2)
- ❖ LM (2)
- ❖ TL (2)
- ❖ TH (2)

Tapered Leg Base

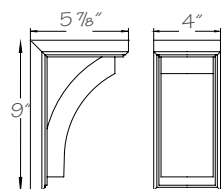


- ⑩
- PLB**
- **PLB-UF**
- Unfinished available in Cherry, Maple and Red Oak only

- Solid wood
- Vertical wood grain
- Matches height of base cabinets
- Trimmed to fit installation
- Available in all finishes; highlights shipped standard finish

- ❖ CH ②
- ❖ HK ②
- ❖ MP ②
- ❖ RO ②
- ❖ LM ②
- ❖ TL ②
- ❖ TH ②

Wincott Corbel

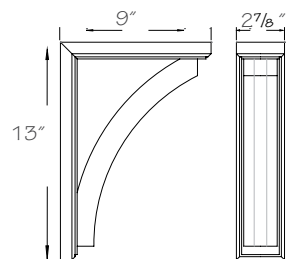


WNC49

- ⑩
- Small*
- WNC49**
- **WNC49-UF**
- Large*
- WNC313**
- **WNC313-UF**
- Unfinished available in Cherry and Maple only

- Solid wood
- Vertical wood grain
- Includes two recessed metal keyhole brackets

- ❖ CH ②
- ❖ HK ②
- ❖ MP ②
- ❖ RO ②
- ❖ LM ②
- ❖ TL ②
- ❖ TH ②



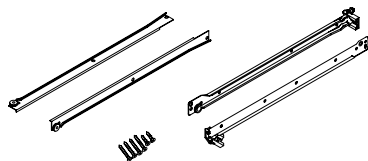
WNC313

Replacement Hardware

10a

GDEUMFESAL18

3/4 Extension Side Mount Roller Guide Kit

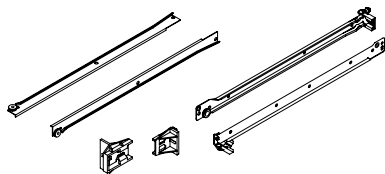


GDESM18KIT
GDESM21KIT
GDESM24KIT

10a

- 75 lbs. capacity
- White epoxy coated steel
- Kit includes left and right guides and mounting hardware
- 18 deep used on 18" deep cabinets
- 21 deep used on 21" deep cabinets
- 24 deep used on 24" deep cabinets
- One kit per carton

3/4 Extension Side Mount Roller Guide Peninsula Base Kit



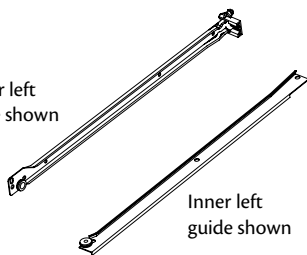
GDESMPB24KIT

10a

- 75 lbs. capacity
- White epoxy coated steel
- Kit includes left and right guides and mounting hardware
- Used on Peninsula Base (PB) cabinets
- One kit per carton

3/4 Extension Side Mount Roller Guides

Outer left
guide shown



Inner left
guide shown

10a

Inner Left
GDESMIL18
GDESMIL18-10
GDESMIL21
GDESMIL21-10
GDESMIL24
GDESMIL24-10

Inner Right
GDESMIR18
GDESMIR18-10
GDESMIR21
GDESMIR21-10
GDESMIR24
GDESMIR24-10

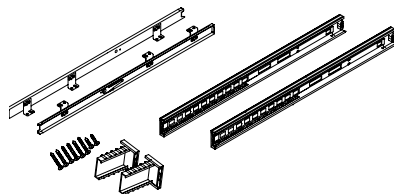
10a

Outer Left
GDESMOL18
GDESMOL18-10
GDESMOL21
GDESMOL21-10
GDESMOL24
GDESMOL24-10

Outer Right
GDESMOR18
GDESMOR18-10
GDESMOR21
GDESMOR21-10
GDESMOR24
GDESMOR24-10

- 75 lbs. capacity
- White epoxy coated steel
- 18 deep used on 18" deep cabinets
- 21 deep used on 21" deep cabinets
- 24 deep used on 24" deep cabinets
- Offered individually or quantities of 10

Full Extension Side Mount Ball Bearing Guide Kit

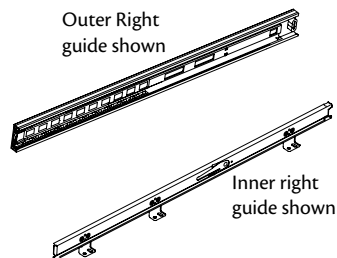


10a

21" Deep
GDEFESMBB21KIT
 24" Deep
GDEFESMBB24KIT

- 75 lbs. capacity
- Full extension guide, pulls out past the face frame
- Kit includes left and right guides and mounting hardware
- GDEFESMBB21KIT used on Desk File Drawer (DFD) cabinets in SST and PST constructions
- GDEFESMBB24KIT used on Base Butt Door-Full Extension Tray (BSD) cabinets with 2DF tray option
- One kit per carton

Full Extension Side Mount Ball Bearing Guides



10a

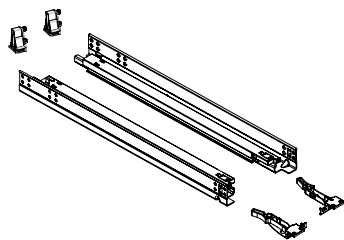
Inner Left
GDEFESMBBIL21
GDEFESMBBIL21-10
GDEFESMBBIL24
GDEFESMBBIL24-10

Inner Right
GDEFESMBBIR21
GDEFESMBBIR21-10
GDEFESMBBIR24
GDEFESMBBIR24-10

Outer
GDEFESMBBO21
GDEFESMBBO21-10
GDEFESMBBO24
GDEFESMBBO24-10

- 75 lbs. capacity
- Full extension guide, pulls out past the face frame
- 21 deep used on Desk File Drawer (DFD) cabinets in SST and PST constructions
- 24 deep used on Base Butt Door-Full Extension Tray (BSD) cabinets with 2DF tray option
- Offered individually or quantities of 10

Full Extension Under Mount SoftAction+ Guide Kit

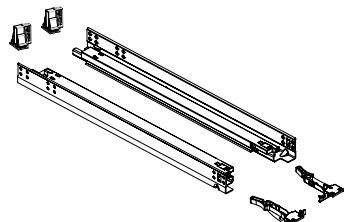


10a

GDEUMFESA18KIT
GDEUMFESA21KIT
GDEUMFESA24KIT

- 75 lbs. capacity
- Full extension guide, pulls out past the face frame
- Integrated SoftAction+ closing mechanism
- Kit includes left and right guides and mounting hardware
- Used on cabinets in SDT, PST and ADT constructions
- 18 deep used on 18" deep cabinets
- 21 deep used on 21" deep cabinets
- 24 deep used on 24" deep cabinets
- One kit per carton

Full Extension Under Mount SoftAction+ Peninsula Base Guide Kit

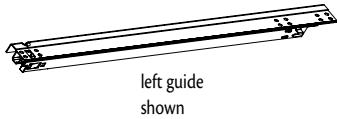


10a

GDEUMFESAPB24KIT

- 75 lbs. capacity
- Full extension guide, pulls out past the face frame
- Integrated SoftAction+ closing mechanism
- Used on cabinets in SDT, PST and ADT constructions
- 24 deep used on 24" deep cabinets
- One kit per carton

Full Extension Under Mount SoftAction+ Guides

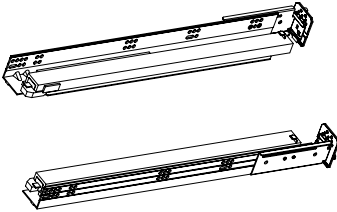


10a

Left
GDEUMFESAL18
GDEUMFESAL21
GDEUMFESAL24
Right
GDEUMFESAR18
GDEUMFESAR21
GDEUMFESAR24

- 75 lbs. capacity
- Full extension guide, pulls out past the face frame
- Integrated SoftAction+ closing mechanism
- Used on cabinets in SDT, PST and ADT constructions
- 18 deep used on 18" deep cabinets
- 21 deep used on 21" deep cabinets
- 24 deep used on 24" deep cabinets
- One kit per carton

Full Extension Heavy Duty Under Mount SoftAction+ Guide Set

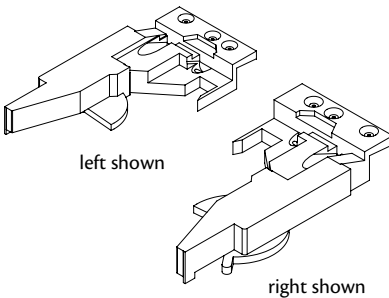


10a

GDEUMFESAHD24SET

- 75 lbs. capacity
- Full extension guide, pulls out past the face frame
- Integrated SoftAction+ closing mechanism
- Set includes left and right guides
- Used on Base Pots and Pans Storage (BPPS) cabinets
- One set per carton

Locking Device - Full Extension Heavy Duty Under Mount SoftAction+ Guides

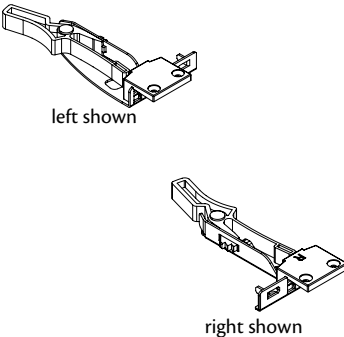


10a

LKDVUMFESAGDEHDL
LKDVUMFESAGDEHDR

- LKDVUMFESAGDEHDL attaches under left front corner of drawer core
- LKDVUMFESAGDEHDR attaches under right front corner of drawer core
- Used on Base Pots and Pans Storage (BPPS) cabinets
- One per carton

Locking Device - Full Extension Under Mount SoftAction+ Guides

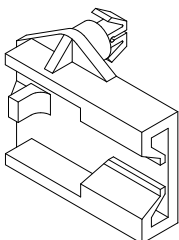


10a

Left
LKDVUMFESAGDEL
Right
LKDVUMFESAGDER

- LKDVUMFESAGDEL attaches under left front corner of drawer core
- LKDVUMFESAGDER attaches under right front corner of drawer core
- Used on cabinets in SDT, PST and ADT constructions
- One per carton

Rear Mounting Bracket - 3/4 Extension Side Mount Roller Guides

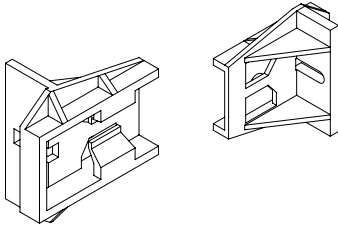


10a

RMBSMGDE
RMBSMGDE-25

- Attaches using the guide holes in the back of the cabinet
- For use with 3/4 Extension Side Mount Roller Guides
- Offered individually or quantities of 25 per carton

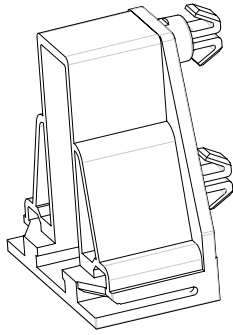
Rear Mounting Bracket - 3/4 Extension Side Mount Roller Guides Peninsula Base



10a
RMBSMGDEPB
RMBSMGDEPB-2

- Attaches to back frame of cabinet using a screw
- For use with Peninsula Base (PB) cabinets with 3/4 Extension Side Mount Roller Guides
- Offered individually or two per carton

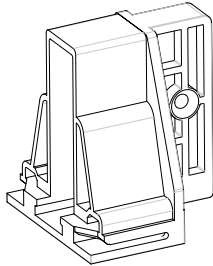
Rear Mounting Bracket - Full Extension Under Mount SoftAction+ Guides



10a
RMBUMFESAGDE-2

- Attaches using the guide holes in the back of the cabinet
- Used on cabinets in SDT, PST and ADT constructions
- Two per carton

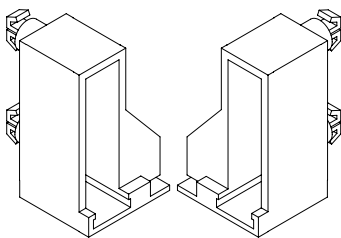
Rear Mounting Bracket - Full Extension Under Mount SoftAction+ Guides Peninsula Base



10a
RMBUMFESAGDEPB-2

- Attaches to back frame of cabinet using a screw
- Used on cabinets in SDT, PST and ADT constructions
- Two per carton

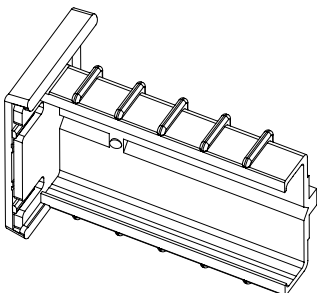
Rear Mounting Bracket - Full Extension Under Mount SoftAction+ Guides DKD



10a
RMBUMFESAGDEDKDSET

- Attaches using the guide holes in the back of the cabinet
- Used on Desk Knee Drawer (DKD) and Desk Knee Drawer Trimmable (DKDT) cabinets in SDT, PDT and ADT constructions
- Includes a left and right rear mounting bracket
- One set per carton

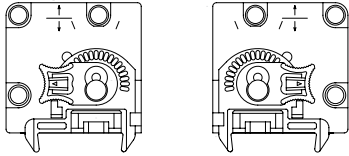
Rear Mounting Bracket - Full Extension Side Mount Ball Bearing Guides



10a
RMBFESMBBGDE

- Attaches using the guide holes in the back of the cabinet
- Used on Desk File Drawer (DFD) cabinets in SST and PST constructions
- Used on Base Butt Door-Full Extension Tray (BSD) cabinets with 2DF tray option
- One per carton

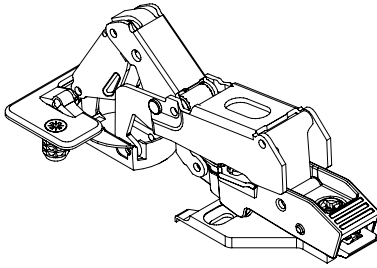
Rear Adjustment Adapter - Full Extension Heavy Duty Under Mount SoftAction+ Guides



⑩a
RAAUMFESAGDEHSET

- Attaches using the guide holes in the back of the cabinet
- Used on Base Pots and Pans Storage (BPPS) cabinets
- Includes a left and right rear adjustment adapter
- One set per carton

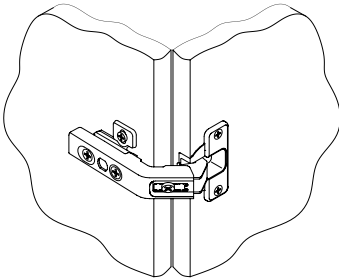
170 Degree Hinge



⑩a
HINFRM2DRBIFOLD

- Nickel plated finish
- Includes hinge and mounting plate
- Used on traditional, full overlay Base Corner Revolving, Base Corner Fixed Shelf and Wall Easy Reach cabinets
- Offered individually

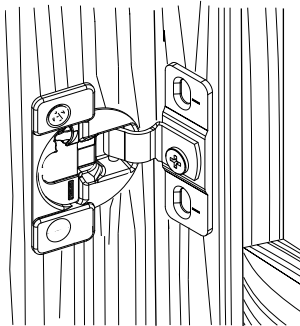
Bi-Fold Hinge



⑩a
HINDR2DRBIFOLD

- Nickel plated finish
- Includes hinge and mounting plate
- Used on traditional, full overlay Base Corner Revolving, Base Corner Fixed Shelf and Wall Easy Reach cabinets
- Offered individually

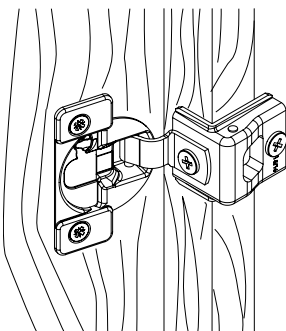
Face Mount Hinge



⑩a
Face Mount Hinge SoftAction
HINSCFM-1PR
HINSCFM-10PR
Face Mount Hinge
HINFM-1PR
HINFM-10PR

- Nickel plated finish
- Used on traditional and full overlay Wall Microwave Cabinet (WMC) and Oven Cabinet Universal (OCU) cabinets
- Used on traditional and full overlay Oven Cabinet Single (OCS) cabinets with painted finishes
- SoftAction hinges have soft-close action; standard hinges do *not*
- Offered as a pair or 10 pairs per carton

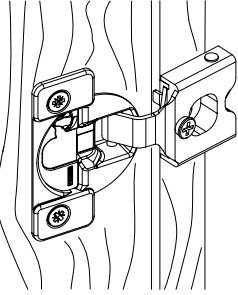
Full Overlay 6 Way Hinge



⑩a
SoftAction Hinge
HINSCFOL6WY-1PR
HINSCFOL6WY-10PR
6 Way Hinge
HINFOL6WY-1PR
HINFOL6WY-10PR

- Nickel plated finish
- Used on full overlay cabinets
- 6 way door adjustment
- SoftAction hinges have soft-close action; standard hinges do *not*
- Includes hinges and mounting screws
- Offered as a pair or 10 pairs per carton

Traditional Overlay 6 Way Hinge

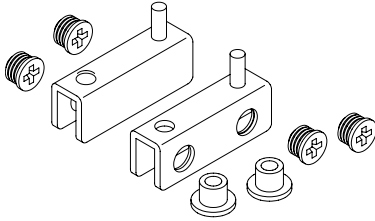


10s

SoftAction
HIN SCTOL6WY-1PR
HIN SCTOL6WY-10PR
6 Way Hinge
HIN TOL6WY-1PR
HIN TOL6WY-10PR

- Nickel plated finish
- Used on Traditional Overlay cabinets
- 6 way door adjustment
- SoftAction hinges have soft-close action; standard hinges do **not**
- Includes hinges and mounting screws
- Offered as a pair or 10 pairs per carton

Medicine Cabinet Pack Hinge

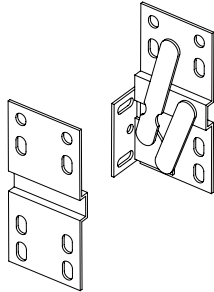


10s

HIN MCPK
HIN MCPK-10

- Nickel plated finish
- Includes upper and lower hinge, bushings and mounting screws
- Used on Medicine Cabinet (MC) and Tri-View Medicine Cabinet (TVMC) cabinets
- Offered individually or quantities of 10

Utility Tray Hinge

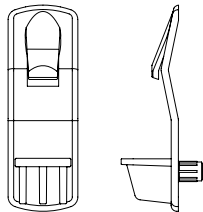


10s

HIN TOST-1PR

- Nickel plated finish
- Includes left/right hinges and mounting screws
- Used on Sink Base (SB) w/Utility Tray cabinets and Utility Tray Kits (UTK)
- Offered as a pair

3/4" Shelf Clip

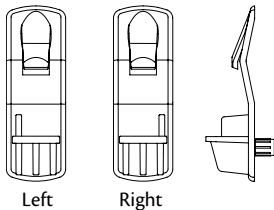


10s

SHCLP34
SHCLP34-20
SHCLP34-100

- Clear plastic locking clip
- Offered individually or quantities of 20 and 100

3/4" Shelf Clip with Stop



Left

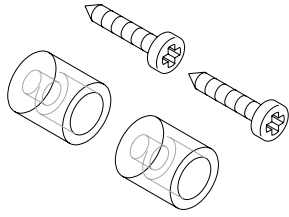
Right

10s

Left
SHCLPLK34L
SHCLPLK34L-20
Right
SHCLPLK34R
SHCLPLK34R-20

- Clear plastic locking clip with front edge restraint
- Used for base cabinets with Half Depth Shelf Option
- Offered individually or quantities of 20

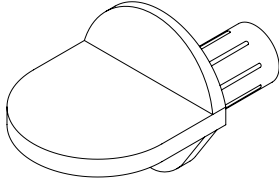
Shelf Support Back Pack



10s
SHSUPBPBK
SHSUPBPBK-10
SHSUPBPBK-100

- Clear plastic shelf support back
- Includes 2 supports and 2 screws per pack
- Used to support the back edge of shelf, attaches to back of cabinet with a screw
- Offered individually or quantities of 10 or 100

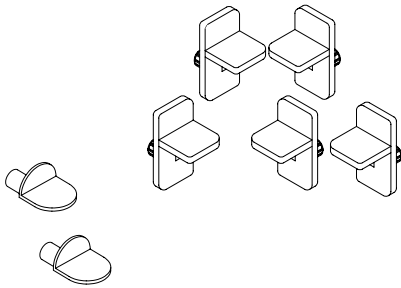
Shelf Support Center



10s
SHSUPC
SHSUPC-10

- Clear plastic center shelf support
- Used to support the front edge of shelf, insert into hole in back of center stile
- Offered individually or quantities of 10

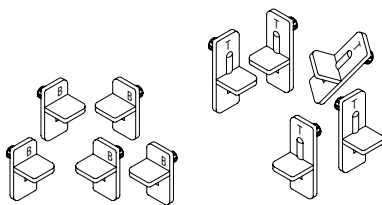
Shelf Support Pack



10s
SHSUPPK
SHSUPPK-25

- Clear plastic shelf support/center shelf support
- Includes 5 supports and 2 center shelf support
- Used in Bookcase (BK) cabinets
- Offered individually or quantities of 25 per carton

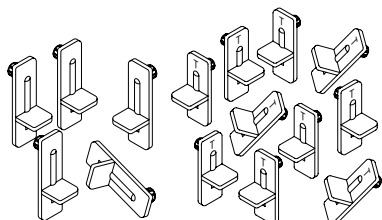
Shelf Support Pack MG/PM - 24" and 30" High



10s
SHSUPPKMGD24/30

- Clear plastic shelf support
- Shelf supports are offset to allow shelves to line up with door mullions
- Includes 15 shelf supports per pack
- Used in 24" and 30" high Wall Cabinets with the Mullion Glass and Prepared for Mullion Glass options
- One per carton

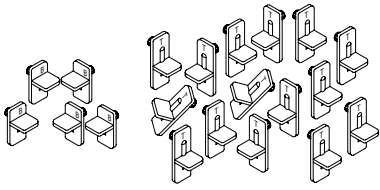
Shelf Support Pack MG/PM - 36" High



10s
SHSUPPKMGD36

- Clear plastic shelf support
- Shelf supports are offset to allow shelves to line up with door mullions
- Includes 15 shelf supports per pack
- Used in 36" high Wall Cabinets with the Mullion Glass and Prepared for Mullion Glass options
- One per carton

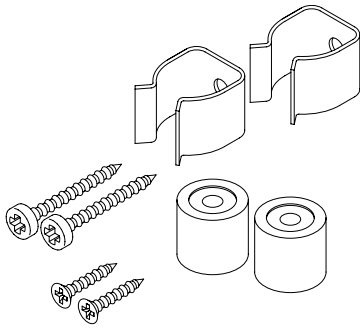
Shelf Support Pack MG/PM - 39" and 42" High



^(10s)
SHSUPPKMGD39/42

- Clear plastic shelf support
- Shelf supports are offset to allow shelves to line up with door mullions
- Includes 20 shelf supports per pack
- Used in 39" and 42" high Wall Cabinets with the Mullion Glass and Prepared for Mullion Glass options
- One per carton

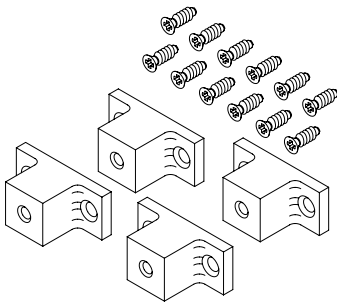
Vent Clip Pack



^(10s)
VNTCLPPK
VNTCLPPK-25

- Used to attach false drawer fronts on Sink Base and select Vanity Cabinets
- Includes two clips, two post and mounting screws per pack
- Offered individually or quantities of 25 per carton

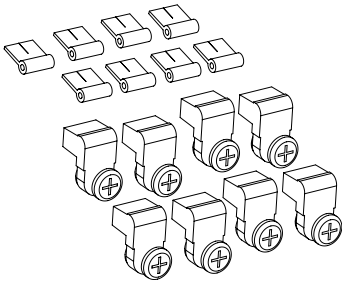
Hardware Pack



^(10s)
UCTRASPAPK18.3
UCTRASPAPK18.3-10

- Used for tray kits
- Utilize pre-drilled holes in the end panels of Utility and Vanity Linen Cabinets
- Hardware pack contains 4 T-spacers and screws. Available in single packs or quantities of 10

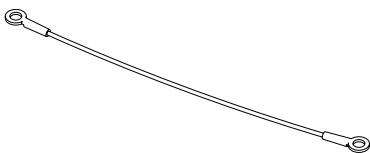
Door Insert Clip



^(10s)
DIC

- For use with Prepared for Mullion Glass (PM) option, Whitebay II
- 8 pieces of welt cord and 8 glass retaining buttons, enough for a single 42" High or shorter door

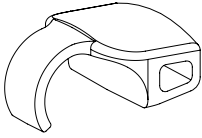
Door Stop Kit



^(10s)
DSTK

- Nylon coated stainless wire rope
- Stainless eyes with aluminum collar
- Mounting hardware included

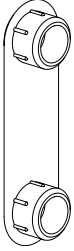
Soft-close Angle Restrictor Clip



10a
SCARC-4
SCARC-10

- Reduces opening angle to 85°
- Works with soft-close hinge, traditional and full overlay door styles
- Cannot be used in cabinets that are installed with accessories, such as trays

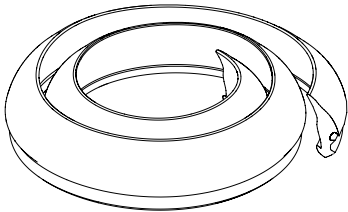
Back Plugs



10a
BACKPLUG2H-10
BACKPLUG2H-100

- Clear plastic plugs for base and vanity cabinet back panel factory drilled holes
- Each plug fills a pair of 10mm holes
- Offered individually or quantities of 10 and 100

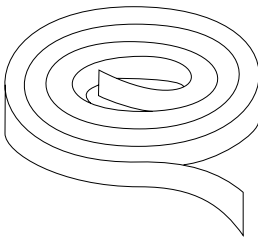
Door Insert Retaining Strip



10a
DIRS

- For use with Prepared for Glass (PG), Prepared for Mullion Glass (PM), Prairie Glass (PR), and Prepared for Prairie (PP) options, used with all door styles except Whitebay II
- Available in rolls of 10 feet

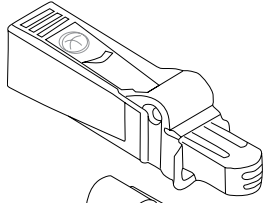
Edge Banding



10a
EB
Textured Laminate
EB-TL

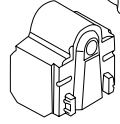
- Used for finishing edges of panels
- Available in all finishes
- Roll is 25 foot long
- EB:
Melamine edge banding with pre-applied hot melt adhesive
Use clothes iron to apply
15/16" wide x 14 mil thick
- EB-TL:
For use with Lanielle door style. Cavern and Whisper finishes
Textured PVC edge banding with pre-applied adhesive back
"Peel and Stick" application
7/8" wide x 1mm thick
- One roll per carton

SoftAction Door Hardware

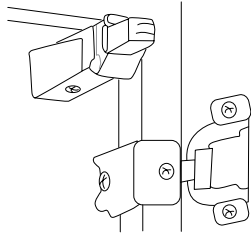


⑩a
SADO

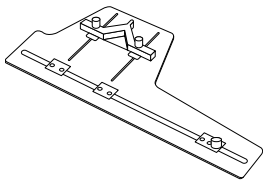
- Soft-closing technology provides smooth and silent closure of door
- One required per door; PC, U, VLC and UF cabinets require two
- Mounting hardware included
- One per carton
- **Note:** Requires field installation



Partial overlay
spacer and screws



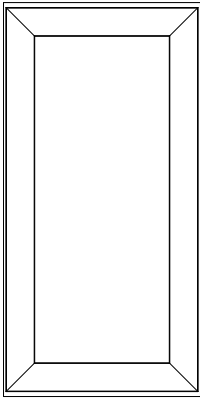
Hardware Template Kit Universal



⑩b
HTK-U

- Handy drill jig for universal hardware drilling
- High-impact grey polycarbonate template with hardened steel drill bushings
- Adjustable for use with all drawers and doors
- One per carton

Laminate Aluminum Accessory Glass Door and Prep for Glass Door

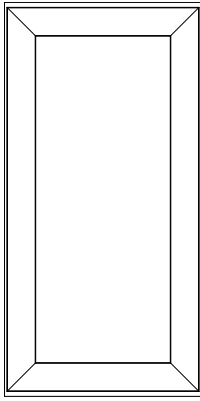


- Accessory “accent” doors
- Available in full overlay door sizes only
- Laminate wrapped Medium Density Fiberboard (MDF) faux aluminum with 2 3/16” wide stiles and rails
- Mitered corners
- Available with factory installed 1/8” thick tempered glass (GD). Glass is held in place with a reusable clear retaining strip along all four edges
- Available Prep for Glass (PG) option intended for 1/8” thick inserts. Does **not** include retaining strips. Door Insert Retaining Strip (DIRS) sold separately
- Doors have a 90° return with no reverse bevel
- Available drilled for hinges (ADO). Invertible for left or right hinging
- Hinges **not** included. Sold separately
- Available without hinge drilling (ANDO)
- Decorative hardware is required

Laminate Aluminum Accessory Glass Door and Prep for Glass Door

Cabinet	Accessory Door Drilled	Accessory Door Non Drilled	Door Size	Doors Per Cabinet	Hinges Per Door	Hinge SoftAction	Total Hinges Per Cabinet
PW3030	ADO1530AL-FO	ANDO1530AL-FO	14 5/8 x 29 1/4	4	2	HINSCFOL6WY-1PR	8
W1530	ADO1530AL-FO	ANDO1530AL-FO	14 5/8 x 29 1/4	1	2	HINSCFOL6WY-1PR	2
W3030	ADO1530AL-FO	ANDO1530AL-FO	14 5/8 x 29 1/4	2	2	HINSCFOL6WY-1PR	4
WA2430	ADO1530AL-FO	ANDO1530AL-FO	14 5/8 x 29 1/4	1	2	HINSCFOL6WY-1PR	2
WA2730	ADO1530AL-FO	ANDO1530AL-FO	14 5/8 x 29 1/4	1	2	HINSCFOL6WY-1PR	2
W1536	ADO1536AL-FO	ANDO1536AL-FO	14 5/8 x 35 1/4	1	2	HINSCFOL6WY-1PR	2
W3036	ADO1536AL-FO	ANDO1536AL-FO	14 5/8 x 35 1/4	2	2	HINSCFOL6WY-1PR	4
WA2436	ADO1536AL-FO	ANDO1536AL-FO	14 5/8 x 35 1/4	1	2	HINSCFOL6WY-1PR	2
WA2736	ADO1536AL-FO	ANDO1536AL-FO	14 5/8 x 35 1/4	1	2	HINSCFOL6WY-1PR	2
W1539	ADO1539AL-FO	ANDO1539AL-FO	14 5/8 x 38 1/4	1	3	HINSCFOL6WY-1PR	3
WA2439	ADO1539AL-FO	ANDO1539AL-FO	14 5/8 x 38 1/4	1	3	HINSCFOL6WY-1PR	3
WA2739	ADO1539AL-FO	ANDO1539AL-FO	14 5/8 x 38 1/4	1	3	HINSCFOL6WY-1PR	3
W1542	ADO1542AL-FO	ANDO1542AL-FO	14 5/8 x 41 1/4	1	3	HINSCFOL6WY-1PR	3
W3042	ADO1542AL-FO	ANDO1542AL-FO	14 5/8 x 41 1/4	2	3	HINSCFOL6WY-1PR	6
WA2442	ADO1542AL-FO	ANDO1542AL-FO	14 5/8 x 41 1/4	1	3	HINSCFOL6WY-1PR	3
WA2742	ADO1542AL-FO	ANDO1542AL-FO	14 5/8 x 41 1/4	1	3	HINSCFOL6WY-1PR	3
W1812	ADO1812AL-FO	ANDO1812AL-FO	17 5/8 x 11 1/4	1	2	HINSCFOL6WY-1PR	2
W1815	ADO1815AL-FO	ANDO1815AL-FO	17 5/8 x 14 1/4	1	2	HINSCFOL6WY-1PR	2
PW3618	ADO1818AL-FO	ANDO1818AL-FO	17 5/8 x 17 1/4	4	2	HINSCFOL6WY-1PR	8
W1818	ADO1818AL-FO	ANDO1818AL-FO	17 5/8 x 17 1/4	1	2	HINSCFOL6WY-1PR	2
W3618	ADO1818AL-FO	ANDO1818AL-FO	17 5/8 x 17 1/4	2	2	HINSCFOL6WY-1PR	4
WR3618	ADO1818AL-FO	ANDO1818AL-FO	17 5/8 x 17 1/4	2	2	HINSCFOL6WY-1PR	4
PW1824	ADO1824AL-FO	ANDO1824AL-FO	17 5/8 x 22 3/4	2	2	HINSCFOL6WY-1PR	4
PW3624	ADO1824AL-FO	ANDO1824AL-FO	17 5/8 x 22 3/4	4	2	HINSCFOL6WY-1PR	8
W1824	ADO1824AL-FO	ANDO1824AL-FO	17 5/8 x 22 3/4	1	2	HINSCFOL6WY-1PR	2
W3624	ADO1824AL-FO	ANDO1824AL-FO	17 5/8 x 22 3/4	2	2	HINSCFOL6WY-1PR	4
WR3624	ADO1824AL-FO	ANDO1824AL-FO	17 5/8 x 22 3/4	2	2	HINSCFOL6WY-1PR	4
PW1830	ADO1830AL-FO	ANDO1830AL-FO	17 5/8 x 29 1/4	2	2	HINSCFOL6WY-1PR	4
PW3630	ADO1830AL-FO	ANDO1830AL-FO	17 5/8 x 29 1/4	4	2	HINSCFOL6WY-1PR	8
W1830	ADO1830AL-FO	ANDO1830AL-FO	17 5/8 x 29 1/4	1	2	HINSCFOL6WY-1PR	2
W3630	ADO1830AL-FO	ANDO1830AL-FO	17 5/8 x 29 1/4	2	2	HINSCFOL6WY-1PR	4
W1836	ADO1836AL-FO	ANDO1836AL-FO	17 5/8 x 35 1/4	1	2	HINSCFOL6WY-1PR	2

Laminate Aluminum Accessory Glass Door and Prep for Glass Door Continued



- Accessory “accent” doors
- Available in full overlay door sizes only
- Laminate wrapped Medium Density Fiberboard (MDF) faux aluminum with 2 3/16” wide stiles and rails
- Mitered corners
- Available with factory installed 1/8” thick tempered glass (GD). Glass is held in place with a reusable clear retaining strip along all four edges
- Available Prep for Glass (PG) option intended for 1/8” thick inserts. Does **not** include retaining strips. Door Insert Retaining Strip (DIRS) sold separately
- Doors have a 90° return with no reverse bevel
- Available drilled for hinges (ADO). Invertible for left or right hinging
- Hinges **not** included. Sold separately
- Available without hinge drilling (ANDO)
- Decorative hardware is required

Laminate Aluminum Accessory Glass Door and Prep for Glass Door

Cabinet	Accessory Door Drilled	Accessory Door Non Drilled	Door Size	Doors Per Cabinet	Hinges Per Door	Hinge SoftAction	Total Hinges Per Cabinet
W3636	ADO1836AL-FO	ANDO1836AL-FO	17 5/8 x 35 1/4	2	2	HINSCFOL6WY-1PR	4
W1842	ADO1842AL-FO	ANDO1842AL-FO	17 5/8 x 41 1/4	1	3	HINSCFOL6WY-1PR	3
W3642	ADO1842AL-FO	ANDO1842AL-FO	17 5/8 x 41 1/4	2	3	HINSCFOL6WY-1PR	6
W2124	ADO2124AL-FO	ANDO2124AL-FO	20 5/8 x 22 3/4	1	2	HINSCFOL6WY-1PR	2
W2130	ADO2130AL-FO	ANDO2130AL-FO	20 5/8 x 29 1/4	1	2	HINSCFOL6WY-1PR	2
W2136	ADO2136AL-FO	ANDO2136AL-FO	20 5/8 x 35 1/4	1	2	HINSCFOL6WY-1PR	2
W2142	ADO2142AL-FO	ANDO2142AL-FO	20 5/8 x 41 1/4	1	3	HINSCFOL6WY-1PR	3
W2430	ADO2430AL-FO	ANDO2430AL-FO	23 5/8 x 29 1/4	1	2	HINSCFOL6WY-1PR	2
W2436	ADO2436AL-FO	ANDO2436AL-FO	23 5/8 x 35 1/4	1	2	HINSCFOL6WY-1PR	2
W2442	ADO2442AL-FO	ANDO2442AL-FO	23 5/8 x 41 1/4	1	3	HINSCFOL6WY-1PR	3
PW3018B	ADO3018BAL-FO	ANDO3018BAL-FO	14 3/4 x 17 1/4	4	2	HINSCFOL6WY-1PR	8
W3018wB	ADO3018BAL-FO	ANDO3018BAL-FO	14 3/4 x 17 1/4	2	2	HINSCFOL6WY-1PR	4
WR3018B	ADO3018BAL-FO	ANDO3018BAL-FO	14 3/4 x 17 1/4	2	2	HINSCFOL6WY-1PR	4
PW3024B	ADO3024BAL-FO	ANDO3024BAL-FO	14 3/4 x 22 3/4	4	2	HINSCFOL6WY-1PR	8
W3024B	ADO3024BAL-FO	ANDO3024BAL-FO	14 3/4 x 22 3/4	2	2	HINSCFOL6WY-1PR	4
PW3030B	ADO3030BAL-FO	ANDO3030BAL-FO	14 3/4 x 29 1/4	4	2	HINSCFOL6WY-1PR	8
W3030B	ADO3030BAL-FO	ANDO3030BAL-FO	14 3/4 x 29 1/4	2	2	HINSCFOL6WY-1PR	4
W3036B	ADO3036BAL-FO	ANDO3036BAL-FO	14 3/4 x 35 1/4	2	2	HINSCFOL6WY-1PR	4
W3042B	ADO3042BAL-FO	ANDO3042BAL-FO	14 3/4 x 41 1/4	2	3	HINSCFOL6WY-1PR	6
W3330B	ADO3330BAL-FO	ANDO3330BAL-FO	16 1/4 x 29 1/4	2	2	HINSCFOL6WY-1PR	4
W3336B	ADO3336BAL-FO	ANDO3336BAL-FO	16 1/4 x 35 1/4	2	2	HINSCFOL6WY-1PR	4
W3342B	ADO3342BAL-FO	ANDO3342BAL-FO	16 1/4 x 41 1/4	2	3	HINSCFOL6WY-1PR	6
PW3618B	ADO3618BAL-FO	ANDO3618BAL-FO	17 3/4 x 17 1/4	4	2	HINSCFOL6WY-1PR	8
W3618B	ADO3618BAL-FO	ANDO3618BAL-FO	17 3/4 x 17 1/4	2	2	HINSCFOL6WY-1PR	4
WR3618B	ADO3618BAL-FO	ANDO3618BAL-FO	17 3/4 x 17 1/4	2	2	HINSCFOL6WY-1PR	4
PW3624B	ADO3624BAL-FO	ANDO3624BAL-FO	17 3/4 x 22 3/4	4	2	HINSCFOL6WY-1PR	8
W3624B	ADO3624BAL-FO	ANDO3624BAL-FO	17 3/4 x 22 3/4	2	2	HINSCFOL6WY-1PR	4
WR3624B	ADO3624BAL-FO	ANDO3624BAL-FO	17 3/4 x 22 3/4	2	2	HINSCFOL6WY-1PR	4
PW3630B	ADO3630BAL-FO	ANDO3630BAL-FO	17 3/4 x 29 1/4	4	2	HINSCFOL6WY-1PR	8
W3630B	ADO3630BAL-FO	ANDO3630BAL-FO	17 3/4 x 29 1/4	2	2	HINSCFOL6WY-1PR	4
W3636B	ADO3636BAL-FO	ANDO3636BAL-FO	17 3/4 x 35 1/4	2	2	HINSCFOL6WY-1PR	4
W3639B	ADO3639BAL-FO	ANDO3639BAL-FO	17 3/4 x 38 1/4	2	3	HINSCFOL6WY-1PR	6
W3642B	ADO3642BAL-FO	ANDO3642BAL-FO	17 3/4 x 41 1/4	2	3	HINSCFOL6WY-1PR	6

Touch Up Materials

10a

CCK



Cabinet Care Kit

10a

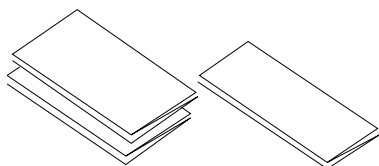
CCK

- One 8 oz. squeeze bottle of concentrated wood cleaner
- One 8 oz. squeeze bottle of cabinet/furniture polish and restorer
- Two 13" x 12" cleaning and polishing cloths
- One 17" x 13" dusting cloth

Cabinet Cleaning and Polishing Cloths

10a

CCPC

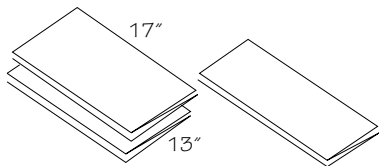


- 13" x 12" cleaning and polishing cloths
- 25 per carton
- Direct ship program

Cabinet Dusting Cloths

10a

CDC

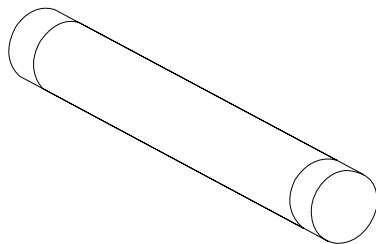


- Treated to pick up and hold dust within cloth
- Six per carton
- Direct ship program

Fill Stick

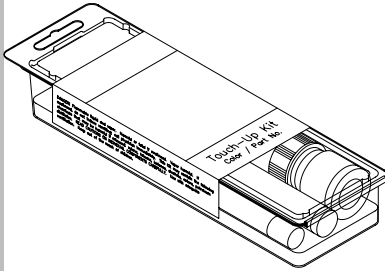
10a

FS
FS-12



- Matching putty crayon
- Available in all finishes
- Offered individually or 12 per carton

Touch Up Kit



10s
TUK

- Available in all finishes
- Used for final touch up and detailing
- Kit includes Touch Up Pen (TP), Fill Stick (FS), a bottle of touch up topcoat and a plastic storage case
- One per carton



Touch Up Pen

10s
TP
TP-12

- Felt tip marker with matching stain or paint
- Available in all finishes
- Offered individually or 12 per carton



Touch Up Spray Can Primer

10s
TSCP
TSCP-12

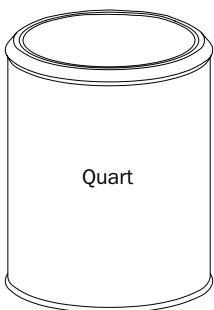
- Used as part of the process for final touch up of painted finishes only
- For use with Touch Up Spray Can Topcoat (TSCT)
- 13 oz. aerosol spray can
- Offered individually or 12 per carton
- Direct ship program



Touch Up Spray Can Topcoat

10s
TSCT
TSCT-12

- Touch up topcoat paint for painted finishes
- For use with Touch Up Spray Can Primer (TSCP)
- 13 oz. aerosol spray can
- Offered individually or 12 per carton
- Direct ship program



Touch Up Quart

10s
Quart Stain
QST
Quart Paint
QP
Quart Highlight
QGL
Quart Clear Sealer/Topcoat
QCST

- Matching stain, paint, highlight and clear sealer/topcoat
- Available in quarts only
- Direct ship program

Stain, Highlight and Paint Direct Ship Information

Amaretto w/Java Highlight

- Cherry Amaretto Stain
- Dark Brown Highlight
- Clear Sealer/Topcoat

Chiffon w/Desert Highlight

- Chiffon Paint
- Medium Brown Highlight
- Clear Sealer/Topcoat

Chiffon w/Tuscan Highlight

- Chiffon Paint
- Light Grey Highlight
- Clear Sealer/Topcoat

Cotton w/Java Highlight

- Cotton Paint
- Sienna (dark brown) Highlight
- Clear Sealer/Topcoat

Cotton w/Tuscan Highlight

- Cotton Paint
- Light Grey Highlight
- Clear Sealer/Topcoat

Graphite w/Desert Highlight

- Graphite Paint
- Medium Brown Highlight
- Clear Sealer/Topcoat

Graphite w/Tuscan Highlight

- Graphite Paint
- Light Grey Highlight
- Clear Sealer/Topcoat

Mist w/Desert Highlight

- Mist Paint
- Medium Brown Highlight
- Clear Sealer/Topcoat

Mist w/Tuscan Highlight

- Mist Paint
- Light Grey Highlight
- Clear Sealer/Topcoat

Natural w/Java Highlight

- Dark Brown Highlight
- Clear Sealer/Topcoat

Nightfall w/Ebony Highlight

- Nightfall Paint
- Charcoal (black) Highlight
- Clear Sealer/Topcoat

Sable w/Ebony Highlight

- Maple Sable Stain
- Charcoal (Black) Highlight
- Clear Sealer/Topcoat

Shale w/Desert Highlight

- Shale Paint
- Medium Brown Highlight
- Clear Sealer/Topcoat

Shale w/Ebony Highlight

- Shale Paint
- Charcoal (black) Highlight
- Clear Sealer/Topcoat

Toffee w/Java Highlight

- Maple Toffee Stain
- Dark Brown Highlight
- Clear Sealer/Topcoat

This listing represents the matching stain, paint and highlight, as well as clear sealer/topcoat needed to reproduce our finishes.

Available in quarts only. The stains are a “two-step” process, requiring first the application of the hand-wipe stain, followed by the application of the clear sealer/topcoat. Instructions and safety data sheets are packaged with each can of stain or clear sealer/topcoat.

Each stain has been developed for a specific wood specie, and is listed within the stain name, i.e., Cherry Amaretto. If a stain is applied to a wood specie other than it was originally formulated for the color can be expected to have a different appearance. For the color “Natural”, the sealer/topcoat provides the same results as our facilities.

For optimum in-field color matches, it is recommended that the clear sealer/topcoat be applied following stain application.

There is **no** warranty on stains or items stained outside our facilities.

Important Notes:

The clear sealer/topcoat includes UV inhibitors. **Not** all sealers/topcoats are clear, and using a formula from another source could alter the appearance and color of the wood.

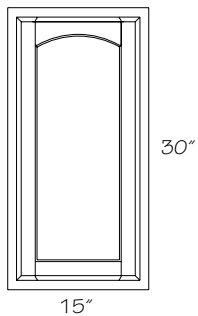
Items (material) on this page will **not** ship with your cabinet order but will ship directly from our supplier.

Sales Doors

10a

SLDO14.75X11.25

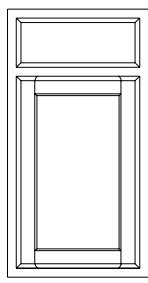
Door and Frame Assembly Sales Samples



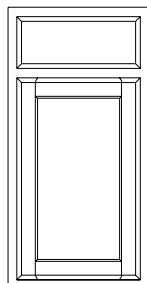
ACCESSDFAW1530L

10a
10c
ACCESSDFAVB12
ACCESSDFAB15
ACCESSDFAW1530 L

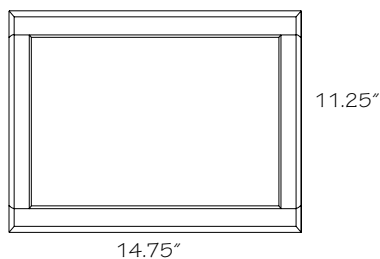
- Available in all door styles
- Fits on carousels
- Door and drawer front sizes vary depending on full or partial overlay
- ACCESSDFAVB12 is the face frame/door/drawer front from a VB12 vanity cabinet
- One per carton



ACCESSDFAVB12



ACCESSDFAB15



Sales Door

10a
SLDO14.75X11.25

- Available in all door styles, species and finishes
- Includes door only
- One per carton

How to Use This Section

This section lists all replacement doors and drawer fronts by their nomenclature. This section also details the dimensions of each door in the overlays available.

Accessory Non-Drilled Door Information (ANDO)

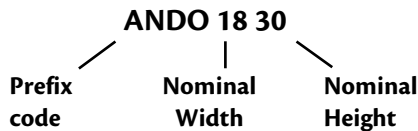
Accessory non-drilled doors are not prepared for hinges.

Accessory non-drilled doors designated with an * symbol are available in Glass Door (GD), Prepared for Glass Door (PG), Mullion Glass (MG), Prepared for Mullion Glass (PM), Prairie Glass (PR) and Prepared for Prairie Glass (PP).

Accessory non-drilled doors designated with an ♦ symbol are available in Glass Door (GD), Prepared for Glass Door (PG), Mullion Glass (MG) and Prepared for Mullion Glass (PM).

Accessory non-drilled doors designated with an ■ symbol are available in Prepared for Glass Door (PG) and Prepared for Mullion Glass (PM).

Accessory non-drilled doors are coded for easy reference. The prefix indicates door and usage. The first two digits indicate nominal width and the second two digits indicate nominal height.



Replacement Door and Drawer Front Information (RDO and RDF)

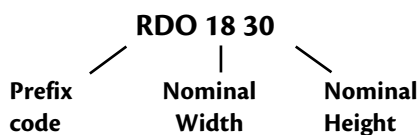
Replacement doors are prepared for hinges. Replacement doors and drawer fronts are shipped with pliable bumpers attached.

Replacement doors designated with an * symbol are available in Glass Door (GD), Prepared for Glass Door (PG), Mullion Glass (MG), Prepared for Mullion Glass (PM), Prairie Glass (PR) and Prepared for Prairie Glass (PP).

Replacement doors designated with an ♦ symbol are available in Glass Door (GD), Prepared for Glass Door (PG), Mullion Glass (MG) and Prepared for Mullion Glass (PM).

Replacement doors designated with an ■ symbol are available in Prepared for Glass Door (PG) and Prepared for Mullion Glass (PM).

Replacement doors and drawer fronts are coded for easy reference. The prefix indicates door or drawer and usage. For replacement doors the first two digits indicate nominal width and the second two digits indicate nominal height. For replacement drawer fronts the first two digits indicate nominal width and the suffix notes the height.



Prefix Codes

ANDO	Accessory Non-Drilled Door
RDF	Replacement Drawer Front
RDO	Replacement Door

Accessory Non-Drilled Door specific prefix codes are as follows:

ANDOBBC36/39	Accessory non-drilled door for Base Blind Corner 36/39
ANDOBCA24BFH	Accessory non-drilled door for Base Corner Angle 24 Butt-Door Full Height
ANDOBCR33	Accessory non-drilled door for Base Corner Revolving 33
ANDOBCR36	Accessory non-drilled door for Base Corner Revolving 36
ANDOMDEP	Accessory non-drilled door for Matching Desk End Panel
ANDOMTEP12TALL	Accessory non-drilled door for Matching Tall End Panel 12 wide tall bottom door
ANDO21TALL	Accessory non-drilled door for Tall Utility Cabinet
ANDOSFA39	Accessory non-drilled door for Sink Front Angle 39
ANDOSFA42	Accessory non-drilled door for Sink Front Angle 42
ANDOUBCR36	Accessory non-drilled door for Base Corner Revolving 36
ANDOWBC24/27(xx)	Accessory non-drilled door for Wall Blind Corner 24/27 (all heights)
ANDOWEZR(xx)	Accessory non-drilled door for Wall Easy Reach (all heights)

Replacement Door specific prefix codes are as follows:

RDOBBC36/39	Replacement door for Base Blind Corner 36/39
RDOBCA24BFH	Replacement door for Base Corner Angle 24 Butt-Door Full Height
RDOBCR33	Replacement door for Base Corner Revolving 33
RDOBCR36	Replacement door for Base Corner Revolving36
RDOBLS	Replacement door for Base Lazy Susan
RDOSFA39	Replacement door for Sink Front Angle 39
RDOSFA42	Replacement door for Sink Front Angle 42
RDOUBCR36	Replacement door for Universal Access Base Corner Revolving 36
RDO21TALL	Accessory non-drilled door for Tall Utility Cabinet
RDOUBLS	Replacement door for Universal Access Base Lazy Susan
RDO12(xx)MCW	Replacement door for Message Center Wall
RDOWBC24/27(xx)	Replacement door for Wall Blind Corner 24/27 (all heights)
RDOWEZR(xx)	Replacement door for Wall Easy Reach (all heights)

Replacement Door suffix codes are as follows:

BWBT	Base Wastebasket Top Mount
L	Left hinged
R	Right hinged
BL	Butt door left hinged
BR	Butt door right hinged
TALLL	Tall door left hinged
TALLR	Tall door right hinged
TALLB	Tall door - butt door
BGD	Butt Door - Glass Door
GD	Glass Door
BMG	Butt Door - Mullion Glass
LMG	Left hinged - Mullion Glass
RMG	Right hinged - Mullion Glass
PR	Prairie Door
BPR	Butt Door - Prairie Door

Replacement Drawer Front suffix codes are as follows:

DKD	3.500 or 4.125 front height
STD	5.500 or 6.125 front height
STDUT	5.500 or 6.125 front height with Utility Tray drilling
DP1	9.000 or 9.750 front height
DP2	10.375 or 11.188 front height
DP3	10.750 front height
BPPS	13.500 or 14.437 front height
DFD	6.000 or 17.625 front height - Desk File Drawer

PART	Traditional Overlay	Full Overlay	PART	Traditional Overlay	Full Overlay
ANDO1848	16 1/4 X 46	17 5/8 X 47 1/4	ANDO1236◆	10 1/4 X 34	11 5/8 X 35 1/4
ANDOWEZR42	10 1/4 X 40	10 15/16 X 41 1/4	ANDO936■	7 1/4 X 34	8 5/8 X 35 1/4
ANDOWBC24/2742	8 3/4 X 40	10 1/8 X 41 1/4			
ANDOSFA42	23 1/4 X 21 1/2	23 1/8 X 22 3/4	ANDOBBC33	7 1/4 X 28	7 15/16 X 29 1/4
ANDO4542	20 3/4 X 40	22 1/8 X 41 1/4	ANDOWEZR30	10 1/4 X 28	10 15/16 X 29 1/4
ANDO3942■	17 3/4 X 40	19 1/8 X 41 1/4	ANDOWBC24/2730	8 3/4 X 28	10 1/8 X 29 1/4
ANDO3642B*	17 1/16 X 40	17 3/4 X 41 1/4	ANDO3030B*	14 1/16 X 28	14 3/4 X 29 1/4
ANDO3342B*	15 9/16 X 40	16 1/4 X 41 1/4	ANDO4530■	20 3/4 X 28	22 1/8 X 29 1/4
ANDO3342*	14 3/4 X 40	16 1/8 X 41 1/4	ANDO3930■	17 3/4 X 28	19 1/8 X 29 1/4
ANDO3042B*	14 1/16 X 40	14 3/4 X 41 1/4	ANDO3630B*	17 1/16 X 28	17 3/4 X 29 1/4
ANDO2742B◆	12 9/16 X 40	13 1/4 X 41 1/4	ANDO3330B*	15 9/16 X 28	16 1/4 X 29 1/4
ANDO2742	11 3/4 X 40	13 1/8 X 41 1/4	ANDO3330*	14 3/4 X 28	16 1/8 X 29 1/4
ANDO2442B*	11 1/16 X 40	11 3/4 X 41 1/4	ANDO30TALLB	14 1/16 X 60 1/2	14 3/4 X 61 1/8
ANDO2442*	22 1/4 X 40	23 5/8 X 41 1/4	ANDO2730B◆	12 9/16 X 28	13 1/4 X 29 1/4
ANDO2142*	19 1/4 X 40	20 5/8 X 41 1/4	ANDO2730	11 3/4 X 28	13 1/8 X 29 1/4
ANDO1842*	16 1/4 X 40	17 5/8 X 41 1/4	ANDO2430B*	11 1/16 X 28	11 3/4 X 29 1/4
ANDO1542*	13 1/4 X 40	14 5/8 X 41 1/4	ANDO2430*	22 1/4 X 28	23 5/8 X 29 1/4
ANDO1242◆	10 1/4 X 40	11 5/8 X 41 1/4	ANDO2130*	19 1/4 X 28	20 5/8 X 29 1/4
ANDO942■	7 1/4 X 40	8 5/8 X 41 1/4	ANDO1830*	16 1/4 X 28	17 5/8 X 29 1/4
ANDOWEZR39	10 1/4 X 37	10 15/16 X 38 1/4	ANDO1530*	13 1/4 X 28	14 5/8 X 29 1/4
ANDOWBC24/2739	8 3/4 X 37	10 1/8 X 38 1/4	ANDO1230◆	10 1/4 X 28	11 5/8 X 29 1/4
ANDOSFA39	19 X 21 1/2	18 7/8 X 22 3/4	ANDO930■	7 1/4 X 28	8 5/8 X 29 1/4
ANDOBBC36/39	8 3/4 X 21 1/2	10 1/8 X 22 3/4			
ANDO4539	20 3/4 X 37	22 1/8 X 38 1/4	ANDO4527	20 3/4 X 25	22 1/8 X 26 1/4
ANDO3939■	17 3/4 X 37	19 1/8 X 38 1/4	ANDO3927■	17 3/4 X 25	19 1/8 X 26 1/4
ANDO3639B*	17 1/16 X 37	17 3/4 X 38 1/4	ANDO3627B◆	17 1/16 X 25	17 3/4 X 26 1/4
ANDO3339B*	15 9/16 X 37	16 1/4 X 38 1/4	ANDO3327B◆	15 9/16 X 25	16 1/4 X 26 1/4
ANDO3339	14 3/4 X 37	16 1/8 X 38 1/4	ANDO3327■	14 3/4 X 25	16 1/8 X 26 1/4
ANDO3039B*	14 1/16 X 37	14 3/4 X 38 1/4	ANDO3027B◆	14 1/16 X 25	14 3/4 X 26 1/4
ANDO2739B◆	12 9/16 X 37	13 1/4 X 38 1/4	ANDO2727B	12 9/16 X 25	13 1/4 X 26 1/4
ANDO2739	11 3/4 X 37	13 1/8 X 38 1/4	ANDO2427B	11 1/16 X 25	11 3/4 X 26 1/4
ANDO2439B*	11 1/16 X 37	11 3/4 X 38 1/4	ANDO2427	22 1/4 X 25	23 5/8 X 26 1/4
ANDO2439*	22 1/4 X 37	23 5/8 X 38 1/4	ANDO2127■	19 1/4 X 25	20 5/8 X 26 1/4
ANDO2139*	19 1/4 X 37	20 5/8 X 38 1/4	ANDO1827■	16 1/4 X 25	17 5/8 X 26 1/4
ANDO1839*	16 1/4 X 37	17 5/8 X 38 1/4	ANDO1527■	13 1/4 X 25	14 5/8 X 26 1/4
ANDO1539*	13 1/4 X 37	14 5/8 X 38 1/4	ANDO1227	10 1/4 X 25	11 5/8 X 26 1/4
ANDO1239◆	10 1/4 X 37	11 5/8 X 38 1/4	ANDO927	7 1/4 X 25	8 5/8 X 26 1/4
ANDO939■	7 1/4 X 37	8 5/8 X 38 1/4			
			ANDOBBCA24BFH	15 25/32 X 28	16 15/32 X 29 1/4
ANDOWEZR36	10 1/4 X 34	10 15/16 X 35 1/4	ANDO4524■	20 3/4 X 21 1/2	22 1/8 X 22 3/4
ANDOWBC24/2736	8 3/4 X 34	10 1/8 X 35 1/4	ANDO3924■	17 3/4 X 21 1/2	19 1/8 X 22 3/4
ANDOUBCR36	10 1/4 X 25	10 15/16 X 26 1/4	ANDO3624B*	17 1/16 X 21 1/2	17 3/4 X 22 3/4
ANDOBBCR36	10 1/4 X 28	10 15/16 X 29 1/4	ANDO3324B◆	15 9/16 X 21 1/2	16 1/4 X 22 3/4
ANDO4536	20 3/4 X 34	22 1/8 X 35 1/4	ANDO3324■	14 3/4 X 21 1/2	16 1/8 X 22 3/4
ANDO3936■	17 3/4 X 34	19 1/8 X 35 1/4	ANDO3024B*	14 1/16 X 21 1/2	14 3/4 X 22 3/4
ANDO36TALLB	17 1/16 X 60 1/2	17 3/4 X 61 1/8	ANDO2724B◆	12 9/16 X 21 1/2	13 1/4 X 22 3/4
ANDO3636B*	17 1/16 X 34	17 3/4 X 35 1/4	ANDO2724	11 3/4 X 21 1/2	13 1/8 X 22 3/4
ANDO3336B*	15 9/16 X 34	16 1/4 X 35 1/4	ANDO24TALLB	11 1/16 X 60 1/2	11 3/4 X 61 1/8
ANDO3336*	14 3/4 X 34	16 1/8 X 35 1/4	ANDO24TALL	22 1/4 X 60 1/2	23 5/8 X 61 1/8
ANDO3036B*	14 1/16 X 34	14 3/4 X 35 1/4	ANDO2424B*	11 1/16 X 21 1/2	11 3/4 X 22 3/4
ANDO2736B◆	12 9/16 X 34	13 1/4 X 35 1/4	ANDO2424*	22 1/4 X 21 1/2	23 5/8 X 22 3/4
ANDO2736	11 3/4 X 34	13 1/8 X 35 1/4	ANDO2124*	19 1/4 X 21 1/2	20 5/8 X 22 3/4
ANDO2436B*	11 1/16 X 34	11 3/4 X 35 1/4	ANDO1824*	16 1/4 X 21 1/2	17 5/8 X 22 3/4
ANDO2436*	22 1/4 X 34	23 5/8 X 35 1/4	ANDO1524*	13 1/4 X 21 1/2	14 5/8 X 22 3/4
ANDO2136*	19 1/4 X 34	20 5/8 X 35 1/4	ANDO1224◆	10 1/4 X 21 1/2	11 5/8 X 22 3/4
ANDO1836*	16 1/4 X 34	17 5/8 X 35 1/4			
ANDO1536*	13 1/4 X 34	14 5/8 X 35 1/4	ANDO4521	20 3/4 X 18 1/2	22 1/8 X 19 3/4

*Available in GD, PG, MG, PM, PR, or PP option

◆ Available in GD, PG, MG, or PM option

■ Available in PG and PM option

PART	Traditional Overlay	Full Overlay	PART	Traditional Overlay	Full Overlay
ANDO3921 ■	17 3/4 X 18 1/2	19 1/8 X 19 3/4	ANDOMDEP	19 1/4 X 22 1/2	20 5/8 X 23 3/4
ANDO3621B ■	17 1/16 X 18 1/2	17 3/4 X 19 3/4	ANDOUBBC36/39	8 3/4 X 18 1/2	10 1/8 X 19 3/4
ANDO3321B ■	15 9/16 X 18 1/2	16 1/4 X 19 3/4			
ANDO3321 ■	14 3/4 X 18 1/2	16 1/8 X 19 3/4			
ANDO3021B ■	14 1/16 X 18 1/2	14 3/4 X 19 3/4			
ANDO2721B	12 9/16 X 18 1/2	13 1/4 X 19 3/4			
ANDO2721	11 3/4 X 18 1/2	13 1/8 X 19 3/4			
ANDO2421B	11 1/16 X 18 1/2	11 3/4 X 19 3/4			
ANDO2421	22 1/4 X 18 1/2	23 5/8 X 19 3/4			
ANDO2121 ■	19 1/4 X 18 1/2	20 5/8 X 19 3/4			
ANDO1821 ■	16 1/4 X 18 1/2	17 5/8 X 19 3/4			
ANDO1521 ■	13 1/4 X 18 1/2	14 5/8 X 19 3/4			
ANDO1221	10 1/4 X 18 1/2	11 5/8 X 19 3/4			
ANDO21TALL	19 1/4 X 60 1/2	20 5/8 X 61 1/8			
ANDO4518 ■	20 3/4 X 16	22 1/8 X 17 1/4			
ANDO3918 ■	17 3/4 X 16	19 1/8 X 17 1/4			
ANDO3618B*	17 1/16 X 16	17 3/4 X 17 1/4 8			
ANDO3318B◆	15 9/16 X 16	16 1/4 X 17 1/4			
ANDO3318◆	14 3/4 X 16	16 1/8 X 17 1/4			
ANDO3018B*	14 1/16 X 16	14 3/4 X 17 1/4			
ANDO2718B◆	12 9/16 X 16	13 1/4 X 17 1/4			
ANDO2418B ■	11 1/16 X 16	11 3/4 X 17 1/4			
ANDO2418*	22 1/4 X 16	23 5/8 X 17 1/4			
ANDO2118*	19 1/4 X 16	20 5/8 X 17 1/4			
ANDO1818*	16 1/4 X 16	17 5/8 X 17 1/4			
ANDO1518*	13 1/4 X 16	14 5/8 X 17 1/4			
ANDO1218*	10 1/4 X 16	11 5/8 X 17 1/4			
ANDO18TALL	16 1/4 X 60 1/2	17 5/8 X 61 1/8			
ANDO4515 ■	20 3/4 X 13	22 1/8 X 14 1/4			
ANDO3915 ■	17 3/4 X 13	19 1/8 X 14 1/4			
ANDO3615B◆	17 1/16 X 13	17 3/4 X 14 1/4			
ANDO3315B◆	15 9/16 X 13	16 1/4 X 14 1/4			
ANDO3315 ■	14 3/4 X 13	16 1/8 X 14 1/4			
ANDO3015B◆	14 1/16 X 13	14 3/4 X 14 1/4			
ANDO2715B◆	12 9/16 X 13	13 1/4 X 14 1/4			
ANDO2415B ■	11 1/16 X 13	11 3/4 X 14 1/4			
ANDO2415 ■	22 1/4 X 13	23 5/8 X 14 1/4			
ANDO2115*	19 1/4 X 13	20 5/8 X 14 1/4			
ANDO1815*	16 1/4 X 13	17 5/8 X 14 1/4			
ANDO15TALL	13 1/4 X 60 1/2	14 5/8 X 61 1/8			
ANDO1515*	13 1/4 X 13	14 5/8 X 14 1/4			
ANDOMTEP12TALL	10 1/4 X 60 1/2	11 3/4 X 61 1/8			
ANDO4512 ■	20 3/4 X 10	22 1/8 X 11 1/4			
ANDO3912 ■	17 3/4 X 10	19 1/8 X 11 1/4			
ANDO3612B◆	17 1/16 X 10	17 3/4 X 11 1/4			
ANDO3312B◆	15 9/16 X 10	16 1/4 X 11 1/4			
ANDO3312 ■	14 3/4 X 10	16 1/8 X 11 1/4			
ANDO3012B◆	14 1/16 X 10	14 3/4 X 11 1/4			
ANDO2712B◆	12 9/16 X 10	13 1/4 X 11 1/4			
ANDO2412 ■	22 1/4 X 10	23 5/8 X 11 1/4			
ANDO2112*	19 1/4 X 10	20 5/8 X 11 1/4			
ANDO1812*	16 1/4 X 10	17 5/8 X 11 1/4			
ANDO1512*	13 1/4 X 10	14 5/8 X 11 1/4			

*Available in GD, PG, MG, PM, PR, or PP option ◆Available in GD, PG, MG, or PM option ■ Available in PG and PM option

PART	Traditional Overlay	Full Overlay	PART	Traditional Overlay	Full Overlay
RDF39STDUT	5 1/2 X 37 1/4	6 1/8 X 38 5/8	RDF33BPPS	13 1/4 X 31 1/4	14 1/2 X 32 5/8
RDF36STDUT	5 1/2 X 34 1/4	6 1/8 X 35 5/8	RDF30BPPS	13 1/4 X 28 1/4	14 1/2 X 29 5/8
RDF33STDUT	5 1/2 X 31 1/4	6 1/8 X 32 5/8	RDF27BPPS	13 1/4 X 25 1/4	14 1/2 X 26 5/8
RDF30STDUT	5 1/2 X 28 1/4	6 1/8 X 29 5/8			
RDF27STDUT	5 1/2 X 25 1/4	6 1/8 X 26 5/8	RDO36TALLB	17 1/16 X 60 1/2	17 3/4 X 61 1/8
RDF24STDUT	5 1/2 X 22 1/4	6 1/8 X 23 5/8	RDO30TALLB	14 1/16 X 60 1/2	14 3/4 X 61 1/8
RDF21STDUT	5 1/2 X 19 1/4	6 1/8 X 20 5/8	RDO24TALLB	11 1/16 X 60 1/2	11 3/4 X 61 1/8
RDF24STDUBT	5 1/2 X 22 1/4	6 1/8 X 23 5/8	RDO24TALL	22 1/4 X 60 1/2	23 5/8 X 61 1/8
			RDO18TALL	16 1/4 X 60 1/2	17 5/8 X 61 1/8
RDF5FA39STD	5 1/2 X 19	6 1/8 X 18 7/8	RDO15TALL	13 1/4 X 60 1/2	14 5/8 X 61 1/8
RDF45STD	5 1/2 X 20 3/4	6 1/8 X 22 1/8			
RDF39STD	5 1/2 X 37 1/4	6 1/8 X 38 5/8	RDOBCA24BFH	15 25/32 X 28	16 15/32 X 29 1/4
RDF36STD	5 1/2 X 34 1/4	6 1/8 X 35 5/8			
RDF33STD	5 1/2 X 31 1/4	6 1/8 X 32 5/8	RDO1848	16 1/4 X 46	17 5/8 X 47 1/4
RDF30STD	5 1/2 X 28 1/4	6 1/8 X 29 5/8			
RDF27STD	5 1/2 X 25 1/4	6 1/8 X 26 5/8	RDO3642B*	17 1/16 X 40	17 3/4 X 41 1/4
RDF24STD	5 1/2 X 22 1/4	6 1/8 X 23 5/8	RDO3342B*	15 9/16 X 40	16 1/4 X 41 1/4
RDF21STD	5 1/2 X 19 1/4	6 1/8 X 20 5/8	RDO3042B*	14 1/16 X 40	14 3/4 X 41 1/4
RDF18STD	5 1/2 X 16 1/4	6 1/8 X 17 5/8	RDO2742B◆	12 9/16 X 40	13 1/4 X 41 1/4
RDF15STD	5 1/2 X 13 1/4	6 1/8 X 14 5/8	RDO2442B*	11 1/16 X 40	11 3/4 X 41 1/4
RDF12STD	5 1/2 X 10 1/4	6 1/8 X 11 5/8	RDO942■	7 1/4 X 40	8 5/8 X 41 1/4
			RDO4542	20 3/4 X 40	22 1/8 X 41 1/4
RDF24DP3	N/A	10 3/4 X 23 5/8	RDO3942■	17 3/4 X 40	19 1/8 X 41 1/4
RDF21DP3	N/A	10 3/4 X 20 5/8	RDO3342*	14 3/4 X 40	16 1/8 X 41 1/4
RDF18DP3	N/A	10 3/4 X 17 5/8	RDO2742	11 3/4 X 40	13 1/8 X 41 1/4
RDF15DP3	N/A	10 3/4 X 14 5/8	RDO2442*	22 1/4 X 40	23 5/8 X 41 1/4
RDF12DP3	N/A	10 3/4 X 11 5/8	RDO2142*	19 1/4 X 40	20 5/8 X 41 1/4
			RDO1842*	16 1/4 X 40	17 5/8 X 41 1/4
RDF36DP2	10 3/8 X 34 1/4	11 3/16 X 35 5/8	RDO1542*	13 1/4 X 40	14 5/8 X 41 1/4
RDF33DP2	10 3/8 X 31 1/4	11 3/16 X 32 5/8	RDO1242◆	10 1/4 X 40	11 5/8 X 41 1/4
RDF30DP2	10 3/8 X 28 1/4	11 3/16 X 29 5/8	RDO1242MCW	10 1/4 x 40	10 15/16 x 41 1/4
RDF27DP2	10 3/8 X 25 1/4	11 3/16 X 26 5/8			
RDF24DP2	10 3/8 X 22 1/4	11 3/16 X 23 5/8	RDO3639B*	17 1/16 X 37	17 3/4 X 38 1/4
RDF21DP2	10 3/8 X 19 1/4	11 3/16 X 20 5/8	RDO3339B*	15 9/16 X 37	16 1/4 X 38 1/4
RDF18DP2	10 3/8 X 16 1/4	11 3/16 X 17 5/8	RDO3039B*	14 1/16 X 37	14 3/4 X 38 1/4
RDF15DP2	10 3/8 X 13 1/4	11 3/16 X 14 5/8	RDO2739B◆	12 9/16 X 37	13 1/4 X 38 1/4
RDF12DP2	10 3/8 X 10 1/4	11 3/16 X 11 5/8	RDO2439B*	11 1/16 X 37	11 3/4 X 38 1/4
RDF27DP1	9 X 25 1/4	9 3/4 X 26 5/8	RDO939■	7 1/4 X 37	8 5/8 X 38 1/4
RDF24DP1	9 X 22 1/4	9 3/4 X 23 5/8	RDO4539	20 3/4 X 37	22 1/8 X 38 1/4
RDF21DP1	9 X 19 1/4	9 3/4 X 20 5/8	RDO3939■	17 3/4 X 37	19 1/8 X 38 1/4
RDF18DP1	9 X 16 1/4	9 3/4 X 17 5/8	RDO3339*	16 1/8 X 37	14 5/8 X 38 1/4
RDF15DP1	9 X 13 1/4	9 3/4 X 14 5/8	RDO2739	11 3/4 X 37	13 1/8 X 38 1/4
RDF12DP1	9 X 10 1/4	9 3/4 X 11 5/8	RDO2439*	22 1/4 X 37	23 5/8 X 38 1/4
			RDO2139*	19 1/4 X 37	20 5/8 X 38 1/4
RDF36DKD	3 1/2 X 34 1/4	4 1/8 X 35 5/8	RDO1839*	16 1/4 X 37	17 5/8 X 38 1/4
RDF30DKD	3 1/2 X 28 1/4	4 1/8 X 29 5/8	RDO1539*	13 1/4 X 37	14 5/8 X 38 1/4
RDF24DKD	3 1/2 X 22 1/4	4 1/8 X 23 5/8	RDO1239◆	10 1/4 X 37	11 5/8 X 38 1/4
RDF18DKD	3 1/2 X 16 1/4	4 1/8 X 17 5/8	RDO1239MCW	10 1/4 x 38	10 15/16 x 37 1/4
RDF24DFD	22 1/4 X 16	23 5/8 X 17 1/4	RDO3636B*	17 1/16 X 34	17 3/4 X 35 1/4
RDF21DFD	19 1/4 X 16	20 5/8 X 17 1/4	RDO3336B*	15 9/16 X 34	16 1/4 X 35 1/4
RDF18DFD	16 1/4 X 16	17 5/8 X 17 1/4	RDO3036B*	14 1/16 X 34	14 3/4 X 35 1/4
RDF15DFD	13 1/4 X 16	14 5/8 X 17 1/4	RDO2736B◆	12 9/16 X 34	13 1/4 X 35 1/4
			RDO2436B*	11 1/16 X 34	11 3/4 X 35 1/4
RDF36BPPS	13 1/4 X 34 1/4	14 1/2 X 35 5/8	RDO2436*	22 1/4 X 34	23 5/8 X 35 1/4

*Available in GD, PG, MG, PM, PR, or PP option

◆ Available in GD, PG, MG, or PM option

■ Available in PG and PM option

PART	Traditional Overlay	Full Overlay	PART	Traditional Overlay	Full Overlay
RDO936 ■	7 1/4 X 34	8 5/8 X 35 1/4	RDO2724	11 3/4 X 21 1/2	13 1/8 X 22 3/4
RDO4536	20 3/4 X 34	22 1/8 X 35 1/4	RDO2424*	22 1/4 X 21 1/2	23 5/8 X 22 3/4
RDO3936 ■	17 3/4 X 34	19 1/8 X 35 1/4	RDO2124*	19 1/4 X 21 1/2	20 5/8 X 22 3/4
RDO3336*	14 3/4 X 34	16 1/8 X 35 1/4	RDO1824*	16 1/4 X 21 1/2	17 5/8 X 22 3/4
RDO2736	11 3/4 X 34	13 1/8 X 35 1/4	RDO1524*	13 1/4 X 21 1/2	14 5/8 X 22 3/4
RDO2136*	19 1/4 X 34	20 5/8 X 35 1/4	RDO1224◆	10 1/4 X 21 1/2	11 5/8 X 22 3/4
RDO1836*	16 1/4 X 34	17 5/8 X 35 1/4			
RDO1536*	13 1/4 X 34	14 5/8 X 35 1/4	RDO3621B ■	17 1/16 X 18 1/2	17 3/4 X 19 3/4
RDO1236◆	10 1/4 X 34	11 5/8 X 35 1/4	RDO3321B ■	15 9/16 X 18 1/2	16 1/4 X 19 3/4
RDO1236MCW	10 1/4 x 34	10 15/16 x 35 1/4	RDO3021B ■	14 1/16 X 18 1/2	14 3/4 X 19 3/4
			RDO2721B	12 9/16 X 18 1/2	13 1/4 X 19 3/4
RDO930BPO	7 1/4 X 28	8 5/8 X 29 1/4	RDO2421B	11 1/16 X 18 1/2	11 3/4 X 19 3/4
RDO3630B*	17 1/16 X 28	17 3/4 X 29 1/4			
RDO3330B*	15 9/16 X 28	16 1/4 X 29 1/4	RDO4521	20 3/4 X 18 1/2	22 1/8 X 19 3/4
RDO3030B*	14 1/16 X 28	14 3/4 X 29 1/4	RDO3921 ■	17 3/4 X 18 1/2	19 1/8 X 19 3/4
RDO2730B◆	12 9/16 X 28	13 1/4 X 29 1/4	RDO3321 ■	14 3/4 X 18 1/2	16 1/8 X 19 3/4
RDO2430B*	11 1/16 X 28	11 3/4 X 29 1/4	RDO2721	11 3/4 X 18 1/2	13 1/8 X 19 3/4
			RDO2421	22 1/4 X 18 1/2	23 5/8 X 19 3/4
RDO930 ■	7 1/4 X 28	8 5/8 X 29 1/4	RDO2121 ■	19 1/4 X 18 1/2	20 5/8 X 19 3/4
RDO4530 ■	20 3/4 X 28	22 1/8 X 29 1/4	RDO1821 ■	16 1/4 X 18 1/2	17 5/8 X 19 3/4
RDO3930 ■	17 3/4 X 28	19 1/8 X 29 1/4	RDO1521 ■	13 1/4 X 18 1/2	14 5/8 X 19 3/4
RDO3330*	14 3/4 X 28	16 1/8 X 29 1/4	RDO1221	10 1/4 X 18 1/2	11 5/8 X 19 3/4
RDO2730	11 3/4 X 28	13 1/8 X 29 1/4	RDO21TALL	19 1/4 x 60 1/2	20 5/8 x 61 1/8
RDO2430*	22 1/4 X 28	23 5/8 X 29 1/4			
RDO2130*	19 1/4 X 28	20 5/8 X 29 1/4	RDO3618B*	17 1/16 X 16	17 3/4 X 17 1/4
RDO1830*	16 1/4 X 28	17 5/8 X 29 1/4	RDO3318B◆	15 9/16 X 16	16 1/4 X 17 1/4
RDO1530*	13 1/4 X 28	14 5/8 X 29 1/4	RDO3018B*	14 1/16 X 16	14 3/4 X 17 1/4
RDO1230◆	10 1/4 X 28	11 5/8 X 29 1/4	RDO2718B◆	12 9/16 X 16	13 1/4 X 17 1/4
RDO1230MCW	10 1/4 x 28	10 15/16 x 29 1/4	RDO2418B ■	11 1/16 X 16	11 3/4 X 17 1/4
RDO3627B◆	17 1/16 X 25	17 3/4 X 26 1/4	RDO4518 ■	20 3/4 X 16	22 1/8 X 17 1/4
RDO3327B◆	15 9/16 X 25	16 1/4 X 26 1/4	RDO3918 ■	17 3/4 X 16	19 1/8 X 17 1/4
RDO3027B◆	14 1/16 X 25	14 3/4 X 26 1/4	RDO3318◆	14 3/4 X 16	16 1/8 X 17 1/4
RDO2727B	12 9/16 X 25	13 1/4 X 26 1/4	RDO2418*	22 1/4 X 16	23 5/8 X 17 1/4
RDO2427B	11 1/16 X 25	11 3/4 X 26 1/4	RDO2118*	19 1/4 X 16	20 5/8 X 17 1/4
RDO927	7 1/4 X 25	8 5/8 X 26 1/4	RDO1818*	16 1/4 X 16	17 5/8 X 17 1/4
RDO4527	20 3/4 X 25	22 1/8 X 26 1/4	RDO1518*	13 1/4 X 16	14 5/8 X 17 1/4
RDO3927 ■	17 3/4 X 25	19 1/8 X 26 1/4	RDO1218*	10 1/4 x 16	11 5/8 x 17 1/4
RDO3327 ■	14 3/4 X 25	16 1/8 X 26 1/4			
RDO2427	22 1/4 X 25	23 5/8 X 26 1/4	RDO3615B◆	17 1/16 X 13	17 3/4 X 14 1/4
RDO2127 ■	19 1/4 X 25	20 5/8 X 26 1/4	RDO3315B◆	15 9/16 X 13	16 1/4 X 14 1/4
RDO1827 ■	16 1/4 X 25	17 5/8 X 26 1/4	RDO3015B◆	14 1/16 X 13	14 3/4 X 14 1/4
RDO1527 ■	13 1/4 X 25	14 5/8 X 26 1/4	RDO2715B◆	12 9/16 X 13	13 1/4 X 14 1/4
RDO1227	10 1/4 X 25	11 5/8 X 26 1/4	RDO2415B ■	11 1/16 X 13	11 3/4 X 14 1/4
RDO1824BWBT	16 1/4 X 21 1/2	17 5/8 X 22 3/4	RDO4515 ■	20 3/4 X 13	22 1/8 X 14 1/4
RDO1524BWBT	13 1/4 X 21 1/2	14 5/8 X 22 3/4	RDO3915 ■	17 3/4 X 13	19 1/8 X 14 1/4
			RDO3315 ■	14 3/4 X 13	16 1/8 X 14 1/4
RDO3624B*	17 1/16 X 21 1/2	17 3/4 X 22 3/4	RDO2415 ■	22 1/4 X 13	23 5/8 X 14 1/4
RDO3324B◆	15 9/16 X 21 1/2	16 1/4 X 22 3/4	RDO2115*	19 1/4 X 13	20 5/8 X 14 1/4
RDO3024B*	14 1/16 X 21 1/2	14 3/4 X 22 3/4	RDO1815*	16 1/4 X 13	17 5/8 X 14 1/4
RDO2724B◆	12 9/16 X 21 1/2	13 1/4 X 22 3/4	RDO1515*	13 1/4 X 13	14 5/8 X 14 1/4
RDO2424B*	11 1/16 X 21 1/2	11 3/4 X 22 3/4			
			RDO3612B◆	17 1/16 X 10	17 3/4 X 11 1/4
RDO4524 ■	20 3/4 X 21 1/2	22 1/8 X 22 3/4	RDO3312B◆	15 9/16 X 10	16 1/4 X 11 1/4
RDO3924 ■	17 3/4 X 21 1/2	19 1/8 X 22 3/4	RDO3012B◆	14 1/16 X 10	14 3/4 X 11 1/4
RDO3324 ■	14 3/4 X 21 1/2	16 1/8 X 22 3/4	RDO2712B◆	12 9/16 X 10	13 1/4 X 11 1/4

*Available in GD, PG, MG, PM, PR, or PP option ◆Available in GD, PG, MG, or PM option ■ Available in PG and PM option

PART	Traditional Overlay	Full Overlay	PART	Traditional Overlay	Full Overlay
RDO4512 ■	20 3/4 X 10	22 1/8 X 11 1/4			
RDO3912 ■	17 3/4 X 10	19 1/8 X 11 1/4			
RDO3312 ■	14 3/4 X 10	16 1/8 X 11 1/4			
RDO2412 ■	22 1/4 X 10	23 5/8 X 11 1/4			
RDO2112*	19 1/4 X 10	20 5/8 X 11 1/4			
RDO1812*	16 1/4 x 10	17 5/8 x 11 1/4			
RDO1512*	13 1/4 X 10	14 5/8 X 11 1/4			
RDOWA18	14 3/4 x 16	14 5/8 x 17 1/4			
RDOWA30	14 3/4 x 28	14 5/8 x 29 1/4			
RDOWA36	14 3/4 x 34	14 5/8 x 35 1/4			
RDOWA39	14 3/4 x 37	14 5/8 x 38 1/4			
RDOWA42	14 3/4 x 40	14 5/8 x 41 1/4			
RDOWEZR42	10 1/4 X 40	10 15/16 X 41 1/4			
RDOWEZR39	10 1/4 X 37	10 15/16 X 38 1/4			
RDOWEZR36	10 1/4 X 34	10 15/16 X 35 1/4			
RDOWEZR30	10 1/4 X 28	10 15/16 X 29 1/4			
RDOWBC24/2742	8 3/4 X 40	10 1/8 X 41 1/4			
RDOWBC24/2739	8 3/4 X 37	10 1/8 X 38 1/4			
RDOWBC24/2736	8 3/4 X 34	10 1/8 X 35 1/4			
RDOWBC24/2730	8 3/4 X 28	10 1/8 X 29 1/4			
RDOUBLS	10 1/8 X 24 1/4	N/A			
RDOUBCR36	10 1/4 X 25	10 15/16 X 26 1/4			
RDOSFA42	23 1/4 X 21 1/2	23 1/8 X 22 3/4			
RDOSFA39	19 X 21 1/2	18 7/8 X 22 3/4			
RDOSFA36	14 3/4 x 21 1/2	14 5/8 x 22 3/4			
RDOBLS	10 1/8 X 27 1/4	N/A			
RDOBCR36	10 1/4 X 28	10 15/16 X 29 1/4			
RDOBCR33	7 1/4 X 28	7 15/16 X 29 1/4			
RDOBBC36/39	8 3/4 X 21 1/2	10 1/8 X 22 3/4			
RDOUBBC36/39	8 3/4 X 18 1/2	10 1/8 X 19 3/4			
RDFSBA/SFA42STD	5 1/2 X 23 1/4	6 1/8 X 23 1/8			
RDFSBA/SFA36STD	5 1/2 X 14 3/4	6 1/8 X 14 5/8			
RDFBBC45/48STD	5 1/2 X 17 3/4	6 1/8 X 19 1/8			
RDFBBC36/39STD	5 1/2 X 8 3/4	6 1/8 X 10 1/8			
RDF33/2STD	5 1/2 X 14 3/4	6 1/8 X 16 1/8			
RDF33/2DP1	9 X 14 3/4	9 3/4 x 16 1/8			
RDF27/2STD	5 1/2 X 11 3/4	6 1/8 X 13 1/8			

*Available in GD, PG, MG, PM, PR, or PP option

◆ Available in GD, PG, MG, or PM option

■ Available in PG and PM option

Wood

The fine “furniture” finish of your cabinets is designed for daily usage. All wood and laminate surfaces may be cleaned with a damp, soft cloth moistened with pure soap suds (not detergent), then wiped dry with another soft cloth. As with all cabinet surfaces, take a little extra care on bottom edges of cabinets and cabinet doors where invisible moisture often collects.

Note: The use of detergents, soap pads, steel wool, or other harsh, abrasive material on your cabinetry is not recommended.

Polishing Wood

Remove dust from cabinets frequently with a soft lint-free cloth. The cloth may be slightly dampened with water or a spray type dust remover.

Clean spills immediately. Use a clean cloth and mild soap if necessary. Wipe dry with a clean soft cloth.

We recommend that you wash and polish cabinets once or twice a year. Use a light coat of quality furniture polish. Don't use a paste wax; the wax build up is difficult to remove and will leave a residue that attracts dust and moisture. Polishes that contain silicone should not be used.

Laminate Door Surfaces

Periodically clean the interior and exterior surfaces of the door using a soft, dampened cloth. Tough stains may be cleaned using a soft cloth dampened with a “409” or “Simple Green” type cleanser.

Mullion Glass Doors

You can use any commercial glass cleaner to clean the glass. While cleaning mounted glass, be careful not to damage the finish of the door and cabinet parts. Additionally, the glass can be cleaned while mounted on the door, or can be removed for better access.

To remove the glass panel, carefully remove glass retaining hardware/strip and lift panel out. The door glass is tempered to resist chipping and shattering. However, all glass is fragile, so handle carefully.

When cleaning mounted glass, do not spray glass cleaner directly onto glass or cabinet parts. Glass cleaner seeping into areas behind the mullions may discolor the wood. Instead, spray a small amount of cleaner onto a lint-free cloth or paper towel, then wipe the glass clean.

Wire Storage Products

Periodically clean with soft damp cloth.

Note: The use of detergents, soap pads, steel wool, or other harsh, abrasive material is not recommended

Roller Slide Systems

Periodically clean with a soft damp cloth. Ball bearing slides are lubricated with grease from the manufacturer to ensure smooth quiet operation and long life. Avoid removal of this grease during cleaning.

Preventative Care: Self-Cleaning Ovens

Self-cleaning ovens are cleaned through the use of intense heat. If the heat gasket does not seal properly, heat may escape from the oven. Cabinet components installed near the oven may suffer finish or surface damage. To minimize the risk of damage during cleaning cycles, we recommend that you open doors and drawers from cabinets that are above and adjacent to a self-cleaning oven.

Preventative Care: Heat-Producing Appliances

We recommend that you do not mount heat-producing appliances (such as coffee makers and toaster ovens) beneath cabinets. Excess heat and moisture from these appliances can damage cabinets.

The Beauty Of Natural Wood

The natural hardwoods we use in our product have characteristics that make every cabinet both beautiful and unique. All hardwoods have their own personality, and variation in color, texture, and grain pattern are an inherent part of this natural material.

Natural hardwood variations often include distinctive grain patterns or unusual shadings in color. These reflect the “life history” of the tree and contribute to the unique look of your cabinets.

As with other natural materials, your hardwood cabinets will be affected by environmental factors such as natural and artificial lighting, so you can expect to see the color gradually change and mellow over time.

Your satisfaction is important to us, and we want you to feel as good about buying our cabinets as we do about making them. Be assured only the best materials go into our natural hardwood cabinetry, including those hardwoods that may be considered unique. Because we believe natural distinctive hardwoods are beautiful.

Due to the unique qualities inherent in the natural hardwoods used in this cabinetry, neither Merillat® cabinetry, nor your dealer, can be responsible for the actual degree of variation that may characterize your cabinetry purchase.

Warping, Cracking & Proper Humidity

As a natural characteristic, all wood products contain moisture. Changes in temperature and humidity affect the moisture content in wood, which causes wood to expand or contract. Over time, this expansion or contraction can cause warping and joint cracks to occur, potentially causing permanent deformations, in wood cabinetry.

To help prevent excessive movement in your wood cabinetry, we recommend maintaining a controlled environment of 70 degrees to 75 degrees Fahrenheit and 30% to 50% humidity in the areas where your cabinetry is stored or installed. Environmental conditions cannot be controlled by Merillat® cabinetry and the effects of movement in wood is not considered to be a manufacturing defect and will not be considered as a reason for replacement.

CLASSIC®

— COLLECTION —

Merillat Cabinets

Merillat® cabinetry makes better use of nature's hardwood, while providing a quality product. The wide range of wood colors and grain variations are natural characteristics of the wood and **not** a defect.

CABINET FRAMES

3/4" thick, kiln dried, solid hardwood joined with pocket screw joinery construction.

END PANELS

3/8" thick engineered wood is permanently finished on 2 sides with a laminate resistant to water and most household chemicals. End panels are machined to accept tops, bottoms and backs. Ends are drilled to accept adjustable shelves. Tall cabinet end panels are 1/2" thick.

OPTIONAL PLYWOOD END PANELS & ALL PLYWOOD CONSTRUCTION END PANELS

1/2" thick hardwood veneer exterior finished to match cabinet exterior. Interior is permanently laminated with laminate resistant to water and most household chemicals.

WALL TOPS & BOTTOMS

1/2" thick engineered wood is permanently finished on 2 sides with a laminate resistant to water and most household chemicals.

OPTIONAL ALL PLYWOOD CONSTRUCTION WALL TOPS & BOTTOMS

1/2" thick plywood is permanently finished on 2 sides with a laminate resistant to water and most household chemicals

BASE BOTTOMS

1/2" thick engineered wood is permanently finished on 1 side with a laminate resistant to water and most household chemicals.

OPTIONAL ALL PLYWOOD CONSTRUCTION BASE BOTTOMS

1/2" thick plywood is permanently finished on 1 side with a laminate resistant to water and most household chemicals.

SHELVES

3/4" thick engineered wood is permanently finished on 2 sides for full depth shelves and 1 side for half-depth Base cabinet shelving with a laminate resistant to water and most household chemicals. Front edge is edge banded with melamine banding. Wall and Base cabinets have adjustable shelves supported by adjustable shelf clips.

Half-depth shelves in Base cabinets 39" wide and wider have a matching full-length support apron secured to the underside near the front edge for additional support. Shelves are designed to support 15 lbs. per square foot, **not** to exceed 50 lbs. per shelf.

OPTIONAL ALL PLYWOOD CONSTRUCTION SHELVES

3/4" thick plywood is permanently finished on 2 sides for full depth shelves and 1 side for half-depth Base cabinet shelving with a laminate resistant to water and most household chemicals. Front edge is edge banded with melamine banding. Wall and Base cabinets have adjustable shelves supported by adjustable shelf clips.

Half-depth shelves in Base cabinets 39" wide and wider have a matching full-length support apron secured to the underside near the front edge for additional support. Shelves are designed to support 15 lbs. per square foot, **not** to exceed 50 lbs. per shelf.

BOOKCASE SHELVES

3/4" thick engineered wood, permanently laminated two sides to match exterior finish of cabinet. All bookcase units have adjustable shelves. Front edge is edge banded.

OPTIONAL ALL PLYWOOD CONSTRUCTION BOOKCASE SHELVES

3/4" thick plywood, permanently laminated two sides to match exterior finish of cabinet. All bookcase units have adjustable shelves. Front edge is edge banded.

WALL BACKS

3/8" thick engineered wood finished on one side with a laminate resistant to water and household chemicals. Full-length dadoes in back allow tops and bottoms to be captured, stapled and glued.

OPTIONAL ALL PLYWOOD CONSTRUCTION WALL BACKS

3/8" thick plywood finished on one side with a laminate resistant to water and household chemicals. Full-length dadoes in back allow tops and bottoms to be captured, stapled and glued.

BASE BACKS

1/4" thick engineered wood finished on one side with a laminate resistant to water and household chemicals. Extends full-length to floor.

OPTIONAL ALL PLYWOOD CONSTRUCTION BASE BACKS

1/4" thick plywood finished on one side with a laminate resistant to water and household chemicals. Extends full-length to floor.

WALL HANGRAILS

3/8" thick engineered wood full-length across top and bottom secured with staples.

OPTIONAL ALL PLYWOOD CONSTRUCTION WALL HANGRAILS

3/8" thick plywood full-length across top and bottom secured with staples.

BASE HANGRAILS

1/4" engineered wood full-length across top secured with staples.

DRAWER GUIDES

75 pound rated drawer guide system, side mounted, 3/4 extension with self adjusting mounting brackets at rear. Drawer slides are fastened to the drawer box with screws.

DRAWER FRONTS

3/4" solid hardwood stained door styles; Painted can be hardwood or Medium Density Fiberboard. Laminate and substrate on laminate drawer fronts use the same materials as corresponding door style. 5 Piece fronts have 3/4" thick stiles and rails.

OPTIONAL DRAWER BOX

1/2" thick sides, fronts and backs of engineered wood. Top edges are finished with melamine banding. Side surfaces are finished with a laminate resistant to water and most household chemicals. 3/8" thick engineered wood bottom panel is finished on one side with same laminate. Laminate/edgebanding finish is natural woodgrain. Drawer sides are rabbeted to join the drawer box fronts and backs. Each corner is joined with glue and stapled.

Standard drawer interior height is 3 5/8"; deep drawers are 6 7/8". Base cabinet interior front-to-back depth is 20 11/16", Vanity is 17 15/16", and Vanity Space Saver is 14 11/16".

STANDARD DOVETAIL WOOD DRAWER WITH UNDERMOUNT GUIDE SYSTEM

5/8" sides, fronts and backs are solid hardwood. Drawer sides, fronts and backs are joined with half blind dovetail joints.

Nominal 3/16" Medium Density Fiberboard (MDF) (plywood for Optional All Plywood Construction) drawer bottom has laminate surface for easy cleaning. Drawer bottom is joined to the drawer sides, front and back on all 4 sides with a groove.

Hardwood drawer components are finished with clear sealer and topcoat on exposed surfaces. Standard drawer interior height is 2 3/4"; deep drawers are 5 3/4". Base cabinet interior front-to-back depth is 19 13/32", Vanity is 16 7/16" and Vanity Space Saver is 13 1/2".

Full extension soft close undermount guide system is concealed, self closing and can be adjusted to align the drawer head.

TOEKICK

1/2" thick engineered wood. Toekick extends from floor to bottom of cabinet, closing the toe kick area. Toekick Cover is required and sold separately.

OPTIONAL ALL PLYWOOD CONSTRUCTION TOEKICK

1/2" thick plywood. Toekick extends from floor to bottom of cabinet, closing the toe kick area. Toekick Cover is required and sold separately.

HINGES

Traditional overlay door styles come with fully concealed European style SoftAction hinges that feature 105° opening, 6-way adjustment, and a self closing feature on most doors.

Full overlay door styles come with fully concealed European style SoftAction hinges that feature 107° opening, 6-way adjustment, and a self closing feature on most doors.

Some corner cabinets using concealed hinges will have hinges with wider opening capability for improved access.

MATCHING INTERIORS

Matching interior is standard on Base Microwave Cabinets (BMC), Bookcase Cabinets (BK), Door Storage (DOS), Wall China Display (WCD), Wall Lattice (WL) and Wall Microwave Cabinets (WMS, WMC, WMSC), Vanity Wall Boutique (VWB), Wine Storage Cabinet (WSC).



MERRILLAT CABINETRY

CERTIFIED CABINET AND FACILITY

Fire Resistance

Overlaid engineered wood used for cabinet construction has been tested in accordance with UL standard recognized-ASTM E 162-90-Standard Test Method for Surface Flammability of Materials, using a radiant heat energy source, and HUD Standard 3280.203, .204 and .209.

Formaldehyde Emissions Levels

Formaldehyde emissions comply with requirements of 24 CFR, Part 3280 (August 9, 1984), the HUD rule on Manufactured Home Construction and Safety Standards and 29 CFR Part 1910 (May 27, 1992), the OSHA rule on Occupational Exposure to Formaldehyde.

Formaldehyde emissions for raw engineered wood is restricted to 0.3 parts per million.

In keeping with our policy of continuous refinement, Merillat® cabinetry reserves the right to alter specifications and styles without general notice or obligation to make similar changes in products previously manufactured.

Merillat® cabinetry carries the seal of the Kitchen Cabinet Manufacturers Association (KCMA) Certification Program, which assures that our cabinets meet or exceed the rigorous standards set by the American National Standards Institute (ANSI). Our cabinets are also independently tested to ANSI/KCMA A161.1-2000 and paragraph 611-1.1, "HUD Minimum Property Standards-Housing 4910.1" 9-8-86.

Merillat® demonstrates its commitment to environmental sustainability through meeting or exceeding the requirements as outlined in the Environmental Stewardship Program certification, administered by the KCMA.

All Merillat® facilities have also obtained ISO 14001 certificate of approval, demonstrating our commitment to reducing the impact of operations on the environment.



MEMBER OF THE KITCHEN CABINET MANUFACTURERS ASSOCIATION (KCMA) CERTIFICATION PROGRAM. FOR MORE INFORMATION, VISIT US AT WWW.KCMA.ORG



ANSI/KCMA A161.1



CODE	PAGE	CODE	PAGE	CODE	PAGE	CODE	PAGE	CODE	PAGE
#		BEC	E12	DPK	E29	MVEP	G12	RVS	G15
3	C14	BEP	E20	DPR	F3	MWEP	D19	RWS	D25
5	C14	BEPF	E23	DSB	E8	N		S	
9	C10	BEPP	E20	DSR	D26	NBM	K6	SADO	L10
12	C10	BF	E23	DSTK	L8	O		SB	E6-E7
15	C10	BFC	E24	DWP	E11	O	H4	SBA	E17
18	C10	BFF	E24	E		OCO	D27	SBP	K8
21	C10	BFOLC	E25	EB	L9	OCS	F4	SBT	K8
24	C10	BFPST	E8	EPLR	K5	OCSP	F5	SCARC	L9
1FT	C11	BK	D11	F		OCU	F5	SCM	K8
1ST	C11	BLS	E16	FA	D22, E31, G14	ODK	F5	SCV	K7
1WF	C11	BMC	E10	FDS	C12	OL	D24, E25, F9, G13	SDIK	E30
1WT	C11	BOCU	E10	FEP	F10	OSC	K3	SDO	D27
2DF	C12	BPO	E3	FFA	D22, E31, G14	OSCP	K3	SF	E8-E9
2DT	C12	BPPS	E3	FLS	D18	P		SFA	E17
2FT	C11	BSD	E2	FS	J5, L14	PB	E5, J1-J2	SFB	E28
2ST	C11	BSOS	E28	G		PBBC	E19	SFDB	E28
2WF	C11	BTK	J5-J6	GD	C12	PC	F2	SGH	D27
2WT	C11	BWBFMK	E27	GDEFESMBB	L2	PCSK	J3	SHCLP	L6
3ST	C11	BWBT	E2	GDESM	L1	PDDO	E30	SHO	K8
3WT	C11	BWBTK	E27	GDEUM	L2-L3	PDOPK	E30	SHSUP	L7
4DT	C12	C		H		PFT	K11	SLDO	L16
4ST	C11	CCK	L13	HDFS	J4	PG	C12	SM	K7
4WT	C11	CCM	K2	HDS	C10	PLB	K12	SP	K11
6DT	C12	CCPC	L13	HIN	L5-L6	PM	C13	SPM	K7
6ST	C11	CCDC	L13	HSD	E11	PP	C13	SPR	F3
6WT	C11	CDI	E29	HTK	L10	PR	C13	STB	E30, J4
A		CFB	K5	I		PSP	K11	STR	K9
ACCESSDFAB	L16	CFO	C14	ICM	K3	PW	D3	SWEOS	D12
ACCESSDFAVB	L16	CGPB	J2	ICPM	K3	PWA	D8	SWS	K8
ACM	K1	CM	K4	ILR	K5	PWBC	D8	T	
ACMFM	K1	CR	K2	K		QCST	L14	TBV	J4
ADO_-FO	L11-L12	CSO	C14	KSCCK	E28	QGL	L14	TEP	F6
ALR	K2	CTD	K3	L		QP	L14	TEPF	F10
ANC	K10	CTS	E22	LKDVUM	L3	QR	K6	TF	F9, G14, K5
ANFT	K10	CVC	K11	LM	K6	QST	L14	TF3-84	F9, G14
ANLB	K10	CVFT	K11	LS	D26	R		TKBK	E31
AOSC	K2	CVLM	K4	LSTCM	K5	RAAUMF	L5	TKCL	E32, F12, G16, H4
B		CVLR	K4	LSTR	K9	RBS	E26	TKCUL	I7
B	E1-E3	CVXLM	K4	M		RBS5424	E26	TKCUV	I7
BACKPLUG2H	L9	D		MBEP	E20	RCM	K7	TKCV	E32, F12, G16, H4
BAR	E16	DDO	H1	MC	G11	REP	F7	TLR	K9
BB	E21	DDR	H1	MCW	D14	RHB	D16	TP	L14
BBC	E18	DDWP	E10	MDEP	H3	RHF	D15	TSCP	L14
BC	E21	DEPC	H3	MG	C13	RM	K7	TSCT	L14
BCA	E12	DFD	H2	MI	C14	RMB	L3-L4	TUK	L14
BCD	E4	DIP	E11	MM	K6	ROT	J9	TVMC	G11
BCF	E21	DIRS	L9	MTEP	F8	RHS	D15	U	
BCFS	E14	DKD	H2	N		RSF	E9	U	F1-F2
BCR	E15	DKDT	H2	O		RSP	K11	UAP	J2
BD	E4	DM	K4	S		RTS	F11	UB	I1-I2
BDTK	J6-J7	DOKN	E29	T				UBBC	I3
BEA	E13	DOKW	E30	U				UBCR	I4
		DOS	D17					UBD	I2

CODE	PAGE	CODE	PAGE	CODE	PAGE	CODE	PAGE	CODE	PAGE
UBLS	I4	WHL	D16						
UBMC	I4	WL	D12						
UBSF	I5	WMC	D9						
UBT	I2	WMS	D10						
UCM	K9	WMSC	D9						
UCS	D18	WNC	K12						
UCSC	D18	WR	D2						
UCTRASPAPK	L8	WSC	D12						
UFSB	I6	WSM	K7						
URSF	I6	WTDK	E31						
USB	I5	WTDRO	E31						
USFCK	I5								
USK	J3								
UTK	E31								
V									
V	D20								
VB	G1-G3								
VBT	G3								
VCD	G4								
VCDT	G5								
VD	G3								
VDTK	J10								
VDTKS	J10								
VF	G13								
VFF	G13								
VFPST	G9								
VGP	J2								
VHRO	G16								
VLC	G6								
VLSK	J3								
VNTCLPPK	L8								
VSB	G7-G8								
VSBT	G8								
VTK	C14, J7								
VTKS	J8								
VW	G10								
VWB	G10								
VWR	G11								
W									
W	D1-D2								
WA	D5								
WB	D21								
WBC	D7								
WCA	D14								
WCD	D12								
WCF	D21								
WEC	D13								
WEP	D19								
WEZR	D4								
WF	D22								
WFC	D23								
WFF	D22								
WFP	D24								
WHB	D15								
WHCC	D15								



MERILLAT CABINETRY

Cabinetworks Group Michigan, LLC 25 Year Limited Warranty.

Cabinetworks Group Michigan, LLC warrants to the original consumer purchaser that our Merillat Classic® Collection cabinetry will be free from defects in material and workmanship under normal use for a period of TWENTY-FIVE (25) YEARS from date of purchase. This warranty is not transferable. No changes or modifications can be made to this warranty except by an officer of Cabinetworks Group Michigan, LLC.

Cabinetworks Group Michigan, LLC may elect to repair or replace any defective Merillat Classic product covered by our warranty. THIS WARRANTY DOES NOT COVER:

- The natural aging or darkening of wood color, or the inherent growth characteristics of, or variation, in wood.
- Defects caused by misuse, abuse, negligence, alterations, environmental conditions, improper installation, storage or handling.

As with other natural materials, wood is affected by environmental factors such as natural and artificial lighting. Darkening or mellowing of the wood can be expected and is a natural process of wood as it ages. Each wood species also exhibits its own distinctive patterns and characteristics that add to its natural beauty. These variations in color and characteristics are not considered imperfections or defects.

Cabinetworks Group Michigan, LLC further provides a Lifetime Limited Warranty on the door hinges and drawer guides to the original consumer purchaser for as long as you own the product. This Lifetime Limited Warranty provides that the door hinges and drawer glides will be free from defects in material and workmanship under normal use. Replacement hinges and drawer glides are subject to their availability from our suppliers.

From time to time, we will change design, specifications and materials as conditions require and improvements are developed, but we have no obligation to incorporate such changes in products we previously manufactured.

TO THE MAXIMUM EXTENT PERMITTED BY APPLICABLE LAW, THIS WARRANTY DOES NOT COVER INDIRECT, SPECIAL, INCIDENTAL, OR CONSEQUENTIAL DAMAGES, LOSS OF USE, OR LABOR EXPENSES IN UNINSTALLING OR INSTALLING ANY MATERIAL OR PARTS, WHETHER ARISING OUT OF BREACH OF WARRANTY, BREACH OF CONTRACT, NEGLIGENCE, TORT, OR ANY OTHER LEGAL THEORY, EVEN IF CABINETWORKS GROUP MICHIGAN, LLC HAS BEEN ADVISED OF THE POSSIBILITY THEREOF. CABINETWORKS GROUP MICHIGAN, LLC DISCLAIMS RESPONSIBILITY FOR DAMAGES IN EXCESS OF YOUR PURCHASE PRICE. Some provinces and some states do not allow the exclusion or limitation of incidental or consequential damages, so the above limitation or exclusion may not apply to you

This warranty is only valid in the United States of America and Canada. This warranty gives you specific legal rights, and you may also have other rights which vary from state to state and from province to province.

To obtain performance under this warranty, you must contact your Merillat Classic supplier and report, in writing, all defects claimed and provide your original sales receipt or other documentation acceptable to Cabinetworks Group Michigan, LLC. If you have difficulty obtaining assistance, write to: Merillat Classic Warranty Department, Cabinetworks Group Michigan, LLC, 15535 South State Ave. Middlefield, Ohio 44062 USA.

For cabinetry purchased on or after January 5, 2009

Together with you,

WE CREATE POSSIBILITIES

merillat.com

cabinetryinfo.com



MERILLAT CABINETS