



We are America's Cabinetmaker.®



CLASSIC™
PRODUCT LINE
SPEC BOOK

OUR
CORNERSTONE
PRODUCT
LINE



We are America's Cabinetmaker.®

Looking for Merillat Classic® sales support? These resources can help.

Merillat.com

This consumer-facing website offers many ways to inspire organizational solutions in beautiful cabinetry options, as well as drive business to our dealers. Here are some highlights:

- View inspirational designs and photos.
- Download floor plan drawings from photosets to gather design ideas.
- Visualize door styles by wood species and finish.
- Use the "Features & Accessories for Your Lifestyle" to view organizational solutions by room type.
- Engage consumers by directing them to the "Step-by-Step Kitchen Planner" to create a mood board to share with their designer.
- Educate consumers about wood characteristics, installation, Merillat sustainability initiatives, and dos and don'ts of cabinetry care.

MerillatBusiness.com

If you're not currently registered for MerillatBusiness.com, you could be missing important product and brand information that can assist you with your Merillat sales efforts. It's quick and easy, so visit the site and register today. It will enable you to:

- Check order status.
- Download or order product literature, like the product brochure, specification and price books, door/style finish codes, and 20-20 Design updates. (For questions on 20-20 Design, email ecatalogsupport@mascocabinetry.com.)
- Download promotional materials, such as brand campaign print ads, direct mail postcards, videos and counter cards.
- Order samples and displays, like wood chips, selection centers, and sample doors and backer cards.

Automated Orders proCAB™

proCAB™ is an online, web-based, real-time order management solution available for Merillat Cabinetry product lines. Sign up today if you don't already have an account. Benefits of proCAB™ are:

- Order Entry and Inquiry
- Import Kitchen Designs from 2020
- No Charge Shortage and Damage Ordering
- Quote Order Capabilities
- Expedite Requests
- Shipment Status Inquiry
- Product Inquiry Search
- Document Imaging to retrieve copies of acknowledgements, invoices, and shipping reports
- ACH electronic payment of your invoices
- Outstanding Invoices
- View open and paid invoices
- View check number that paid a specific invoice and payment receipts

For more information, please contact us directly at **(866) 626-1621** or proCABsupport@mascocabinetry.com

Order Confirmation and Tracking

You can monitor your order using Merillat Business or proCAB. Simply login to review your confirmation that your order has been received and to also track its progress.

Merillat Classic® Cancellation Policy

Merillat Classic® cabinetry is made to order. That means we don't start building your cabinets until your order is placed. Due to our fast 10-day shipping schedule, orders are fulfilled as quickly as possible, affecting our ability to accept cancellations. To consistently maintain the quick 10-day shipping schedule, our policy is that orders cannot be canceled once placed.

Merillat Customer Care Resources

Electronic means are convenient, but sometimes you just need to talk to a person, and Merillat Customer Care consultants are here to help. Your consultant can help you:

- Order product.
- Follow up on orders or track delivery progress.
- Discuss product situations or address invoice questions.

Your Merillat® Account Manager is there to help you ... every step of the way. Make sure to contact them whenever you have questions, concerns or need information.

Additional assistance is available through Customer Care:
(855) 896-9803 or distribution@mascocabinetry.com

Hours M-F 8:00 am – 6:00 pm EST

For Order Placement:

Fax **(866) 998-4432** or orderentry@mascocabinetry.com

Kitchen Cabinet Manufacturers Association



All products impact the environment. For ESP program criteria, visit greencabinetsource.org.



Merillat® cabinetry carries the seal of the Kitchen Cabinet Manufacturers Association (KCMA) Certification Program, which assures that our cabinets meet or exceed the rigorous standards set by the American National Standards Institute (ANSI). Our cabinets are also independently tested to ANSI/KCMA A161.1-2000 and paragraph 611-1.1, "HUD Minimum Property Standards-Housing 4910.1" 9-8-86.

Merillat Cabinetry demonstrates its commitment to environmental sustainability through meeting or exceeding the requirements as outlined in the Environmental Stewardship Program certification, administered by the KCMA.

All Merillat Cabinetry facilities have also obtained ISO 14001 certificate of approval, demonstrating our commitment to reducing the impact of operations on the environment.

Construction and assembly methods may vary from what is shown in samples and imagery, but do not affect KCMA certification or performance standards of products.



We are America's Cabinetmaker.®

Specifications

©2017

Table of Contents

What's New	1-6	Vanity Cabinets	G1-G14
What's New	2	Vanity Cabinets	G1-G10
Code System	3-4	Vanity Accessories	G11-G14
Understanding Product Codes	5		
Index	i-ii	Office Cabinets	H1-H6
		Office Cabinets	H1-H3
		Office Accessories	H4-H6
Door Styles	A1-A20	Universal Access Cabinets	I1-I6
Finishes	B1-B2		
Cabinet Specifications and Options	C1-C14	Panels-Shelving-Trays	J1-J12
Cabinet Specifications	C1-C6	Panels	J1-J3
Construction Options	C7-C14	Shelving	J4-J7
		Trays	J8-J12
Wall Cabinets	D1-D26	Decorative Enhancements	K1-K18
Wall Cabinets	D1-D4	Supports & Valances	K1-K2
Wall Corner Cabinets	D5-D9	Moldings	K3-K11
Wall Open Cabinets	D10-D12	Molding Accents	K12-K14
Wall Appliance Cabinets	D13-D15	Decorative Hardware Knobs	K15-K16
Wall Hoods	D16-D17	Decorative Hardware Pulls	K17-K18
Wall Accessories	D18-D26		
Base Cabinets	E1-E36	Replacement Parts	L1-L28
Base Cabinets	E1-E6	Hardware	L1-L12
Base Sink Cabinets	E7-E13	Touch Up	L13-L15
Base Corner Cabinets	E14-E20	Sales Doors	L16
Base Appliance Cabinets	E21-E23	Replacement Parts	L17-L26
Base Accessories	E24-E36	Framed Cabinet Specifications	L27-L28
Tall Cabinets	F1-F10	Use and Care	M1-M2
Tall Cabinets	F1-F3	Use and Care	M1-M2
Tall Appliance Cabinets	F4-F6		
Tall Accessories	F7-F10	Index	N1-N2
		Nomenclature Index	N1-N2

What's New for the Merillat Classic® product line in 2017

New

Watch for this icon highlighting new items

Watch for grey codes and this note highlighting new models or codes

WSC1818

Gray color coding indicates new product, size or code

New Product	
Doors	Page
Lanielle in Textured Laminate	A11
Rowan in Cherry and Maple	A14
Finishes	Page
Graphite Paint	B2
Graphite w/Desert Accent	B2
Graphite w/Desert Glaze	B2
Graphite w/Tuscan Accent	B2
Graphite w/Tuscan Glaze	B2
Mist Paint	B2
Mist w/Desert Accent	B2
Mist w/Desert Glaze	B2
Mist w/Tuscan Accent	B2
Mist w/Tuscan Glaze	B2
Sable on Red Oak	B1
Shale w/Desert Accent	B2
Shale w/Desert Glaze	B2
Shale w/Ebony Accent	B2
Shale w/Ebony Glaze	B2
Construction Options	Page
Installed Wood Trays	C11
Glass Door Option in:	C13
Avenue, Portrait, Seneca Ridge, Somerton Hill, Spring Valley, Sutton Cliffs	
Prepared for Glass Door Option in:	C13
Avenue, Portrait, Seneca Ridge, Somerton Hill, Spring Valley, Sutton Cliffs	
Case Only Option (CSO)	C14
Wall Cabinets	Page
Wall Single Door in 12"H, 15"H, 18"H	D1
Message Center Wall in 30"H, 36"H, 39"H, and 42"H	D4
Wall Angle Single Door in 18"H	D7
Wine Storage Cabinet in 18"H, and 24"H	D12
Matching Mantle Hood Front in 30"W and 36"W	D16
Range Hood Front in 30"W and 36"W	D16
Floating Shelves	D18
Wall End Panels in Textured Laminate in 30"h, and 42"H	D25
Base Cabinets	Page
Base End Panel in Textured Laminate	E34
Toekick Cover Laminate in Textured Laminate	E34
Base End Panel Filler in Textured Laminate in 3"W, and 6"W	E35
Tall Cabinets	Page
Refrigerator End Panel in Textured Laminate	F6
Toekick Cover Laminate in Textured Laminate	F8
Tall End Panel in Textured Laminate in 84"H and 96"H	F8
Tall End Panel Filler in Textured Laminate in 3"W and 6"W	F9
Vanity Cabinets	Page
Vanity Base in 18"Deep	G sect.
Toekick Cover Laminate in Textured Laminate	G13
Office Cabinets	Page
Toekick Cover Laminate in Textured Laminate	H4
Panels, Shelving, and Trays	Page
Panel Backer Paper in Textured Laminate	J1
Panel Backer Paper Tall in Textured Laminate	J2
Replacement Shelves	J7
Base Tray Kit Double Faced Standard in 36"	J8
Vanity Tray Kit - Space Saver in 21"	J10
Vanity Deep Tray Kit in 12", 15", 18", 21", 24", 27B, 30B, 33B, 36B	J12
Vanity Deep Tray Kit - Space Saver in 12", 15", 18", 21", 24", 27B, 30B, 33B, 36B	J12

New Product	
Decorative Enhancements	Page
Valance Traditional in Textured Laminate	K2
Corner Molding in Textured Laminate	K4
Cove Molding in Large in Solid Wood and Textured Laminate	K5
Cove Molding in Extra Large in Solid Wood and Textured Laminate	K5
Cove Light Rail Molding	K5
Angle Crown Molding in Textured Laminate	K5
Quarter Round Molding in Textured Laminate	K8
Scribe Molding in Textured Laminate	K8
Ansel Corbel in Small and Large	K13
Ansel Foot	K13
Ansel Leg Base	K13
Cove Corbel in Small and Large	K14
Cove Foot	K14
Wincott Corbel in Small and Large	K14
Replacement Parts	Page
Face Mount Hinge in SoftAction	L5
Full Overlay 6 Way Hinge in SoftAction	L6
Traditional Overlay 6 Way Hinge in SoftAction	L6
Door Stop Kit	L9
Edge Banding in Textured Laminate	L9
Laminate Aluminum Accessory Glass Door and Prep for Glass Door	L11-L12

What's Changed
SoftAction Hinges are now available as standard, offered on most cabinets

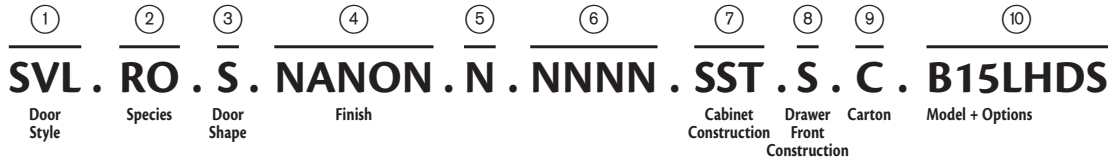
What's Discontinued	
Finishes	
Cider in Cherry	
Cider w/Java Glaze in Cherry	
Doors	
Lariat in Maple and Cherry	
Wall Cabinets	
Wall Wine Rack Scalloped	
Wall Hood Cove	
Range Hood Front Spindle Railing	
Base Cabinets	
Base Wastebasket Floor Mount Single in 6-count quantity	
Panels, Shelving, and Trays	
Shelf Top and Bottom STB1813 and STB1821	
Toeboard/Valance TBV18	
Decorative Enhancements	
Contemporary Crown Molding	
Galley Rail	
Inset Light Rail	
Tapestry Insert Molding	
Windmere Rope Molding	
Estero Collection	
Tapestry Collection	
Windmere Collection	
Spindles RSP5-42 and RSP5-42-UF	

Code System

Merillat Ordering Code

Merillat builds its order code from global options, model, and model options which together define an orderable item. The order code is created from the door, finish, construction, cartoning, model and model options to complete the order code. The order code can incorporate all possible combinations available in the Merillat product line. Each order code must be complete to be recognized as a unique product. By understanding the Merillat code system you can identify any product with any variation or option in one place.

Following is a breakdown of each order code segment and how it combines to make a full order code. Each segment is identified with an identification number. That number will be repeated on this page and every page where the specification of product relates to a segment position of the order code.



① Door Style	Code
Arbor Falls II	ABF
Avenue	AVE
Bayville	BVE
Bellingham	BLH
Cannonsburg	CSB
Fox Harbor	FXR
Fusion	FSN
Glen Arbor	GNA
LaBelle	LBL
Lanielle	LNE
Portrait	PRT
Ralston	RAL
Rowan	RWN
Seneca Ridge	SNR
Somerton Hill	SMH
Spring Valley	SVL
Sutton Cliffs	STC
Tolani	TLN
Whitebay II	WHB

② Species	Code
Cherry	CH
Hickory	HK
Maple	MP
Red Oak	RO
Textured Laminate	TL
Thermofoil	TH

③ Door Shape	Code
Arch	A
Square	S
Slab	B

④ Stain Finishes	Code
Amaretto	ARNON
Dusk	DSNON
Hazelnut	HZNON
Kona	KONON
Natural	NANON
Paprika	PPNON

Pecan	PCNON
Sable	SBNON
Sedona	SDNON
Toffee	TFNON

④ Stain w/Glaze Finishes	Code
Amaretto w/Java Glaze	ARJVZ
Hazelnut w/Java Glaze	HZJVZ
Natural w/Java Glaze	NAJVZ
Paprika w/Ebony Glaze	PPEBZ
Sable w/Ebony Glaze	SBEBZ
Toffee w/Java Glaze	TFJVZ

④ Stain w/Accent Glaze Finishes	Code
Hazelnut w/Java Accent	HZJVA
Natural w/Java Accent	NAJVA
Sable w/Ebony Accent	SBEB A
Sedona w/Ebony Accent	SDEBA
Toffee w/Java Accent	TFJVA

④ Painted Finish	Code
Chiffon	CHNON
Cotton	CTNON
Graphite	GPNON
Mist	MSNON
Shale	SENON

④ Painted Finish w/Accent Glaze	Code
Chiffon w/Desert Accent	CHDSA
Chiffon w/Tuscan Accent	CHTNA
Cotton w/Tuscan Accent	CTTNA
Graphite w/Desert Accent	GPDSA
Graphite w/Tuscan Accent	GPTNA
Mist w/Desert Accent	MSDSA
Mist w/Tuscan Accent	MSTNA
Shale w/Desert Accent	SEDSA
Shale w/Ebony Accent	SEEB A

④ Painted Finish w/Glaze	Code
Chiffon w/Desert Glaze	CHDSZ
Chiffon w/Tuscan Glaze	CHTNZ
Cotton w/Tuscan Glaze	CTTNZ
Graphite w/Desert Glaze	GPDSZ
Graphite w/Tuscan Glaze	GPTNZ
Mist w/Desert Glaze	MSDSZ
Mist w/Tuscan Glaze	MSTNZ
Shale w/Desert Glaze	SEDSZ
Shale w/Ebony Glaze	SEEBZ

④ Thermofoil Finishes	Code
White	WHNON

④ Textured Laminate Finishes	Code
Cavern	CVNON
Whisper	WPNON

⑤ This attribute is being held for future use to indicate special finishing options

N

⑥ This attribute is being held for future use to indicate special construction material options

NNNN

⑦ Cabinet Construction

⑦a Cabinet Construction Code	⑦b Drawer Box Code	⑦c Thick Shelf Code
S, P, A	S, D	T

Options	Code
Standard Construction, Standard Drawers, Thick Shelves	SST
Standard Construction, Dovetail Drawers, Thick Shelves	SDT
Standard Construction with Plywood Ends, Standard Drawers, Thick Shelves	PST
Standard Construction with Plywood Ends, Dovetail Drawers, Thick Shelves	PDT
All Plywood Construction, Dovetail Drawers, Thick Shelves	*ADT

*Only available with Dovetail Drawers

⑧ Drawer Front Construction	Code
Solid Drawer Front	S
3-Piece Drawer Front	3
Option upgrade on Tolani	
5-Piece Drawer Front Option	5
Option upgrade on Avenue, Cannonsburg, Portrait, Ralston, and Rowan. Standard on Bayville, Bellingham, and Labelle.	

⑨ Cartoning	Code
Cartoned	C

⑩ Model + Options

Code must appear in the order listed below. Not all code slots need to appear in the model + option code, just the options that apply.

⑩a Model	⑩b Depth	Code	⑩c Hinging	Code	⑩d Tray/Shelf	Code	⑩e Glass Door	Code	⑩f Matching Interior	Code	⑩g Partial Cabinet	Code
W1842	9" deep	09	Left	L	Half Depth Shelf	HDS	Glass Door	GD	Matching Interior	MI	Cabinet Front Only	CFO
B21	12" deep	12	Right	R	Full Depth Shelf	FDS	Prepared for Glass Door	PG			Case Only	CSO
B30	15" deep	15			1 Wood Tray	1WT	Mullion Glass	MG				
U159624	18" deep	18			2 Wood Trays	2WT	Prepared for Mullion Glass	PM				
VCD2435DL	21" deep	21			3 Wood Trays	3WT	Prairie Glass	PR				
	24" deep	24			4 Wood Trays	4WT	Prepared for Prairie Glass	PP				
					6 Wood Trays	6WT						
					1 Standard Tray	1ST						
					2 Standard Trays	2ST						
					3 Standard Trays	3ST						
					4 Standard Trays	4ST						
					6 Standard Trays	6ST						
					1 Wood Full-Width Tray	1WF						
					2 Wood Full-Width Trays	2WF						
					1 Standard Full-Width Tray	1FT						
					2 Standard Full-Width Trays	2FT						
					2 Deluxe Trays	2DT						
					4 Deluxe Trays	4DT						
					6 Deluxe Trays	6DT						
					2 Deluxe Full-Width Trays	2DF						

Model + Option Code Examples

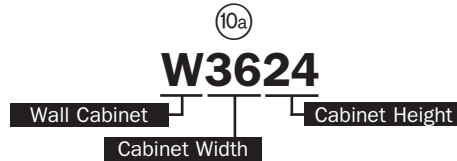
	Code
Wall Single Door Cabinet 18" Wide x 42" High x 12" Deep Hinged Right Mullion Glass Door with Matching Interior	W1842RMGMI
Wall Single Door Cabinet 18" Wide x 42" High x 15" Deep Hinged Right Mullion Glass Door with Matching Interior	W184215RMGMI
Base Single Door Cabinet 21" Wide Hinged Right with 2 Deluxe Trays	B21R2DT
Base Double Door Cabinet 30" Wide with Half Depth Shelf	B30HDS
Base Double Door Cabinet 30" Wide with 4 Standard Trays	B304ST
Utility Cabinet Single Door 15" Wide x 96" High x 24" Deep Hinged Right	U159624R
Vanity Combination Drawer 24" Wide x 34 1/2" High Drawers Left	VCD2435DL

Understanding Product Codes

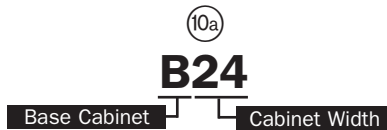
Standard Cabinets

Wall Cabinet widths are always listed first followed by height. A standard wall cabinet is 12" deep except for Wall Refrigerator Cabinets which have a standard depth of 24". Thus 36 is the width, 24 is the height and depth is 12". Depth is only listed as the last two numbers when depth is other than standard.

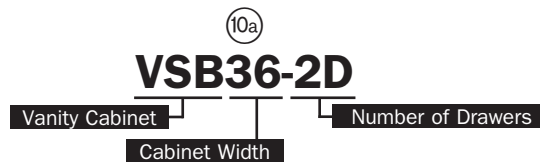
Tall cabinets follow the same sequence characteristics as Wall Cabinets; width first followed by height (eg: U 1884). In those instances where the cabinet depth is greater than 12", the sequence is width and height, followed by depth (eg: U 188424).



Base Cabinets are simpler than Wall Cabinets because the height (34 1/2" plus 1 1/2" for the countertop) and the depth (24") are always the same unless otherwise noted. The only numbers you need to know are the width.

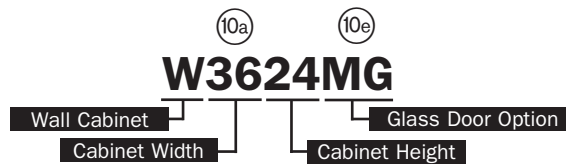


Vanity Cabinets are similar to Base Cabinets; the numbers are used to represent the width. Vanity Sink Base Cabinets are either 31 1/2" or 34 1/2" high plus 1 1/2" for the countertop. This particular cabinet is 31 1/2" high and comes standard with two drawers and is located at the end of the code.

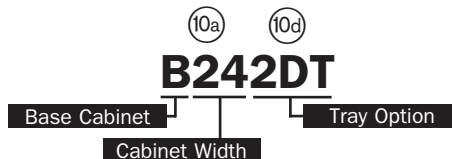


Cabinets with Options

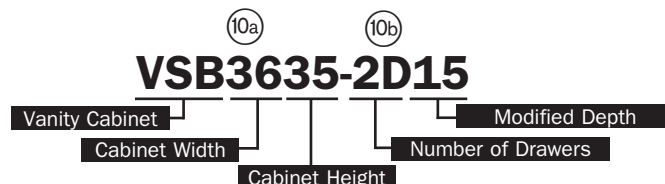
Glass Doors are an available option for select Wall Cabinets. Previously, Wall Cabinets with Glass Doors were listed as different cabinets. Now that Glass Doors are options, we can provide you with more focused information; less clutter. The Mullion Glass Door option has been chosen for this cabinet. The code looks the same as it did before with (MG) placed at the end.



Trays are an available option for select Base Cabinets. Like Glass Doors, previously Base Cabinets with Trays were listed as different cabinets. With Trays becoming clear options, we are able to communicate with greater detail the different trays to choose from and the availability of the option with ease. The option of 2 Deluxe Trays has been chosen for this cabinet. The code looks the same as it did before with (2DT) placed at the end.



We now offer Modified Depth options in increments of 3". Previously we offered only limited depths to cabinets. These predetermined depths were listed as separate cabinets making it difficult to see the selections. Now with six options of Modified Depth to choose from, you are able to interact with our products on a truly semi-custom level. The option of reduce to 15" deep has been chosen for this cabinet. This cabinet is 36" wide, 34 1/2" high with 2 drawers and a modified depth of 15".



Notes

ITEM	PAGE	ITEM	PAGE	ITEM	PAGE
1		C		H	
170 Degree Hinge	L5	Cabinet Care Kit	L13	Half Depth Shelf	C10
		Cabinet Cleaning and Polishing Cloths	L13	Hardware Template Kit Universal	L10
3		Cabinet Dusting Cloths	L13	Heat Shield	E22
3/4 Extension Side Mount Roller Guide Kit	L1	Cannonsburg	A6	Heavy Duty Furniture Shelf Kit	J6
3/4 Extension Side Mount Roller Guide		Chair Rail Molding	K4		
Peninsula Base Kit	L1	Chrome Traditional Pull	K18	K	
3/4 Extension Side Mount Roller Guides	L1	Classic Crown Molding	K6	Knife Section Cutting Center Kit	E26
3/4" Shelf Clip	L7	Cookbook Rack Pull-Down	D19		
3/4" Shelf Clip with Stop	L7	Copper-Pewter Knob	K15	L	
		CoreGuard Sink Base	E7	LaBelle	A10
A		CoreGuard® Panel Backer	J3	Lamine Aluminum Accessory Glass Door	
Angle Crown Molding	K5	Corner Molding	K4	and Prep for Glass Door	L11-L12
Angled Outside Corner Molding - 135°	K4	Countertop Molding - Decorative Edge	K5	Lanielle	A11
Ansel Corbel	K13	Countertop Support Bracket	K1	Lazy Susan Revolving Shelf Kit (One Shelf)	D18
Ansel Foot	K13	Cove Corbel	K14	Lazy Susan Revolving Shelf Kit (Three Shelves)	D19
Ansel Leg Base	K13	Cove Foot	K14	Library Molding	K7
Antique Iron Knob	K15	Cove Light Rail Molding	K5	Locking Device - Full Extension Heavy Duty	
Antique Pewter Braided Knob	K15	Cove Molding	K5	Under Mount SoftAction+ Guides	L3
Antique Pewter Braided Pull	K17	Crown Molding	K6	Locking Device - Full Extension Under Mount	
Antique Pewter Flower Knob	K15	Cutlery Divider	E26	SoftAction+ Guides	L3
Appliance Garage Tambour Diagonal	D15				
Appliance Garage Tambour Straight	D15	D		M	
Arbor Falls II	A2	Decorative Dishwasher Panel	E22	Matching Base End Panel	E35
Avenue	A3	Deep Sink Base	E11	Matching Desk End Panel	H5
		Deluxe Full-Width Trays	C12	Matching Mantle Hood Front	D16
B		Deluxe Trays	C12	Matching Tall End Panel	F10
Back Plugs	L9	Dentil Molding	K6	Matching Vanity End Panel	G13
Base Angle Revolving	E19	Depth Modification	C10	Matching Wall End Panel	D25
Base Blind Corner	E15	Desk Door	H1	Medicine Cabinet	G10
Base Box	E33	Desk Drawer	H1	Medicine Cabinet Pack Hinge	L6
Base Butt Door - Full Extension Tray	E3	Desk End Panel	H5	Message Center Wall	D4
Base Column	E33	Desk File Drawer	H2	Mirror Molding	K7
Base Column Fluted	E33	Desk Knee Drawer	H2	Mullion Glass Door	C13
Base Combination Four Drawer	E5	Desk Knee Drawer Trimmable	H3		
Base Corner Angle Butt Full-Height	E18	Dishwasher Panel	E22	N	
Base Corner Fixed Shelf	E18	Door and Frame Assembly Sales Samples	L16	Narrow Batten Molding	K7
Base Corner Revolving	E17	Door Insert Clip	L8		
Base Corner Revolving Wood Lazy Susan	E17	Door Insert Retaining Strip	L9	O	
Base Deep Tray Kit	J9	Door Pantry Rack	F3	Ochre Finished Ceramic Totem Knob	K16
Base Deep Tray Kit - Side Mount Full Extension	J9	Door Spice Rack	D18	Ochre Finished Ceramic Totem Pull	K17
Base Double Door	E2	Door Stop Kit	L9	Oil Rubbed Bronze Cup Pull	K17
Base Double Door Full-Height	E2	Door Storage Unit	D14	Oil Rubbed Bronze Round Knob	K16
Base End Angle Full-Height	E20	Drawer Organizer Kit Narrow	E27	Open Cube Organizer	D20
Base End Corner Full-Height	E19	Drawer Organizer Kit Wide	E27	Organizer	H4
Base End Panel	E34	Drawer Partition Kit	E26	Oven Cabinet Single	F5
Base End Panel Filler	E35	Drop-In Range Panel	E23	Oven Cabinet Support Platform	F6
Base Filler	E30	Dusty Copper Flower Knob	K15	Oven Cabinet Universal	F4
Base Filler Corner	E32			Oven Drawer Kit	F5
Base Filler Corner Overlay	E33	E			
Base Filler Pull-Out	E32	Edge Banding	L9	P	
Base Fluted Filler	E31			Panel Backer 3' Tall-Paper	J2
Base Four Drawer	E5	F		Panel Backer 3' Tall-Veneer	J2
Base Lazy Susan	E16	Face Mount Hinge	L5	Panel Backer-Paper	J1
Base Microwave Cabinet	E21	Fill Stick	L13	Panel Backer-Veneer	J1
Base Oven Cabinet Universal	E21	Filler Angle	D22, E31, G12	Pantry Cabinet Butt Door	F3
Base Pots and Pans Storage	E4	Filler Overlay	D23, E32, F7, G12	Pegged Deep Drawer Organizer	E28
Base Pull-Out	E6	Floating Shelves	D18	Peninsula Base Butt Door	E4
Base Single Door	E1	Fluted Filler Angle	D22, E31, G13	Peninsula Base Butt Door Blind Corner	E16
Base Single Door Full-Height	E1	Foil Box Rack	E28	Peninsula Base Double Door	E4
Base Swing-Out Shelves	E25	Fox Harbor	A7	Peninsula Base Single Door	E3
Base Three Door	E3	Full Depth Shelf	C10	Peninsula Base Single Door Blind Corner	E15
Base Three Drawer	E5	Full Extension Heavy Duty Under Mount		Peninsula Wall Angle	D8
Base Tray Kit - Double Faced, Standard	J8	SoftAction+ Guide Set	L3	Peninsula Wall Blind Corner	D7
Base Tray Kit - Standard	J8	Full Extension Side Mount Ball Bearing Guide Kit	L2	Peninsula Wall Double Door	D4
Base Wastebasket Floor Mount Kit Double	E24	Full Extension Side Mount Ball Bearing Guides	L2	Peninsula Wall Single Door	D3
Base Wastebasket Floor Mount Kit Single	E24	Full Extension Under Mount SoftAction+		Plain Square Post	K12
Base Wastebasket Top Mount	E6	Guide Kit	L2	Portrait	A12
Base Wastebasket Top Mount Kit	E24	Full Extension Under Mount SoftAction+ Guides	L3	Prairie Glass Door	C13
Bayville	A4	Full Extension Under Mount SoftAction+			
Bellingham	A5	Peninsula Base Guide Kit	L2		
Bi-Fold Hinge	L5	Full Overlay 6 Way Hinge	L6		
Black Ceramic Insert Pull	K17	Furniture Base	K7		
Black Ceramic Insert Round Knob	K16	Furniture End Panels	F9		
Black Nickel Knob	K15	Furniture Shelf Kit	J5		
Black Nickel Traditional Pull	K18	Fusion	A8		
Bookcase Cabinets	D10				
Bright Brass Traditional Pull	K18	G			
Bright Chrome Knob	K15	Glass Doors	C13		
Brushed Satin Pewter French Tassel Pull	K17	Glen Arbor	A9		
Brushed Satin Pewter French Tassel Round Knob	K16				

ITEM	PAGE	ITEM	PAGE	ITEM	PAGE
Q					
Quarter Round Molding	K8	Solid Bright Brass Knob	K15	Vanity Base Four Door Full-Height	G3
R					
Radius Cabinet Molding	K8	Solid Wood Stock	K10	Vanity Base Single Door	G1
Ralston	A13	Solid Wood Wall End Open Shelf	D11	Vanity Base Single Door Full-Height	G2
Range Hood Blower and Light Unit	D17	Somerton Hill	A16	Vanity Base Three Door Full-Height	G2
Range Hood Front	D16	Spice Drawer Insert Kit	E28	Vanity Combination Drawer Eight Drawer	
Rear Adjustment Adapter - Full Extension Heavy Duty Under Mount SoftAction+ Guides	L5	Spice Drawer Organizer	D20	Double Door	G6
Rear Mounting Bracket - 3/4 Extension Side Mount Roller Guides	L3	Spindles	K13	Vanity Combination Drawer Eight Drawer Single Door	G6
Rear Mounting Bracket - 3/4 Extension Side Mount Roller Guides Peninsula Base	L4	Spring Valley	A17	Vanity Combination Drawer Six Drawer	
Rear Mounting Bracket - Full Extension Side Mount Ball Bearing Guides	L4	Standard Full-Width Trays	C11	Double Door	G6
Rear Mounting Bracket - Full Extension Under Mount SoftAction+ Guides	L4	Standard Trays	C11	Vanity Combination Drawer Six Drawer Single Door	G5
Rear Mounting Bracket - Full Extension Under Mount SoftAction+ Guides DKD	L4	Starter Molding	K10	Vanity Combination Drawer Three Drawer	G5
Rear Mounting Bracket - Full Extension Under Mount SoftAction+ Guides Peninsula Base	L4	Stem Glass Holder	D19	Vanity Combination Drawer Two Drawer	G5
Refrigerator End Panel	F6	Sutton Cliffs	A18	Vanity Deep Tray Kit	J12
Removable Sink Front Double Door	E13	Swing-Out Pantry Rack	F3	Vanity Deep Tray Kit - Space Saver	J12
Replacement Shelves	J7	T			
Roll-Out Trays - Solid Wood	J11	Tall End Panel	F8	Vanity Drawer Four Drawer	G7
Rope Molding	K8	Tall End Panel Filler	F9	Vanity Drawer Three Drawer	G7
Rowan	A14	Tall Filler	F7, G11	Vanity Filler	G11
Rusty Flower Knob	K15	Tall Fluted Filler	F7, G12	Vanity Fluted Filler	G12
S					
Sales Door	L16	Tall Utility Cabinet 12" Deep	F1	Vanity Hamper Roll-Out	G11
Satin Aluminum Boat Cleat Transitional Pull	K17	Tall Utility Cabinet 24" Deep	F2	Vanity Linen Cabinet	G7
Satin Aluminum Knob	K15	Tapered Foot	K12	Vanity Linen Cabinet Tall	G8
Satin Nickel Canoe Pull	K17	Tapered Leg Base	K12	Vanity Sink Base Double Bowl	G3
Satin Nickel Diminishing Knob	K16	Toe Kick Backer	E30	Vanity Sink Base Double Door	G3
Satin Nickel Football Shaped Knob	K16	Toe Kick Cover - Laminate	E34,F8,G13,H4	Vanity Sink Base Two Drawer Double Door	G4
Satin Nickel Fusilli Pull	K17	Toe Kick Cover - Veneer	E34,F8,G13,H4	Vanity Sink Base Two Drawer Four Door	G4
Satin Nickel Knob	K15	Toeboard/Valance	J6	Vanity Sink Base Two Drawer Three Door	G4
Satin Nickel Rope Knob	K15	Tolani	A19	Vanity Tray Kit	J10
Satin Nickel Rope Pull	K17	Touch Up Kit	L14	Vanity Tray Kit - Space Saver	J10
Satin Nickel Suitcase Pull	K17	Touch Up Pen	L14	Vanity Wall - 4 3/4" Deep	G9
Satin Nickel Traditional Pull	K17	Touch Up Quart	L14	Vanity Wall Boutique - 7" Deep	G8
Satin Nickel Wavy Pull	K17	Touch Up Spray Can Primer	L14	Vanity Wall Boutique - 8" Deep	G9
Satin Nickel Wire Cable Pull	K17	Touch Up Spray Can Topcoat	L14	Venetian Bronze Copper French Lace Knob	K16
Scribe Cove Molding	K9	Towel Bar	E28	Vent Clip Pack	L8
Scribe Molding	K8	Traditional Overlay 6 Way Hinge	L6	W	
Seneca Ridge	A15	Tri-View Medicine Cabinet	G10	Wall Angle Single Door	D7
Shelf Kits	J5	Triple Bead Edging	K10	Wall Blind Corner Double Door	D6
Shelf Support Back Pack	L7	Triple Bead Pilaster	K11	Wall Blind Corner Single Door	D6
Shelf Support Center	L7	Tumbled Dark Gunmetal Mission Style		Wall Box	D24
Shelf Support Pack	L7	Ringed Pendant Pull	K17	Wall China Display	D11
Shelf Support Pack MG/PM - 24" and 30" High	L8	Tumbled Dark Gunmetal Round Knob	K16	Wall Column	D24
Shelf Support Pack MG/PM - 36" High	L8	U			
Shelf Support Pack MG/PM - 39" and 42" High	L8	Under Cabinet Corner Shelf	D20	Wall Corner Angle	D9
Shelf Top and Bottom	J6	Under Cabinet Molding	K11	Wall Double Door	D2
Shoe Molding	K9	Under Cabinet Shelf	D19	Wall Easy Reach	D8
Single Bead Pilaster	K9	Under Sink Tote	E30	Wall End Corner	D9
Single Bead Trim	K10	Universal Access Panel	J2	Wall End Panel	D25
Sink Base Angle	E12	Universal Base Corner Revolving	I3	Wall End Panel	D21
Sink Base Double Door	E9	Universal Base Double Door	I2	Wall Filler	D21
Sink Base Double Door Full-Height	E10	Universal Base Double Door - Full-Height	I2	Wall Filler Corner	D22
Sink Base Single Door	E8	Universal Base Lazy Susan	I3	Wall Fluted Filler	D21
Sink Base Single Door Full-Height	E8	Universal Base Single Door	I1	Wall Hood Blower	D17
Sink Front Angle	E12	Universal Base Single Door - Full-Height	I1	Wall Hood Classic Chimney	D16
Sink Front Angle Full-Height	E12	Universal Base Sink Front Butt Door - Full-Height	I4	Wall Hood Liner	D17
Sink Front Bottom	E25	Universal Base Sink Front Cabinet Kit - Full-Height	I4	Wall Lattice	D11
Sink Front Diagonal Bottom	E25	Universal Base Table Butt Door	I2	Wall Microwave Cabinet	D14
Sink Front Double Door	E11	Universal Base Three Drawer	I2	Wall Microwave Shelf	D13
Sink Front Double Door Full-Height	E11	Universal Base Toe Kick Cover - Laminate	I5	Wall Microwave Shelf Cabinet	D13
Sink Front Single Door	E10	Universal Base Toe Kick Cover - Veneer	I5	Wall Pull-Out Filler	D23
Sink Front Single Door Full-Height	E10	Universal Removable Sink Front Double Doors	I4	Wall Refrigerator	D3
Sliding Towel Bar - Chrome	E29	Utility Front	F2	Wall Single Door	D1
Soffit Crown Molding	K6	Utility Tray Hinge	L6	White Ceramic Knob	K15
SoftAction Door Hardware	L10	Utility Tray Kit	E29	White Fusilli Pull	K17
V					
		V-Groove Panel	J3	Whitebay II	A20
		Valance Raised Panel	K1	Wicott Corbel	K14
		Valance Shaker	K1	Wine Storage Cabinet	D12
		Valance Traditional	K2	Wire Tray Divider Kit	E29
		Vanity Base Double Door	G1	Wire Tray Divider Roll-Out	E29
		Vanity Base Double Door Full-Height	G2	Wood Full-Width Trays	C11
				Wood Trays	C11



Cherry



Hickory



Maple



Oak

Wood Species

Cherry is a rich multi-colored hardwood, often used in fine furniture. In its raw state, cherry has pinkish-brown hues with occasional shades of white, green, pink or grey. It may also contain small knots, pin holes and cherry fissures. A cherry fissure is a small crack that occurs naturally in the wood; it will not get bigger over time. Natural or light stains accent the color variations and characteristics in cherry, while dark stains soften its complexity. All cherry wood naturally darkens or “mellows” with age.

Hickory is a strong, open-grained wood that is known for its flowing grain pattern and dramatic variation in color. Hickory often contains random pecks, burls and mineral streaks. A single hickory door might vary from light to deep brown when finished in light or natural stains. Darker stains will mildly tone these color variations, but these very characteristics make each hickory kitchen unique.

Maple is a strong wood that is primarily off-white in its raw state. However, maple sometimes contains light hues of yellow-brown and pink as well as light tan or reddish-tinged streaks that darken with stain. Typically straight-grained, maple can be wavy or even curly. Hard maple offers more uniformity than other wood types, making it ideal for living spaces that feature a clean, streamlined appearance.

Oak is a strong, open-grained wood that ranges in color from white to yellow to reddish brown. Oak is sometimes streaked with green, yellow or black mineral deposits.

Textured Laminate doors are vertical wood grain textured laminate Medium Density Fiberboard (MDF), edge banded, with a solid color coordinating melamine back.

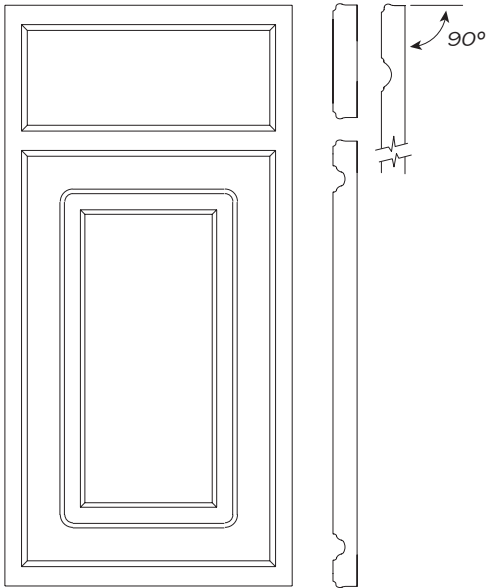
Thermofoil doors are made out of Thermofoil, which features a silky-smooth surface providing a uniform look from door to door. Thermofoil material is applied to medium-density fiberboard (MDF) using an intense heat and pressure-bonding process. The cabinetry face frame features solid hardwood finished to match the Thermofoil doors and drawer fronts. While great care has been taken to match the face frame to the doors and drawer fronts, texture and color variations can be expected. Prolonged exposure to tobacco smoke will discolor Thermofoil finishes, and this side effect is not covered under warranty.

Arbor Falls II

Traditional Overlay

① ② ③ ⑧
ABF. TH. S. S Thermofoil

- White vinyl laminated MDF with raised center panel on door
- White vinyl laminated MDF slab drawer front
- Doors and drawer fronts have a 90° return with an integrated finger pull
- Cabinet face frame is white painted hardwood
- Concealed hinge
- Decorative hardware is optional
- Mullion Glass Door (MG) and Prepared for Mullion Insert (PM) option is available on select cabinets. See Construction Options for specifics
- **Not** available with optional Plywood Ends or All Plywood Construction (ADT)



Door Styles

Thermofoil

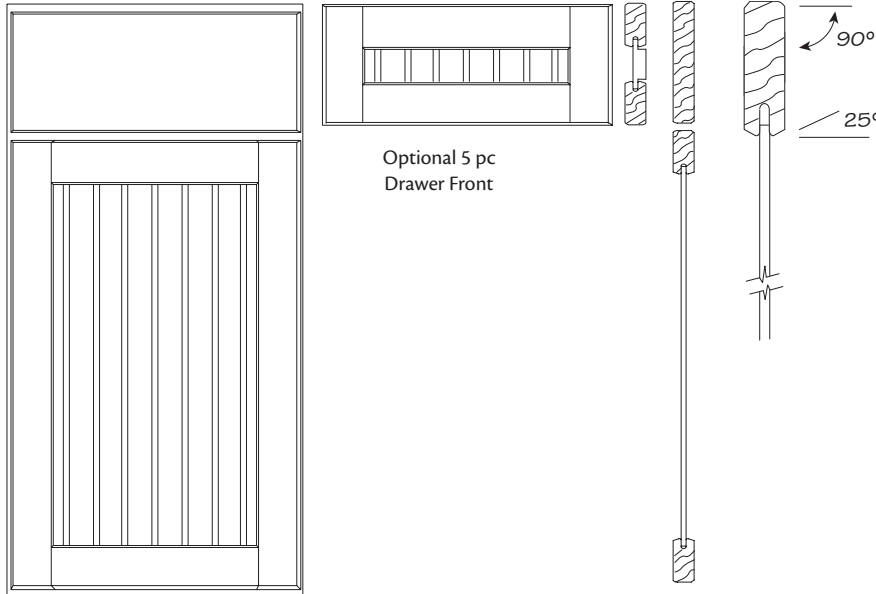
Thermofoil
 White (WHNON)

Avenue

Full Overlay

1	2	3	8	
AVE. CH. S.	S			Cherry w/Solid Drawer Front
AVE. CH. S.	5			Cherry w/5-piece Drawer Front
AVE. MP. S.	S			Maple w/Solid Drawer Front
AVE. MP. S.	5			Maple w/5-piece Drawer Front

- Solid wood door frame with 2 3/16" stiles and rails
- Recessed, flat, veneer center panel door with v-grooves on 1 1/2" centers
- Doors and drawers have a 90° return with no reverse bevel
- Slab drawer front is solid wood
- Optional 5-piece recessed drawer panel front with v-grooves
- Concealed hinge
- Decorative hardware is required
- Glass Door (GD), Prepared for Glass Insert (PG), Prairie Glass (PR) and Prepared for Prairie Insert (PP) options available on select cabinets. See Construction Options for specifics



Cherry

Stain Finishes

Amaretto (ARNON)
Paprika (PPNON)
Pecan (PCNON)

Stain w/Traditional Glaze Finishes**

Amaretto w/Java Glaze (ARJVZ)
Paprika w/Ebony Glaze (PPEBZ)

Maple

Stain Finishes

Dusk (DSNON)
Hazelnut (HZNON)
Kona (KONON)
Natural (NANON)
Pecan (PCNON)
Sable (SBNON)
Sedona (SDNON)
Toffee (TFNON)

Stain w/ Glaze Finishes**

Hazelnut w/Java Glaze (HZJVZ)
Natural w/Java Glaze (NAJVZ)
Sable w/Ebony Glaze (SBEVZ)
Toffee w/Java Glaze (TFJVZ)

*Available with an upcharge
Available with an upcharge on 5-piece drawer front **only

Maple (cont.)

Painted Finishes*

Chiffon (CHNON)
Cotton (CTNON)
Graphite (GPNON)
Mist (MSNON)
Shale (SENON)

Painted w/Traditional Glaze Finishes**

Chiffon w/Desert Glaze (CHDSZ)
Chiffon w/Tuscan Glaze (CHTNZ)
Cotton w/Tuscan Glaze (CTTNZ)
Graphite w/Desert Glaze (GPDSZ)
Graphite w/Tuscan Glaze (GPTNZ)
Mist w/Desert Glaze (MSDSZ)
Mist w/Tuscan Glaze (MSTNZ)
Shale w/Desert Glaze (SEDSZ)
Shale w/Ebony Glaze (SEEBZ)

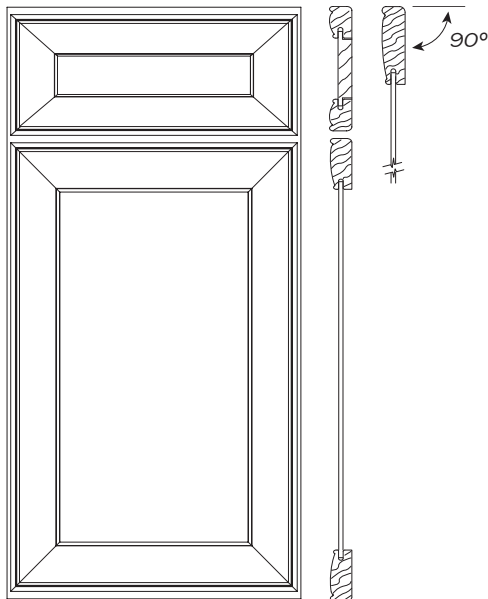
Bayville

Full Overlay

① ② ③ ⑧

BVE. CH. S. 5 Cherry w/5-piece Drawer Front
BVE. MP. S. 5 Maple w/5-piece Drawer Front

- Solid wood, mitered door frame with 2 1/2" stiles and rails
- Recessed, flat, veneer center panel door
- Doors with painted finishes will either have a recessed veneer or Medium Density Fiberboard (MDF) panel
- 5-piece mitered drawer front
- Doors and drawers have a 90° return with no reverse bevel
- Solid wood drawer frame with 2 1/2" stiles and rails, except drawer fronts 4 1/8" tall or less, which have 1 1/2" stiles and rails
- Concealed hinge
- Decorative hardware is required
- Glass Door (GD) and Prepared for Glass Insert (PG) option is available on select cabinets. See Construction Options for specifics



Cherry

Stain Finishes

Amaretto (ARNON)
 Paprika (PPNON)
 Pecan (PCNON)

Stain w/Traditional Glaze Finishes*

Amaretto w/Java Glaze (ARJVZ)
 Paprika w/Ebony Glaze (PPEBZ)

Maple

Stain Finishes

Dusk (DSNON)
 Hazelnut (HZNON)
 Kona (KONON)
 Natural (NANON)
 Pecan (PCNON)
 Sable (SBNON)
 Sedona (SDNON)
 Toffee (TFNON)

Stain w/ Glaze Finishes*

Hazelnut w/Java Glaze (HZJVZ)
 Natural w/Java Glaze (NAJVZ)
 Sable w/Ebony Glaze (SBEBZ)
 Toffee w/Java Glaze (TFJVZ)

Maple (cont.)

Painted Finishes*

Chiffon (CHNON)
 Cotton (CTNON)
 Graphite (GPNON)
 Mist (MSNON)
 Shale (SENON)

Painted w/Traditional Glaze Finishes*

Chiffon w/Desert Glaze (CHDSZ)
 Chiffon w/Tuscan Glaze (CHTNZ)
 Cotton w/Tuscan Glaze (CTTNZ)
 Graphite w/Desert Glaze (GPDSZ)
 Graphite w/Tuscan Glaze (GPTNZ)
 Mist w/Desert Glaze (MSDSZ)
 Mist w/Tuscan Glaze (MSTNZ)
 Shale w/Desert Glaze (SEDSZ)
 Shale w/Ebony Glaze (SEEBZ)

*Available with an upcharge

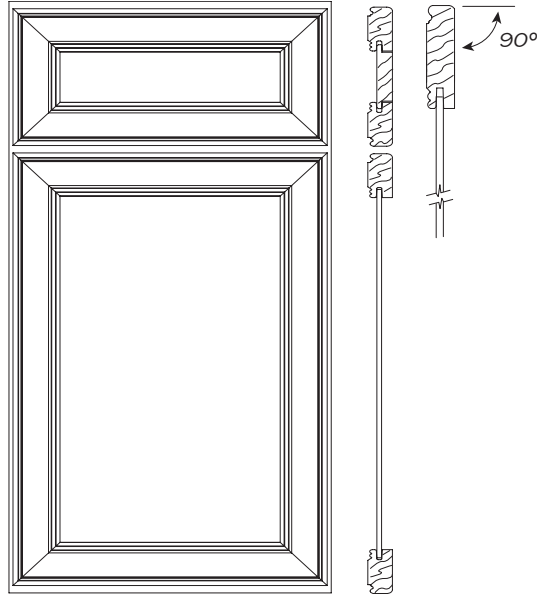
Bellingham

Full Overlay

1 2 3 8

BLH. CH. S. 5 Cherry w/5-piece Drawer Front
BLH. MP. S. 5 Maple w/5-piece Drawer Front

- Solid wood door frame with 2 3/16" stiles and rails
- Recessed, flat, veneer center panel door
- Doors with painted finishes will either have a recessed veneer or Medium Density Fiberboard (MDF) panel
- 5-piece mitered drawer front
- Doors and drawers have a 90° return with no reverse bevel
- Solid wood drawer frame with 2 3/16" stiles and rails, except drawer fronts 4 1/8" tall or less, which have 1 1/2" stiles and rails
- Concealed hinge
- Decorative hardware is required
- Glass Door (GD) and Prepared for Glass Insert (PG) option is available on select cabinets. See Construction Options for specifics



Cherry

Stain Finishes

Amaretto (ARNON)
 Paprika (PPNON)
 Pecan (PCNON)

Stain w/Traditional Glaze Finishes*

Amaretto w/Java Glaze (ARJVZ)
 Paprika w/Ebony Glaze (PPEBZ)

Maple

Stain Finishes

Dusk (DSNON)
 Hazelnut (HZNON)
 Kona (KONON)
 Natural (NANON)
 Pecan (PCNON)
 Sable (SBNON)
 Sedona (SDNON)
 Toffee (TFNON)

Stain w/ Glaze Finishes*

Hazelnut w/Java Glaze (HZJVZ)
 Natural w/Java Glaze (NAJVZ)
 Sable w/Ebony Glaze (SBEBZ)
 Toffee w/Java Glaze (TFJVZ)

Maple (cont.)

Painted Finishes*

Chiffon (CHNON)
 Cotton (CTNON)
 Graphite (GPNON)
 Mist (MSNON)
 Shale (SENON)

Painted w/Traditional Glaze Finishes*

Chiffon w/Desert Glaze (CHDSZ)
 Chiffon w/Tuscan Glaze (CHTNZ)
 Cotton w/Tuscan Glaze (CTTNZ)
 Graphite w/Desert Glaze (GPDSZ)
 Graphite w/Tuscan Glaze (GPTNZ)
 Mist w/Desert Glaze (MSDSZ)
 Mist w/Tuscan Glaze (MSTNZ)
 Shale w/Desert Glaze (SEDSZ)
 Shale w/Ebony Glaze (SEEBZ)

*Available with an upcharge

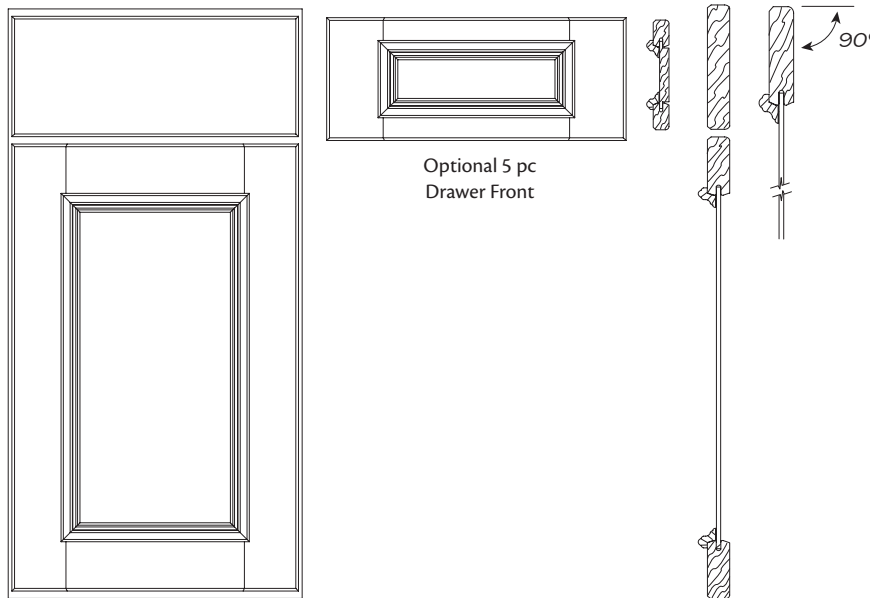
Cannonsburg

Full Overlay

① ② ③ ⑧

CSB. CH. S. S	Cherry w/Solid Drawer Front
CSB. CH. S. 5	Cherry w/5-piece Drawer Front Option
CSB. MP. S. S	Maple w/Solid Drawer Front
CSB. MP. S. 5	Maple w/5-piece Drawer Front Option

- Solid wood door frame with 2 7/8" stiles and rails
- Recessed, flat, veneer center panel door with applied solid wood molding
- Doors with painted finishes will either have a recessed veneer or Medium Density Fiberboard (MDF) panel
- Doors and drawers have a 90° return with no reverse bevel
- Optional 5-piece drawer front with solid wood recessed panel and applied molding
- Solid wood drawer frame with 2 7/8" stiles and 1 1/2" rails, except drawer fronts 4 1/8" tall or less are solid. 9 3/4" tall or greater have 2 7/8" stiles and rails
- Slab drawer front is solid wood
- Concealed hinge
- Decorative hardware is required
- Glass Door (GD) and Prepared for Glass Insert (PG) option is available on select cabinets. See Construction Options for specifics



Door Styles

Cherry

Stain Finishes

Amaretto (ARNON)
Paprika (PPNON)
Pecan (PCNON)

Stain w/Traditional Glaze Finishes**

Amaretto w/Java Glaze (ARJVZ)
Paprika w/Ebony Glaze (PPEBZ)

Maple

Stain Finishes

Dusk (DSNON)
Hazelnut (HZNON)
Kona (KONON)
Natural (NANON)
Pecan (PCNON)
Sable (SBNON)
Sedona (SDNON)
Toffee (TFNON)

Stain w/ Glaze Finishes**

Hazelnut w/Java Glaze (HZJVZ)
Natural w/Java Glaze (NAJVZ)
Sable w/Ebony Glaze (SBEBZ)
Toffee w/Java Glaze (TFJVZ)

*Available with an upcharge
Available with an upcharge on 5-piece drawer front **only

Maple (cont.)

Painted Finishes*

Chiffon (CHNON)
Cotton (CTNON)
Graphite (GPNON)
Mist (MSNON)
Shale (SENON)

Painted w/Traditional Glaze Finishes**

Chiffon w/Desert Glaze (CHDSZ)
Chiffon w/Tuscan Glaze (CHTNZ)
Cotton w/Tuscan Glaze (CTTNZ)
Graphite w/Desert Glaze (GPDSZ)
Graphite w/Tuscan Glaze (GPTNZ)
Mist w/Desert Glaze (MSDSZ)
Mist w/Tuscan Glaze (MSTNZ)
Shale w/Desert Glaze (SEDSZ)
Shale w/Ebony Glaze (SEEBZ)

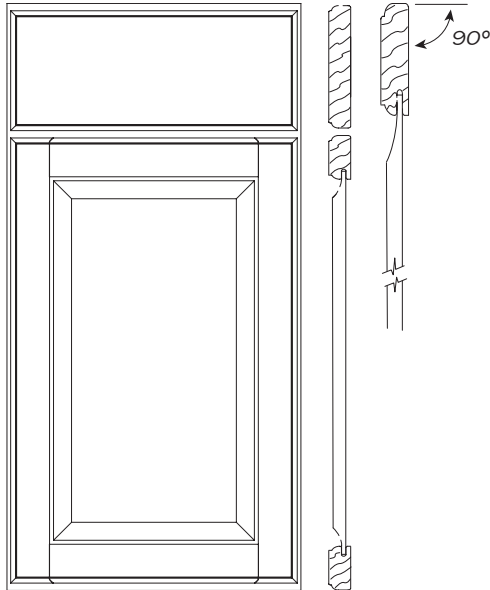
Fox Harbor

Full Overlay

① ② ③ ⑧
FXR. CH. S. S
FXR. MP. S. S

Cherry w/Solid Drawer Front
 Maple w/Solid Drawer Front

- Solid wood door frame with 2 3/16" stiles and rails
- Wood veneer, raised center panel door
- Doors with painted finishes will either have a raised, veneer or Medium-Density Fiberboard (MDF) center panel
- Doors and drawers have a 90° return with no reverse bevel
- Slab drawer front is solid wood
- Concealed hinge
- Decorative hardware is required
- Glass Door (GD), Prepared for Glass Insert (PG), Mullion Glass Door (MG) and Prepared for Mullion Insert (PM) options available on select cabinets. See Construction Options for specifics



Cherry

Stain Finishes

Amaretto (ARNON)
 Paprika (PPNON)
 Pecan (PCNON)

Stain w/Traditional Glaze Finishes*

Amaretto w/Java Glaze (ARJVZ)
 Paprika w/Ebony Glaze (PPEBZ)

Maple

Stain Finishes

Dusk (DSNON)
 Hazelnut (HZNON)
 Kona (KONON)
 Natural (NANON)
 Pecan (PCNON)
 Sable (SBNON)
 Sedona (SDNON)
 Toffee (TFNON)

Stain w/ Glaze Finishes*

Hazelnut w/Java Glaze (HZJVZ)
 Natural w/Java Glaze (NAJVZ)
 Sable w/Ebony Glaze (SBEBZ)
 Toffee w/Java Glaze (TFJVZ)

Maple (cont.)

Painted Finishes*

Chiffon (CHNON)
 Cotton (CTNON)
 Graphite (GPNON)
 Mist (MSNON)
 Shale (SENON)

Painted w/Traditional Glaze Finishes*

Chiffon w/Desert Glaze (CHDSZ)
 Chiffon w/Tuscan Glaze (CHTNZ)
 Cotton w/Tuscan Glaze (CTTNZ)
 Graphite w/Desert Glaze (GPDSZ)
 Graphite w/Tuscan Glaze (GPTNZ)
 Mist w/Desert Glaze (MSDSZ)
 Mist w/Tuscan Glaze (MSTNZ)
 Shale w/Desert Glaze (SEDSZ)
 Shale w/Ebony Glaze (SEEBZ)

*Available with an upcharge

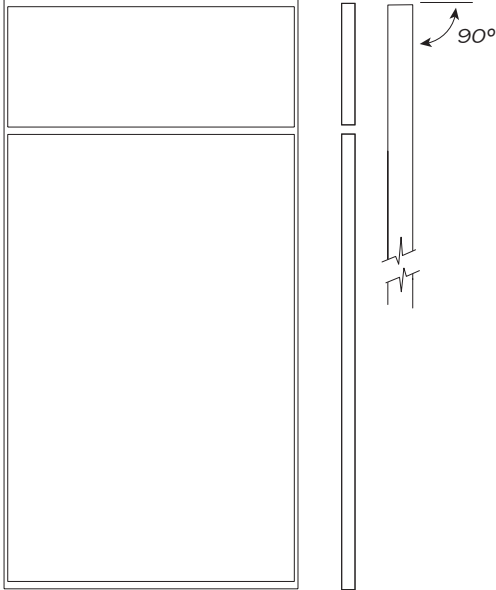
Fusion

Full Overlay



F.S.N. CH. B. S Cherry w/Solid Drawer Front
F.S.N. MP. B. S Maple w/Solid Drawer Front

- Slab door with vertical grain
- Doors and drawer fronts have an engineered wood core with wood veneer on front and back
- Doors and drawer fronts have a 90° return and are veneer edgebanded
- Doors have vertical grain; drawer fronts have horizontal grain
- Concealed hinge
- Decorative hardware is required
- Wall glass doors feature solid wood stiles and rails
- Glass Door (GD) and Prepared for Glass Insert (PG) option is available on select cabinets. See Construction Options for specifics



Cherry

Stain Finishes
 Amaretto (ARNON)
 Paprika (PPNON)
 Pecan (PCNON)

Maple

Stain Finishes
 Dusk (DSNON)
 Hazelnut (HZNON)
 Kona (KONON)
 Natural (NANON)
 Pecan (PCNON)
 Sable (SBNON)
 Sedona (SDNON)
 Toffee (TFNON)

Maple (cont.)

Painted Finishes*
 Chiffon (CHNON)
 Cotton (CTNON)
 Graphite (GPNON)
 Mist (MSNON)
 Shale (SENON)

*Available with an upcharge

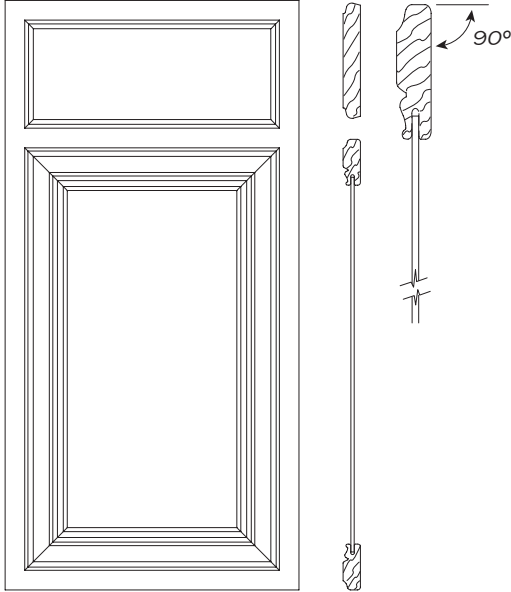
Glen Arbor

Traditional Overlay

① ② ③ ⑧

GNA. CH. S. S Cherry w/Solid Drawer Front
GNA. MP. S. S Maple w/Solid Drawer Front
GNA. RO. S. S Red Oak w/Solid Drawer Front

- Solid wood, mitered door frame with 2 3/16" stiles and rails
- Recessed, flat, veneer center panel door
- Doors with painted finishes will either have a recessed veneer or Medium Density Fiberboard (MDF) panel
- Doors have a 90° return with no reverse bevel
- Drawers have a reverse bevel on top and bottom edge
- Slab drawer front is solid wood
- Concealed hinge
- Decorative hardware is optional
- Glass Door (GD), Prepared for Glass Insert (PG), Mullion Glass Door (MG) and Prepared for Mullion Insert (PM) options available on select cabinets. See Construction Options for specifics



Cherry

Stain Finishes

Amaretto (ARNON)
 Paprika (PPNON)
 Pecan (PCNON)

Maple

Stain Finishes

Dusk (DSNON)
 Hazelnut (HZNON)
 Kona (KONON)
 Natural (NANON)
 Pecan (PCNON)
 Sable (SBNON)
 Sedona (SDNON)
 Toffee (TFNON)

Stain w/Accent

Glaze Finishes*

Hazelnut w/Java Accent (HZJVA)
 Natural w/Java Accent (NAJVA)
 Sable w/Ebony Accent (SBEBA)
 Sedona w/Ebony Accent (SDEBA)
 Toffee w/Java Accent (TFJVA)

Maple (cont.)

Painted Finishes*

Chiffon (CHNON)
 Cotton (CTNON)
 Graphite (GPNON)
 Mist (MSNON)
 Shale (SENON)

Painted w/Accent

Glaze Finishes*

Chiffon w/Desert Accent (CHDSA)
 Chiffon w/Tuscan Accent (CHTNA)
 Cotton w/Tuscan Accent (CTTNA)
 Graphite w/Desert Accent (GPDSA)
 Graphite w/Tuscan Accent (GPTNA)
 Mist w/Desert Accent (MSDSA)
 Mist w/Tuscan Accent (MSTNA)
 Shale w/Desert Accent (SEDSA)
 Shale w/Ebony Accent (SEEBA)

Red Oak

Stain Finishes

Amaretto (ARNON)
 Kona (KONON)
 Natural (NANON)
 Pecan (PCNON)
 Sable (SBNON)

*Available with an upcharge

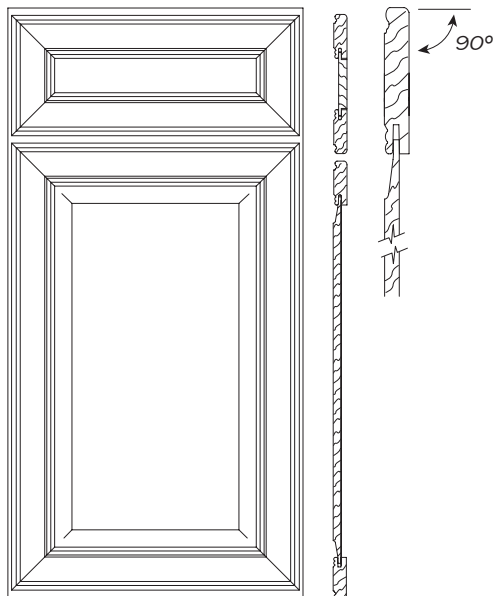
LaBelle

Full Overlay

① LBL. CH. S. 5
 ② LBL. MP. S. 5

Cherry w/5-piece Drawer Front
 Maple w/5-piece Drawer Front

- Solid wood, mitered door frame with 2 3/16" stiles and rails
- Solid wood, raised center panel door
- 5-piece mitered drawer front with solid wood recessed panel
- Doors and drawers have a 90° return with no reverse bevel
- Solid wood drawer frame with 2 3/16" stiles and rails, except drawer fronts 4 1/8" tall or less, which have 1 1/2" stiles and rails
- Drawer fronts 9 3/4" tall or greater have 2 3/16" stiles and rails with a solid wood raised center panel
- Concealed hinge
- Decorative hardware is required
- Glass Door (GD) and Prepared for Glass Insert (PG) option is available on select cabinets. See Construction Options for specifics



Cherry

Stain Finishes

Amaretto (ARNON)
 Paprika (PPNON)
 Pecan (PCNON)

Stain w/Traditional Glaze Finishes*

Amaretto w/Java Glaze (ARJVZ)
 Paprika w/Ebony Glaze (PPEBZ)

Maple

Stain Finishes

Dusk (DSNON)
 Hazelnut (HZNON)
 Kona (KONON)
 Natural (NANON)
 Pecan (PCNON)
 Sable (SBNON)
 Sedona (SDNON)
 Toffee (TFNON)

Stain w/ Glaze Finishes*

Hazelnut w/Java Glaze (HZJVZ)
 Natural w/Java Glaze (NAJVZ)
 Sable w/Ebony Glaze (SBEBZ)
 Toffee w/Java Glaze (TFJVZ)

Maple (cont.)

Painted Finishes*

Chiffon (CHNON)
 Cotton (CTNON)
 Graphite (GPNON)
 Mist (MSNON)
 Shale (SENON)

Painted w/Traditional Glaze Finishes*

Chiffon w/Desert Glaze (CHDSZ)
 Chiffon w/Tuscan Glaze (CHTNZ)
 Cotton w/Tuscan Glaze (CTTNZ)
 Graphite w/Desert Glaze (GPDSZ)
 Graphite w/Tuscan Glaze (GPTNZ)
 Mist w/Desert Glaze (MSDSZ)
 Mist w/Tuscan Glaze (MSTNZ)
 Shale w/Desert Glaze (SEDSZ)
 Shale w/Ebony Glaze (SEEBZ)

*Available with an upcharge

New

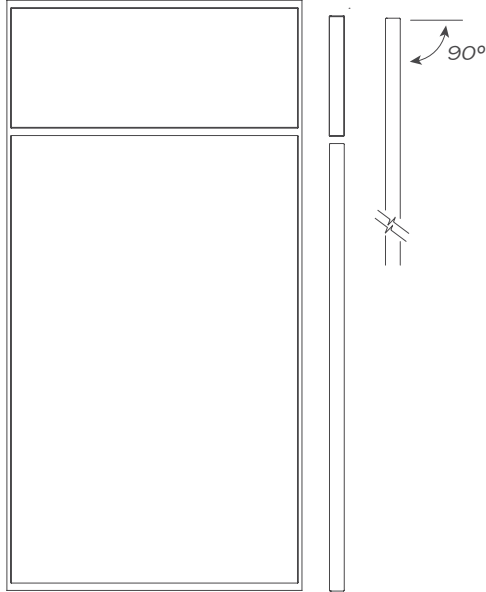
Lanielle

Full Overlay



LNE. TL. B. S Textured Laminate

Grey color coding indicates new product, size or code.



- Textured Laminate Medium Density Fiberboard (MDF) slab door and drawer fronts with vertical grain look
- Doors and drawers have a 90° edgebanded return with no reverse bevel
- Concealed hinge
- Decorative hardware is required
- Matching glass door and prep for insert **not** available. Please see Replacement Parts>Hardware section for Laminate Aluminum Accessory Glass Door and Prep for Glass Door specifics
- **Note:** Cabinet box, including frame, will be either Dusk Stain to coordinate with Textured Laminate (TL) Cavern finish or Mist paint to coordinate with Textured Laminate (TL) Whisper finish; select accessories will be offered in matching Textured Laminate materials (refer to individual items for specific details)

Textured Laminate

Textured Laminate

Cavern (CVNON)
Whisper (WPNON)

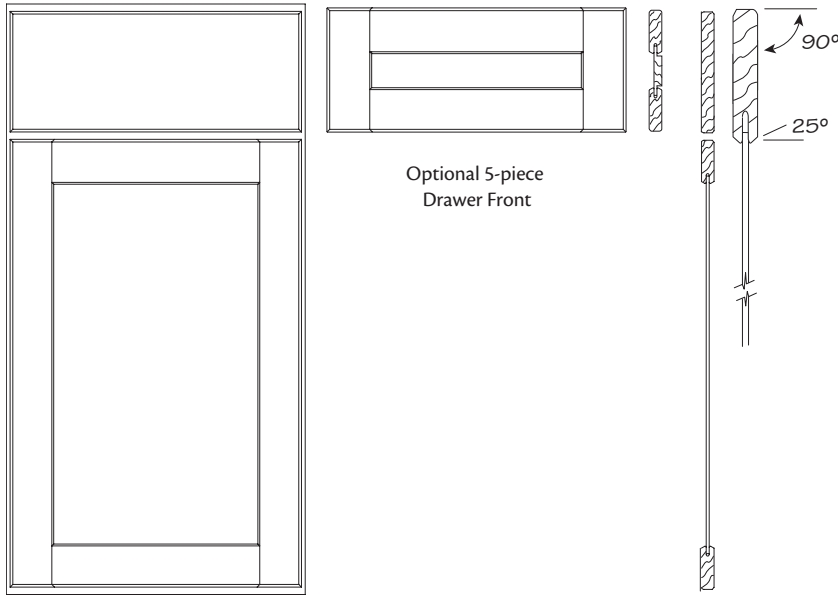
Portrait

Full Overlay

① ② ③ ⑧

PRT. CH. S. S	Cherry w/Solid Drawer Front
PRT. CH. S. 5	Cherry w/5-piece Drawer Front Option
PRT. MP. S. S	Maple w/Solid Drawer Front
PRT. MP. S. 5	Maple w/5-piece Drawer Front Option
PRT. RO. S. S	Red Oak w/Solid Drawer Front

- Solid wood door frame with 2 3/16" stiles and rails
- Recessed, flat, veneer center panel door
- Doors with painted finishes will either have a recessed veneer or Medium Density Fiberboard (MDF) panel
- Doors and drawers have a 90° return with no reverse bevel
- Slab drawer front is solid wood
- Optional 5-piece drawer front with solid wood 2 3/16" stiles and rails, except drawer fronts that are 4 1/8" tall or less, which are slab. **Not** available on Red Oak Door style
- Concealed hinge
- Decorative hardware is required
- Glass Door (GD), Prepared for Glass Insert (PG), Prairie Glass (PR) and Prepared for Prairie Insert (PP) options available on select cabinets. See Construction Options for specifics



Cherry

Stain Finishes

Amaretto (ARNON)
Paprika (PPNON)
Pecan (PCNON)

Maple

Stain Finishes

Dusk (DSNON)
Hazelnut (HZNON)
Kona (KONON)
Natural (NANON)
Pecan (PCNON)
Sable (SBNON)
Sedona (SDNON)
Toffee (TFNON)

Maple (cont.)

Painted Finishes*

Chiffon (CHNON)
Cotton (CTNON)
Graphite (GPNON)
Mist (MSNON)
Shale (SENON)

Red Oak

Stain Finishes

Amaretto (ARNON)
Kona (KONON)
Pecan (PCNON)
Sable (SBNON)

*Available with an upcharge

Ralston

Full Overlay

① ② ③ ⑧

RAL. CH. S. S	Cherry w/Solid Drawer Front
RAL. CH. S. 5	Cherry w/5-piece Drawer Front Option
RAL. MP. S. S	Maple w/Solid Drawer Front
RAL. MP. S. 5	Maple w/5-piece Drawer Front Option

- Solid wood door frame with 3" stiles and rails
- Recessed, flat, veneer center panel door
- Doors with painted finishes will either have a recessed veneer or Medium Density Fiberboard (MDF) panel
- Doors and drawers have a 90° return with no reverse bevel
- Slab drawer front is solid wood
- Optional 5-piece drawer front with solid wood 3" stiles and 1 1/2" rails, except for 9 3/4" tall or taller, which have 3" rails
- Concealed hinge
- Decorative hardware is required
- Glass Door (GD), Prepared for Glass Insert (PG), Mullion Glass Door (MG) and Prepared for Mullion Insert (PM) options available on select cabinets. See Construction Options for specifics



Cherry

Stain Finishes

Amaretto (ARNON)
Paprika (PPNON)
Pecan (PCNON)

Stain w/Traditional Glaze Finishes*

Amaretto w/Java Glaze (ARJVZ)
Paprika w/Ebony Glaze (PPEBZ)

Maple

Stain Finishes

Dusk (DSNON)
Hazelnut (HZNON)
Kona (KONON)
Natural (NANON)
Pecan (PCNON)
Sable (SBNON)
Sedona (SDNON)
Toffee (TFNON)

Stain w/ Glaze Finishes*

Hazelnut w/Java Glaze (HZJVZ)
Natural w/Java Glaze (NAJVZ)
Sable w/Ebony Glaze (SBEBZ)
Toffee w/Java Glaze (TFJVZ)

Maple (cont.)

Painted Finishes*

Chiffon (CHNON)
Cotton (CTNON)
Graphite (GPNON)
Mist (MSNON)
Shale (SENON)

Painted w/Traditional Glaze Finishes*

Chiffon w/Desert Glaze (CHDSZ)
Chiffon w/Tuscan Glaze (CHTNZ)
Cotton w/Tuscan Glaze (CTTNZ)
Graphite w/Desert Glaze (GPDSZ)
Graphite w/Tuscan Glaze (GPTNZ)
Mist w/Desert Glaze (MSDSZ)
Mist w/Tuscan Glaze (MSTNZ)
Shale w/Desert Glaze (SEDSZ)
Shale w/Ebony Glaze (SEEBZ)

*Available with an upcharge

New

Rowan

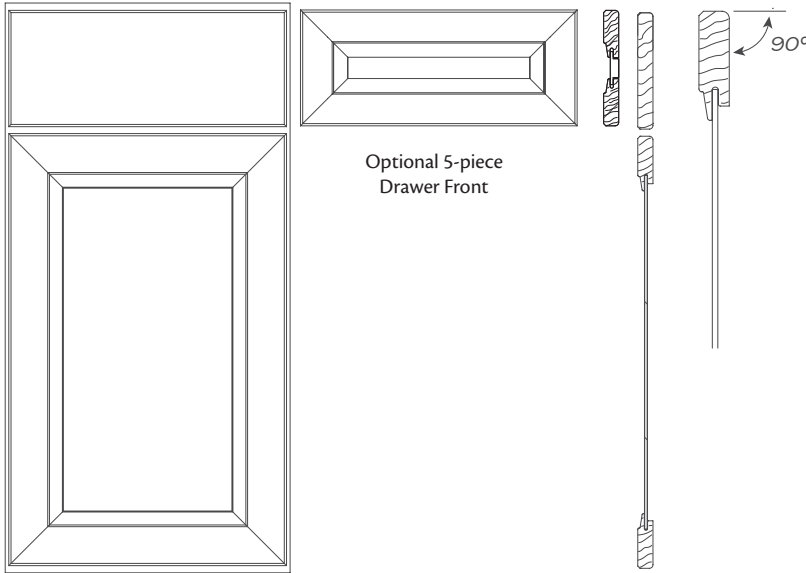
Full Overlay

① ② ③ ⑧

RWN. CH. S.	S	Cherry Square w/Solid Drawer Front
RWN. CH. S.	5	Cherry Square w/5-Piece Drawer Front
RWN. MP. S.	S	Maple Square w/Solid Drawer Front
RWN. MP. S.	5	Maple Square w/5-Piece Drawer Front

Grey color coding indicates new product, size or code.

- Solid wood, mitered door frame with 2 7/8" stiles and rails
- Recessed flat, veneer center panel door
- Doors with painted finishes will either have a recessed veneer or Medium Density Fiberboard (MDF) panel
- Doors and drawer fronts have a 90° return with no reverse bevel
- Slab drawer front is solid wood
- Optional 5-piece solid wood drawer front with 2 1/2" stiles and rails, except for large drawer fronts, which have 2 7/8" rails and stiles
- Solid wood drawer frame. Standard height drawers have 2 1/2" stiles and rails, deep drawers have 2 7/8" stiles and rails, and drawer fronts 4 1/8" tall or less are solid (knee drawer)
- Concealed hinge
- Decorative hardware is required
- Glass Door (GD) and Prepared for Glass Insert (PG) option is available on select cabinets. See Construction Options for specifics



Door Styles

Cherry

Stain Finishes

Amaretto (ARNON)
Paprika (PPNON)
Pecan (PCNON)

Stain w/Traditional Glaze Finishes*

Amaretto w/Java Glaze (ARJVZ)
Paprika w/Ebony Glaze (PPEBZ)

Maple

Stain Finishes

Dusk (DSNON)
Hazelnut (HZNON)
Kona (KONON)
Natural (NANON)
Pecan (PCNON)
Sable (SBNON)
Sedona (SDNON)
Toffee (TFNON)

Stain w/ Glaze Finishes*

Hazelnut w/Java Glaze (HZJVZ)
Natural w/Java Glaze (NAJVZ)
Sable w/Ebony Glaze (SBEBZ)
Toffee w/Java Glaze (TFJVZ)

Maple (cont.)

Painted Finishes*

Chiffon (CHNON)
Cotton (CTNON)
Graphite (GPNON)
Mist (MSNON)
Shale (SENON)

Painted w/Traditional Glaze Finishes*

Chiffon w/Desert Glaze (CHDSZ)
Chiffon w/Tuscan Glaze (CHTNZ)
Cotton w/Tuscan Glaze (CTTNZ)
Graphite w/Desert Glaze (GPDSZ)
Graphite w/Tuscan Glaze (GPTNZ)
Mist w/Desert Glaze (MSDSZ)
Mist w/Tuscan Glaze (MSTNZ)
Shale w/Desert Glaze (SEDSZ)
Shale w/Ebony Glaze (SEEBZ)

*Available with an upcharge

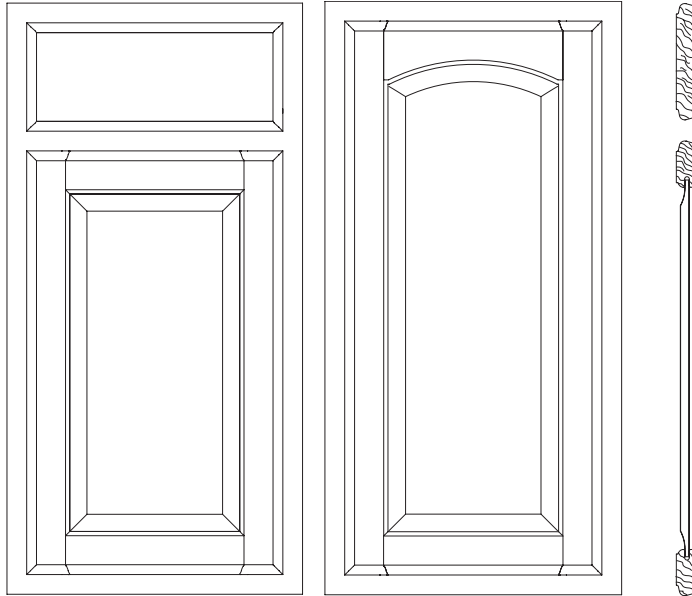
Seneca Ridge

Traditional Overlay

① ② ③ ⑧

SNR. CH. S.	S	Cherry Square w/Solid Drawer Front
SNR. CH. A.	S	Cherry Arch w/Solid Drawer Front
SNR. MP. S.	S	Maple Square w/Solid Drawer Front
SNR. MP. A.	S	Maple Arch w/Solid Drawer Front
SNR. RO. S.	S	Red Oak Square w/Solid Drawer Front
SNR. RO. A.	S	Red Oak Arch w/Solid Drawer Front

- Solid wood door frame with 2 3/16" stiles and rails
- Wood veneer, raised center panel door
- Doors with painted finishes will either have a raised, veneer or Medium-Density Fiberboard (MDF) center panel
- Top and bottom edges of doors and drawers have a 15° reverse bevel
- Slab drawer front is solid wood
- Concealed hinge
- Arch doors are only available for Wall cabinets and top doors of Tall cabinets
- Glass Door (GD), Prepared for Glass Insert (PG), Mullion Glass Door (MG) and Prepared for Mullion Insert (PM) options available on select cabinets. See Construction Options for specifics
- Decorative hardware is optional



Cherry

Stain Finishes

Amaretto (ARNON)
Paprika (PPNON)
Pecan (PCNON)

Maple

Stain Finishes

Dusk (DSNON)
Hazelnut (HZNON)
Kona (KONON)
Natural (NANON)
Pecan (PCNON)
Sable (SBNON)
Sedona (SDNON)
Toffee (TFNON)

Stain w/Accent Glaze Finishes**

Hazelnut w/Java Accent (HZJVA)
Natural w/Java Accent (NAJVA)
Sable w/Ebony Accent (SBEBA)
Sedona w/Ebony Accent (SDEBA)
Toffee w/Java Accent (TFJVA)

Maple (cont.)

Painted Finishes*

Chiffon (CHNON)
Cotton (CTNON)
Graphite (GPNON)
Mist (MSNON)
Shale (SENON)

Painted w/Accent Glaze Finishes**

Chiffon w/Desert Accent (CHDSA)
Chiffon w/Tuscan Accent (CHTNA)
Cotton w/Tuscan Accent (CTTNA)
Graphite w/Desert Accent (GPDSA)
Graphite w/Tuscan Accent (GPTNA)
Mist w/Desert Accent (MSDSA)
Mist w/Tuscan Accent (MSTNA)
Shale w/Desert Accent (SEDSA)
Shale w/Ebony Accent (SEEBA)

Red Oak

Stain Finishes

Amaretto (ARNON)
Kona (KONON)
Natural (NANON)
Pecan (PCNON)
Sable (PCNON)

*Available with an upcharge

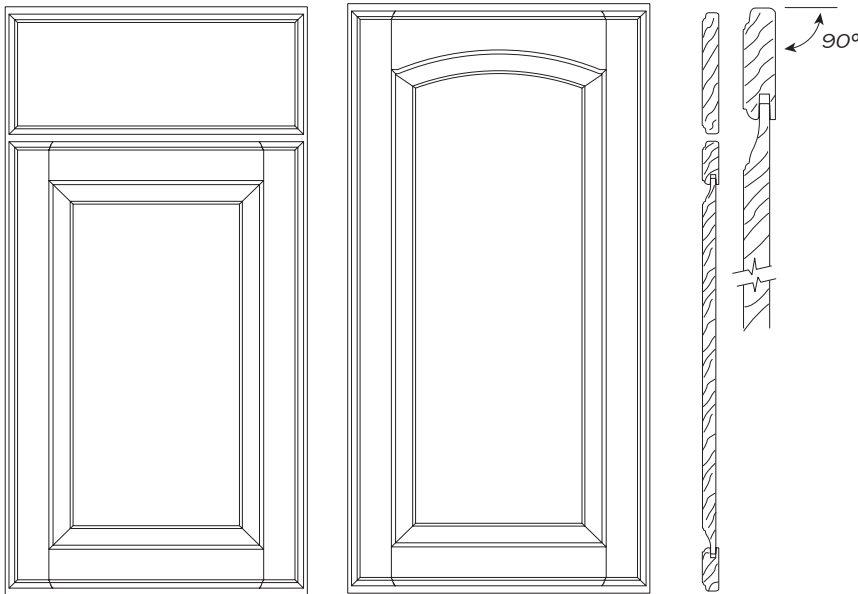
**Available with an upcharge on square door styles only

Somerton Hill

Full Overlay

①	②	③	⑧	
SMH. CH. S.	S	S		Cherry Square w/Solid Drawer Front
SMH. CH. A.	S	S		Cherry Arch w/Solid Drawer Front
SMH. MP. S.	S	S		Maple Square w/Solid Drawer Front
SMH. MP. A.	S	S		Maple Arch w/Solid Drawer Front

- Solid wood door frame with 2 3/16" stiles and rails
- Solid wood, raised center panel door
- Doors and drawers have a 90° return with no reverse bevel
- Slab drawer front is solid wood
- Concealed hinge
- Decorative hardware is required
- Arch doors are only available for Wall cabinets and top doors of Tall cabinets
- Glass Door (GD), Prepared for Glass Insert (PG), Mullion Glass Door (MG) and Prepared for Mullion Insert (PM) options available on select cabinets. See Construction Options for specifics



Cherry

Stain Finishes

Amaretto (ARNON)
Paprika (PPNON)
Pecan (PCNON)

Stain w/Traditional Glaze Finishes*

Amaretto w/Java Glaze (ARJVZ)
Paprika w/Ebony Glaze (PPEBZ)

Maple

Stain Finishes

Dusk (DSNON)
Hazelnut (HZNON)
Kona (KONON)
Natural (NANON)
Pecan (PCNON)
Sable (SBNON)
Sedona (SDNON)
Toffee (TFNON)

Stain w/ Glaze Finishes*

Hazelnut w/Java Glaze (HZJVZ)
Natural w/Java Glaze (NAJVZ)
Sable w/Ebony Glaze (SBEBZ)
Toffee w/Java Glaze (TFJVZ)

Maple (cont.)

Painted Finishes*

Chiffon (CHNON)
Cotton (CTNON)
Graphite (GPNON)
Mist (MSNON)
Shale (SENON)

Painted w/Traditional Glaze Finishes*

Chiffon w/Desert Glaze (CHDSZ)
Chiffon w/Tuscan Glaze (CHTNZ)
Cotton w/Tuscan Glaze (CTTNZ)
Graphite w/Desert Glaze (GPDSZ)
Graphite w/Tuscan Glaze (GPTNZ)
Mist w/Desert Glaze (MSDSZ)
Mist w/Tuscan Glaze (MSTNZ)
Shale w/Desert Glaze (SEDSZ)
Shale w/Ebony Glaze (SEEBZ)

*Available with an upcharge

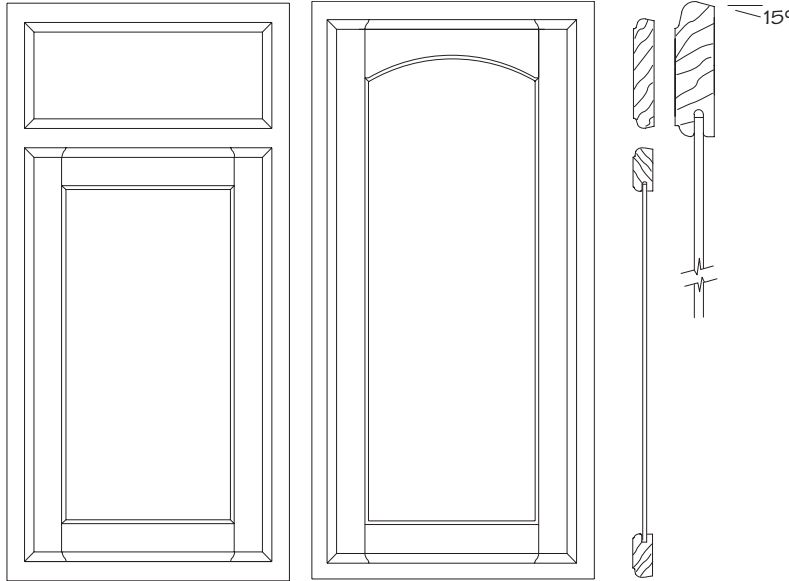
Spring Valley

Traditional Overlay

1	2	3	8
SVL. CH. S. S			
SVL. CH. A. S			
SVL. HK. S. S			
SVL. HK. A. S			
SVL. MP. S. S			
SVL. MP. A. S			
SVL. RO. S. S			
SVL. RO. A. S			

Cherry Square w/Solid Drawer Front
 Cherry Arch w/Solid Drawer Front
 Hickory Square w/Solid Drawer Front
 Hickory Arch w/Solid Drawer Front
 Maple Square w/Solid Drawer Front
 Maple Arch w/Solid Drawer Front
 Red Oak Square w/Solid Drawer Front
 Red Oak Arch w/Solid Drawer Front

- Solid wood door frame with 2 3/16" stiles and rails
- Recessed, flat, veneer center panel door
- Doors with painted finishes will either have a recessed veneer or Medium Density Fiberboard (MDF) panel
- Top and bottom edges of doors and drawers have a 15° reverse bevel
- Slab drawer front is solid wood
- Concealed hinge
- Decorative hardware is optional
- Arch doors are only available for Wall cabinets and top doors of Tall cabinets
- Glass Door (GD), Prepared for Glass Insert (PG), Mullion Glass Door (MG) and Prepared for Mullion Insert (PM) options available on select cabinets. See Construction Options for specifics



Cherry

Stain Finishes

Amaretto (ARNON)
 Paprika (PPNON)
 Pecan (PCNON)

Hickory

Stain Finishes

Natural (NANON)

Maple

Stain Finishes

Dusk (DSNON)
 Hazelnut (HZNON)
 Kona (KONON)
 Natural (NANON)
 Pecan (PCNON)
 Sable (SBNON)
 Sedona (SDNON)
 Toffee (TFNON)

Stain w/Accent Glaze Finishes**

Hazelnut w/Java Accent (HZJVA)
 Natural w/Java Accent (NAJVA)
 Sable w/Ebony Accent (SBEBBA)
 Sedona w/Ebony Accent (SDEBBA)
 Toffee w/Java Accent (TFJVA)

Maple (cont.)

Painted Finishes*

Chiffon (CHNON)
 Cotton (CTNON)
 Graphite (GPNON)
 Mist (MSNON)
 Shale (SENON)

Painted w/Accent Glaze Finishes**

Chiffon w/Desert Accent (CHDSA)
 Chiffon w/Tuscan Accent (CHTNA)
 Cotton w/Tuscan Accent (CTTNA)
 Graphite w/Desert Accent (GPDSA)
 Graphite w/Tuscan Accent (GPTNA)
 Mist w/Desert Accent (MSDSA)
 Mist w/Tuscan Accent (MSTNA)
 Shale w/Desert Accent (SEDSA)
 Shale w/Ebony Accent (SEEBBA)

Red Oak

Stain Finishes

Amaretto (ARNON)
 Kona (KONON)
 Natural (NANON)
 Pecan (PCNON)
 Sable (SBNON)

*Available with an upcharge

**Available with an upcharge on square door styles only

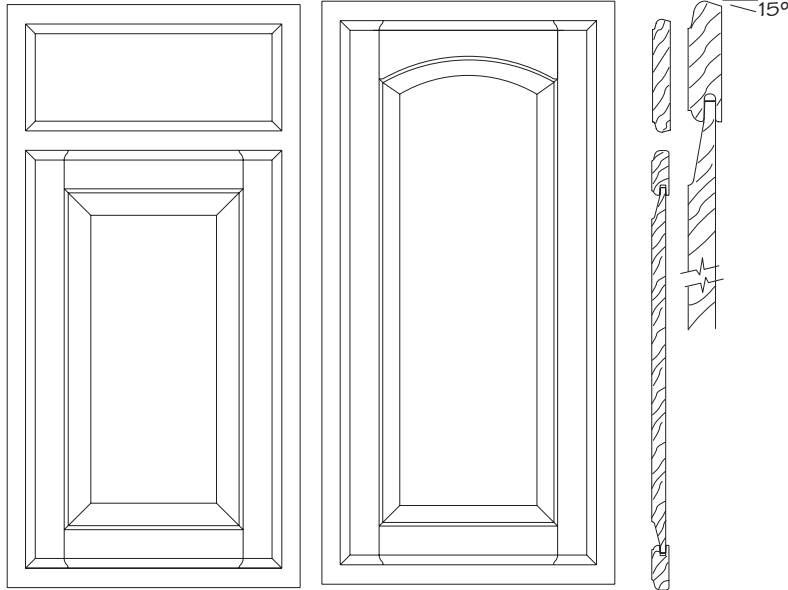
Sutton Cliffs

Traditional Overlay

① ② ③ ⑧

STC. CH. S. S	Cherry Square w/Solid Drawer Front
STC. CH. A. S	Cherry Arch w/Solid Drawer Front
STC. HK. S. S	Hickory Square w/Solid Drawer Front
STC. HK. A. S	Hickory Arch w/Solid Drawer Front
STC. MP. S. S	Maple Square w/Solid Drawer Front
STC. MP. A. S	Maple Arch w/Solid Drawer Front
STC. RO. S. S	Red Oak Square w/Solid Drawer Front
STC. RO. A. S	Red Oak Arch w/Solid Drawer Front

- Solid wood door frame with 2 3/16" stiles and rails
- Solid wood, raised center panel door
- Top and bottom edges of doors and drawers have a 15° reverse bevel
- Slab drawer front is solid wood
- Concealed hinge
- Decorative hardware is optional
- Arch doors are only available for Wall cabinets and top doors of Tall cabinets
- Glass Door (GD), Prepared for Glass Insert (PG), Mullion Glass Door (MG) and Prepared for Mullion Insert (PM) options available on select cabinets. See Construction Options for specifics



Door Styles

Cherry	Maple	Maple (cont.)	Red Oak
<p>Stain Finishes</p> <p>Amaretto (ARNON) Paprika (PPNON) Pecan (PCNON)</p>	<p>Stain Finishes</p> <p>Dusk (DSNON) Hazelnut (HZNON) Kona (KONON) Natural (NANON) Pecan (PCNON) Sable (SBNON) Sedona (SDNON) Toffee (TFNON)</p>	<p>Painted Finishes*</p> <p>Chiffon (CHNON) Cotton (CTNON) Graphite (GPNON) Mist (MSNON) Shale (SENON)</p>	<p>Stain Finishes</p> <p>Amaretto (ARNON) Kona (KONON) Natural (NANON) Pecan (PCNON) Sable (SBNON)</p>
<p>Hickory</p> <p>Stain Finishes</p> <p>Natural (NANON)</p>			

*Available with an upcharge

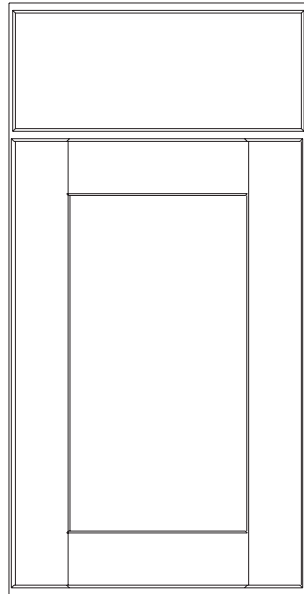
Tolani

Full Overlay

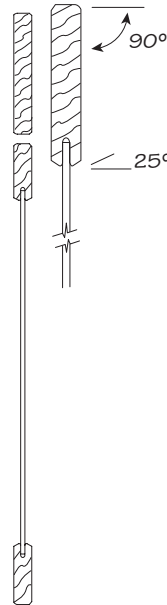
①	②	③	⑧
TLN.	CH.	S.	S
TLN.	CH.	S.	3
TLN.	MP.	S.	S
TLN.	MP.	S.	3
TLN.	RO.	S.	S
TLN.	RO.	S.	3

Cherry w/Solid Drawer Front
 Cherry w/3-piece Drawer Front Option
 Maple w/Solid Drawer Front
 Maple w/3-piece Drawer Front Option
 Red Oak w/Solid Drawer Front
 Red Oak w/3-piece Drawer Front

- Solid wood door frame with 2 7/8" stiles and rails
- Recessed, flat, veneer center panel door
- Doors with painted finishes will either have a recessed veneer or Medium Density Fiberboard (MDF) panel
- Doors and drawers have a 90° return with no reverse bevel
- Optional 3-piece solid wood drawer front
- Concealed hinge
- Decorative hardware is required
- Glass Door (GD), Prepared for Glass Insert (PG), Prairie Glass (PR) and Prepared for Prairie Insert (PP) options available on select cabinets. See Construction Options for specifics



Option 3-piece
Drawer Front



Cherry

Stain Finishes

Amaretto (ARNON)
 Paprika (PPNON)
 Pecan (PCNON)

Maple

Stain Finishes

Dusk (DSNON)
 Hazelnut (HZNON)
 Kona (KONON)
 Natural (NANON)
 Pecan (PCNON)
 Sable (SBNON)
 Sedona (SDNON)
 Toffee (TFNON)

Maple (cont.)

Painted Finishes*

Chiffon (CHNON)
 Cotton (CTNON)
 Graphite (GPNON)
 Mist (MSNON)
 Shale (SENON)

Red Oak

Stain Finishes

Amaretto (ARNON)
 Kona (KONON)
 Natural (NANON)
 Pecan (PCNON)
 Sable (SBNON)

*Available with an upcharge, not available on 3-Piece drawer fronts

Whitebay II

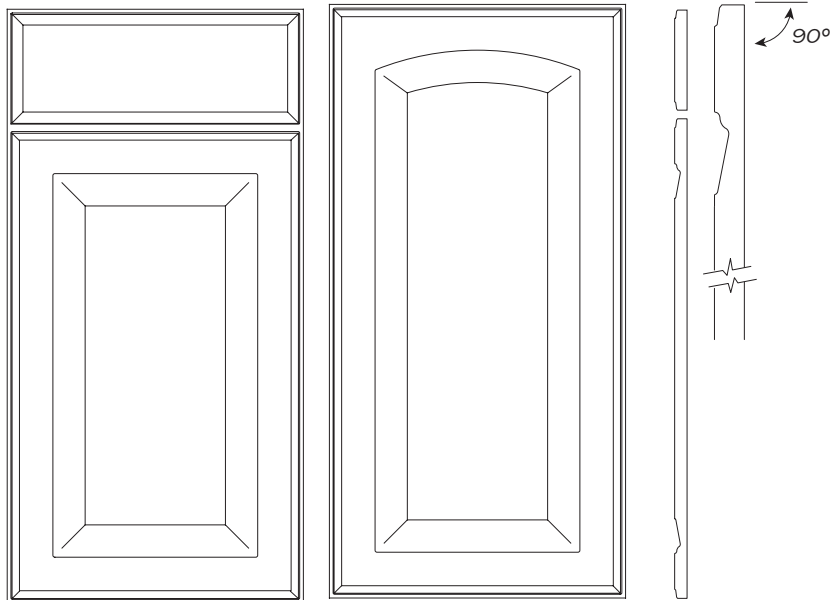
Full Overlay

① ② ③ ⑧

WHB. TH. S. S
WHB. TH. A. S

Whitebay II Square Thermofoil w/Solid Drawer Front
Whitebay II Arch Thermofoil w/Solid Drawer Front

- White vinyl laminated MDF with raised center panel on door
- Doors and drawers have a 90° return with no reverse bevel
- White vinyl laminated MDF slab drawer front
- Cabinet face frame is White painted hardwood
- Concealed hinge
- Decorative hardware is required
- Arch doors are only available for Wall cabinets and top doors of Tall cabinets
- Mullion Glass Door (MG) and Prepared for Mullion Insert (PM) option is available on select cabinets. See Construction Options for specifics
- **Not** available with optional Plywood Ends or All Plywood Construction (ADT)



Thermofoil

Thermofoil

White (WHNON)

Merillat Classic® Finishes

End grain surfaces and softer areas of the wood may accept more stain and often appear darker than other surfaces.

Since wood is in a constant state of expansion and contraction, visible lines are normal at the joints on the cabinet face frames, doors and 3-Piece and 5-Piece drawer fronts

All wood species show some wood grain. The amount of grain will vary by species and finish. Red Oak is an open or coarse grain wood. The grain will visibly show through the stain. Maple is a closed or fine grain wood that can have mineral streaks and pin holes. When paint is applied to Maple these beauty marks may remain slightly visible.

Stain Finishes

Stain Process

Stain is applied and brush-wiped to desired color. Next, sealer is applied to protect the finish and prevent warping and cracking of the hardwood. Sealer is then sanded to develop a bonding surface for the topcoating process.

As a final step, a heat activated topcoat is applied to provide a beautiful and durable furniture finish. Finish availability varies by door style.

Amaretto

Rich golden brown

ARNON Cherry and Red Oak

Dusk

Sheer deep blue/grey

DSNON Maple

Hazelnut

Golden with yellow undertones

HZNON Maple

Kona

Deep semi-transparent dark brown

KONON Maple and Red Oak

Natural

Clear sealer and topcoat

NANON Hickory, Maple, and Red Oak

Paprika

Medium red cherry

PPNON Cherry

Pecan

Warm rich brown with deep brown undertones and black overtones

PCNON Cherry, Maple and Red Oak

Sable

Rich medium brown

SBNON Maple and Red Oak

Sedona

Rich traditional cherry finish on Maple

SDNON Maple

Toffee

Warm brown

TFNON Maple

Stain w/Glaze Finishes

Stain w/Traditional Glaze Process

Stain is applied and brush-wiped to desired color. Next, sealer is applied to protect the finish and prevent warping and cracking of the hardwood. Sealer is then sanded to develop a bonding surface for the glazing and topcoat process.

Glaze is applied by hand face side only to corner hang-ups and profile recesses depending on door style.

Amaretto with Java Glaze

Rich golden brown with dark brown glaze

ARJVZ Cherry

Hazelnut with Java Glaze

Golden with yellow undertones and dark brown glaze

HZJVZ Maple

Natural with Java Glaze

Clear sealer and topcoat with dark brown glaze

NAJVZ Maple

Paprika with Ebony Glaze

Medium red cherry with charcoal (black) glaze

PPEBZ Cherry

Sable with Ebony Glaze

Rich medium brown with charcoal (black) glaze

SBEBZ Maple

Toffee with Java Glaze

Warm brown with dark brown glaze

TFJVZ Maple

Stain w/Accent Glaze Finishes

Stain w/Accent Glaze Process

Stain is applied and brush-wiped to desired color. Next, sealer is applied to protect the finish and prevent warping and cracking of the hardwood. Sealer is then sanded to develop a bonding surface for the accent glazing and topcoat process.

Accent glaze is applied by hand to specific door and drawer front profiles depending on door style and then cured.

Hazelnut with Java Accent

Golden with yellow undertones and dark brown accent glaze

HZJVA Maple

Natural with Java Accent

Clear sealer and topcoat with dark brown accent glaze

NAJVA Maple

Sable with Ebony Accent

Rich medium brown with charcoal (black) accent glaze

SBEBZ Maple

Sedona with Ebony Accent

Rich traditional cherry finish with charcoal (black) accent glaze

SDEBA Maple

Toffee with Java Accent

Warm brown with dark brown accent glaze

TFJVA Maple

Painted Finishes

All Merillat Classic paints are formulated to resist yellowing, although all finishes change with time. Our painted finishes consist of two coats of primer, which are oven cured. Next one coat of pigmented opaque enamel paint is applied and sanded, followed by an oven-cured topcoat to provide a beautiful and durable finish.

Natural wood characteristics such as gum pockets, streaks and pin knots may be visible, particularly with some of our lighter paints. These characteristics tend to be more pronounced on the backs of our doors and drawers.

Finish availability varies by door style.

Note: Self cleaning ovens generate high temperatures which can cause discoloration of painted finishes. To minimize risk, recommend that you open doors and drawers adjacent to the oven during cleaning cycles.

Chiffon

Cream

CHNON Maple

Cotton

White

CTNON Maple

Graphite

Warm, earthy, midtone grey painted finish

GPNON Maple

Mist

Very light and soft, grey neutral painted finish

MSNON Maple

Shale

Grey

SENON Maple

Paint w/Accent Glaze Finishes

Paint w/Accent Glaze Process

After our painting process is complete, glaze is then applied, face side only, to corner hang-ups and profile recesses depending on door style.

Chiffon with Desert Accent

Cream with brown accent glaze

CHDSA Maple

Chiffon with Tuscan Accent

Cream with light grey accent glaze

CHTNA Maple

Cotton with Tuscan Accent

White with light grey accent glaze

CTTNA Maple

Graphite with Desert Accent

Warm grey with brown accent glaze

GPDSA Maple

Graphite with Tuscan Accent

Warm grey with light grey accent glaze

GPTNA Maple

Mist with Desert Accent

Light grey with brown accent glaze

MSDSA Maple

Mist with Tuscan Accent

Light grey with light grey accent glaze

MSTNA Maple

Shale with Desert Accent

Grey with brown accent glaze

SEDSA Maple

Shale with Ebony Accent

Grey with charcoal (black) accent glaze

SEEBA Maple

Paint w/Glaze Finish

Paint w/Traditional Glaze Process

After our painting process is complete, accent glaze is then hand applied to specific door and drawer front profiles depending on door style and then cured.

Chiffon Desert Glaze

Cream with brown glaze

CHDSZ Maple

Chiffon with Tuscan Glaze

Cream with light grey glaze

CHTNZ Maple

Cotton with Tuscan Glaze

White with light grey glaze

CTTNZ Maple

Graphite with Desert Glaze

Warm grey with brown glaze

GPDSZ Maple

Graphite with Tuscan Glaze

Warm grey with light grey glaze

GPTNZ Maple

Mist with Desert Glaze

Light grey with brown glaze

MSDSZ Maple

Mist with Tuscan Glaze

Light grey with light grey glaze

MSTNZ Maple

Shale with Desert Glaze

Grey with brown glaze

SEDSZ Maple

Shale with Ebony Glaze

Grey with charcoal (black) glaze

SEEBZ Maple

Thermofoil Finishes

Thermofoil

Heavy gauge vinyl laminate is applied with thermo-pressure to door and drawer front and edges

White

Solid white color with satin finish

WHNON Thermofoil

Textured Laminate Finishes

Textured Laminate

Textured laminate applied to the door and drawer fronts through a flat lamination process. All edges are banded with matching edge banding

Cavern

Sheer deep blue/grey

CVNON Textured Laminate

Whisper

Very light and soft, grey neutral finish

WPNON Textured Laminate

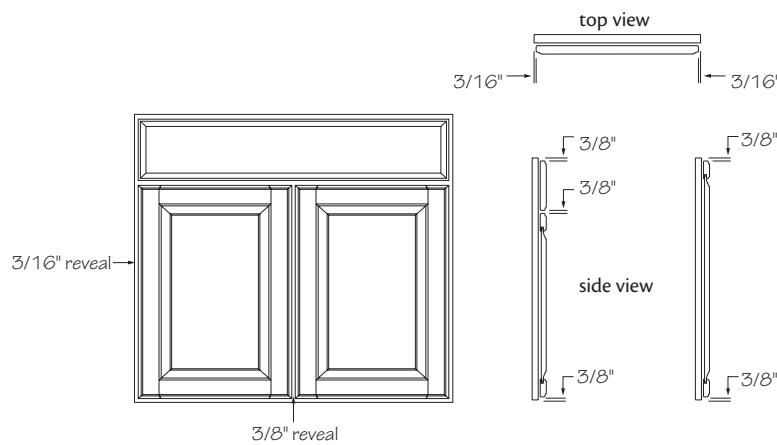
Grey color coding indicates new product, size or code.

Cabinet Specifications

Construction Options and Modifications

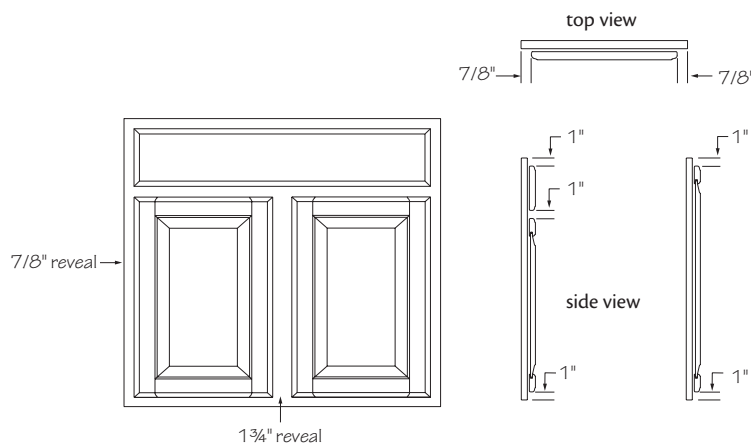
Material dimensions may vary slightly based on lumber industry standards.

Full Overlay - Concealed Hinges



- Full Overlay doors leave $3/16"$ of the cabinet's face frame exposed on either side of the doors and $3/8"$ exposed between doors
- Butt door cabinets have $1/8"$ reveal between doors
- SoftAction functionality integrated on most cabinets, allows doors to close softly and quietly. See specific models for exceptions
- Nickel-finished hinge is adjustable six ways for door alignment
- The reveals shown here may vary slightly on some cabinets due to actual door/drawer front sizes used

Traditional Overlay - Concealed Hinges

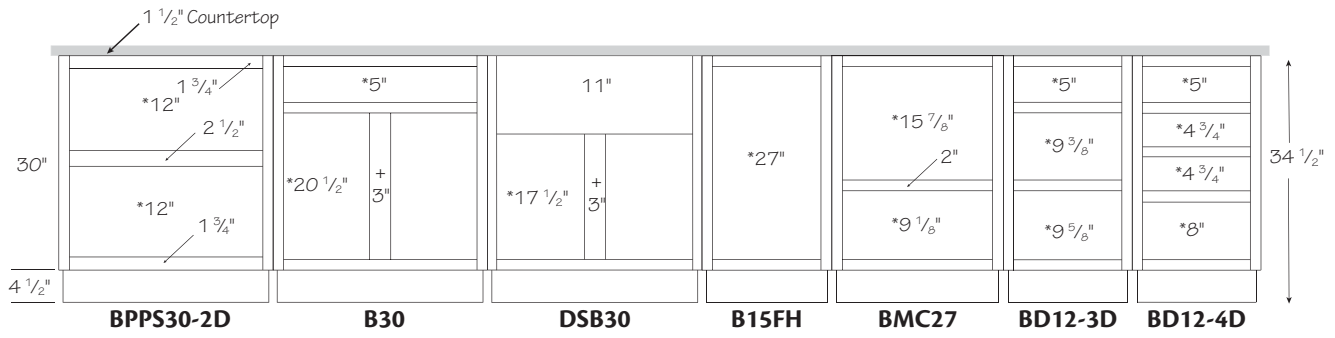
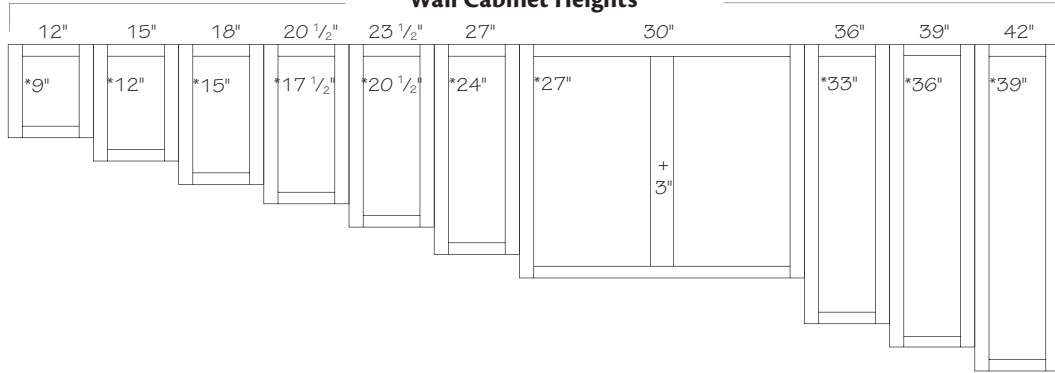


- Traditional Overlay doors leave $7/8"$ of the cabinet's face frame exposed on either side of the doors and $1\ 3/4"$ exposed between doors
- Butt door cabinets have $1/8"$ reveal between doors
- SoftAction functionality integrated on most cabinets, allows doors to close softly and quietly. See specific models for exceptions
- Nickel-finished hinge is adjustable six ways for door alignment
- The reveals shown here may vary slightly on some cabinets due to actual door/drawer front sizes used

Wall and Base Frame Dimensions

- Vertical opening sizes are preceded by an asterisk (*)
- Unless otherwise noted, all stiles and rails are 1 1/2" wide
- Unless otherwise noted, depth of cabinets excludes doors
- 3" wide vertical stiles divide double door cabinets, + indicates stiles are removed on butt door cabinets

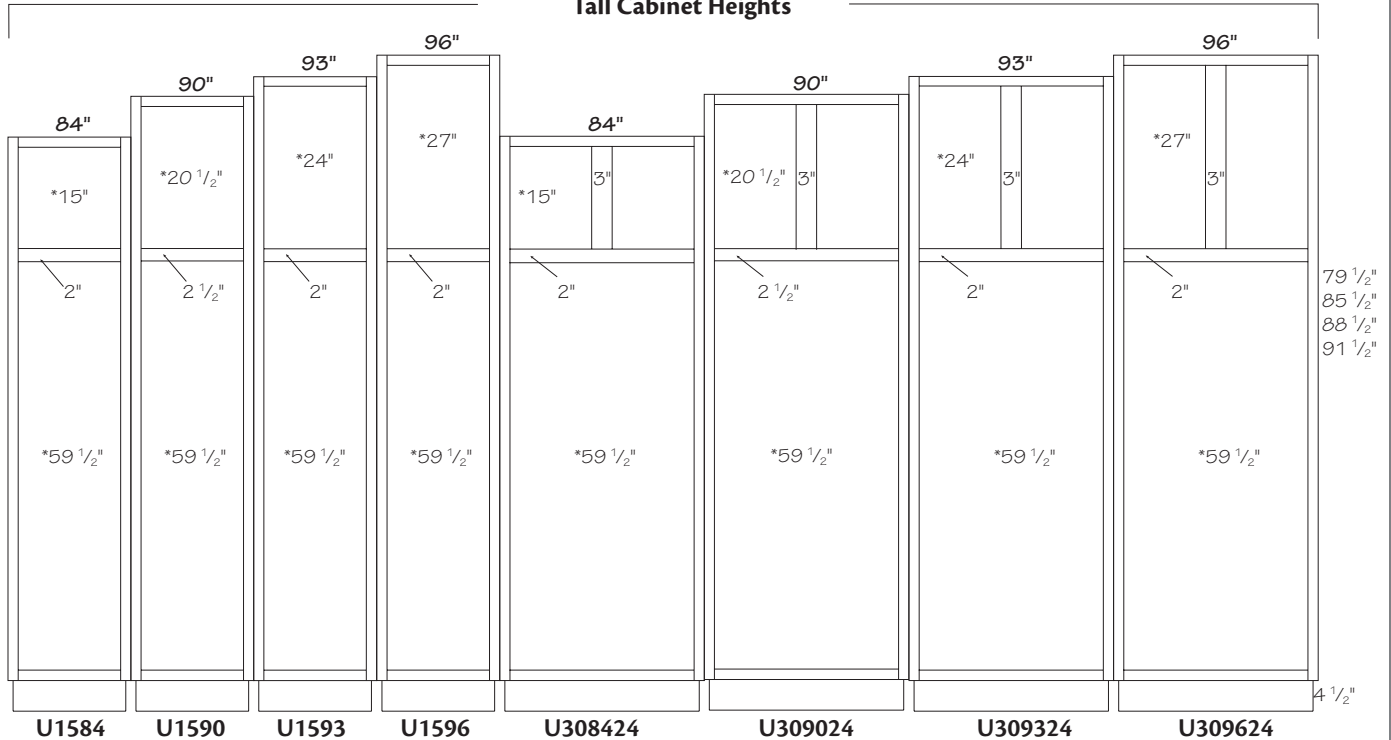
Wall Cabinet Heights



Tall Frame Dimensions

- Vertical opening sizes are preceded by an asterisk (*)
- Unless otherwise noted, all stiles and rails are 1 1/2" wide
- Unless otherwise noted, depth of cabinets excludes doors
- 3" wide upper vertical stiles divide double door cabinets

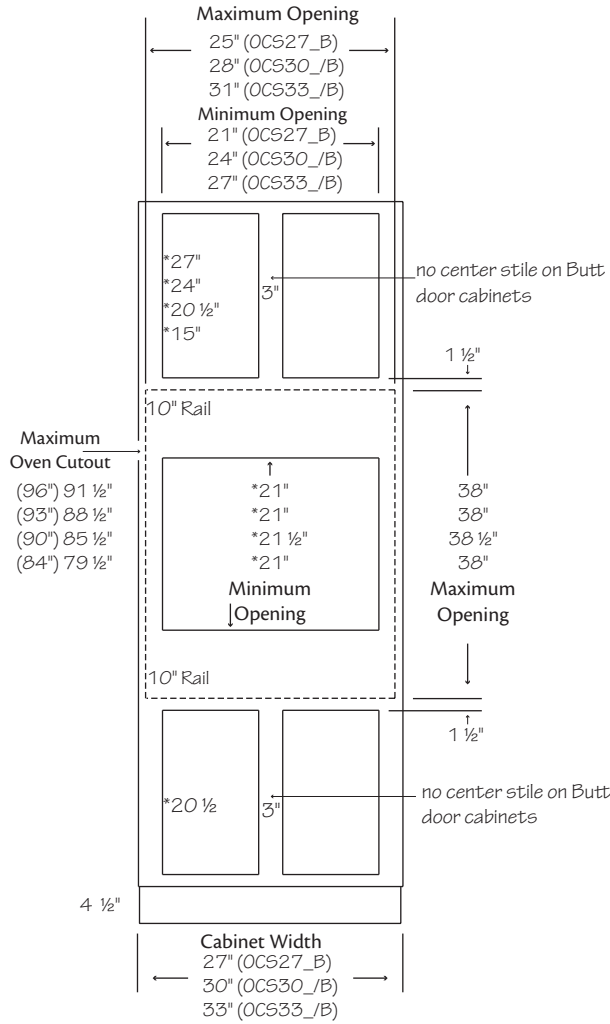
Tall Cabinet Heights



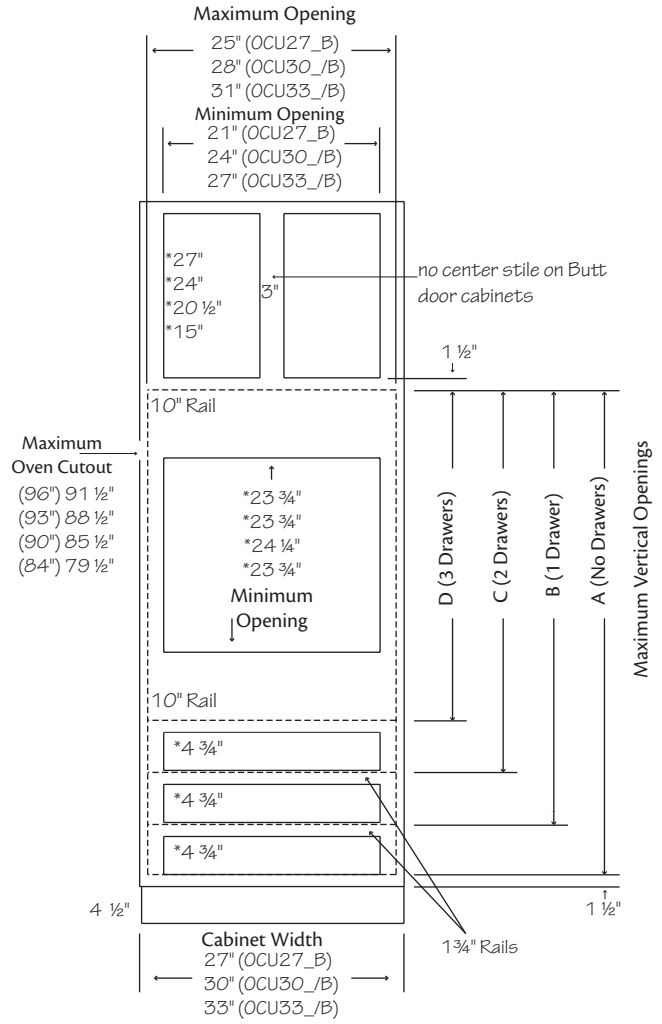
Oven Cabinet Frame Dimensions

- Vertical opening sizes are preceded by an asterisk (*)
- Unless otherwise noted, all stiles and rails are 1 1/2" wide
- Unless otherwise noted, depth of cabinets excludes doors
- OCS cabinets with stained finishes have 1 1/2" face frame stiles. Painted finishes have 3" wide, trimmable stiles provide opening width adjustment
- OCU cabinets have 3" wide trimmable full-length vertical stiles that provide opening width adjustment
- Substitute “_” with cabinet’s height

Oven Cabinet Single (OCS)



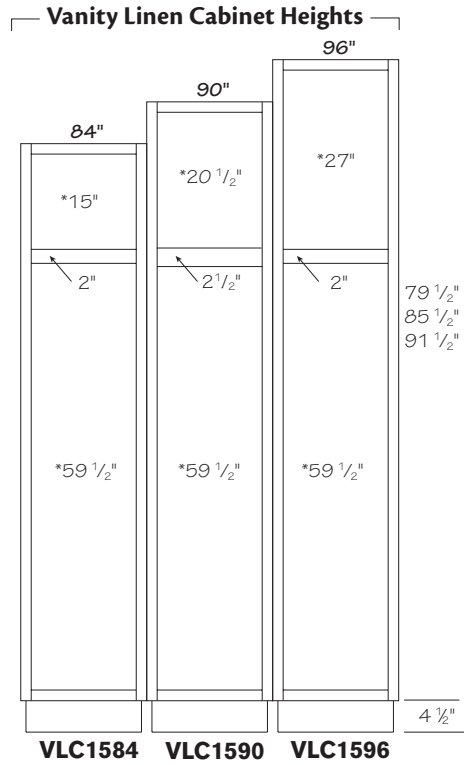
Oven Cabinet Universal (OCU)



Maximum Vertical Openings for Oven				
Cabinet Height	A	B	C	D
84"	60"	53 3/4"	47 1/4"	40 3/4"
90"	60 1/2"	54 1/4"	47 3/4"	41 1/4"
93"	60"	53 3/4"	47 1/4"	40 3/4"
96"	60"	53 3/4"	47 1/4"	40 3/4"

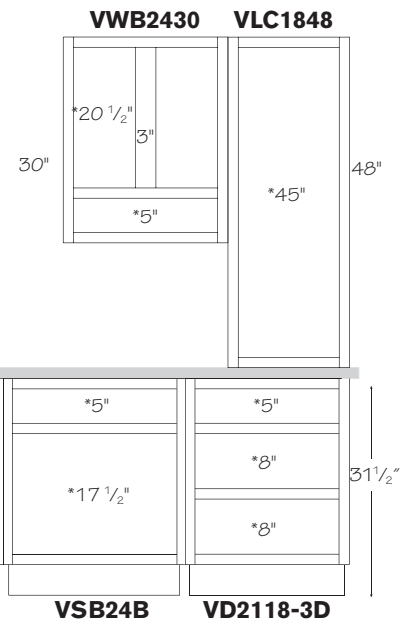
Vanity Tall Dimensions

- Vertical opening sizes are preceded by an asterisk (*)
- Unless otherwise noted, all stiles and rails are 1 1/2" wide
- Unless otherwise noted, depth of cabinets excludes doors



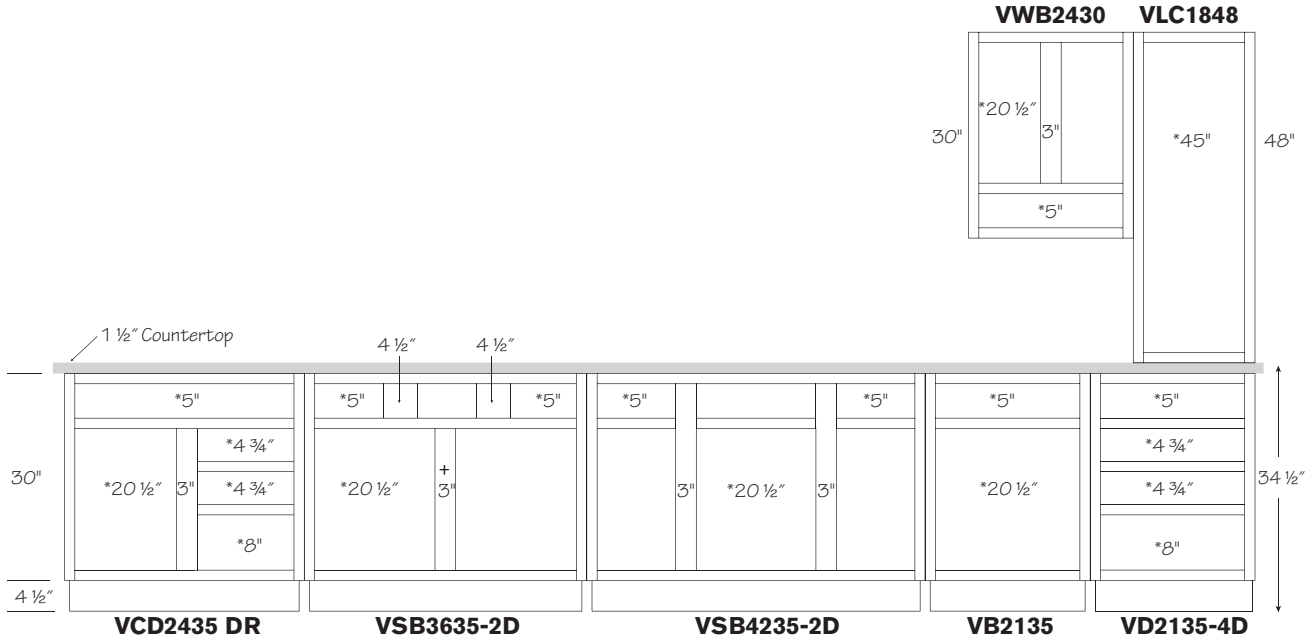
31 1/2" Vanity Frame Dimensions

- Vertical opening sizes are preceded by an asterisk (*)
- Unless otherwise noted, all stiles and rails are 1 1/2" wide
- Unless otherwise noted, depth of cabinets excludes doors
- 3" wide vertical stiles divide double door cabinets, + indicates stiles are removed on butt door cabinets



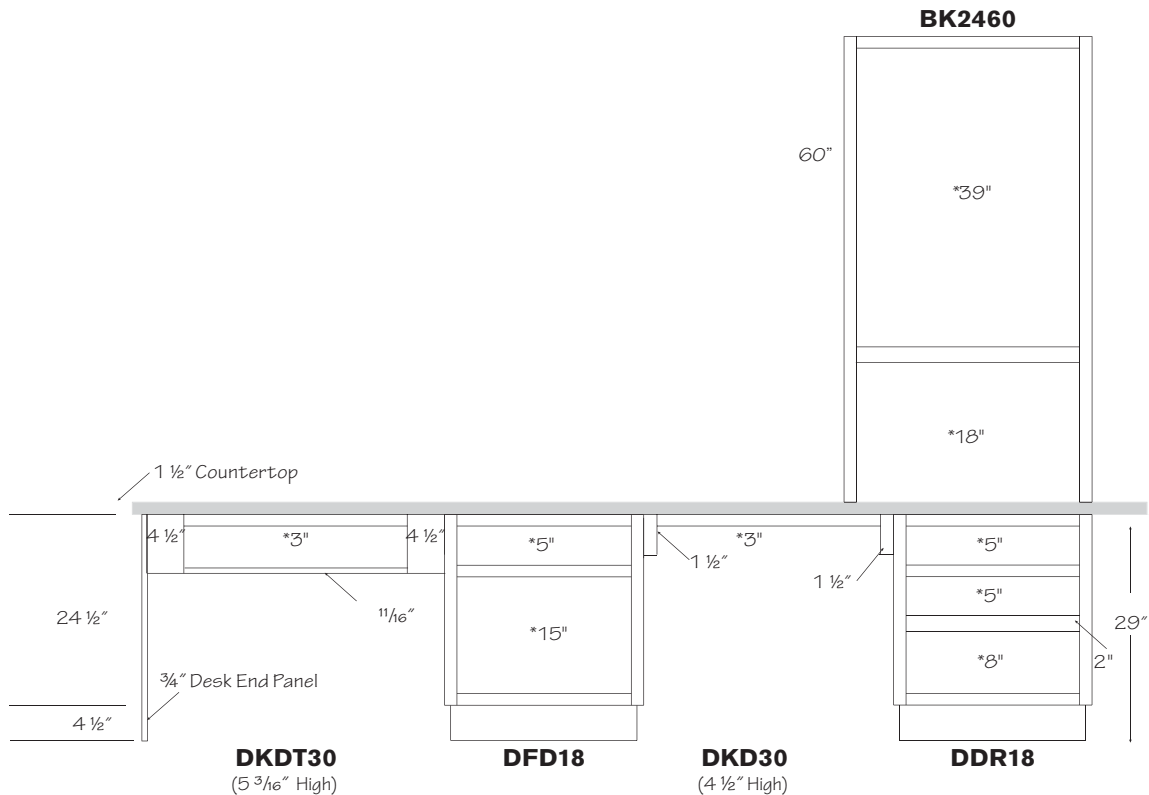
34 1/2" Vanity Frame Dimensions Item

- Vertical opening sizes are preceded by an asterisk (*)
- Unless otherwise noted, all stiles and rails are 1 1/2" wide
- Unless otherwise noted, depth of cabinets excludes doors
- 3" wide vertical stiles divide double door cabinets, + indicates stiles are removed on butt door cabinets



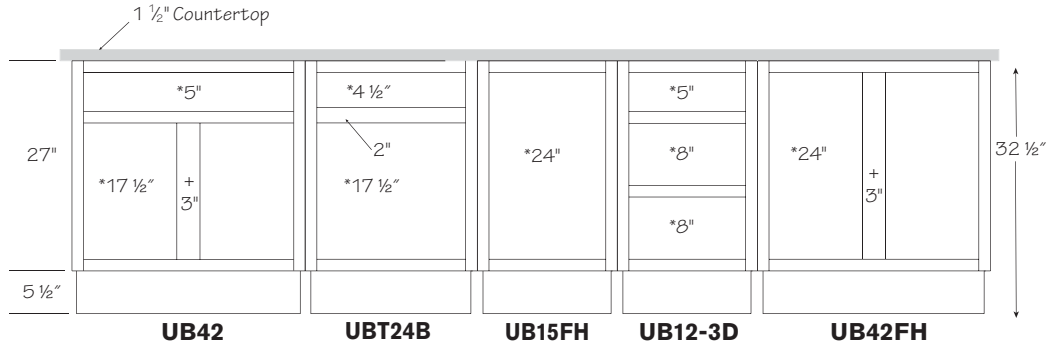
Office Frame Dimensions

- Vertical opening sizes are preceded by an asterisk (*)
- Unless otherwise noted, all stiles and rails are 1 1/2" wide
- Unless otherwise noted, depth of cabinets excludes doors



Universal Frame Dimensions

- Vertical opening sizes are preceded by an asterisk (*)
- Unless otherwise noted, all stiles and rails are 1 1/2" wide
- Unless otherwise noted, depth of cabinets excludes doors
- 3" wide vertical stiles divide double door cabinets, + indicates stiles are removed on butt door cabinets



Construction Options

Construction Options and Modifications

- ❖ Included as standard
- Available with an upcharge
- ☆ Available with exceptions

(Blank) **Not** available

Depending on the door style selected, all Merillat Cabinetry cabinet frames shall be constructed of solid hardwood matched to the door and drawer front specifications.

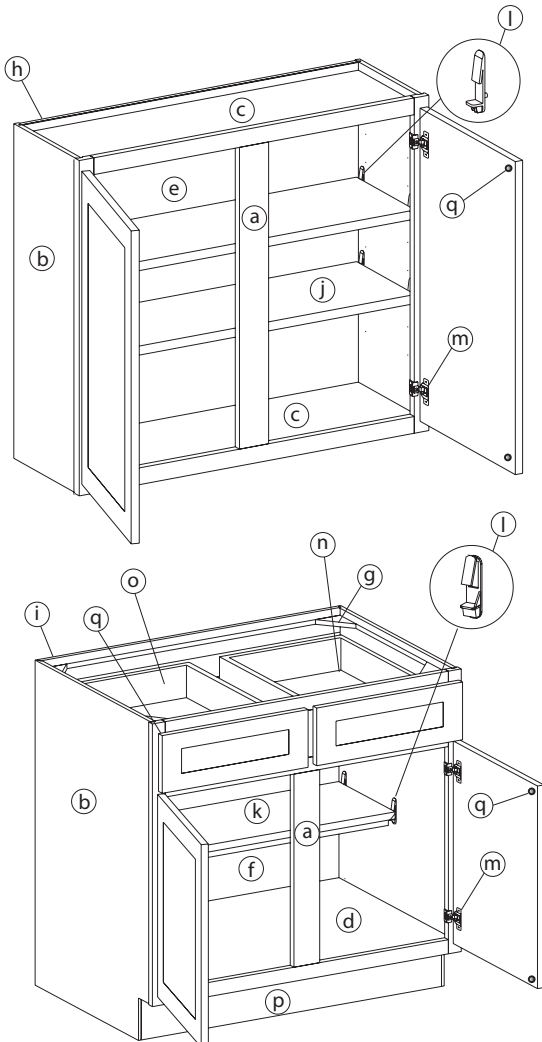
All veneered components shall be selected from architectural grade hardwood veneer depending on style selected.

Material dimensions may vary slightly based on lumber industry standards.



SST	Construction	-----	⑦	WT	Wood Trays	-----	⑩d
SDT	Construction	-----	⑦	ST	Standard Trays	-----	⑩c
PST	Construction	-----	⑦	WF	Wood Full-Width Trays	-----	⑩c
PDT	Construction	-----	⑦	FT	Standard Full-Width Trays	---	⑩c
ADT	Construction	-----	⑦	DT	Deluxe Trays	-----	⑩c
09	Depth Modification	-----	⑩b	DF	Deluxe Full-Width Trays	---	⑩c
12	Depth Modification	-----	⑩b	GD	Glass Door	-----	⑩e
15	Depth Modification	-----	⑩b	PG	Prepare for Glass Door	----	⑩e
18	Depth Modification	-----	⑩b	MG	Mullion Glass Door	-----	⑩e
21	Depth Modification	-----	⑩b	PM	Prepare for Mullion Glass	---	⑩e
24	Depth Modification	-----	⑩b	PR	Prairie Glass Door	-----	⑩e
HDS	Half Depth Shelf	-----	⑩d	PP	Prepare for Prairie Glass	---	⑩e
FDS	Full Depth Shelf	-----	⑩d	MI	Matching Interior	-----	⑩f
				CFO	Cabinet Front Only	-----	⑩g
				CSO	Case Only	-----	⑩g

Cabinet Construction



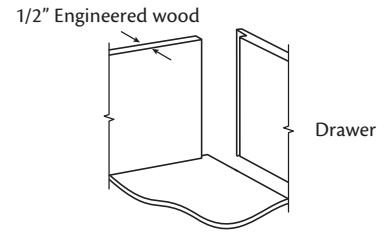
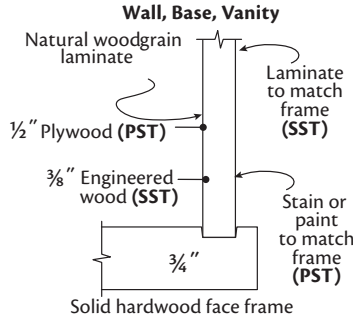
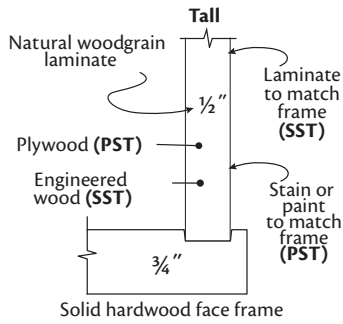
- a. Face Frame
- b. End Panels
- c. Wall and Tall Tops and Bottoms
- d. Base and Vanity Bottoms
- e. Wall Backs
- f. Tall, Base and Vanity Backs
- g. Base Corner Gussets
- h. Wall and Tall Hang Rail
- i. Base and Vanity Screw Rail
- j. Wall and Tall Shelves
- k. Base Shelves
- l. Shelf Supports
- m. Hinges
- n. Drawer Guides
- o. Drawer Core
- p. Toeboard Backer
- q. Door and Drawer Bumpers

Construction Options Chart

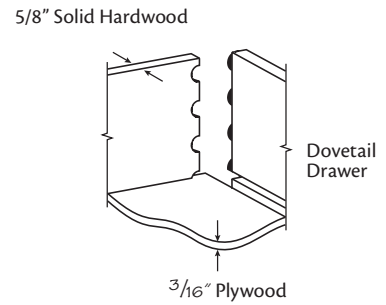
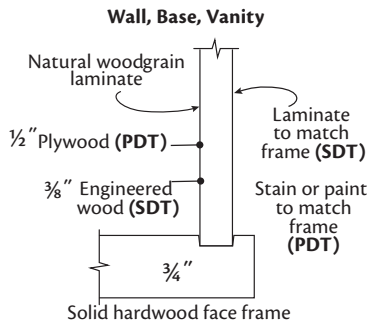
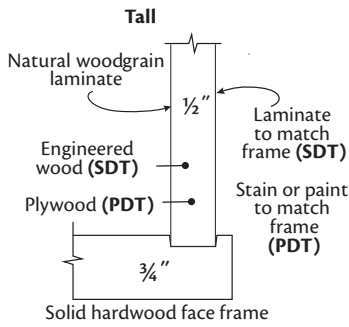
	Standard Construction (SST)	(SST) Details	Standard Construction with Dovetail Drawers (SDT)	(SDT) Details	Standard Construction with Plywood Ends (PST)	(PST) Details	Standard Construction with Plywood Ends and Dovetail Drawers (PDT)	(PDT) Details	All Plywood Construction with Dovetail Drawers (ADT)	(ADT) Details
Face Frame	Solid Hardwood									
Wall, Base and Vanity End Panels	3/8" Engineered Wood	Ext. Finish: laminate to match frame Int. Finish: natural woodgrain laminate	3/8" Engineered Wood	Ext. Finish: laminate to match frame Int. Finish: natural woodgrain laminate	1/2" Plywood	Ext. Finish: stain or paint to match frame Int. Finish: natural woodgrain laminate	1/2" Plywood	Ext. Finish: stain or paint to match frame Int. Finish: natural woodgrain laminate	1/2" Plywood	Ext. Finish: stain or paint to match frame Int. Finish: natural woodgrain laminate
Tall End Panels	1/2" Engineered Wood		1/2" Engineered Wood							
Wall and Tall Tops and Bottoms	1/2" Engineered Wood	Ext. Finish: natural woodgrain laminate Int. Finish: natural woodgrain laminate	1/2" Engineered Wood	Ext. Finish: natural woodgrain laminate Int. Finish: natural woodgrain laminate	1/2" Engineered Wood	Ext. Finish: natural woodgrain laminate Int. Finish: natural woodgrain laminate	1/2" Engineered Wood	Ext. Finish: natural woodgrain laminate Int. Finish: natural woodgrain laminate	1/2" Plywood	Ext. Finish: natural woodgrain laminate Int. Finish: natural woodgrain laminate
Base and Vanity Bottoms		Ext. Finish: unfinished Int. Finish: natural woodgrain laminate		Ext. Finish: unfinished Int. Finish: natural woodgrain laminate		Ext. Finish: unfinished Int. Finish: natural woodgrain laminate		Ext. Finish: unfinished Int. Finish: natural woodgrain laminate		
Wall Backs	3/8" Engineered Wood	Ext. Finish: unfinished Int. Finish: natural woodgrain laminate	3/8" Engineered Wood	Ext. Finish: unfinished Int. Finish: natural woodgrain laminate	3/8" Engineered Wood	Ext. Finish: unfinished Int. Finish: natural woodgrain laminate	3/8" Engineered Wood	Ext. Finish: unfinished Int. Finish: natural woodgrain laminate	3/8" Plywood	Ext. Finish: unfinished Int. Finish: natural woodgrain laminate
Base and Vanity Backs	1/4" Engineered Wood		1/4" Engineered Wood		1/4" Engineered Wood		1/4" Plywood			
Tall Backs	1/4" Engineered Wood (3/8" for PC and U36)		1/4" Engineered Wood (3/8" for PC and U36)		1/4" Engineered Wood (3/8" for PC and U36)		1/4" Plywood (3/8" for PC and U36)			
Base Corner Gussets	1/2" Engineered Wood or Plywood Dadoed and glued to cabinet corners									
Shelves	3/4" Engineered Wood w/ Clear Polycarbonate Shelf Supports	15lbs per sq. ft load capacity	3/4" Engineered Wood w/ Clear Polycarbonate Shelf Supports	15lbs per sq. ft load capacity	3/4" Engineered Wood w/ Clear Polycarbonate Shelf Supports	15lbs per sq. ft load capacity	3/4" Engineered Wood w/ Clear Polycarbonate Shelf Supports	15lbs per sq. ft load capacity	3/4" Plywood w/ Clear Polycarbonate Shelf Supports	15lbs per sq. ft load capacity
Hinges	Nickel-finished, self-closing, 6-way adjustable hinges with SoftAction functionality									
Drawer Guides	3/4 extension side-mount drawer slide system	75 lb load capacity	Full extension, concealed, undermount slide system with SoftAction+	75 lb load capacity	3/4 extension side-mount drawer slide system	75 lb load capacity	Full extension, concealed, undermount slide system with SoftAction+	75 lb load capacity	Full extension, concealed, undermount slide system with SoftAction+	75 lb load capacity
Drawer Core/ Drawer Bottom	Core: 1/2" Engineered Wood Bottom: 1/4" Engineered Wood	Drawers 30" and wider have 3/8" bottoms	Core: 5/8" Solid Hardwood Bottom: 3/16" 3-ply Plywood	Drawers 30" and wider have 3/8" solid hardwood cleat for extra support	Core: 1/2" Engineered Wood Bottom: 1/4" Engineered Wood	Drawers 30" and wider have 3/8" bottoms	Core: 5/8" Solid Hardwood Bottom: 3/16" 3-ply Plywood	Drawers 30" and wider have 3/8" solid hardwood cleat for extra support	Core: 5/8" Solid Hardwood Bottom: 3/16" 3-ply Plywood	Drawers 30" and wider have 3/8" solid hardwood cleat for extra support
Toeboard Backer	3/8" Engineered Wood or 1/2" Plywood Toespace - 4 1/2" tall (Universal is 5 1/2" tall) x 2 25/32" Deep									
Roll-Out Trays	1/2" Engineered or Solid Wood									

Construction Options Diagram

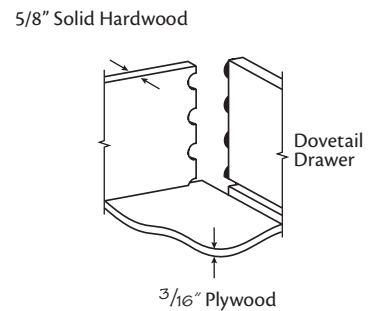
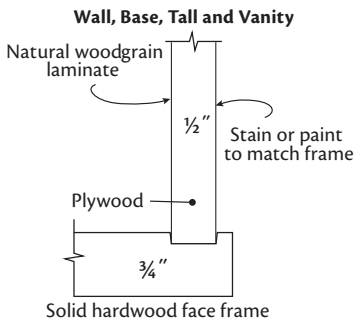
**Standard Construction (SST)
 Plywood Ends with Standard Drawers (PST)**



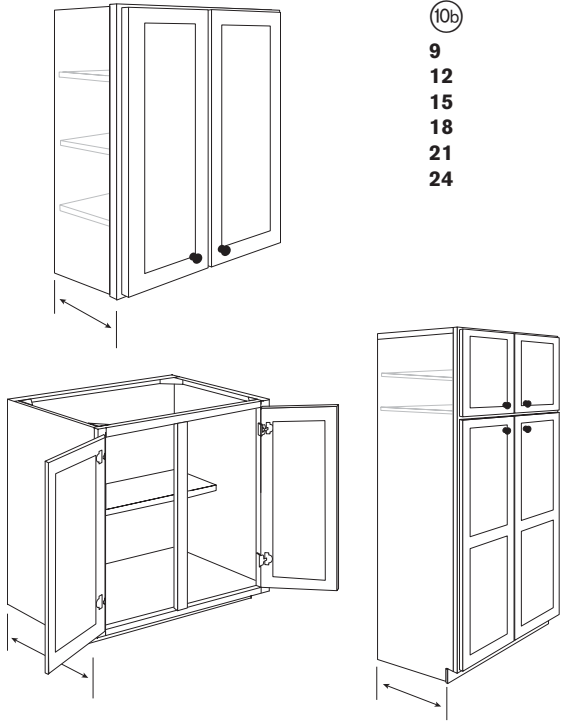
**Standard Construction with Dovetail Drawers (SDT)
 Standard Construction with Plywood Ends and Dovetail Drawers (PDT)**



All Plywood Construction with Dovetail Drawers (ADT)



Depth Modification



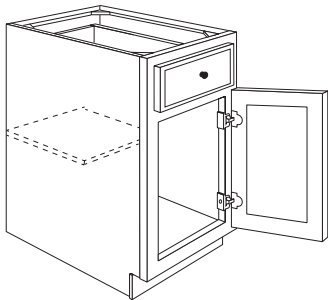
⑩b

9
12
15
18
21
24

- Some cabinets can be reduced or increased in depth to fit design requirements. See specific cabinet information for availability
- When this option is selected, Cabinet Front Only (CFO) is no longer available
- Cabinets that normally have drawers ordered less than 18" deep will be replaced with a false drawer front only

- 09 ⑩b
- 12 ⑩b
- 15 ⑩b
- 18 ⑩b
- 21 ⑩b
- 24 ⑩b

Half Depth Shelf



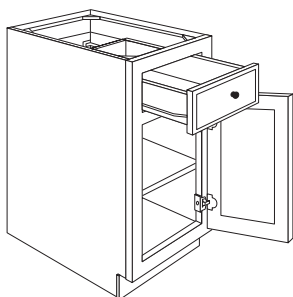
⑩d

HDS

- 3/4" engineered wood; 3/4" Plywood if All Plywood Construction with Dovetail Drawers Option (ADT) is selected
- Standard shelf for most Base and Universal cabinets
- Cabinets 39" or wider will have full length support cleat attached to the underside of the shelf along the front edge

◆ HDS ⑩d

Full Depth Shelf



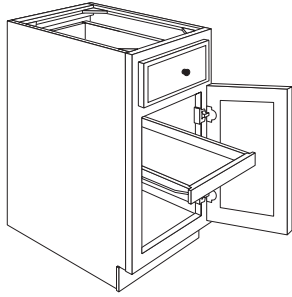
⑩d

FDS

- 3/4" engineered wood; 3/4" Plywood if All Plywood Construction with Dovetail Drawers Option (ADT) is selected
- Available for most Base and Universal cabinets
- **Note:** When selected, replace HDS (10d) with FDS

◆ FDS ⑩d

Standard Trays and Wood Trays



10d

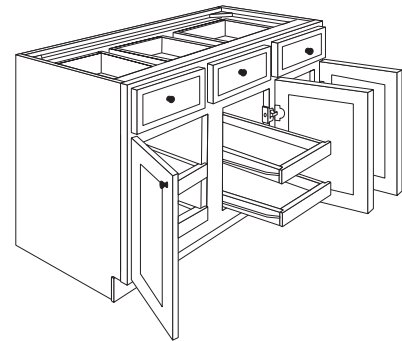
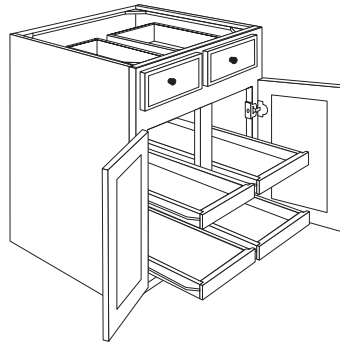
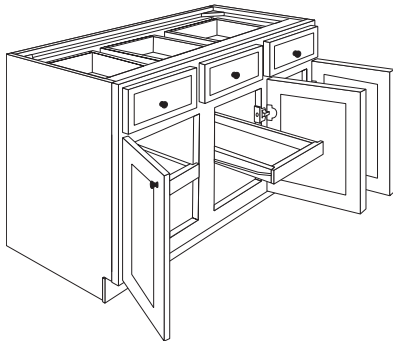
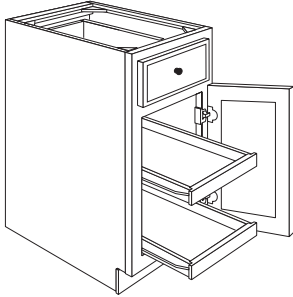
Wood Trays

- 1WT
- 2WT
- 3WT
- 4WT
- 6WT

Standard Trays

- 1ST
- 2ST
- 3ST
- 4ST
- 6ST

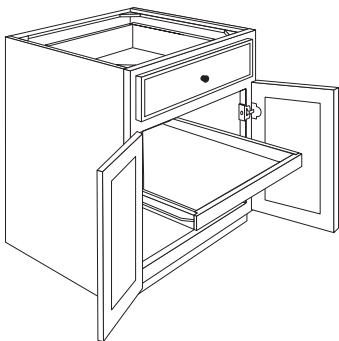
Grey color coding indicates new product, size or code.



- Standard trays sides and back are 1/2" thick engineered wood with 1/4" thick engineered wood bottom, natural woodgrain laminate. Fronts are 3/4" thick solid hardwood
- Wood trays have solid hardwood tray core with 3/4" thick front, 1/2" thick sides and back, and 3/16" thick plywood bottom panel with natural woodgrain laminate
- Available for most Base and Universal cabinets
- 3/4 extension side mount glide
- 75 lbs. capacity
- Shelves are omitted from cabinets when Roll-Out Tray options are selected
- All Plywood Construction (ADT) have solid wood roll-out trays, order using Standard Trays (Wood Full-Width tray option not orderable)
- **Note: Not** available on cabinets reduced to 12" or 15" deep

● WT 10d
 ● ST 10d

Standard Full-Width Trays and Wood Full-Width Trays



10d

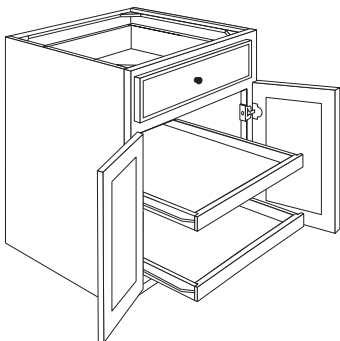
Wood Full-Width Trays

- 1WF
- 2WF

Standard Full-Width Trays

- 1FT
- 2FT

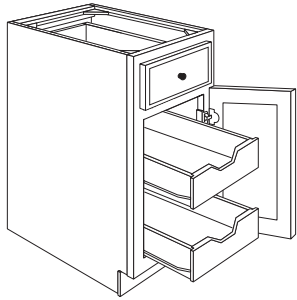
Grey color coding indicates new product, size or code.



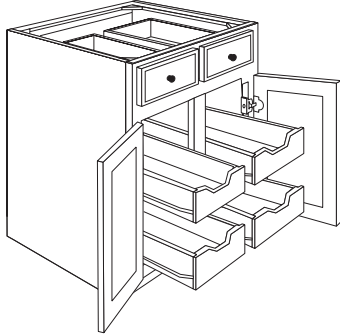
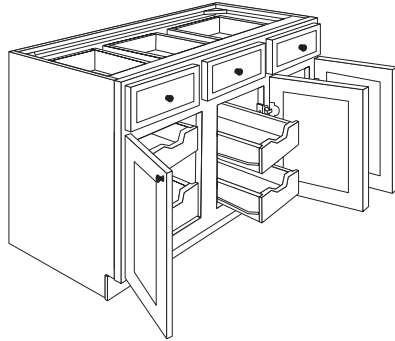
- Standard tray spans the full-width of cabinet
- Standard trays sides and back are 1/2" thick engineered wood with 1/4" thick engineered wood bottom, natural woodgrain laminate. Fronts are 3/4" thick solid hardwood
- Wood trays have solid hardwood tray core with 3/4" thick front, 1/2" thick sides and back, and 3/16" thick plywood bottom panel with natural woodgrain laminate
- Available for most Butt door Base and Universal cabinets
- Trays 30" and wider will have a 3/8" thick engineered wood bottom for additional support
- 3/4 extension side mount glide
- 75 lbs. capacity
- Shelves are omitted from cabinets when roll-out tray options are selected
- All Plywood Construction (ADT) have solid wood roll-out trays, order using Standard Full-Width Trays (Wood Full-Width tray option not orderable)
- **Note: Not** available on cabinets reduced to 12" or 15" deep

● WF 10d
 ● FT 10d

Deluxe Trays



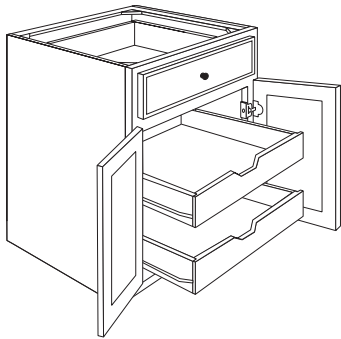
⑩d
2DT
4DT
6DT



- Sides, front and back, are 1/2" thick solid hardwood with 3-ply 3/16" thick plywood bottom panel
- 1 15/16" deep scalloped finger pull cut out
- Available for most Base and Universal cabinets
- Natural finish
- 3/4 extension side mount glide
- 75 lbs. capacity
- Shelves are omitted from cabinets when roll-out tray options are selected
- **Note: Not** available on cabinets reduced to 12" or 15" deep

● DT ⑩d

Deluxe Full-Width Trays

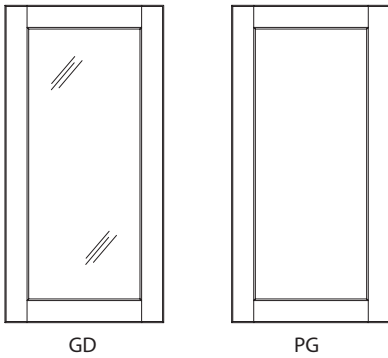


⑩d
2DF

- Deluxe tray spans the full-width of cabinet
- Sides, front and back, are 1/2" thick solid hardwood with 3-ply 3/16" thick plywood bottom panel
- 1 15/16" deep scalloped finger pull cut out
- Available for most Butt door Base and Universal cabinets
- Natural finish
- 3/4 extension side mount glide
- 75 lbs. capacity
- Shelves are omitted from cabinets when roll-out tray options are selected
- **Note: Not** available on cabinets reduced to 12" or 15" deep
- **Note:** Deluxe Full-Width Trays (DF) available on cabinets with BUTT doors

● DF ⑩d

Glass Doors

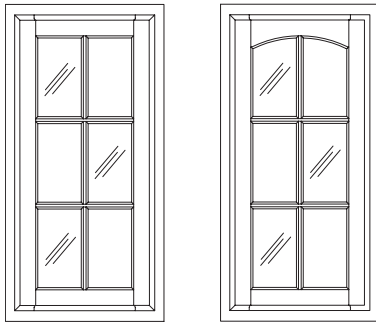


10e
 With Glass
GD
 Prepared for Glass Insert
PG

- 1/8" removable tempered glass with GD option. No glass with PG option
- Available for select wall cabinets
- **Note:** Available for the following door styles: Avenue, Bayville, Bellingham, Cannonsburg, Fox Harbor, Fusion, Glen Arbor, LaBelle, Portrait, Ralston, Rowan, Seneca Ridge, Somerton Hill, Spring Valley, Sutton Cliffs and Tolani
- **Note:** Fusion Glass Doors feature 2 3/16" solid wood stiles and rails and same profiles as Avenue and Portrait
- **Note:** Mitered door styles **cannot** be field modified for glass
- **Note:** Optional Door Insert Retaining Strip (DIRS) sold separately for use with PG option



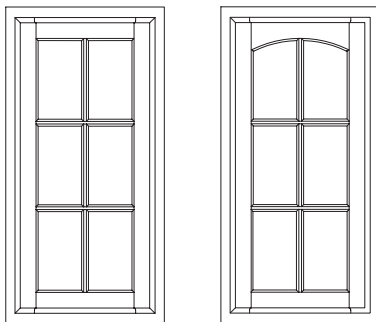
Mullion Glass Door



MG

10e
 With Glass
MG
 Prepared for Glass Insert
PM

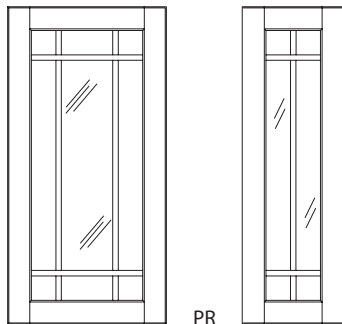
- 1/8" removable tempered glass with MG option. No glass with PM option
- Mullions are equally divided
- Available for select wall cabinets
- 12" high cabinets will not have mullions
- **Note:** Available on the following door styles: Arbor Falls II, Fox Harbor, Glen Arbor, Ralston, Seneca Ridge Arch, Seneca Ridge Square, Somerton Hill Arch, Somerton Hill Square, Spring Valley Arch, Spring Valley Square, Sutton Cliffs Arch, Suttons Cliffs Square, Whitebay II Arch and Whitebay II Square
- **Note:** Mitered door styles **cannot** be field modified for glass
- **Note:** Optional Door Insert Retaining Strip (DIRS) sold separately for use with PM option, used with all door styles except Arbor Falls II and Whitebay II
- **Note:** Optional Door Insert Clips (DIC) sold separately for use with PM option, Arbor Falls II and Whitebay II only



PM

Lite Configuration	12" 15", 18" wide	21", 24" wide
12" high	N/A	N/A
15" high	2x2	3x2
18" high	2x2	3x2
24" high	2x2	3x2
30" high	2x3	3x3
36" high	2x4	3x4
42" high	2x4	3x4

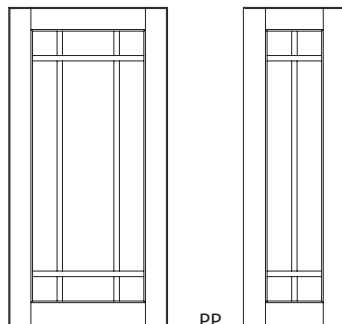
Prairie Glass Door



PR

10e
 With Glass
PR
 Prepared for Glass Insert
PP

- 1/8" removable tempered glass with PR option. No glass with PP option
- All doors have two vertical and two horizontal mullions except Tolani 12" wide cabinets and 24" wide Butt door cabinets which have only one vertical mullions. The doors on 12" high cabinets do not have mullions
- Available for select wall cabinets
- **Note:** Available on the following door styles: Avenue, Portrait and Tolani
- **Note:** Optional Door Insert Retaining Strip (DIRS) sold separately for use with PP option

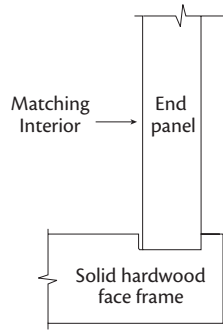


PP

Tolani 24" wide Butt door

Matching Interior

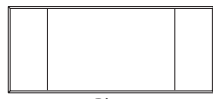
● MI ⑩f



⑩f
MI

- Matching interior option affects:
End Panels
Shelves
Tops and Bottoms
Back Panel
- Interior surfaces are easy clean laminate
- **Note:** Option only available in combination with cabinets with Glass Door (GD, MD, PR) or a Prepared for Insert (PG, PM, PP) option is selected

Drawer Front

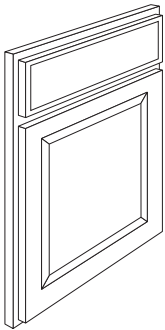


⑧
3
5

- 3 piece drawer front is only available in Tolani
- 5 piece drawer front is only available in Avenue, Cannonsburg, Portrait Cherry and Maple, Ralston, and Rowan

Cabinet Front Only

● CFO ⑩g



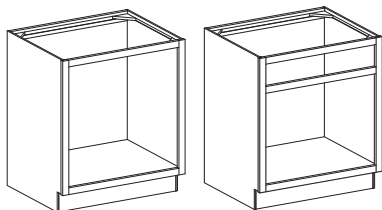
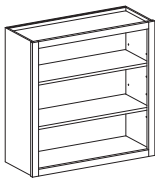
⑩g
CFO

- Front frame and appropriate doors and drawer fronts only
- Does **not** include toe kick
- **Note: Cannot** be combined with any depth modifications, tray or shelf options

New

Case Only Option

● CSO ⑩g



⑩g
CSO

Grey color coding indicates new product, size or code.

- For Case Only option on Walls:
Includes shelves, if applicable
Interior and shelves are natural woodgrain
Case Only (CSO) Matching Interior is available on the same cabinet sizes as glass door offerings
No doors or hinges
- For Case Only (CSO) option on Base, Base Drawer, Vanity, Vanity Drawer, Tall and Universal:
Includes cabinet box only
Does **not** include doors, drawer fronts, drawer cores, hinges, shelves, trays and slides
- Available on most cabinets, see individual models for exceptions
- Cabinets with revolving shelves will ship with revolving shelves; Base Corner Fixed Shelf (BCF536) will ship with fixed shelf

Wall Cabinets

Construction Options and Modifications

- ❖ Included as standard
- Available with an upcharge
- ☆ Available with exceptions

(Blank) **Not** available

Note: Standard wall cabinet box depth is 12" unless stated otherwise. Add door thickness with bumpers for total depth.

Caution: Installation of a wall cabinet 30" or wider requires additional support, such as attachment to a soffit, or support from below. Failure to provide additional support could result in collapse of the cabinet, serious personal injury, or property damage. Damage relating to failure to provide additional support is **not** covered by the limited warranty. See inside cover for warranty details

Any wall cabinet over 24" wide or 30" high with a depth greater than 12" and/or butt doors **must** be installed between two cabinets, a cabinet and a wall, or supported from below.

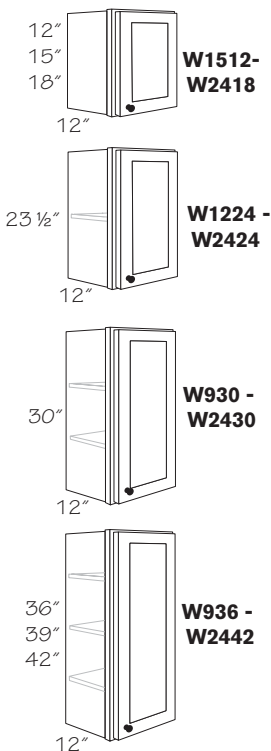
Specifications subject to change without notice.

Material dimensions may vary slightly based on lumber industry standards.



SST	Construction	-----	(7)
SDT	Construction	-----	(7)
PST	Construction	-----	(7)
PDT	Construction	-----	(7)
ADT	Construction	-----	(7)
09	Depth Modification	-----	(10b)
15	Depth Modification	-----	(10b)
18	Depth Modification	-----	(10b)
21	Depth Modification	-----	(10b)
24	Depth Modification	-----	(10b)
GD	Glass Door	-----	(10e)
PG	Prepare for Glass Door	-----	(10e)
MG	Mullion Glass Door	-----	(10e)
PM	Prepare for Mullion Glass	---	(10e)
PR	Prairie Glass Door	-----	(10e)
PP	Prepare for Prairie Glass	---	(10e)
MI	Matching Interior	-----	(10f)
CFO	Cabinet Front Only	-----	(10g)
CSO	Case Only	-----	(10g)

Wall Single Door



(10a)	(10c)	(10a)	(10c)
Specify R or L 12" High		Specify R or L 36" High	
W1512	R or L	◆ W936	R or L
W1812	R or L	◆ W1236	R or L
W2112	R or L	◆ W1536	R or L
15" High		◆ W1836	R or L
W1515	R or L	◆ W2136	R or L
W1815	R or L	◆ W2436	R or L
W2115	R or L	39" High	
18" High		◆ W939	R or L
W1218	R or L	◆ W1239	R or L
W1518	R or L	◆ W1539	R or L
W1818	R or L	◆ W1839	R or L
W2118	R or L	◆ W2139	R or L
W2418	R or L	◆ W2439	R or L
23 1/2" High		42" High	
◆ W1224	R or L	◆ W942	R or L
◆ W1524	R or L	◆ W1242	R or L
◆ W1824	R or L	◆ W1542	R or L
◆ W2124	R or L	◆ W1842	R or L
◆ W2424	R or L	◆ W2142	R or L
30" High		◆ W2442	R or L
◆ W930	R or L		
◆ W1230	R or L		
◆ W1530	R or L		
◆ W1830	R or L		
◆ W2130	R or L		
◆ W2430	R or L		

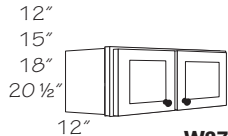
- 12"-18" high cabinets have no shelves
- 23 1/2" high cabinets have one adjustable shelf
- 30" high cabinets have two adjustable shelves
- 36" - 42" high cabinets have three adjustable shelves
- ☆ Matching Interior (MI) option only available when a glass door (GD, MG, PR) or prepared for insert (PG, PM, PP) option is selected
- ☆ Glass door (GD, MG, PR) and prepared for insert (PG, PM, PP) options are available on select door styles. See Construction Options for specifics

❖ SST	(7)	☆ GD	(10e)
❖ SDT	(7)	☆ PG	(10e)
● PST	(7)	☆ MG	(10e)
● PDT	(7)	☆ PM	(10e)
● ADT	(7)	☆ PR	(10e)
● 09	(10b)	☆ PP	(10e)
● 15	(10b)	☆ MI	(10f)
● 18	(10b)	● CFO	(10g)
● 21	(10b)	● CSO	(10g)
● 24	(10b)		

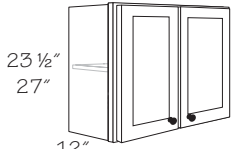
◆ **Not** available with glass door (GD, MG, PR), prepared for insert (PG, PM, PP) or Matching Interior (MI) options

Grey color coding indicates new product, size or code.

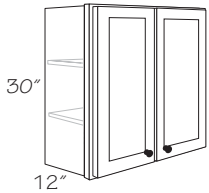
Wall Double Door



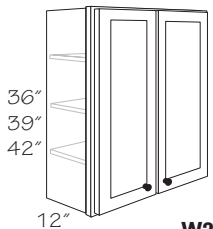
W2712B - W4221



W2424B - W4227



W2430B - W4830



W2436B - W4242

⑩a

12" High
W2712B
W3012
W3012B
W3312
W3312B
W3612
W3612B
W3912
W4212
W4512
W4812

15" High
W2715B
W3015
W3015B
W3315
W3315B
W3615
W3615B
W3915
W4215
W4515
W4815

18" High
W2418B
W2718B
W3018
W3018B
W3318
W3318B
W3618
W3618B
W3918
W4218
W4518
W4818

20 1/2" High
W3021
W3021B
W3321
W3321B
W3621
W3621B
W3921
W4221

23 1/2" High
W2424B
W2724B
W3024
W3024B
W3324
W3324B
W3624
W3624B
W3924
W4224
W4524
W4824

⑩a

27" High
W3027
W3027B
W3327
W3327B
W3627
W3627B
W3927
W4227

30" High
W2430B
W2730B
W3030
W3030B
W3330
W3330B
W3630
W3630B
W3930
W4230
W4530
W4830

36" High
W2436B
W2736B
W3036
W3036B
W3336
W3336B
W3636
W3636B
W3936
W4236

39" High
W2439B
W2739B
W3039B
W3339B
W3639B
W3939
W4239

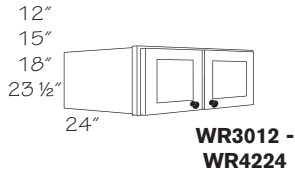
42" High
W2442B
W2742B
W3042
W3042B
W3342
W3342B
W3642
W3642B
W3942
W4242

- 12" - 20 1/2" high cabinets have no shelves
- 23 1/2" and 27" high cabinets have one adjustable shelf
- 30" high cabinets have two adjustable shelves
- 36" - 42" high cabinets have three adjustable shelves
- Cabinets with a "B" suffix have BUTT doors without a center stile
- ☆ Matching Interior (MI) option only available when a glass door (GD, MG, PR) or prepared for insert (PG, PM, PP) option is selected
- ☆ Glass door (GD, MG, PR) and prepared for insert (PG, PM, PP) options are available on select door styles. See Construction Options for specifics

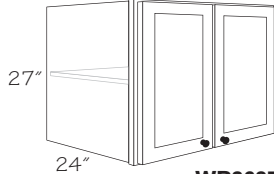
❖ SST ⑦	☆ GD ⑩e
❖ SDT ⑦	☆ PG ⑩e
● PST ⑦	☆ MG ⑩e
● PDT ⑦	☆ PM ⑩e
● ADT ⑦	☆ PR ⑩e
● 09 ⑩b	☆ PP ⑩e
● 15 ⑩b	☆ MI ⑩f
● 18 ⑩b	● CFO ⑩g
● 21 ⑩b	● CSO ⑩g
● 24 ⑩b	

■ Available with glass door (GD, MG, PR) or prepared for insert (PG, PM, PP) options

Wall Refrigerator



WR3012 - WR4224



WR3627 - WR3927

10a

- 12" High
 WR3012
 WR3012B
 WR3312
 WR3312B
 WR3612
 WR3612B
 WR3912
 WR4212

- 15" High
 WR3015
 WR3015B
 WR3315
 WR3315B
 WR3615
 WR3615B
 WR3915

10a

- 18" High
 WR3018
 WR3018B
 WR3318
 WR3318B
 WR3618
 WR3618B
 WR3918
 WR4218

- 23 1/2" High
 WR3624
 WR3624B
 WR3924
 WR4224
 27" High
 WR3627
 WR3627B
 WR3927

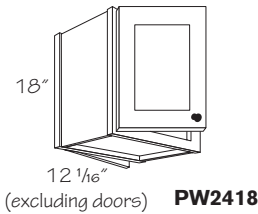
- Available with glass door (GD, MG, PR) or prepared for insert (PG, PM, PP) options

- Designed for use over refrigerators where there is adequate clearance
- 12" - 23 1/2" high cabinets have no shelves
- 27" high cabinets have one adjustable shelf
- Cabinets with a "B" suffix have BUTT doors without a center stile
- Matching Interior (MI) option only available when a glass door (GD, MG, PR) or prepared for insert (PG, PM, PP) option is selected
- Glass door (GD, MG, PR) and prepared for insert (PG, PM, PP) options are available on select door styles. See Construction Options for specifics

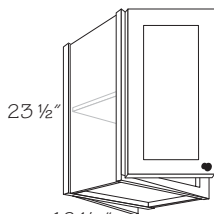
❖ SST 7	☆ GD 10e
❖ SDT 7	☆ PG 10e
● PST 7	☆ MG 10e
● PDT 7	☆ PM 10e
● ADT 7	☆ PR 10e
09 10b	☆ PP 10e
15 10b	☆ MI 10f
18 10b	● CFO 10g
21 10b	● CSO 10g
24 10b	

Caution: Additional support is required. See installation sheet provided with cabinet or the Merillat Framed Cabinet Installation Guide

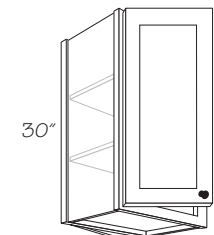
Peninsula Wall Single Door



PW2418



PW1824 - PW2424



PW1830 - PW2430

10a

- 18" High
 PW2418
 23 1/2" High
 PW1824
 PW2124
 PW2424
 30" High
 PW1830
 PW2130
 PW2430

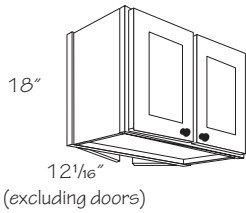
- Available with glass door (GD, MG, PR) or prepared for insert (PG, PM, PP) options

- 18" high cabinets have no shelves
- 23 1/2" high cabinets have one adjustable shelf
- 30" high cabinets have two adjustable shelves
- Reversible for left or right hinging
- Each side has one door hinged at the same end of cabinet
- Matching Interior (MI) option only available when a glass door (GD, MG, PR) or prepared for insert (PG, PM, PP) option is selected
- Glass door (GD, MG, PR) and prepared for insert (PG, PM, PP) options are available on select door styles. See Construction Options for specifics

❖ SST 7	☆ GD 10e
❖ SDT 7	☆ PG 10e
● PST 7	☆ MG 10e
● PDT 7	☆ PM 10e
● ADT 7	☆ PR 10e
09 10b	☆ PP 10e
15 10b	☆ MI 10f
18 10b	● CFO 10g
21 10b	● CSO 10g
24 10b	

Caution: Peninsula Wall Cabinets **must** be installed against a soffit, ceiling or supported by a countertop. See Cabinet installation guide for specific instructions

Peninsula Wall Double Door



PW2418 - PW3618B

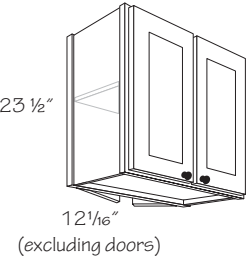
⑩a

18" High
 ◆ **PW2418B**
PW3018
PW3018B
PW3618
PW3618B

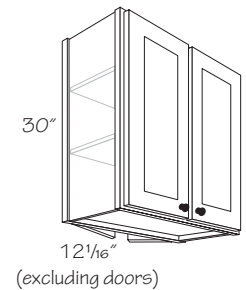
23 1/2" High
 ◆ **PW2424B**
PW3024
PW3024B
PW3624
PW3624B

30" High
 ◆ **PW2430B**
PW3030
PW3030B
PW3630
PW3630B

◆ **Not** available with glass door (GD, MG, PR), prepared for insert (PG, PM, PP) or Matching Interior (MI) options



PW2424B - PW3624B



PW2430B - PW3630B

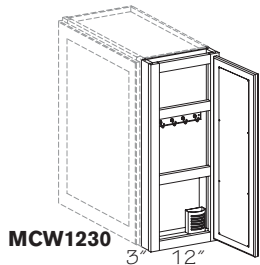
- 18" high cabinets have no shelves
- 23 1/2" high cabinets have one adjustable shelf
- 30" high cabinets have two adjustable shelves
- Cabinets with a "B" suffix have BUTT doors without a center stile
- Each side has two doors
- ☆ Matching Interior (MI) option only available when a glass door (GD, MG, PR) or prepared for insert (PG, PM, PP) option is selected
- ☆ Glass door (GD, MG, PR) and prepared for insert (PG, PM, PP) options are available on select door styles. See Construction Options for specifics

❖ SST ⑦	☆ GD ⑩e
❖ SDT ⑦	☆ PG ⑩e
● PST ⑦	☆ MG ⑩e
● PDT ⑦	☆ PM ⑩e
● ADT ⑦	☆ PR ⑩e
09 ⑩b	☆ PP ⑩e
15 ⑩b	☆ MI ⑩f
18 ⑩b	● CFO ⑩g
21 ⑩b	● CSO ⑩g
24 ⑩b	

⚠ Peninsula Wall Cabinets **must** be installed against a soffit, ceiling or supported by a countertop. See Cabinet installation guide for specific instructions

New

Message Center Wall



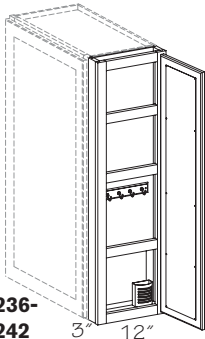
MCW1230

⑩a

⑩c

Specify R or L
MCW1230 R or L
MCW1236 R or L
MCW1239 R or L
MCW1242 R or L

Grey color coding indicates new product, size or code.



**MCW1236-
MCW1242**

- Available in all door styles
- 30" high cabinets have two fixed shelves
- 36"- 42" high cabinets have three fixed shelves
- Shelves are 1 7/8" deep
- Installs against the side of a 12" deep Wall Cabinet at the end of a run
- 3" wide, excluding door
- Specify R or L. Cabinet should be hinged on kitchen Wall side.
- **Not** invertible
- (4) hook key rail installed to cabinet back panel
- Full size white metallic dry erase marker board installed on the back side of door
- A second marker board is installed on cabinet back panel, bottom section
- Includes a rounded stainless steel pencil holder with full size magnet on backside: 3" wide x 3 1/2" tall x 1 1/2" deep
- 3" wide overlay (OL) available for all full overlay door styles, except Fusion. Overlay used to cover the exposed side of cabinet. Not included, order separately
- ☆ Cabinet components other than the frame are constructed of plywood
- ☆ Regardless of construction option, model is constructed the same

☆ SST ⑦	GD ⑩e
☆ SDT ⑦	PG ⑩e
☆ PST ⑦	MG ⑩e
☆ PDT ⑦	PM ⑩e
☆ ADT ⑦	PR ⑩e
09 ⑩b	PP ⑩e
15 ⑩b	MI ⑩f
18 ⑩b	● CFO ⑩g
21 ⑩b	● CSO ⑩g
24 ⑩b	

Wall Corner Cabinets

Construction Options and Modifications

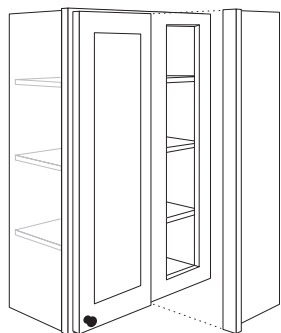
- ❖ Included as standard
- Available with an upcharge
- ☆ Available with exceptions
- (Blank) **Not** available

SST	Construction	-----	⑦	GD	Glass Door	-----	⑩e
SDT	Construction	-----	⑦	PG	Prepare for Glass Door	-----	⑩e
PST	Construction	-----	⑦	MG	Mullion Glass Door	-----	⑩e
PDT	Construction	-----	⑦	PM	Prepare for Mullion Glass	---	⑩e
ADT	Construction	-----	⑦	PR	Prairie Glass Door	-----	⑩e
09	Depth Modification	-----	⑩b	PP	Prepare for Prairie Glass	---	⑩e
15	Depth Modification	-----	⑩b	MI	Matching Interior	-----	⑩f
18	Depth Modification	-----	⑩b	CFO	Cabinet Front Only	-----	⑩g
21	Depth Modification	-----	⑩b	CSO	Case Only	-----	⑩g
24	Depth Modification	-----	⑩b				

⑩a

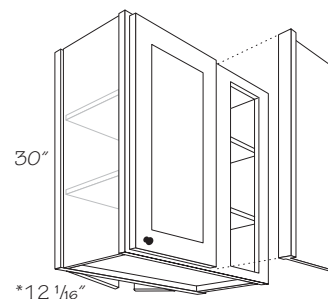
WBC30/3330BR

Wall Blind Corner Cabinet Information



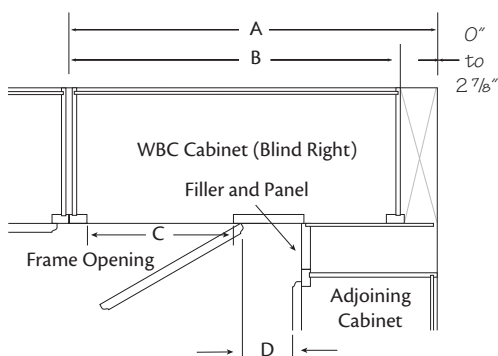
Wall Blind Corner Cabinet
Blind Right (BR) shown

- Wall blind corner cabinets provide access to corner space and permits adjustability of up to 2 7/8" maximum to aid in kitchen cabinet layout. Consult chart for "pull" dimensions and minimum wall space requirements.
- "Pulling" the cabinet away from the corner (2 7/8" maximum), and using the supplied filler and panel provides clearance for opening doors when decorative hardware is used.
- BR or BL indicates blind end of cabinet. Please specify.
- Door hinged on same side as blind
- Square design door cabinets may be changed from right to left by inverting cabinet.
- Arch design door cabinets **cannot** be inverted and **must** be ordered blind right or blind left.
- Overlays (OL) available for all full overlay door styles except Fusion. Order separately. Overlays are used to cover the exposed filler and frame. This provides a continuous door appearance. Overlays **must** be field cut (mitered) to required width determined by cabinet "pull". See Filler Overlay Detail below.
- **Note:** A 3" Wall Filler and Blind Panel is included with each WBC cabinet ordered, shipped unattached.

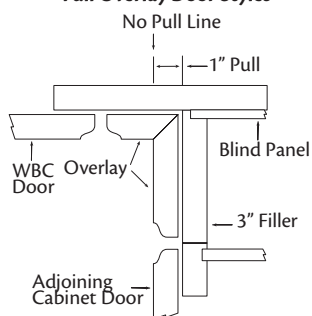


PWBC24/2730 shown
Peninsula Wall Blind Corner Cabinet
(*Dimension excludes doors)
Blind Right (BR) shown

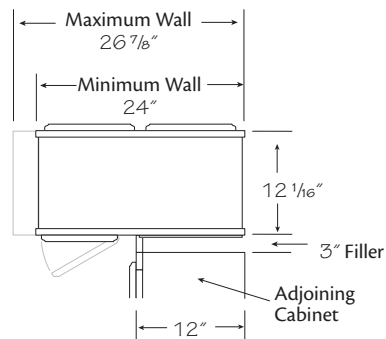
Wall Blind Corner



Filler Overlay Detail Full Overlay Door Styles

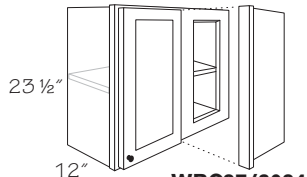


Peninsula Blind Corner Cabinet

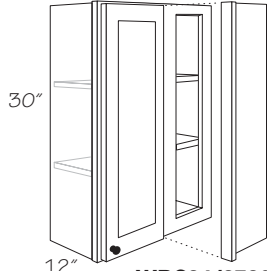


Wall Blind Corner	Partial Overlay					Full Overlay						
	(A) Wall Space		(B) Cabinet Width	(C) Frame Opening	(D) Door Hardware Clearance		(A) Wall Space		(B) Cabinet Width	(C) Frame Opening	(D) Door Hardware Clearance	
	No Pull	Max Pull			No Pull	Max Pull	No Pull	Max Pull			No Pull	Max Pull
WBC24/27	24"	26 7/8"	24"	7 1/2"	1 1/2"	4 3/8"	24"	26 7/8"	24"	7 1/2"	13/16"	3 11/16"
WBC27/30	27"	29 7/8"	27"	10 1/2"	1 1/2"	4 3/8"	27"	29 7/8"	27"	10 1/2"	13/16"	3 11/16"
WBC30/33	30"	32 7/8"	30"	13 1/2"	1 1/2"	4 3/8"	30"	32 7/8"	30"	13 1/2"	13/16"	3 11/16"
WBC33/36	33"	35 7/8"	33"	16 1/2"	1 1/2"	4 3/8"	33"	35 7/8"	33"	16 1/2"	13/16"	3 11/16"
WBC36/39	36"	38 7/8"	36"	19 1/2"	1 1/2"	4 3/8"	36"	38 7/8"	36"	19 1/2"	13/16"	3 11/16"
WBC42/45	42"	44 7/8"	42"	10 1/2", 12"	1 1/2"	4 3/8"	42"	44 7/8"	42"	10 1/2", 12"	13/16"	3 11/16"
WBC48/51	48"	50 7/8"	48"	13 1/2", 15"	1 1/2"	4 3/8"	48"	50 7/8"	48"	13 1/2", 15"	13/16"	3 11/16"
PWBC24/27	24"	26 7/8"	24"	7 1/2"	1 1/2"	4 3/8"	24"	26 7/8"	24"	7 1/2"	13/16"	3 11/16"

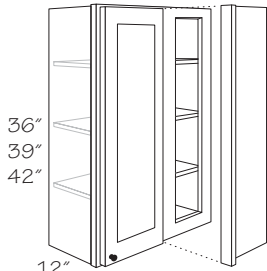
Blind Right (BR) shown



WBC27/3024
WBC36/3924



WBC24/2730 -
WBC36/3930



WBC24/2736 -
WBC36/3942

⑩a

Specify BR or BL
23 1/2" High

WBC27/3024 BR or BL
WBC36/3924 BR or BL

30" High

WBC24/2730 BR or BL
WBC27/3030 BR or BL
WBC30/3330 BR or BL
WBC33/3630 BR or BL
WBC36/3930 BR or BL

36" High

WBC24/2736 BR or BL
WBC27/3036 BR or BL
WBC30/3336 BR or BL
WBC36/3936 BR or BL

39" High

WBC24/2739 BR or BL
WBC27/3039 BR or BL
WBC30/3339 BR or BL
WBC36/3939 BR or BL

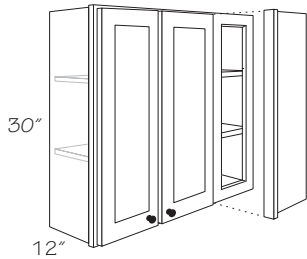
42" High

WBC24/2742 BR or BL
WBC27/3042 BR or BL
WBC30/3342 BR or BL
WBC36/3942 BR or BL

- 23 1/2" high cabinets have one adjustable shelf
- 30" high cabinets have two adjustable shelves
- 36" - 42" high cabinets have three adjustable shelves
- Door hinged to center stile
- Do **not** pull cabinet more than 2 7/8" from corner
- Blind Panel with 3" filler included, shipped unattached
- Overlays (OL) available for all full overlay door styles except Fusion. Order separately

❖ SST ⑦	GD ⑩e
❖ SDT ⑦	PG ⑩e
● PST ⑦	MG ⑩e
● PDT ⑦	PM ⑩e
● ADT ⑦	PR ⑩e
● 09 ⑩b	PP ⑩e
● 15 ⑩b	MI ⑩f
● 18 ⑩b	● CFO ⑩g
● 21 ⑩b	● CSO ⑩g
● 24 ⑩b	

Wall Blind Corner Double Door



Blind Right (BR) shown

⑩a

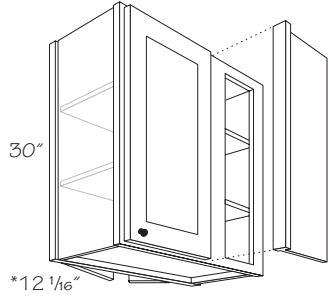
Specify BR or BL

WBC42/4530 BR or BL
WBC48/5130 BR or BL

- Two adjustable shelves
- Two different width doors; the narrower is located next to the blind panel
- Do **not** pull cabinet more than 2 7/8" from corner
- Blind Panel with 3" filler included, shipped unattached
- Overlays (OL) available for all full overlay door styles except Fusion. Order separately

❖ SST ⑦	GD ⑩e
❖ SDT ⑦	PG ⑩e
● PST ⑦	MG ⑩e
● PDT ⑦	PM ⑩e
● ADT ⑦	PR ⑩e
● 09 ⑩b	PP ⑩e
● 15 ⑩b	MI ⑩f
● 18 ⑩b	● CFO ⑩g
● 21 ⑩b	● CSO ⑩g
● 24 ⑩b	

Peninsula Wall Blind Corner



Blind Right (BR) shown

*Dimension excludes doors

10a

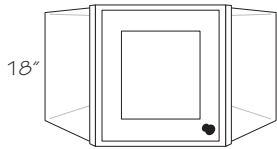
Specify BR or BL
PWBC24/2730 BR or BL

- Two adjustable shelves
- Three doors; one front, two back. Door hinged to frame center stile on blind side
- Do **not** pull cabinet more than 2 7/8" from corner
- Blind Panel with 3" filler included, shipped unattached
- Overlays (OL) available for all full overlay door styles except Fusion. Order separately

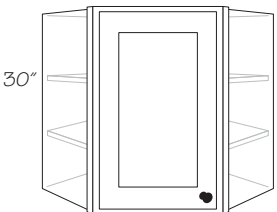
❖ SST 7	GD 10e
❖ SDT 7	PG 10e
● PST 7	MG 10e
● PDT 7	PM 10e
● ADT 7	PR 10e
09 10b	PP 10e
15 10b	MI 10i
18 10b	CFO 10g
21 10b	● CSO 10g
24 10b	

! Peninsula Wall Cabinets **must** be installed against a soffit, ceiling or supported by a countertop. See Cabinet installation guide for specific instructions

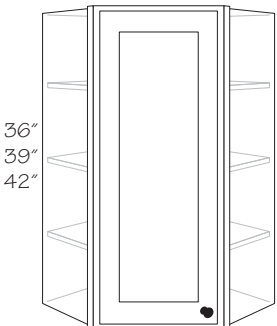
Wall Angle Single Door



WA2418-WA2718



WA2430-WA2730



WA2436 - WA2742

10a

10c

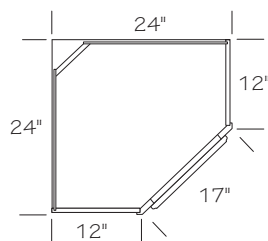
Specify R or L
 18" High
WA2418 R or L
WA2718 R or L
 30" High
WA2430 R or L
WA2730 R or L
 36" High
WA2436 R or L
WA2736 R or L
 39" High
WA2439 R or L
WA2739 R or L
 42" High
WA2442 R or L
WA2742 R or L

Grey color coding indicates new product, size or code.

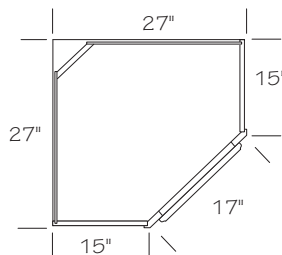
- 18" high cabinets have no shelves
- 30" high cabinets have two adjustable shelves
- 36" - 42" high cabinets have three adjustable shelves
- Back corner removed for easy installation
- Full and Traditional overlay door widths are similar to avoid interference with adjacent cabinet doors
- Adjacent cabinets can be installed directly without fillers

❖ SST 7	☆ GD 10e
❖ SDT 7	☆ PG 10e
● PST 7	☆ MG 10e
● PDT 7	☆ PM 10e
● ADT 7	☆ PR 10e
09 10b	☆ PP 10e
15 10b	☆ MI 10f
18 10b	● CFO 10g
21 10b	● CSO 10g
24 10b	

- ☆ Matching Interior (MI) option only available when a glass door (GD, MG, PR) or prepared for insert (PG, PM, PP) option is selected
- ☆ Glass door (GD, MG, PR) and prepared for insert (PG, PM, PP) options are available on select door styles. See Construction Options for specifics

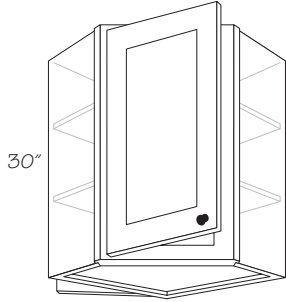


WA24__



WA27__

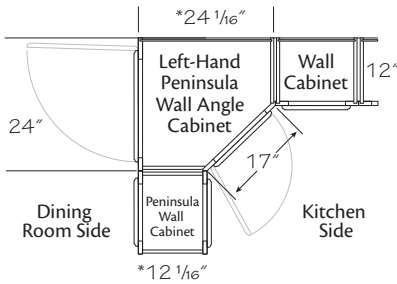
Peninsula Wall Angle



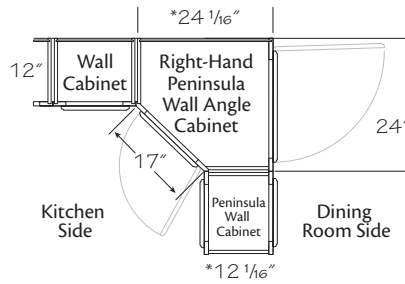
Left Hand shown

⑩a ⑩c

Specify R or L
PWA2430 R or L



Left Hand shown



Right Hand shown

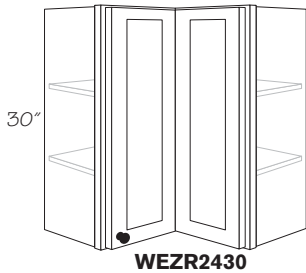
*Dimension excludes doors

- Two adjustable shelves
- R or L designates dining room side door hinging
- Stile on dining room frame is extra wide to clear window or door molding
- Full and Traditional overlay door widths are similar to avoid interference with adjacent cabinet doors
- Adjacent cabinets can be installed directly without fillers
- Requires 24 1/16" of wall space excluding dining room side cabinet door

❖ SST ⑦	GD ⑩e
❖ SDT ⑦	PG ⑩e
● PST ⑦	MG ⑩e
● PDT ⑦	PM ⑩e
● ADT ⑦	PR ⑩e
09 ⑩b	PP ⑩e
15 ⑩b	MI ⑩f
18 ⑩b	CFO ⑩g
21 ⑩b	● CSO ⑩g
24 ⑩b	

! Peninsula Wall Cabinets *must* be installed against a soffit, ceiling or supported by a countertop. See Cabinet installation guide for specific instructions

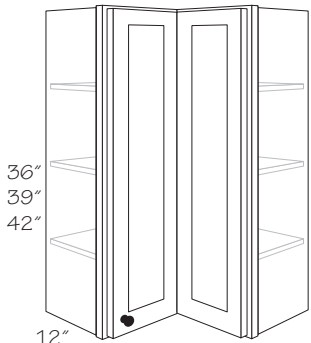
Wall Easy Reach



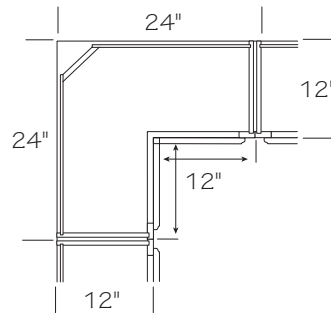
WEZR2430

⑩a ⑩c

Specify R or L
30" High
WEZR2430 R or L
36" High
WEZR2436 R or L
39" High
WEZR2439 R or L
42" High
WEZR2442 R or L



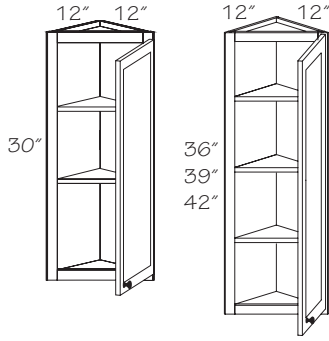
WEZR2436 - WEZR2442



- 30" high cabinets have two adjustable shelves
- 36" - 42" high cabinets have three adjustable shelves
- Two piece bi-fold door with independent adjustment
- 168° hinge opening
- SoftAction hinges *not* available
- Back corner removed for easy installation

❖ SST ⑦	GD ⑩e
❖ SDT ⑦	PG ⑩e
● PST ⑦	MG ⑩e
● PDT ⑦	PM ⑩e
● ADT ⑦	PR ⑩e
09 ⑩b	PP ⑩e
15 ⑩b	MI ⑩f
18 ⑩b	● CFO ⑩g
21 ⑩b	● CSO ⑩g
24 ⑩b	

Wall Corner Angle



WCA1230

WCA1236 - WCA1242

10a 10c

Specify R or L
 30" High

WCA1230 R or L

36" High

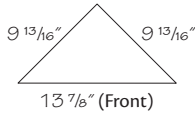
WCA1236 R or L

39" High

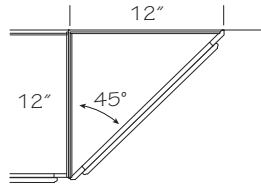
WCA1239 R or L

42" High

WCA1242 R or L



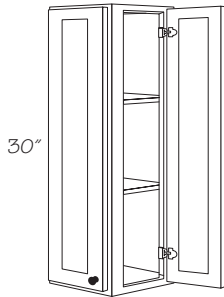
Plan View of Adjustable Shelf



- For use at end of cabinet run or in a corner
- 30" high cabinets have two adjustable shelves
- 36" - 42" high cabinets have three adjustable shelves
- ☆ Matching Interior (MI) option only available when a glass door (GD, MG, PR) or prepared for insert (PG, PM, PP) option is selected
- ☆ Glass door (GD, MG, PR) and prepared for insert (PG, PM, PP) options are available on select door styles. See Construction Options for specifics

❖ SST 7	☆ GD 10e
❖ SDT 7	☆ PG 10e
● PST 7	☆ MG 10e
● PDT 7	☆ PM 10e
● ADT 7	☆ PR 10e
09 10b	☆ PP 10e
15 10b	☆ MI 10f
18 10b	● CFO 10g
21 10b	● CSO 10g
24 10b	

Wall End Corner



WEC1230

10a

30" High

WEC1230

36" High

WEC1236

39" High

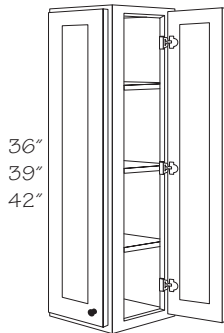
WEC1239

42" High

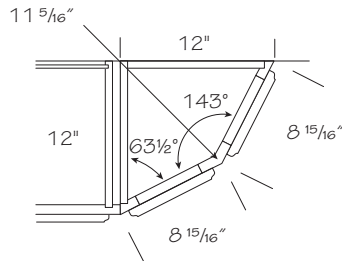
WEC1242

- 30" high cabinets have two adjustable shelves
- 36" - 42" high cabinets have three adjustable shelves
- Can be installed on either right or left end of run or in a corner
- Two doors

❖ SST 7	GD 10e
❖ SDT 7	PG 10e
● PST 7	MG 10e
● PDT 7	PM 10e
● ADT 7	PR 10e
09 10b	PP 10e
15 10b	MI 10f
18 10b	● CFO 10g
21 10b	● CSO 10g
24 10b	



WEC1236 - WEC1242



Wall Open Cabinets

Construction Options and Modifications

- ❖ Included as standard
- Available with an upcharge
- ☆ Available with exceptions

(Blank) **Not** available

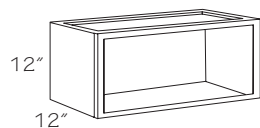
Caution: Bookcases are typically subjected to extreme weight. Additional support is required. Wall hung applications **must** be limited to 15 lbs. per square foot of shelf area; **not** to exceed 50 lbs. per shelf.

SST	Construction	-----	(7)
SDT	Construction	-----	(7)
PST	Construction	-----	(7)
PDT	Construction	-----	(7)
ADT	Construction	-----	(7)
09	Depth Modification	-----	(10b)
15	Depth Modification	-----	(10b)
18	Depth Modification	-----	(10b)
21	Depth Modification	-----	(10b)
24	Depth Modification	-----	(10b)

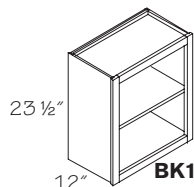
(10a)

BK1830

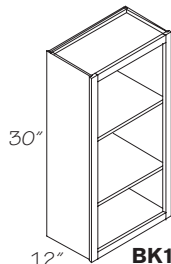
Bookcase Cabinets



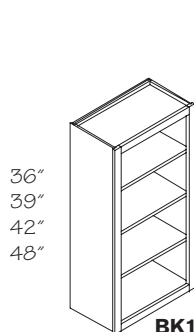
BK3012 - BK3612



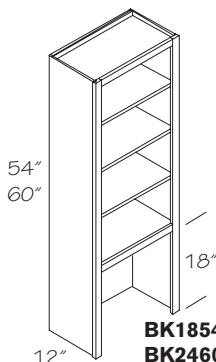
BK1524 - BK2424



BK1530 - BK2430



BK1536 - BK2448



BK1854 - BK2460

(10a)

12" High
BK3012
BK3612

23 1/2" High
BK1524
BK1824
BK2124
BK2424

30" High
BK1530
BK1830
BK2130
BK2430

36" High
BK1536
BK1836
BK2136
BK2436

(10a)

39" High
BK1539
BK1839
BK2139
BK2439

42" High
BK1542
BK1842
BK2142
BK2442

48" High
BK1848
BK2148
BK2448

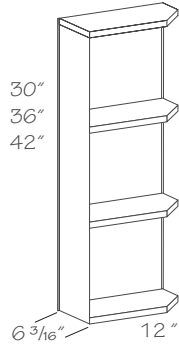
54" High
BK1854
BK2154
BK2454

60" High
BK1860
BK2160
BK2460

- 12" high bookcases have no shelves
- 23 1/2" high bookcases have one adjustable shelf
- 30" high bookcases have two adjustable shelves
- 36"- 48" high bookcases have three adjustable shelves
- 54" and 60" high bookcases have one fixed bottom shelf and three adjustable shelves
- 12" high bookcases **not** available in Hickory door styles
- 54" and 60" high bookcases are designed to mount on a countertop and **must** be secured to the wall
- Matching laminate interior
- White only available in Standard Construction (SST and SDT)
- Maple Accent Glaze shipped standard finish
- Vertical wood grain back panel; except for painted finishes and White
- Includes low profile clear polycarbonate shelf supports in addition to hold-down style supports used for shipping

❖ SST	(7)	● 09	(10b)
❖ SDT	(7)	● 15	(10b)
● PST	(7)	● 18	(10b)
● PDT	(7)	● 21	(10b)
● ADT	(7)	● 24	(10b)

Solid Wood Wall End Open Shelf

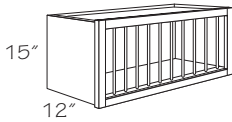


⑩a
SWEOS30
SWEOS36
SWEOS42

- Solid wood shelves and top
- 5/8" thick solid wood fixed shelves and top
- 30" high has three shelves with equal spacing of 9 1/8" high
- 36" high has four shelves with equal spacing of 8 3/16" high
- 42" high has four shelves with equal spacing of 9 11/16" high
- Invertible for right or left hand use
- 6 3/16" wide x 12" deep with 5 3/4" long 45 degree angle cut front corner on shelves
- Trimmable to 5 7/8" wide
- Back **not** finished
- Available in all finishes; Maple Accent Glaze shipped standard finish
- Painted shelves are solid hardwood with painted finish, glaze shipped standard finish
- End and back panels are 3/16" with veneered plywood finish on exposed surfaces
- One per carton

SST	⑦	09	⑩b
SDT	⑦	15	⑩b
PST	⑦	18	⑩b
PDT	⑦	21	⑩b
ADT	⑦	24	⑩b

Wall China Display

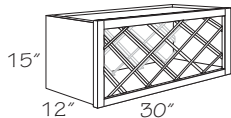


⑩a
WCD3015 13 Plates
WCD3615 16 Plates

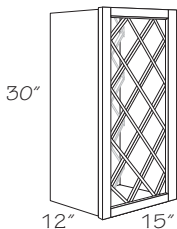
- Matching laminate interior
- Vertical wood grain back panel; except for painted finishes
- Plate spindles finished to match
- Plate racks with painted finishes are painted hardwood
- Plate spindles are **not** removable
- Each plate opening is 1 5/8" wide x 11 1/4" deep x 11 1/2" high

❖ SST	⑦	09	⑩b
❖ SDT	⑦	15	⑩b
● PST	⑦	18	⑩b
● PDT	⑦	21	⑩b
● ADT	⑦	24	⑩b

Wall Lattice



WL3015
(horizontal)



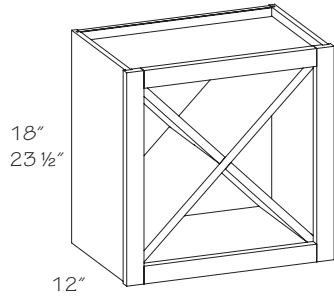
WL1530
(vertical)

⑩a
 15" High
WL3015 11 Bottles
 30" High
WL1530 11 Bottles

- Matching laminate interior
- Vertical wood grain back panel; except for painted finishes
- Lattices are finished to match
- Lattice in painted finishes are painted hardwood
- Lattices are **not** removable
- 4" x 4" bottle openings

❖ SST	⑦	09	⑩b
❖ SDT	⑦	15	⑩b
● PST	⑦	18	⑩b
● PDT	⑦	21	⑩b
● ADT	⑦	24	⑩b

New



Wine Storage Cabinet

⑩a

18" High

WSC1818 14 - 3 1/4" Diameter Bottles

23 1/2" High

WSC2424 30 - 3 1/4" Diameter Bottles*Grey color coding indicates new product, size or code.*

- Matching laminate interior
 - Cross member is finished veneer to match cabinet exterior
 - Chiffon, Cotton, Shale and White cross member is painted Maple veneer
 - Vertical wood grain back panel; except Chiffon, Cotton, Shale, and White
 - Cross member **cannot** be removed
 - Components other than the frame are constructed of plywood
 - Requires additional support. Installation between two cabinets or cabinet and wall recommended.
 - ☆ Regardless of construction option, model is constructed the same
- | | | | |
|-------|---|----|----|
| ☆ SST | ⑦ | 09 | ⑩b |
| ☆ SDT | ⑦ | 15 | ⑩b |
| ☆ PST | ⑦ | 18 | ⑩b |
| ☆ PDT | ⑦ | 21 | ⑩b |
| ☆ ADT | ⑦ | 24 | ⑩b |

Wall Appliance Cabinets

Construction Options and Modifications

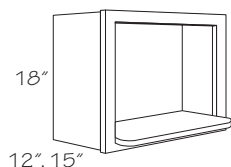
- ❖ Included as standard
- Available with an upcharge
- ☆ Available with exceptions

(Blank) **Not** available

(10a)

WMS271812

SST	Construction	-----	(7)
SDT	Construction	-----	(7)
PST	Construction	-----	(7)
PDT	Construction	-----	(7)
ADT	Construction	-----	(7)
21	Depth Modification	-----	(10b)
24	Depth Modification	-----	(10b)
CFO	Cabinet Front Only	-----	(10g)
CSO	Case Only	-----	(10g)



Wall Microwave Shelf

(10a)

12" Deep
WMS271812
WMS301812

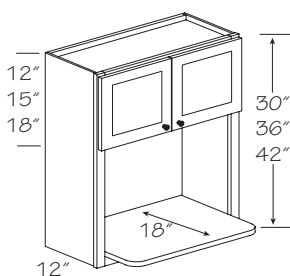
15" Deep
WMS271815
WMS301815

- 3/4" thick shelf extends 3 25/32" beyond face frame of cabinet
- Shelf shipped unattached for easier installation; mounting hardware included
- Vertical wood grain back panel; except for painted finishes
- Designed for countertop style microwaves
- Available in all finishes; Maple Accent Glaze shipped standard finish
- Painted glazes are shipped as standard finish
- One per carton
- Matching laminate interior
- **Note: Must** be installed between two cabinets or between cabinet and side wall

- ❖ SST (7)
- ❖ SDT (7)
- PST (7)
- PDT (7)
- ADT (7)
- 21 (10b)
- 24 (10b)
- CFO (10g)
- CSO (10g)

Cabinet	Opening Sizes
WMS271812	24" wide x 14 1/4" high x 15" deep (shelf)
WMS301812	27" wide x 14 1/4" high x 15" deep (shelf)
WMS271815	24" wide x 14 1/4" high x 18" deep (shelf)
WMS301815	27" wide x 14 1/4" high x 18" deep (shelf)

Wall Microwave Shelf Cabinet



(10a)

24" Wide
WMSC2436B
27" Wide
WMSC2730B
WMSC2736B
WMSC2742B

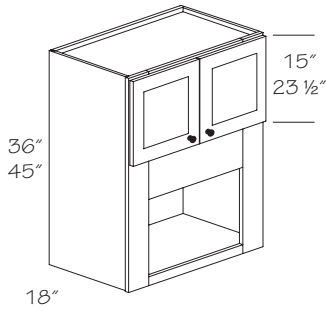
- 3/4" thick shelf extends 6 25/32" beyond face frame
- No shelf in upper section
- Shelf shipped unattached for easier installation; mounting hardware included
- Cabinets have BUTT doors without a center stile
- Designed for countertop style microwaves
- Matching laminate interior

- ❖ SST (7)
- ❖ SDT (7)
- PST (7)
- PDT (7)
- ADT (7)
- 21 (10b)
- 24 (10b)
- CFO (10g)
- CSO (10g)

Caution: WMSC cabinets require additional support. The cabinet should be screwed on both sides to adjacent cabinets, wall, soffit or ceiling joist

Cabinet	Opening Sizes
WMSC2436B	21" wide x 18 3/4" high x 18" deep (shelf)
WMSC2730B	24" wide x 15 3/4" high x 18" deep (shelf)
WMSC2736B	24" wide x 18 3/4" high x 18" deep (shelf)
WMSC2742B	24" wide x 21 3/4" high x 18" deep (shelf)

Wall Microwave Cabinet



⑩a

18" Deep
WMC2736B
WMC3036B
WMC2745B
WMC3045B

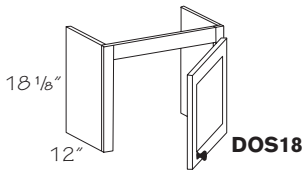
- No shelf in upper section
- Cabinets have BUTT doors without a center stile
- Matching laminate interior
- 4 1/2" wide trimmable face frame stiles
- Doors are attached with face-mounted concealed hinges

Caution: WMC cabinets require additional support. The cabinet should be screwed on both sides to adjacent cabinets, wall, soffit or ceiling joist

- ❖ SST ⑦
- ❖ SDT ⑦
- PST ⑦
- PDT ⑦
- ADT ⑦
- 21 ⑩b
- 24 ⑩b
- CFO ⑩g
- CSO ⑩g

Cabinet	Opening Size	Trimable to
WMC2736B	18" wide x 13" high	24" wide x 19 1/2" high
WMC3036B	21" wide x 13" high	27" wide x 19 1/2" high
WMC2745B	18" wide x 13 1/2" high	24" wide x 20" high
WMC3045B	21" wide x 13 1/2" high	27" wide x 20" high

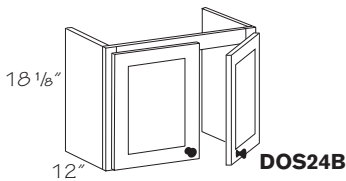
Door Storage Unit



⑩a

⑩c

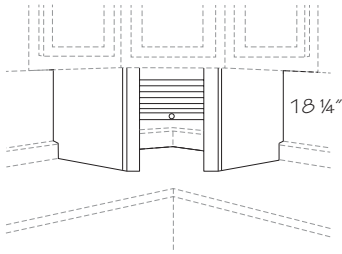
DOS18 R or L
DOS24B



- Provides countertop out-of-sight storage for small appliances
- Designed to be flush mounted with 12" deep wall cabinets
- "No back" design allows easy access to electrical outlets and notching for backsplash
- Cabinets with a "B" suffix have BUTT doors without a center stile
- Frame and end panels oversized for custom fit
- Top rail is 2 1/2" high
- End panels are shipped unattached
- Available in all finishes
- Available with square doors only
- Interior surface of end panels are matching laminate for Standard Construction (SST and SDT). Interior surface of end panels are matching veneer for Standard Construction with Plywood Ends (PST, PDT) and All Plywood Construction (ADT)

- ❖ SST ⑦
- ❖ SDT ⑦
- PST ⑦
- PDT ⑦
- ADT ⑦
- 21 ⑩b
- 24 ⑩b
- CFO ⑩g
- CSO ⑩g

Appliance Garage Tambour Diagonal

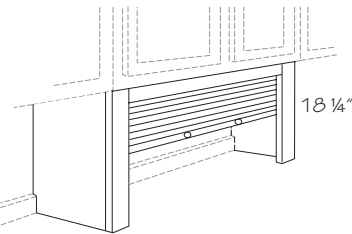


10a
 AGTD24
 AGTD27

- Provides countertop out-of-sight storage for small appliances
- Designed to set back 1/4" from wall angle cabinet frame for easier installation
- AGTD24 for use under Wall Angle (WA24); AGTD27 for use under Wall Angle (WA27)
- Features a torsion spring activated roll-up tambour door
- "No back" design allows easy access to electrical outlets and notching for backsplash
- Bottom edges may be trimmed a maximum of 1" before interfering with tambour track stop
- End panels are 1/2" thick and have matching exterior surface. End panels shipped unattached
- Interior surface is maple natural laminate except for White and glazed finishes. White has white laminate surface and glazed finishes have matching wood veneer
- Hole for knob is pre-drilled and one antique brass knob included
- Installation instructions and mounting hardware included
- Available in all finishes; Maple Accent Glaze shipped standard finish
- One per carton
- **Installation Note:** Requires field fabricated back on one side when used with PWA
- ☆ Regardless of construction option, model is constructed the same

- ☆ SST (7)
- ☆ SDT (7)
- ☆ PST (7)
- ☆ PDT (7)
- ☆ ADT (7)
- 21 (10b)
- 24 (10b)
- CFO (10g)
- CSO (10g)

Appliance Garage Tambour Straight



10a
 AGTS18
 AGTS24
 AGTS30

- Provides countertop out-of-sight storage for small appliances
- Designed to set back 1/4" from wall cabinet frame for easier installation
- Fits under 18", 24" and 30" wide wall cabinets
- Features a torsion spring activated roll-up tambour door
- "No back" design allows easy access to electrical outlets and notching for backsplash
- Bottom edges may be trimmed a maximum of 1" before interfering with tambour track stop. Width **cannot** be trimmed
- End panels are 1/2" thick and have matching exterior surface. End panels shipped unattached
- Interior surface is maple natural laminate except for White and glazed finishes. White has white laminate surface and glazed finishes have matching wood veneer
- Holes for knobs are pre-drilled. One antique brass knob is included with AGTS18 and AGTS24; two with AGTS30
- Installation instructions and mounting hardware included
- Available in all finishes; Maple Accent Glaze shipped standard finish
- One per carton
- ☆ Regardless of construction option, model is constructed the same

- ☆ SST (7)
- ☆ SDT (7)
- ☆ PST (7)
- ☆ PDT (7)
- ☆ ADT (7)
- 21 (10b)
- 24 (10b)
- CFO (10g)
- CSO (10g)

Wall Hoods

Construction Options and Modifications

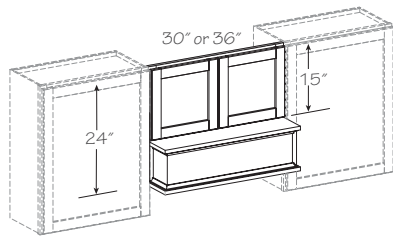
Important Note: Mount hood a minimum of 24" above range cooking surface. Consult building codes prior to installation. Hood **must** be securely anchored to wall.

(10a)

WHL36

New

Matching Mantle Hood Front



(10a)

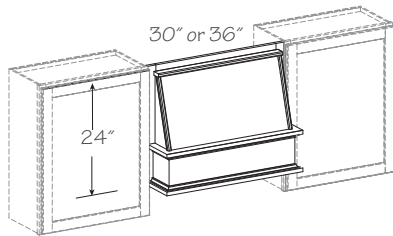
MMHF3024
MMHF3024B
MMHF3624
MMHF3624B

Grey color coding indicates new product, size or code.

- Solid wood/wood veneer construction
- Doors open to facilitate duct installation and wiring
- Cabinets with a "B" suffix have BUTT doors with center stile
- Hood extends 6 1/2" from face frame of adjacent wall cabinets, 18 1/2" from wall
- Mounts between two 27" high or higher wall cabinets
- Almond colored painted metal liner included
- For installations with exterior ductwork
- Range Hood Blower (RHB) required; ordered separately
- Available in all door style and finishes; Maple Accent Glaze is available in square door styles only
- Available in all painted finishes, which are painted hardwood

New

Range Hood Front



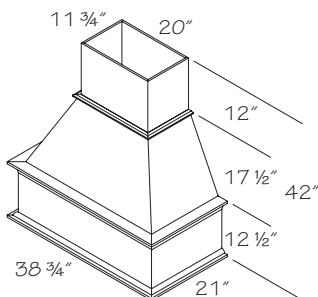
(10a)

RHF3024
RHF3624

Grey color coding indicates new product, size or code.

- Solid wood/wood veneer construction
- Hood extends 6 1/2" from face frame of adjacent wall cabinets, 18 1/2" from wall
- Mounts between two 27" high or higher wall cabinets
- Almond colored painted metal liner included
- For installations with exterior ductwork
- Range Hood Blower (RHB) required; ordered separately
- Available in all finishes; Maple Accent Glaze shipped standard finish
- Available in all painted finishes, which are painted hardwood
- Textured Laminate (TL) will be stained or painted hardwood

Wall Hood Classic Chimney Plain

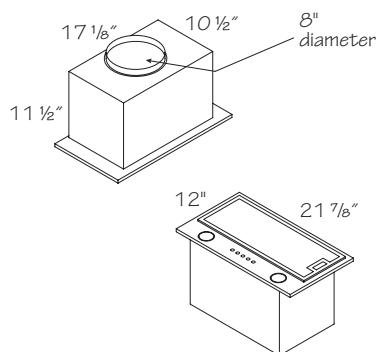


(10a)

WHCC362442P

- Solid wood/wood veneer construction
- For installations with exterior ductwork
- A 3" space is recommended on both sides of hood for adjacent cabinet runs
- Can accommodate ceilings up to 9' high with installation of the chimney or 8' without the chimney
- **Not** designed to be used with a soffit
- 12" tall chimney is shipped unattached for easier installation
- Requires a metal liner and blower. See Wall Hood Liner (WHL36) and Wall Hood Blower (WHB36-620)
- Available in all finishes; Maple Accent Glaze shipped standard finish
- Available in all painted finishes, which are painted hardwood
- Textured Laminate (TL) will be stained or painted hardwood
- **Not** available in Hickory door styles
- **Note:** Cabinetry and appliances located below these Wall Hoods **must** be pulled to a minimum of 27" deep and a maximum of 30" deep for improved function

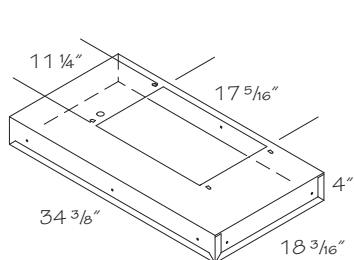
Wall Hood Blower



10a
WHB36-620

- AC 120 volt required
- 620 CFM/7.5 Sones; three-speed motor with push button electronic control
- Constructed of heavy gauge steel
- Pre-wired for electrical connection
- 8" diameter duct vents on top
- Dual bulb halogen lighting (PAR 20) included
- UL and HVI approved
- For installations with exterior ductwork
- For use with Wall Hood Classic Chimney Plain (WHCC362442P)
- For use with Wall Hood Liner (WHL36)
- Metallic medium grey painted finish on cover plate is corrosion and rust resistant. Blowerbox has galvanized finish
- One per carton

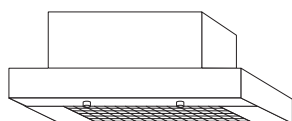
Wall Hood Liner



10a
WHL36

- Constructed of heavy gauge steel
- For installations with exterior ductwork
- For use with Wall Hood Classic Chimney Plain (WHCC362442P)
- For use with Wall Hood Blower - 36" (WHB36-620)
- Metallic medium grey painted finish
- One per carton

Range Hood Blower and Light Unit



10a
RHB

- AC 120 volt required
- Double squirrel cage blower unit (360 CFM maximum) with a solid state, variable speed control, on/off switch, and two 40 watt tubular light fixtures with lens diffuser and dimming switch. Tubular bulbs **not** included
- 3 1/4" x 10" top exhaust with built-in back draft damper unit; duct **not** included
- Pre-wired for electrical connection
- Charcoal filter laminated within replaceable grease filter
- Washable aluminum mesh grease filter included
- UL and CSA approved
- For installations with exterior ductwork
- Almond colored painted finish
- One per carton

Wall Accessories

Construction Options and Modifications

- ❖ Included as standard
- Available with an upcharge
- ☆ Available with exceptions

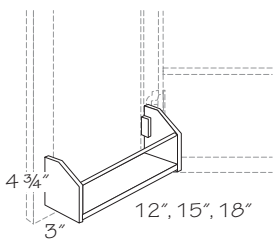
(Blank) **Not** available

(10a)

MWEP1230

CH	Cherry	-----	(2)
HK	Hickory	-----	(2)
MP	Maple	-----	(2)
RO	Red Oak	-----	(2)
TH	Thermofoil	-----	(2)
TL	Textured Laminate	-----	(2)

Door Spice Rack



(10a)

8" wide x 3" deep x 4 3/4" high

DSR12
DSR12-2

11" wide x 3" deep x 4 3/4" high

DSR15
DSR15-2

14" wide x 3" deep x 4 3/4" high

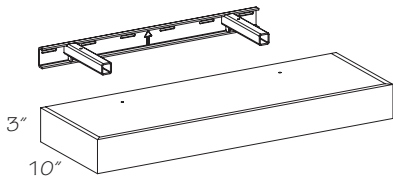
DSR18
DSR18-2

- Solid wood rack with natural finish
- Installs on backside of cabinet door
- Installation instructions and mounting hardware included
- For Fox Harbor, LaBelle, Somerton Hill and Whitebay II door styles, the rack installs onto the backside of the door center panel. DSR12 installs on 15" and 30" wide cabinets. DSR15 installs on 18" and 36" wide cabinets. DSR18 installs on 21" and 42" wide cabinets
- For use on all Fusion doors with adequate frame opening
- **Not** for use on Avenue, Bayville, Bellingham, or Portrait door styles
- **Not** for use on any 24" or 27" BUTT door cabinets, except Fusion
- Dimensions: 3" deep x 4 3/4" high. DSR12 is 8" wide, DSR15 is 11" wide and DSR18 is 14" wide
- Offered individually or two per carton

❖	CH	(2)
❖	HK	(2)
❖	MP	(2)
❖	RO	(2)
❖	TH	(2)
❖	TL	(2)

New

Floating Shelves



(10a)

10" Deep

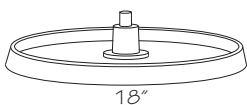
FLS24
FLS30
FLS36
FLS42

Grey color coding indicates new product, size or code.

- Solid wood/wood veneer construction hollow shelf
- Available in all finishes; Maple Accent Glaze shipped standard finish
- Painted or Stained wood/wood veneer supplied for Laminate door styles
- Includes black finished one-piece mounting rail with support arms
- Rail is slotted every 4" to allow for horizontal adjustment
- Includes installation instructions
- 50 lb. capacity
- **Not** trimmable
- ☆ Hickory finishes use Red Oak in place of Hickory

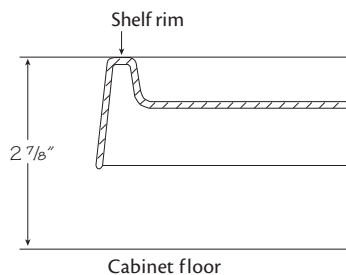
❖	CH	(2)
❖	HK	(2)
❖	MP	(2)
❖	RO	(2)
❖	TH	(2)
❖	TL	(2)

Lazy Susan Revolving Shelf Kit (One Shelf)



(10a)

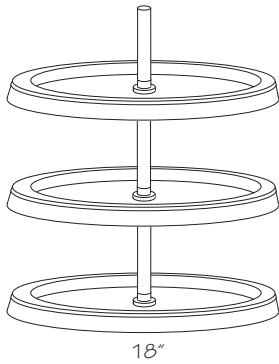
LS1



- One 18" diameter wide impact white plastic shelf
- Distance from top of shelf rim to top of cabinet surface is 2 7/8"
- Attaches to cabinet shelf or bottom, 1 1/2" clearance gap between bottom of shelf and cabinet floor
- Installation instructions and mounting hardware included
- Fits 30", 36", 39" and 42" high Wall Angle (WA) and Peninsula Wall Angle (PWA) cabinets
- One per carton

❖	CH	(2)
❖	HK	(2)
❖	MP	(2)
❖	RO	(2)
❖	TH	(2)
❖	TL	(2)

Lazy Susan Revolving Shelf Kit (Three Shelves)

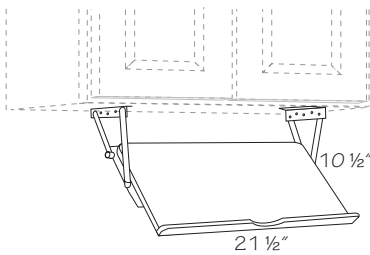


⑩a
LS3

- Three 18" diameter wide impact white plastic shelves that rotate together
- Fits 24" wide Wall Angle (WA) and Peninsula Wall Angle (PWA) cabinets
- Replaces adjustable shelves shipped with cabinet
- Includes center post and installation hardware
- Adjust 22" to 33" in height
- One set of three shelves per carton

- CH ②
- HK ②
- MP ②
- RO ②
- TH ②
- TL ②

Cookbook Rack Pull-Down



⑩a
CRPD

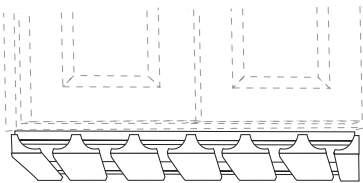
- Clear shelf with nickel hardware
- Holds cookbooks for easier access
- Tray extends down 10 1/2" when in open position
- Holds up to four lbs.
- Can be folded under cabinet when *not* in use
- Folded size is 21 1/2" wide x 10" deep x 2 3/4" high
- For use under 24" wide or wider wall cabinet
- Installation instructions and mounting hardware included
- One per carton

- CH ②
- HK ②
- MP ②
- RO ②
- TH ②
- TL ②



Can also be used to hold a tablet when viewing recipes electronically

Stem Glass Holder

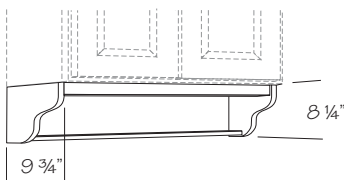


⑩a
SGH30
SGH30-10
SGH36
SGH36-10

- Solid wood
- SGH30 - six 11 5/8" long x 1 1/8" wide slots
- SGH36 - eight 11 5/8" long x 1 1/8" wide slots
- Fits under standard 12" deep wall cabinet
- Rack may be cut down for narrower cabinet application
- Installation instructions and mounting hardware included
- Available in all finishes; Maple Accent Glaze shipped standard finish
- Available in all painted finishes, which are painted hardwood
- Painted or Stained wood supplied for Laminate door styles
- Offered individually or ten per carton

- ❖ CH ②
- ❖ HK ②
- ❖ MP ②
- ❖ RO ②
- ❖ TH ②
- ❖ TL ②

Under Cabinet Shelf

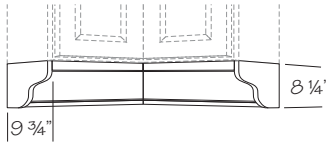


⑩a
UCS36

- Solid wood ends and wood veneered shelves
- 4 3/4" deep shelves with groove for displaying plates up to 6 1/8" diameter
- For use under 36" wide wall cabinets
- Back and top panels included for strength and ease of installation
- Ends can be removed so that the assembly can be cut down in 3" increments to only 12" wide for narrower cabinet applications
- Shipped assembled
- Available in all finishes; Maple Accent Glaze shipped standard finish
- Available in all painted finishes, which are painted hardwood
- Painted or Stained wood/wood veneer supplied for Laminate door styles
- One per carton

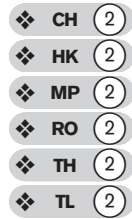
- ❖ CH ②
- ❖ HK ②
- ❖ MP ②
- ❖ RO ②
- ❖ TH ②
- ❖ TL ②

Under Cabinet Corner Shelf

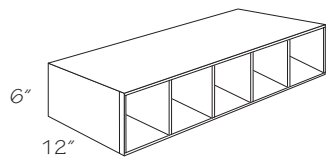


⑩a
UCSC2424

- Solid wood ends and wood veneered shelves
- 4 3/4" deep shelves with groove for displaying plates up to 6 1/8" diameter
- Fits under WA24 and WEZR24
- Extends 24" from corner in both directions
- Back and top panels included for strength and ease of installation
- Shipped assembled
- Available in all finishes; Maple Accent Glaze shipped standard finish
- Available in all painted finishes, which are painted hardwood
- Painted or Stained wood/wood veneer supplied for Laminate door styles
- One per carton



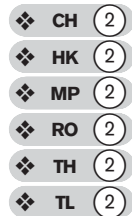
Open Cube Organizer



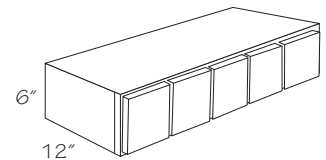
OCO30 shown

⑩a
OCO18 3 compartments
OCO24 4 compartments
OCO30 5 compartments
OCO36 6 compartments

- 5 1/4" x 5 1/4" square compartments
- Units may be stacked horizontally or mounted vertically
- Matching wood veneer interior and exterior surfaces
- Includes a matching solid wood strip at each end to align with cabinet when installed horizontally
- Use a Wall End Panel (WEP) on exposed sides to cover end panel joints between wall cabinet and organizer
- Available in all finishes; Maple Accent Glaze shipped standard finish
- Available in all painted finishes, which are painted hardwood
- Painted or Stained wood/wood veneer supplied for Laminate door styles
- One per carton



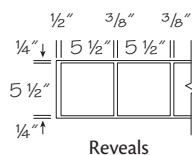
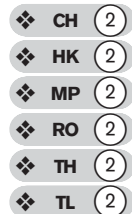
Spice Drawer Organizer



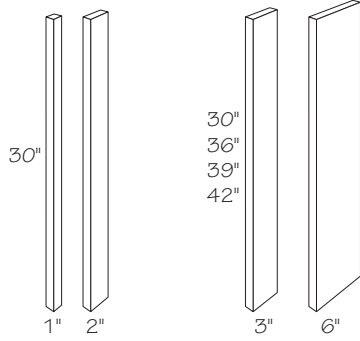
SDO30 shown

⑩a
SDO18 3 drawers
SDO24 4 drawers
SDO30 5 drawers
SDO36 6 drawers

- Solid half blind, 1/2" thick, dovetail drawers. Finished with durable topcoat. Interior dimensions: 4 1/8" wide x 10" front to back x 4 7/16" deep
- 5 1/2" x 5 1/2" x 3/4" thick drawer fronts with rounded front edges. No ogee profile
- White drawer fronts are vinyl laminated MDF
- Textured Laminate (TL) drawer fronts will be stained or painted solid wood
- Moisture and stain resistant, easy clean laminate on interior drawer bottom printed to match sides, front and back
- Matching wood veneer interior and exterior surfaces
- Includes a matching solid wood strip at each end to align with cabinet when installed horizontally
- Units may be stacked horizontally or mounted vertically
- Use a Wall End Panel (WEP) on exposed sides to cover end panel joints between wall cabinet and organizer
- Decorative hardware is optional
- Available in all finishes; Maple Accent Glaze shipped standard finish
- Available in all painted finishes, which are painted hardwood
- Painted or Stained wood/wood veneer supplied for Laminate door styles
- One per carton



Wall Filler



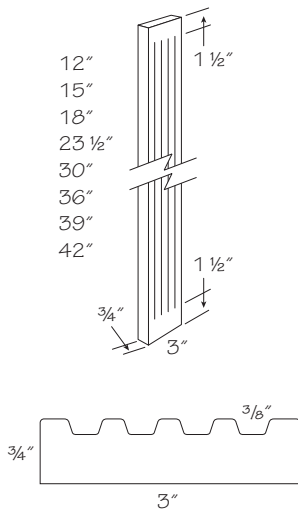
⑩a

- 1" Wide
- WF1-30**
- WF1-30-20**
- 2" Wide
- WF2-30**
- WF2-30-10**
- 3" Wide
- WF3-30**
- WF3-30-4**
- WF3-36**
- WF3-39**
- WF3-39-4**
- WF3-42**
- WF3-42-4**
- 6" Wide
- WF6-30**
- WF6-36**
- WF6-39**
- WF6-42**

- 3/4" thick solid wood
- Backside of filler **not** finished
- Available in all finishes; Maple Accent Glaze shipped standard finish
- Available in all painted finishes, which are painted hardwood
- Overlays (OL) available for all full overlay door styles except Fusion. Order separately
- Textured Laminate (TL) will be stained or painted hardwood
- Offered individually; select models offered in quantities of 4, 10 and 20

- ❖ CH ②
- ❖ HK ②
- ❖ MP ②
- ❖ RO ②
- ❖ TH ②
- ❖ TL ②

Wall Fluted Filler



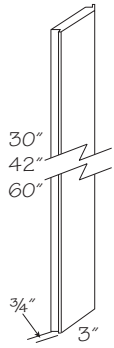
⑩a

- WFF3-12**
- WFF3-15**
- WFF3-18**
- WFF3-24**
- WFF3-30**
- WFF3-36**
- WFF3-39**
- WFF3-42**

- Use between cabinets or to create a column effect. Can be combined with other moldings and panels for decorative effects
- Four flutes
- Backside of filler **not** finished
- Available in all finishes; Maple Accent Glaze shipped standard finish
- Available in all painted finishes, which are painted hardwood
- Textured Laminate (TL) will be stained or painted hardwood
- One per carton

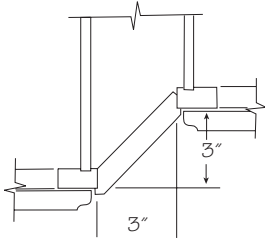
- ❖ CH ②
- ❖ HK ②
- ❖ MP ②
- ❖ RO ②
- ❖ TH ②
- ❖ TL ②

Filler Angle



⑩a

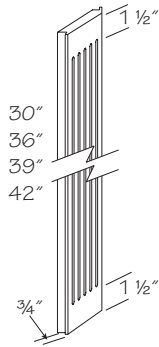
FA3-30
FA3-42
FA3-60



- Fills 3" space between cabinets that are offset 3"
- 3/4" thick solid wood
- For right or left hand use
- Backside of filler **not** finished
- Available in all finishes; Maple Accent Glaze shipped standard finish
- Available in all painted finishes, which are painted hardwood
- Textured Laminate (TL) will be stained or painted hardwood
- One per carton

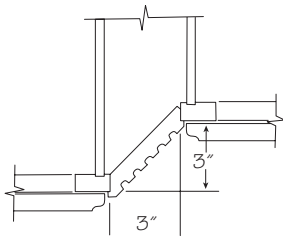
- ❖ CH ②
- ❖ HK ②
- ❖ MP ②
- ❖ RO ②
- ❖ TH ②
- ❖ TL ②

Fluted Filler Angle



⑩a

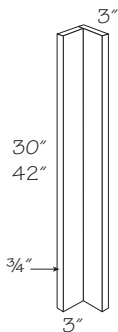
FFA3-30
FFA3-36
FFA3-39
FFA3-42



- Fills 3" space between cabinets that are offset 3"
- Five flutes
- 3/4" thick solid wood
- For right or left hand use
- Backside of filler **not** finished
- Available in all painted finishes, which are painted hardwood
- Available in all finishes; Maple Accent Glaze shipped standard finish
- Textured Laminate (TL) will be stained or painted hardwood
- One per carton

- ❖ CH ②
- ❖ HK ②
- ❖ MP ②
- ❖ RO ②
- ❖ TH ②
- ❖ TL ②

Wall Filler Corner



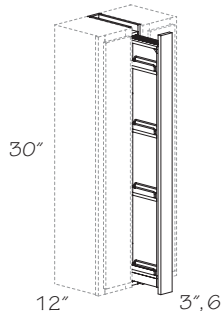
⑩a

WFC3-30
WFC3-42

- 3" on each face
- 3/4" thick solid wood
- Available in all finishes; Maple Accent Glaze shipped standard finish
- Available in all painted finishes, which are painted hardwood
- Textured Laminate (TL) will be stained or painted hardwood
- Backside of filler **not** finished
- One per carton

- ❖ CH ②
- ❖ HK ②
- ❖ MP ②
- ❖ RO ②
- ❖ TH ②
- ❖ TL ②

Wall Pull-Out Filler

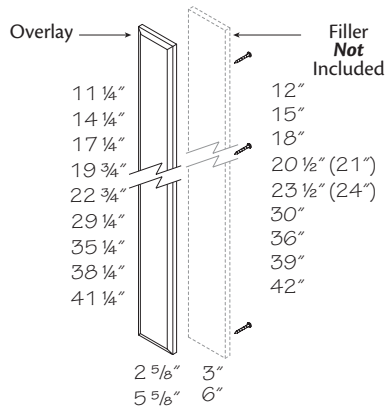


10a
WFP3-30
WFP6-30

- Three adjustable natural finished hardwood shelves
- 3/4" thick solid wood pre-drilled filler included, shipped unattached
- Wood filler aligns with face frames of adjacent wall cabinets
- Natural finish hardwood interior
- Unit slides on full extension runners; one on the top and two at the bottom
- **Must** be installed between two cabinets that are at least 30" high and 12" deep
- Overlays (OL) available for all full overlay door styles except Fusion. Order separately
- Available in all finishes; Maple Accent Glaze shipped standard finish
- Available in all painted finishes, which are painted hardwood
- Textured Laminate (TL) will be stained or painted hardwood
- WFP3-30:
 3" wide pull-out
 2 3/4" shelf width
 1 3/4" usable space between chrome rails
 3 1/16" required between adjacent cabinets
- WFP6-30:
 6" wide pull-out
 5 3/4" shelf width
 4 3/4" usable space between chrome rails
 6 1/16" required between adjacent cabinets

- ❖ CH (2)
- ❖ HK (2)
- ❖ MP (2)
- ❖ RO (2)
- ❖ TH (2)
- ❖ TL (2)

Filler Overlay

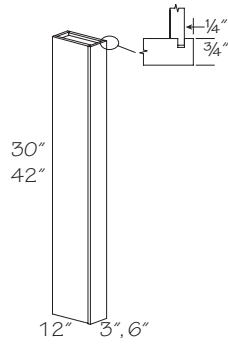


10a
 3" Wide
OL3-12
OL3-15
OL3-18
OL3-21
OL3-24
OL3-30
OL3-36
OL3-39
OL3-42
 6" Wide
OL6-21
OL6-24
OL6-30
OL6-36
OL6-39
OL6-42

- Attaches to 3" or 6" wide filler, **not** included. Order separately
- 3/4" thick with matching profile on all four edges, sized to match door height of adjacent cabinet
- Spacers installed on backside to align with doors of adjacent cabinet
- Mounting hardware included
- Available for all Full Overlay door styles, except Fusion
- Specify door style, specie and finish
- One per carton

- ❖ CH (2)
- ❖ HK (2)
- ❖ MP (2)
- ❖ RO (2)
- ❖ TH (2)
- ❖ TL (2)

Wall Box



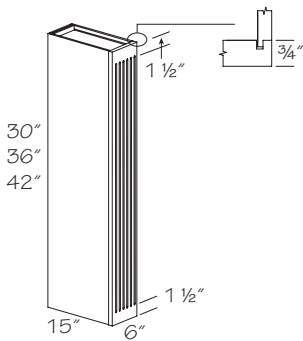
⑩a

3" Wide
WB3-1230
WB3-1242
 6" Wide
WB6-1230
WB6-1242

- Front is 3/4" thick solid wood
- Finished front and sides
- End panels recessed 1/4"
- Vertical wood grain
- May be used on either right or left end
- Available in all finishes; Maple Accent Glaze shipped standard finish
- Painted glazes are shipped as standard finish
- Available in all painted finishes, which are painted hardwood
- Textured Laminate (TL) will be stained or painted hardwood
- All finishes available on Standard Construction (SST, SDT)
- Chiffon, Cotton, Shale and White available on laminate end panels (SST, SDT)
- **Not** available with All Plywood Construction (ADT)
- One per carton

- ❖ CH ②
- ❖ HK ②
- ❖ MP ②
- ❖ RO ②
- ❖ TH ②
- ❖ TL ②

Wall Column Fluted



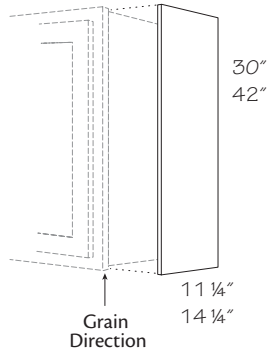
⑩a

WCF6-1530
WCF6-1536
WCF6-1542

- Fluted front is 3/4" solid wood
- Six flutes
- Finished front and sides
- Flush end panels
- Vertical wood grain
- May be used on either right or left end
- Available in all finishes; Maple Accent Glaze shipped standard finish
- Painted glazes are shipped as standard finish
- Available in all painted finishes, which are painted hardwood
- Textured Laminate (TL) will be stained or painted hardwood
- All finishes orderable on Standard Construction (SST, SDT); stain will ship as Plywood Ends (PST, PDT)
- Chiffon, Cotton, Shale and White available on laminate end panels (SST, SDT)
- **Not** available with All Plywood Construction (ADT)
- One per carton

- ❖ CH ②
- ❖ HK ②
- ❖ MP ②
- ❖ RO ②
- ❖ TH ②
- ❖ TL ②

Wall End Panel



- 10a
- 11 1/4" Wide Veneer
- WEP30
 - WEP30-6
 - WEP42
 - WEP42-6
- 14 1/4" Wide Veneer
- WEP1530
 - WEP1530-6
 - WEP1542
 - WEP1542-6
- 11 1/4" Wide Textured Laminate
- ▲ WEP30-TL
 - ▲ WEP30-TL-6
 - ▲ WEP42-TL
 - ▲ WEP42-TL-6

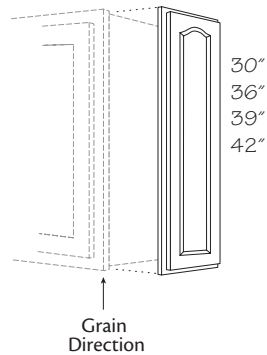
- Used to trim exposed end of wall cabinet
- For right or left hand use
- Finished one side only
- 42" panels trimmable for 36" and 39" wall cabinets
- Offered individually or six per carton

- ❖ CH (2)
- ❖ HK (2)
- ❖ MP (2)
- ❖ RO (2)
- ❖ TH (2)
- ❖ TL (2)

- 5/32" thick veneered plywood panel, except White; Whisper, and Cavern; grain runs lengthwise; 3/16" thick laminate panel for White; Available in all finishes; Maple Accent Glaze shipped standard finish; Available in all painted finishes, which are painted veneer; Available in specie TL; when ordered, model will match frame finish
- ▲ 3/16" thick Textured Laminate (TL) panel, finished on one side; grain runs lengthwise; Available in specie TL only; when ordered, model will match door and drawer front laminate

Grey color coding indicates new product, size or code.

Matching Wall End Panel



- 10a
- 11 1/4" wide
- MWEP1230
 - MWEP1236
 - MWEP1239
 - MWEP1242

- Provides a finished furniture look to 12" deep wall cabinet ends
- For right or left hand use
- 3/16" thick white laminate panel for Arbor Falls II and Whitebay II
- 5/32" thick veneered plywood panel, except Arbor Falls II and Whitebay II
- Available in all door styles and finishes including arch shape; except Maple Accent Glaze which is available in square shape only
- Full overlay door styles; door shipped attached to panel except arch doors which are shipped unattached
- Traditional overlay door styles; door shipped attached to panel including arch doors
- One per carton

- ❖ CH (2)
- ❖ HK (2)
- ❖ MP (2)
- ❖ RO (2)
- ❖ TH (2)
- ❖ TL (2)

Item	Panel Size		Full Overlay Door		Traditional Overlay Door	
	Width	Length	Width	Length	Width	Length
MWEP1230	11 1/4"	30"	11 5/8"	29 1/4"	10 1/4"	28"
MWEP1236	11 1/4"	36"	11 5/8"	35 1/4"	10 1/4"	34"
MWEP1239	11 1/4"	39"	11 5/8"	38 1/4"	10 1/4"	37"
MWEP1242	11 1/4"	42"	11 5/8"	41 1/4"	10 1/4"	40"

Notes

Base Cabinets

Construction Options and Modifications

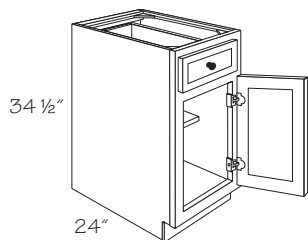
- ❖ Included as standard
- Available with an upcharge
- ☆ Available with exceptions

(Blank) **Not** available

SST	Construction	-----	⑦	FDS	Full Depth Shelf	-----	⑩c
SDT	Construction	-----	⑦	WT	Wood Trays	-----	⑩c
PST	Construction	-----	⑦	ST	Standard Trays	-----	⑩c
PDT	Construction	-----	⑦	WF	Wood Full-Width Trays	-----	⑩c
ADT	Construction	-----	⑦	FT	Standard Full-Width Trays	---	⑩c
12	Depth Modification	-----	⑩b	DT	Deluxe Trays	-----	⑩c
15	Depth Modification	-----	⑩b	DF	Deluxe Full-Width Trays	---	⑩c
18	Depth Modification	-----	⑩b	CFO	Cabinet Front Only	-----	⑩g
21	Depth Modification	-----	⑩b	CSO	Case Only	-----	⑩g
HDS	Half Depth Shelf	-----	⑩d				



Base Single Door



HDS option shown



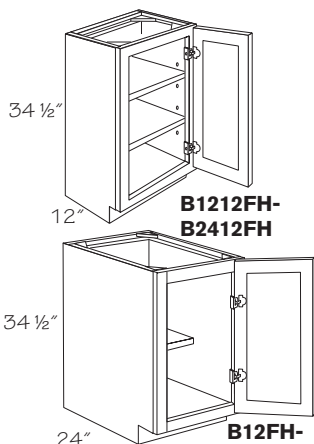
Specify R or L

B12	R or L	HDS
B15	R or L	HDS
B18	R or L	HDS
B21	R or L	HDS
B24	R or L	HDS

- Standard height top drawer
- Back panel is pre-drilled for optional accessory Tray Kits
- ☆ Tray options are available for cabinets with select depth modifications. See Construction Options for specifics
- **Note:** When depth is reduced to 12" or 15", drawers become a false drawer front
- **Note:** For tray or shelf options for select cabinets, replace HDS (10d) with the option code of your choice

❖ SST ⑦	● FDS ⑩c
❖ SDT ⑦	☆ WT ⑩c
● PST ⑦	☆ ST ⑩c
● PDT ⑦	WF ⑩c
● ADT ⑦	FT ⑩c
● 12 ⑩b	☆ DT ⑩c
● 15 ⑩b	DF ⑩c
● 18 ⑩b	● CFO ⑩g
● 21 ⑩b	● CSO ⑩g
❖ HDS ⑩d	

Base Single Door Full-Height



HDS option shown



12" Deep
Specify R or L

▲■ B1212FH	R or L	
▲■ B1512FH	R or L	
▲■ B1812FH	R or L	
▲■ B2112FH	R or L	
▲■ B2412FH	R or L	

24" Deep
Specify R or L

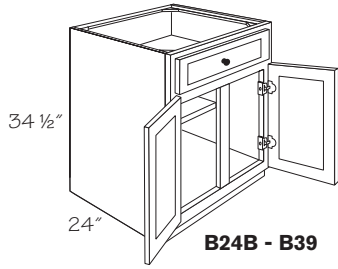
▲ B9FH	R or L	
B12FH	R or L	HDS
B15FH	R or L	HDS
B18FH	R or L	HDS
B21FH	R or L	HDS
B24FH	R or L	HDS

- ▲ **Not** available with tray or shelf options
- Depth modification options are **not** available

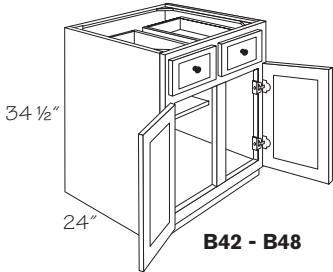
- Back panel is pre-drilled for optional roll-out trays
- ☆ Tray options are available for cabinets with select depth modifications. See Construction Options for specifics
- B9FH has no shelf
- **Note:** For tray or shelf options for select cabinets, replace HDS (10d) with the option code of your choice

❖ SST ⑦	● FDS ⑩c
❖ SDT ⑦	☆ WT ⑩c
● PST ⑦	☆ ST ⑩c
● PDT ⑦	WF ⑩c
● ADT ⑦	FT ⑩c
● 12 ⑩b	☆ DT ⑩c
● 15 ⑩b	DF ⑩c
● 18 ⑩b	● CFO ⑩g
● 21 ⑩b	● CSO ⑩g
❖ HDS ⑩d	

Base Double Door



Non-Butt, HDS option shown



HDS option shown

⑩a ⑩d

One Drawer

- B24B HDS
- B27B HDS
- B30 HDS
- B30B HDS
- B33 HDS
- B33B HDS
- B36 HDS
- B36B HDS
- B39 HDS

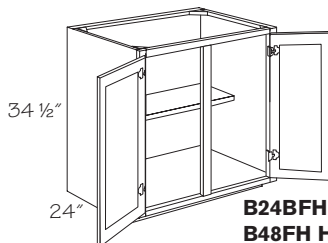
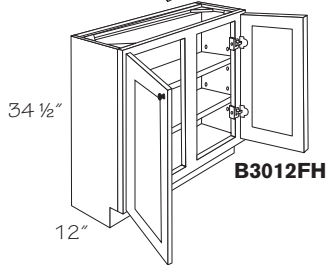
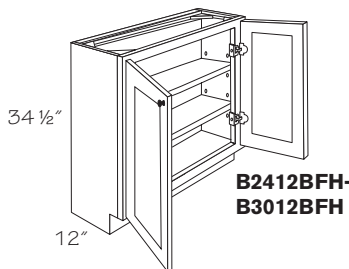
Two Drawers

- B42 HDS
- B45 HDS
- B48 HDS

- Standard height top drawers
- B24B-B39 have one standard drawer
- B42-B48 have two standard drawers
- ☆ Tray options are available for cabinets with select depth modifications. See Construction Options for specifics
- Back panel is pre-drilled for optional accessory Tray Kits
- Cabinets with a "B" suffix have BUTT doors without a center stile
- **Note:** When depth is reduced to 12" or 15", drawers become a false drawer front
- **Note:** For tray or shelf options for select cabinets, replace HDS (10d) with the option code of your choice

❖ SST ⑦	● FDS ⑩d
❖ SDT ⑦	☆ WT ⑩d
● PST ⑦	☆ ST ⑩d
● PDT ⑦	☆ WF ⑩d
● ADT ⑦	☆ FT ⑩d
● 12 ⑩b	☆ DT ⑩d
● 15 ⑩b	☆ DF ⑩d
● 18 ⑩b	● CFO ⑩g
● 21 ⑩b	● CSO ⑩g
❖ HDS ⑩d	

Base Double Door Full-Height



Non-Butt HDS, option shown

⑩a ⑩d

12" Deep

- ▲ B2412BFH
- ▲ B2712BFH
- ▲ B3012BFH
- ▲ B3012FH

24" Deep

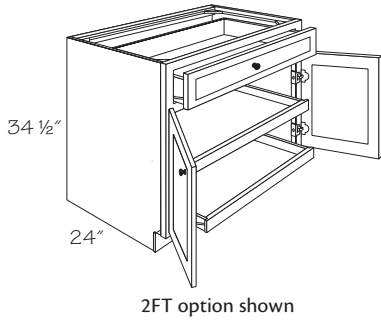
- B24BFH HDS
- B27BFH HDS
- B30BFH HDS
- B30FH HDS
- B33BFH HDS
- B33FH HDS
- B36FH HDS
- B36BFH HDS
- B39FH HDS
- B42FH HDS
- B45FH HDS
- B48FH HDS

- Back panel is pre-drilled for optional accessory Tray Kits
- ☆ Tray options are available for cabinets with select depth modifications. See Construction Options for specifics
- Cabinets with a "B" suffix have BUTT doors without a center stile
- Two full-height doors
- **Note:** For tray or shelf options for select cabinets, replace HDS (10d) with the option code of your choice

❖ SST ⑦	● FDS ⑩d
❖ SDT ⑦	☆ WT ⑩d
● PST ⑦	☆ ST ⑩d
● PDT ⑦	☆ WF ⑩d
● ADT ⑦	☆ FT ⑩d
● 12 ⑩b	☆ DT ⑩d
● 15 ⑩b	☆ DF ⑩d
● 18 ⑩b	● CFO ⑩g
● 21 ⑩b	● CSO ⑩g
❖ HDS ⑩d	

- Depth modification options are **not** available
- ▲ **Not** available with tray or shelf options

Base Butt Door - Full Extension Tray

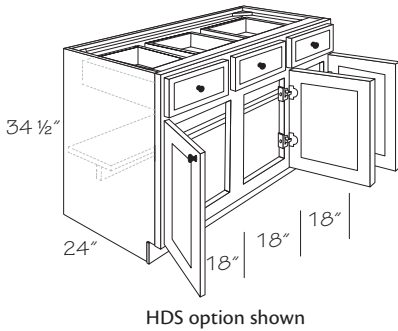


10a 10d
BSD30B 2FT
BSD36B 2FT

- One standard height full-width drawer
- Roll-out trays are full extension
- Cabinets have BUTT doors without a center stile
- ☆ **Note: Must** select tray option

❖ SST (7)	● FDS (10d)
❖ SDT (7)	● WT (10d)
● PST (7)	● ST (10d)
● PDT (7)	☆ WF (10d)
● ADT (7)	☆ FT (10d)
12 (10b)	● DT (10d)
15 (10b)	☆ DF (10d)
18 (10b)	● CFO (10g)
21 (10b)	● CSO (10g)
HDS (10d)	

Base Three Door

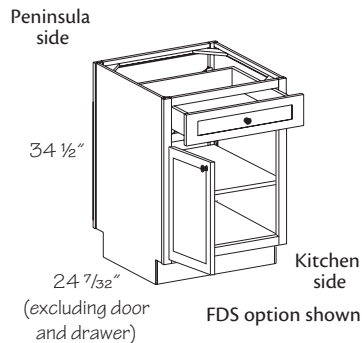


10a 10d
B54 HDS

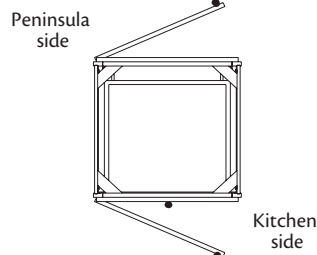
- Three standard height drawers
- Three equal sized doors; center door hinged right
- 3 3/16" wide full-width support cross rail across top front of cabinet
- Back panel is pre-drilled for optional accessory Tray Kits
- ☆ Tray options are available for cabinets with select depth modifications. See Construction Options for specifics
- **Note:** When depth is reduced to 12" or 15", drawers become a false drawer front
- **Note:** For tray or shelf options for select cabinets, replace HDS (10d) with the option code of your choice

❖ SST (7)	● FDS (10d)
❖ SDT (7)	☆ WT (10d)
● PST (7)	☆ ST (10d)
● PDT (7)	● WF (10d)
● ADT (7)	● FT (10d)
● 12 (10b)	☆ DT (10d)
● 15 (10b)	● DF (10d)
● 18 (10b)	● CFO (10g)
● 21 (10b)	● CSO (10g)
❖ HDS (10d)	

Peninsula Base Single Door



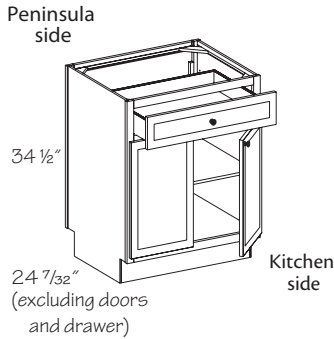
10a 10d
PB18 FDS
PB21 FDS
PB24 FDS



- One standard height full-width drawer opens on kitchen side
- Peninsula side has one full-width false drawer front above door
- Each side has one door hinged at the same end of cabinet
- Door hinged left on kitchen side
- **Note:** Full depth shelf (FDS) option or a tray option **must** be selected for this cabinet
- **Note:** Because these cabinets do **not** have back panels, it is **not** recommended to use Peninsula Base cabinets in island applications. Failure to follow this limitation could cause serious injury and will void the product warranty

❖ SST (7)	● FDS (10d)
❖ SDT (7)	● WT (10d)
● PST (7)	● ST (10d)
● PDT (7)	● WF (10d)
● ADT (7)	● FT (10d)
12 (10b)	● DT (10d)
15 (10b)	● DF (10d)
18 (10b)	● CFO (10g)
21 (10b)	● CSO (10g)
HDS (10d)	

Peninsula Base Butt Door

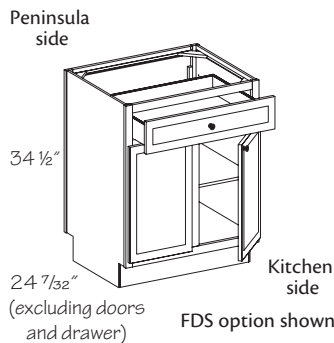


- (10a) PB24B
- (10a) PB27B
- (10a) PB30B
- (10a) PB36B
- (10d) FDS
- (10d) FDS
- (10d) FDS
- (10d) FDS

- One standard height full-width drawer opens on kitchen side
- Peninsula side has one full-width false drawer front above doors
- Each side has two doors
- Cabinets have BUTT doors without a center stile
- **Note:** Full depth shelf (FDS) option or a tray option **must** be selected for this cabinet
- **Note:** Because these cabinets do **not** have back panels, it is **not** recommended to use Peninsula Base cabinets in island applications. Failure to follow this limitation could cause serious injury and will void the product warranty

- ❖ SST (7)
- ❖ SDT (7)
- PST (7)
- PDT (7)
- ADT (7)
- 12 (10b)
- 15 (10b)
- 18 (10b)
- 21 (10b)
- HDS (10d)
- FDS (10d)
- WT (10d)
- ST (10d)
- WF (10d)
- FT (10d)
- DT (10d)
- DF (10d)
- CFO (10g)
- CSO (10g)

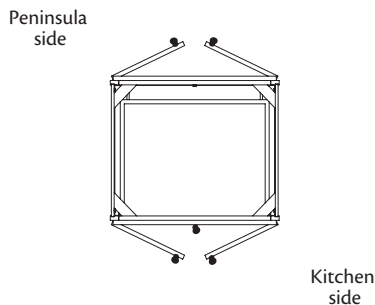
Peninsula Base Double Door



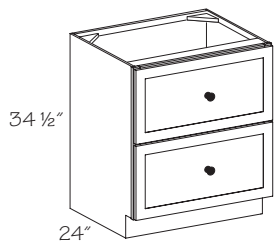
- (10a) PB30
- (10a) PB36
- (10d) FDS
- (10d) FDS

- One standard height full-width drawer opens on kitchen side
- Peninsula side has one full-width false drawer front above door
- Each side has two doors
- **Note:** Full depth shelf (FDS) option or a tray option **must** be selected for this cabinet
- **Note:** Because these cabinets do **not** have back panels, it is **not** recommended to use Peninsula Base cabinets in island applications. Failure to follow this limitation could cause serious injury and will void the product warranty

- ❖ SST (7)
- ❖ SDT (7)
- PST (7)
- PDT (7)
- ADT (7)
- 12 (10b)
- 15 (10b)
- 18 (10b)
- 21 (10b)
- HDS (10d)
- FDS (10d)
- WT (10d)
- ST (10d)
- WF (10d)
- FT (10d)
- DT (10d)
- DF (10d)
- CFO (10g)
- CSO (10g)



Base Pots and Pans Storage

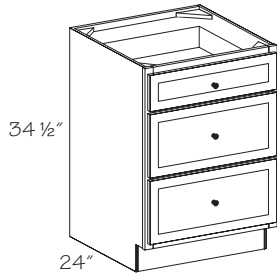


- (10a) BPPS27-2D
- (10a) BPPS30-2D
- (10a) BPPS33-2D
- (10a) BPPS36-2D

- Always ships with two solid wood deep Dovetail drawers
- Heavy duty full extension undermount guides
- 3 3/16" wide full-width support cross rail across top front of cabinet
- Drawer interior height is 8 5/8"

- ❖ SST (7)
- ❖ SDT (7)
- PST (7)
- PDT (7)
- ADT (7)
- 12 (10b)
- 15 (10b)
- 18 (10b)
- 21 (10b)
- HDS (10d)
- FDS (10d)
- WT (10d)
- ST (10d)
- WF (10d)
- FT (10d)
- DT (10d)
- DF (10d)
- CFO (10g)
- CSO (10g)

Base Three Drawer

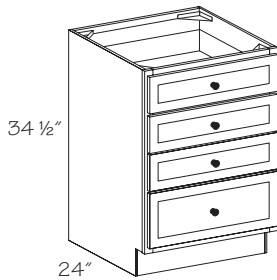


10a
 3/4 Extension Drawer
BD12-3D
BD15-3D
BD18-3D
BD21-3D
BD24-3D
BD27-3D
 Full Extension Drawer
BD30-3D
BD33-3D
BD36-3D

- One standard height drawer on top
- Two deep drawers on bottom
- Cabinets BD12-3D to BD27-3D in SST and PST construction will have standard 3/4 extension side mount slides on all three drawers. SDT, PDT, and ADT construction will have full extension undermount soft-close slides on all three drawers
- Cabinets BD30-3D to BD36-3D in SST and PST construction will have standard 3/4 extension side mount slides on top drawer and full extension ball bearing side mount slides on deep drawers. SDT, PDT, and ADT construction will have full extension undermount soft-close slides on all three drawers
- Cabinets BD30-3D to BD36-3D in SST and PST construction reduced depth to 18", will have epoxy side mounted standard 3/4 extension slides on all drawers
- LaBelle standard height drawer front has a flat recessed center panel, while deep drawer fronts have a raised center panel
- **Note:** See frame dimensions in the Cabinet Specifications section for drawer opening heights

❖ SST (7)	● FDS (10d)
❖ SDT (7)	● WT (10c)
● PST (7)	● ST (10c)
● PDT (7)	● WF (10c)
● ADT (7)	● FT (10c)
12 (10b)	● DT (10c)
15 (10b)	● DF (10c)
● 18 (10b)	● CFO (10g)
● 21 (10b)	● CSO (10g)
HDS (10d)	

Base Four Drawer

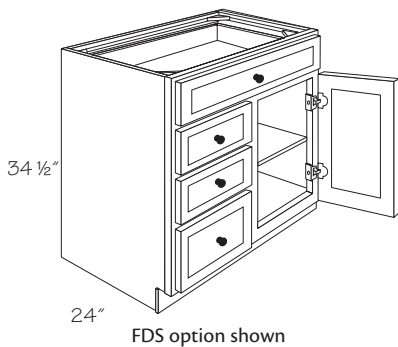


10a
BD12-4D
BD15-4D
BD18-4D
BD21-4D
BD24-4D
BD27-4D

- Three standard height drawers
- One deep drawer on bottom
- 3/4 extension slides on top three drawers when SST or PST construction is chosen
- LaBelle standard height drawer front has a flat recessed center panel, while deep drawer fronts have a raised center panel

❖ SST (7)	● FDS (10d)
❖ SDT (7)	● WT (10c)
● PST (7)	● ST (10c)
● PDT (7)	● WF (10c)
● ADT (7)	● FT (10c)
12 (10b)	● DT (10c)
15 (10b)	● DF (10c)
● 18 (10b)	● CFO (10g)
● 21 (10b)	● CSO (10g)
HDS (10d)	

Base Combination Four Drawer

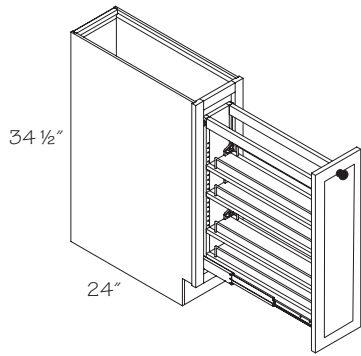


10a
 Specify DR or DL
BCD24 DR or DL-4D
BCD30 DR or DL-4D
BCD36 DR or DL-4D

- 10d
- Three standard height drawers; top drawer is full-width
 - One deep drawer
 - Specify DL (Drawer Left) or DR (Drawer Right) position for drawers
 - Back panel is pre-drilled for optional accessory Tray Kits
 - LaBelle standard height drawer front has a flat recessed center panel, while deep drawer fronts have a raised center panel
 - **Note:** Full depth shelf (FDS) option or a tray option **must** be selected for this cabinet

❖ SST (7)	● FDS (10d)
❖ SDT (7)	● WT (10c)
● PST (7)	● ST (10c)
● PDT (7)	● WF (10c)
● ADT (7)	● FT (10c)
12 (10b)	● DT (10c)
15 (10b)	● DF (10c)
● 18 (10b)	● CFO (10g)
● 21 (10b)	● CSO (10g)
HDS (10d)	

Base Pull-Out

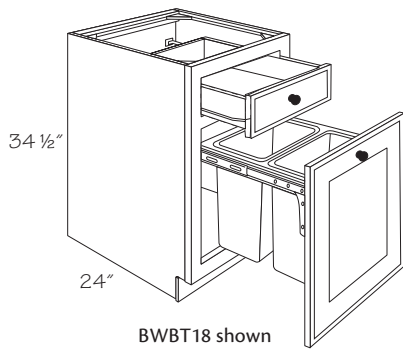


⑩a
BPO9

- Four-tier (three adjustable shelves) maple base organizer with clear coat finish
- Full-height door attached to pull-out
- Tiers are 3 3/4" wide
- 1/4" diameter chrome plated steel rail side extensions help prevent stored items from falling out, yet still viewable
- White epoxy coated full-extension ball bearing slides

❖ SST ⑦	FDS ⑩c
❖ SDT ⑦	WT ⑩c
● PST ⑦	ST ⑩c
● PDT ⑦	WF ⑩c
● ADT ⑦	FT ⑩c
12 ⑩b	DT ⑩c
15 ⑩b	DF ⑩c
18 ⑩b	CFO ⑩g
21 ⑩b	● CSO ⑩g
HDS ⑩d	

Base Wastebasket Top Mount



⑩a
**BWBT15
BWBT18**

- One standard height full-width drawer
- Door is attached to wastebasket assembly and is pulled open to access basket(s)
- Wastebasket assembly rolls out on full-extension ball-bearing slides
- BWBT15 has one 35 qt. white plastic basket and one 5 1/2" deep white plastic tray for garbage bag storage
- BWBT18 has two 35 qt. white plastic baskets (no garbage bag tray storage)
- Hardwood veneer tray supports easily removable basket(s)
- 35 qt. basket size is 10 1/2" x 14 5/8" x 18" tall

❖ SST ⑦	FDS ⑩c
❖ SDT ⑦	WT ⑩c
● PST ⑦	ST ⑩c
● PDT ⑦	WF ⑩c
● ADT ⑦	FT ⑩c
12 ⑩b	DT ⑩c
15 ⑩b	DF ⑩c
18 ⑩b	CFO ⑩g
21 ⑩b	CSO ⑩g
HDS ⑩d	

Base Sink Cabinets

Construction Options and Modifications

- ❖ Included as standard
- Available with an upcharge
- ☆ Available with exceptions

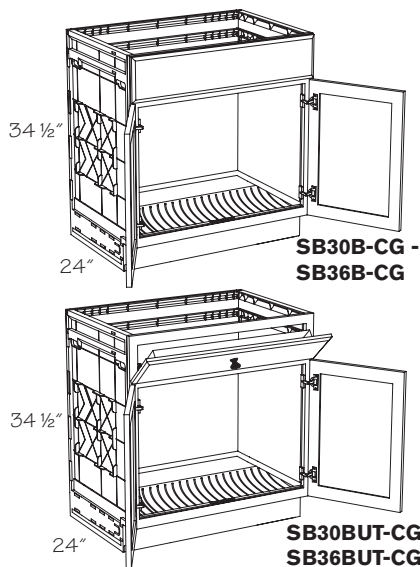
(Blank) **Not** available

SST	Construction	-----	(7)
SDT	Construction	-----	(7)
PST	Construction	-----	(7)
PDT	Construction	-----	(7)
ADT	Construction	-----	(7)
12	Depth Modification	-----	(10b)
15	Depth Modification	-----	(10b)
18	Depth Modification	-----	(10b)
21	Depth Modification	-----	(10b)
CFO	Cabinet Front Only	-----	(10g)
CSO	Case Only	-----	(10g)

(10a)

SFDB4242

CoreGuard® Sink Base



(10a)

Without Utility Tray

SB30B-CG
SB33B-CG
SB36B-CG

With Utility Tray

SB30BUT-CG
SB33BUT-CG
SB36BUT-CG

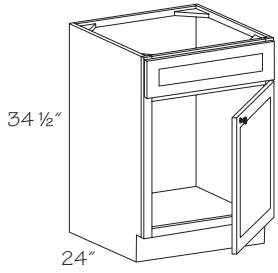
- No shelf
- One full-width false drawer front above doors
- Cabinets have BUTT doors without a center stile
- Light beige color interior
- Available for order with all door styles
- ☆ Regardless of construction option, model is constructed the same
- ☆ Available in all construction options, shipped with back, end and bottom panels made of an engineered polymer material
- Decorative end panel required for end of peninsula or island. **Not** Included, order separately
- Bottom panel slants 1° toward front of cabinet and has raised ribs to slightly elevate stored items
- Easy to clean and durable sink base helps protect the cabinetry from everyday leaks and spills
- For cabinet back panel plumbing installation errors, CoreGuard® Panel Backer is available. See CGPB36 in Panels section. Order separately
- ☆ **Note:** Case only (CSO) is not available for cabinets "With Utility Tray"

- ☆ SST (7)
- ☆ SDT (7)
- ☆ PST (7)
- ☆ PDT (7)
- ☆ ADT (7)
- 12 (10b)
- 15 (10b)
- 18 (10b)
- 21 (10b)
- CFO (10g)
- ☆ CSO (10g)

Opening Sizes		
Cabinet	Top Width	Top Depth
SB30B-CG	27 1/16"	22 3/8"
SB33B-CG	30 1/16"	22 3/8"
SB36B-CG	33 1/16"	22 3/8"
SB30BUT-CG	27 1/16"	22 3/8"
SB33BUT-CG	30 1/16"	22 3/8"
SB36BUT-CG	33 1/16"	22 3/8"

Caution: For an island/peninsula installation, the CoreGuard® Sink cabinet **must** have a minimum of one (1) 15" cabinet or larger installed adjacent to it in order for the island/peninsula to have adequate structural stability. Accessories **cannot** be installed on end panels, back or floor of the cabinet

Sink Base Single Door



⑩a ⑩c

Specify R or L

- SB12** R or L
- SB15** R or L
- SB18** R or L
- SB21** R or L
- SB24** R or L

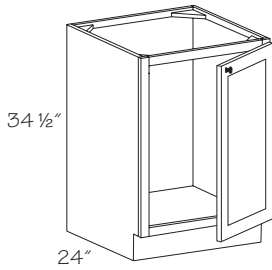
With Utility Tray

- SB24UT** R or L

- No shelf
- One full-width false drawer front
- Back panel is pre-drilled for optional accessory Tray Kits
- ☆ **Note:** Cabinet Front Only (CFO) and Case Only (CSO) option is **not** available for cabinets "With a Utility Tray"

- ❖ **SST** ⑦
- ❖ **SDT** ⑦
- **PST** ⑦
- **PDT** ⑦
- **ADT** ⑦
- **12** ⑩b
- **15** ⑩b
- **18** ⑩b
- **21** ⑩b
- ☆ **CFO** ⑩g
- ☆ **CSO** ⑩g

Sink Base Single Door Full-Height



⑩a ⑩c

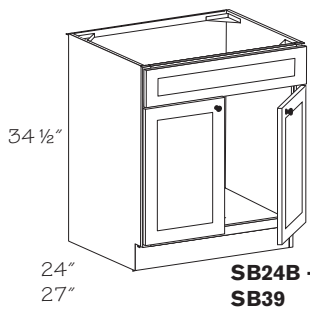
Specify R or L

- SB24FH** R or L

- No shelf
- Specify right or left hinging
- Back panel is pre-drilled for optional accessory Tray Kits

- ❖ **SST** ⑦
- ❖ **SDT** ⑦
- **PST** ⑦
- **PDT** ⑦
- **ADT** ⑦
- **12** ⑩b
- **15** ⑩b
- **18** ⑩b
- **21** ⑩b
- **CFO** ⑩g
- **CSO** ⑩g

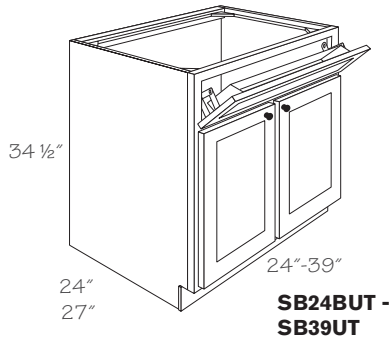
Sink Base Double Door



10a
 24" Deep
SB24B
SB27B
SB30
SB30B
SB33
SB33B
SB36
SB36B
SB39
SB42
SB48

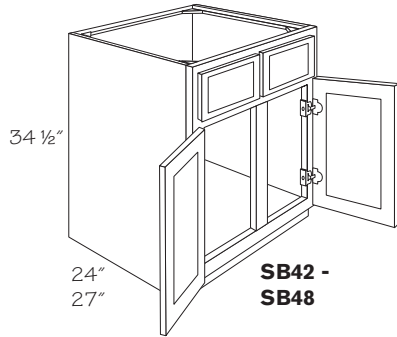
27" Deep
 ■ **SB2727B**
 ■ **SB3027**
 ■ **SB3027B**
 ■ **SB3327**
 ■ **SB3327B**
 ■ **SB3627**
 ■ **SB3627B**
 ■ **SB4227**

■ Depth modification options are *not* available

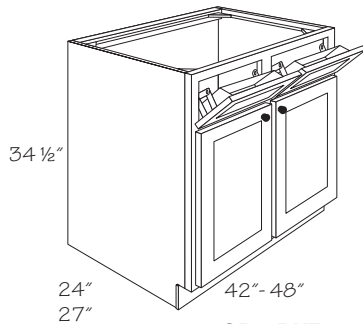


10a
 24" Deep
 With Utility Tray
SB24BUT
SB27BUT
SB30UT
SB30BUT
SB33UT
SB33BUT
SB36UT
SB36BUT
SB39UT
SB42UT
SB48UT

27" Deep
 With Utility Tray
 ■ **SB2727BUT**
 ■ **SB3027UT**
 ■ **SB3027BUT**
 ■ **SB3327UT**
 ■ **SB3327BUT**
 ■ **SB3627UT**
 ■ **SB3627BUT**
 ■ **SB4227UT**



SB42 - SB48

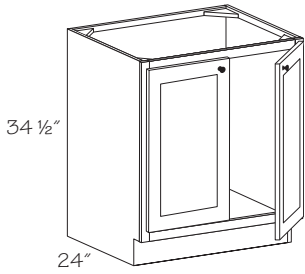


SB42BUT - SB48UT

- No shelf
- One full-width false drawer front above doors except SB42, SB42UT, SB4227, SB4227UT, SB48 and SB48UT which have two drawer fronts
- Cabinets with a "B" suffix have BUTT doors without a center stile
- Back panel is pre-drilled for optional accessory Tray Kits
- Roll-out tray *not* available for 27" deep cabinets
- ☆ **Note:** Cabinet Front Only (CFO) and Case Only (CSO) option is *not* available for cabinets "With a Utility Tray"

- ❖ SST (7)
- ❖ SDT (7)
- PST (7)
- PDT (7)
- ADT (7)
- 12 (10b)
- 15 (10b)
- 18 (10b)
- 21 (10b)
- ☆ CFO (10g)
- ☆ CSO (10g)

Sink Base Double Door Full-Height



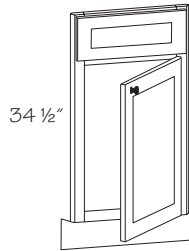
⑩a

SB24BFH
SB27BFH
SB30FH
SB30BFH
SB33FH
SB33BFH
SB36FH
SB36BFH
SB39FH
SB42FH
SB48FH

- No shelf
- Cabinets with a "B" suffix have BUTT doors without a center stile
- Back panel is pre-drilled for optional accessory Tray Kits

- ❖ SST ⑦
- ❖ SDT ⑦
- PST ⑦
- PDT ⑦
- ADT ⑦
- 12 ⑩b
- 15 ⑩b
- 18 ⑩b
- 21 ⑩b
- CFO ⑩g
- CSO ⑩g

Sink Front Single Door



⑩a

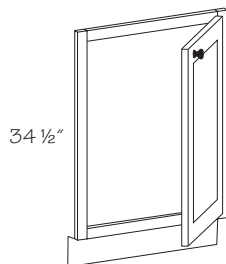
⑩c

Specify R or L
SF24 R or L

- **Not** trimmable
- One full-width false drawer front
- Toespace (toe kick backer assembly) included, shipped unattached
- Bottom panel **not** included, order separately. See Sink Front Bottom (SFB2336)
- ☆ Regardless of construction option, model is constructed the same

- ☆ SST ⑦
- ☆ SDT ⑦
- ☆ PST ⑦
- ☆ PDT ⑦
- ☆ ADT ⑦
- 12 ⑩b
- 15 ⑩b
- 18 ⑩b
- 21 ⑩b
- CFO ⑩g
- CSO ⑩g

Sink Front Single Door Full-Height



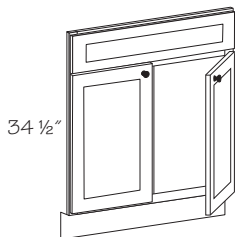
⑩a

SF24FH

- **Not** trimmable
- Invertible for right or left hand use
- Toespace (toe kick backer assembly) included, shipped unattached
- Bottom panel **not** included, order separately. See Sink Front Bottom (SFB2336)
- ☆ Regardless of construction option, model is constructed the same

- ☆ SST ⑦
- ☆ SDT ⑦
- ☆ PST ⑦
- ☆ PDT ⑦
- ☆ ADT ⑦
- 12 ⑩b
- 15 ⑩b
- 18 ⑩b
- 21 ⑩b
- CFO ⑩g
- CSO ⑩g

Sink Front Double Door

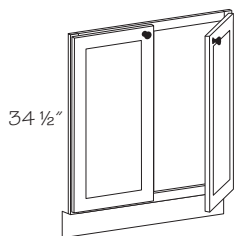


⑩a
SF24B
SF30
SF30B
SF36
SF36B

- **Not** trimmable
- One full-width false drawer front
- Cabinets with a "B" suffix have BUTT doors without a center stile
- Toespace (toe kick backer assembly) included, shipped unattached
- Bottom panel **not** included, order separately. See Sink Front Bottom (SFB2336)
- ☆ Regardless of construction option, model is constructed the same

- ☆ SST ⑦
- ☆ SDT ⑦
- ☆ PST ⑦
- ☆ PDT ⑦
- ☆ ADT ⑦
- 12 ⑩b
- 15 ⑩b
- 18 ⑩b
- 21 ⑩b
- CFO ⑩g
- CSO ⑩g

Sink Front Double Door Full-Height

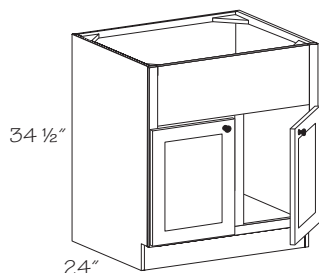


⑩a
SF24BFH
SF30FH
SF30BFH
SF36FH
SF36BFH

- **Not** trimmable
- Cabinets with a "B" suffix have BUTT doors without a center stile
- Toespace (toe kick backer assembly) included, shipped unattached
- Bottom panel **not** included, order separately. See Sink Front Bottom (SFB2336)
- ☆ Regardless of construction option, model is constructed the same


- ☆ SST ⑦
- ☆ SDT ⑦
- ☆ PST ⑦
- ☆ PDT ⑦
- ☆ ADT ⑦
- 12 ⑩b
- 15 ⑩b
- 18 ⑩b
- 21 ⑩b
- CFO ⑩g
- CSO ⑩g

Deep Sink Base



⑩a
DSB30
DSB33
DSB36

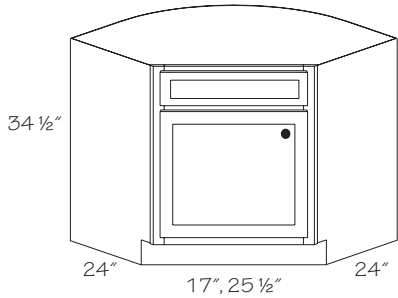
- No shelf
- Designed for use with "farm/farm house" style sinks
- Trimmable face frame rail across top
- Face frame center stile included on all widths to provide extra sink support
- Back panel is pre-drilled for optional accessory Tray Kits

 Be sure to follow sink manufacturer specifications and instructions to ensure proper fit. Make sure to choose a cabinet that is at least 4 1/2" wider than the outside sink dimensions

- ❖ SST ⑦
- ❖ SDT ⑦
- PST ⑦
- PDT ⑦
- ADT ⑦
- 12 ⑩b
- 15 ⑩b
- 18 ⑩b
- 21 ⑩b
- CFO ⑩g
- CSO ⑩g

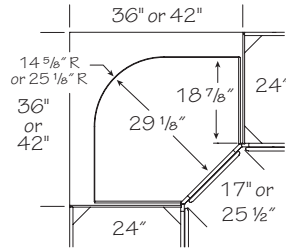
Maximum Trimmable Opening Sizes		
Cabinet	Max Width	Max Height
DSB30	25 1/2"	9 1/2"
DSB33	28 1/2"	9 1/2"
DSB36	31 1/2"	9 1/2"

Sink Base Angle



⑩a ⑩c

Specify R or L
SBA36 R or L
SBA42 R or L

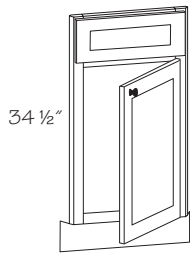


- One full-width false drawer front above door
- Full overlay sink front door and false drawer front are similar in width to traditional overlay cabinets in order to avoid interference with adjacent cabinet doors. This exposes more of the cabinet face frame
- Top panel **must** be cut in field to receive sink
- Use Base End Panel Filler (BEPF3-34) if end is exposed (requires 3" of space)
- 29 1/4" minimum doorway clearance required for delivery with cabinet door removed
- Adjacent cabinets can be installed directly without fillers
- **Note:** Back panel (barrel) will **not** be plywood when ADT is ordered

- ❖ SST ⑦
- ❖ SDT ⑦
- PST ⑦
- PDT ⑦
- ADT ⑦
- 12 ⑩b
- 15 ⑩b
- 18 ⑩b
- 21 ⑩b
- CFO ⑩g
- CSO ⑩g

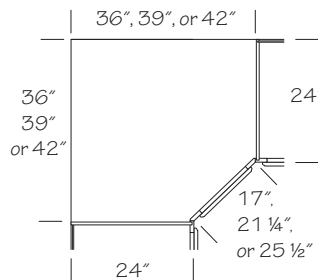
Caution: If cabinet is installed next to an appliance deeper than 25", it may interfere with the cabinet door opening. Options available: A) Use a filler between cabinet and appliance, B) Pull cabinet even with appliance front, which will result in a deeper countertop and overall base cabinet depth dimension

Sink Front Angle



⑩a ⑩c

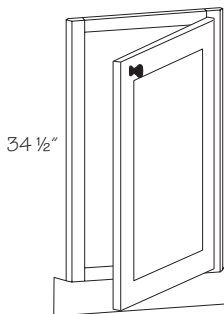
Specify R or L
SFA36 R or L
SFA39 R or L
SFA42 R or L



- One full-width false drawer front above door
- Full overlay sink front door and false drawer front are similar in width to traditional overlay cabinets in order to avoid interference with adjacent cabinet doors. This exposes more of the cabinet face frame
- Toespace (toe kick backer assembly) included, shipped unattached
- Bottom panel **not** included, order separately. See Sink Front Diagonal Bottom (SFDB2442)
- ☆ Regardless of construction option, model is constructed the same

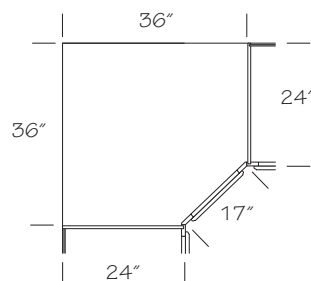
- ☆ SST ⑦
- ☆ SDT ⑦
- ☆ PST ⑦
- ☆ PDT ⑦
- ☆ ADT ⑦
- 12 ⑩b
- 15 ⑩b
- 18 ⑩b
- 21 ⑩b
- CFO ⑩g
- CSO ⑩g

Sink Front Angle Full-Height



⑩a

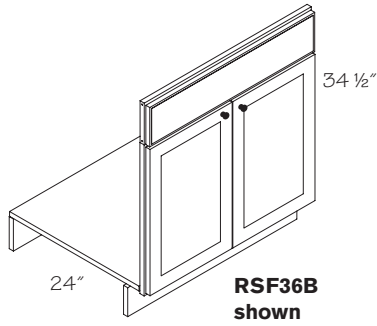
SFA36FH



- Full overlay sink front door and false drawer front are similar in width to traditional overlay cabinets in order to avoid interference with adjacent cabinet doors. This exposes more of the cabinet face frame
- Invertible for right or left hand use
- Toespace (toe kick backer assembly) included, shipped unattached
- Bottom panel **not** included, order separately. See Sink Front Diagonal Bottom (SFDB2442)
- ☆ Regardless of construction option, model is constructed the same

- ☆ SST ⑦
- ☆ SDT ⑦
- ☆ PST ⑦
- ☆ PDT ⑦
- ☆ ADT ⑦
- 12 ⑩b
- 15 ⑩b
- 18 ⑩b
- 21 ⑩b
- CFO ⑩g
- CSO ⑩g


Removable Sink Front Double Door



10a
RSF30B
RSF33B
RSF36B
RSF42

- Designed for easy field conversion from a standard sink base functionality to access open space
- Butt doors on 30", 33", and 36" widths; 42" is a double door with a center stile
- Permanently installed countertop support rail is 6-1/2" high x 3/4" thick solid wood with a factory installed standard height matching false drawer front(s) providing a seamless sink base appearance. (1) full-width drawer front on 30", 33" and 36" widths; (2) false drawer fronts on 42" wide
- If a shorter countertop support is required when used for universal access as additional vertical clearance, a 3" filler can be used in place of the 6 1/2" high support rail. Order separately
- 3/4" thick removable plywood bottom panel with support hardware / leveling legs and a removable clipped-on toeboard provided
- Matching solid wood baseboard provided for bottom panel support along the kitchen wall
- Frame, doors, floor bottom and toeboard can be flat packed for easy storage in a minimum amount of space
- Frame attached to bottom panel using quick connect (cam-locks) fasteners providing a solid tight joint
- Some field assembly required; instructions and hardware included
- Doors and frame are shipped pre-assembled
- A Universal Access Panel (UAP) can be purchased separately to conceal/protect the water and drain lines. See "Panels" section. Please specify specie and finish
- ☆ Regardless of construction option, model is constructed the same

- ☆ SST 7
- ☆ SDT 7
- ☆ PST 7
- ☆ PDT 7
- ☆ ADT 7
- 12 10b
- 15 10b
- 18 10b
- 21 10b
- CFO 10g
- CSO 10g

 Complete flooring under Universal Access Removable Sink Front (URSF) to prepare for the future when sink front and plywood bottom is removed.

Base Corner Cabinets

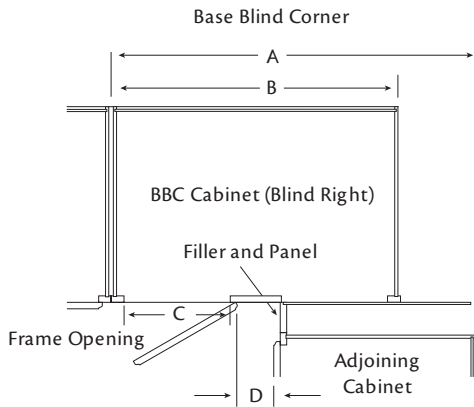
Construction Options and Modifications

- ❖ Included as standard
- Available with an upcharge
- ☆ Available with exceptions
- (Blank) **Not** available

SST	Construction	-----	⑦	FDS	Full Depth Shelf	-----	⑩c
SDT	Construction	-----	⑦	WT	Wood Trays	-----	⑩c
PST	Construction	-----	⑦	ST	Standard Trays	-----	⑩c
PDT	Construction	-----	⑦	WF	Wood Full-Width Trays	-----	⑩c
ADT	Construction	-----	⑦	FT	Standard Full-Width Trays	---	⑩c
12	Depth Modification	-----	⑩b	DT	Deluxe Trays	-----	⑩c
15	Depth Modification	-----	⑩b	DF	Deluxe Full-Width Trays	---	⑩c
18	Depth Modification	-----	⑩b	CFO	Cabinet Front Only	-----	⑩g
21	Depth Modification	-----	⑩b	CSO	Case Only	-----	⑩g
HDS	Half Depth Shelf	-----	⑩d				

⑩a **BBC36/39**
 ⑩c **BR**
 ⑩d **HDS**

Base Blind Corner Cabinet Information



- Base blind corner cabinets provide access to corner space and permit adjustability of up to 2 7/8" maximum to aid in kitchen layout. Consult chart for "pull" dimensions and minimum wall space requirements
- "Pulling" the cabinet away from the corner (adding up to 2 7/8" maximum to the void area), and using the supplied filler and panel, provides clearance for opening doors and drawers when decorative hardware is used
- BR or BL indicates blind end of cabinet. Please specify.
- Door hinged on same side as blind
- Blind side **must** be ordered left or right
- Full overlay products **must** be pulled the maximum 2 7/8" for proper hardware clearance for drawer and roll-out tray of adjoining cabinet
- Overlays (OL) available for all full overlay door styles except Fusion. Order separately. Overlays are used to cover the exposed filler and frame. This provides a continuous door appearance. Overlays **must** be field cut (mitered) to required width determined by cabinet "pull". See Filler Overlay Detail below.
- **Note:** A 3" Base Filler and Blind Panel is included with each BBC cabinet ordered, shipped unattached

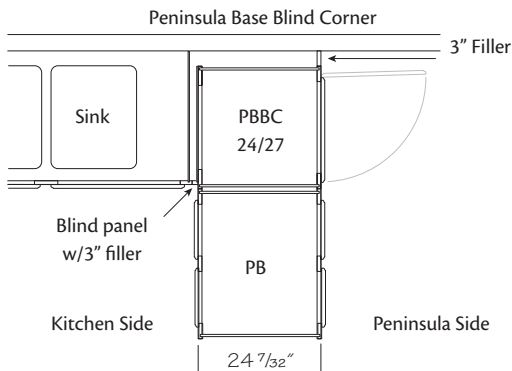
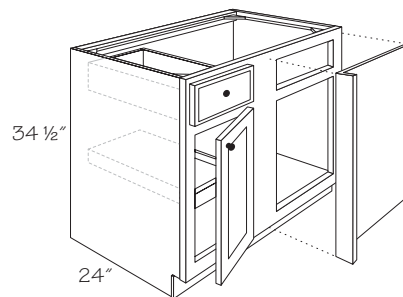
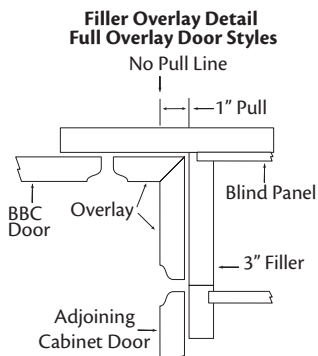


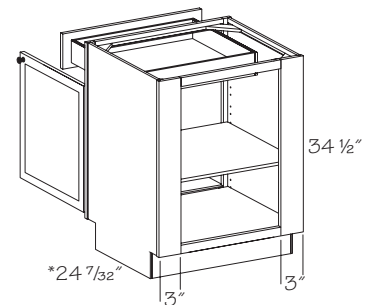
Illustration is Right Hand hinging

Traditional Overlay							
Base Blind Corner	(A) Wall Space		(B) Cabinet Width	(C) Frame Opening		(D) Door Hardware Clearance	
	No Pull	Max Pull		Drawer Opening	Door Opening	No Pull	Max Pull
	BBC36/39	36"		38 7/8"	24"	5" h x 7 1/2" w	7 1/2" w x 20 1/2 h
BBC39/42	39"	41 7/8"	30"	5" h x 10 1/2" w	10 1/2" w x 20 1/2 h	1 1/2"	4 3/8"
BBC42/45	42"	44 7/8"	36"	5" h x 13 1/2" w	13 1/2" w x 20 1/2 h	1 1/2"	4 3/8"
BBC45/48	45"	47 7/8"	42"	5" h x 16 1/2" w	16 1/2" w x 20 1/2 h	1 1/2"	4 3/8"
BBC48/51	48"	50 7/8"	48"	5" h x 19 1/2" w	19 1/2" w x 20 1/2 h	1 1/2"	4 3/8"

Full Overlay							
Base Blind Corner	(A) Wall Space		(B) Cabinet Width	(C) Frame Opening		(D) Door Hardware Clearance	
	No Pull	Max Pull		Drawer Opening	Door Opening	No Pull	Max Pull
	BBC36/39	36"		38 7/8"	24"	5" h x 7 1/2" w	7 1/2" w x 20 1/2 h
BBC39/42	39"	41 7/8"	30"	5" h x 10 1/2" w	10 1/2" w x 20 1/2 h	13/16"	3 11/16"
BBC42/45	42"	44 7/8"	36"	5" h x 13 1/2" w	13 1/2" w x 20 1/2 h	13/16"	3 11/16"
BBC45/48	45"	47 7/8"	42"	5" h x 16 1/2" w	16 1/2" w x 20 1/2 h	13/16"	3 11/16"
BBC48/51	48"	50 7/8"	48"	5" h x 19 1/2" w	19 1/2" w x 20 1/2 h	13/16"	3 11/16"

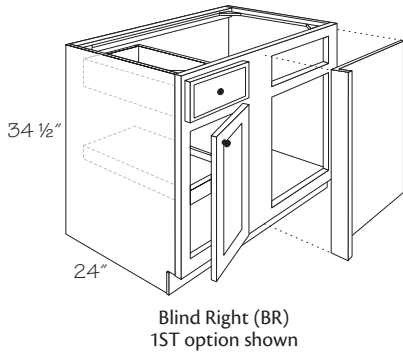


Base Blind Corner Cabinet
 Blind Right (BR)
 1st option shown



Peninsula Base Blind Corner
 FDS option shown
 *(excluding door and drawer)

Base Blind Corner



Blind Right (BR)
 1ST option shown

10a

Specify BR or BL

BBC36/39 BR or BL
BBC39/42 BR or BL
BBC42/45 BR or BL
BBC45/48 BR or BL
BBC48/51 BR or BL

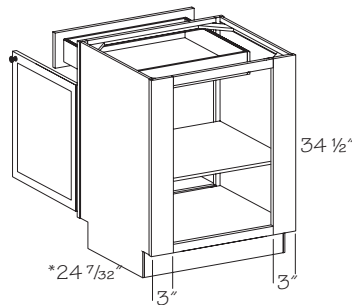
10d

HDS
HDS
HDS
HDS
HDS

- Standard height top drawer
- Door hinged to center stile
- Blind Panel with 3" filler included, shipped unattached
- Do **not** pull cabinet more than 2 7/8". This is not the space from the wall to the cabinet. This varies depending on cabinet size
- Overlays (OL) available for all full overlay door styles except Fusion. Order separately
- ☆ Tray options are available for cabinets with select depth modifications. See Construction Options for specifics
- Back panel is pre-drilled for optional accessory Tray Kits
- **Note:** For tray or shelf options for select cabinets, replace HDS (10d) with the option code of your choice
- **Note:** When depth is reduced to 12" or 15", drawers become a false drawer front

❖ SST (7)	● FDS (10d)
❖ SDT (7)	☆ WT (10d)
● PST (7)	☆ ST (10d)
● PDT (7)	WF (10d)
● ADT (7)	FT (10d)
● 12 (10b)	DT (10d)
● 15 (10b)	DF (10d)
● 18 (10b)	● CFO (10g)
● 21 (10b)	● CSO (10g)
❖ HDS (10d)	

Peninsula Base Single Door Blind Corner



FDS option shown
 *(excluding doors and drawer)

10a

Specify R or L
PBBC24/27

10c

R or L

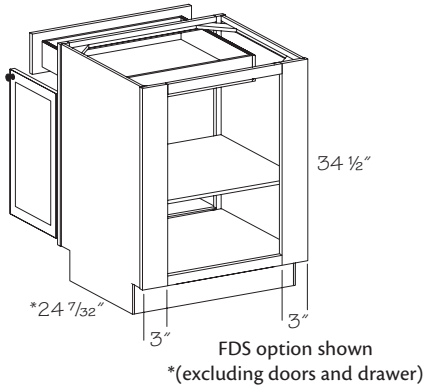
10d

FDS

- Cabinet is 24" wide
- Cabinet can be pulled a maximum of 3" from wall
- One door on peninsula side
- One standard height top drawer opens on peninsula side
- Use to start a peninsula run
- One 3" filler (BF3) included, shipped unattached
- Blind Panel with 3" filler included, shipped unattached
- Overlays (OL) available for all full overlay door styles except Fusion. Order separately
- Back face frames are pre-drilled for optional roll out trays
- **Note:** Full depth shelf (FDS) option or a tray option **must** be selected for this cabinet

❖ SST (7)	● FDS (10d)
❖ SDT (7)	● WT (10d)
● PST (7)	● ST (10d)
● PDT (7)	WF (10d)
● ADT (7)	FT (10d)
12 (10b)	● DT (10d)
15 (10b)	DF (10d)
18 (10b)	● CFO (10g)
21 (10b)	● CSO (10g)
HDS (10d)	

Peninsula Base Butt Door Blind Corner

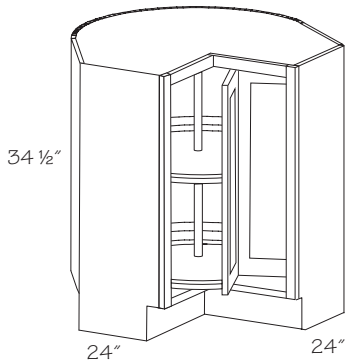


10a PBBC24/27B 10d FDS

- Cabinet is 24" wide
- Cabinet can be pulled a maximum of 3" from wall
- Butt doors without frame center stile on peninsula side
- One standard height top drawer opens on peninsula side
- Use to start a peninsula run
- One 3" filler (BF3) included, shipped unattached
- Blind Panel with 3" filler included, shipped unattached
- Back face frames are pre-drilled for optional roll out trays
- Overlays (OL) available for all full overlay door styles except Fusion. Order separately
- **Note:** Full depth shelf (FDS) option or a tray option **must** be selected for this cabinet

❖ SST 7	● FDS 10d
❖ SDT 7	● WT 10d
● PST 7	● ST 10d
● PDT 7	● WF 10d
● ADT 7	● FT 10d
12 10b	● DT 10d
15 10b	● DF 10d
18 10b	● CFO 10g
21 10b	● CSO 10g
HDS 10d	

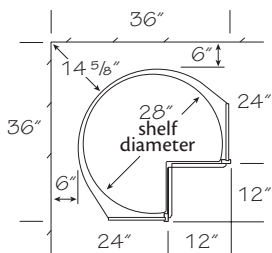
Base Lazy Susan



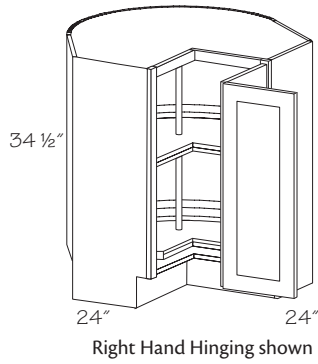
10a BLS36

- Two 28" diameter high impact, pie-cut revolving white plastic shelves
- Shelf load rating of 15 lbs. per square foot, **not** to exceed 50 lbs.
- Doors and shelves revolve as one unit
- Available in traditional overlay door styles only
- Use Base End Panel Filler (BEPF3-34) if end is exposed (requires 3" of space)
- **Note:** Back panel (barrel) will **not** be plywood when ADT is ordered

❖ SST 7	● FDS 10d
❖ SDT 7	● WT 10d
● PST 7	● ST 10d
● PDT 7	● WF 10d
● ADT 7	● FT 10d
12 10b	● DT 10d
15 10b	● DF 10d
18 10b	● CFO 10g
21 10b	● CSO 10g
HDS 10d	

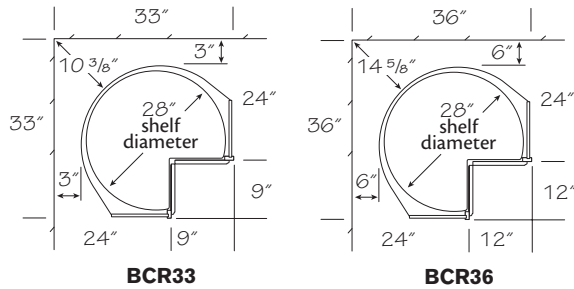


Base Corner Revolving



10a 10c

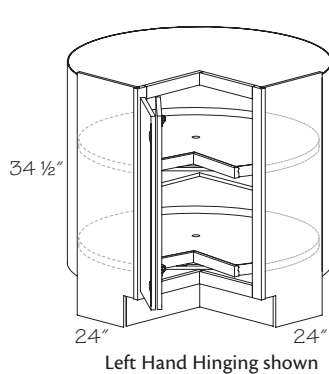
Specify R or L
BCR33 R or L
BCR36 R or L



- Two 28" diameter high impact, pie-cut revolving white plastic shelves
 - Shelves rotate independently of doors and each other
 - Shelf load rating of 15 lbs. per square foot, **not** to exceed 50 lbs.
 - Shelf height **cannot** be adjusted
 - Two piece bi-fold door with independent adjustment
 - Use Base End Panel Filler (BEPF3-34) if end is exposed (requires 3" of space)
 - 168° opening hinges on face frame door
 - Full overlay door style face frame stiles are notched to accept door hinges. Door hinging **cannot** be inverted in field
 - SoftAction hinges are **not** available
 - **Note:** Back panel (barrel) will **not** be plywood when ADT is ordered
- | | |
|-----------|-------------|
| ❖ SST (7) | FDS (10d) |
| ❖ SDT (7) | WT (10d) |
| ● PST (7) | ST (10d) |
| ● PDT (7) | WF (10d) |
| ● ADT (7) | FT (10d) |
| 12 (10b) | DT (10d) |
| 15 (10b) | DF (10d) |
| 18 (10b) | ● CFO (10g) |
| 21 (10b) | ● CSO (10g) |
| HDS (10d) | |

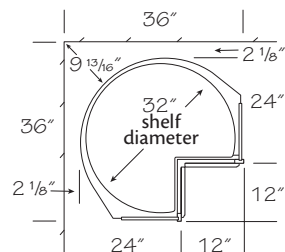
Caution: If cabinet is installed next to an appliance deeper than 25", it may interfere with the cabinet door opening. Options available: A) Use a filler between cabinet and appliance, B) Pull cabinet even with appliance front, which will result in a deeper countertop and overall base cabinet depth dimension

Base Corner Revolving Wood Lazy Susan



10a 10c

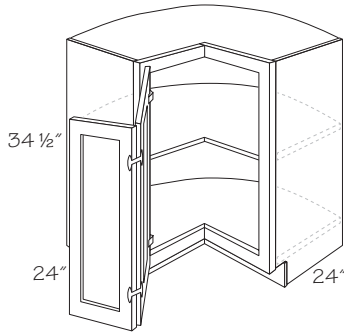
Specify R or L
BCR36WLS R or L



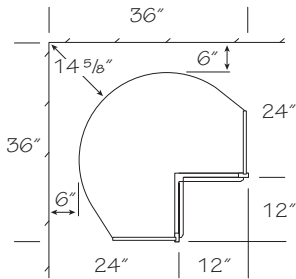
- Two 32" diameter pie-cut revolving wood shelves
 - Shelves rotate independently of doors and each other
 - Shelf load rating of 15 lbs. per square foot, **not** to exceed 50 lbs.
 - Shelf height **cannot** be adjusted
 - Two piece bi-fold door with independent adjustment
 - Use Base End Panel Filler (BEPF3-34) if end is exposed (requires 3" of space)
 - 33" minimum doorway clearance suggested for delivery
 - 168° opening hinges on face frame door
 - Full overlay door style face frame stiles are notched to accept door hinges. Door hinging **cannot** be inverted in field
 - SoftAction hinges are **not** available
 - **Note:** Back panel (barrel) will **not** be plywood when ADT is ordered
- | | |
|-----------|-------------|
| ❖ SST (7) | FDS (10d) |
| ❖ SDT (7) | WT (10d) |
| ● PST (7) | ST (10d) |
| ● PDT (7) | WF (10d) |
| ● ADT (7) | FT (10d) |
| 12 (10b) | DT (10d) |
| 15 (10b) | DF (10d) |
| 18 (10b) | ● CFO (10g) |
| 21 (10b) | ● CSO (10g) |
| HDS (10d) | |

Caution: If cabinet is installed next to an appliance deeper than 25", it may interfere with the cabinet door opening. Options available: A) Use a filler between cabinet and appliance, B) Pull cabinet even with appliance front, which will result in a deeper countertop and overall base cabinet depth dimension

Base Corner Fixed Shelf



Left Hand Hinging shown



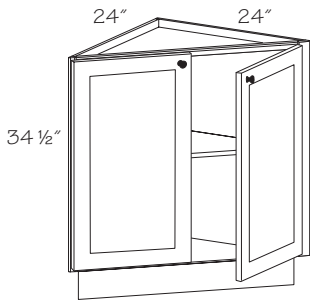
10a 10c
 Specify R or L
BCFS36 R or L

- One fixed, pie-cut shelf in center position (**not** adjustable)
- Two piece bi-fold door with independent adjustment
- 168° opening hinges on face frame door
- Full overlay door style face frame stiles are notched to accept door hinges. Door hinging **cannot** be inverted in field
- Use Base End Panel Filler (BEPF3-34) if end is exposed (requires 3" of space)
- SoftAction hinges are **not** available
- **Note:** Back panel (barrel) will **not** be plywood when ADT is ordered

❖ SST (7)	FDS (10d)
❖ SDT (7)	WT (10d)
● PST (7)	ST (10d)
● PDT (7)	WF (10d)
● ADT (7)	FT (10d)
12 (10b)	DT (10d)
15 (10b)	DF (10d)
18 (10b)	● CFO (10g)
21 (10b)	● CSO (10g)
HDS (10d)	

Caution: If cabinet is installed next to an appliance deeper than 25", it may interfere with the cabinet door opening. Options available:
 A) Use a filler between cabinet and appliance, B) Pull cabinet even with appliance front, which will result in a deeper countertop and overall base cabinet depth dimension

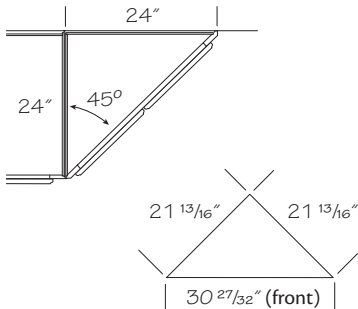
Base Corner Angle Butt Full-Height



10a
BCA24BFH

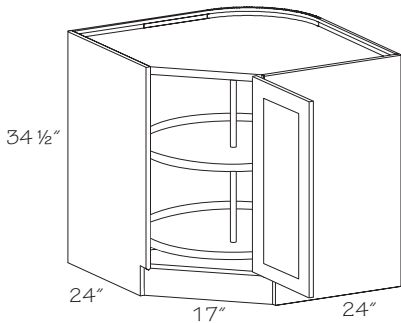
- One adjustable shelf
- Two full-height BUTT doors without a frame center stile
- For use at the right or left end of cabinet run or in a corner

❖ SST (7)	FDS (10d)
❖ SDT (7)	WT (10d)
● PST (7)	ST (10d)
● PDT (7)	WF (10d)
● ADT (7)	FT (10d)
12 (10b)	DT (10d)
15 (10b)	DF (10d)
18 (10b)	● CFO (10g)
21 (10b)	● CSO (10g)
HDS (10d)	



Plan View of Adjustable Shelf

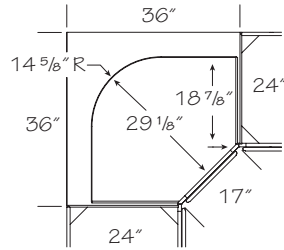
Base Angle Revolving



Right Hand Hinging shown

10a 10c

Specify R or L
BAR36 R or L

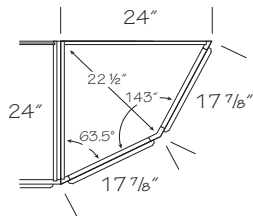
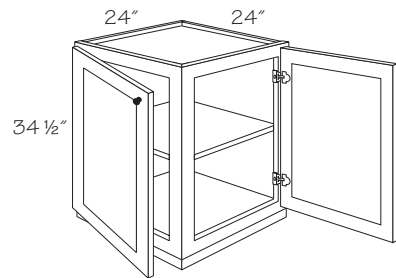


- Two 28" diameter high impact, pie-cut revolving white plastic shelves
- Shelf load rating of 15 lbs. per square foot, **not** to exceed 50 lbs.
- Adjacent cabinets can be installed directly without fillers
- Full overlay door is similar in width to traditional overlay cabinets in order to avoid interference with adjacent cabinet doors. This exposes more of the face frame
- Use Base End Panel Filler (BEPF3-34) if end is exposed (requires 3" of space)
- Requires 36" of wall space in each direction
- 29 1/4" minimum doorway clearance required for delivery with cabinet door removed
- **Note:** Back panel (barrel) will **not** be plywood when ADT is ordered

❖ SST 7	FDS 10d
❖ SDT 7	WT 10d
● PST 7	ST 10d
● PDT 7	WF 10d
● ADT 7	FT 10d
12 10b	DT 10d
15 10b	DF 10d
18 10b	● CFO 10g
21 10b	● CSO 10g
HDS 10d	

Caution: If cabinet is installed next to an appliance deeper than 25", it may interfere with the cabinet door opening. Options available:
 A) Use a filler between cabinet and appliance, B) Pull cabinet even with appliance front, which will result in a deeper countertop and overall base cabinet depth dimension

Base End Corner Full-Height



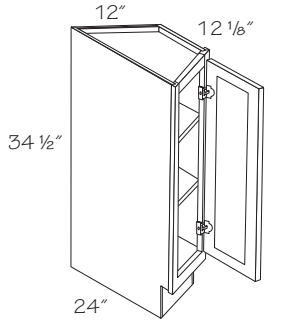
10a

BEC24FH

- One adjustable shelf
- For use at the right or left end of cabinet run or in a corner

❖ SST 7	FDS 10d
❖ SDT 7	WT 10d
● PST 7	ST 10d
● PDT 7	WF 10d
● ADT 7	FT 10d
12 10b	DT 10d
15 10b	DF 10d
18 10b	● CFO 10g
21 10b	● CSO 10g
HDS 10d	

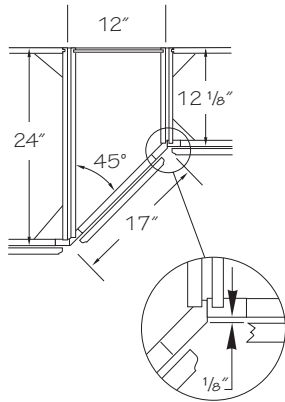
Base End Angle Full-Height



Right Hand hinging shown

⑩a

Specify R or L
BEA12FH R or L



- Two adjustable shelves
- Full and traditional overlay door widths are similar to avoid interference with adjacent cabinet doors. This exposes more of the cabinet face frame
- Specify right or left hand to designate 12" deep orientation
- Designed to transition from 24" deep base cabinet to 12" deep base cabinet
- Actual depth of 12" end is 12 1/8"
- 24" deep end *not* designed to be exposed

❖ SST ⑦	FDS ⑩d
❖ SDT ⑦	WT ⑩d
● PST ⑦	ST ⑩d
● PDT ⑦	WF ⑩d
● ADT ⑦	FT ⑩d
12 ⑩b	DT ⑩d
15 ⑩b	DF ⑩d
18 ⑩b	● CFO ⑩g
21 ⑩b	● CSO ⑩g
HDS ⑩d	

Base Appliance Cabinets

Construction Options and Modifications

- ❖ Included as standard
- Available with an upcharge
- ☆ Available with exceptions

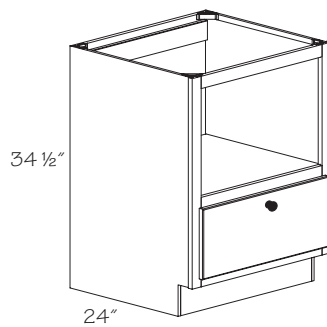
(Blank) **Not** available

10a

BMC24

SST	Construction	-----	7
SDT	Construction	-----	7
PST	Construction	-----	7
PDT	Construction	-----	7
ADT	Construction	-----	7
21	Depth Modification	-----	10b
CFO	Cabinet Front Only	-----	10g
CSO	Case Only	-----	10g

Base Microwave Cabinet



10a

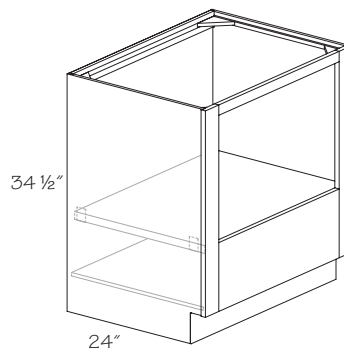
BMC24
BMC27
BMC30

- Matching interior
- 1/2" thick fixed shelf
- Deep bottom drawer with full extension slides
- Designed for countertop style microwaves
- Shelf top surface is 3/16" below face frame rail top edge
- Side mount ball bearing slides used when SST or PST construction is chosen

- ❖ SST 7
- ❖ SDT 7
- PST 7
- PDT 7
- ADT 7
- 21 10b
- CFO 10g
- CSO 10g

Cabinet	Opening Sizes
BMC24	15 7/8" high x 21" wide x 23 15/32" deep
BMC27	15 7/8" high x 24" wide x 23 15/32" deep
BMC30	15 7/8" high x 27" wide x 23 15/32" deep

Base Oven Cabinet Universal



10a

BOCU30
BOCU33

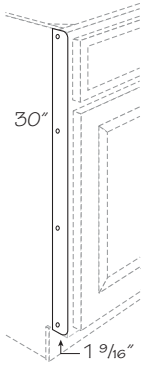
- Designed for under counter mounting of single built-in ovens
- No back panel allowing full access to electrical connections
- Includes an adjustable oven platform supported with heavy-duty metal mounting brackets and screws which install into pre-drilled end panel holes at the four corners
- **Not** available in Hickory door styles
- 1/2" end panels
- 3" wide trimmable vertical stiles provide oven opening width adjustment
- 10" high trimmable horizontal rail along the bottom provides opening height adjustment. May be trimmed to 1 1/2"

- ❖ SST 7
- ❖ SDT 7
- PST 7
- PDT 7
- ADT 7
- 21 10b
- CFO 10g
- CSO 10g

Cabinet	Opening Sizes	
	Minimum Opening	*Maximum Opening
BOCU30	24" wide x 18 1/2" high	28" wide x 28 1/2" high
BOCU33	27" wide x 18 1/2" high	31" wide x 28 1/2" high

* Bottom rail trimmed to 1 1/2" high and top rail removed

Heat Shield

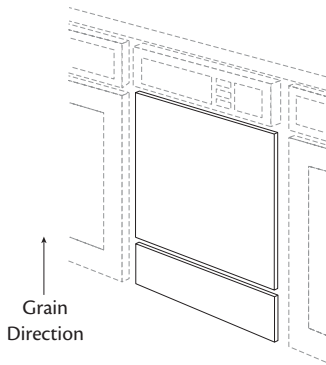


⑩a
HSD

- White epoxy-coated 18 gauge steel shield
- For use on Thermofoil door styles
- Pre-drilled for mounting screws
- Installation instructions and mounting hardware included
- Two per carton

- SST ⑦
- SDT ⑦
- PST ⑦
- PDT ⑦
- ADT ⑦
- 21 ⑩b
- CFO ⑩g
- CSO ⑩g

Dishwasher Panel

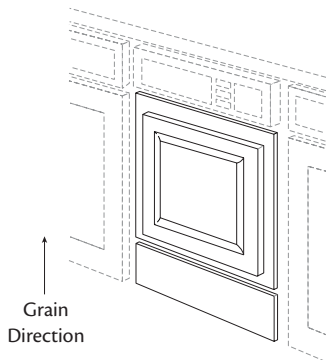


⑩a
DWP
DWP-4

- 5/32" thick veneered plywood panel
- 23 3/4" x 26" high panel
- Provides finished look to dishwasher
- Trimmed to fit installation
- Finished one side only
- Panels with painted finishes are painted hardwood veneered plywood
- Available in all finishes; Maple Accent Glaze shipped standard finish
- Textured Laminate (TL) will be stained or painted plywood
- ☆ Regardless of construction option, model is constructed the same
- Offered individually or four per carton

- ☆ SST ⑦
- ☆ SDT ⑦
- ☆ PST ⑦
- ☆ PDT ⑦
- ☆ ADT ⑦
- 21 ⑩b
- CFO ⑩g
- CSO ⑩g

Decorative Dishwasher Panel

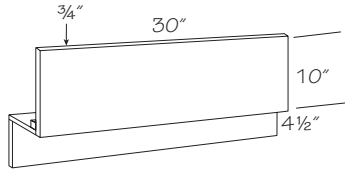


⑩a
DDWP

- 5/32" thick veneered plywood panel
- Provides finished look to dishwasher
- Panel trimmed to fit installation
- **Not** available in Arch door styles
- May weigh up to 10 lbs. depending on door style
- Hardware to mount door to panel included
- Check with dishwasher manufacturers instructions prior to installing panel
- 23 3/4" wide by 26" high panel
- 22 1/8" wide x 16" high door (both traditional and full overlay)
- ☆ Regardless of construction option, model is constructed the same
- One per carton

- ☆ SST ⑦
- ☆ SDT ⑦
- ☆ PST ⑦
- ☆ PDT ⑦
- ☆ ADT ⑦
- 21 ⑩b
- CFO ⑩g
- CSO ⑩g

Drop-In Range Panel



10a
DIP30

- 3/4" thick solid wood panel
- Matching front panel may be trimmed to fit drop-in range
- **Must** be installed between two base cabinets
- Toe kick cover required on exposed sides of toe kick platform
- Available in all finishes; Maple Accent Glaze shipped standard finish
- Available in all painted finishes, which are painted hardwood
- Textured Laminate (TL) will be stained or painted hardwood
- Toespace (toe kick backer) assembly shipped unassembled to floor
- Field trim as needed
- ☆ Regardless of construction option, model is constructed the same

- ☆ SST 7
- ☆ SDT 7
- ☆ PST 7
- ☆ PDT 7
- ☆ ADT 7
- 21 10b
- CFO 10g
- CSO 10g

Base Accessories

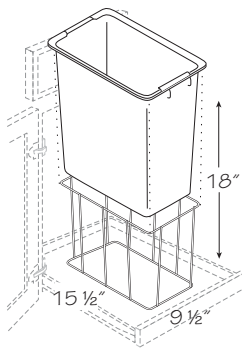
Construction Options and Modifications

- ❖ Included as standard
 - Available with an upcharge
 - ☆ Available with exceptions
- (Blank) **Not** available

CH	Cherry	-----	(2)
HK	Hickory	-----	(2)
MP	Maple	-----	(2)
RO	Red Oak	-----	(2)
TH	Thermofoil	-----	(2)
TL	Textured Laminate	-----	(2)

(10a)
FA3-30

Base Wastebasket Floor Mount Kit Single

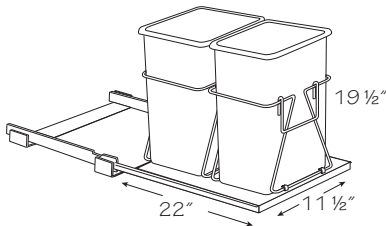


(10a)
BWBFMK

- White epoxy coated wire
- Requires base cabinet roll-out tray in the bottom position, **not** included
- Fits base cabinets 15" or wider
- Includes 30 qt. white plastic bin
- Installation instructions and mounting hardware included
- One per carton

CH	(2)
HK	(2)
MP	(2)
RO	(2)
TH	(2)
TL	(2)

Base Wastebasket Floor Mount Kit Double

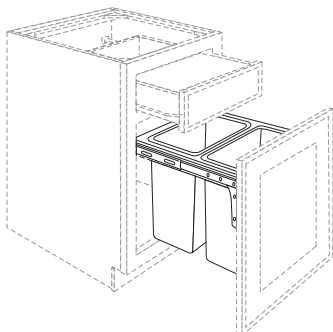


(10a)
BWBFMK-2

- White epoxy coated wire
- Bins mounted on white laminated platform with full extension slides
- 11 1/2" wide pull out, fits minimum 15" single door cabinet or 27" double door cabinet unless cabinet is butt door
- Includes two 27-qt. white plastic bins
- Load rated at 40 lbs.
- Does **not** fit 9" or 12" wide base or 27" wide base with center stile
- Installation instructions and mounting hardware included
- One per carton

CH	(2)
HK	(2)
MP	(2)
RO	(2)
TH	(2)
TL	(2)

Base Wastebasket Top Mount Kit



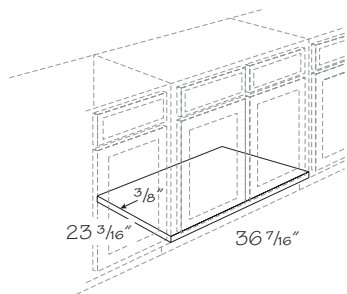
BWBTk18-2 shown

(10a)
BWBTk15
BWBTk18-2

- Fits B15 or B18 cabinets
- BWBTk15 includes one 35 qt. white plastic basket and one 5 1/2" deep white plastic tray for garbage bag storage
- BWBTk18-2 includes two 35 qt. white plastic baskets (no bag storage tray)
- Wastebasket assembly rolls out on full-extension ball-bearing slides
- Hardwood veneer tray supports easily removable basket(s)
- 35 qt. basket is 10 1/2" x 14 5/8" x 18" high
- Installation instructions and mounting hardware included
- One per carton

CH	(2)
HK	(2)
MP	(2)
RO	(2)
TH	(2)
TL	(2)

Sink Front Bottom

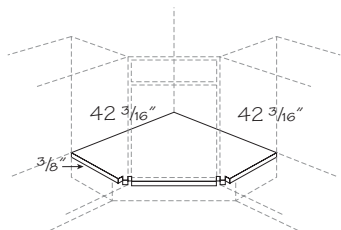


10a
SFB2336

- Designed to be used as an optional cabinet bottom with SF24, SF24B, SF30, SF30B, SF36, SF24FH, SF24BFH, SF30FH, SF30BFH and SF36FH sink fronts
- Fits SF36 and SF36FH without field trimming; field trim to length required for remaining sizes
- 36 7/16" long x 23 3/16" wide
- Easy to clean natural woodgrain laminate on one side; backside unfinished
- 3/8" thick engineered wood core (SST, SDT, PST, PDT)
- 3/8" thick plywood core (ADT)
- Installation screws included
- One per carton

- CH (2)
- HK (2)
- MP (2)
- RO (2)
- TH (2)
- TL (2)

Sink Front Diagonal Bottom

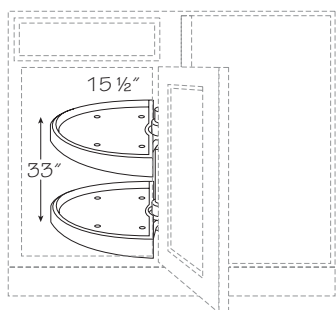


10a
SFDB4242

- Designed to be used as an optional cabinet bottom with SFA36B, SFA36BFH, SFA39 and SFA42 sink fronts
- Fits SFA42 without field trimming; field trim to length required for remaining sizes
- 42 3/16" x 42 3/16"
- Easy to clean natural woodgrain laminate on one side; backside unfinished
- 3/8" thick engineered wood core (SST, SDT, PST, PDT)
- 3/8" thick plywood core (ADT)
- Installation screws included
- One per carton

- CH (2)
- HK (2)
- MP (2)
- RO (2)
- TH (2)
- TL (2)

Base Swing-Out Shelves



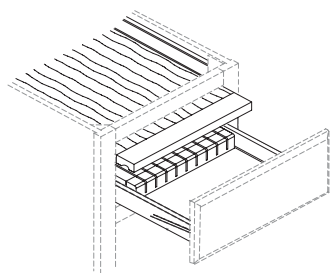
BSOS45 shown

10a
BSOS42
BSOS42-3
BSOS45
BSOS45-3

- For use in Base Blind Corner Cabinets (BBC)
- May be installed for right or left blind application
- Two high-impact white plastic half-moon swing-out shelves
- BSOS42 shelves support up to 38 lbs. and is 31 9/16" x 12 1/2"
- BSOS45 shelves support up to 45 lbs. and is 33" x 15 1/2"
- Bottom shelf pulls out for easy access
- Fixed height shelves attach to center post (included) and rotate independently to 90°
- BSOS42 requires 13 1/4" minimum cabinet opening (BBC42/45)
- BSOS45 requires 16 1/16" minimum cabinet opening (BBC45/48 and BBC48/51)
- Installation instructions and mounting hardware included
- Offered individually or three per carton

- CH (2)
- HK (2)
- MP (2)
- RO (2)
- TH (2)
- TL (2)

Knife Section Cutting Center Kit

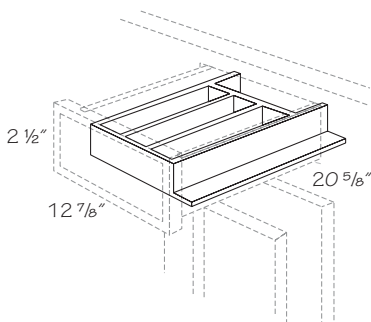


- ⑩a
- KSCCK15** 9 knife slots
 - KSCCK18** 12 knife slots
 - KSCCK21** 15 knife slots
 - KSCCK24** 18 knife slots

- Cutting board **must** be removed for use
- Replaces standard height top drawer
- Requires use of existing cabinet's drawer front
- Includes a 1 5/8" high natural woodgrain laminated engineered wood drawer
- Includes a 3/4" thick removable solid hardwood cutting board that stores above the drawer core
- Cutting board has bread board front and back edges with a full-width finger recess on opposite sides so the board can be reversed
- Cutting board is stored in cabinet using two almond colored epoxy coated metal channels
- Cutting board can be removed without removing drawer. Please follow instructions provided
- Drawer can be pulled out independently from cutting board for convenient drawer access
- Includes a removable drawer insert with a full-width solid hardwood knife holder and cork pad handle rest
- Includes both outer and inner drawer slide members for converting Dovetail full extension drawers to 3/4 extension
- **Not** available with Dovetail hardwood full extension drawer
- Installation instructions and mounting hardware included
- One per carton

- CH** ②
- HK** ②
- MP** ②
- RO** ②
- TH** ②
- TL** ②

Cutlery Divider

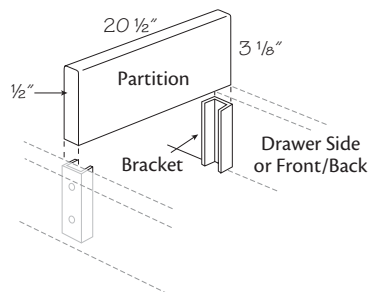


- ⑩a
- CDI18**
 - CDI18-12**

- 1/2" thick engineered wood dividers with Natural woodgrain laminate and matching top edges
- 1/4" thick engineered wood bottom panel with Natural woodgrain laminate on exposed surface
- Clean with a damp cloth only
- Five compartment cutlery organizer for 18" wide cabinets; can be cut down for 15" wide cabinets
- When used in Dovetail hardwood full extension drawer, 1 5/16" must be field cut off back edge
- Offered individually or 12 per carton

- CH** ②
- HK** ②
- MP** ②
- RO** ②
- TH** ②
- TL** ②

Drawer Partition Kit

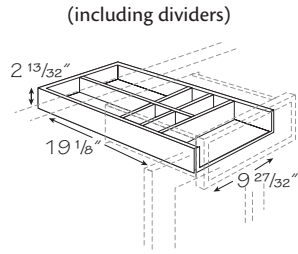


- ⑩a
- DPK**

- Natural finish hardwood
- For use in all drawers; standard, dovetail and Base Deep Tray Kits (BDTK)
- Kit contains two self-adhesive end brackets and one natural finished hardwood divider
- Brackets are clear plastic and include two holes for optional screw attachment to drawer side (screws **not** included)
- Field trim divider to fit
- Installation instructions and mounting hardware included
- One per carton

- CH** ②
- HK** ②
- MP** ②
- RO** ②
- TH** ②
- TL** ②

Drawer Organizer Kit Narrow

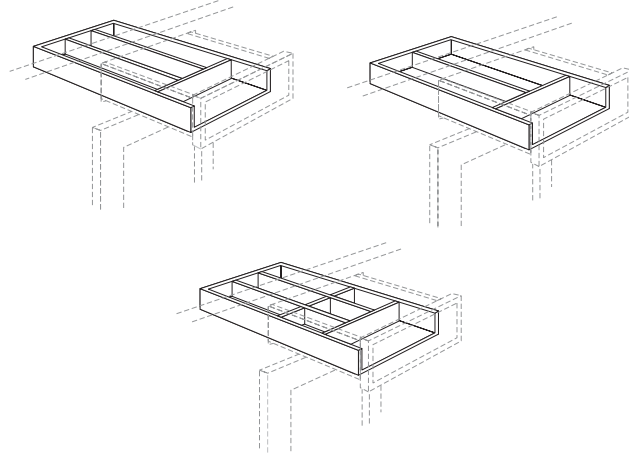


10a
DOKN

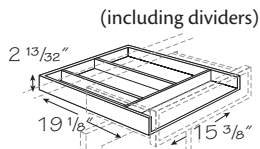
- Natural finish hardwood
- Adjustable drawer organizing system
- Fits B15 and wider standard and dovetail drawers
- Can be used in tandem with another DOKN or DOKW in wider drawers
- DOKN includes:
 - two dividers: 14 17/32" long x 2 1/4" high x 3/8" thick;
 - three dividers: 2 11/16" long x 2 1/4" high x 3/8" thick;
 - four dividers: 4 1/4" long x 2 1/4" high x 3/8" thick
- Installation instructions and mounting hardware included
- One per carton

- CH (2)
- HK (2)
- MP (2)
- RO (2)
- TH (2)
- TL (2)

Suggested layouts are shown



Drawer Organizer Kit Wide

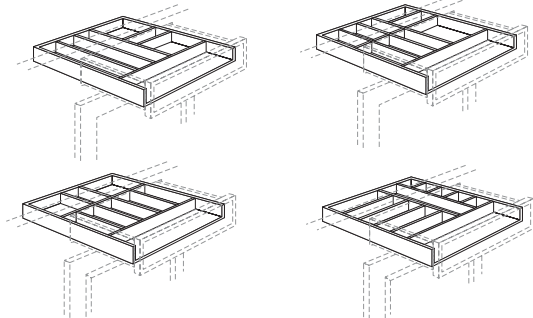


10a
DOKW

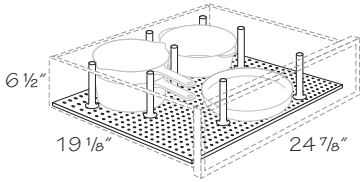
- Natural finish hardwood
- Adjustable drawer organizing system
- Fits B21 and wider standard and dovetail drawers
- Can be used in tandem with another DOKN or DOKW in wider drawers
- DOKW includes:
 - three dividers: 14 17/32" long x 2 1/4" high x 3/8" thick;
 - four dividers: 2 17/32" long x 2 1/4" high x 3/8" thick;
 - two dividers: 5 17/32" long x 2 1/4" high x 3/8" thick;
 - four dividers: 8 17/32" long x 2 1/4" high x 3/8" thick
- Installation instructions and mounting hardware included
- One per carton

- CH (2)
- HK (2)
- MP (2)
- RO (2)
- TH (2)
- TL (2)

Suggested layouts are shown



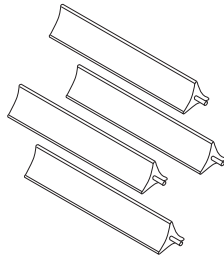
Pegged Deep Drawer Organizer



PDDO30 shown

10a

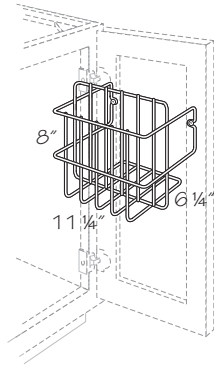
**PDDO30
PDDO36**



- Natural finish hardwood
- For securing pots, pans, plates and other bulky items in deep drawers of cabinets
- Fits standard and dovetail drawers
- PDD030 fits in BD30-3D and BPPS30-2D cabinet deep drawers
Overall dimensions:
24 7/8" wide x 19 1/8" deep x 6 1/2" high including pegs
- PDD036 fits in BD36-3D and BPPS36-2D cabinet deep drawers
Overall dimensions:
30 7/8" wide x 19 1/8" deep x 6 1/2" high including pegs
- Kit includes eight 6" long triangular shaped natural finished solid hardwood pegs with a metal locating pin extended out of one end
- Additional triangular hardwood pegs are available in quantity of 4; order SKU: PDOPK/4CT
- One per carton

- CH (2)
- HK (2)
- MP (2)
- RO (2)
- TH (2)
- TL (2)

Foil Box Rack



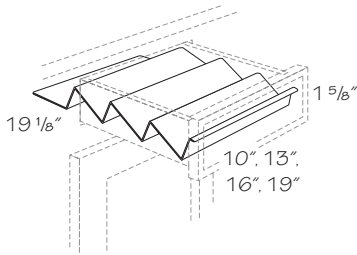
10a

FBRK18

- White epoxy coated wire
- Designed to fit a Sink Base 36 (SB36)
- Installation instructions and mounting hardware included
- One per carton

- CH (2)
- HK (2)
- MP (2)
- RO (2)
- TH (2)
- TL (2)

Spice Drawer Insert Kit



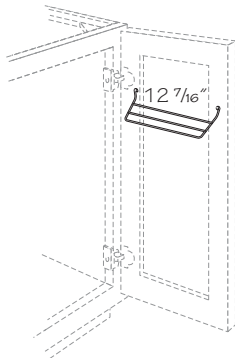
10a

	Height	Width
SDIK15	1 5/8"	10"
SDIK18	1 5/8"	13"
SDIK21	1 5/8"	16"
SDIK24	1 5/8"	19"

- Textured white polymer plastic
- Trimmed to fit installation
- One per carton

- CH (2)
- HK (2)
- MP (2)
- RO (2)
- TH (2)
- TL (2)

Towel Bar



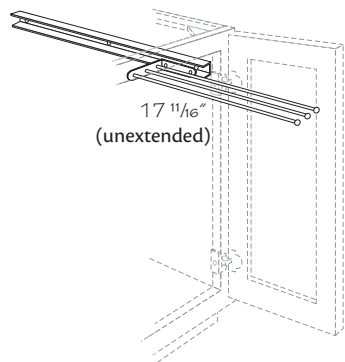
10a

TB

- White epoxy coated wire
- Three 10" long towel bars
- Designed to fit Sink Base (SB33) cabinets or wider
- Installation instructions and mounting hardware included
- One per carton

- CH (2)
- HK (2)
- MP (2)
- RO (2)
- TH (2)
- TL (2)

Sliding Towel Bar - Chrome

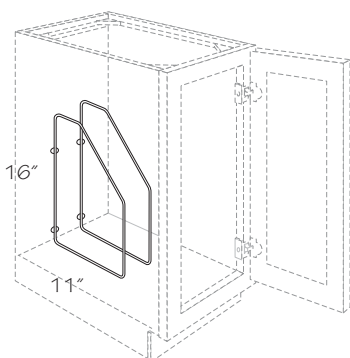


10a
STB

- Three-prong chrome-plated 17" long wire towel bars
- Slides on ball bearing slides
- Designed for sink base or 21" deep vanity bowl cabinets
- Mounts to interior of cabinet side panel
- Installation instructions and mounting hardware included
- One per carton

- CH (2)
- HK (2)
- MP (2)
- RO (2)
- TH (2)
- TL (2)

Wire Tray Divider Kit

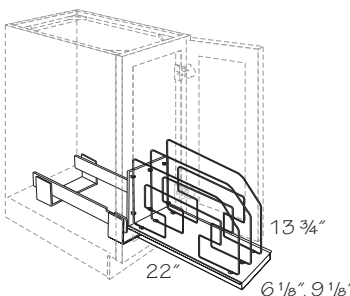


10a
WTDK16
WTDK16-5PR

- White epoxy coated wire
- Installation instructions and mounting hardware included
- Offered as a pair or five pairs per carton

- CH (2)
- HK (2)
- MP (2)
- RO (2)
- TH (2)
- TL (2)

Wire Tray Divider Roll-Out



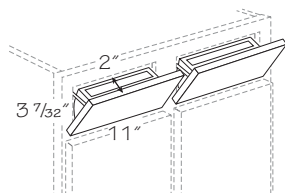
WTDK09 shown

10a
WTDK09 2 partitions
WTDK12 3 partitions

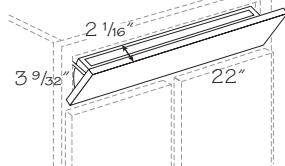
- White epoxy coated wire
- 3/4" extension sides
- For 9" or 12" wide base cabinets
- Load rated at 20 lbs.
- Installation instructions and mounting hardware included
- One per carton

- CH (2)
- HK (2)
- MP (2)
- RO (2)
- TH (2)
- TL (2)

Utility Tray Kit



UTK12



UTK22

10a
UTK12
UTK12-20PR
UTK22
UTK22-20

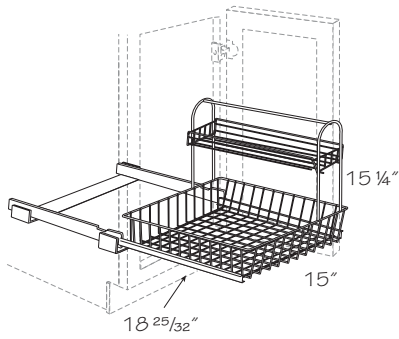
- Removable high-impact white plastic tray installs on backside of drawer front for convenient out-of-sight storage of small items, soap, scouring pads, etc.
- UTK22 fits sink base cabinets 27" through 39" wide
- UTK12 fits sink base cabinets 30" or wider
- Concealed self-closing hinges allow drawer front to tilt down 51° for tray access
- Hinge detent holds drawer front in full open position
- Order decorative hardware separately
- Installation instructions and mounting hardware included
- Offered one pair or 20 per carton

- CH (2)
- HK (2)
- MP (2)
- RO (2)
- TH (2)
- TL (2)



If installing one UTK12 on a 24" or 27" wide sink base, consider utilizing the second tray on the backside for storage

Under Sink Tote

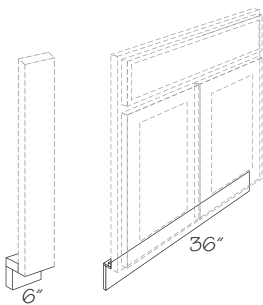


⑩a
UST15

- White epoxy coated wire
- 3/4 extension roll-out assembly mounts to floor of cabinet
- Designed for under sink storage; maximizes space around plumbing fixtures
- Load rated at 20 lbs.
- Installation instructions and mounting hardware included
- One per carton

CH	②
HK	②
MP	②
RO	②
TH	②
TL	②

Toe Kick Backer

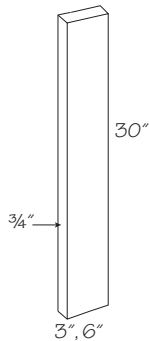


⑩a
TKBK6
TKBK36

- All plywood toeboard backer assembly
- Use in place of engineered wood toeboard backer assembly
- Provides support for matching toe kick cover
- TKBK6 for use with Base Fillers (BF3 and BF6)
- TKBK36 for use with Sink Fronts (SF and SFA) and Drop-in Range Panel (DIP30)
- Field cut to length as required
- Shipped assembled
- **Must** order with All Plywood Construction (ADT)
- One per carton

CH	②
HK	②
MP	②
RO	②
TH	②
TL	②

Base Filler

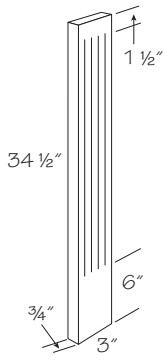


⑩a
BF3
BF6

- 3/4" thick solid wood
- Backside of filler **not** finished
- Available in all finishes; Maple Accent Glaze shipped standard finish
- Available in all painted finishes, which are painted hardwood
- Textured Laminate (TL) will be stained or painted hardwood
- Overlays (OL) available for all full overlay door styles except Fusion. Order separately
- One per carton

❖ CH	②
❖ HK	②
❖ MP	②
❖ RO	②
❖ TH	②
❖ TL	②

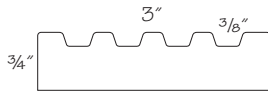
Base Fluted Filler



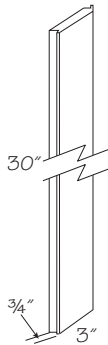
⑩a
BFF3

- Use between cabinets or to create a column effect. Can be combined with other moldings and panels for decorative effects
- Solid wood
- Four flutes
- Backside of filler **not** finished
- Available in all finishes; Maple Accent Glaze shipped standard finish
- Available in all painted finishes, which are painted hardwood
- Textured Laminate (TL) will be stained or painted hardwood
- One per carton

- ❖ CH ②
- ❖ HK ②
- ❖ MP ②
- ❖ RO ②
- ❖ TH ②
- ❖ TL ②



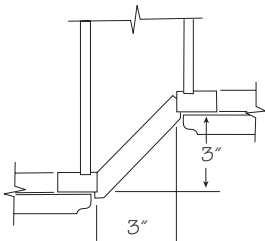
Filler Angle



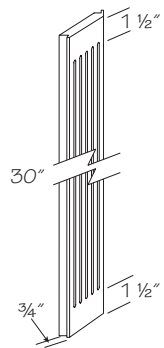
⑩a
FA3-30

- Fills 3" space between cabinets that are offset 3"
- 3/4" thick solid wood
- For right or left hand use
- Backside of filler **not** finished
- Available in all painted finishes, which are painted hardwood
- Available in all finishes; Maple Accent Glaze shipped standard finish
- Textured Laminate (TL) will be stained or painted hardwood
- One per carton

- ❖ CH ②
- ❖ HK ②
- ❖ MP ②
- ❖ RO ②
- ❖ TH ②
- ❖ TL ②



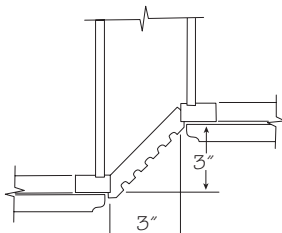
Fluted Filler Angle



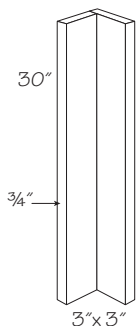
⑩a
FFA3-30

- Fills 3" space between cabinets that are offset 3"
- Five flutes
- 3/4" thick solid wood
- For right or left hand use
- Backside of filler **not** finished
- Available in all painted finishes, which are painted hardwood
- Available in all finishes; Maple Accent Glaze shipped standard finish
- Textured Laminate (TL) will be stained or painted hardwood
- One per carton

- ❖ CH ②
- ❖ HK ②
- ❖ MP ②
- ❖ RO ②
- ❖ TH ②
- ❖ TL ②



Base Filler Corner

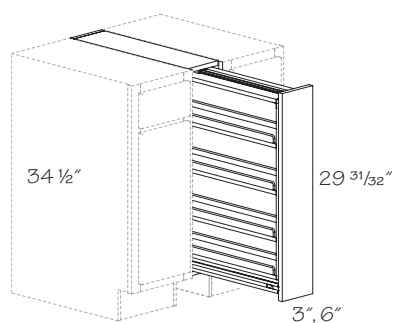


⑩a
BFC3

- Used to provide clearance between cabinets when corner space is **not** used
- 3/4" thick solid wood
- 3" faces
- Backside of filler **not** finished
- Available in all finishes; Maple Accent Glaze shipped standard finish
- Available in all painted finishes, which are painted hardwood
- Textured Laminate (TL) will be stained or painted hardwood
- Shipped assembled
- One per carton

- ❖ CH ②
- ❖ HK ②
- ❖ MP ②
- ❖ RO ②
- ❖ TH ②
- ❖ TL ②

Base Filler Pull-Out

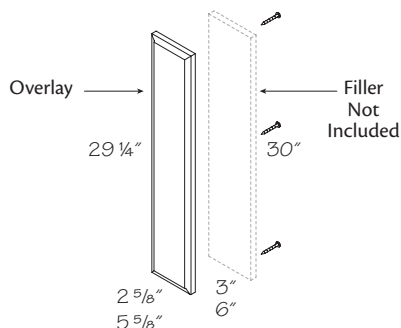


⑩a
BFP3
BFP6

- Three adjustable natural finished hardwood shelves
- 3/4" thick solid wood pre-drilled filler included, shipped unattached
- Wood filler aligns with face frames of adjacent wall cabinets
- Natural finish hardwood interior
- Unit slides on full extension runners; one on the top and two at the bottom
- **Must** be installed between two base cabinets
- Overlays (OL) available for all full overlay door styles except Fusion. Order separately
- Available in all finishes; Maple Accent Glaze shipped standard finish
- Available in all painted finishes, which are painted hardwood
- Textured Laminate (TL) will be stained or painted hardwood
- BFP3:
3" wide pull-out
2 3/4" shelf width
1 3/4" usable space between chrome rails
3 1/16" required between adjacent cabinets
- BFP6:
6" wide pull-out
5 3/4" shelf width
4 3/4" usable space between chrome rails
6 1/16" required between adjacent cabinets

- ❖ CH ②
- ❖ HK ②
- ❖ MP ②
- ❖ RO ②
- ❖ TH ②
- ❖ TL ②

Filler Overlay

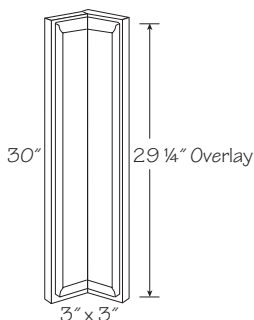


⑩a
OL3-30
OL6-30

- Attaches to 3" or 6" wide filler, **not** included. Order separately
- 3/4" thick with matching profile on all four edges, sized to match door height of adjacent cabinet
- Spacers installed on backside to align with doors of adjacent cabinet
- Mounting hardware included
- Available for all Full Overlay door styles, except Fusion
- Specify door style, specie and finish
- One per carton

- ❖ CH ②
- ❖ HK ②
- ❖ MP ②
- ❖ RO ②
- ❖ TH ②
- ❖ TL ②

Base Filler Corner Overlay

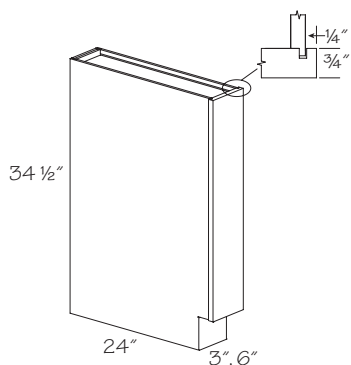


⑩a
BFOLC3

- Used to provide clearance between cabinets when corner space is *not* used
- Designed to align with top of adjacent cabinet drawer fronts and bottom of door
- Overlays are attached and have matching profile top, bottom, and outside vertical edges
- Available for all Full Overlay door styles, except Fusion
- Shipped assembled

❖ CH	②
HK	②
❖ MP	②
❖ RO	②
❖ TH	②
❖ TL	②

Base Box

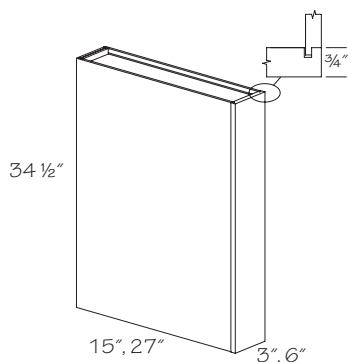


⑩a
BB3-2434
BB6-2434

- Front is 3/4" solid wood
- Finished front and both sides
- End panels are recessed 1/4"
- Vertical wood grain
- May be used on either right or left end
- Available in all finishes; Maple Accent Glaze shipped standard finish
- Painted glazes are shipped as standard finish
- Available in all painted finishes, which are painted hardwood
- Textured Laminate (TL) will be stained or painted hardwood
- All finishes available on Standard Construction (SST, SDT)
- All finishes, except White, available on Plywood ends (PST, PDT)
- **Not** available with All Plywood Construction (ADT)
- One per carton

❖ CH	②
HK	②
❖ MP	②
❖ RO	②
❖ TH	②
❖ TL	②

Base Column

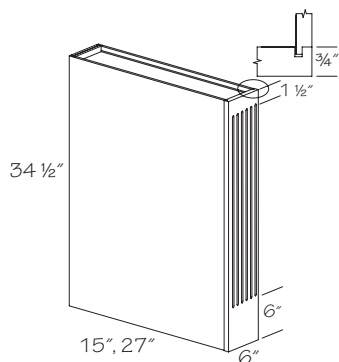


⑩a
15" Deep
BC3-1534
BC6-1534
27" Deep
BC3-2734
BC6-2734

- Front is 3/4" solid wood
- No toe kick
- Finished front and both sides
- Flush end panels
- Vertical wood grain
- May be used on either right or left end
- Available in all finishes; Maple Accent Glaze shipped standard finish
- Textured Laminate (TL) will be stained or painted hardwood
- Available in all painted finishes, which are painted hardwood
- All finishes orderable on Standard Construction (SST, SDT); stain will ship as Plywood Ends (PST, PDT)
- All finishes, except White, available on Plywood ends (PST, PDT)
- **Not** available with All Plywood Construction (ADT)
- One per carton

❖ CH	②
HK	②
❖ MP	②
❖ RO	②
❖ TH	②
❖ TL	②

Base Column Fluted

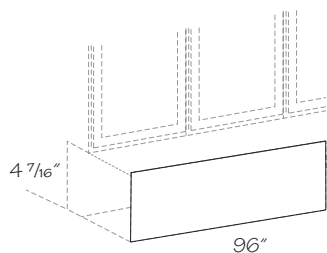


⑩a
15" Deep
BCF6-1534
27" Deep
BCF6-2734

- Front is 3/4" solid wood
- Six flutes
- No toe kick
- Finished front and both sides
- Flush end panels
- Vertical wood grain
- May be used on either right or left end
- Available in all finishes; Maple Accent Glaze shipped standard finish
- Painted glazes are shipped as standard finish
- Textured Laminate (TL) will be stained or painted hardwood
- Available in all painted finishes, which are painted hardwood
- All finishes orderable on Standard Construction (SST, SDT); stain will ship as Plywood Ends (PST, PDT)
- All finishes, except White, available on Plywood ends (PST, PDT)
- **Not** available with All Plywood Construction (ADT)
- One per carton

❖ CH	②
HK	②
❖ MP	②
❖ RO	②
❖ TH	②
❖ TL	②

Toe Kick Cover - Laminate



⑩a

Laminate
1/8" Thick
■TKCL8
■TKCL8-4
Textured Laminate
3/16" Thick
▲TKCL8-TL
▲TKCL8-TL-4

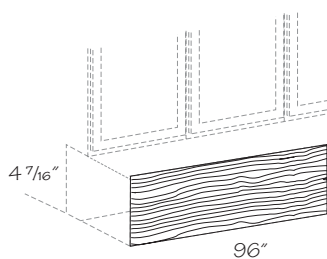
- Available in specie TL; when ordered, model will match frame finish
- ▲ Available in specie TL only; when ordered, model will match door and drawer front laminate

Grey color coding indicates new product, size or code.

- Matching easy clean laminate on one side
- Grain direction runs lengthwise (when applicable)
- Available in all finishes; Maple Accent Glaze shipped standard finish
- Offered individually or four per carton (32 ft.)

- ❖ CH ②
- ❖ HK ②
- ❖ MP ②
- ❖ RO ②
- ❖ TH ②
- ❖ TL ②

Toe Kick Cover - Veneer



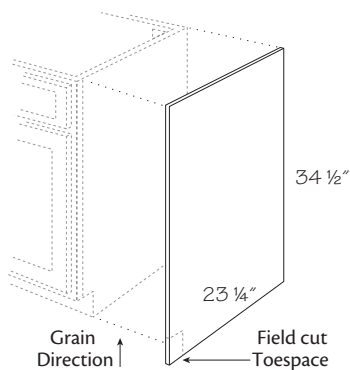
⑩a

5/32" Thick
TKCV8
TKCV8-4

- Matching wood veneer plywood finished on one side, grain direction runs lengthwise
- Available in all finishes; Maple Accent Glaze shipped standard finish
- Available in specie TL; when ordered, model will match frame finish
- **Not** available in White
- Offered individually or four per carton (32 ft.)

- ❖ CH ②
- ❖ HK ②
- ❖ MP ②
- ❖ RO ②
- ❖ TH ②
- ❖ TL ②

Base End Panel



⑩a

Veneer
■BEP
■BEP-6
Textured Laminate
▲BEP-TL
▲BEP-TL-6

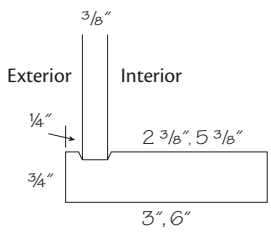
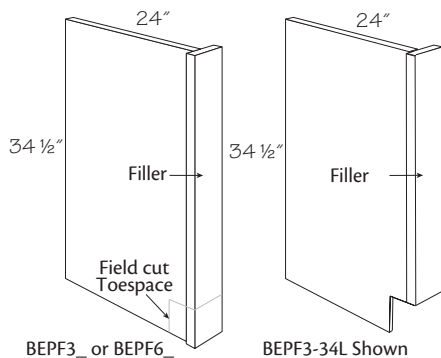
- 5/32" thick veneered plywood panel, except White; grain runs lengthwise; Available in specie TL; when ordered, model will match frame finish; Available in all finishes; Maple Accent Glaze shipped standard finish; Available in all painted finishes, which are painted veneer; 3/16" thick laminate panel for White
- ▲ Available in specie TL only; when ordered, model will match door and drawer front laminate; 3/16" thick Medium Density Fiberboard (MDF) panel, laminated on one side; grain runs lengthwise

Grey color coding indicates new product, size or code.

- Used to trim laminate exposed end of base cabinet
- For right or left hand use
- Toespace notch **must** be field cut
- Offered individually or six per carton

- ❖ CH ②
- ❖ HK ②
- ❖ MP ②
- ❖ RO ②
- ❖ TH ②
- ❖ TL ②

Base End Panel Filler



- 10a
- Solid Wood
 - Field Notched
 - BEPF3-34
 - BEPF3-34-2
 - BEPF6-34
 - Solid Wood
 - Factory Notched
 - Specify R or L
 - BEPF3-34
 - Textured Laminate
 - Field Notched
 - ▲ BEPF3-34-TL
 - ▲ BEPF3-34-TL-2
 - ▲ BEPF6-34-TL

10c

R or L

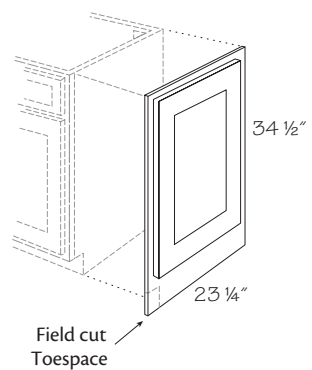
- Available in specie TL; when ordered, model will match frame finish;
- Available in all finishes; Maple Accent Glaze shipped standard finish;
- Available in all painted finishes, which are painted hardwood;
- All finishes available on standard constructions (SST, SDT);
- All finishes, except White, are available on Plywood (PST, PDT) constructions
- ▲ Available in specie TL only; when ordered, model will match door and drawer front laminate;
- Attached filler will be stained or painted hardwood to match frame finish

Grey color coding indicates new product, size or code.

- Used on the end of cabinet run to conceal dishwasher or cap end of BCFS/BCR/BAR/BLS/SFA cabinets
- For right or left hand use, except BEPF3-34R and BEPF3-34L
- Toespace notch **must** be field cut, except for BEPF3-34R and BEPF3-34L
- BEPF3-34 and BEPF3-34-TL offered individually or two per carton
- BEPF3-34R, BEPF3-34L, BEPF6-34, and BEPF6-34-TL offered individually
- BEPF3-34-TL, BEPF3-34-TL-2, and BEPF6-34-TL SDT, PST, PDT, and ADT orderable; shipped as SST

- ❖ CH (2)
- ❖ HK (2)
- ❖ MP (2)
- ❖ RO (2)
- ❖ TH (2)
- ❖ TL (2)

Matching Base End Panel



10a

MBEP2434

- Provides a finished furniture look to 34 1/2" base cabinets
- Includes end panel with decorative door
- For right or left hand use
- Toespace notch **must** be field cut
- 5/32" thick veneered plywood panel, except Arbor Falls II and Whitebay II
- 3/16" thick white laminate panel for Arbor Falls II and Whitebay II
- Available in all door styles and finishes, excluding arch shape
- Traditional overlay doors are 22 1/4" x 28" tall shipped attached to panel
- Full overlay doors are 23 5/8" x 29 1/4" tall shipped unattached to panel. When installed, door overlaps cabinet frame edge to provide matching reveals
- Available in all painted finishes, which are painted hardwood
- One per carton

- ❖ CH (2)
- ❖ HK (2)
- ❖ MP (2)
- ❖ RO (2)
- ❖ TH (2)
- ❖ TL (2)

Notes

Tall Cabinets

Construction Options and Modifications

- ❖ Included as standard
- Available with an upcharge
- ☆ Available with exceptions

(Blank) **Not** available

SST	Construction	-----	⑦
SDT	Construction	-----	⑦
PST	Construction	-----	⑦
PDT	Construction	-----	⑦
ADT	Construction	-----	⑦
09	Depth Modification	-----	⑩b
15	Depth Modification	-----	⑩b
18	Depth Modification	-----	⑩b
21	Depth Modification	-----	⑩b
CFO	Cabinet Front Only	-----	⑩g
CSO	Case Only	-----	⑩g

Note: Standard tall cabinet box depth is 12" or 24" unless stated otherwise. Add door thickness with bumpers for total depth.

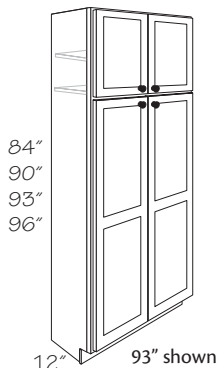
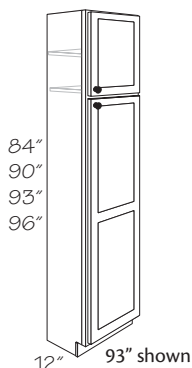
Material dimensions may vary slightly based on lumber industry standards.

Specifications subject to change without notice. Material dimensions may vary slightly based on lumber industry standards.

⑩c
U1884

⑩b
U

Tall Utility Cabinet 12" Deep



⑩a

⑩c

Specify R or L
84" High

- U1584** R or L
- U1884** R or L
- U2484** R or L
- U2484B**
- U3084B**
- U3684B**

90" High

- U1590** R or L
- U1890** R or L
- U2490** R or L
- U2490B**
- U3090B**
- U3690B**

93" High

- U1593** R or L
- U1893** R or L
- U2493** R or L
- U2493B**
- U3093B**
- U3693B**

96" High

- U1596** R or L
- U1896** R or L
- U2496** R or L
- U2496B**
- U3096B**
- U3696B**

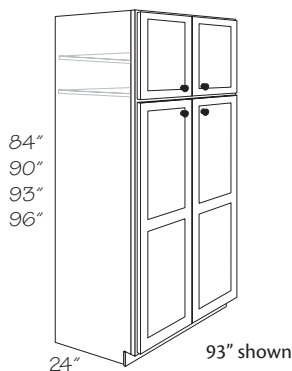
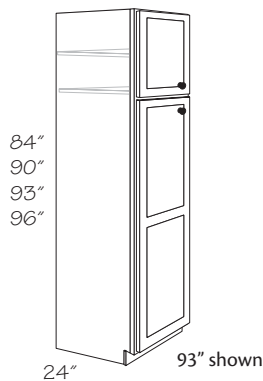
- Fixed shelf between top and bottom section with adjustable shelves in top section: 84" high-no shelves; 90" and 93" high-1 shelf; 96" high-2 shelves
- Cabinets with a "B" suffix have BUTT doors without a center stile
- If arch configuration is required for upper door(s), please specify
- Tall doors are two-piece panel construction except Arbor Falls II, Fusion, Lanielle, Rowan and Whitebay II
- Arbor Falls II and Whitebay II tall doors have a single raised panel profile
- Rowan tall doors have a single recessed panel profile
- 30" and 36" wide cabinets have 3" wide center stile in upper section only
- Interior height of tall section on 84", 93" and 96" tall cabinets is 60 15/16"; 90" tall is 61 7/16"
- 93" and 96" tall cabinets include toe kick platform, shipped unattached
- Toe kick cover required on exposed sides of toe kick platform
- End panels of bottom section are pre-drilled for optional shelves

- ❖ **SST** ⑦
- ❖ **SDT** ⑦
- **PST** ⑦
- **PDT** ⑦
- **ADT** ⑦
- **09** ⑩b
- 15** ⑩b
- 18** ⑩b
- 21** ⑩b
- **CFO** ⑩g
- **CSO** ⑩g



If ordering a 93" or higher unit, consider ordering a tall end panel to give a finished look to the exposed side of the cabinet

Tall Utility Cabinet 24" Deep



⑩a ⑩c

Specify R or L
84" High

U158424 R or L
U188424 R or L
U248424 R or L
U248424B
U308424B
U368424B

90" High
U159024 R or L
U189024 R or L
U249024 R or L

U249024B
U309024B
U369024B

93" High
U159324 R or L
U189324 R or L
U249324 R or L

U249324B
U309324B
U369324B

96" High
U159624 R or L
U189624 R or L
U249624 R or L

U249624B
U309624B
U369624B

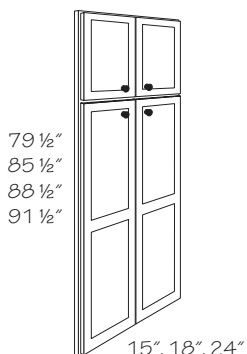
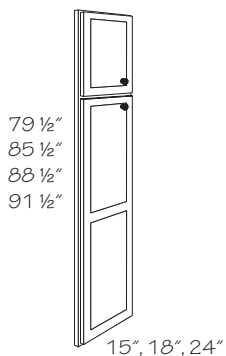
- Fixed shelf between top and bottom section with adjustable shelves in top section: 84" high-no shelves; 90" and 93" high-1 shelf; 96" high-2 shelves
- Cabinets with a "B" suffix have BUTT doors without a center stile
- If arch configuration is required for upper door(s), please specify
- Tall doors are two-piece panel construction except Arbor Falls II, Fusion, Lanielle, Rowan and Whitebay II
- Arbor Falls II and Whitebay II tall doors have a single raised panel profile
- Rowan tall doors have a single recessed panel profile
- 30" and 36" wide cabinets have 3" wide center stile in upper section only
- Interior height of tall section on 84", 93" and 96" tall cabinets is 60 15/16"; 90" tall is 61 7/16"
- 93" and 96" tall cabinets include toe kick platform, shipped unattached
- Toe kick cover required on exposed sides of toe kick platform
- End panels of bottom section are pre-drilled for optional shelves and accessory Tray Kits
- Accessory Tray Kits **not** available when cabinet is reduced to 15" depth

- ❖ SST ⑦
- ❖ SDT ⑦
- PST ⑦
- PDT ⑦
- ADT ⑦
- 09 ⑩b
- 15 ⑩b
- 18 ⑩b
- 21 ⑩b
- CFO ⑩g
- CSO ⑩g



If ordering a 93" or higher unit, consider ordering a tall end panel to give a finished look to the exposed side of the cabinet

Utility Front



⑩a ⑩c

Specify R or L
84" High

UF1584 R or L
UF1884 R or L
UF2484 R or L
UF2484B

90" High
UF1590 R or L
UF1890 R or L
UF2490 R or L
UF2490B

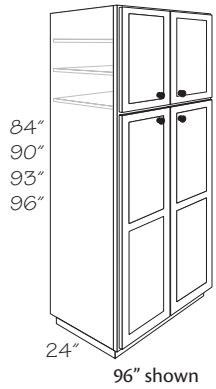
93" High
UF1593 R or L
UF1893 R or L
UF2493 R or L
UF2493B

96" High
UF1596 R or L
UF1896 R or L
UF2496 R or L
UF2496B

- Includes face frame and appropriate hinged doors only
- Cabinets with a "B" suffix have BUTT doors without a center stile
- Tall doors are two-piece panel construction except Arbor Falls II, Fusion, Lanielle, Rowan and Whitebay II
- Arbor Falls II and Whitebay II tall doors have a single raised panel profile
- Rowan tall doors have a single recessed panel profile
- Specify R or L hinging, except for Butt doors
- Does **not** include toespace (toe kick backer) assembly
- ☆ Regardless of construction option, model is constructed the same

- ☆ SST ⑦
- ☆ SDT ⑦
- ☆ PST ⑦
- ☆ PDT ⑦
- ☆ ADT ⑦
- 09 ⑩b
- 15 ⑩b
- 18 ⑩b
- 21 ⑩b
- CFO ⑩g
- CSO ⑩g

Pantry Cabinet Butt Door

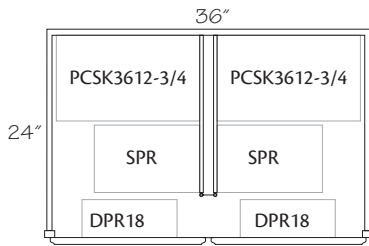


⑩a
PC3684B
PC3690B
PC3693B
PC3696B

- Fixed shelf between top and bottom section with adjustable shelves in top section: 84" high-no shelves; 90" and 93" high-1 shelf; 96" high-2 shelves
- Toe kick cover required on exposed sides of toe kick platform
- Cabinets have BUTT doors without a center stile
- 3" wide center stile in upper section only
- 93" and 96" tall cabinets include toe kick platform, shipped unattached
- If arch configuration is required for upper door(s), please specify
- Tall doors are pre-drilled for Door Pantry Rack (DPR18) installation except Arbor Falls II, Lanielle, and Whitebay II, which require field drilled holes
- Full overlay doors require special hardware for Door Pantry Rack (DPR) installation; included with kit
- Tall doors are two-piece panel construction except Arbor Falls II, Fusion, Lanielle, Rowan and Whitebay II
- Arbor Falls II and Whitebay II tall doors have a single raised panel profile
- Rowan tall doors have a single recessed panel profile
- 1" thick center partition runs full height in bottom section
- End panels and center partition in bottom section are pre-drilled for half-depth adjustable shelves (**not** included)
- Will **not** accept accessory Tray Kits
- Full Pantry Configuration options include: two Pantry Door Racks (DPR18), two Swing Out Pantry Racks (SPR) and two Pantry Cabinet Shelf Kits (PCSK3612-3/4), all items are ordered individually
- Pantry Cabinet can be installed next to a wall or refrigerator. Optional interior racks will function if door opening is restricted to no less than 90°
- Reinforced cabinet bottom

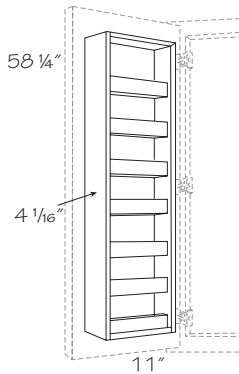
- ❖ SST ⑦
- ❖ SDT ⑦
- PST ⑦
- PDT ⑦
- ADT ⑦
- 09 ⑩b
- 15 ⑩b
- 18 ⑩b
- 21 ⑩b
- CFO ⑩g
- CSO ⑩g

Pantry Cabinet Accessory Configuration



If ordering a 93" or higher unit, consider ordering a tall end panel to give a finished look to the exposed side of the cabinet

Door Pantry Rack

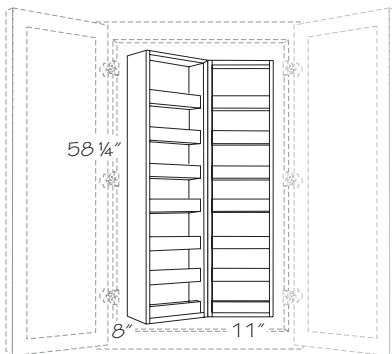


⑩a
DPR18

- Solid, natural finished, hardwood unit, adjustable shelves and fences
- Includes: six adjustable shelves, 12 wire supports and seven 2" high fences
- Rack is designed to support up to 50 lbs. (3 1/2 lbs. per shelf)
- Mounts to backsides of tall doors on all pantry and 18" or 36" wide utility cabinets,
- Pantry and utility doors are pre-drilled except Arbor Falls II, Lanielle, and Whitebay II which **must** be field drilled for mounting Door Pantry Rack
- Full overlay door styles require drilling at the bottom end of rack and special hardware that is included for Door Pantry Rack installation
- ☆ Regardless of construction option, model is constructed the same
- One per carton

- ☆ SST ⑦
- ☆ SDT ⑦
- ☆ PST ⑦
- ☆ PDT ⑦
- ☆ ADT ⑦
- 09 ⑩b
- 15 ⑩b
- 18 ⑩b
- 21 ⑩b
- CFO ⑩g
- CSO ⑩g

Swing-Out Pantry Rack



⑩a
SPR

- Solid, natural finished, hardwood unit, adjustable shelves, fences and wire shelf supports
- Includes: 12 adjustable shelves, 24 wire shelf supports and 14 - 2" high fences
- Rack is designed to support up to 50 lbs., (3 1/2 lbs. per shelf)
- Pantry cabinet is pre-drilled for installation
- Mounting hardware included
- ☆ Regardless of construction option, model is constructed the same
- One per carton

- ☆ SST ⑦
- ☆ SDT ⑦
- ☆ PST ⑦
- ☆ PDT ⑦
- ☆ ADT ⑦
- 09 ⑩b
- 15 ⑩b
- 18 ⑩b
- 21 ⑩b
- CFO ⑩g
- CSO ⑩g

Tall Appliance Cabinets

Construction Options and Modifications

- ❖ Included as standard
- Available with an upcharge
- ☆ Available with exceptions

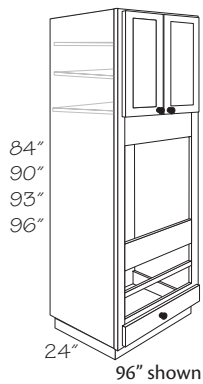
(Blank) **Not** available

10a

OCU2784B

- SST Construction ----- 7
- SDT Construction ----- 7
- PST Construction ----- 7
- PDT Construction ----- 7
- ADT Construction ----- 7
- CFO Cabinet Front Only ----- 10g
- CSO Case Only ----- 10g

Oven Cabinet Universal



10a

- 84" High
- OCU2784B**
- OCU3084**
- OCU3084B**
- OCU3384**
- OCU3384B**
- 90" High
- OCU2790B**
- OCU3090**
- OCU3090B**
- OCU3390**
- OCU3390B**
- 93" High
- OCU2793B**
- OCU3093B**
- OCU3393B**
- 96" High
- OCU2796B**
- OCU3096**
- OCU3096B**
- OCU3396**
- OCU3396B**

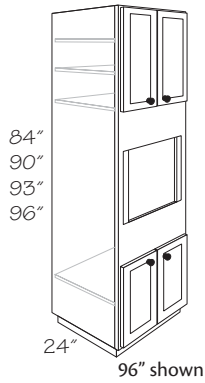
- Fixed shelf between top and bottom section with adjustable shelves in top section: 84" high-no shelves; 90" and 93" high-1 shelf; 96" high-2 shelves
- Three full-width drawer openings at bottom
- Includes one full-width drawer. Order additional drawer(s) as needed. See Oven Drawer Kit (ODK)
- Cabinets with a "B" suffix have BUTT doors without a center stile
- Face-mounted door hinges provide matching frame reveals
- Center section accommodates single and double ovens by trimming or removing horizontal cross rails
- 3" wide, trimmable stiles provide opening width adjustment for painted finishes and White or Textured laminate. All other finishes have 1 1/2" wide removable, trimmable vertical stiles for easy adjustment
- Face frame rails are attached to stiles with screws on the back side for easy removal
- 93" and 96" tall cabinets include toe kick platform, shipped unattached
- Toe kick cover required on exposed sides of toe kick platform
- Includes adjustable 1" thick engineered wood oven platform with heavy-duty mounting brackets and screws that install into pre-drilled end panel holes. Order additional support platform kits as needed. See Oven Cabinet Shelf Platform (OCSP)
- See Cabinet Specifications and Options for oven cutout dimensions
- All Plywood Construction (ADT) platform is 1" thick plywood with natural maple laminate on both sides

- ❖ SST 7
- ❖ SDT 7
- PST 7
- PDT 7
- ADT 7
- CFO 10g
- CSO 10g



If ordering a 93" or higher unit, consider ordering a tall end panel to give a finished look to the exposed side of the cabinet

Oven Cabinet Single



- ⑩a
- 84" High
OCS2784B
OCS3084
OCS3084B
OCS3384
OCS3384B
- 90" High
OCS2790B
OCS3090
OCS3090B
OCS3390
OCS3390B
- 93" High
OCS2793B
OCS3093B
OCS3393B
- 96" High
OCS2796B
OCS3096
OCS3096B
OCS3396
OCS3396B

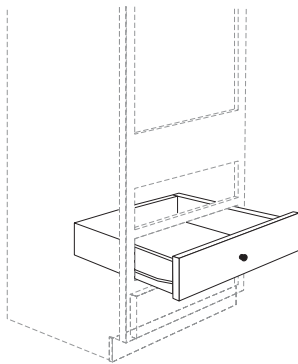
- Fixed shelf between top and bottom section with adjustable shelves in top section: 84" high-no shelves; 90" and 93" high-1 shelf; 96" high-2 shelves
- See Cabinet Specifications and Options for oven cutout dimensions
- One adjustable shelf in bottom section
- Cabinets with a "B" suffix have BUTT doors without a center stile
- Cabinet doors are: 5 1/2" shorter on top than the bottom for 84" high cabinets, are equal height on 90" high cabinets, 3 1/2" taller on top than the bottom for 93" high cabinets and are 6 1/2" taller on top than the bottom for 96" high cabinets
- If arch configuration is required for upper door(s), please specify
- Center section accommodates single ovens
- 3" wide, trimmable stiles provide opening width adjustment for painted finishes and White or Textured laminate. All other finishes have 1 1/2" wide removable, trimmable vertical stiles for easy adjustment
- 93" and 96" tall cabinets include toe kick platform, shipped unattached
- Toe kick cover required on exposed sides of toe kick platform
- Includes adjustable 1" thick engineered wood oven platform with heavy-duty mounting brackets and screws that install into pre-drilled end panel holes. Order additional support platform kits as needed. See Oven Cabinet Shelf Platform (OCSP)

- ❖ SST ⑦
- ❖ SDT ⑦
- PST ⑦
- PDT ⑦
- ADT ⑦
- CFO ⑩g
- CSO ⑩g



If ordering a 93" or higher unit, consider ordering a tall end panel to give a finished look to the exposed side of the cabinet

Oven Drawer Kit

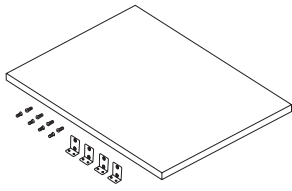


- ⑩a
- ODK27**
ODK30
ODK33

- Available in all door styles
- Kit includes:
 1 drawer front
 1 drawer core
 Guides and all mounting hardware

- ❖ SST ⑦
- ❖ SDT ⑦
- ❖ PST ⑦
- ❖ PDT ⑦
- ❖ ADT ⑦
- CFO ⑩g
- CSO ⑩g

Oven Cabinet Support Platform



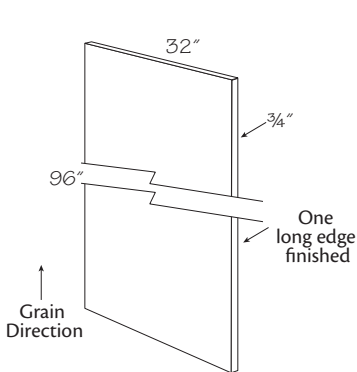
⑩a
OCSP27
OCSP30
OCSP33

Item	Width	Depth
OCSP27	25 1/4"	22 7/16"
OCSP30	28 1/4"	22 7/16"
OCSP33	31 1/4"	22 7/16"

- For installing second appliance in Oven Cabinet Universal (OCU); shelf platform and hardware same as included with OCU
- 1" thick engineered wood for SST, SDT, PST, and PDT
- All Plywood Construction (ADT) platform is 1" thick plywood with natural woodgrain laminate on both sides
- ☆ SDT, PST and PDT orderable; shipped as SST
- Includes four heavy-duty metal mounting brackets and eight screws which install into pre-drilled holes in cabinet end panels
- One per carton

- ❖ SST ⑦
- ☆ SDT ⑦
- ☆ PST ⑦
- ☆ PDT ⑦
- ADT ⑦
- CFO ⑩g
- CSO ⑩g

Refrigerator End Panel



⑩a
 Veneer
■ REP3296
 Texture Laminate
▲ REP3296-TL

- 3/4" thick engineered wood core (SST, SDT, PST, PDT); 3/4" thick plywood core (ADT); Vertical grain, both sides and edge banded on one long edge; Available in all painted finishes, which are painted hardwood; Available in specie TL; when ordered, model will match frame finish; SST, PST, and PDT orderable; shipped as SST
- ▲ 3/4" thick Medium Density Fiberboard (MDF) core; Available in specie TL only; when ordered, model will match door and drawer front laminate; Textured Laminate (TL) both sides and edge banded on one long edge; SDT, PST, PDT, and ADT orderable; shipped as SST

Grey color coding indicates new product, size or code.

- Use next to refrigerator to conceal side, also supports 24" deep wall cabinet over refrigerator
- One per carton

- ❖ SST ⑦
- ☆ SDT ⑦
- ☆ PST ⑦
- ☆ PDT ⑦
- ADT ⑦
- CFO ⑩g
- CSO ⑩g

Tall Accessories

Construction Options and Modifications

- ❖ Included as standard
- Available with an upcharge
- ☆ Available with exceptions

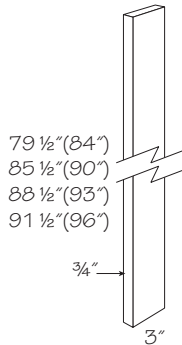
(Blank) **Not** available

10a

MTEP2496

CH	Cherry	-----	②
HK	Hickory	-----	②
MP	Maple	-----	②
RO	Red Oak	-----	②
TH	Thermofoil	-----	②
TL	Textured Laminate	-----	②

Tall Filler



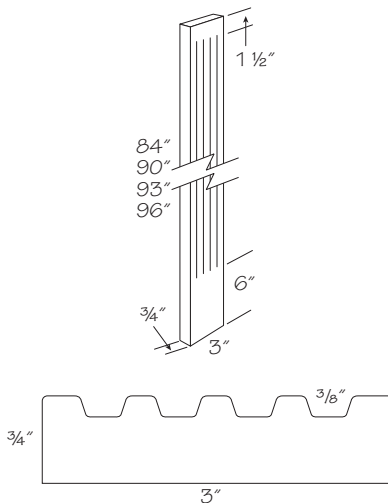
10a

TF3-84
TF3-90
TF3-93
TF3-96

- 3/4" thick solid wood
- Available in all finishes; Maple Accent Glaze shipped standard finish
- Available in all painted finishes, which are painted hardwood
- Textured Laminate (TL) will be stained or painted hardwood
- Backside of filler **not** finished
- One per carton

❖	CH	②
❖	HK	②
❖	MP	②
❖	RO	②
❖	TH	②
❖	TL	②

Tall Fluted Filler



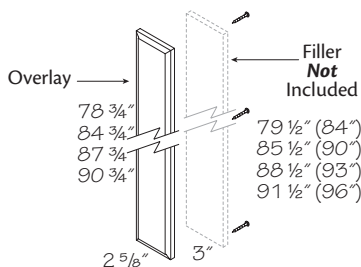
10a

TFF3-84
TFF3-90
TFF3-93
TFF3-96

- Solid wood
- Four flutes
- Backside of filler **not** finished
- Available in all finishes; Maple Accent Glaze shipped standard finish
- Available in all painted finishes, which are painted hardwood
- Textured Laminate (TL) will be stained or painted hardwood
- One per carton

❖	CH	②
❖	HK	②
❖	MP	②
❖	RO	②
❖	TH	②
❖	TL	②

Filler Overlay



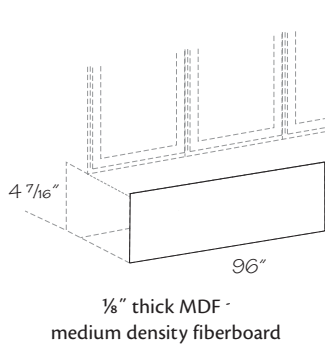
10a

OL3-84
OL3-90
OL3-93
OL3-96

- Attaches to 3" or 6" wide filler, **not** included. Order separately
- 3/4" thick with matching profile on all four edges, sized to match door height of adjacent cabinet
- Available for all Full Overlay door styles, except Fusion
- Spacers installed on backside to align with doors of adjacent cabinet
- Mounting hardware included
- Specify door style, specie and finish
- One per carton

❖	CH	②
	HK	②
❖	MP	②
❖	RO	②
❖	TH	②
❖	TL	②

Toe Kick Cover - Laminate



⑩a

Laminate
1/8" Thick
■TKCL8
■TKCL8-4
Textured Laminate
3/16" Thick
▲TKCL8-TL
▲TKCL8-TL-4

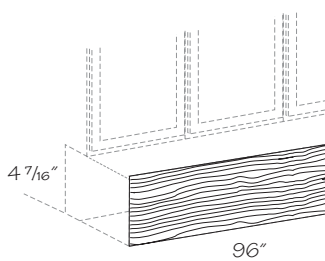
- Available in specie TL; when ordered, model will match frame finish
- ▲ Available in specie TL only; when ordered, model will match door and drawer front laminate

Grey color coding indicates new product, size or code.

- Matching easy clean laminate on one side
- Grain direction runs lengthwise (when applicable)
- Available in all finishes; Maple Accent Glaze shipped standard finish
- Offered individually or four per carton (32 ft.)

- ❖ CH (2)
- ❖ HK (2)
- ❖ MP (2)
- ❖ RO (2)
- ❖ TH (2)
- ❖ TL (2)

Toe Kick Cover - Veneer



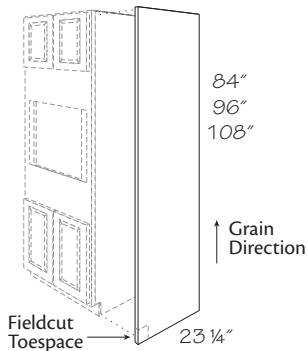
⑩a

5/32" Thick
TKCV8
TKCV8-4

- Matching wood veneer plywood finished on one side, grain direction runs lengthwise
- Available in all finishes; Maple Accent Glaze shipped standard finish
- Available in specie TL; when ordered, model will match frame finish
- **Not** available in White
- Offered individually or four per carton (32 ft.)

- ❖ CH (2)
- ❖ HK (2)
- ❖ MP (2)
- ❖ RO (2)
- ❖ TH (2)
- ❖ TL (2)

Tall End Panel



⑩a

Veneer
■TEP84
■TEP84-2
■TEP96
■TEP96-2
■TEP108
■TEP108-2
Textured Laminate
▲TEP84-TL
▲TEP84-TL-2
▲TEP96-TL
▲TEP96-TL-2

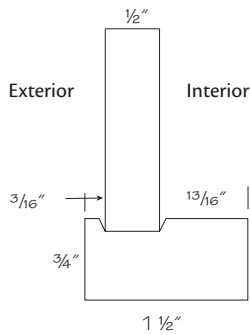
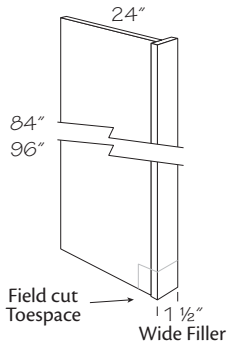
- 5/32" thick veneered plywood panel, except White, finished on one side; grain runs lengthwise; Available in specie TL; when ordered, model will match frame finish; 3/16" thick laminate frontside and unfinished backside or White; Available in all painted finishes, which are painted hardwood
- ▲ Available in specie TL only; when ordered, model will match door and drawer front laminate; 5/32" thick MDF panel, laminated on one side; grain runs lengthwise

Grey color coding indicates new product, size or code.

- Optional panel used to trim laminate exposed end of tall cabinet
- Can also be used as decorative panel on doors of side by side refrigerator where trim kits from the refrigerator manufacturer are available
- For right or left hand use
- Toospace notch **must** be field cut
- Trimmed to fit installation
- Offered individually or two per carton

- ❖ CH (2)
- ❖ HK (2)
- ❖ MP (2)
- ❖ RO (2)
- ❖ TH (2)
- ❖ TL (2)

Tall End Panel Filler



⑩a

Solid Wood

■ **TEPF1-84**
■ **TEPF1-96**

Textured Laminate

▲ **TEPF1-84-TL**
▲ **TEPF1-96-TL**

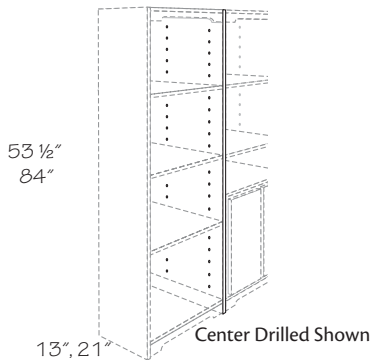
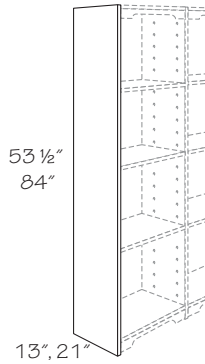
- Available in specie TL; when ordered, model will match frame finish; 1/2" thick plywood panel with matching veneer finish, except White; 1/2" thick matching laminate on both sides for White and Texture Laminate (TL); Available in all finishes, except Maple Accent Glaze shipped standard finish; Available in all painted finishes, which are painted hardwood
- ▲ Available in specie TL only; when ordered, model will match door and drawer front laminate; Attached filler will be stained or painted hardwood to match frame finish

Grey color coding indicates new product, size or code.

- Use next to refrigerator to conceal side, also supports 24" deep wall cabinet over refrigerator
- Toespace notch **must** be field cut
- TEPF1-84-TL and TEPF1-96-TL SDT, PST, PDT and ADT orderable; shipped as SST
- One per carton

- ❖ CH ②
- ❖ HK ②
- ❖ MP ②
- ❖ RO ②
- ❖ TH ②
- ❖ TL ②

Furniture End Panels



⑩a

Not Center Drilled

FEP1353
FEP1384
FEP2153
FEP2184

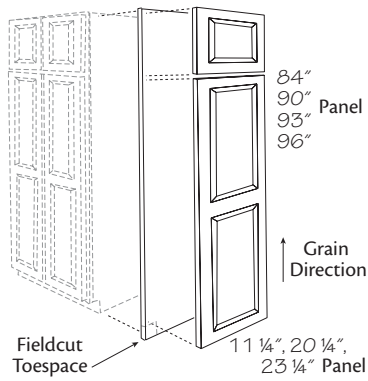
Center Drilled

FEP1353CE
FEP1384CE

- 3/4" thick engineered wood
- Front and back edges finished
- Furniture End Panels are bored one side for adjustable shelves, tops, bottoms, hanger rails and valances, while Center Furniture End Panels are bored both sides
- 53 1/2" Furniture Panels are for mounting on desk cabinets or panels and can be trimmed to 48" for mounting on kitchen base cabinets
- 84" Furniture Panels are for floor mounted installation
- Available in all finishes, except Maple Accent Glaze shipped standard finish
- Cherry, Hickory, Maple, and Oak have wood veneer surfaces, except for painted finishes
- Painted or Stained engineered wood supplied for laminate door styles
- Painted finishes have matching laminate surfaces
- **Not** available in All Plywood Construction (ADT)
- One per carton

- ❖ CH ②
- ❖ HK ②
- ❖ MP ②
- ❖ RO ②
- ❖ TH ②
- ❖ TL ②

Matching Tall End Panel



10a

- 84" High
MTEP1284
MTEP2184
MTEP2484
- 90" High
MTEP1290
MTEP2190
MTEP2490
- 93" High
MTEP1293
MTEP2193
MTEP2493
- 96" High
MTEP1296
MTEP2196
MTEP2496

Panel Size		
Item	Width	Height
MTEP1284	11 1/4"	84"
MTEP1290	11 1/4"	90"
MTEP1293	11 1/4"	93"
MTEP1296	11 1/4"	96"
MTEP2184	20 1/4"	84"
MTEP2190	20 1/4"	90"
MTEP2193	20 1/4"	93"
MTEP2196	20 1/4"	96"
MTEP2484	23 1/4"	84"
MTEP2490	23 1/4"	90"
MTEP2493	23 1/4"	93"
MTEP2496	23 1/4"	96"

- Provides a finished furniture look to Oven Cabinet Single (OCS), Oven Cabinet Universal (OCU), Pantry Cabinet (PC), Utility Cabinet (UC) and Vanity Linen Tall (VLC) cabinet ends
- For right or left hand use
- 5/32" thick plywood panel with one short and one tall decorative door, except Arbor Falls II and Whitebay II
- 3/16" thick White laminate panel with one short and one tall decorative door for Arbor Falls II and Whitebay II
- 5/32" thick painted or stained veneer panel with one short and one tall decorative door for Lanielle.
- If arch configuration is required for upper door(s), please specify
- All full overlay door styles overlap cabinet frame to match reveals
- Toespace notch **must** be field cut
- Doors and panel are shipped separately; field assembly required
- Available in all door style and finishes; Maple Accent Glaze is available in square door styles only

- ❖ CH 2
- ❖ HK 2
- ❖ MP 2
- ❖ RO 2
- ❖ TH 2
- ❖ TL 2

Vanity Cabinets

Construction Options and Modifications

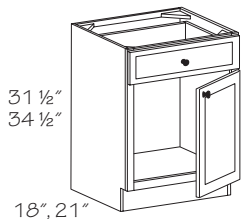
- ❖ Included as standard
- Available with an upcharge
- ☆ Available with exceptions

(Blank) **Not** available

SST Construction	-----	(7)
SDT Construction	-----	(7)
PST Construction	-----	(7)
PDT Construction	-----	(7)
ADT Construction	-----	(7)
09 Depth Modification	-----	(10b)
12 Depth Modification	-----	(10b)
15 Depth Modification	-----	(10b)
CFO Cabinet Front Only	-----	(10g)
CSO Case Only	-----	(10g)

(10a) (10c)
VB12 **L**

Vanity Base Single Door



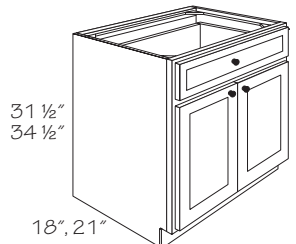
(10a)	(10c)	(10a)	(10c)
Specify R or L 18" Deep 31 1/2" High		Specify R or L 21" Deep 31 1/2" High	
■ VB1218 R or L		■ VB12 R or L	
■ VB1518 R or L		■ VB15 R or L	
■ VB1818 R or L		■ VB18 R or L	
■ VB2118 R or L		■ VB21 R or L	
■ VB2418 R or L		■ VB24 R or L	
34 1/2" High		34 1/2" High	
■ VB123518 R or L		■ VB1235 R or L	
■ VB153518 R or L		■ VB1535 R or L	
■ VB183518 R or L		■ VB1835 R or L	
■ VB213518 R or L		■ VB2135 R or L	
■ VB243518 R or L		■ VB2435 R or L	

■ Depth modification options are **not** available
 Grey color coding indicates new product, size or code.

- Standard height top drawer
- Back is pre-drilled for optional bottom and mid-height accessory Tray Kits. See tray availability charts in the Trays section
- **Note:** When depth is reduced to 12" or 15", drawers become a false drawer front

- ❖ **SST** (7)
- ❖ **SDT** (7)
- **PST** (7)
- **PDT** (7)
- **ADT** (7)
- **09** (10b)
- **12** (10b)
- **15** (10b)
- **CFO** (10g)
- **CSO** (10g)

Vanity Base Double Door



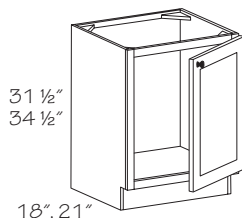
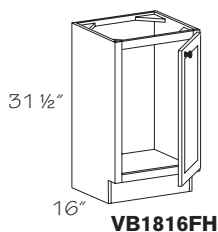
(10a)	(10a)
18" Deep 31 1/2" High	21" Deep 31 1/2" High
■ VB2418B	■ VB24B
34 1/2" High	34 1/2" High
■ VB243518B	■ VB2435B

■ Depth modification options are **not** available
 Grey color coding indicates new product, size or code.

- Standard height top drawer
- Cabinets have BUTT doors without a center stile
- Back is pre-drilled for optional bottom and mid-height accessory Tray Kits. See tray availability charts in the Trays section
- **Note:** When depth is reduced to 12" or 15", drawers become a false drawer front

- ❖ **SST** (7)
- ❖ **SDT** (7)
- **PST** (7)
- **PDT** (7)
- **ADT** (7)
- **09** (10b)
- **12** (10b)
- **15** (10b)
- **CFO** (10g)
- **CSO** (10g)

Vanity Base Single Door Full-Height



⑩a

Specify R or L
16" Deep
31 1/2" High

- **VB1816FH** R or L
- 18" Deep
31 1/2" High
- **VB1818FH** R or L
- **VB2118FH** R or L
- **VB2418SFH** R or L
- 34 1/2" High
- **VB183518FH** R or L
- **VB213518FH** R or L
- **VB243518SFH** R or L

⑩c

⑩a

Specify R or L
21" Deep
31 1/2" High

- **VB18FH** R or L
- **VB21FH** R or L
- **VB24SFH** R or L
- 34 1/2" High
- **VB1835FH** R or L
- **VB2135FH** R or L
- **VB2435SFH** R or L

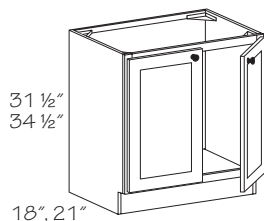
⑩c

- Back is pre-drilled for optional bottom and mid-height accessory Tray Kits. See tray availability charts in the Trays section
- Accessory tray kits **not** available for VB1816FH

- ❖ **SST** ⑦
- ❖ **SDT** ⑦
- **PST** ⑦
- **PDT** ⑦
- **ADT** ⑦
- 09 ⑩b
- 12 ⑩b
- 15 ⑩b
- **CFO** ⑩g
- **CSO** ⑩g

■ Depth modification options are **not** available
Grey color coding indicates new product, size or code.

Vanity Base Double Door Full-Height



⑩a

18" Deep
31 1/2" High

- **VB2418FH**
- **VB2418BFH**
- **VB2718BFH**
- **VB3018FH**
- **VB3018BFH**
- **VB3318FH**
- **VB3318BFH**
- **VB3618FH**
- **VB3618BFH**
- **VB3918FH**
- **VB4218FH**
- 34 1/2" High
- **VB243518BFH**
- **VB273518BFH**
- **VB303518FH**
- **VB303518BFH**
- **VB333518FH**
- **VB333518BFH**
- **VB363518FH**
- **VB363518BFH**
- **VB393518FH**
- **VB423518FH**

⑩a

21" Deep
31 1/2" High

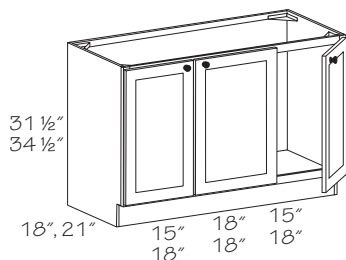
- **VB24FH**
- **VB24BFH**
- **VB27BFH**
- **VB30FH**
- **VB30BFH**
- **VB33FH**
- **VB33BFH**
- **VB36FH**
- **VB36BFH**
- **VB39FH**
- **VB42FH**
- 34 1/2" High
- **VB2435BFH**
- **VB2735BFH**
- **VB3035FH**
- **VB3035BFH**
- **VB3335FH**
- **VB3335BFH**
- **VB3635FH**
- **VB3635BFH**
- **VB3935FH**
- **VB4235FH**

- Cabinets with a "B" suffix have BUTT doors without a center stile
- Back is pre-drilled for optional bottom and mid-height accessory Tray Kits. See tray availability charts in the Trays section
- Accessory tray kits **not** available for VB39FH and VB3935FH

- ❖ **SST** ⑦
- ❖ **SDT** ⑦
- **PST** ⑦
- **PDT** ⑦
- **ADT** ⑦
- 09 ⑩b
- 12 ⑩b
- 15 ⑩b
- **CFO** ⑩g
- **CSO** ⑩g

■ Depth modification options are **not** available
Grey color coding indicates new product, size or code.

Vanity Base Three Door Full-Height



⑩a

18" Deep
31 1/2" High

- **VB4818FH**
- **VB5418FH**
- 34 1/2" High
- **VB483518FH**
- **VB543518FH**

⑩a

21" Deep
31 1/2" High

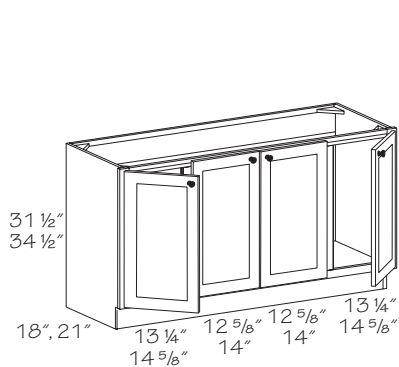
- **VB48FH**
- **VB54FH**
- 34 1/2" High
- **VB4835FH**
- **VB5435FH**

■ Depth modification options are **not** available
Grey color coding indicates new product, size or code.

- Middle door on 48" cabinets is 3" wider than outer doors
- Center door is hinged right
- 54" cabinets have three equal size doors
- Back is pre-drilled for optional bottom and mid-height accessory Tray Kits that fit behind outer doors. See tray availability charts in the Trays section
- Back panel of VB5435FH and VB543518FH is pre-drilled for accessory roll-out trays that fit behind the center door

- ❖ **SST** ⑦
- ❖ **SDT** ⑦
- **PST** ⑦
- **PDT** ⑦
- **ADT** ⑦
- 09 ⑩b
- 12 ⑩b
- 15 ⑩b
- **CFO** ⑩g
- **CSO** ⑩g

Vanity Base Four Door Full-Height



10a

18" Deep
 31 1/2" High

■ VB6018FH

34 1/2" High

■ VB603518FH

21" Deep
 31 1/2" High

VB60FH

34 1/2" High

VB6035FH

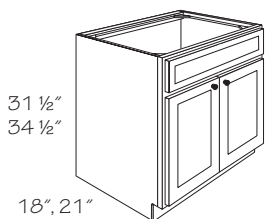
■ Depth modification options are **not** available

Grey color coding indicates new product, size or code.

- Actual cabinet width is 59 1/2", traditional overlay cabinet frame stiles are extended and may be trimmed a maximum of 1/2" each to a cabinet width of 58 1/2"
- Traditional overlay inner doors are 12 5/8" wide and outer doors are 13 1/4" wide. Full overlay inner doors are inner doors are 14" wide and outer doors are 14 5/8"
- Door left of center hinged left, door right of center hinged right
- 3 3/16" wide full-width support crossrail across top front of cabinet
- Back is pre-drilled for optional bottom and mid-height accessory Tray Kits that fit behind outer doors. See tray availability charts in the Trays section
- Tray Kits are **not** available for center doors

- ❖ SST 7
- ❖ SDT 7
- PST 7
- PDT 7
- ADT 7
- 09 10b
- 12 10b
- 15 10b
- CFO 10g
- CSO 10g

Vanity Sink Base Double Door



10a

18" Deep
 31 1/2" High

■ VSB2418B

■ VSB2718B

■ VSB3018B

■ VSB3318B

■ VSB3618B

■ VSB3918

■ VSB4218

34 1/2" High

■ VSB243518B

■ VSB273518B

■ VSB303518B

■ VSB333518B

■ VSB363518B

■ VSB393518

■ VSB423518

■ Depth modification options are **not** available

Grey color coding indicates new product, size or code.

10a

21" Deep
 31 1/2" High

VSB24B

VSB27B

VSB30B

VSB33B

VSB36B

VSB39

VSB42

34 1/2" High

VSB2435B

VSB2735B

VSB3035B

VSB3335B

VSB3635B

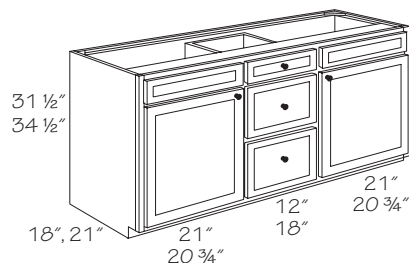
VSB3935

VSB4235

- No shelf
- Cabinets with a "B" suffix have BUTT doors without a center stile
- All cabinets have one full-width drawer front except VSB4218, VSB42, VSB423518 and VSB4235 which have two drawer fronts
- Back is pre-drilled for optional bottom and mid-height accessory Tray Kits. See tray availability charts in the Trays section

- ❖ SST 7
- ❖ SDT 7
- PST 7
- PDT 7
- ADT 7
- 09 10b
- 12 10b
- 15 10b
- CFO 10g
- CSO 10g

Vanity Sink Base Double Bowl



10a

18" Deep
 31 1/2" High

■ VSB5418-3D

■ VSB6018-3D

34 1/2" High

■ VSB543518-4D

■ VSB603518-4D

21" Deep
 31 1/2" High

VB54-3D

VB60-3D

34 1/2" High

VSB5435-4D

VSB6035-4D

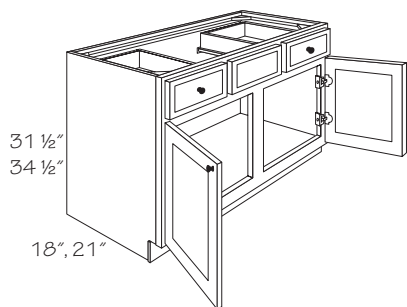
■ Depth modification options are **not** available

Grey color coding indicates new product, size or code.

- VSB 31 1/2" high cabinets have 3 drawers in the center section, 1 top drawer of standard height, 2 deep drawers below
- VSB 34 1/2" high cabinets have four drawers in the center section, three top drawers of standard height and one deep drawer below
- One full-width false drawer front above doors
- 60" cabinet traditional overlay doors are 18 5/8" wide. Full overlay doors are 20" wide
- 54" cabinet traditional overlay doors are 19 1/4" wide. Full overlay doors are 20 5/8" wide.
- Actual cabinet width for 60" cabinets is 59 1/2", traditional overlay frame stiles are extended and may be trimmed a maximum of 1/2" each to a cabinet width of 58 1/2"
- 3 3/16" wide full-width support crossrail across top front of cabinet
- Opening on each end for sink installation is 21 7/8" for 54" cabinet and 21 1/4" for 60" cabinet
- Optional accessory Tray Kits available for 54" wide cabinets only. Back panel **not** pre-drilled
- LaBelle standard height drawer front has a flat recessed center panel, while deep drawer fronts have a raised center panel
- Note:** When depth is reduced to 12" or 15", drawers become a false drawer front
- Instructions and hardware included to convert the top drawer into drawer front only for larger vanity bowls

- ❖ SST 7
- ❖ SDT 7
- PST 7
- PDT 7
- ADT 7
- 09 10b
- 12 10b
- 15 10b
- CFO 10g
- CSO 10g

Vanity Sink Base Two Drawer Double Door



⑩a

18" Deep
31 1/2" High

■ VSB3618-2D

34 1/2" High

■ VSB363518-2D

⑩a

21" Deep
31 1/2" High

■ VSB36-2D

34 1/2" High

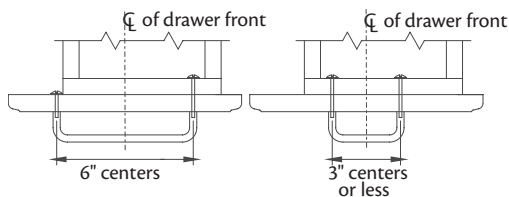
■ VSB3635-2D

■ Depth modification options are **not** available

Grey color coding indicates new product, size or code.

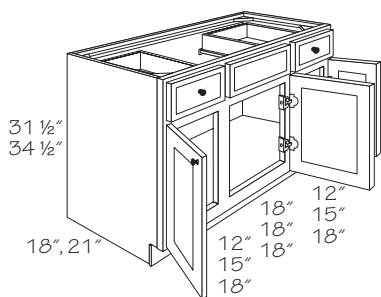
- False front only between drawers
- Space between drawers for sink installation is 18"
- Back is pre-drilled for optional bottom and mid-height accessory Tray Kits. See tray availability charts in the Trays section
- Note:** When depth is reduced to 12" or 15", drawers become a false drawer front
- Note:** Two standard height top drawers. Drawer fronts are offset from drawer core. This limits the sizes of pulls that can be positioned in the middle of the drawer front to pulls with 6" centers or 3" and narrower centers. See details.

- ❖ SST ⑦
- ❖ SDT ⑦
- PST ⑦
- PDT ⑦
- ADT ⑦
- 09 ⑩b
- 12 ⑩b
- 15 ⑩b
- CFO ⑩g
- CSO ⑩g



Right hand drawer shown

Vanity Sink Base Two Drawer Three Door



⑩a

18" Deep
31 1/2" High

■ VSB4218-2D

■ VSB4818-2D

■ VSB5418-2D

34 1/2" High

■ VSB423518-2D

■ VSB483518-2D

■ VSB543518-2D

⑩a

21" Deep
31 1/2" High

■ VSB42-2D

■ VSB48-2D

■ VSB54-2D

34 1/2" High

■ VSB4235-2D

■ VSB4835-2D

■ VSB5435-2D

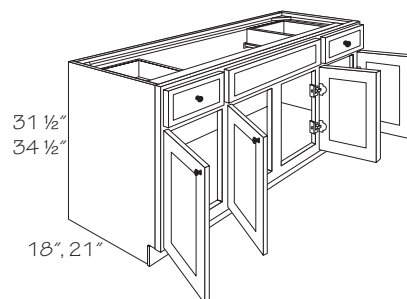
■ Depth modification options are **not** available

Grey color coding indicates new product, size or code.

- Two standard height top drawers
- Drawer front only between top drawers
- Center door is hinged right
- Center door on 42" cabinets is 6" wider than outer doors
- Center door on 48" cabinets is 3" wider than outer doors
- Doors are equal size on 54" cabinets
- Back is pre-drilled for optional bottom and mid-height accessory Tray Kits that fit behind outer doors. See tray availability charts in the Trays section
- Center back panel is pre-drilled on VSB543518-2D and VSB5435-2D only
- Space between drawers for sink installation is 21"
- 54" wide cabinets have a 3 3/16" wide full-width support cross rail across top front of cabinet
- Note:** When depth is reduced to 12" or 15", drawers become a false drawer front
- Instructions and hardware included to convert drawers into drawer fronts only for larger vanity bowls

- ❖ SST ⑦
- ❖ SDT ⑦
- PST ⑦
- PDT ⑦
- ADT ⑦
- 09 ⑩b
- 12 ⑩b
- 15 ⑩b
- CFO ⑩g
- CSO ⑩g

Vanity Sink Base Two Drawer Four Door



⑩a

18" Deep
31 1/2" High

■ VSB6018-2D

34 1/2" High

■ VSB603518-2D

21" Deep
31 1/2" High

■ VSB60-2D

34 1/2" High

■ VSB6035-2D

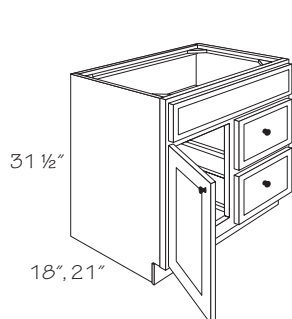
■ Depth modification options are **not** available

Grey color coding indicates new product, size or code.

- Two standard height top drawers
- Drawer front only between top drawers
- Door left of center hinged left, door right of center hinged right
- Actual cabinet width is 59 1/2", traditional overlay cabinet frame stiles are extended and may be trimmed a maximum of 1/2" each to a cabinet width of 58 1/2"
- Space between drawers for sink installation is 31 3/4"
- Traditional overlay inner doors are 12 5/8" wide and outer doors are 13 1/4" wide. Full overlay inner doors are 14" wide and outer doors are 14 5/8"
- 3 3/16" wide full-width support crossrail across top front of cabinet
- Back is pre-drilled for optional bottom and mid-height accessory Tray Kits that fit behind outer doors. See tray availability charts in the Trays section
- Tray Kits are **not** available for center doors
- Note:** When depth is reduced to 12" or 15", drawers become a false drawer front

- ❖ SST ⑦
- ❖ SDT ⑦
- PST ⑦
- PDT ⑦
- ADT ⑦
- 09 ⑩b
- 12 ⑩b
- 15 ⑩b
- CFO ⑩g
- CSO ⑩g

Vanity Combination Drawer Two Drawer



10a

Specify DR or DL
 18" Deep
 31 1/2" High

- VCD2418 DR or DL
- VCD3018 DR or DL
- VCD3618 DR or DL

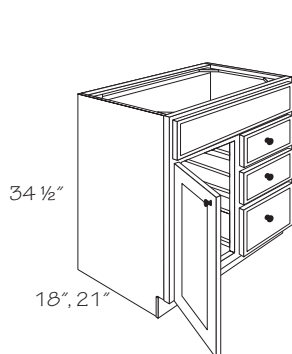
21" Deep
VCD24 DR or DL
VCD30 DR or DL
VCD36 DR or DL

■ Depth modification options are *not* available

- One door and one full-width drawer front above door and drawers
- Specify DL (Drawer Left) or DR (Drawer Right) position for drawers
- LaBelle standard height drawer front has a flat recessed center panel, while deep drawer fronts have a raised center panel
- Back is pre-drilled for optional bottom and mid-height accessory Tray Kits. See tray availability charts in the Trays section
- **Note:** When depth is reduced to 12" or 15", drawers become a false drawer front

- ❖ SST 7
- ❖ SDT 7
- PST 7
- PDT 7
- ADT 7
- 09 10b
- 12 10b
- 15 10b
- CFO 10g
- CSO 10g

Vanity Combination Drawer Three Drawer



10a

Specify DR or DL
 18" Deep
 34 1/2" High

- VCD243518 DR or DL
- VCD303518 DR or DL
- VCD363518 DR or DL

21" Deep
VCD2435 DR or DL
VCD3035 DR or DL
VCD3635 DR or DL

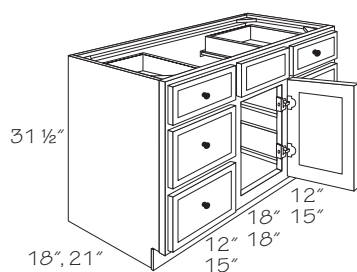
■ Depth modification options are *not* available

Grey color coding indicates new product, size or code.

- One door and one full-width drawer front above door and drawers
- Specify DL (Drawer Left) or DR (Drawer Right) position for drawers
- LaBelle standard height drawer front has a flat recessed center panel, while deep drawer fronts have a raised center panel
- Back is pre-drilled for optional bottom and mid-height accessory Tray Kits. See tray availability charts in the Trays section
- **Note:** When depth is reduced to 12" or 15", drawers become a false drawer front

- ❖ SST 7
- ❖ SDT 7
- PST 7
- PDT 7
- ADT 7
- 09 10b
- 12 10b
- 15 10b
- CFO 10g
- CSO 10g

Vanity Combination Drawer Six Drawer Single Door



10a

18" Deep
 31 1/2" High

- VCD4218
- VCD4818

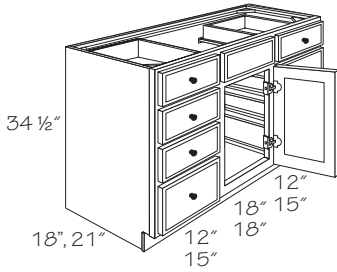
21" Deep
VCD42
VCD48

■ Depth modification options are *not* available

- Two standard height top drawers and four deep lower drawers
- Center door is hinged right
- Drawer front only between top drawers
- LaBelle standard height drawer front has a flat recessed center panel, while deep drawer fronts have a raised center panel
- Space between drawers for sink installation is 21"
- Back is *not* pre-drilled for optional bottom and mid-height accessory Tray Kits
- **Note:** When depth is reduced to 12" or 15", drawers become a false drawer front
- Instructions and hardware included to convert the top drawers into drawer fronts only for offset or double vanity bowls

- ❖ SST 7
- ❖ SDT 7
- PST 7
- PDT 7
- ADT 7
- 09 10b
- 12 10b
- 15 10b
- CFO 10g
- CSO 10g

Vanity Combination Drawer Eight Drawer Single Door



⑩a

18" Deep
 34 1/2" High

■ VCD423518
 ■ VCD483518

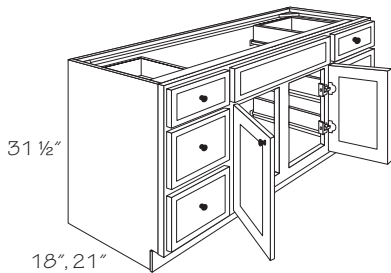
21" Deep
 VCD4235
 VCD4835

■ Depth modification options are **not** available
 Grey color coding indicates new product, size or code.

- Six standard height and two deep drawers
- Center door is hinged right
- Drawer front only between top drawers
- LaBelle standard height drawer front has a flat recessed center panel, while deep drawer fronts have a raised center panel
- Space between drawers for sink installation is 21"
- Back is **not** pre-drilled for optional bottom and mid-height accessory Tray Kits
- **Note:** When depth is reduced to 12" or 15", drawers become a false drawer front

- ❖ SST ⑦
- ❖ SDT ⑦
- PST ⑦
- PDT ⑦
- ADT ⑦
- 09 ⑩b
- 12 ⑩b
- 15 ⑩b
- CFO ⑩g
- CSO ⑩g

Vanity Combination Drawer Six Drawer Double Door



⑩a

18" Deep
 31 1/2" High

■ VCD6018

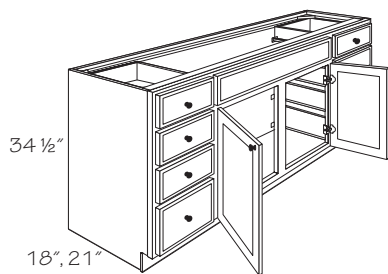
21" Deep
 VCD60

■ Depth modification options are **not** available

- Two standard height top drawers and four deep lower drawers
- Drawer front only between top drawers
- Door left of center hinged left, door right of center hinged right
- LaBelle standard height drawer front has a flat recessed center panel, while deep drawer fronts have a raised center panel
- Actual cabinet width is 59 1/2", traditional overlay cabinet frame stiles are extended and may be trimmed a maximum of 1/2" each to a cabinet width of 58 1/2"
- 3 3/16" wide full-width support crossrail across top front of cabinet
- Space between drawers for sink installation is 31 3/4"
- Accessory Roll-out Trays **not** available
- **Note:** When depth is reduced to 12" or 15", drawers become a false drawer front
- Instructions and hardware included to convert the top drawers into drawer fronts only for offset or double vanity bowls

- ❖ SST ⑦
- ❖ SDT ⑦
- PST ⑦
- PDT ⑦
- ADT ⑦
- 09 ⑩b
- 12 ⑩b
- 15 ⑩b
- CFO ⑩g
- CSO ⑩g

Vanity Combination Drawer Eight Drawer Double Door



⑩a

18" Deep
 34 1/2" High

■ VCD603518

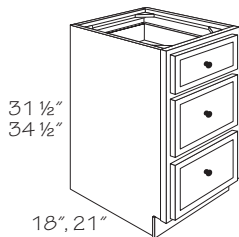
21" Deep
 VCD6035

■ Depth modification options are **not** available
 Grey color coding indicates new product, size or code.

- Six standard height top drawers and two deep lower drawers
- Drawer front only between top drawers
- LaBelle standard height drawer front has a flat recessed center panel, while deep drawer fronts have a raised center panel
- Door left of center hinged left, door right of center hinged right
- Actual cabinet width is 59 1/2", traditional overlay cabinet frame stiles are extended and may be trimmed a maximum of 1/2" each to a cabinet width of 58 1/2"
- 3 3/16" wide full-width support crossrail across top front of cabinet
- Space between drawers for sink installation is 31 3/4"
- Accessory Roll-out Trays **not** available
- **Note:** When depth is reduced to 12" or 15", drawers become a false drawer front
- Instructions and hardware included to convert the top drawers into drawer fronts only for offset or double vanity bowls

- ❖ SST ⑦
- ❖ SDT ⑦
- PST ⑦
- PDT ⑦
- ADT ⑦
- 09 ⑩b
- 12 ⑩b
- 15 ⑩b
- CFO ⑩g
- CSO ⑩g

Vanity Drawer Three Drawer



10a

18" Deep
 31 1/2" High

- VD1218-3D
- VD1518-3D
- VD1818-3D
- VD2118-3D
- VD2418-3D

10a

21" Deep
 31 1/2" High

- VD12-3D
- VD15-3D
- VD18-3D
- VD21-3D
- VD24-3D

34 1/2" High

- VD123518-3D
- VD153518-3D
- VD183518-3D
- VD213518-3D
- VD243518-3D

34 1/2" High

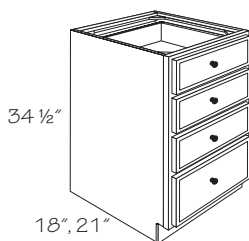
- VD1235-3D
- VD1535-3D
- VD1835-3D
- VD2135-3D
- VD2435-3D

- One standard height top drawer and two deep drawers below
- LaBelle standard height drawer fronts have a flat recessed center panel, while deep drawer fronts have a raised center panel

- ❖ SST 7
- ❖ SDT 7
- PST 7
- PDT 7
- ADT 7
- 09 10b
- 12 10b
- 15 10b
- CFO 10g
- CSO 10g

Grey color coding indicates new product, size or code.

Vanity Drawer Four Drawer



10a

18" Deep
 34 1/2" High

- VD123518-4D
- VD153518-4D
- VD183518-4D
- VD213518-4D
- VD243518-4D

21" Deep

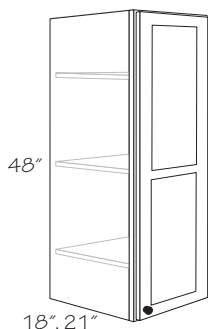
- VD1235-4D
- VD1535-4D
- VD1835-4D
- VD2135-4D
- VD2435-4D

- Three standard height drawers and one deep drawer below
- LaBelle standard height drawer fronts have a flat recessed center panel, while deep drawer fronts have a raised center panel

- ❖ SST 7
- ❖ SDT 7
- PST 7
- PDT 7
- ADT 7
- 09 10b
- 12 10b
- 15 10b
- CFO 10g
- CSO 10g

Grey color coding indicates new product, size or code.

Vanity Linen Cabinet



10a

Specify R or L
 18" Deep

- VLC184818 R or L

21" Deep

- VLC1848 R or L

- Depth modification options are **not** available

Grey color coding indicates new product, size or code.

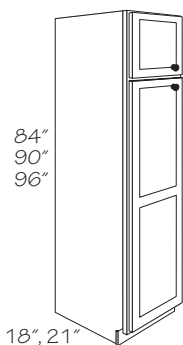
10c

- Three full-depth adjustable shelves
- **Not** available in Arch door styles
- Doors are two-piece panel construction except Arbor Falls II, Fusion, Lanielle, Rowan and Whitebay II
- Arbor Falls II and Whitebay II doors have a single raised panel profile
- Rowan doors have a single recessed panel profile
- Cabinet designed to stack directly on VD18-3D cabinets or sit directly on countertop
- Accessory Roll-out Trays **not** available
- **Not** intended as a stand alone, single wall mount cabinet. **Must** be installed on a VB or VD cabinet or other support

- ❖ SST 7
- ❖ SDT 7
- PST 7
- PDT 7
- ADT 7
- 09 10b
- 12 10b
- 15 10b
- CFO 10g
- CSO 10g

Caution: Additional support is required. See installation sheet provided with cabinet or the Merillat Framed Cabinet Installation Guide

Vanity Linen Cabinet Tall



⑩a

Specify R or L
18" Deep
84" High

- VLC158418 R or L
- VLC188418 R or L
- VLC248418 R or L
- VLC248418B

90" High

- VLC159018 R or L
- VLC189018 R or L
- VLC249018 R or L
- VLC249018B

96" High

- VLC159618 R or L
- VLC189618 R or L
- VLC249618 R or L
- VLC249618B

21" Deep
84" High

- VLC1584 R or L
- VLC1884 R or L
- VLC2484 R or L
- VLC2484B

90" High

- VLC1590 R or L
- VLC1890 R or L
- VLC2490 R or L
- VLC2490B

96" High

- VLC1596 R or L
- VLC1896 R or L
- VLC2496 R or L
- VLC2496B

■ Depth modification options are *not* available

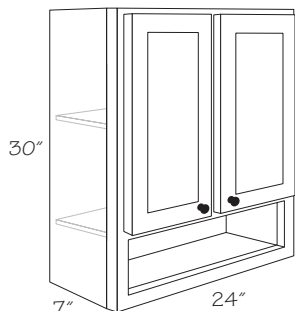
Grey color coding indicates new product, size or code.

⑩c

- Fixed shelf between top and bottom section with adjustable shelves in top section: 84" high-no shelves; 90" high-1 shelf; 96" high-2 shelves
- **Not** available in Arch door styles
- End panels of bottom section are pre-drilled for optional shelves and accessory Tray Kits
- Cabinets with a "B" suffix have BUTT doors without a center stile
- Bottom, tall doors are two-piece panel construction, except Arbor Falls II, Fusion, Lanielle, Rowan, and Whitebay II.
- Arbor Falls II and Whitebay II Bottom doors have a single raised panel profile
- Rowan Bottom doors have a single recessed panel profile
- Interior height of tall section on 84" and 96" tall cabinets is 60 15/16"; 90" tall is 61 7/16"
- 96" high cabinets include toe kick platform shipped unattached for easier handling and installation
- Toe kick cover required on exposed sides of toe kick platform

- ❖ SST ⑦
- ❖ SDT ⑦
- PST ⑦
- PDT ⑦
- ADT ⑦
- 09 ⑩b
- 12 ⑩b
- 15 ⑩b
- CFO ⑩g
- CSO ⑩g

Vanity Wall Boutique - 7" Deep



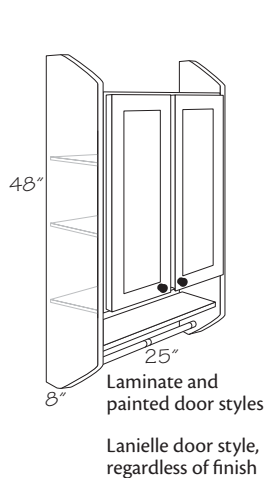
⑩a

VWB2430
VWB2430B

- One adjustable shelf
- Cabinets with a "B" suffix have BUTT doors without a center stile
- Exposed full-depth fixed shelf in lower section
- **Not** available in Arch door styles
- No towel bar
- Matching color laminate interior and shelves
- Back panel has vertical grain except for painted finishes
- 5" high frame opening in lower section
- Cabinet back extends through opening in lower section

- ❖ SST ⑦
- ❖ SDT ⑦
- PST ⑦
- PDT ⑦
- ADT ⑦
- 09 ⑩b
- 12 ⑩b
- 15 ⑩b
- CFO ⑩g
- CSO ⑩g

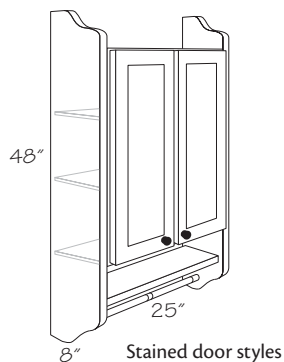
Vanity Wall Boutique - 8" Deep



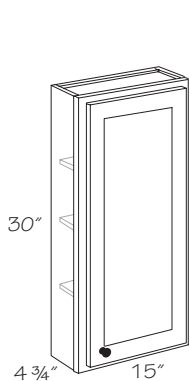
10a
VWB2648

- Two adjustable shelves
- **Not** available in Arch door styles
- Maple Glaze Finishes are applied to doors only. Side panels, exposed shelf and towel bar are **not** glazed
- Cabinet includes:
 - 3/4" matching solid wood side panels
 - Matching exposed fixed shelf
 - Matching solid wood towel bar
- 6 7/8" high opening between fixed shelf and cabinet
- ☆ PST construction, constructed the same as SST
- ☆ PDT construction, constructed the same as SDT

- ❖ SST 7
- ❖ SDT 7
- ☆ PST 7
- ☆ PDT 7
- ADT 7
- 09 10b
- 12 10b
- 15 10b
- CFO 10g
- CSO 10g



Vanity Wall - 4 3/4" Deep

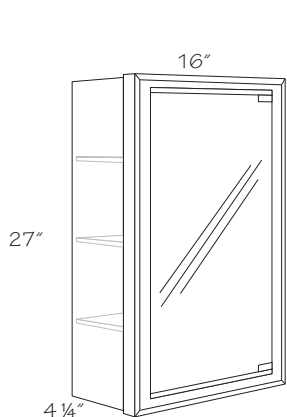


10a 10c
 Specify R or L
VW1530 R or L

- Three adjustable shelves
- **Not** available in Arch door styles
- For surface mount installation

- ❖ SST 7
- ❖ SDT 7
- PST 7
- PDT 7
- ADT 7
- 09 10b
- 12 10b
- 15 10b
- CFO 10g
- CSO 10g

Medicine Cabinet



10a
MC1627

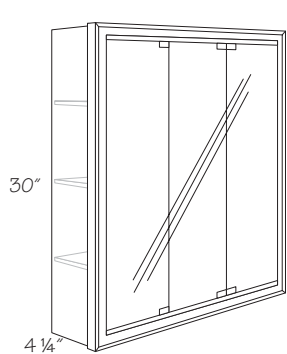
Cutout dimensions for recessed installation

Item	Width	Height	Depth
MC1627	14 1/2"	25 3/4"	3 1/2"

- For surface mount or recess installation
 - Available in square door shape only
 - Door is 3/16" thick plate glass mirror with rounded edges with pivot hinges, magnetic touch latch and vinyl safety backer
 - Three adjustable 5/8" thick no-tilt shelves with clear shelf supports
 - Hinged right
 - Cabinet can be inverted, magnetic latch **must** be relocated
 - Maple laminate interior
 - Solid wood frame has profile on all four outside edges complementing; Seneca Ridge, Spring Valley, Sutton Cliffs and Whitebay II door styles
 - Available in all finishes, except Maple Accent Glaze shipped standard finish
 - Available in all painted finishes, which are painted hardwood
 - Mounting hardware included
 - Mirror door shipped unattached for easier handling and installation
- ☆ SDT, PST, and PDT construction, constructed the same as SST

- ❖ SST 7
- ☆ SDT 7
- ☆ PST 7
- ☆ PDT 7
- ADT 7
- 09 10b
- 12 10b
- 15 10b
- CFO 10g
- CSO 10g

Tri-View Medicine Cabinet



10a
TVMC2430
TVMC3030
TVMC3630

Cutout dimensions for recessed installation

Item	Width	Height	Depth
TVMC2430	22 3/4"	28 3/4"	3 1/2"
TVMC3030	28 3/4"	28 3/4"	3 1/2"
TVMC3630	34 3/4"	28 3/4"	3 1/2"

- For surface mount or recess installation
 - Three adjustable 5/8" thick no-tilt shelves with clear shelf supports
 - Doors are 3/16" thick plate glass mirror with rounded edges, pivot hinges, magnetic touch latch and vinyl safety backer
 - Left and center doors hinged right, right door hinged left to create a three-way reflection
 - Vertical divider between center and left hand door in 30" and 36" cabinet
 - Solid wood frame has profile on all four outside edges complementing; Seneca Ridge, Spring Valley, Sutton Cliffs and Whitebay II door styles
 - Available in all finishes, except Maple Accent Glaze shipped standard finish
 - Available in all painted finishes, which are painted hardwood
 - Mirror door shipped unattached for easier handling and installation
 - Mounting hardware included
- ☆ SDT, PST, and PDT construction, constructed the same as SST

- ❖ SST 7
- ☆ SDT 7
- ☆ PST 7
- ☆ PDT 7
- ADT 7
- 09 10b
- 12 10b
- 15 10b
- CFO 10g
- CSO 10g

Vanity Accessories

Construction Options and Modifications

- ❖ Included as standard
- Available with an upcharge
- ☆ Available with exceptions

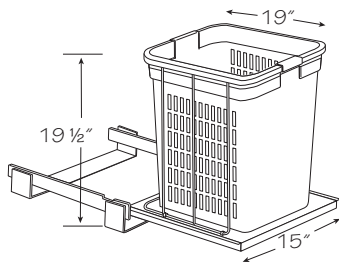
(Blank) **Not** available

10a

VFF3

CH	Cherry	-----	②
HK	Hickory	-----	②
MP	Maple	-----	②
RO	Red Oak	-----	②
TH	Thermofoil	-----	②
TL	Textured Laminate	-----	②

Vanity Hamper Roll-Out

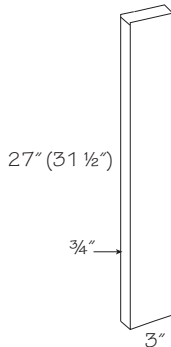


10a
VHRO18

- Fits 31 1/2" high vanities with full height doors 18" and wider or 34 1/2" high vanity cabinets 18" and wider with or without a top drawer
- White epoxy coated wire frame rolls on full-extension slides, designed for easy removal of basket
- 19 1/2" high x 15" wide x 19" deep
- Mounts to cabinet floor
- Load rating of 30 lbs.
- 60-qt. white plastic laundry basket included
- Installation instructions and mounting hardware included
- Offered as individual kit

❖	CH	②
❖	HK	②
❖	MP	②
❖	RO	②
❖	TH	②
❖	TL	②

Vanity Filler

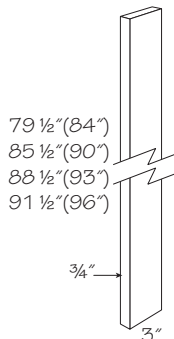


10a
VF3

- 3/4" thick solid wood
- Backside of filler **not** finished
- Available in all finishes; Maple Accent Glaze shipped standard finish
- Available in all painted finishes, which are painted hardwood
- Textured Laminate (TL) will be stained or painted hardwood
- Overlays (OL) available for all full overlay door styles except Fusion. Order separately
- One per carton

❖	CH	②
❖	HK	②
❖	MP	②
❖	RO	②
❖	TH	②
❖	TL	②

Tall Filler

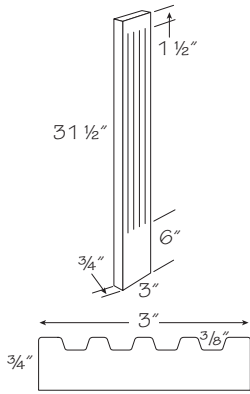


10a
TF3-84
TF3-90
TF3-93
TF3-96

- 3/4" thick solid wood
- Available in all finishes; Maple Accent Glaze shipped standard finish
- Available in all painted finishes, which are painted hardwood
- Textured Laminate (TL) will be stained or painted hardwood
- One per carton
- Backside of filler **not** finished

❖	CH	②
❖	HK	②
❖	MP	②
❖	RO	②
❖	TH	②
❖	TL	②

Vanity Fluted Filler

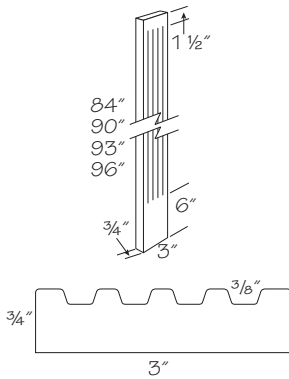


⑩a
VFF3

- Use between cabinets or to create a column effect. Can be combined with other moldings and panels for decorative effects
- Solid wood
- Backside of filler **not** finished
- Four flutes
- Available in all finishes; Maple Accent Glaze shipped standard finish
- Available in all painted finishes, which are painted hardwood
- Textured Laminate (TL) will be stained or painted hardwood
- One per carton

- ❖ CH (2)
- ❖ HK (2)
- ❖ MP (2)
- ❖ RO (2)
- ❖ TH (2)
- ❖ TL (2)

Tall Fluted Filler

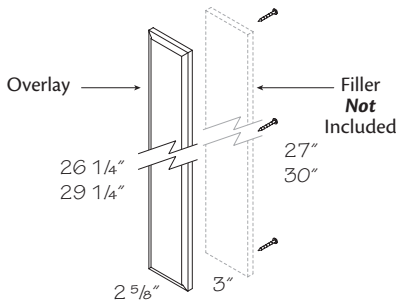


⑩a
TFF3-84
TFF3-90
TFF3-93
TFF3-96

- Solid wood
- Four flutes
- Backside of filler **not** finished
- Available in all finishes; Maple Accent Glaze shipped standard finish
- Available in all painted finishes, which are painted hardwood
- Textured Laminate (TL) will be stained or painted hardwood
- One per carton

- ❖ CH (2)
- ❖ HK (2)
- ❖ MP (2)
- ❖ RO (2)
- ❖ TH (2)
- ❖ TL (2)

Filler Overlay

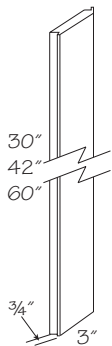


⑩a
OL3-27
OL3-30

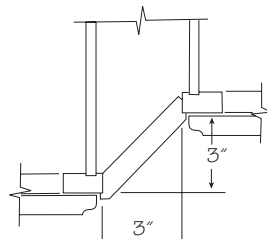
- Attaches to 3" or 6" wide filler, **not** included. Order separately
- 3/4" thick with matching profile on all four edges, sized to match door height of adjacent cabinet
- Spacers installed on backside to align with doors of adjacent cabinet
- Mounting hardware included
- Available for all Full Overlay door styles, except Fusion
- Specify door style, specie and finish
- One per carton

- ❖ CH (2)
- ❖ HK (2)
- ❖ MP (2)
- ❖ RO (2)
- ❖ TH (2)
- ❖ TL (2)

Filler Angle



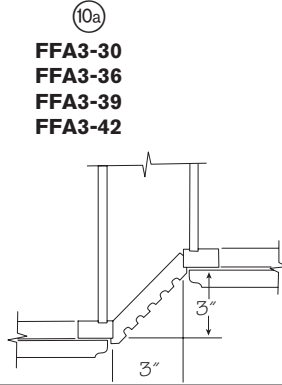
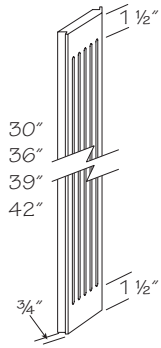
⑩a
FA3-30
FA3-42
FA3-60



- Fills 3" space between cabinets that are offset 3"
- 3/4" thick solid wood
- For right or left hand use
- Backside of filler **not** finished
- Available in all finishes; Maple Accent Glaze shipped standard finish
- Textured Laminate (TL) will be stained or painted hardwood
- One per carton

- ❖ CH (2)
- ❖ HK (2)
- ❖ MP (2)
- ❖ RO (2)
- ❖ TH (2)
- ❖ TL (2)

Fluted Filler Angle

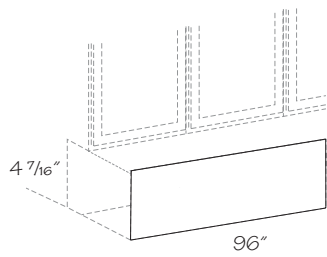


⑩a
FFA3-30
FFA3-36
FFA3-39
FFA3-42

- Fills 3" space between cabinets that are offset 3"
- Five flutes
- 3/4" thick solid wood
- For right or left hand use
- Backside of filler **not** finished
- Available in all painted finishes, which are painted hardwood
- Textured Laminate (TL) will be stained or painted hardwood
- Available in all finishes; Maple Accent Glaze shipped standard finish
- One per carton

- ❖ CH ②
- ❖ HK ②
- ❖ MP ②
- ❖ RO ②
- ❖ TH ②
- ❖ TL ②

Toe Kick Cover - Laminate



⑩a
 Laminate
 1/8" Thick
TKCL8
TKCL8-4
 Textured Laminate
 3/16" Thick
TKCL8-TL
TKCL8-TL-4

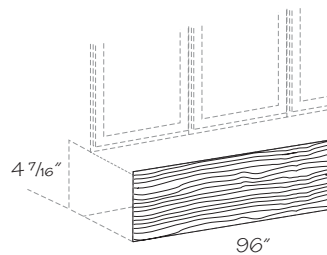
- Available in specie TL; when ordered, model will match frame finish
- ▲ Available in specie TL only; when ordered, model will match door and drawer front laminate

Grey color coding indicates new product, size or code.

- Matching easy clean laminate on one side
- Grain direction runs lengthwise (when applicable)
- Available in all finishes; Maple Accent Glaze shipped standard finish
- Offered individually or four per carton (32 ft.)

- ❖ CH ②
- ❖ HK ②
- ❖ MP ②
- ❖ RO ②
- ❖ TH ②
- ❖ TL ②

Toe Kick Cover - Veneer

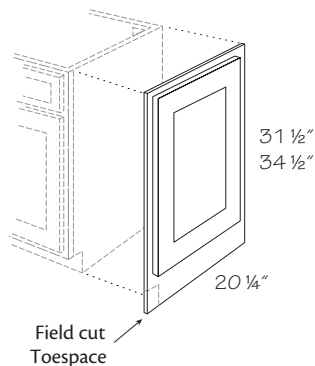


⑩a
 5/32" Thick
TKCV8
TKCV8-4

- Matching wood veneer plywood finished on one side, grain direction runs lengthwise
- Available in all finishes; Maple Accent Glaze shipped standard finish
- Available in specie TL; when ordered, model will match frame finish
- **Not** available in White
- Offered individually or four per carton (32 ft.)

- ❖ CH ②
- ❖ HK ②
- ❖ MP ②
- ❖ RO ②
- ❖ TH ②
- ❖ TL ②

Matching Vanity End Panel



⑩a
MVEP2131
MVEP2135

- Provides a finished furniture look to vanity cabinet ends
- Includes end panel with decorative door
- For right or left hand use
- 5/32" thick veneered plywood panel, except Arbor Falls II and Whitebay II
- 3/16" thick white laminate panel for Arbor Falls II and Whitebay II
- Available in all door styles and finishes, excluding arch shape
- Full overlay door styles shipped unattached to panel. When installed, door overlaps cabinet frame edge to provide matching reveals
- Traditional overlay door styles; door shipped attached to panel
- Available in all painted finishes, which are painted hardwood
- Toospace notch **must** be field cut
- One per carton

- ❖ CH ②
- ❖ HK ②
- ❖ MP ②
- ❖ RO ②
- ❖ TH ②
- ❖ TL ②

Item	Panel Size		Full Overlay		Partial Overlay	
	Width	Height	Width	Height	Width	Height
MVEP2131	20 1/4"	31 1/2"	20 5/8"	26 1/4"	19 1/4"	25"
MVEP2135	20 1/4"	34 1/2"	20 5/8"	29 1/4"	19 1/4"	28"

Notes

Office Cabinets

Construction Options and Modifications

- ❖ Included as standard
- Available with an upcharge
- ☆ Available with exceptions

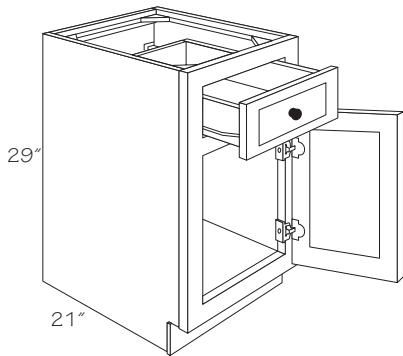
(Blank) **Not** available

SST	Construction	-----	(7)
SDT	Construction	-----	(7)
PST	Construction	-----	(7)
PDT	Construction	-----	(7)
ADT	Construction	-----	(7)
12	Depth Modification	-----	(10b)
15	Depth Modification	-----	(10b)
18	Depth Modification	-----	(10b)
21	Depth Modification	-----	(10b)
CFO	Cabinet Front Only	-----	(10g)
CSO	Case Only	-----	(10g)

(10a)

DKD3018

Desk Door



(10a)

(10c)

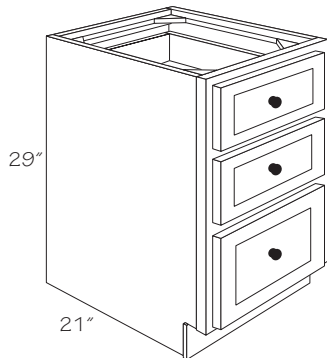
Specify R or L

- DDO15** R or L
- DDO18** R or L
- DDO21** R or L
- DDO24** R or L

- No shelf
- Standard height top drawer
- **Note:** When depth is reduced to 12" or 15", drawers become a false drawer front

- ❖ SST (7)
- ❖ SDT (7)
- PST (7)
- PDT (7)
- ADT (7)
- 12 (10b)
- 15 (10b)
- 18 (10b)
- 21 (10b)
- CFO (10g)
- CSO (10g)

Desk Drawer



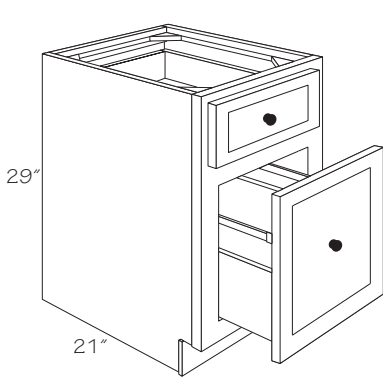
(10a)

- DDR12**
- DDR15**
- DDR18**
- DDR21**
- DDR24**

- Two standard height top drawers on top
- One deep bottom drawer
- LaBelle standard height drawer front has a flat recessed center panel, while deep drawer fronts have a raised center panel
- Designed to be used in conjunction with Desk Knee Drawer (DKD) units

- ❖ SST (7)
- ❖ SDT (7)
- PST (7)
- PDT (7)
- ADT (7)
- 12 (10b)
- 15 (10b)
- 18 (10b)
- 21 (10b)
- CFO (10g)
- CSO (10g)

Desk File Drawer



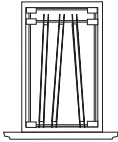
⑩a

DFD15
DFD18
DFD21
DFD24

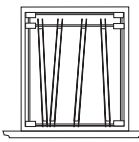
- Standard height top drawer
- Bottom file drawer has full extension slides and hanging folder hardware to accommodate letter or legal size folders
- Drawer front on bottom drawer is styled as a door
- DFD24 cabinet uses same hanging folder hardware as DFD21 cabinet
- Designed to be used in conjunction with Desk Knee Drawer (DKD) units

- ❖ SST ⑦
- ❖ SDT ⑦
- PST ⑦
- PDT ⑦
- ADT ⑦
- 12 ⑩b
- 15 ⑩b
- 18 ⑩b
- 21 ⑩b
- CFO ⑩g
- CSO ⑩g

FD15

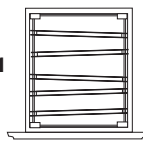


Letter or Legal



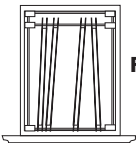
FD21

Letter or Legal

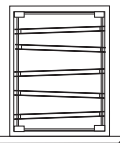


Legal only

FD18

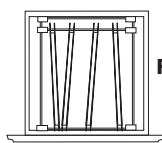


Letter or Legal

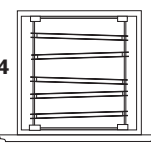


Letter only

FD24

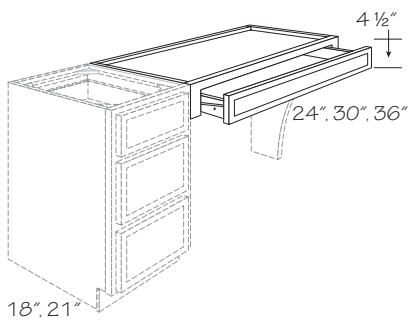


Letter or Legal



Legal only

Desk Knee Drawer



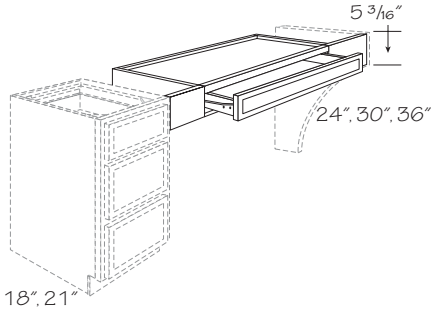
⑩a

18" deep
DKD2418
DKD3018
DKD3618
21" deep
DKD24
DKD30
DKD36

- Designed for use between base, desk, vanity, tall cabinets or with desk leg on one end
- Full-width top panel is recessed for easier installation
- Drawer front is profiled on all edges
- Traditional overlay door styles; face frame stiles may be trimmed a maximum 3/4" each allowing the DKD width to be reduced a maximum of 1 1/2"
- Full overlay door styles; face frame stiles are **not** trimmable
- Drawer fronts are solid slab; except Bayville, Bellingham, LaBelle, and Ralston
- Bayville, Bellingham, LaBelle, and Ralston drawer fronts are same construction as standard fronts; except the stiles and rails are narrower (1 1/2" wide) and the LaBelle center panel is flat and recessed like standard height drawer fronts
- ☆ PST construction, constructed the same as SST
- ☆ PDT construction, constructed the same as SDT
- Requires countertop or writing surface

- ❖ SST ⑦
- ❖ SDT ⑦
- ☆ PST ⑦
- ☆ PDT ⑦
- ADT ⑦
- 12 ⑩b
- 15 ⑩b
- 18 ⑩b
- 21 ⑩b
- CFO ⑩g
- CSO ⑩g

Desk Knee Drawer Trimmable



10a

18" deep
DKDT2418
DKDT3018
DKDT3618
 21" deep
DKDT24
DKDT30
DKDT36

- Designed for use between base, desk, vanity, tall cabinets or with desk leg on one end
- Full-width top panel is recessed for easier installation
- Drawer front is profiled on all edges
- 4 1/2" wide face frame stiles permit DKDT to be trimmed up to 6" in overall width (3" each side)
- Face frame includes 11/16" tall bottom rail for added strength
- Drawer fronts are solid slab; except Bayville, Bellingham, LaBelle, and Ralston
- Bayville, Bellingham, LaBelle, and Ralston drawer fronts are same construction as standard fronts; except the stiles and rails are narrower (1 1/2" wide) and the LaBelle center panel is flat and recessed like standard height drawer fronts
- ☆ PST construction, constructed the same as SST
- ☆ PDT construction, constructed the same as SDT
- Requires countertop or writing surface

- ❖ SST 7
- ❖ SDT 7
- ☆ PST 7
- ☆ PDT 7
- ADT 7
- 12 10b
- 15 10b
- 18 10b
- 21 10b
- CFO 10g
- CSO 10g

Office Cabinet Accessories

Construction Options and Modifications

- ❖ Included as standard
- Available with an upcharge
- ☆ Available with exceptions

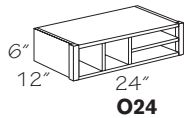
(Blank) **Not** available

(10a)

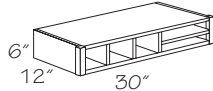
DEP2431

CH	Cherry	-----	(2)
HK	Hickory	-----	(2)
MP	Maple	-----	(2)
RO	Red Oak	-----	(2)
TH	Thermofoil	-----	(2)
TL	Textured Laminate	-----	(2)

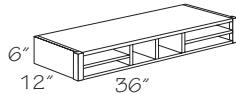
Organizer



O24



O30



O36

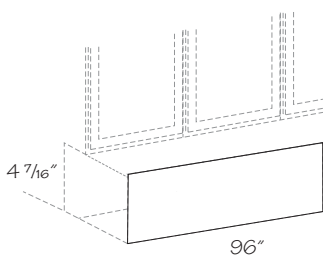
(10a)

- O24**
- O30**
- O36**

- For use beneath wall cabinets or open shelves
- Matching wood veneer interior and exterior surfaces
- Use a Wall End Panel (WEP) on exposed sides to cover end panel joints between wall cabinet and organizer
- Includes a matching solid wood strip at each end to align with wall cabinet frame above when stacked
- Available in all finishes; Maple Accent Glaze shipped standard finish
- Available in specie TL; when ordered, model will match frame finish
- Available in all painted finishes, which are painted hardwood
- One per carton

❖	CH	(2)
❖	HK	(2)
❖	MP	(2)
❖	RO	(2)
❖	TH	(2)
❖	TL	(2)

Toe Kick Cover - Laminate



(10a)

- Laminate
1/8" Thick
- **TKCL8**
- **TKCL8-4**

- Textured Laminate
3/16" Thick
- ▲ **TKCL8-TL**
- ▲ **TKCL8-TL-4**

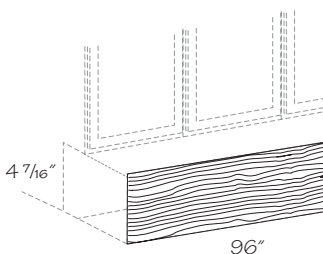
- Available in specie TL; when ordered, model will match frame finish
- ▲ Available in specie TL only; when ordered, model will match door and drawer front laminate

Grey color coding indicates new product, size or code.

- Matching easy clean laminate on one side
- Grain direction runs lengthwise (when applicable)
- Available in all finishes; Maple Accent Glaze shipped standard finish
- Offered individually or four per carton (32 ft.)

❖	CH	(2)
❖	HK	(2)
❖	MP	(2)
❖	RO	(2)
❖	TH	(2)
❖	TL	(2)

Toe Kick Cover - Veneer



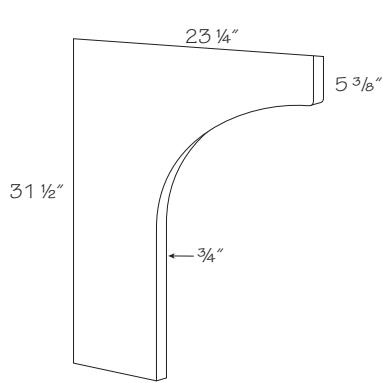
(10a)

- 5/32" Thick
- TKCV8**
- TKCV8-4**

- Matching wood veneer plywood finished on one side, grain direction runs lengthwise
- Available in all finishes; Maple Accent Glaze shipped standard finish
- Available in specie TL; when ordered, model will match frame finish
- **Not** available in White
- Offered individually or four per carton (32 ft.)

❖	CH	(2)
❖	HK	(2)
❖	MP	(2)
❖	RO	(2)
❖	TH	(2)
❖	TL	(2)

Desk End Panel

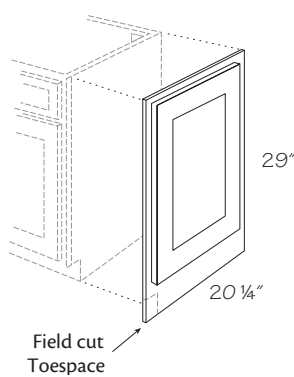


10a
DEP2431

- Used to support end of Desk Knee Drawer (DKD) or Desk Knee Drawer Trimmable (DKDT). Fits behind extended frame stile
- 3/4" thick engineered wood core (SST) with vertical grain veneer on both sides and front edge for Cherry, Hickory, Maple and Oak
- 3/4" thick plywood core (ADT) with vertical grain veneer on both sides and front edge for Cherry, Hickory, Maple and Oak
- SDT, PST and PDT orderable; shipped as SST
- Available in all finishes; Maple Accent Glaze shipped standard finish
- Available in all painted finishes, which are painted veneer plywood
- Available in specie TL; when ordered, model will match frame finish
- Field cut to correct height where applicable
- One per carton

❖ CH	2
❖ HK	2
❖ MP	2
❖ RO	2
❖ TH	2
❖ TL	2

Matching Desk End Panel



10a
MDEP

- Provides a finished furniture look to Desk Drawer (DDR) and Desk File Drawer (DFD) cabinet ends
- Includes end panel with decorative door
- For right or left hand use
- 5/32" thick veneered plywood panel, except Arbor Falls II and Whitebay II
- 3/16" thick white laminate panel for Arbor Falls II and Whitebay II
- Available in all door styles and finishes, excluding arch shape
- Traditional overlay door styles; door measures 19 1/4" wide and 22 1/2" tall shipped attached to panel
- Full overlay door styles; door measures 20 5/8" wide and 23 3/4" tall shipped unattached to panel. When installed, door overlaps cabinet frame edge to provide matching reveals
- Available in all painted finishes, which are painted hardwood
- Toespace notch **must** be field cut
- One per carton

❖ CH	2
❖ HK	2
❖ MP	2
❖ RO	2
❖ TH	2
❖ TL	2

Notes

Universal Access Cabinets

Construction Options and Modifications

- ❖ Included as standard
- Available with an upcharge
- ☆ Available with exceptions

(Blank) **Not** available

Masco Cabinetry LLC manufactures cabinets that are readily used in floor plans that meet current ADA Accessibility Guidelines for Buildings and Facilities (ADAAG) guidelinadaag.htmqes. The primary responsibility to make a space comply with these guidelines is on the architect or space planner.

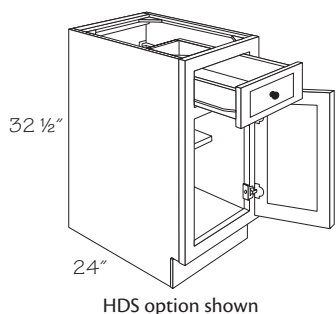
Merillat products can be used to help satisfy the storage needs and accessibility requirements of disabled persons but depends on the knowledge, skill and creativity of the design professional and proper installation of these products. ADA Accessibility Guidelines for buildings and Facilities can be visited online at www.access-board.gov/adaag/html/

Material dimensions may vary slightly based on lumber industry standards.

SST	Construction	-----	⑦
SDT	Construction	-----	⑦
PST	Construction	-----	⑦
PDT	Construction	-----	⑦
ADT	Construction	-----	⑦
12	Depth Modification	-----	⑩b
15	Depth Modification	-----	⑩b
18	Depth Modification	-----	⑩b
21	Depth Modification	-----	⑩b
HDS	Half Depth Shelf	-----	⑩d
FDS	Full Depth Shelf	-----	⑩d
WT	Wood Trays	-----	⑩d
ST	Standard Trays	-----	⑩d
WF	Wood Full-Width Trays	-----	⑩d
FT	Standard Full-Width Trays	---	⑩d
DT	Deluxe Trays	-----	⑩d
DF	Deluxe Full-Width Trays	---	⑩d
CFO	Cabinet Front Only	-----	⑩g
CSO	Case Only	-----	⑩g

⑩a **UB24**
⑩d **HDS**

Universal Base Single Door



⑩a ⑩c ⑩d

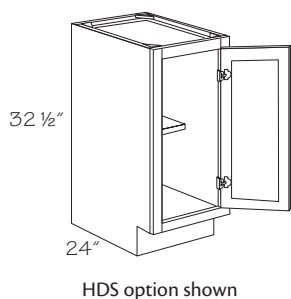
Specify R or L

UB12	R or L	HDS
UB15	R or L	HDS
UB18	R or L	HDS
UB21	R or L	HDS
UB24	R or L	HDS

- Back panel is pre-drilled for optional accessory Tray Kits
- ☆ Tray options are available for cabinets with select depth modifications. See Construction Options for specifics
- **Note:** For tray or shelf options for select cabinets, replace HDS (10d) with the option code of your choice
- **Note:** When depth is reduced to 12" or 15", drawers become a false drawer front

❖ SST	⑦	● FDS	⑩d
❖ SDT	⑦	☆ WT	⑩d
● PST	⑦	☆ ST	⑩d
● PDT	⑦	WF	⑩d
● ADT	⑦	FT	⑩d
● 12	⑩b	☆ DT	⑩d
● 15	⑩b	DF	⑩d
● 18	⑩b	● CFO	⑩g
● 21	⑩b	● CSO	⑩g
❖ HDS	⑩d		

Universal Base Single Door - Full-Height



⑩a ⑩c ⑩d

Specify R or L

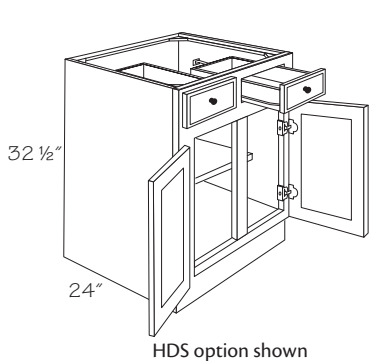
▲ UB9FH	R or L	
UB12FH	R or L	HDS
UB15FH	R or L	HDS
UB18FH	R or L	HDS
UB24FH	R or L	HDS

- **Not** available with tray or shelf options
- ▲ Depth Modification options are **Not** available

- Back panel is pre-drilled for optional accessory Tray Kits
- ☆ Tray options are available for cabinets with select depth modifications. See Construction Options for specifics
- **Note:** For tray or shelf options for select cabinets, replace HDS (10d) with the option code of your choice

❖ SST	⑦	☆ FDS	⑩d
❖ SDT	⑦	☆ WT	⑩d
● PST	⑦	☆ ST	⑩d
● PDT	⑦	WF	⑩d
● ADT	⑦	FT	⑩d
● 12	⑩b	☆ DT	⑩d
● 15	⑩b	DF	⑩d
● 18	⑩b	● CFO	⑩g
● 21	⑩b	● CSO	⑩g
❖ HDS	⑩d		

Universal Base Double Door

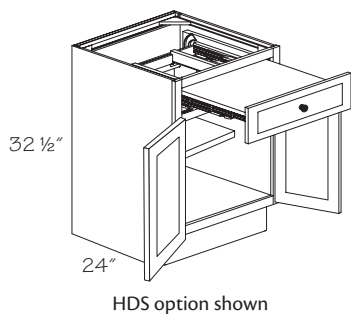


- ⑩a HDS
- ⑩d HDS
- UB24B HDS
- UB27B HDS
- UB30B HDS
- UB33B HDS
- UB36B HDS
- UB42 HDS

- Back panel is pre-drilled for optional accessory Tray Kits
- ☆ Tray options are available for cabinets with select depth modifications. See Construction Options for specifics
- **Note:** For tray or shelf options for select cabinets, replace HDS (10d) with the option code of your choice
- **Note:** When depth is reduced to 12" or 15", drawers become a false drawer front

- ❖ SST ⑦
- ❖ SDT ⑦
- PST ⑦
- PDT ⑦
- ADT ⑦
- 12 ⑩b
- 15 ⑩b
- 18 ⑩b
- 21 ⑩b
- ❖ HDS ⑩d
- FDS ⑩d
- ☆ WT ⑩d
- ☆ ST ⑩d
- ☆ WF ⑩d
- ☆ FT ⑩d
- ☆ DT ⑩d
- ☆ DF ⑩d
- CFO ⑩g
- CSO ⑩g

Universal Base Table Butt Door

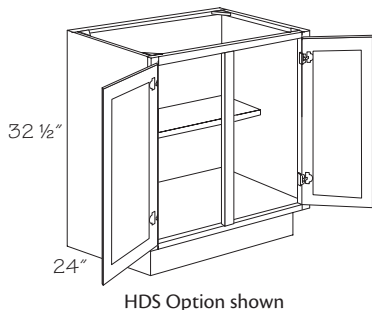


- ⑩a HDS
- ⑩d HDS
- UBT24B HDS

- Cabinets have BUTT doors without a center stile
- Back panel is pre-drilled for optional accessory Tray Kits
- Top drawer is replaced with full-width 20 1/4" wide, solid wood, pull-out tambour table with natural lacquer finish
- Pullout top has hardwood telescoping slides
- Pull-out table extends 30" from front of cabinet on telescoping hardwood slides
- Drawer front **must** be attached to pullout table by installer. Hardware and instructions included
- **Not** intended to be used as a chopping block
- **Note:** For tray or shelf options for select cabinets, replace HDS (10d) with the option code of your choice

- ❖ SST ⑦
- ❖ SDT ⑦
- PST ⑦
- PDT ⑦
- ADT ⑦
- 12 ⑩b
- 15 ⑩b
- 18 ⑩b
- 21 ⑩b
- ❖ HDS ⑩d
- FDS ⑩d
- WT ⑩d
- ST ⑩d
- WF ⑩d
- FT ⑩d
- DT ⑩d
- DF ⑩d
- CSO ⑩g

Universal Base Double Door - Full-Height

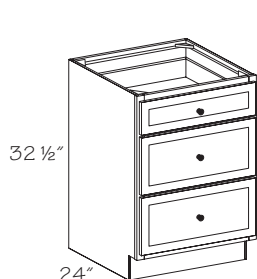


- ⑩a HDS
- ⑩d HDS
- UB24BFH HDS
- UB27BFH HDS
- UB30BFH HDS
- UB33BFH HDS
- UB36BFH HDS
- UB39FH HDS
- UB42FH HDS
- UB45FH HDS
- UB48FH HDS

- Full-height doors
- Cabinets with a "B" suffix have BUTT doors without a center stile
- Back is pre-drilled for optional shelves and Tray Kits
- ☆ Tray options are available for cabinets with select depth modifications. See Construction Options for specifics
- **Note:** For tray or shelf options for select cabinets, replace HDS (10d) with the option code of your choice

- ❖ SST ⑦
- ❖ SDT ⑦
- PST ⑦
- PDT ⑦
- ADT ⑦
- 12 ⑩b
- 15 ⑩b
- 18 ⑩b
- 21 ⑩b
- ❖ HDS ⑩d
- FDS ⑩d
- ☆ WT ⑩d
- ☆ ST ⑩d
- ☆ WF ⑩d
- ☆ FT ⑩d
- ☆ DT ⑩d
- ☆ DF ⑩d
- CFO ⑩g
- CSO ⑩g

Universal Base Three Drawer

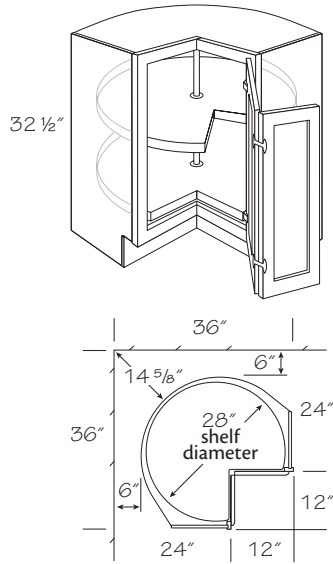


- ⑩a HDS
- UBD12-3D
- UBD15-3D
- UBD18-3D
- UBD21-3D
- UBD24-3D

- Standard height top drawer
- Bottom drawers are deep
- LaBelle standard height drawer front has a flat recessed center panel, while deep drawer fronts have a raised center panel

- ❖ SST ⑦
- ❖ SDT ⑦
- PST ⑦
- PDT ⑦
- ADT ⑦
- 12 ⑩b
- 15 ⑩b
- 18 ⑩b
- 21 ⑩b
- HDS ⑩d
- FDS ⑩d
- WT ⑩d
- ST ⑩d
- WF ⑩d
- FT ⑩d
- DT ⑩d
- DF ⑩d
- CFO ⑩g
- CSO ⑩g

Universal Base Corner Revolving



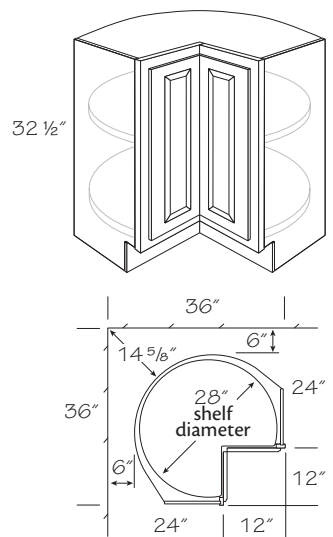
10a 10c
 Specify R or L
UBCR36 R or L

- Two 28" diameter high impact, pie-cut revolving white plastic shelves
- Shelves rotate independently of doors and each other
- Shelf load rating of 15 lbs. per square foot, **not** to exceed 50 lbs.
- Shelf height **cannot** be adjusted
- Two piece bi-fold door with independent adjustment
- Use Base End Panel Filler (BEPF3-34) if end is exposed (requires 3" of space)
- 168° opening hinges on face frame door
- Full overlay door style face frame stiles are notched to accept door hinges. Door hinging **cannot** be inverted in field
- SoftAction hinges are **not** available
- **Note:** Back panel (barrel) will **not** be plywood when ADT is ordered

❖ SST 7	FDS 10d
❖ SDT 7	WT 10d
● PST 7	ST 10d
● PDT 7	WF 10d
● ADT 7	FT 10d
12 10b	DT 10d
15 10b	DF 10d
18 10b	● CFO 10g
21 10b	● CSO 10g
HDS 10d	

Do **not** design a corner cabinet adjacent to an object deeper than the end panel. The door of the corner cabinet may **not** function properly.

Universal Base Lazy Susan

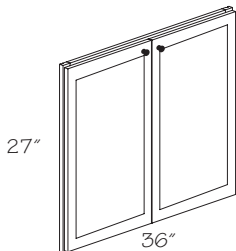


10a
UBLS36

- Two 28" diameter high impact, pie-cut revolving white plastic shelves
- Shelf load rating of 15 lbs. per square foot, **not** to exceed 50 lbs.
- Doors revolve with shelves
- Shelf height **cannot** be adjusted
- Available in traditional overlay door styles only
- Use Base End Panel Filler (BEPF3-34) if end is exposed (requires 3" of space)
- **Note:** Back panel (barrel) will **not** be plywood when ADT is ordered

❖ SST 7	FDS 10d
❖ SDT 7	WT 10d
● PST 7	ST 10d
● PDT 7	WF 10d
● ADT 7	FT 10d
12 10b	DT 10d
15 10b	DF 10d
18 10b	CFO 10g
21 10b	● CSO 10g
HDS 10d	

Universal Base Sink Front Butt Door - Full-Height

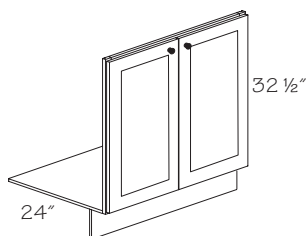


⑩a
UBSF36BFH

- Includes front frame and appropriate doors only
- Cabinets have BUTT doors without a center stile
- **Not** trimmable
- No toe kick
- ☆ Regardless of construction option, model is constructed the same

☆ SST ⑦	FDS ⑩d
☆ SDT ⑦	WT ⑩d
☆ PST ⑦	ST ⑩d
☆ PDT ⑦	WF ⑩d
☆ ADT ⑦	FT ⑩d
12 ⑩b	DT ⑩d
15 ⑩b	DF ⑩d
18 ⑩b	CFO ⑩g
21 ⑩b	CSO ⑩g
HDS ⑩d	

Universal Base Sink Front Cabinet Kit - Full-Height

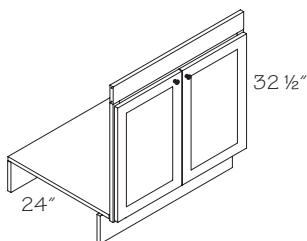


⑩a
USFCK30BFH
USFCK33BFH
USFCK36BFH
USFCK42FH

- Cabinets with a "B" suffix have BUTT doors without a center stile
- 3/8" thick engineered wood bottom panel with easy clean laminate on one side; back side unfinished
- 1/2" thick engineered wood toeboard
- Toespace (toe kick backer) assembly shipped unassembled to floor
- Includes floor
- ☆ Regardless of construction option, model is constructed the same

☆ SST ⑦	FDS ⑩d
☆ SDT ⑦	WT ⑩d
☆ PST ⑦	ST ⑩d
☆ PDT ⑦	WF ⑩d
☆ ADT ⑦	FT ⑩d
12 ⑩b	DT ⑩d
15 ⑩b	DF ⑩d
18 ⑩b	CFO ⑩g
21 ⑩b	CSO ⑩g
HDS ⑩d	

Universal Removable Sink Front Double Doors



⑩a
URSF30B
URSF33B
URSF36B
URSF42

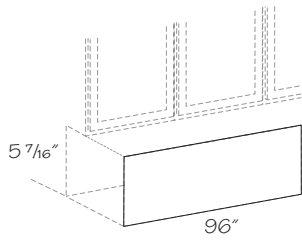
- Designed for easy field conversion from a standard sink base functionality to access open space
- Butt doors on 30", 33", and 36" widths; 42" is a double door with a center stile
- Permanently installed countertop support rail is 3 1/2" high x 3/4" thick solid wood
- Doors and frame are shipped pre-assembled
- 3/4" thick removable plywood bottom panel with support hardware / leveling legs and a removable clipped-on toeboard provided
- Matching solid wood baseboard provided for bottom panel support along the kitchen wall
- Frame, doors, floor bottom and toeboard can be flat packed for easy storage in a minimum amount of space
- Frame attached to bottom panel using quick connect (cam-locks) fasteners providing a solid tight joint
- Some field assembly required; instructions and hardware included
- A Universal Access Panel (UAP) can be purchased separately to conceal/protect the water and drain lines. See "Panels" section. Please specify specie and finish
- ☆ Regardless of construction option, model is constructed the same

☆ SST ⑦	FDS ⑩d
☆ SDT ⑦	WT ⑩d
☆ PST ⑦	ST ⑩d
☆ PDT ⑦	WF ⑩d
☆ ADT ⑦	FT ⑩d
12 ⑩b	DT ⑩d
15 ⑩b	DF ⑩d
18 ⑩b	CFO ⑩g
21 ⑩b	CSO ⑩g
HDS ⑩d	



Complete flooring under Universal Access Removable Sink Front (URSF) to prepare for the future when sink front and plywood bottom is removed.

Universal Base Toe Kick Cover - Laminate

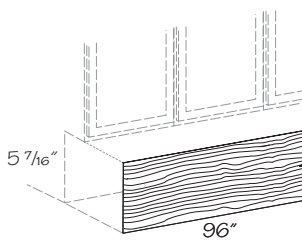


- (10a)
 Laminate
 1/8" Thick
TKCUL8
TKCUL8-4
 Textured Laminate
 3/16" Thick
TKCUL8-TL
TKCUL8-TL-4
- Available in specie TL; when ordered, model will match frame finish
 - ▲ Available in specie TL only; when ordered, model will match door and drawer front laminate
- Grey color coding indicates new product, size or code.

- Matching easy clean laminate on one side
- Grain direction runs lengthwise (when applicable)
- Available in all finishes; Maple Accent Glaze shipped standard finish
- Offered individually or four per carton (32 ft.)

❖ SST (7)	FDS (10d)
❖ SDT (7)	WT (10d)
❖ PST (7)	ST (10d)
❖ PDT (7)	WF (10d)
❖ ADT (7)	FT (10d)
12 (10b)	DT (10d)
15 (10b)	DF (10d)
18 (10b)	CFO (10g)
21 (10b)	CSO (10g)
HDS (10c)	

Universal Base Toe Kick Cover - Veneer



- (10a)
 5/32" Thick
TKCUV8
TKCUV8-4
- Matching wood veneer plywood finished on one side, grain direction runs lengthwise
 - Available in all finishes; Maple Accent Glaze shipped standard finish
 - When ordered in specie TL, model will match frame finish
 - **Not** available in White
 - Available in specie TL; when ordered, model will match frame finish
 - Offered individually or four per carton (32 ft.)

- Matching wood veneer plywood finished on one side, grain direction runs lengthwise
- Available in all finishes; Maple Accent Glaze shipped standard finish
- When ordered in specie TL, model will match frame finish
- **Not** available in White
- Available in specie TL; when ordered, model will match frame finish
- Offered individually or four per carton (32 ft.)

❖ SST (7)	FDS (10d)
❖ SDT (7)	WT (10d)
❖ PST (7)	ST (10d)
❖ PDT (7)	WF (10d)
❖ ADT (7)	FT (10d)
12 (10b)	DT (10d)
15 (10b)	DF (10d)
18 (10b)	CFO (10g)
21 (10b)	CSO (10g)
HDS (10c)	

Notes

Panels

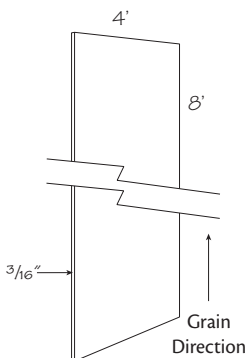
Construction Options and Modifications

- ❖ Included as standard
 - Available with an upcharge
 - ☆ Available with exceptions
- (Blank) **Not** available

CH	Cherry	-----	(2)
HK	Hickory	-----	(2)
MP	Maple	-----	(2)
RO	Red Oak	-----	(2)
TH	Thermofoil	-----	(2)
TL	Textured Laminate	-----	(2)

(10a)
PB4896P

Panel Backer-Paper

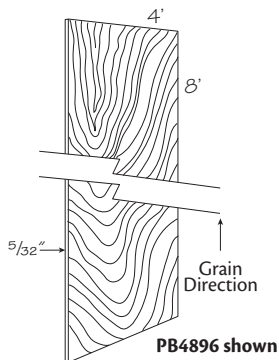


- (10a)
- Paper*
- ***PB4896P**
 - ***PB4896P-2**
- Textured Laminate*
- ▲**PB4896P-TL**
 - ▲**PB4896P-TL-2**
- Grey color coding indicates new product, size or code.*
- * **Not** available in specie TL
 - ▲ Available in specie TL only; when ordered, model will match door and drawer front laminate

- Use to cover exposed backs of Base and Tall cabinets in peninsula or island configurations
- Medium Density Fiberboard (MDF) panel with easy clean laminate on front side and unfinished backside
- Accent glaze shipped as standard finish
- Available in all painted finishes, which are painted hardwood
- Painted glazes are shipped as standard finish
- Offered individually or two per carton

❖	CH	(2)
❖	HK	(2)
❖	MP	(2)
❖	RO	(2)
❖	TH	(2)
❖	TL	(2)

Panel Backer-Veneer



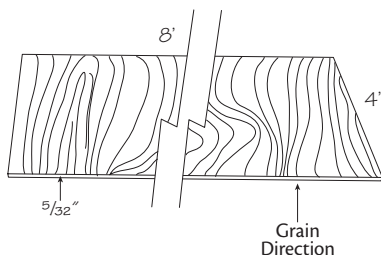
PB4896 shown

- (10a)
- 4' x 8'*
- PB4896**
 - PB4896-2**
- 8' x 4'*
- ★**PB9648**
 - ★**PB9648-2**
- ★ **Not** available in painted finishes
- Available in specie TL; when ordered, model will match frame finish

- Use to cover exposed backs of Base and Tall cabinets in peninsula or island configurations
- Veneered plywood panel finished on one side
- Accent glaze shipped as standard finish
- PB9648 and PB9648-2 are **not** available in painted finishes
- Painted glazes are shipped as standard finish
- Offered individually or two per carton

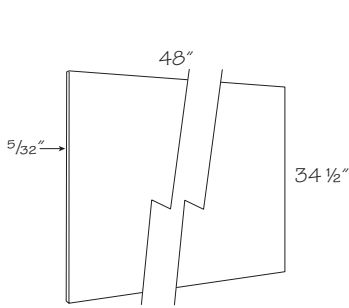
❖	CH	(2)
❖	HK	(2)
❖	MP	(2)
❖	RO	(2)
❖	TH	(2)
❖	TL	(2)

Grey color coding indicates new product, size or code.



PB9648 shown

Panel Backer 3' Tall-Paper



⑩a

Paper
***PB4834P**
***PB4834P-4**
 Textured Laminate
▲PB4834P-TL
▲PB4834P-TL-4

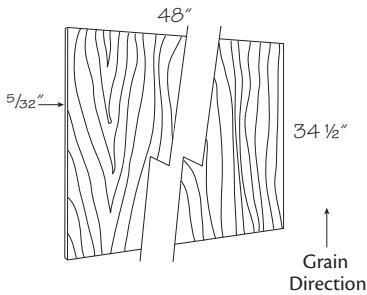
Grey color coding indicates new product, size or code.

- * **Not** available in specie TL
- ▲ Available in specie TL only; when ordered, model will match door and drawer front laminate

- Use to cover exposed backs of Base and Tall cabinets in peninsula or island configurations
- Medium Density Fiberboard (MDF) panel with easy clean laminate on front side and unfinished backside
- Available in all painted finishes, which are painted hardwood
- Offered individually or four per carton

CH	2
HK	2
❖ MP	2
RO	2
❖ TH	2
❖ TL	2

Panel Backer 3' Tall-Veneer



⑩a

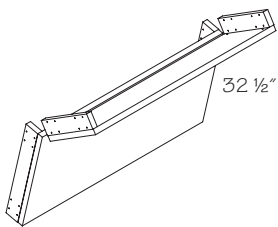
Veneer
■PB4834
■PB4834-4
 ■ Available in specie TL; when ordered, model will match frame finish

Grey color coding indicates new product, size or code.

- Use to cover exposed backs of Base and Tall cabinets in peninsula or island configurations
- Veneered plywood panel finished on one side
- Available in all finishes; except Maple Accent Glaze shipped as standard
- Painted glazes are shipped as standard finish
- Available in all painted finishes, which are painted hardwood
- Offered individually or four per carton

❖ CH	2
❖ HK	2
❖ MP	2
❖ RO	2
TH	2
❖ TL	2

Universal Access Panel



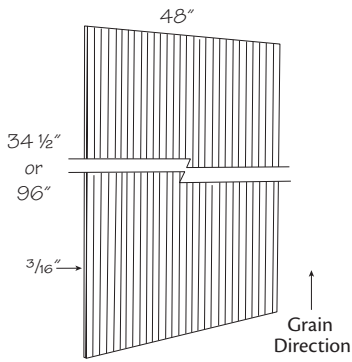
⑩a

UAP30
UAP33
UAP36
UAP42

- Designed for optional use with Removable Sink Front (RSF) and Universal Removable Sink Front (URSF)
- Conceals/protects drain and water lines
- Includes one 9" and one 15" high, 3/4" thick laminate plywood panel
- Panels are held with hidden spring clips, removable without tools for easy access to plumbing
- Painted or Stained plywood supplied for laminate door styles
- **Must** be trimmed when Base End Panels (BEP) are used on adjacent cabinets
- Specify species and finish
- Installation instructions and mounting hardware included
- ☆ Regardless of construction option, model is constructed the same

❖ CH	2
❖ HK	2
❖ MP	2
❖ RO	2
❖ TH	2
❖ TL	2

V- Groove Panel

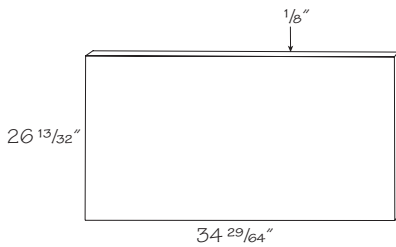


10a
VGP4834
VGP4896

- Can be used as wainscoting or to cover exposed backs of base and tall cabinets in peninsula and island configurations
- 3/16" thick veneered plywood panel
- V-Grooves spaced on 1 1/2" centers
- Finished one side only
- Painted or Stained plywood supplied for laminate door styles
- Available in all finishes; Maple Accent Glaze shipped standard finish
- One per carton

- ❖ CH (2)
- ❖ HK (2)
- ❖ MP (2)
- ❖ RO (2)
- ❖ TH (2)
- ❖ TL (2)

CoreGuard® Panel Backer



10a
CGPB36

- Light beige engineered polymer
- Used to patch backs of CoreGuard® cabinets
- One per carton

- CH (2)
- HK (2)
- MP (2)
- RO (2)
- TH (2)
- TL (2)

Shelving

Construction Options and Modifications

- ❖ Included as standard
 - Available with an upcharge
 - ☆ Available with exceptions
- (Blank) **Not** available

CH	Cherry	-----	②
HK	Hickory	-----	②
MP	Maple	-----	②
RO	Red Oak	-----	②
TH	Thermofoil	-----	②
TL	Textured Laminate	-----	②

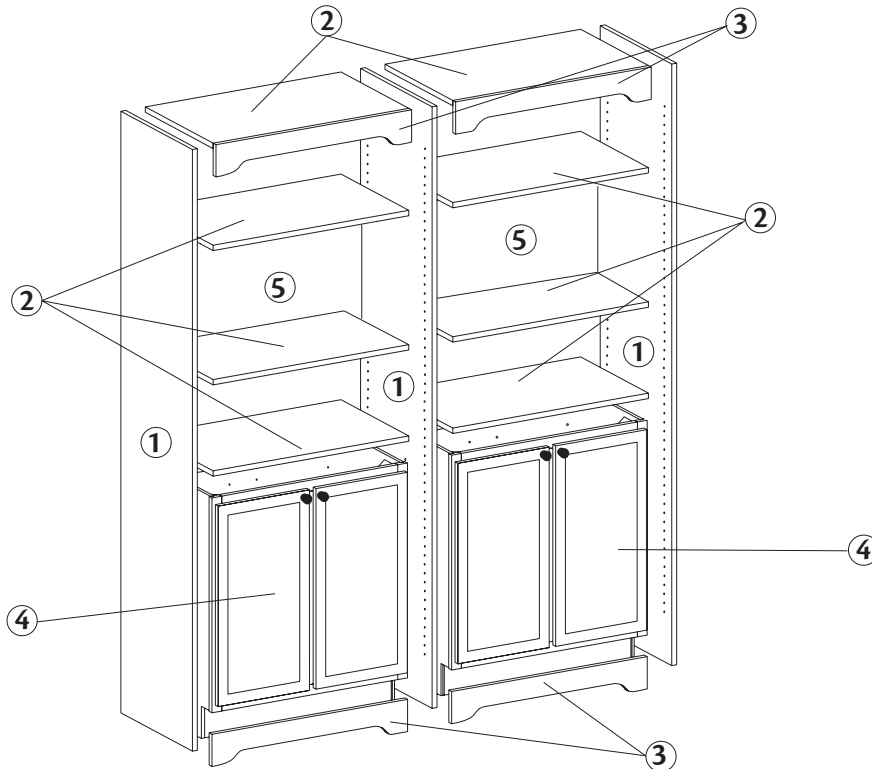
⑩g

USK1812-3/4

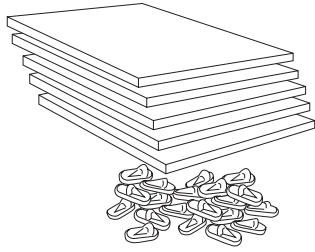
Design Ideas

Create your own furniture component system using standard base cabinets and cabinet accessories:

1. Furniture end panel (FEP, located in located in Tall Cabinet Accessories)
2. Furniture shelf (FS or HDFS, located in Shelving)
3. Furniture valance (TBV, located in Shelving)
4. Base cabinet with full-height doors (B30FH, located in Base Cabinets)
5. Furniture end panel, center drilled (FEP-CE, located in Tall Cabinet Accessories)



Shelf Kits



⑩a

3/4" Thick Shelves
Engineered Wood
Pantry Shelf Kit
10 19/32" deep
PCSK3612-3/4

Width
16 1/2"

Utility Shelf Kit
10 19/32" deep
USK1512-3/4
USK1812-3/4
USK2412-3/4

13 1/4"
16 1/4"
22 1/4"

Utility Shelf Kit
22 19/32" deep
USK1524-3/4
USK1824-3/4
USK2424-3/4

13 1/4"
16 1/4"
22 1/4"

Vanity Shelf Kit
19 19/32" deep
VLSK1521-3/4
VLSK1821-3/4
VLSK2421-3/4

13 1/4"
16 1/4"
22 1/4"

Plywood
Utility Shelf Kit
10 19/32" deep
+ **USK3012-3/4**
+ **USK3612-3/4**

28 1/4"
34 1/4"

Utility Shelf Kit
22 19/32" deep
+ **USK3024-3/4**
+ **USK3624-3/4**

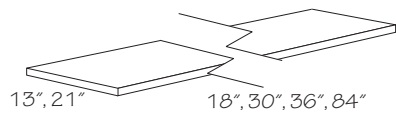
28 1/4"
34 1/4"

+ Always ship as plywood

- Easy to clean natural woodgrain laminated on both sides with matching edge banding on front edge
- Pantry Shelf Kit 10 19/32" deep for use in bottom section of 36" wide pantry cabinets. Utility Shelf Kit 10 19/32" deep for use in bottom section of 12" deep utility cabinets. Utility Shelf Kit 22 19/32" deep for use in bottom section of 24" deep utility cabinets. Vanity Shelf Kit 19 19/32" deep for use in bottom section of 21" Vanity Linen Cabinets
- Shelf kits that end in "3/4" are 3/4" thick engineered wood (SST, SDT, PST, PDT) except USK3012-3/4, USK3612-3/4, US3024-3/4 and USK3624-3/4
- USK3012-3/4, USK3612-3/4, US3024-3/4 and USK3624-3/4 are 11/16" thick plywood (SST, SDT, PST, PDT), also include back supports
- Shelf kits that end in "3/4" are available in All Plywood Construction (ADT) and shelves are 11/16" thick
- Kit includes: five shelves, 20 clear supports, 30" and 36" wide shelf kits also include five clear back supports

- CH ②
- HK ②
- MP ②
- RO ②
- TH ②
- TL ②

Furniture Shelf Kit



⑩a

13" Deep
FS3013
FS3613
FS1384
21" Deep
FS3021
FS3621
FS2184

13", 21" 18", 30", 36", 84"

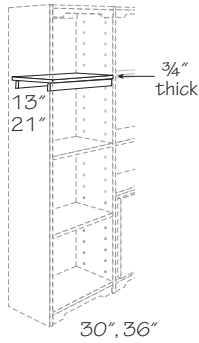
- 3/4" thick engineered wood
- Shelf load rating of 15 lbs. per square foot, **not** to exceed 50 lbs.
- 13" deep for books and decorative accessories, 21" deep for electronics
- Front and back edges finished
- Available in all finishes, except Maple Accent Glaze shipped standard finish
- Cherry, Hickory, Maple, and Oak have wood veneer surfaces, except for painted finishes
- Painted finishes have matching laminate surfaces
- Available in specie TL; when ordered, model will match frame finish
- Trimmed to fit installation
- Shelf supports **not** included
- **Not** available in All Plywood Construction (ADT)
- One per carton

- ❖ CH ②
- ❖ HK ②
- ❖ MP ②
- ❖ RO ②
- ❖ TH ②
- ❖ TL ②



For heavy-duty applications, use heavy duty shelves

Heavy Duty Furniture Shelf Kit



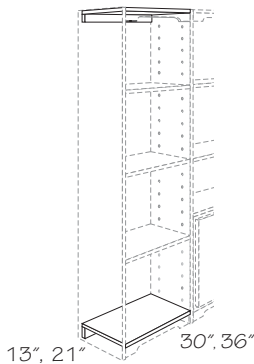
⑩a

13" Deep
HDFS3013
HDFS3613

- 3/4" thick engineered wood
- HDFS is reinforced and will support 30 lbs. per square foot.
- 13" deep for books and decorative accessories
- Front and back edges finished
- Available in all finishes, except Maple Accent Glaze shipped standard finish
- Cherry, Hickory, Maple, and Oak have wood veneer surfaces, except for painted finishes
- Painted finishes have matching laminate surfaces
- Available in specie TL; when ordered, model will match frame finish
- Adjustable shelves for use with modular shelving system
- Includes four shelf supports
- **Not** available in All Plywood Construction (ADT)
- One per carton

- ❖ CH ②
- ❖ HK ②
- ❖ MP ②
- ❖ RO ②
- ❖ TH ②
- ❖ TL ②

Shelf Top and Bottom



⑩a

13" Deep
STB3013
STB3613
 21" Deep
STB3021
STB3621

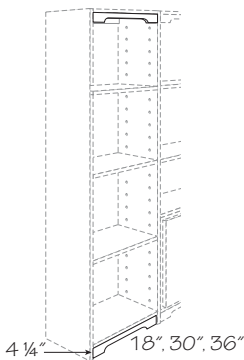
- 3/4" thick engineered wood
- Includes: shelf, hanger rail (to attach to wall) and cam lock fastener
- Front and back edges finished
- Available in all finishes, except Maple Accent Glaze shipped standard finish
- Cherry, Hickory, Maple, and Oak have wood veneer surfaces, except for painted finishes
- Painted finishes have matching laminate surfaces
- Available in specie TL; when ordered, model will match frame finish
- **Not** available in All Plywood Construction (ADT)
- One per carton

- ❖ CH ②
- ❖ HK ②
- ❖ MP ②
- ❖ RO ②
- ❖ TH ②
- ❖ TL ②



Furniture Top and Bottom Shelves are required for modular shelving system

Toeboard/Valance



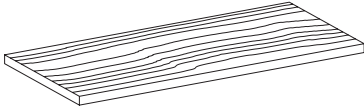
⑩a

TBV30
TBV36

- Attaches between uprights on the underside of STB's for decorative effect and to stabilize units
- Available in all finishes, except Maple Accent Glaze shipped standard finish
- Cherry, Hickory, Maple and Oak are 3/4" solid wood and have a traditional furniture shape on bottom
- Painted finishes are 3/4" engineered wood with matching laminate surfaces and straight finished bottom edge
- Painted or Stained hardwood supplied for laminate door styles
- **Not** available in All Plywood Construction (ADT)
- One per carton

- ❖ CH ②
- ❖ HK ②
- ❖ MP ②
- ❖ RO ②
- ❖ TH ②
- ❖ TL ②

New



Replacement Shelves

- ⑩a
- Base Shelf 12" deep*
RBS1212
RBS1512
RBS1812
RBS2112
RBS2412
RBS2712
RBS3012
RBS3312
RBS3612
RBS3912
★ **RBS3912HDS**
RBS4212
★ **RBS4212HDS**
RBS4512
★ **RBS4512HDS**
RBS4812
★ **RBS4812HDS**
RBS5412
★ **RBS5412HDS**
- Base Shelf 24" deep*
RBS1224
RBS1224BEA
RBS1524
RBS1824
RBS1824PB
RBS2124
RBS2124PB
RBS2424
RBS2424BCA
RBS2424BCD
RBS2424BEC
RBS2424PB
RBS2724
RBS2724PB
RBS3024
RBS3024BCD
RBS3024PB
RBS3324
RBS3624
RBS3624BCD
RBS3624PB
RBS3636BCFS
RBS3924
RBS4224
RBS4524
RBS4824
RBS5424
- Tall Shelf 12" deep*
RTS1512
RTS1812
RTS2412
RTS3012
RTS3612
- Tall Shelf 18" deep*
RTS1518
RTS1818
RTS2418

- ⑩a
- Tall Shelf 21" deep*
RTS1521
RTS1821
RTS2421
- Tall Shelf 24" deep*
RTS1524
RTS1824
RTS2424
RTS2724
RTS3024
RTS3324
RTS3624
- Vanity Wall Shelf 5" deep*
RVS1505VW
- Vanity Medicine Cabinet Shelves*
RVS1627MC
RVS24/3630TVMC
RVS3030TVMC-LSIDE
RVS3030TVMC-RSIDE
RVS3630TVMC
- Vanity Wall Boutique Replacement Shelf*
RVS2407VWB
- Vanity Base 18" deep*
RVS1818
- Vanity Base 21" deep*
RVS1821
- Wall Shelf 12" deep*
RWS0912
RWS1212
RWS1212WCA
RWS1212WEC
RWS1512
RWS1812
RWS1812PW
RWS2112
RWS2112PW
RWS2412
RWS2412PW
RWS2712
RWS3012
RWS3012PW
RWS3312
RWS3612
RWS3612PW
RWS3912
RWS4212
RWS4512
RWS4812

- ⑩a
- Wall Shelf 15" deep*
RWS0915
RWS1215
RWS1515
RWS1815
RWS2115
RWS2415
RWS2715
RWS2715WMS
RWS3015
RWS3015WMS
RWS3315
RWS3615
RWS3915
RWS4215
RWS4515
RWS4815
- Wall Shelf 18" deep*
RWS2418WMS
RWS2718WMS
RWS2718WMS
RWS3018WMS
- Wall Shelf 24" deep*
RWS0924
RWS1224
RWS1524
RWS1824
RWS2124
RWS2424
RWS2424WA
RWS2424WEZR
RWS2424PWA
RWS2724
RWS3024
RWS3324
RWS3624
RWS3924
RWS4224
RWS4524
RWS4824
- 27" deep*
RWS2727WA

- 3/4" engineered wood core
- Easy to clean natural woodgrain laminated on both sides with matching edge banding on front edge

- CH** ②
- HK** ②
- MP** ②
- RO** ②
- TH** ②
- TL** ②

★ Will have matching full-length support apron secured to the underside

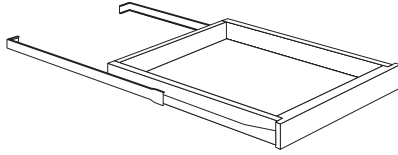
Grey color coding indicates new product, size or code.

Trays

Construction Options and Modifications

10a

BTK12



Base Tray Kit - Standard

10a

BTK12
BTK15
BTK18
BTK21
BTK24
BTK27
BTK27B

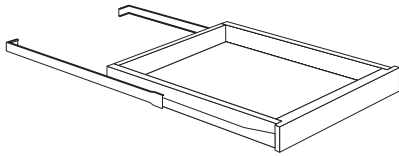
10a

BTK30B
BTK33
BTK33B
BTK36B
BTK36/39
BTK39
BTK45

- Installs in Base cabinets and 24" deep Utility cabinets
- Base cabinets utilize pre-drilled holes in the back panel
- Utility cabinets utilize pre-drilled holes in the end panels
- Includes tray core box, 3/4 extension left and right slides and installation hardware
- Tray front made of solid hardwood; tray sides, back and bottom panel are made of engineered wood covered with a moisture- and stain-resistant, easy clean laminate. Top edge of sides and back finished with matching edge banding
- One tray per kit

Item	Tray Width	For Use In:
BTK12	8 3/4"	B12, B12FH, BCD24DL/R-4D, SB12, UB12, UB12FH
BTK15	11 3/4"	B15, B15FH, B30, B30FH, BCD30DL/R-4D, DSB30, SB15, SB30, SB30FH, U158424, U159024, U159324, U159624, UB15, UB15FH
BTK18	14 3/4"	B18, B18FH, B36, B36FH, B54, BCD36DL/R-4D, DSB36, SB18, SB36, SB36FH, U188424, U189024, U189324, U189624, UB18, UB18FH
BTK21	17 3/4"	B21, B21FH, B42, B42FH, SB21, SB42, SB42UT, SB42FH, UB21, UB42, UB42FH
BTK24	20 3/4"	B24, B24B, B24FH, B24BFH, PBB24/27, PBB24/27B, B48, B48FH, SB24, SB24B, SB24FH, SB24BFH, SB48, SB48FH, U248424, U248424B, U249024, U249024B, U249324, U249324B, U249624, U249624B, UB24, UB24B, UB24FH, UB24BFH, UB48FH, UBT24B
BTK27	10 1/4"	BBC39/42
BTK27B	23 1/4"	B27B, B27BFH, SB27B, SB27BFH, UB27B, UB27BFH
BTK30B	26 1/4"	B30B, B30BFH, SB30B, SB30BFH, U308424B, U309024B, U309324B, U309624B, UB30B, UB30BFH
BTK33	13 1/4"	B33, B33FH, BBC42/45, DSB33, SB33, SB33FH
BTK33B	29 3/4"	B33B, B33BFH, SB33B, SB33BFH, UB33B, UB33BFH
BTK36B	32 3/4"	B36B, B36BFH, SB36B, SB36BFH, U368424B, U369024B, U369324B, U369624B
BTK36/39	7 1/4"	BBC36/39
BTK39	16 1/4"	B39, B39FH, BBC45/48, SB39, SB39FH, UB39FH
BTK45	19 1/4"	B45, B45FH, BBC48/51, UB45FH

Base Tray Kit - Double Faced, Standard



10a

BTK18DF
BTK21DF
BTK24DF

10a

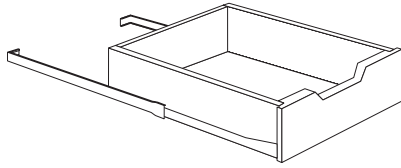
BTK27BDF
BTK30BDF
BTK36BDF

Grey color coding indicates new product, size or code.

- Installs in Peninsula Base (PB) cabinets
- Tray front and back are made of solid hardwood; tray sides and bottom panel are made of engineered wood covered with a moisture and stain-resistant, easy clean laminate. Top edge of sides finished with matching edge banding
- Includes tray core box, 3/4 extension left and right slides and installation hardware
- One tray per kit

Item	Tray Width	For Use In:
BTK18DF	14 3/4"	PB18, PB36
BTK21DF	17 3/4"	PB21
BTK24DF	20 3/4"	PB24, PB24B
BTK27BDF	23 3/4"	PB27B
BTK30BDF	26 3/4"	PB30B
BTK36BDF	32 3/4"	PB36B

Base Deep Tray Kit



10a

BDTK12
BDTK15
BDTK18
BDTK21
BDTK24
BDTK27

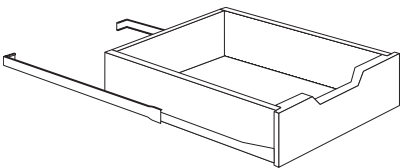
10a

BDTK27B
BDTK30B
BDTK33
BDTK33B
BDTK36B
BDTK39
BDTK45

- Installs in Base cabinets and 24" deep Utility cabinets
- Base cabinets utilize pre-drilled holes in the back panel
- Utility cabinets utilize pre-drilled holes in the end panel
- Includes tray core box, 3/4 extension left and right slides and installation hardware
- Trays are made of 1/2" thick solid hardwood; bottoms are .205" thick matching wood grain printed plywood covered with a moisture and stain resistant easy clean laminate
- Half-blind dovetail joinery all four corners
- 1 15/16" deep finger pull at midpoint of tray front
- 3 3/16" interior height along sides
- BDTK15, BDTK18, BDTK21, BDTK24, BDTK27B, BDTK30B and BDTK36B include brackets for installing in Peninsula Base (PB) cabinets
- Natural finish
- One tray per kit

Item	Tray Width	For Use In:
BDTK12	8"	B12, B12FH, BCD24DR-4D, BCD24DL-4D, SB12, UB12, UB12FH
BDTK15	11"	B15, B15FH, B30, B30FH, BCD30DR-4D, BCD30DL-4D, DSB30, PB30, SB15, SB30, SB30FH, SB30UT, U158424, U159024, U159324, U159624, UB15, UB15FH
BDTK18	14"	B18, B18FH, B36, B36FH, B54, BCD36DR-4D, BCD36DL-4D, DSB36, PB18, PB36, SB18, SB36, SB36FH, SB36UT, U188424, U189024, U189324, U189624, UB18, UB18FH
BDTK21	17"	B21, B21FH, B42, B42FH, PB21, SB21, SB42, SB42FH, SB42UT, UB21, UB42, UB42FH
BDTK24	20"	B24, B24B, B24BFH, B24FH, B48, B48FH, PB24, PB24B, PBBC24/27, PBBC24/27B, SB24, SB24B, SB24FH, SB24BFH, SB24BUT, SB24UT, SB48, SB48FH, SB48UT, U248424, U248424B, U249024, U249024B, U249324, U249324B, U249624, U249624B, UB24, UB24B, UB24FH, UB24BFH, UB48FH, UBT24B
BDTK27	9 1/2"	BBC39/42
BDTK27B	23"	B27B, B27BFH, PB27B, SB27B, SB27BFH, SB27BUT, UB27B, UB27BFH
BDTK30B	26"	B30B, B30BFH, PB30B, SB30B, SB30BFH, SB30BUT, U308424B, U309024B, U309324B, U309624B, UB30B, UB30BFH
BDTK33	12 1/2"	B33, B33FH, BBC42/45, DSB33, SB33, SB33FH, SB33UT
BDTK33B	29"	B33B, B33BFH, SB33B, SB33BFH, SB33BUT, UB33B, UB33BFH
BDTK36B	32"	B36B, B36BFH, PB36B, SB36B, SB36BFH, SB36BUT, U368424B, U369024B, U369324B, U369624B, UB36B, UB36BFH
BDTK39	15 1/2"	B39, B39FH, BBC45/48, SB39, SB39FH, SB39UT, UB39FH
BDTK45	18 1/2"	B45, B45FH, BBC48/51, UB45FH

Base Deep Tray Kit - Side Mount Full Extension



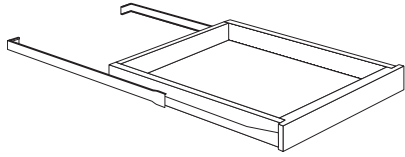
10a

BDTK30B-SMFE
BDTK33B-SMFE
BDTK36B-SMFE

- Installs in 30", 33" and 36" base cabinets with butt doors using pre-drilled holes in back panel
- **Not** for use in Utility cabinets
- Includes tray core box, full extension side mount ball bearing guides, and installation hardware
- Trays are made of 1/2" thick solid hardwood; bottoms are .205" thick matching wood grain printed plywood covered with a moisture and stain resistant easy clean laminate
- Half-blind dovetail joinery all four corners
- 1 15/16" deep finger pull at midpoint of tray front
- 3 3/16" interior height along sides
- Natural finish
- One tray per kit

Item	Tray Width	For Use In:
BDTK30B-SMFE	25 13/16"	B30B, B30BFH, BSD30B, SB30B, SB30BFH, SB30BUT, UB30B, UB30BFH
BDTK33B-SMFE	28 13/16"	B33B, B33BFH, SB33B, SB33BFH, SB33BUT, UB33B, UB33BFH
BDTK36B-SMFE	31 13/16"	B36B, B36BFH, BSD36B, SB36B, SB36BFH, SB36BUT, UB36B, UB36BFH

Vanity Tray Kit

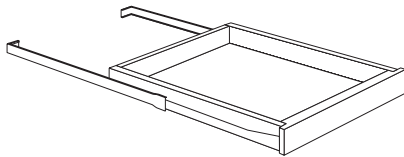


- ⑩a **VTK12**
 - VTK15**
 - VTK16**
 - VTK18**
 - VTK21**
 - VTK24**
- ⑩a **VTK27B**
 - VTK30B**
 - VTK33B**
 - VTK36B**

- Installs in 21" deep Vanity cabinets and 21" deep Vanity Linen Cabinets (VLC)
- Vanity cabinets utilize pre-drilled holes in the back panel
- Vanity Linen Cabinets (VLC) utilize pre-drilled holes in the end panels
- Includes tray core box, 3/4 extension left and right slides and installation hardware
- Tray front is made of solid hardwood; tray sides, back and bottom panel are made of engineered wood covered with a moisture and stain-resistant, easy clean laminate. Top edge of sides and back finished with matching edge banding
- VLC1848 cabinet end panels are **not** pre-drilled to accept VTK18
- One tray per kit

Item	Tray Width	For Use In:
VTK12	8 3/4"	VB12, VB1235, VB24FH, VB60FH, VB6035FH, VCD24DR/L, VCD2435DR/L, VSB42-2D, VSB4235-2D
VTK15	11 3/4"	VB15, VB1535, VB30FH, VB3035FH, VB48FH, VB4835FH, VCD30DR/L, VCD3035DR/L, VLC1584, VLC1590, VLC1596, VSB48-2D, VSB4835-2D, VSB60-2D, VSB6035-2D
VTK16	13 1/4"	VB33FH, VB3335FH
VTK18	14 3/4"	VB18, VB1835, VB18FH, VB1835FH, VB36FH, VB3635FH, VB48FH, VB4835FH, VB54FH, VB5435FH, VCD36DR/L, VCD3635DR/L, VCD42, VCD4235, VCD48, VCD4835, VLC1884, VLC1890, VLC1896, VSB36-2D, VSB3635-2D, VSB42-2D, VSB4235-2D, VSB48-2D, VSB4835-2D, VSB54-2D, VSB5435-2D
VTK21	17 3/4"	VB21, VB2135, VB21FH, VB2135FH, VB42FH, VB4235FH, VSB42, VSB4235, VSB54-3D, VSB5435-4D
VTK24	20 3/4"	VB24, VB2435, VB24B, VB24BFH, VB2435B, VB2435BFH, VB245FH, VB2435SFH, VLC2484, VLC2484B, VLC2490, VLC2490B, VLC2496, VLC2496B, VSB24B, VSB2435B
VTK27B	23 3/4"	VB27BFH, VB2735BFH, VSB27B, VSB2735B
VTK30B	26 3/4"	VB30BFH, VB3035BFH, VSB30B, VSB3035B
VTK33B	29 3/4"	VB33BFH, VB3335BFH, VSB33B, VSB3335B
VTK36B	32 3/4"	VB36BFH, VB3635BFH, VSB36B, VSB3635B

Vanity Tray Kit - Space Saver



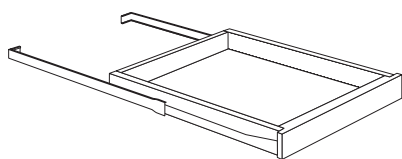
- ⑩a **VTKS12**
 - VTKS15**
 - VTKS18**
 - VTKS21**
 - VTKS24**
- ⑩a **VTKS27B**
 - VTKS30B**
 - VTKS33B**
 - VTKS36B**

Grey color coding indicates new product, size or code.

- Installs in 18" deep Vanity cabinets and 18" deep Vanity Linen Cabinets (VLC)
- Vanity cabinets utilize pre-drilled holes in the back panel
- Vanity Linen Cabinets (VLC) utilize pre-drilled holes in the end panels
- Includes tray core box, 3/4 extension left and right slides and installation hardware
- Tray front is made of solid hardwood; tray sides, back and bottom panel are made of engineered wood covered with a moisture and stain-resistant, easy clean laminate. Top edge of sides and back finished with matching edge banding
- VLC184818 cabinet end panels are **not** predrilled to accept VTKS18
- One tray per kit

Item	Tray Width	For Use In:
VTKS12	8 3/4"	VB1218, VB123518, VB2418FH, VB6018FH, VB603518FH, VCD2418DR/L, VCD243518DR/L, VSB4218-2D, VSB423518-2D, VSB6018-2D, VSB603518-2D
VTKS15	11 3/4"	VB1518, VB153518, VB3018FH, VB303518FH, VB4818FH, VCD3018DR/L, VCD303518DR/L, VSB4818-2D, VSB483518-2D, VLC158418, VLC159018, VLC159618
VTKS18	14 3/4"	VB1818, VB1818FH, VB183518, VB183518FH, VB3618FH, VB363518FH, VB5418FH, VB543518FH, VCD3618DR/L, VCD363518DR/L, VCD423518, VCD483518, VSB3618-2D, VSB363518-2D, VSB5418-2D, VSB543518-2D, VLC188418, VLC189018, VLC189618
VTKS21	17 3/4"	VB2118, VB2118FH, VB213518, VB213518FH, VB4218FH, VB423518FH, VSB4218, VSB423518, VSB5418-3D, VSB543518-4D
VTKS24	20 3/4"	VB2418, VB2418B, VB2418BFH, VB2418SFH, VB243518, VB243518B, VB243518SFH, VB243518BFH, VB483518FH, VSB2418B, VSB243518B, VLC248418, VLC248418B, VLC249018, VLC249018B, VLC249618, VLC249618B
VTKS27B	23 3/4"	VB2718BFH, VB273518BFH, VSB2718B, VSB273518B
VTKS30B	26 3/4"	VB3018BFH, VB303518BFH, VSB3018B, VSB303518B
VTKS33B	29 3/4"	VB3318BFH, VB333518BFH, VSB3318B, VSB333518B
VTKS36B	32 3/4"	VB3618BFH, VB363518BFH, VSB3618B, VSB363518B

Roll-Out Trays - Solid Wood



10a

Vanity Cabinets 18"
 Deep
ROT1518
ROT1818
ROT2418B
ROT2718B
ROT3018B

Vanity Cabinets 21"
 Deep
ROT1221
ROT1521
ROT1821
ROT2121
ROT2421B
ROT2721B
ROT3021B
ROT3321B
ROT3621B

10a

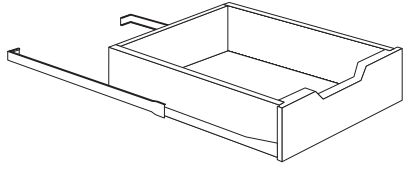
Base Cabinets 24" Deep
ROT1224
ROT1524
ROT1824
ROT2124
ROT2424B
ROT2724B
ROT3024B
ROT3324
ROT3324B
ROT3624B
ROT3924
ROT4524

- Installs in Base, Utility, Vanity and Vanity Linen Cabinets (VLC)
- Base and Vanity cabinets utilize pre-drilled holes in the back panel
- Utility and Vanity Linen Cabinets (VLC) utilize pre-drilled holes in the end panels
- Includes tray core box, 3/4 extension left and right slides and installation hardware
- Solid hardwood tray core with 3/4" thick front and 1/2" thick sides and back
- .205" thick plywood bottom panel finished on the top side with a moisture and stain resistant, easy clean laminate with printed matching wood grain
- Natural finish
- One tray per kit

Item (by depth) 18" deep	Tray Width	For Use In:
ROT1518	11 3/4"	VB1518, VB153518, VB3018FH, VB303518FH, VB303518DR/L, VB4818FH, VB6018FH, VCD3018DR/L, VCD303518DR/L, VSB4818-2D, VSB483518-2D, VLC158418, VLC159018, VLC159618
ROT1818	14 3/4"	VB1818, VB1818FH, VB183518, VB183518FH, VB3618FH, VB363518FH, VB4818FH, VB5418FH, VB543518FH, VCD3618DR/L, VCD363518DR/L, VCD423518, VCD483518, VSB3618-2D, VSB363518-2D, VSB5418-2D, VSB543518-2D, VLC188418, VLC189018, VLC189618
ROT2418B	20 3/4"	VB2418, VB2418B, VB2418BFH, VB2418SFH, VB243518, VB243518B, VB243518SFH, VB243518BFH, VB483518FH, VSB2418B, VSB243518B, VLC248418, VLC248418B, VLC249018, VLC249018B, VLC249618, VLC249618B
ROT2718B	23 3/4"	VB2718BFH, VB273518BFH, VSB2718B, VSB273518B
ROT3018B	26 3/4"	VB3018BFH, VB303518BFH, VSB3018B, VSB303518B
21" Deep		
ROT1221	8 3/4"	VB12, VB1235, VB24FH, VCD24DR/L, VCD2435DR/L, VSB42-2D, VSB4235-2D
ROT1521	11 3/4"	VB15, VB1535, VB30FH, VB3035FH, VB48FH, VB4835FH, VB60FH, VB6035FH, VCD30DR/L, VCD3035DR/L, VLC1584, VLC1590, VLC1596, VSB48-2D, VSB4835-2D, VSB60-2D, VSB6035-2D
ROT1821	14 3/4"	VB18, VB1835, VB18FH, VB1835FH, VB36FH, VB3635FH, VB48FH, VB4835FH, VB54FH, VB5435FH, VCD36DR/L, VCD3635DR/L, VCD42, VCD4235, VCD48, VCD4835, VLC1884, VLC1890, VLC1896, VSB36-2D, VSB3635-2D, VSB42-2D, VSB4235-2D, VSB48-2D, VSB4835-2D, VSB54-2D, VSB5435-2D
ROT2121	17 3/4"	VB21, VB2135, VB21FH, VB2135FH, VB42FH, VB4235FH, VSB42, VSB4235, VSB54-3D, VSB5435-4D
ROT2421B	20 3/4"	VB24, VB2435, VB24B, VB24BFH, VB2435B, VB2435BFH, VB2435FH, VB2435SFH, VLC2484, VLC2484B, VLC2490, VLC2490B, VLC2496, VLC2496B, VSB24B, VSB2435B
ROT2721B	23 3/4"	VB27BFH, VB2735BFH, VSB27B, VSB2735B
ROT3021B	26 3/4"	VB30BFH, VB3035BFH, VSB30B, VSB3035B
ROT3321B	29 3/4"	VB33BFH, VB3335BFH, VSB33B, VSB3335B
ROT3621B	32 3/4"	VB36BFH, VB3635BFH, VSB36B, VSB3635B
24" Deep		
ROT1224	8 3/4"	B12, B12FH, BCD24DL/R-4D, SB12, UB12, UB12FH
ROT1524	11 3/4"	B15, B15FH, B30, B30FH, BCD30DL/R-4D, DSB30, SB15, SB30, SB30FH, U158424, U159024, U159324, U159624, UB15, UB15FH
ROT1824	14 3/4"	B18, B18FH, B36, B36FH, B54, BCD36DL/R-4D, DSB36, SB18, SB36, SB36FH, U188424, U189024, U189324, U189624, UB18, UB18FH
ROT2124	17 3/4"	B21, B21FH, B42, B42FH, SB21, SB42, SB42FH, UB21, UB42, UB42FH
ROT2424B	20 3/4"	B24, B24B, B24FH, B24BFH, PBBC24/27, PBBC24/27B, B48, B48FH, SB24, SB24B, SB24FH, SB24BFH, SB48, SB48FH, U248424, U248424B, U249024, U249024B, U249324, U249324B, U249624, U249624B, UB24, UB24B, UB24FH, UB24BFH, UB48FH, UBT24B
ROT2724B	23 3/4"	B27B, B27BFH, SB27B, SB27BFH, UB27B, UB27BFH
ROT3024B	26 3/4"	B30B, B30BFH, SB30B, SB30BFH, U308424B, U309024B, U309324B, U309624B, UB30B, UB30BFH
ROT3324	13 1/4"	B33, B33FH, BBC42/45, DSB33, SB33, SB33FH
ROT3324B	29 3/4"	B33B, B33BFH, SB33B, SB33BFH, UB33B, UB33BFH
ROT3624B	32 3/4"	B36B, B36BFH, SB36B, SB36BFH, U368424B, U369024B, U369324B, U369624B
ROT3924	16 1/4"	B39, B39FH, BBC45/48, SB39, SB39FH, UB39FH
ROT4524	19 1/4"	B45, B45FH, BBC48/51, UB45FH

New

Vanity Deep Tray Kit



- ⑩a VDTK12
- ⑩a VDTK15
- ⑩a VDTK18
- ⑩a VDTK21
- ⑩a VDTK24
- ⑩a VDTK27B
- ⑩a VDTK30B
- ⑩a VDTK33B
- ⑩a VDTK36B

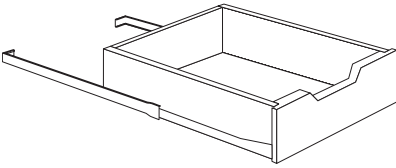
Grey color coding indicates new product, size or code.

- Installs in 21" deep Vanity cabinets and 21" deep Vanity Linen Cabinets (VLC)
- Vanity cabinets utilize pre-drilled holes in the back panel
- Vanity Linen Cabinets (VLC) utilize pre-drilled holes in the end panels
- Includes tray core box, 3/4 extension left and right slides and installation hardware
- Trays are made of 1/2" thick solid hardwood; bottoms are .205" thick matching woodgrain printed plywood covered with a moisture and stain resistant easy clean laminate
- Half-blind dovetail joinery all four corners
- 1 15/16" deep finger pull at midpoint of tray front
- 3 3/16" interior height along sides
- Natural finish
- One tray per kit

Item	Tray Width	For Use In:
VDTK12	8"	VB12, VB1235, VB24FH, VB60FH, VB6035FH, VCD24DR/L, VCD2435DR/L, VSB42-2D, VSB4235-2D
VDTK15	11"	VB15, VB1535, VB30FH, VB3035FH, VB48FH, VB4835FH, VCD30DR/L, VCD3035DR/L, VLC1584, VLC1590, VLC1596, VSB48-2D, VSB4835-2D, VSB60-2D, VSB6035-2D
VDTK18	14"	VB18, VB1835, VB18FH, VB1835FH, VB36FH, VB3635FH, VB48FH, VB4835FH, VB54FH, VB5435FH, VCD36DR/L, VCD3635DR/L, VCD42, VCD4235, VCD48, VCD4835, VLC1884, VLC1890, VLC1896, VSB36-2D, VSB3635-2D, VSB42-2D, VSB4235-2D, VSB48-2D, VSB4835-2D, VSB54-2D, VSB5435-2D
VDTK21	17"	VB21, VB2135, VB21FH, VB2135FH, VB42FH, VB4235FH, VSB42, VSB4235, VSB54-3D, VSB5435-4D
VDTK24	20"	VB24, VB2435, VB24B, VB24BFH, VB2435B, VB2435BFH, VB245FH, VB2435SFH, VLC2484, VLC2484B, VLC2490, VLC2490B, VLC2496, VLC2496B, VSB24B, VSB2435B
VDTK27B	23"	VB27BFH, VB2735BFH, VSB27B, VSB2735B
VDTK30B	26"	VB30BFH, VB3035BFH, VSB30B, VSB3035B
VDTK33B	29"	VB33BFH, VB3335BFH, VSB33B, VSB3335B
VDTK36B	32"	VB36BFH, VB3635BFH, VSB36B, VSB3635B

New

Vanity Deep Tray Kit - Space Saver



- ⑩a VDTKS12
- ⑩a VDTKS15
- ⑩a VDTKS18
- ⑩a VDTKS21
- ⑩a VDTKS24
- ⑩a VDTKS27B
- ⑩a VDTKS30B
- ⑩a VDTKS33B
- ⑩a VDTKS36B

Grey color coding indicates new product, size or code.

- Installs in 18" deep Vanity cabinets and 18" deep Vanity Linen Cabinets (VLC)
- Vanity cabinets utilize pre-drilled holes in the back panel
- Vanity Linen Cabinets (VLC) utilize pre-drilled holes in the end panels
- Includes tray core box, 3/4 extension left and right slides and installation hardware
- Trays are made of 1/2" thick solid hardwood; bottoms are .205" thick matching woodgrain printed plywood covered with a moisture and stain resistant easy clean laminate
- Half-blind dovetail joinery all four corners
- 1 15/16" deep finger pull at midpoint of tray front
- 3 3/16" interior height along sides
- Natural finish
- One tray per kit

Item	Tray Width	For Use In:
VDTKS12	8"	VB1218, VB123518, VB2418FH, VB6018FH, VB603518FH, VCD2418DR/L, VCD243518DR/L, VSB4218-2D, VSB423518-2D, VSB6018-2D, VSB603518-2D
VDTKS15	11"	VB1518, VB153518, VB3018FH, VB303518FH, VB4818FH, VCD3018DR/L, VCD303518DR/L, VSB4818-2D, VSB483518-2D, VLC158418, VLC159018, VLC159618
VDTKS18	14"	VB1818, VB1818FH, VB183518, VB183518FH, VB3618FH, VB363518FH, VB5418FH, VB543518FH, VCD3618DR/L, VCD363518DR/L, VCD423518, VCD483518, VSB3618-2D, VSB363518-2D, VSB5418-2D, VSB543518-2D, VLC188418, VLC189018, VLC189618
VDTKS21	17"	VB2118, VB2118FH, VB213518, VB213518FH, VB4218FH, VB423518FH, VSB4218, VSB423518, VSB5418-3D, VSB543518-4D
VDTKS24	20"	VB2418, VB2418B, VB2418BFH, VB2418SFH, VB243518, VB243518B, VB243518SFH, VB243518BFH, VB483518FH, VSB2418B, VSB243518B, VLC248418, VLC248418B, VLC249018, VLC249018B, VLC249618, VLC249618B
VDTKS27B	23"	VB2718BFH, VB273518BFH, VSB2718B, VSB273518B
VDTKS30B	26"	VB3018BFH, VB303518BFH, VSB3018B, VSB303518B
VDTKS33B	29"	VB3318BFH, VB333518BFH, VSB3318B, VSB333518B
VDTKS36B	32"	VB3618BFH, VB363518BFH, VSB3618B, VSB363518B

Supports and Valances

Construction Options and Modifications

- ❖ Included as standard
- Available with an upcharge
- ☆ Available with exceptions

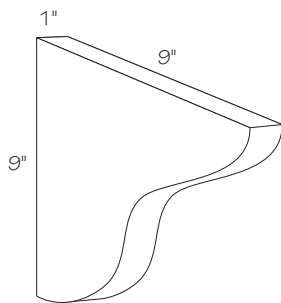
(Blank) **Not** available

10a

CTSB

CH	Cherry	-----	②
HK	Hickory	-----	②
MP	Maple	-----	②
RO	Red Oak	-----	②
TH	Thermofoil	-----	②
TL	Textured Laminate	-----	②

Countertop Support Bracket



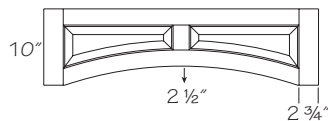
10a

CTSB

- Solid wood
- Vertical wood grain
- For use as additional shelf or countertop support
- Available in all finishes
- Painted or Stained hardwood supplied for Laminate door styles
- Includes 2 recessed metal keyhole brackets installed on backside
- Mounting hardware included
- Two per carton

❖ CH	②
❖ HK	②
❖ MP	②
❖ RO	②
❖ TH	②
❖ TL	②

Valance Raised Panel



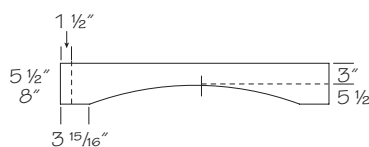
10a

**V30RP
V36RP
V42RP
V48RP**

- Solid wood raised center panels with cove profile
- 3/4" thick solid wood stiles and rails
- For use between wall cabinets over windows as a panel to conceal light fixtures
- Finished on both sides
- Painted or Stained hardwood supplied for Laminate door styles
- Can be trimmed in field 2" each end
- Available in all finishes
- One per carton

❖ CH	②
❖ HK	②
❖ MP	②
❖ RO	②
❖ TH	②
❖ TL	②

Valance Shaker



10a

5 1/2" High
**V18SH
V24SH
V30SH
V36SH
V42SH
V48SH
V60SH
V72SH
V84SH**

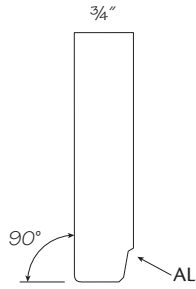
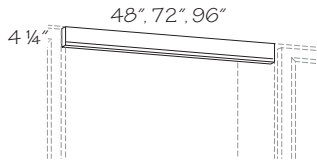
10a

8" High
**V1808SH
V2408SH
V3008SH
V3608SH
V4208SH
V4808SH
V6008SH
V7208SH
V8408SH**

- 3/4" thick solid wood
- For use between wall cabinets over windows as a panel to conceal light fixtures
- Backside **not** intended to be viewed
- Painted or Stained hardwood supplied for Laminate door styles
- Finished on both sides
- No decorative profile along either long edge
- Can be trimmed in field 1 1/2" each end
- Available in all finishes
- One per carton

❖ CH	②
❖ HK	②
❖ MP	②
❖ RO	②
❖ TH	②
❖ TL	②

Valance Traditional



⑩a

Solid Wood
48" Long

■ **V48T**

72" Long

■ **V72T**

96" Long

■ **V96T**

Textured Laminate
96" Long

▲ **V96T-TL**

Grey color coding indicates new product, size or code.

- Front and back sides are finished;
Profiled edge;
Available in all finishes;
Available in species TL, when ordered
model will match face frame
- ▲ Laminated Medium Density Fiberboard
(MDF) on one side with two long sides
edge banded;
Square edge;
Available in species TL only, when ordered
model will match door and drawer front
Laminate

- For use between wall cabinets over windows as a panel to conceal light fixtures
- Maple Accent Glaze has one accent line (AL) on front profile
- Backside **not** intended to be viewed
- One per carton
- **Note:** White and Textured Laminate has no profiled edges for a more contemporary look. **Not** shown

- ❖ CH ②
- ❖ HK ②
- ❖ MP ②
- ❖ RO ②
- ❖ TH ②
- ❖ TL ②

Moldings

Construction Options and Modifications

- ❖ Included as standard
- Available with an upcharge
- ☆ Available with exceptions

(Blank) **Not** available

CH	Cherry	-----	②
HK	Hickory	-----	②
MP	Maple	-----	②
RO	Red Oak	-----	②
TH	Thermofoil	-----	②
TL	Textured Laminate	-----	②

10a

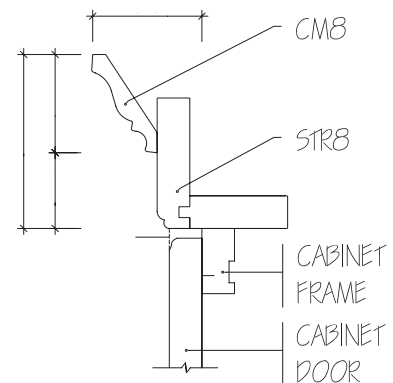
AOSC8

Molding Stack Information



Supplies for installation

- Miter saw and sharp blade
- Screw gun, drill and bits
- 23 and 18 gauge pins and pinners
- Air compressor and hoses
- Laser or level
- Touch up kit and materials
- White soft rag
- Wood glue
- Clamps
- Hammer, nail set or spring loaded nail set
- Tape measure
- 4 ft. and 6 ft. ladder
- #2 pencil, white pencil and sharpener
- Cover for work area



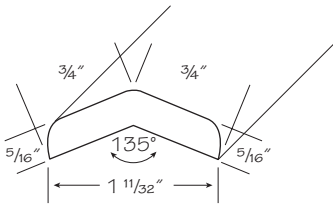
Installation Tips:

- Cover countertops and work area to ensure a clean, free from damage work situation.
- Use a nail gun with a 23 gauge pin for trim. Standard is typically 18 gauge, however the 23 gauge micro pin makes smallest holes to minimize fill work.
- Expect to lose up to 4"- 7" per cut when planning molding requirements.
- Apply finish material to the cut edges using a Touch Up Pen prior to joining the pieces together. This step will help conceal raw edges if the joint is slightly off.
- Start from either the right or left side when setting the top molding in place. Determine the desired overhang to wall cabinetry and door overlay type. Molding is typically pulled so the bottom edge is flush with the door face, however, the final overhang can be set to the customer's preference. Use the same process for under cabinet molding installation.
- Using Starter Molding is recommended, although, scrap material may be used as mounting blocks as long as they are **not** exposed after installation is complete. Use construction adhesive.
- Side return moldings: Cabinets with decorative end panels applied should have the same overhang as the face. For cabinets that have flush end panels, an overhang of 1/4" is recommended.
- Brad nail and pin length will be determined by the molding thickness (1/2" to 2" should suffice). Starter Molding or mounting blocks can be screwed into place instead of using nails or pins (**Note:** Drilling pilot holes is required when using screws. Be sure to use the proper screw length-based on material thickness). Using wood glue at the joints is recommended.
- After installation is complete, use a fill stick and touch up pen to fill nail holes, fine-tune miter joints and repair other blemishes that may have occurred during the installation process. Wipe clean using a soft cotton cloth.



To add Molding Stacks in your 2020 Design, locate them in the Drag 'N Drop list under: Moldings>Top Moldings>Pre-Stacked Moldings. To view the PDFs, right-click on a specific stack and go to specs.

Angled Outside Corner Molding - 135°

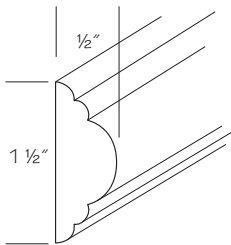


⑩a
AOSC8
AOSC8-25

- Solid wood
- Used to cover joint when two panels meet at 135°
- Backs **not** finished
- Available in all finishes; Maple Accent Glaze shipped standard finish
- Available in all painted finishes, which are painted hardwood
- Painted or Stained hardwood supplied for Laminate door styles
- Molding will be solid hardwood and match the colors of our Maple, Cherry, Hickory and Oak finishes
- Offered in individual 8' lengths or cartons of 25 (200 ft.)

❖ CH	②
❖ HK	②
❖ MP	②
❖ RO	②
❖ TH	②
❖ TL	②

Chair Rail Molding

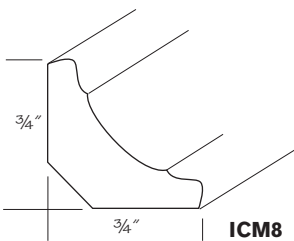


⑩a
CR8
CR8-15

- Solid wood
- Can also be used as a countertop nosing
- Backs **not** finished
- Available in all finishes, except Maple Accent Glaze shipped standard finish
- Painted or Stained hardwood supplied for Laminate door styles
- Molding will be solid hardwood and match the colors of our Maple, Cherry, Hickory and Oak finishes
- Offered in individual 8' lengths or cartons of 15 (120 ft.)

❖ CH	②
❖ HK	②
❖ MP	②
❖ RO	②
❖ TH	②
❖ TL	②

Corner Molding



⑩a
Inside Corner Molding
Solid Wood
ICM8
ICM8-25

Paper Wrapped
ICPM8
ICPM8-20

Textured Laminate
ICM8-TL

Outside Corner Molding
Solid Wood
OSC8
OSC8-25

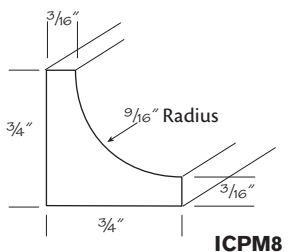
Paper Wrapped
OSCP8
OSCP8-20

Textured Laminate
OSC8-TL

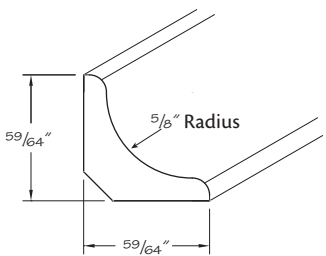
Grey color coding indicates new product, size or code.

- Solid Wood: Available in all finishes in Cherry, Hickory, Oak and Maple, including painted finishes. White is plastic wrapped in white paper. Available in specie TL; when ordered, model will match frame finish. **Not** available with Maple Accent Glaze. Offered in individual 8' lengths or cartons of 25 (200 ft.). Molding will be solid hardwood and match the colors of our Maple, Cherry, Hickory and Oak finishes.
- Paper Wrapped: Only available in Oak finishes and White. Paper wrapped MDF or plastic. **Not** available in TL species. Oak is MDF wrapped in simulated woodgrain paper. Offered in individual 8' lengths or cartons of 20 (160 ft.).
- Textured Laminate: Medium Density Fiberboard (MDF) wrapped in textured wood grain Laminate. Available in specie TL only; when ordered, model will match door and drawer front laminate. Offered in individual 8' lengths.
- Backs **not** finished

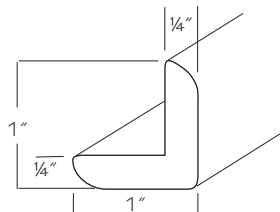
❖ CH	②
❖ HK	②
❖ MP	②
❖ RO	②
❖ TH	②
❖ TL	②



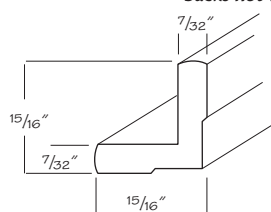
ICPM8



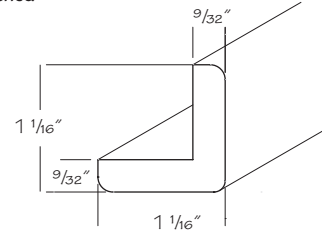
ICM8-TL



OSC8

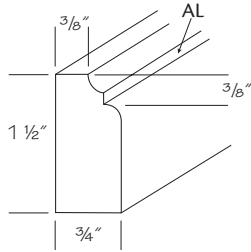


OSCP8



OSC8-TL

Countertop Molding - Decorative Edge



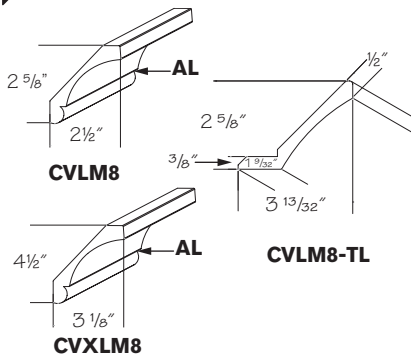
⑩a

CTD8
CTD8-16

- Solid wood
- Backs **not** finished
- Available in all finishes
- Used as countertop nosing
- Can be used under wall cabinets to conceal light fixtures
- Maple Accent Glaze has one accent line (AL) on front profile
- Moldings in painted finishes and painted finishes with glazes are painted hardwood
- Painted or Stained hardwood supplied for Laminate door styles
- Molding will be solid hardwood and match the colors of our Maple, Cherry, Hickory and Oak finishes
- Offered in individual 8' lengths or cartons of 16 (128 ft.)

- ❖ CH ②
- ❖ HK ②
- ❖ MP ②
- ❖ RO ②
- ❖ TH ②
- ❖ TL ②

New



Cove Molding

⑩a

Cove Large Molding Solid Wood 8'

■ **CVLM8**
■ **CVLM8-4**

Cove Large Molding Textured Laminate 8'

■ **CVLM8-TL**

Cove Large Molding Solid Wood 10'

■ **CVLM-SW10**
■ **CVLM-SW10-4**

Cove Extra Large Molding 8'

■ **CVXLM8**

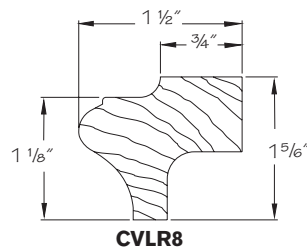
Grey color coding indicates new product, size or code.

- Painted or Stained hardwood supplied for Laminate door styles

- Solid wood
- Available in all finishes
- Back **not** finished
- Allow sufficient space between top of cabinet and soffit or ceiling to accommodate molding
- Maple Accent Glaze has one accent line (AL) on front profile
- Molding will be solid hardwood and match the colors of our Maple, Cherry, and Oak finishes
- CVLM8-TL is Medium Density Fiberboard (MDF) wrapped in textured wood grain Laminate, Available in specie TL only; when ordered, model will match door and drawer front laminate
- Offered in individual 8' and 10' lengths or in cartons of four (8' = 32 ft., 10' = 40 ft.)

- ❖ CH ②
- ❖ HK ②
- ❖ MP ②
- ❖ RO ②
- ❖ TH ②
- ❖ TL ②

New



Cove Light Rail Molding

⑩a

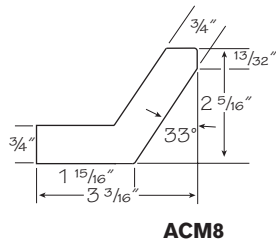
CVLR8
CVLR8-6

Grey color coding indicates new product, size or code.

- Solid wood
- Can be used under wall cabinets to conceal light fixtures
- All surfaces finished
- Available in all finishes, except Maple Accent Glaze shipped standard finish
- Painted or Stained hardwood supplied for Laminate door styles
- Molding will be solid hardwood and match the colors of our Maple, Cherry, and Oak finishes
- Offered in individual 8' lengths or cartons of six (48 ft.)

- ❖ CH ②
- ❖ HK ②
- ❖ MP ②
- ❖ RO ②
- ❖ TH ②
- ❖ TL ②

Angle Crown Molding



ACM8

⑩a

Finished

ACM8
ACM8-6

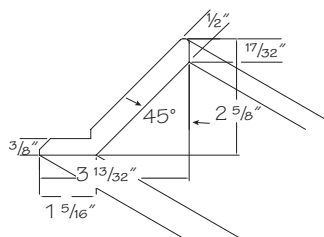
Unfinished

ACM8-UF
ACM8-6-UF

Textured Laminate

ACM8-TL

Grey color coding indicates new product, size or code.

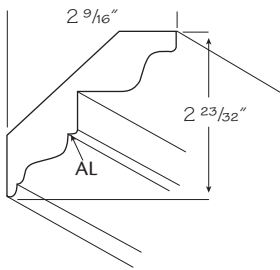


ACM8-TL

- For use with traditional or full overlay door styles
- Installs directly to top of cabinet
- Allow sufficient space between top of cabinet and soffit or ceiling to accommodate molding
- Solid Wood:
 - Molding will be solid hardwood and match the colors of our Maple, Cherry, Hickory and Oak finishes
 - Offered in individual 8' lengths or cartons of six (48 ft.)
 - Available in specie TL; when ordered, model will match frame finish
- Available in all painted finishes, which are painted hardwood
- Available in all finishes, except Maple Accent Glaze shipped standard finish and white finish
- Unfinished:
 - Only available in unfinished Cherry, Maple and Red Oak
- Textured Laminate:
 - Medium Density Fiberboard (MDF) wrapped in textured wood grain Laminate, Available in specie TL only; when ordered, model will match door and drawer front laminate
 - Backs **not** finished
 - Offered in individual 8' lengths

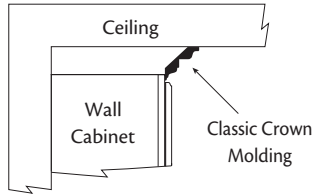
- ❖ CH ②
- ❖ HK ②
- ❖ MP ②
- ❖ RO ②
- ❖ TH ②
- ❖ TL ②

Classic Crown Molding



⑩a

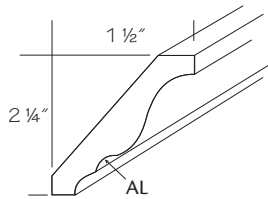
8' length
CCM8
 10' length
CCM-SW10



- Solid wood
- Available in all finishes
- Backs **not** finished
- Allow sufficient space between top of cabinet and soffit or ceiling to accommodate molding
- Includes recess for the application of Dentil Molding (DM8), Single Bead Trim Molding (SBT8), Rope Molding (RM8), Windmere Rope Molding (WRM8) or Tapestry Insert Molding (TIM8)
- Maple Accent Glaze has one accent line (AL) on front profile
- Moldings in painted finishes and painted finishes with glazes are painted hardwood
- Molding will be solid hardwood and match the colors of our Maple, Cherry, Hickory and Oak finishes
- Painted or Stained hardwood supplied for Laminate door styles
- Offered in individual 8' and 10' lengths

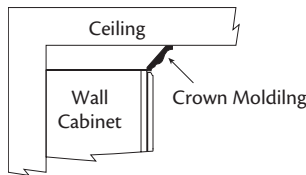
- ❖ CH ②
- ❖ HK ②
- ❖ MP ②
- ❖ RO ②
- ❖ TH ②
- ❖ TL ②

Crown Molding



⑩a

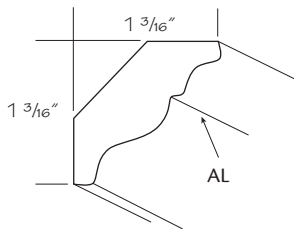
8' length
CM8
CM8-15
 10' length
CM-SW10
CM-SW10-15



- Solid wood
- Available in all finishes
- Backs **not** finished
- Allow sufficient space between top of cabinet and soffit or ceiling to accommodate molding
- Maple Accent Glaze has one accent line (AL) on front profile
- Moldings in painted finishes and painted finishes with glazes are painted hardwood
- Painted or Stained hardwood supplied for Laminate door styles
- Molding will be solid hardwood and match the colors of our Maple, Cherry, Hickory and Oak finishes
- Offered in individual 8' or 10' lengths or in cartons of 15 (8' = 120 ft., 10' = 150 ft.)

- ❖ CH ②
- ❖ HK ②
- ❖ MP ②
- ❖ RO ②
- ❖ TH ②
- ❖ TL ②

Soffit Crown Molding



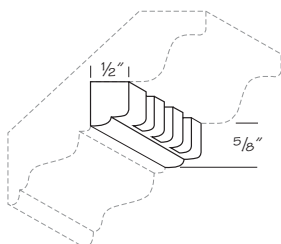
⑩a

8' length
SCM8
 10' length
SCM-SW10

- Solid wood
- Available in all finishes
- Backs **not** finished
- Allow sufficient space between top of cabinet and soffit or ceiling to accommodate molding
- Maple Accent Glaze has one accent line (AL) on front profile
- Moldings in painted finishes and painted finishes with glazes are painted hardwood
- Painted or Stained hardwood supplied for Laminate door styles
- Molding will be solid hardwood and match the colors of our Maple, Cherry, Hickory and Oak finishes
- Offered in individual 8' and 10' lengths

- ❖ CH ②
- ❖ HK ②
- ❖ MP ②
- ❖ RO ②
- ❖ TH ②
- ❖ TL ②

Dentil Molding



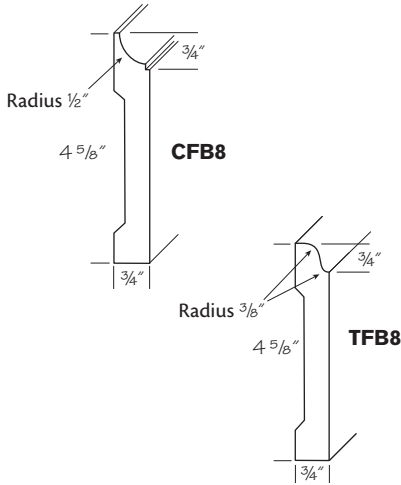
⑩a

DM8

- Solid wood
- Used to decorate/trim space between doors and ceilings/soffit. Can be combined with Classic Crown Molding (CCM8) to create a cornice effect
- Backs **not** finished
- Available in all finishes, except Maple Accent Glaze shipped standard finish
- Molding will be solid hardwood and match the colors of our Maple, Cherry, Hickory and Oak finishes
- Painted or Stained hardwood supplied for Laminate door styles
- Offered in individual 8' lengths
- **Note:** Dentil Molding (DM8) shown used with Classic Crown Molding (CCM8)

- ❖ CH ②
- ❖ HK ②
- ❖ MP ②
- ❖ RO ②
- ❖ TH ②
- ❖ TL ②

Furniture Base



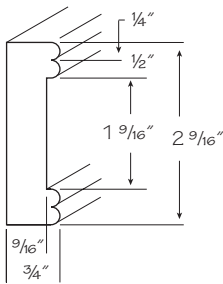
⑩a

Contemporary Furniture Base
CFB8
 Traditional Furniture Base
TFB8

- Solid wood
- Backs **not** finished
- Available in all finishes; Maple Accent Glaze shipped standard finish
- Molding will be solid hardwood and match the colors of our Maple, Cherry, Hickory and Oak finishes
- Painted or Stained hardwood supplied for Laminate door styles
- Offered in individual 8' lengths

- ❖ CH ②
- ❖ HK ②
- ❖ MP ②
- ❖ RO ②
- ❖ TH ②
- ❖ TL ②

Library Molding



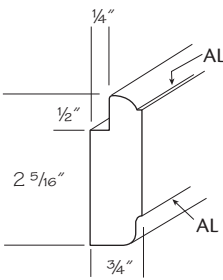
⑩a

LM8
LM8-10

- Solid wood
- Available in all finishes; Maple Accent Glaze shipped standard finish
- Includes a 1 9/16" wide flat recess so that it can be combined with other decorative moldings
- Backs **not** finished
- Molding will be solid hardwood and match the colors of our Maple, Cherry, Hickory and Oak finishes
- Painted or Stained hardwood supplied for Laminate door styles
- Offered in individual 8' lengths or cartons of 10 (80 ft.)

- ❖ CH ②
- ❖ HK ②
- ❖ MP ②
- ❖ RO ②
- ❖ TH ②
- ❖ TL ②

Mirror Molding



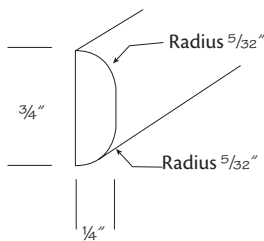
⑩a

MM8
MM8-2

- Used to trim and support mirror glasses
- Can be used with 1/8" or 1/4" thick mirror glass or picture framing. 1/8" mirror glass requires 1/8" masonite backer
- Backs **not** finished
- Available in all finishes
- Maple Glaze has two accent lines (AL) on front profile
- Molding will be solid hardwood and match the colors of our Maple, Cherry, Hickory and Oak finishes
- Painted or Stained hardwood supplied for Laminate door styles
- Offered in individual 8' lengths or cartons of two (16 ft.)

- ❖ CH ②
- ❖ HK ②
- ❖ MP ②
- ❖ RO ②
- ❖ TH ②
- ❖ TL ②

Narrow Batten Molding

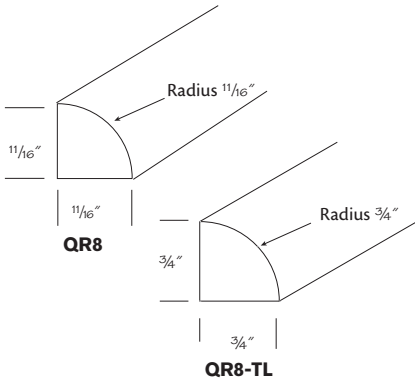


⑩a

NBM8
NBM8-25

- Solid wood
- Backs **not** finished
- Available in all finishes, except Maple Accent Glaze shipped standard finish
- Molding will be solid hardwood and match the colors of our Maple, Cherry, Hickory and Oak finishes
- Painted or Stained hardwood supplied for Laminate door styles
- Offered in individual 8' lengths or cartons of 25 (200 ft.)

- ❖ CH ②
- ❖ HK ②
- ❖ MP ②
- ❖ RO ②
- ❖ TH ②
- ❖ TL ②



Quarter Round Molding

⑩a

Solid Wood
QR8
QR8-28

Textured Laminate
QR8-TL

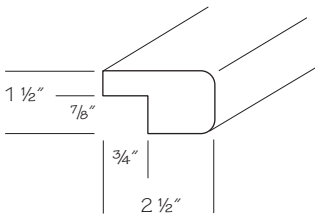
- Available in all finishes; Maple Accent Glaze shipped standard finish; Molding will be solid hardwood and match the colors of our Maple, Cherry, Hickory and Oak finishes; Available in specie TL; when ordered, model will match frame finish
- ▲ Medium Density Fiberboard (MDF) wrapped in textured wood grain Laminate; Available in specie TL only; when ordered, model will match door and drawer front laminate

Grey color coding indicates new product, size or code.

- Solid wood
- Can be used to trim between toe kick and floor
- Backs **not** finished
- Moldings may be shipped with the back corner mitered off
- Offered in individual 8' lengths or cartons of 28 (224 ft.)

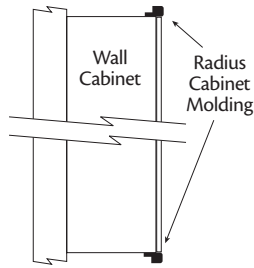
- ❖ CH ②
- ❖ HK ②
- ❖ MP ②
- ❖ RO ②
- ❖ TH ②
- ❖ TL ②

Radius Cabinet Molding



⑩a

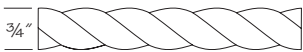
RCM8
RCM8-6



- Solid wood
- Used as decorative molding above or below wall cabinets. Can also be used to conceal light fixtures
- Backs **not** finished
- Available in all finishes; Maple Accent Glaze shipped standard finish
- Molding will be solid hardwood and match the colors of our Maple, Cherry, Hickory and Oak finishes
- Painted or Stained hardwood supplied for Laminate door styles
- Offered in individual 8' lengths or cartons of six (48 ft.)

- ❖ CH ②
- ❖ HK ②
- ❖ MP ②
- ❖ RO ②
- ❖ TH ②
- ❖ TL ②

Rope Molding



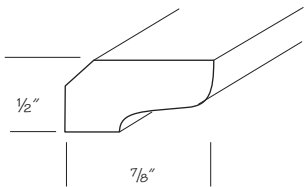
⑩a

RM8

- Solid wood
- Half round
- Right twist
- 3/8" thick and 3/4" wide
- Backs **not** finished
- Available in all finishes; Maple Accent Glaze shipped standard finish
- Can be combined with Classic Crown Molding (CCM8)
- Molding will be solid hardwood and match the colors of our Maple, Cherry, Hickory and Oak finishes
- Painted or Stained hardwood supplied for Laminate door styles
- Offered in individual 8' lengths

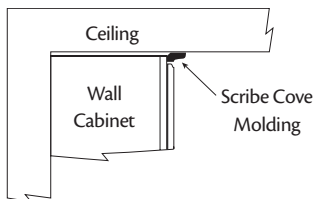
- ❖ CH ②
- ❖ HK ②
- ❖ MP ②
- ❖ RO ②
- ❖ TH ②
- ❖ TL ②

Scribe Cove Molding



⑩a

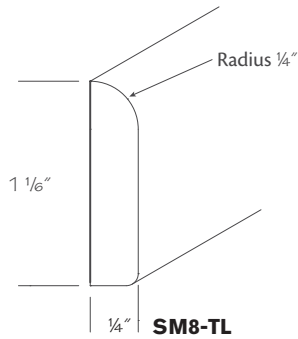
SCV8
SCV8-25



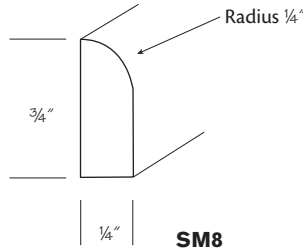
- Solid wood
- Can be used for full or traditional overlay applications
- Available in all finishes; Maple Accent Glaze shipped standard finish
- Allow sufficient space between top of cabinet and soffit or ceiling to accommodate molding
- Backs **not** finished
- Molding will be solid hardwood and match the colors of our Maple, Cherry, Hickory and Oak finishes
- Painted or Stained hardwood supplied for Laminate door styles
- Offered in individual 8' lengths or cartons of 25 (200 ft.)

- ❖ CH ②
- ❖ HK ②
- ❖ MP ②
- ❖ RO ②
- ❖ TH ②
- ❖ TL ②

Scribe Molding

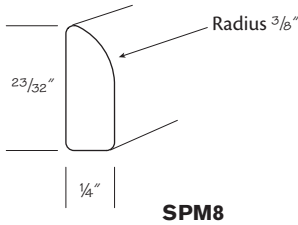
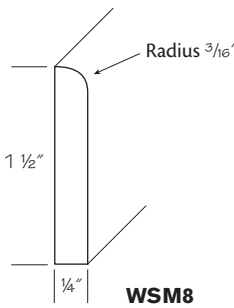


⑩a
Scribe Molding
Solid Wood
SM8
SM8-63
Paper Wrapped
SPM8
SPM8-100
Scribe Molding Textured Laminate
SM8-TL
Wide Scribe Molding



WSM8
WSM8-25

Grey color coding indicates new product, size or code.

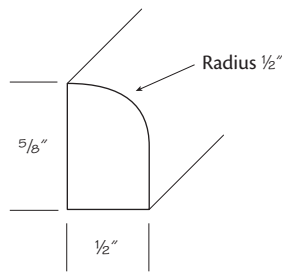


SPM8

- Solid wood:
 - Available in all finishes in Cherry, Hickory, Maple and Oak. Maple Accent Glaze shipped standard finish
 - Available in specie TL; when ordered, model will match frame finish
 - Not** finished on 1/4" bottom or 3/4" backside
 - Offered in individual 8' lengths or cartons of 63 (504 ft.)
- Paper Wrapped:
 - Paper wrapped Medium Density Fiberboard (MDF)
 - Only Available in Oak finishes and White Oak is paper wrapped in simulated wood
 - Not** finished on 23/32" backside
 - Not** available in TL specie
 - Offered in individual 8' lengths or cartons of 100 (800 ft.)
- WSM8 and WSM8 are painted finishes that are painted Maple or Poplar
- WSM8 **not** finished on back side
- Textured Laminate:
 - Medium Density Fiberboard (MDF) wrapped in textured wood grain Laminate
 - Not** finished on back side
 - Available in specie TL only; when ordered, model will match door and drawer front laminate
 - Offered in individual 8' lengths
- Molding will be solid hardwood and match the colors of our Maple, Cherry, Hickory and Oak finishes

- ❖ CH ②
- ❖ HK ②
- ❖ MP ②
- ❖ RO ②
- ❖ TH ②
- ❖ TL ②

Shoe Molding

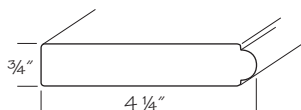


⑩a
SHO8
SHO8-25

- Solid wood
- Used as inside corner molding or trim between toe kick and floor
- Backs **not** finished
- Available in all finishes; Maple Accent Glaze shipped standard finish
- Painted or Stained hardwood supplied for Laminate door styles
- Offered in individual 8' lengths or cartons of 25 (200 ft.)
- Molding will be solid hardwood and match the colors of our Maple, Cherry, Hickory and Oak finishes

- ❖ CH ②
- ❖ HK ②
- ❖ MP ②
- ❖ RO ②
- ❖ TH ②
- ❖ TL ②

Single Bead Pilaster

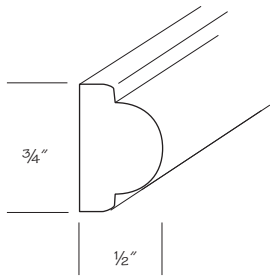


⑩a
SBP8

- Solid wood
- Available in all finishes; Maple Accent Glaze shipped standard finish
- Finished on all sides
- Used as decorative trim panel vertically between Base, Vanity, Tall and Wall cabinets. Can also be used as a decorative valance
- Painted or Stained hardwood supplied for Laminate door styles
- Molding will be solid hardwood and match the colors of our Maple, Cherry, Hickory and Oak finishes
- Offered in individual 8' lengths

- ❖ CH ②
- ❖ HK ②
- ❖ MP ②
- ❖ RO ②
- ❖ TH ②
- ❖ TL ②

Single Bead Trim

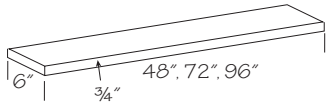


⑩a
SBT8

- Solid wood
- Available in all finishes; Maple Accent Glaze shipped standard finish
- Backs **not** finished
- Used to trim the front edge of panels
- Can be combined with Classic Crown Molding (CCM8)
- Molding will be solid hardwood and match the colors of our Maple, Cherry, Hickory and Oak finishes
- Painted or Stained hardwood supplied for Laminate door styles
- Offered in individual 8' lengths

❖ CH	②
❖ HK	②
❖ MP	②
❖ RO	②
❖ TH	②
❖ TL	②

Solid Wood Stock



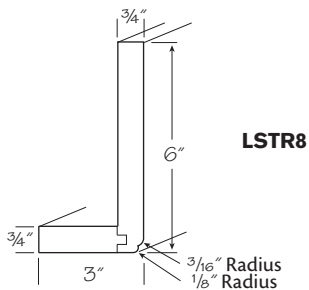
⑩a
SWS4 48" (4 ft.)
SWS6 72" (6 ft.)
SWS8 96" (8 ft.)

- 3/4" thick solid wood
- Grain direction runs lengthwise
- Can be used for valance, filler, shelf or other matching finish, cut-to-size applications
- Finished on both sides and both long edges
- Molding will be solid hardwood and match the colors of our Maple, Cherry, Hickory and Oak finishes
- Painted or Stained hardwood supplied for Laminate door styles
- One per carton

❖ CH	②
❖ HK	②
❖ MP	②
❖ RO	②
❖ TH	②
❖ TL	②

Decorative Enhancements

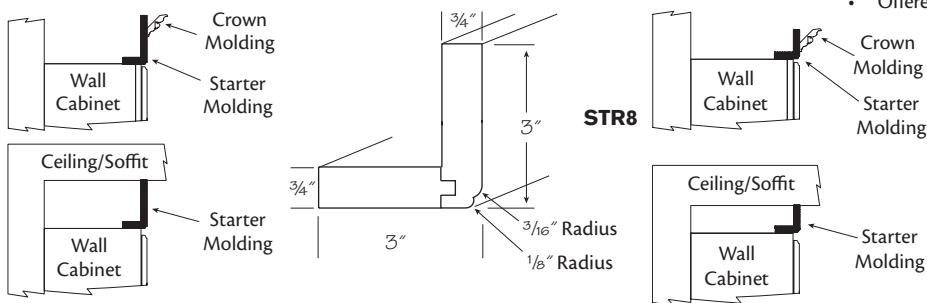
Starter Molding



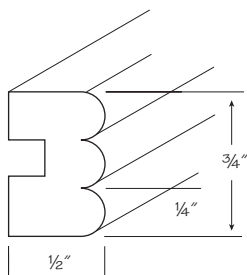
⑩a
Starter Molding
STR8
Large Starter Molding
LSTR8

- Solid wood
- Used at top of wall and tall cabinets to allow attachment of crown molding or as a filler between cabinet and ceiling/soffit
- Shipped in one piece
- Backs **not** finished
- Available in all finishes, except Maple Accent Glaze shipped standard finish
- Molding will be solid hardwood and match the colors of our Maple, Cherry, Hickory and Oak finishes
- Painted or Stained hardwood supplied for Laminate door styles
- Offered in individual 8' lengths

❖ CH	②
❖ HK	②
❖ MP	②
❖ RO	②
❖ TH	②
❖ TL	②



Triple Bead Edging

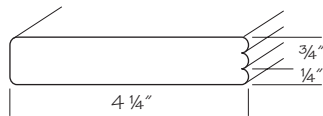


⑩a
TBE8
TBE8-25

- Solid wood
- Available in all finishes; Maple Accent Glaze shipped standard finish
- Backs **not** finished
- Can be combined with Classic Crown Molding (CCM8)
- Molding will be solid hardwood and match the colors of our Maple, Cherry, Hickory and Oak finishes
- Painted or Stained hardwood supplied for Laminate door styles
- Offered in individual 8' lengths or cartons of 25 (200 ft.)

❖ CH	②
❖ HK	②
❖ MP	②
❖ RO	②
❖ TH	②
❖ TL	②

Triple Bead Pilaster

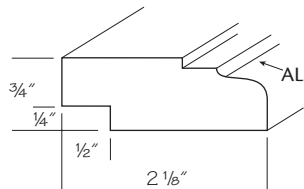


⑩a
TBP8

- Solid wood
- Available in all finishes; Maple Accent Glaze shipped standard finish
- Finished on all sides
- Used as decorative trim panel vertically between Base, Vanity, Tall and Wall cabinets. Can also be used as a decorative valance
- Molding will be solid hardwood and match the colors of our Maple, Cherry, Hickory and Oak finishes
- Painted or Stained hardwood supplied for Laminate door styles
- Offered in individual 8' lengths

- ❖ CH ②
- ❖ HK ②
- ❖ MP ②
- ❖ RO ②
- ❖ TH ②
- ❖ TL ②

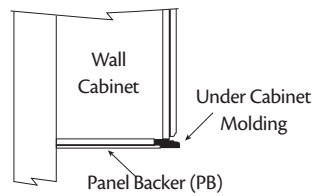
Under Cabinet Molding



⑩a
UCM8
UCM8-11

- Solid wood
- Can be used under wall cabinets to conceal light fixtures
- Can be used for full or traditional overlay applications
- Profile complements most door styles
- All surfaces finished
- Available in all finishes
- Maple Accent Glaze has one accent line (AL) on front profile
- Moldings in painted finishes and painted finishes with glazes are painted hardwood
- Painted or Stained hardwood supplied for Laminate door styles
- Can be combined with Panel Backer (PB) or Wall End Panel (WEP) to create a flush color-matched underside
- Molding will be solid hardwood and match the colors of our Maple, Cherry, Hickory and Oak finishes
- Offered in individual 8' lengths or cartons of 11 (88 ft.)

- ❖ CH ②
- ❖ HK ②
- ❖ MP ②
- ❖ RO ②
- ❖ TH ②
- ❖ TL ②



Molding Accents

Construction Options and Modifications

- ❖ Included as standard
- Available with an upcharge
- ☆ Available with exceptions

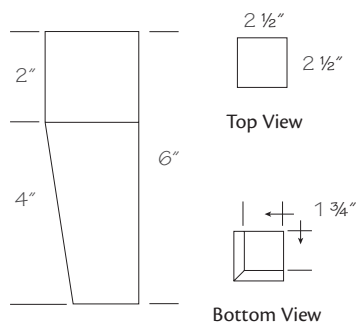
(Blank) **Not** available

(10a)

PFT

CH	Cherry	-----	(2)
HK	Hickory	-----	(2)
MP	Maple	-----	(2)
RO	Red Oak	-----	(2)
TH	Thermofoil	-----	(2)
TL	Textured Laminate	-----	(2)

Tapered Foot



(10a)

Finished

■ **PFT**

Unfinished

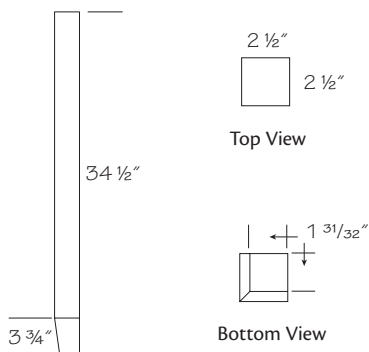
■ **PFT-UF**

- Available in specie TL; when ordered, model will match frame finish

- Solid wood
- Vertical wood grain
- Does **not** match toespace height of Base, Tall, Vanity or Universal cabinets, **must** be trimmed
- PFT-UF available in unfinished Cherry, Maple and Red Oak. **Not** available in unfinished Hickory
- Available in all Cherry and Maple finishes; Maple Accent Glaze shipped standard finish
- Available in all painted finishes, which are painted hardwood
- One per carton

❖	CH	(2)
❖	HK	(2)
❖	MP	(2)
❖	RO	(2)
❖	TH	(2)
❖	TL	(2)

Tapered Leg Base



(10a)

Finished

■ **PLB**

Unfinished

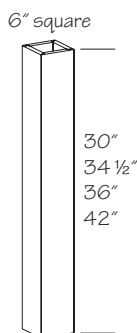
■ **PLB-UF**

- Available in specie TL; when ordered, model will match frame finish

- Solid wood
- Vertical wood grain
- Matches height of base cabinets
- Trimmed to fit installation
- Available in all finishes, except Maple Accent Glaze shipped standard finish
- Available in all painted finishes, which are painted hardwood
- Hickory finishes use Red Oak in place of Hickory
- PLB-UF available in unfinished Cherry, Maple and Red Oak. **Not** available in unfinished Hickory
- One per carton

❖	CH	(2)
❖	HK	(2)
❖	MP	(2)
❖	RO	(2)
❖	TH	(2)
❖	TL	(2)

Plain Square Post



(10a)

PSP6-30

PSP6-34

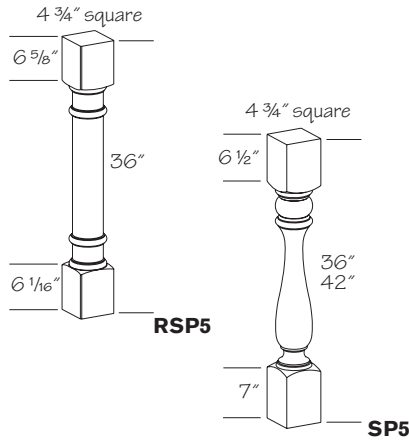
PSP6-36

PSP6-42

- Vertical wood grain
- For use as a decorative accent
- 1/8" thick radius corners
- Available in all Cherry, Maple and Red Oak finishes; except Maple Accent Glaze shipped standard finish
- Available in all painted finishes, which are painted hardwood
- Painted or Stained hardwood supplied for Laminate door styles
- **Not** available unfinished
- Mitered corners provide the appearance of one piece solid wood
- 3/4" thick solid wood sides with 4 1/2" square hollow center
- One per carton

❖	CH	(2)
❖	HK	(2)
❖	MP	(2)
❖	RO	(2)
❖	TH	(2)
❖	TL	(2)

Spindles



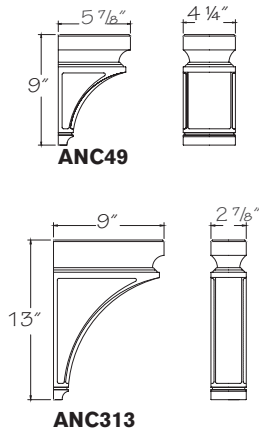
10a
 Spindle
 Finished
SP5-36
SP5-42
 Unfinished
SP5-36-UF
SP5-42-UF
 Roman Spindle
 Finished
RSP5-36
 Unfinished
RSP5-36-UF

- Solid wood
- Vertical wood grain
- For use as a decorative accent
- 1/8" thick radius corners
- Available in all Cherry, Maple and Red Oak finishes; except Maple Accent Glaze shipped standard finish
- Available in all painted finishes, which are painted hardwood
- Painted or Stained hardwood supplied for Laminate door styles
- SP5-36-UF, SP5-42-UF, RSP5-36-UF, and RSP5-42-UF only available in unfinished Maple
- One per carton

- ❖ CH 2
- HK 2
- ❖ MP 2
- ❖ RO 2
- ❖ TH 2
- ❖ TL 2

New

Ansel Corbel



10a
 Small
 ■ **ANC49**
ANC49-UF
 Large
 ■ **ANC313**
ANC313-UF

Grey color coding indicates new product, size or code.

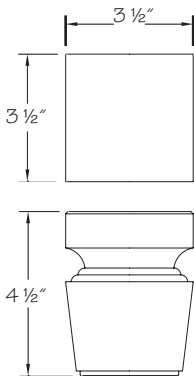
- Available in specie TL; when ordered, model will match frame finish

- Solid wood
- Vertical wood grain
- Includes two recessed metal keyhole brackets
- Painted or Stained hardwood supplied for Laminate door styles
- Does **not** include screws
- Available in all Cherry and Maple finishes; Maple Accent Glaze shipped standard finish
- Available in Chiffon, Cotton and Shale which are painted Maple
- AN313-UF and ANC49-UF only available in unfinished Cherry and Maple
- One per carton

- ❖ CH 2
- HK 2
- ❖ MP 2
- RO 2
- ❖ TH 2
- ❖ TL 2

New

Ansel Foot



10a
 ■ **ANFT**
ANFT-UF

Grey color coding indicates new product, size or code.

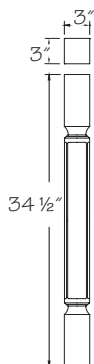
- Available in specie TL; when ordered, model will match frame finish

- Solid wood
- Vertical wood grain
- Matches toespace of height of base, tall, and vanity cabinets, except Universal Cabinets
- Available in all Cherry and Maple finishes; Maple Accent Glaze shipped standard finish
- Available in Chiffon, Cotton and Shale which are painted Maple
- Painted or Stained hardwood supplied for Laminate door styles
- ANFT-UF only available in unfinished Cherry and Maple
- One per carton

- ❖ CH 2
- HK 2
- ❖ MP 2
- RO 2
- ❖ TH 2
- ❖ TL 2

New

Ansel Leg Base



10a
 ■ **ANLB**
ANLB-UF

Grey color coding indicates new product, size or code.

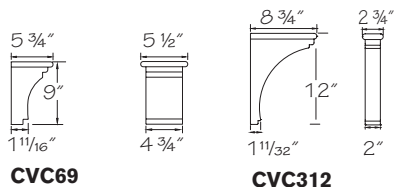
- Available in specie TL; when ordered, model will match frame finish

- Solid wood
- Vertical wood grain
- Available in all Cherry and Maple finishes; Maple Accent Glaze shipped standard finish
- Available in Chiffon, Cotton and Shale which are painted Maple
- Painted or Stained hardwood supplied for Laminate door styles
- ANLB-UF only available in unfinished Cherry and Maple
- One per carton

- ❖ CH 2
- HK 2
- ❖ MP 2
- RO 2
- ❖ TH 2
- ❖ TL 2

New

Cove Corbel



⑩a

Small
■ CVC69
CVC69-UF

Large
■ CVC312
CVC312-UF

Grey color coding indicates new product, size or code.

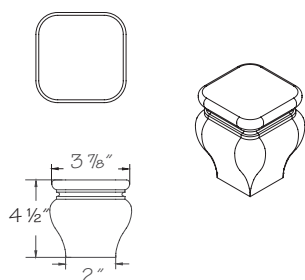
- Available in specie TL; when ordered, model will match frame finish

- Solid wood
- Vertical wood grain
- Includes two recessed metal keyhole brackets
- Does **not** include screws
- Available in all Cherry and Maple finishes; Maple Accent Glaze shipped standard finish
- Available in Chiffon, Cotton and Shale which are painted Maple
- Painted or Stained hardwood supplied for Laminate door styles
- CVC312-UF and CVC69-UF only available in unfinished Cherry and Maple
- One per carton

- ❖ CH ②
- HK ②
- ❖ MP ②
- RO ②
- ❖ TH ②
- ❖ TL ②

New

Cove Foot



⑩a

■ CVFT
CVFT-UF

Grey color coding indicates new product, size or code.

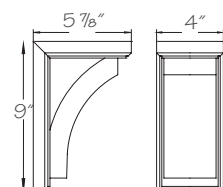
- Available in specie TL; when ordered, model will match frame finish

- Solid wood
- Vertical wood grain
- Matches tospace of height of base, tall, and vanity cabinets, except Universal Cabinets
- Available in all Cherry and Maple finishes; Maple Accent Glaze shipped standard finish
- Available in Chiffon, Cotton and Shale which are painted Maple
- Painted or Stained hardwood supplied for Laminate door styles
- CVFT-UF only available in unfinished Cherry and Maple
- One per carton

- ❖ CH ②
- HK ②
- ❖ MP ②
- RO ②
- ❖ TH ②
- ❖ TL ②

New

Wincott Corbel



⑩a

Small
■ WNC49
WNC49-UF

Large
■ WNC313
WNC313-UF

Grey color coding indicates new product, size or code.

- Available in specie TL; when ordered, model will match frame finish

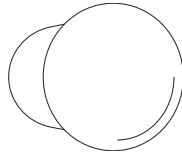
- Solid wood
- Vertical wood grain
- Includes two recessed metal keyhole brackets
- Does **not** include screws
- Available in all Cherry and Maple finishes; Maple Accent Glaze shipped standard finish
- Available in Chiffon, Cotton and Shale which are painted Maple
- Painted or Stained hardwood supplied for Laminate door styles
- WNC313-UF and WNC49-UF only available in unfinished Cherry and Maple
- One per carton

- ❖ CH ②
- HK ②
- ❖ MP ②
- RO ②
- ❖ TH ②
- ❖ TL ②

Hardware - Knobs

Construction Options and Modifications

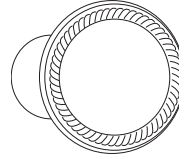
White Ceramic Knob



10a

HK02
HK02-100

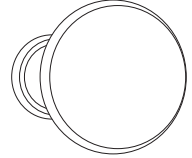
Satin Nickel Rope Knob



10a

HK107
HK107-100

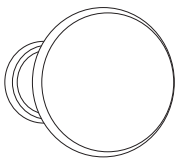
Solid Bright Brass Knob



10a

HK108
HK108-100

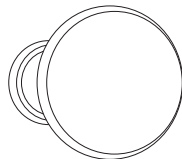
Satin Nickel Knob



10a

HK109
HK109-100

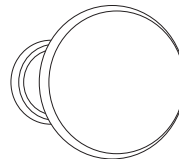
Black Nickel Knob



10a

HK110
HK110-100

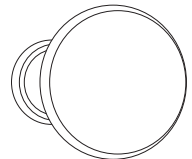
Bright Chrome Knob



10a

HK111
HK111-100

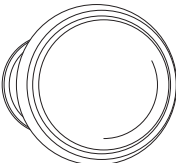
Satin Aluminum Knob



10a

HK117
HK117-100

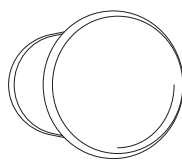
Antique Iron Knob



10a

HK119
HK119-100

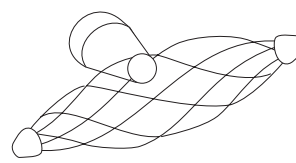
Satin Nickel Knob



10a

HK120
HK120-100

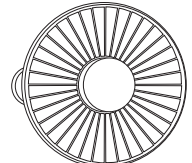
Antique Pewter Braided Knob



10a

HK123
HK123-100

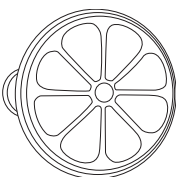
Copper-Pewter Knob



10a

HK125
HK125-100

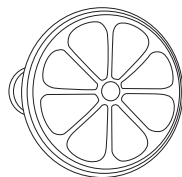
Rusty Flower Knob



10a

HK126
HK126-100

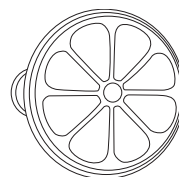
Dusty Copper Flower Knob



10a

HK127
HK127-100

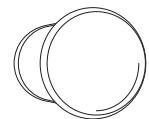
Antique Pewter Flower Knob



10a

HK128
HK128-100

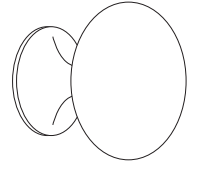
Satin Nickel Knob



10a

HK137
HK137-100

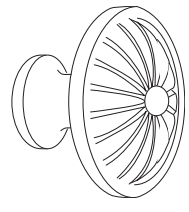
Satin Nickel Football Shaped Knob



⑩a

**HK138
HK138-100**

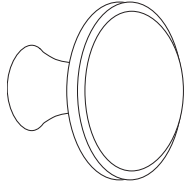
Brushed Satin Pewter French Tassel Round Knob



⑩a

**HK150
HK150-100**

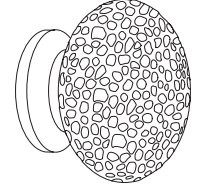
Black Ceramic Insert Round Knob



⑩a

**HK152
HK152-100**

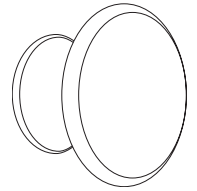
Tumbled Dark Gunmetal Round Knob



⑩a

**HK155
HK155-100**

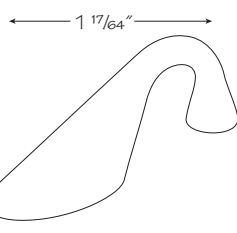
Oil Rubbed Bronze Round Knob



⑩a

**HK157
HK157-100**

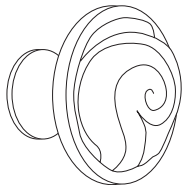
Satin Nickel Diminishing Knob



⑩a

**HK158
HK158-100**

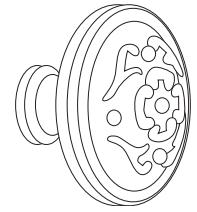
Ochre Finished Ceramic Totem Knob



⑩a

**HK161
HK161-100**

Venetian Bronze Copper French Lace Knob



⑩a

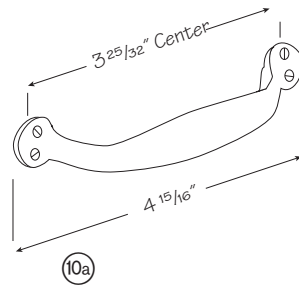
**HK162
HK162-100**

Decorative Enhancements

Hardware - Pulls

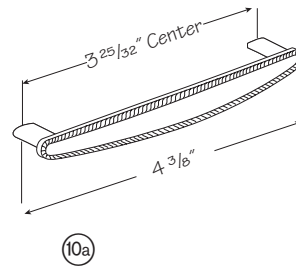
Construction Options and Modifications

Satin Nickel Suitcase Pull



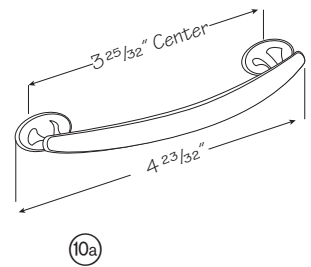
HP103
HP103-100

Satin Nickel Rope Pull



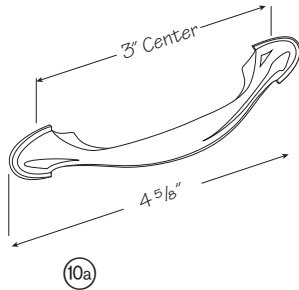
HP106
HP106-100

Satin Aluminum Boat Cleat Transitional Pull



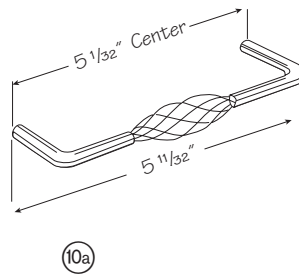
HP112
HP112-100

Satin Nickel Traditional Pull



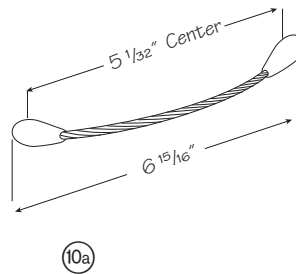
HP118
HP118-100

Antique Pewter Braided Pull



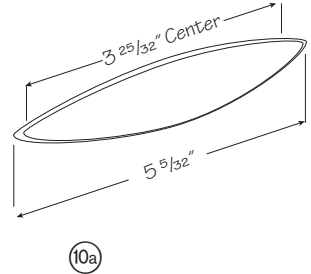
HP124
HP124-100

Satin Nickel Wire Cable Pull



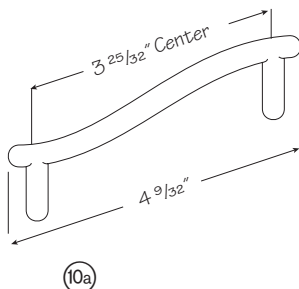
HP131
HP131-100

Satin Nickel Canoe Pull



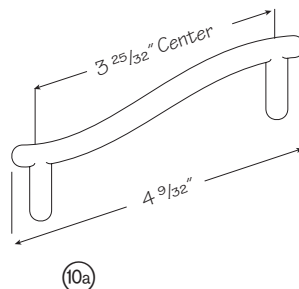
HP135
HP135-100

Satin Nickel Fusilli Pull



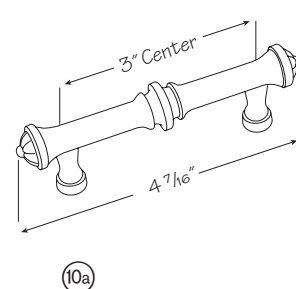
HP139
HP139-100

White Fusilli Pull



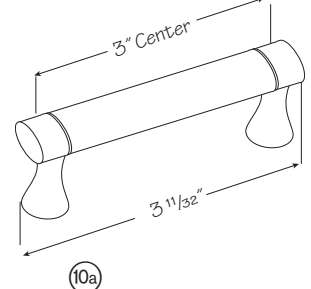
HP140
HP140-100

Brushed Satin Pewter French Tassel Pull



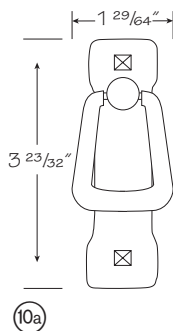
HP151
HP151-100

Black Ceramic Insert Pull



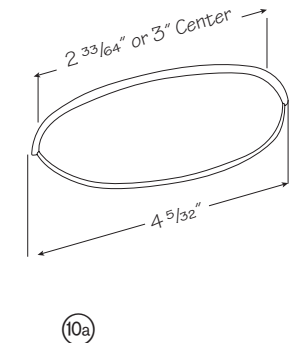
HP153
HP153-100

Tumbled Dark Gunmetal Mission Style Ringed Pendant Pull



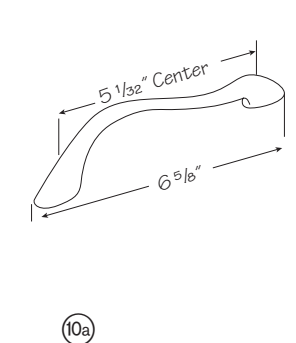
HP154
HP154-100

Oil Rubbed Bronze Cup Pull



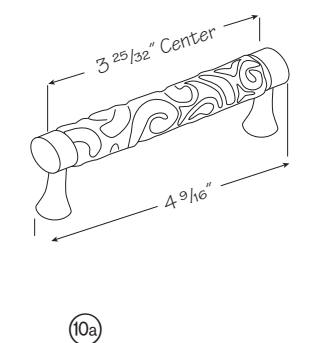
HP156
HP156-100

Satin Nickel Wavy Pull



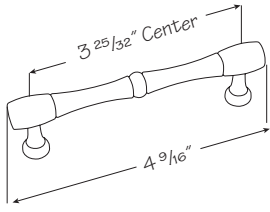
HP159
HP159-100

Ochre Finished Ceramic Totem Pull



HP160
HP160-100

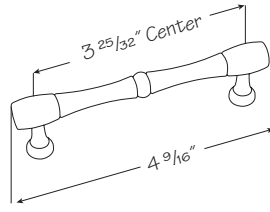
Chrome Traditional Pull



10a

HP163
HP163-100

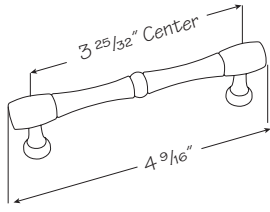
Satin Nickel Traditional Pull



10a

HP164
HP164-100

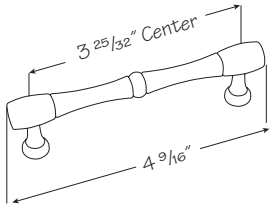
Bright Brass Traditional Pull



10a

HP165
HP165-100

Black Nickel Traditional Pull



10a

HP166
HP166-100

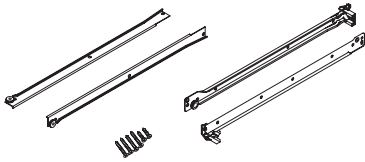
Hardware

Construction Options and Modifications

(10a)

GDEUMFESAL18

3/4 Extension Side Mount Roller Guide Kit

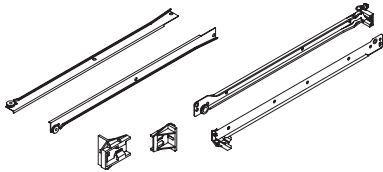


(10a)

GDESM18KIT
GDESM21KIT
GDESM24KIT

- 75 lbs. capacity
- White epoxy coated steel
- Kit includes left and right guides and mounting hardware
- 18 deep used on 18" deep cabinets
- 21 deep used on 21" deep cabinets
- 24 deep used on 24" deep cabinets
- One kit per carton

3/4 Extension Side Mount Roller Guide Peninsula Base Kit



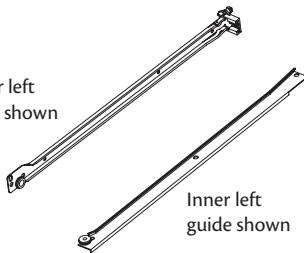
(10a)

GDESMPB24KIT

- 75 lbs. capacity
- White epoxy coated steel
- Kit includes left and right guides and mounting hardware
- Used on Peninsula Base (PB) cabinets
- One kit per carton

3/4 Extension Side Mount Roller Guides

Outer left
guide shown



Inner left
guide shown

(10a)

Inner Left
GDESMIL18
GDESMIL18-10
GDESMIL21
GDESMIL21-10
GDESMIL24
GDESMIL24-10

Inner Right
GDESMIR18
GDESMIR18-10
GDESMIR21
GDESMIR21-10
GDESMIR24
GDESMIR24-10

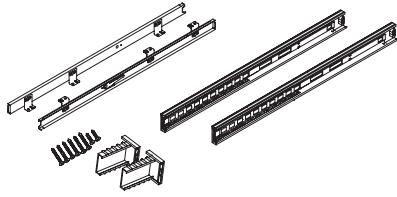
(10a)

Outer Left
GDESMOL18
GDESMOL18-10
GDESMOL21
GDESMOL21-10
GDESMOL24
GDESMOL24-10

Outer Right
GDESMOR18
GDESMOR18-10
GDESMOR21
GDESMOR21-10
GDESMOR24
GDESMOR24-10

- 75 lbs. capacity
- White epoxy coated steel
- 18 deep used on 18" deep cabinets
- 21 deep used on 21" deep cabinets
- 24 deep used on 24" deep cabinets
- Offered individually or quantities of 10

Full Extension Side Mount Ball Bearing Guide Kit

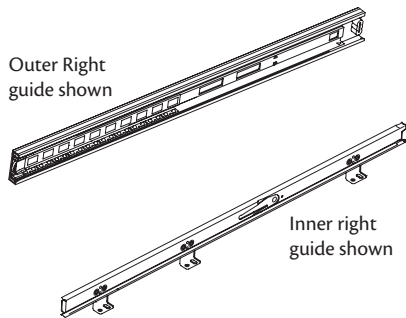


10a

21" Deep
GDEFESMBB21KIT
 24" Deep
GDEFESMBB24KIT

- 75 lbs. capacity
- Full extension guide, pulls out past the face frame
- Kit includes left and right guides and mounting hardware
- GDEFESMBB21KIT used on Desk File Drawer (DFD) cabinets in SST and PST constructions
- GDEFESMBB24KIT used on Base Butt Door-Full Extension Tray (BSD) cabinets with 2DF tray option
- One kit per carton

Full Extension Side Mount Ball Bearing Guides



Outer Right guide shown

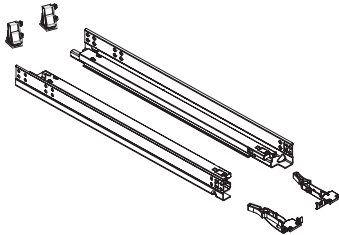
Inner right guide shown

10a

Inner Left
GDEFESMBBIL21
GDEFESMBBIL21-10
GDEFESMBBIL24
GDEFESMBBIL24-10
Inner Right
GDEFESMBBIR21
GDEFESMBBIR21-10
GDEFESMBBIR24
GDEFESMBBIR24-10
Outer
GDEFESMBBO21
GDEFESMBBO21-10
GDEFESMBBO24
GDEFESMBBO24-10

- 75 lbs. capacity
- Full extension guide, pulls out past the face frame
- 21 deep used on Desk File Drawer (DFD) cabinets in SST and PST constructions
- 24 deep used on Base Butt Door-Full Extension Tray (BSD) cabinets with 2DF tray option
- Offered individually or quantities of 10

Full Extension Under Mount SoftAction+ Guide Kit

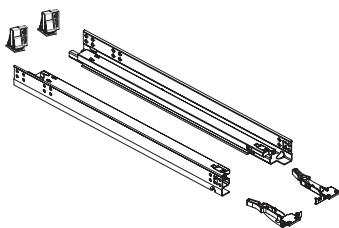


10a

GDEUMFESA18KIT
GDEUMFESA21KIT
GDEUMFESA24KIT

- 75 lbs. capacity
- Full extension guide, pulls out past the face frame
- Integrated SoftAction+ closing mechanism
- Kit includes left and right guides and mounting hardware
- Used on cabinets in SDT, PST and ADT constructions
- 18 deep used on 18" deep cabinets
- 21 deep used on 21" deep cabinets
- 24 deep used on 24" deep cabinets
- One kit per carton

Full Extension Under Mount SoftAction+ Peninsula Base Guide Kit

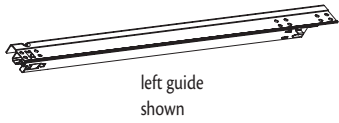


10a

GDEUMFESAPB24KIT

- 75 lbs. capacity
- Full extension guide, pulls out past the face frame
- Integrated SoftAction+ closing mechanism
- Used on cabinets in SDT, PST and ADT constructions
- 24 deep used on 24" deep cabinets
- One kit per carton

Full Extension Under Mount SoftAction+ Guides



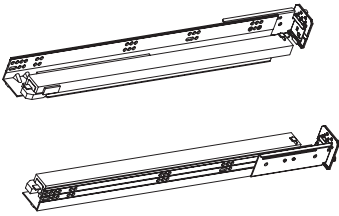
10a

Left
GDEUMFESAL18
GDEUMFESAL21
GDEUMFESAL24

Right
GDEUMFESAR18
GDEUMFESAR21
GDEUMFESAR24

- 75 lbs. capacity
- Full extension guide, pulls out past the face frame
- Integrated SoftAction+ closing mechanism
- Used on cabinets in SDT, PST and ADT constructions
- 18 deep used on 18" deep cabinets
- 21 deep used on 21" deep cabinets
- 24 deep used on 24" deep cabinets
- One kit per carton

Full Extension Heavy Duty Under Mount SoftAction+ Guide Set

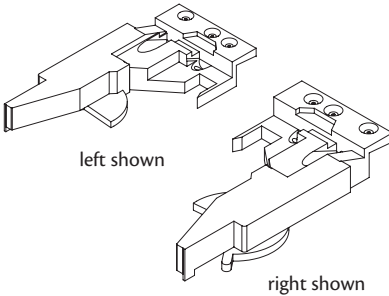


10a

GDEUMFESAHD24SET

- 75 lbs. capacity
- Full extension guide, pulls out past the face frame
- Integrated SoftAction+ closing mechanism
- Set includes left and right guides
- Used on Base Pots and Pans Storage (BPPS) cabinets
- One set per carton

Locking Device - Full Extension Heavy Duty Under Mount SoftAction+ Guides

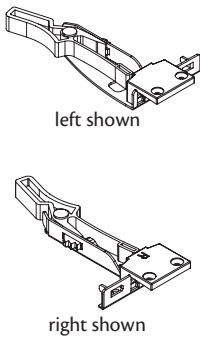


10a

LKDUMFESAGDEHDL
LKDUMFESAGDEHDR

- LKDUMFESAGDEHDL attaches under left front corner of drawer core
- LKDUMFESAGDEHDR attaches under right front corner of drawer core
- Used on Base Pots and Pans Storage (BPPS) cabinets
- One per carton

Locking Device - Full Extension Under Mount SoftAction+ Guides



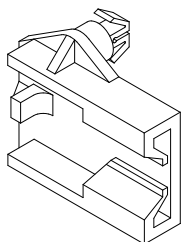
10a

Left
LKDUMFESAGDEL

Right
LKDUMFESAGDER

- LKDUMFESAGDEL attaches under left front corner of drawer core
- LKDUMFESAGDER attaches under right front corner of drawer core
- Used on cabinets in SDT, PST and ADT constructions
- One per carton

Rear Mounting Bracket - 3/4 Extension Side Mount Roller Guides

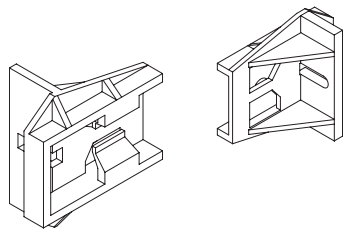


10a

RMBSMGDE
RMBSMGDE-25

- Attaches using the guide holes in the back of the cabinet
- For use with 3/4 Extension Side Mount Roller Guides
- Offered individually or quantities of 25 per carton

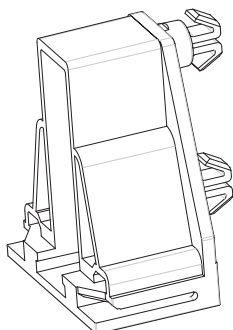
Rear Mounting Bracket - 3/4 Extension Side Mount Roller Guides Peninsula Base



⑩
RMBSMGDEPB
RMBSMGDEPB-2

- Attaches to back frame of cabinet using a screw
- For use with Peninsula Base (PB) cabinets with 3/4 Extension Side Mount Roller Guides
- Offered individually or two per carton

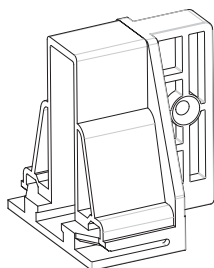
Rear Mounting Bracket - Full Extension Under Mount SoftAction+ Guides



⑩a
RBUMFESAGDE-2

- Attaches using the guide holes in the back of the cabinet
- Used on cabinets in SDT, PST and ADT constructions
- Two per carton

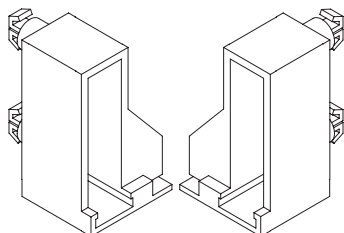
Rear Mounting Bracket - Full Extension Under Mount SoftAction+ Guides Peninsula Base



⑩a
RBUMFESAGDEPB-2

- Attaches to back frame of cabinet using a screw
- Used on cabinets in SDT, PST and ADT constructions
- Two per carton

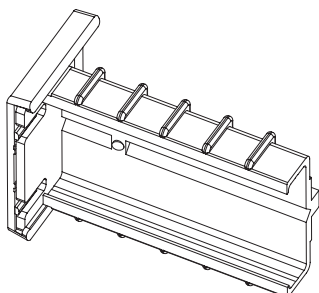
Rear Mounting Bracket - Full Extension Under Mount SoftAction+ Guides DKD



⑩a
RBUMFESAGDEDKDSET

- Attaches using the guide holes in the back of the cabinet
- Used on Desk Knee Drawer (DKD) and Desk Knee Drawer Trimmable (DKDT) cabinets in SDT, PDT and ADT constructions
- Includes a left and right rear mounting bracket
- One set per carton

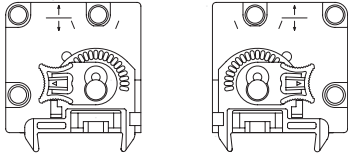
Rear Mounting Bracket - Full Extension Side Mount Ball Bearing Guides



⑩a
RMBFESMBBGDE

- Attaches using the guide holes in the back of the cabinet
- Used on Desk File Drawer (DFD) cabinets in SST and PST constructions
- Used on Base Butt Door-Full Extension Tray (BSD) cabinets with 2DF tray option
- One per carton

**Rear Adjustment Adapter - Full Extension Heavy Duty Under Mount
 SoftAction+ Guides**

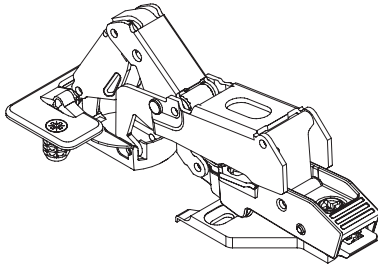


10a

RAAUMFESAGDEHDSET

- Attaches using the guide holes in the back of the cabinet
- Used on Base Pots and Pans Storage (BPPS) cabinets
- Includes a left and right rear adjustment adapter
- One set per carton

170 Degree Hinge

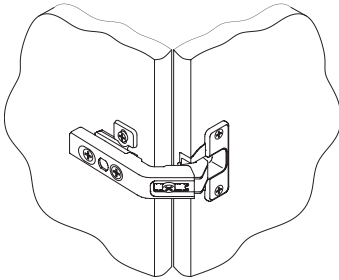


10a

**HIN170FRM-1CT
 HIN170FRM-10CT**

- Nickel plated finish
- Includes hinge and mounting plate
- Used on Traditional and Full Overlay Base Corner Revolving (BCR), Base Corner Fixed Shelf (BCFS) and Wall Easy Reach (WEZR) cabinets
- Offered individually or quantities of 10

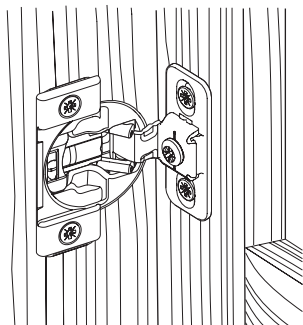
Bi-Fold Hinge



10a

**HINBIFOLD-1CT
 HINBIFOLD-10CT**

- Nickel plated finish
- Includes hinge and mounting plate
- Used on Traditional and Full Overlay Base Corner Revolving (BCR), Base Corner Fixed Shelf (BCFS) and Wall Easy Reach (WEZR) cabinets
- Offered individually or quantities of 10



Face Mount Hinge

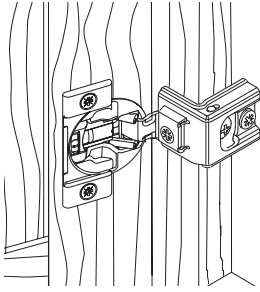
10a

Face Mount Hinge SoftAction
**HINSCFM-1PR
 HINSCFM-10PR**
Face Mount Hinge
**HINFM-1PR
 HINFM-10PR**

Grey color coding indicates new product, size or code.

- Nickel plated finish
- Used on Traditional and Full Overlay Wall Microwave Cabinet (WMC) and Oven Cabinet Universal (OCU) cabinets
- Used on Traditional and Full Overlay Oven Cabinet Single (OCS) cabinets with painted finishes
- SoftAction hinges have soft-close action; standard hinges do **not**
- Includes hinges and mounting screws
- Offered as a pair or 10 pairs per carton

Full Overlay 6 Way Hinge



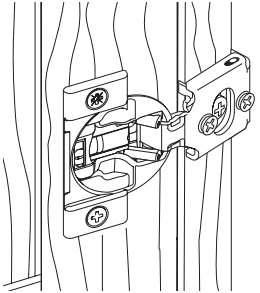
10a

SoftAction Hinge
HINSCFOL6WY-1PR
HINSCFOL6WY-10PR
 6 Way Hinge
HINFOL6WY-1PR
HINFOL6WY-10PR

Grey color coding indicates new product, size or code.

- Nickel plated finish
- Used on Full Overlay cabinets
- 6 way door adjustment
- SoftAction hinges have soft-close action; standard hinges do **not**
- Includes hinges and mounting screws
- Offered as a pair or 10 pairs per carton

Traditional Overlay 6 Way Hinge



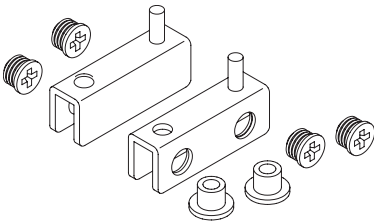
10a

SoftAction
HINACTOL6WY-1PR
HINACTOL6WY-10PR
 6 Way Hinge
HINTOL6WY-1PR
HINTOL6WY-10PR

Grey color coding indicates new product, size or code.

- Nickel plated finish
- Used on Traditional Overlay cabinets
- 6 way door adjustment
- SoftAction hinges have soft-close action; standard hinges do **not**
- Includes hinges and mounting screws
- Offered as a pair or 10 pairs per carton

Medicine Cabinet Pack Hinge

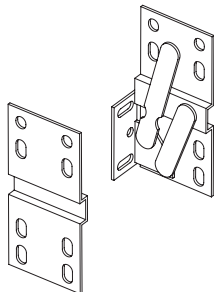


10a

HINMCPK
HINMCPK-10

- Nickel plated finish
- Includes upper and lower hinge, bushings and mounting screws
- Used on Medicine Cabinet (MC) and Tri-View Medicine Cabinet (TVMC) cabinets
- Offered individually or quantities of 10

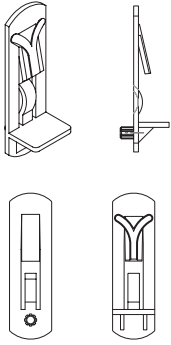
Utility Tray Hinge



10a

HINTOST-1PR

- Nickel plated finish
- Includes left/right hinges and mounting screws
- Used on Sink Base (SB) w/Utility Tray cabinets and Utility Tray Kits (UTK)
- Offered as a pair

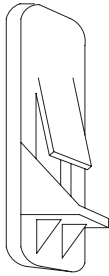


3/4" Shelf Clip

10a

SHCLP34
SHCLP34-20
SHCLP34-100

- Clear plastic locking clip
- Offered individually or quantities of 20 and 100



3/4" Shelf Clip with Stop

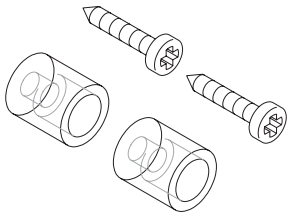
10a

Left
SHCLPLK34L
SHCLPLK34L-20

Right
SHCLPLK34R
SHCLPLK34R-20

- Clear plastic locking clip with front edge restraint
- Used for base cabinets with Half Depth Shelf Option
- Offered individually or quantities of 20

Left Clip Shown

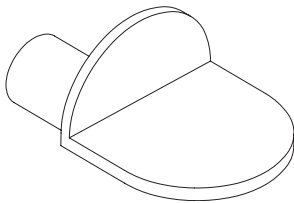


Shelf Support Back Pack

10a

SHSUPBPK
SHSUPBPK-10
SHSUPBPK-100

- Clear plastic shelf support back
- Includes 2 supports and 2 screws per pack
- Used to support the back edge of shelf, attaches to back of cabinet with a screw
- Offered individually or quantities of 10 or 100

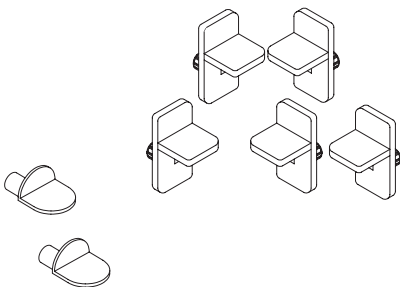


Shelf Support Center

10a

SHSUPC
SHSUPC-10

- Clear plastic center shelf support
- Used to support the front edge of shelf, insert into hole in back of center stile
- Offered individually or quantities of 10



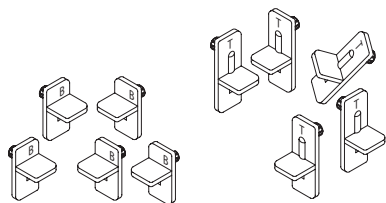
Shelf Support Pack

10a

SHSUPPK
SHSUPPK-25

- Clear plastic shelf support/center shelf support
- Includes 5 supports and 2 center shelf support
- Used in Bookcase (BK) cabinets
- Offered individually or quantities of 25 per carton

Shelf Support Pack MG/PM - 24" and 30" High

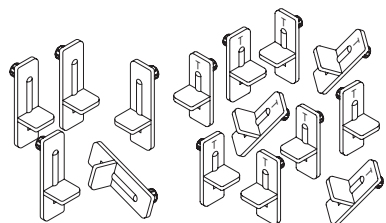


10a

SHSUPPKMGD24/30

- Clear plastic shelf support
- Shelf supports are offset to allow shelves to line up with door mullions
- Includes 15 shelf supports per pack
- Used in 24" and 30" high Wall Cabinets with the Mullion Glass and Prepared for Mullion Glass options
- One per carton

Shelf Support Pack MG/PM - 36" High

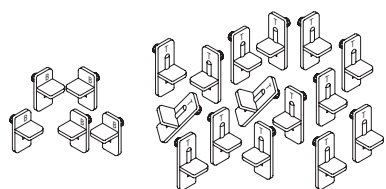


10a

SHSUPPKMGD36

- Clear plastic shelf support
- Shelf supports are offset to allow shelves to line up with door mullions
- Includes 15 shelf supports per pack
- Used in 36" high Wall Cabinets with the Mullion Glass and Prepared for Mullion Glass options
- One per carton

Shelf Support Pack MG/PM - 39" and 42" High

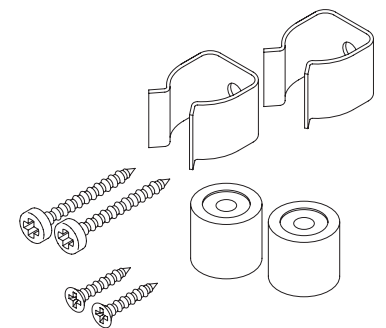


10a

SHSUPPKMGD39/42

- Clear plastic shelf support
- Shelf supports are offset to allow shelves to line up with door mullions
- Includes 20 shelf supports per pack
- Used in 39" and 42" high Wall Cabinets with the Mullion Glass and Prepared for Mullion Glass options
- One per carton

Vent Clip Pack

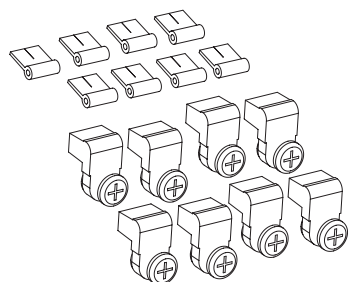


10a

VNTCLPPK
VNTCLPPK-25 25 count

- Used to attach false drawer fronts on Sink Base and select Vanity Cabinets
- Includes two clips, two post and mounting screws per pack
- Offered individually or quantities of 25 per carton

Door Insert Clip



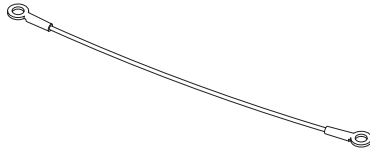
10a

DIC

- For use with Prepared for Mullion Glass (PM) option, Arbor Falls II and Whitebay II
- 8 pieces of welt cord and 8 glass retaining buttons, enough for a single 42" High or shorter door

New

Door Stop Kit



10a

DSTK

Grey color coding indicates new product, size or code.

- Nylon coated stainless wire rope
- Stainless eyes with aluminum collar
- Mounting hardware included

Back Plugs



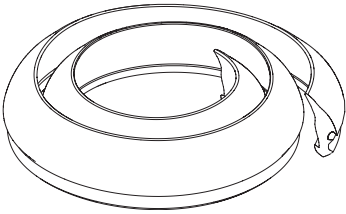
10a

BACKPLUG2H-10

BACKPLUG2H-100

- Clear plastic plugs for base and vanity cabinet back panel factory drilled holes
- Each plug fills a pair of 10mm holes
- Offered individually or quantities of 10 and 100

Door Insert Retaining Strip

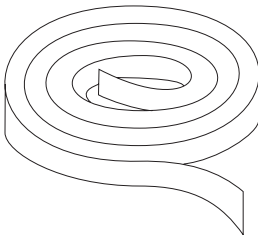


10a

DIRS

- For use with Prepared for Glass (PG) option, used with all door styles except Arbor Falls II and Whitebay II
- Available in rolls of 10 feet

Edge Banding



10a

EB

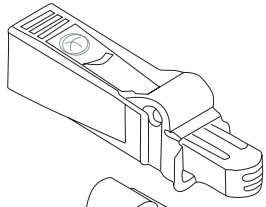
Textured Laminate

EB-TL

Grey color coding indicates new product, size or code.

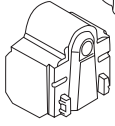
- Used for finishing edges of panels
- Available in all finishes
- Roll is 25' long, 15/16"
- EB
Melamine edge banding with pre-applied hot melt adhesive
Use clothes iron to apply
15/16" wide x 14 mil thick
For Natural w/Java Glaze and Natural w/Java Accent, use Maple Natural
For Sable with Ebony Glaze and Sable with Ebony Accent, use Maple Sable
For Sedona with Ebony Accent, use Maple Sedona
For Toffee with Java Accent or Toffee with Java Glaze, use Maple Toffee
- EB-TL
For use with Lanielle door style, Cavern and Whisper finishes
Textured PVC edge banding with pre-applied adhesive back
"Peel and Stick" application
7/8" wide x 1mm thick
- One roll per carton

SoftAction Door Hardware

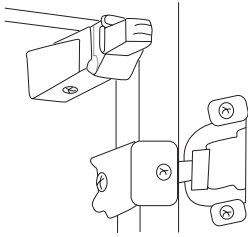
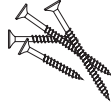


⑩a
SADO

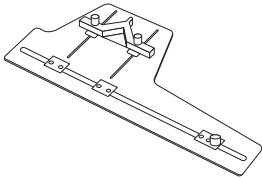
- Soft-closing technology provides smooth and silent closure of door
- One required per door; PC, U, VLC and UF cabinets require two
- Mounting hardware included
- One per carton
- Note: Requires field installation



Partial overlay spacer and screws



Hardware Template Kit Universal

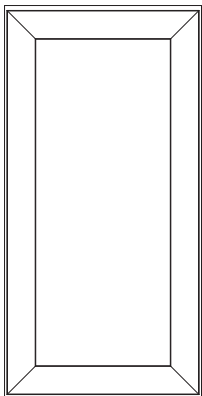


⑩a
HTK-U

- Handy drill jig for universal hardware drilling
- High-impact grey polycarbonate template with hardened steel drill bushings
- Adjustable for use with all drawers and doors
- One per carton

New

Laminate Aluminum Accessory Glass Door and Prep for Glass Door



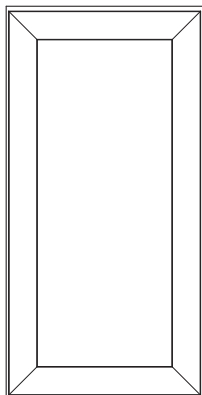
- Accessory “accent” doors
- Available in most full overlay door sizes only. See chart
- Laminate wrapped Medium Density Fiberboard (MDF) faux aluminum with 2 3/16” wide stiles and rails
- Mitered doors
- Available with factory installed 1/8” thick tempered glass (GD). Glass is held in place with a reusable clear retaining strip along all four edges
- Available Prep for Glass (PG) option intended for 1/8” thick inserts. Does not include retaining strips. Door Insert Retaining Strips (DIRS) sold separately
- Doors have a 90° return with no reverse bevel
- Available drilled for hinges (ADO). Invertible for left or right hinging
- Hinges not included, sold separately
- Available without hinge drilling (ANDO)
- Decorative hardware is required

Cabinet	Accessory Door Drilled	Accessory Door Non Drilled	Door Size	Doors Per Cabinet	Hinges Per Door	Hinge SoftAction	Total Hinges Per Cabinet
PW3030	ADO1530AL-FO	ANDO1530AL-FO	14 5/8 x 29 1/4	4	2	HINSCFOL6WY-1PR	8
W1530	ADO1530AL-FO	ANDO1530AL-FO	14 5/8 x 29 1/4	1	2	HINSCFOL6WY-1PR	2
W3030	ADO1530AL-FO	ANDO1530AL-FO	14 5/8 x 29 1/4	2	2	HINSCFOL6WY-1PR	4
WA2430	ADO1530AL-FO	ANDO1530AL-FO	14 5/8 x 29 1/4	1	2	HINSCFOL6WY-1PR	2
WA2730	ADO1530AL-FO	ANDO1530AL-FO	14 5/8 x 29 1/4	1	2	HINSCFOL6WY-1PR	2
W1536	ADO1536AL-FO	ANDO1536AL-FO	14 5/8 x 35 1/4	1	2	HINSCFOL6WY-1PR	2
W3036	ADO1536AL-FO	ANDO1536AL-FO	14 5/8 x 35 1/4	2	2	HINSCFOL6WY-1PR	4
WA2436	ADO1536AL-FO	ANDO1536AL-FO	14 5/8 x 35 1/4	1	2	HINSCFOL6WY-1PR	2
WA2736	ADO1536AL-FO	ANDO1536AL-FO	14 5/8 x 35 1/4	1	2	HINSCFOL6WY-1PR	2
W1539	ADO1539AL-FO	ANDO1539AL-FO	14 5/8 x 38 1/4	1	3	HINSCFOL6WY-1PR	3
WA2439	ADO1539AL-FO	ANDO1539AL-FO	14 5/8 x 38 1/4	1	3	HINSCFOL6WY-1PR	3
WA2739	ADO1539AL-FO	ANDO1539AL-FO	14 5/8 x 38 1/4	1	3	HINSCFOL6WY-1PR	3
W1542	ADO1542AL-FO	ANDO1542AL-FO	14 5/8 x 41 1/4	1	3	HINSCFOL6WY-1PR	3
W3042	ADO1542AL-FO	ANDO1542AL-FO	14 5/8 x 41 1/4	2	3	HINSCFOL6WY-1PR	6
WA2442	ADO1542AL-FO	ANDO1542AL-FO	14 5/8 x 41 1/4	1	3	HINSCFOL6WY-1PR	3
WA2742	ADO1542AL-FO	ANDO1542AL-FO	14 5/8 x 41 1/4	1	3	HINSCFOL6WY-1PR	3
W1812	ADO1812AL-FO	ANDO1812AL-FO	17 5/8 x 11 1/4	1	2	HINSCFOL6WY-1PR	2
W1815	ADO1815AL-FO	ANDO1815AL-FO	17 5/8 x 14 1/4	1	2	HINSCFOL6WY-1PR	2
PW3618	ADO1818AL-FO	ANDO1818AL-FO	17 5/8 x 17 1/4	4	2	HINSCFOL6WY-1PR	8
W1818	ADO1818AL-FO	ANDO1818AL-FO	17 5/8 x 17 1/4	1	2	HINSCFOL6WY-1PR	2
W3618	ADO1818AL-FO	ANDO1818AL-FO	17 5/8 x 17 1/4	2	2	HINSCFOL6WY-1PR	4
WR3618	ADO1818AL-FO	ANDO1818AL-FO	17 5/8 x 17 1/4	2	2	HINSCFOL6WY-1PR	4
PW1824	ADO1824AL-FO	ANDO1824AL-FO	17 5/8 x 22 3/4	2	2	HINSCFOL6WY-1PR	4
PW3624	ADO1824AL-FO	ANDO1824AL-FO	17 5/8 x 22 3/4	4	2	HINSCFOL6WY-1PR	8
W1824	ADO1824AL-FO	ANDO1824AL-FO	17 5/8 x 22 3/4	1	2	HINSCFOL6WY-1PR	2
W3624	ADO1824AL-FO	ANDO1824AL-FO	17 5/8 x 22 3/4	2	2	HINSCFOL6WY-1PR	4
WR3624	ADO1824AL-FO	ANDO1824AL-FO	17 5/8 x 22 3/4	2	2	HINSCFOL6WY-1PR	4
PW1830	ADO1830AL-FO	ANDO1830AL-FO	17 5/8 x 29 1/4	2	2	HINSCFOL6WY-1PR	4
PW3630	ADO1830AL-FO	ANDO1830AL-FO	17 5/8 x 29 1/4	4	2	HINSCFOL6WY-1PR	8
W1830	ADO1830AL-FO	ANDO1830AL-FO	17 5/8 x 29 1/4	1	2	HINSCFOL6WY-1PR	2
W3630	ADO1830AL-FO	ANDO1830AL-FO	17 5/8 x 29 1/4	2	2	HINSCFOL6WY-1PR	4
W1836	ADO1836AL-FO	ANDO1836AL-FO	17 5/8 x 35 1/4	1	2	HINSCFOL6WY-1PR	2

Replacement Parts

New

Laminate Aluminum Accessory Glass Door and Prep for Glass Door Continued



- Accessory "accent" doors
- Available in most full overlay door sizes only. See chart
- Laminate wrapped Medium Density Fiberboard (MDF) faux aluminum with 2 3/16" wide stiles and rails
- Mitered doors
- Available with factory installed 1/8" thick tempered glass (GD). Glass is held in place with a reusable clear retaining strip along all four edges
- Available Prep for Glass (PG) option intended for 1/8" thick inserts. Does not include retaining strips. Door Insert Retaining Strips (DIRS) sold separately
- Doors have a 90° return with no reverse bevel
- Available drilled for hinges (ADO). Invertible for left or right hinging
- Hinges not included, sold separately
- Available without hinge drilling (ANDO)
- Decorative hardware is required

Cabinet	Accessory Door Drilled	Accessory Door Non Drilled	Door Size	Doors Per Cabinet	Hinges Per Door	Hinge SoftAction	Total Hinges Per Cabinet
W3636	ADO1836AL-FO	ANDO1836AL-FO	17 5/8 x 35 1/4	2	2	HINSCFOL6WY-1PR	4
W1842	ADO1842AL-FO	ANDO1842AL-FO	17 5/8 x 41 1/4	1	3	HINSCFOL6WY-1PR	3
W3642	ADO1842AL-FO	ANDO1842AL-FO	17 5/8 x 41 1/4	2	3	HINSCFOL6WY-1PR	6
W2124	ADO2124AL-FO	ANDO2124AL-FO	20 5/8 x 22 3/4	1	2	HINSCFOL6WY-1PR	2
W2130	ADO2130AL-FO	ANDO2130AL-FO	20 5/8 x 29 1/4	1	2	HINSCFOL6WY-1PR	2
W2136	ADO2136AL-FO	ANDO2136AL-FO	20 5/8 x 35 1/4	1	2	HINSCFOL6WY-1PR	2
W2142	ADO2142AL-FO	ANDO2142AL-FO	20 5/8 x 41 1/4	1	3	HINSCFOL6WY-1PR	3
W2430	ADO2430AL-FO	ANDO2430AL-FO	23 5/8 x 29 1/4	1	2	HINSCFOL6WY-1PR	2
W2436	ADO2436AL-FO	ANDO2436AL-FO	23 5/8 x 35 1/4	1	2	HINSCFOL6WY-1PR	2
W2442	ADO2442AL-FO	ANDO2442AL-FO	23 5/8 x 41 1/4	1	3	HINSCFOL6WY-1PR	3
PW3018B	ADO3018BAL-FO	ANDO3018BAL-FO	14 3/4 x 17 1/4	4	2	HINSCFOL6WY-1PR	8
W3018B	ADO3018BAL-FO	ANDO3018BAL-FO	14 3/4 x 17 1/4	2	2	HINSCFOL6WY-1PR	4
WR3018B	ADO3018BAL-FO	ANDO3018BAL-FO	14 3/4 x 17 1/4	2	2	HINSCFOL6WY-1PR	4
PW3024B	ADO3024BAL-FO	ANDO3024BAL-FO	14 3/4 x 22 3/4	4	2	HINSCFOL6WY-1PR	8
W3024B	ADO3024BAL-FO	ANDO3024BAL-FO	14 3/4 x 22 3/4	2	2	HINSCFOL6WY-1PR	4
PW3030B	ADO3030BAL-FO	ANDO3030BAL-FO	14 3/4 x 29 1/4	4	2	HINSCFOL6WY-1PR	8
W3030B	ADO3030BAL-FO	ANDO3030BAL-FO	14 3/4 x 29 1/4	2	2	HINSCFOL6WY-1PR	4
W3036B	ADO3036BAL-FO	ANDO3036BAL-FO	14 3/4 x 35 1/4	2	2	HINSCFOL6WY-1PR	4
W3042B	ADO3042BAL-FO	ANDO3042BAL-FO	14 3/4 x 41 1/4	2	3	HINSCFOL6WY-1PR	6
W3330B	ADO3330BAL-FO	ANDO3330BAL-FO	16 1/4 x 29 1/4	2	2	HINSCFOL6WY-1PR	4
W3336B	ADO3336BAL-FO	ANDO3336BAL-FO	16 1/4 x 35 1/4	2	2	HINSCFOL6WY-1PR	4
W3342B	ADO3342BAL-FO	ANDO3342BAL-FO	16 1/4 x 41 1/4	2	3	HINSCFOL6WY-1PR	6
PW3618B	ADO3618BAL-FO	ANDO3618BAL-FO	17 3/4 x 17 1/4	4	2	HINSCFOL6WY-1PR	8
W3618B	ADO3618BAL-FO	ANDO3618BAL-FO	17 3/4 x 17 1/4	2	2	HINSCFOL6WY-1PR	4
WR3618B	ADO3618BAL-FO	ANDO3618BAL-FO	17 3/4 x 17 1/4	2	2	HINSCFOL6WY-1PR	4
PW3624B	ADO3624BAL-FO	ANDO3624BAL-FO	17 3/4 x 22 3/4	4	2	HINSCFOL6WY-1PR	8
W3624B	ADO3624BAL-FO	ANDO3624BAL-FO	17 3/4 x 22 3/4	2	2	HINSCFOL6WY-1PR	4
WR3624B	ADO3624BAL-FO	ANDO3624BAL-FO	17 3/4 x 22 3/4	2	2	HINSCFOL6WY-1PR	4
PW3630B	ADO3630BAL-FO	ANDO3630BAL-FO	17 3/4 x 29 1/4	4	2	HINSCFOL6WY-1PR	8
W3630B	ADO3630BAL-FO	ANDO3630BAL-FO	17 3/4 x 29 1/4	2	2	HINSCFOL6WY-1PR	4
W3636B	ADO3636BAL-FO	ANDO3636BAL-FO	17 3/4 x 35 1/4	2	2	HINSCFOL6WY-1PR	4
W3639B	ADO3639BAL-FO	ANDO3639BAL-FO	17 3/4 x 38 1/4	2	3	HINSCFOL6WY-1PR	6
W3642B	ADO3642BAL-FO	ANDO3642BAL-FO	17 3/4 x 41 1/4	2	3	HINSCFOL6WY-1PR	6

Touch Up Materials

Construction Options and Modifications

10a
CCK

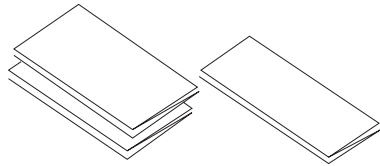


Cabinet Care Kit

10a
CCK

- One 8 oz. squeeze bottle of concentrated wood cleaner
- One 8 oz. squeeze bottle of cabinet/furniture polish and restorer
- Two 13" x 12" cleaning and polishing cloths
- One 17" x 13" dusting cloth

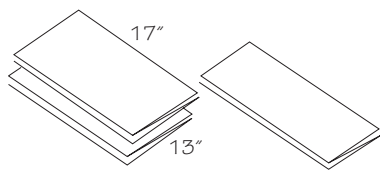
Cabinet Cleaning and Polishing Cloths



10a
CCPC

- 13" x 12" cleaning and polishing cloths
- 25 per carton
- Direct ship program

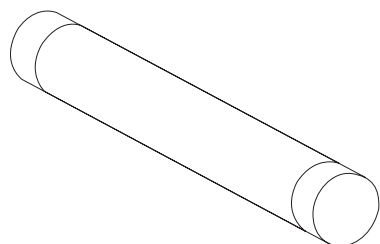
Cabinet Dusting Cloths



10a
CDC

- Treated to pick up and hold dust within cloth
- Six per carton
- Direct ship program

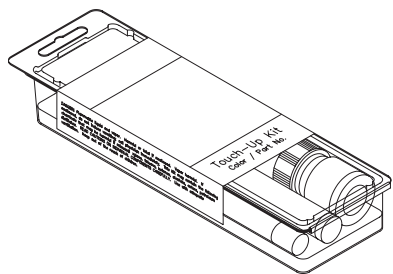
Fill Stick



10a
FS
FS-12

- Matching putty crayon
- Available in all finishes
- Offered individually or 12 per carton

Touch Up Kit



⑩a

TUK

- Available in all finishes
- Used for final touch up and detailing
- Kit includes Touch Up Pen (TP), Fill Stick (FS), a bottle of touch up topcoat and a plastic storage case
- One per carton

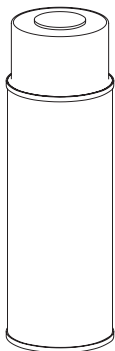


Touch Up Pen

⑩a

**TP
TP-12**

- Felt tip marker with matching stain or paint
- Available in all finishes
- Offered individually or 12 per carton

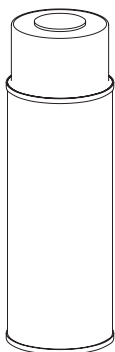


Touch Up Spray Can Primer

⑩a

**TSCP
TSCP-12**

- Used as part of the process for final touch up of painted finishes only
- For use with Touch Up Spray Can Topcoat (TSCT)
- 13 oz. aerosol spray can
- Offered individually or 12 per carton
- Direct ship program

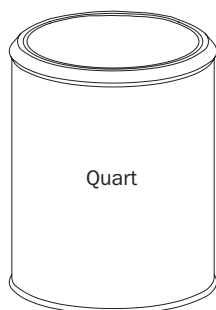


Touch Up Spray Can Topcoat

⑩a

**TSCT
TSCT-12**

- Touch up topcoat paint for painted finishes
- For use with Touch Up Spray Can Primer (TSCP)
- 13 oz. aerosol spray can
- Offered individually or 12 per carton
- Direct ship program



Touch Up Quart

⑩a

Quart Stain
QST

Quart Paint
QP

Quart Glaze
QGL

Quart Clear Sealer/Topcoat
QCST

- Matching stain, paint, glaze and clear sealer/topcoat
- Available in quarts only
- Direct ship program

Stain, Glaze and Paint Direct Ship Information

Items Needed to Reproduce Glaze Finishes

Amaretto with Java Glaze

- Cherry Amaretto Stain
- Dark Brown Glaze
- Clear Sealer/Topcoat

Chiffon with Desert Glaze

- Chiffon Paint
- Medium Brown Glaze
- Clear Sealer/Topcoat

Chiffon with Tuscan Glaze

- Chiffon Paint
- Light Gray Glaze
- Clear Sealer/Topcoat

Cotton with Tuscan Glaze

- Cotton Paint
- Light Gray Glaze
- Clear Sealer/Topcoat

Graphite with Desert Glaze

- Graphite Paint
- Medium Brown Glaze
- Clear Sealer/Topcoat

Graphite with Tuscan Glaze

- Graphite Paint
- Light Gray Glaze
- Clear Sealer/Topcoat

Hazelnut with Java Glaze

- Maple Hazelnut Stain
- Dark Brown Glaze
- Clear Sealer/Topcoat

Mist with Desert Glaze

- Mist Paint
- Medium Brown Glaze
- Clear Sealer/Topcoat

Mist with Tuscan Glaze

- Mist Paint
- Light Gray Glaze
- Clear Sealer/Topcoat

Natural with Java Glaze

- Dark Brown Glaze
- Clear Sealer/Topcoat

Paprika with Ebony Glaze

- Cherry Paprika Stain
- Charcoal Glaze
- Clear Sealer/Topcoat

Sable with Ebony Glaze

- Maple Sable Stain
- Charcoal Glaze
- Clear Sealer/Topcoat

Shale with Desert Glaze

- Shale Paint
- Medium Brown Glaze
- Clear Sealer/Topcoat

Shale with Ebony Glaze

- Shale Paint
- Charcoal (black) Glaze
- Clear Sealer/Topcoat

Toffee with Java Glaze

- Maple Toffee Stain
- Dark Brown Glaze
- Clear Sealer/Topcoat

Items Needed to Reproduce Accent Glaze Finishes

Chiffon with Desert Accent Glaze

- Chiffon Paint
- Medium Brown Glaze Marker
- Clear Sealer/Topcoat

Chiffon with Tuscan Accent Glaze

- Chiffon Paint
- Light Gray Glaze Marker
- Clear Sealer/Topcoat

Cotton with Tuscan Accent Glaze

- Cotton Paint
- Light Gray Glaze Marker
- Clear Sealer/Topcoat

Graphite with Desert Accent Glaze

- Graphite Paint
- Medium Brown Glaze Marker
- Clear Sealer/Topcoat

Graphite with Tuscan Accent Glaze

- Graphite Paint
- Light Gray Glaze Marker
- Clear Sealer/Topcoat

Hazelnut with Java Accent Glaze

- Hazelnut Stain
- Sienna Glaze Marker
- Clear Sealer/Topcoat

Mist with Desert Accent Glaze

- Mist Paint
- Medium Brown Glaze Marker
- Clear Sealer/Topcoat

Mist with Tuscan Accent Glaze

- Mist Paint
- Light Gray Glaze Marker
- Clear Sealer/Topcoat

Natural with Java Accent Glaze

- Sienna (dark brown) Glaze Marker
- Clear Sealer/Topcoat

Sable with Ebony Accent Glaze

- Maple Sable Stain
- Charcoal (black) Glaze Marker
- Clear Sealer/Topcoat

Sedona with Ebony Accent Glaze

- Maple Sedona Stain
- Charcoal (black) Glaze Marker
- Clear Sealer/Topcoat

Shale with Desert Accent Glaze

- Shale Paint
- Medium Brown Glaze Marker
- Clear Sealer/Topcoat

Shale with Ebony Accent Glaze

- Shale Paint
- Charcoal (black) Glaze Marker
- Clear Sealer/Topcoat

Toffee with Java Accent Glaze

- Maple Toffee Stain
- Dark Brown Glaze Marker
- Clear Sealer/Topcoat

This listing represents the matching stain, paint and glaze, as well as clear sealer/topcoat needed to reproduce our finishes.

Available in quarts only. The stains are a "two-step" process, requiring first the application of the hand-wipe stain, followed by the application of the clear sealer/topcoat. Instructions and safety data sheets are packaged with each can of stain or clear sealer/topcoat.

Each stain has been developed for a specific wood specie, and is listed within the stain name, i.e., Cherry Amaretto. If a stain is applied to a wood specie other than it was originally formulated for the color can be expected to have a different appearance. For the color "Natural", the sealer/topcoat provides the same results as our facilities.

For optimum in-field color matches, it is recommended that the clear sealer/topcoat be applied following stain application.

There is **no** warranty on stains or items stained outside our facilities.

Important Notes:

The clear sealer/topcoat includes UV inhibitors. **Not** all sealers/topcoats are clear, and using a formula from another source could alter the appearance and color of the wood.

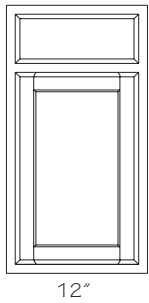
Items (material) on this page will **not** ship with your cabinet order but will ship directly from our supplier.

Sales Doors

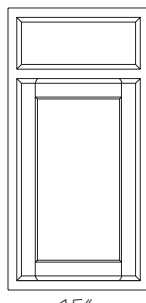
Construction Options and Modifications

10a

SLDO14.75X11.25



ACCESSDFAVB12



ACCESSDFAB15

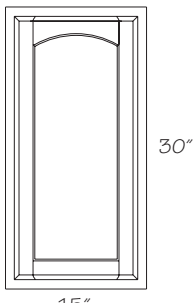
Door and Frame Assembly Sales Samples

10a

10c

ACCESSDFAVB12
ACCESSDFAB15
ACCESSDFAW1530 L

- Available in all door styles
- Fits on carousels
- Door and drawer front sizes vary depending on full or partial overlay
- ACCESSDFAVB12 is the face frame/door/drawer front from a VB12 vanity cabinet
- One per carton

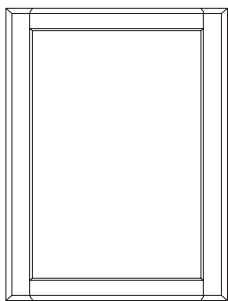


ACCESSDFAW1530L

Sales Door

10a

SLDO14.75X11.25



14.75"

11.25"

- Available in all door styles, species and finishes
- Includes door only
- One per carton

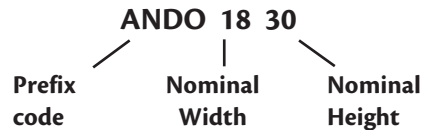
How to Use This Section

This section lists all replacement doors and drawer fronts by their nomenclature. This section also details the dimensions of each door in the overlays available.

Accessory Non-Drilled Door Information (ANDO)

Accessory non-drilled doors are not prepared for hinges. Accessory non-drilled doors are shipped with pliable bumpers attached. Accessory non-drilled glass door, mullion glass and prairie doors are available on only certain sizes which are designated with an * symbol.

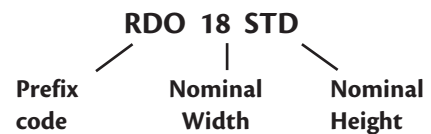
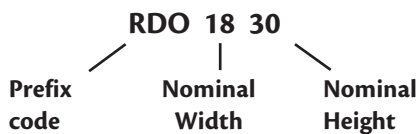
Accessory non-drilled doors and drawer fronts are coded for easy reference. The prefix indicates door and usage. The first two digits indicate nominal width and the second two digits indicate nominal height.



Replacement Door and Drawer Front Information (RDO and RDF)

Replacement doors are prepared for hinges. Replacement doors and drawer fronts are shipped with pliable bumpers attached. Replacement glass door, mullion glass and prairie doors are available on only certain size cabinets which are designated with an * symbol.

Replacement doors and drawer fronts are coded for easy reference. The prefix indicates door or drawer and usage. For replacement doors the first two digits indicate nominal width and the second two digits indicate nominal height. For replacement drawer fronts the first two digits indicate nominal height and second two digits indicate nominal width.



Prefix Codes

ANDO Accessory Non-Drilled Door
RDO Replacement Door

RDF Replacement Drawer Front

Accessory Non-Drilled Door specific prefix codes are as follows:

ANDOBBC36/39	Accessory non-drilled door for Base Blind Corner 36/39
ANDOBBCA24BFH	Accessory non-drilled door for Base Corner Angle 24 Butt-Door Full Height
ANDOBCR33	Accessory non-drilled door for Base Corner Revolving 33
ANDOBCR36	Accessory non-drilled door for Base Corner Revolving 36
ANDOMDEP	Accessory non-drilled door for Matching Desk End Panel
ANDOMTEP1218	Accessory non-drilled door for Matching Tall End Panel 1284 top door
ANDOMTEP12TALL	Accessory non-drilled door for Matching Tall End Panel 12 wide tall bottom door
ANDOMTEP21TALL	Accessory non-drilled door for Matching Tall End Panel 21 wide tall bottom door
ANDOSBC60-VCD/VSB6035	Accessory non-drilled door for Sink Base Combination 60 - Vanity Combination Drawer/Vanity Sink Base 6035
ANDOSFA39	Accessory non-drilled door for Sink Front Angle 39
ANDOSFA42	Accessory non-drilled door for Sink Front Angle 42
ANDOUBCR36	Accessory non-drilled door for Base Corner Revolving 36
ANDOV6035FH	Accessory non-drilled door for Vanity Base 6035 Full Height
ANDOV60FH	Accessory non-drilled door for Vanity Base 60 Full Height
ANDOVCD/VSB60	Accessory non-drilled door for Vanity Combination Drawer/Vanity Sink Base 60
ANDOVSB6035-4D	Accessory non-drilled door for Vanity Sink Base Double Bowl 6035 - 4D
ANDOVSB60-3D	Accessory non-drilled door for Vanity Sink Base Double Bowl 60 - 3D
ANDOWBC24/27(xx)	Accessory non-drilled door for Wall Blind Corner 24/27 (all heights)
ANDOWEZR(xx)	Accessory non-drilled door for Wall Easy Reach (all heights)

Replacement Door suffix codes are as follows:

BWBT	Base Wastebasket Top Mount
L	Left hinged
R	Right hinged
BL	Butt door left hinged
BR	Butt door right hinged
TALLL	Tall door left hinged
TALLR	Tall door right hinged
TALLB	Tall door - butt door
BGD	Butt Door - Glass Door
GD	Glass Door
BMG	Butt Door - Mullion Glass
LMG	Left hinged - Mullion Glass
RMG	Right hinged - Mullion Glass
PR	Prairie Door
BPR	Butt Door - Prairie Door

Replacement Door specific prefix codes are as follows:

RDOBBC36/39	Replacement door for Base Blind Corner 36/39
RDOBCA24BFH	Replacement door for Base Corner Angle 24 Butt-Door Full Height
RDOBCR33	Replacement door for Base Corner Revolving 33
RDOBCR36	Replacement door for Base Corner Revolving 36
RDOBLS	Replacement door for Base Lazy Susan
RDOSFA39	Replacement door for Sink Front Angle 39
RDOSFA42	Replacement door for Sink Front Angle 42
RDOUBCR36	Replacement door for Universal Access Base Corner Revolving 36
RDOUBLS	Replacement door for Universal Access Base Lazy Susan
RDOVB6035FH	Replacement door for Vanity Base 6035 Full Height
RDOVB60FH	Replacement door for Vanity Base 60 Full Height
RDO12(xx)MCW	Replacement door for Message Center Wall
RDOVCD/VSB60	Replacement door for Vanity Combination Drawer/Vanity Sink Base 60
RDOSBC60-VCD/	Replacement door for Sink Base Combina
	tion 60 - VSB6035 Vanity Combination
	Drawer/Vanity Sink Base 6035
RDOVSB6035-4D	Replacement door for Vanity Sink Base Double Bowl 6035 - 4D
RDOVSB60-3D	Replacement door for Vanity Sink Base Double Bowl 60 - 3D
RDOWBC24/27(xx)	Replacement door for Wall Blind Corner 24/27 (all heights)
RDOWEZR(xx)	Replacement door for Wall Easy Reach (all heights)

Replacement Drawer Front suffix codes are as follows:

DKD	3.500 or 4.125 front height
STD	5.500 or 6.125 front height
STDUT	5.500 or 6.125 front height with Utility Tray drilling
DP1	9.000 or 9.750 front height
DP2	10.375 or 11.188 front height
DP3	10.750 front height
BPPS	13.500 or 14.437 front height
DFD	6.000 or 17.625 front height - Desk File Drawer

PART	Traditional Overlay	Full Overlay
RDO36TALLB	17 1/16 X 60 1/2	17 3/4 X 61 1/8
RDO30TALLB	14 1/16 X 60 1/2	14 3/4 X 61 1/8
RDO24TALLB	11 1/16 X 60 1/2	11 3/4 X 61 1/8
RDO24TALL	22 1/4 X 60 1/2	23 5/8 X 61 1/8
RDO18TALL	16 1/4 X 60 1/2	17 5/8 X 61 1/8
RDO15TALL	13 1/4 X 60 1/2	14 5/8 X 61 1/8
RDF39STDUT	5 1/2 X 37 1/4	6 1/8 X 38 5/8
RDF36STDUT	5 1/2 X 34 1/4	6 1/8 X 35 5/8
RDF33STDUT	5 1/2 X 31 1/4	6 1/8 X 32 5/8
RDF30STDUT	5 1/2 X 28 1/4	6 1/8 X 29 5/8
RDF27STDUT	5 1/2 X 25 1/4	6 1/8 X 26 5/8
RDF24STDUT	5 1/2 X 22 1/4	6 1/8 X 23 5/8
RDF21STDUT	5 1/2 X 19 1/4	6 1/8 X 20 5/8
RDF24STDUBT	5 1/2 X 22 1/4	6 1/8 X 23 5/8
RDF5FA39STD	5 1/2 X 19	6 1/8 X 18 7/8
RDF45STD	5 1/2 X 20 3/4	6 1/8 X 22 1/8
RDF39STD	5 1/2 X 37 1/4	6 1/8 X 38 5/8
RDF36STD	5 1/2 X 34 1/4	6 1/8 X 35 5/8
RDF33STD	5 1/2 X 31 1/4	6 1/8 X 32 5/8
RDF30STD	5 1/2 X 28 1/4	6 1/8 X 29 5/8
RDF27STD	5 1/2 X 25 1/4	6 1/8 X 26 5/8
RDF24STD	5 1/2 X 22 1/4	6 1/8 X 23 5/8
RDF21STD	5 1/2 X 19 1/4	6 1/8 X 20 5/8
RDF18STD	5 1/2 X 16 1/4	6 1/8 X 17 5/8
RDF15STD	5 1/2 X 13 1/4	6 1/8 X 14 5/8
RDF12STD	5 1/2 X 10 1/4	6 1/8 X 11 5/8
RDOVB60FH	12 5/8 X 25	14 X 26 1/4
RDF24DP3	N/A	10 3/4 X 23 5/8
RDF21DP3	N/A	10 3/4 X 20 5/8
RDF18DP3	N/A	10 3/4 X 17 5/8
RDF15DP3	N/A	10 3/4 X 14 5/8
RDF12DP3	N/A	10 3/4 X 11 5/8
RDF36DP2	10 3/8 X 34 1/4	11 3/16 X 35 5/8
RDF33DP2	10 3/8 X 31 1/4	11 3/16 X 32 5/8
RDF30DP2	10 3/8 X 28 1/4	11 3/16 X 29 5/8
RDF27DP2	10 3/8 X 25 1/4	11 3/16 X 26 5/8
RDF24DP2	10 3/8 X 22 1/4	11 3/16 X 23 5/8
RDF21DP2	10 3/8 X 19 1/4	11 3/16 X 20 5/8
RDF18DP2	10 3/8 X 16 1/4	11 3/16 X 17 5/8
RDF15DP2	10 3/8 X 13 1/4	11 3/16 X 14 5/8
RDF12DP2	10 3/8 X 10 1/4	11 3/16 X 11 5/8
RDF27DP1	9 X 25 1/4	9 3/4 X 26 5/8
RDF24DP1	9 X 22 1/4	9 3/4 X 23 5/8
RDF21DP1	9 X 19 1/4	9 3/4 X 20 5/8
RDF18DP1	9 X 16 1/4	9 3/4 X 17 5/8
RDF15DP1	9 X 13 1/4	9 3/4 X 14 5/8
RDF12DP1	9 X 10 1/4	9 3/4 X 11 5/8
RDF36DKD	3 1/2 X 34 1/4	4 1/8 X 35 5/8
RDF30DKD	3 1/2 X 28 1/4	4 1/8 X 29 5/8

PART	Traditional Overlay	Full Overlay
RDF24DKD	3 1/2 X 22 1/4	4 1/8 X 23 5/8
RDF18DKD	3 1/2 X 16 1/4	4 1/8 X 17 5/8
RDF24DFD	22 1/4 X 16	23 5/8 X 17 1/4
RDF21DFD	19 1/4 X 16	20 5/8 X 17 1/4
RDF18DFD	16 1/4 X 16	17 5/8 X 17 1/4
RDF15DFD	13 1/4 X 16	14 5/8 X 17 1/4
RDF36BPPS	13 1/4 X 34 1/4	14 1/2 X 35 5/8
RDF33BPPS	13 1/4 X 31 1/4	14 1/2 X 32 5/8
RDF30BPPS	13 1/4 X 28 1/4	14 1/2 X 29 5/8
RDF27BPPS	13 1/4 X 25 1/4	14 1/2 X 26 5/8
RDOBCA24BFH	15 25/32 X 28	16 15/32 X 29 1/4
RDOVSB6035-4D	18 5/8 X 21 1/2	20 X 22 3/4
RDO1848	16 1/4 X 46	17 5/8 X 47 1/4
RDO3642B*	17 1/16 X 40	17 3/4 X 41 1/4
RDO3342B*	15 9/16 X 40	16 1/4 X 41 1/4
RDO3042B*	14 1/16 X 40	14 3/4 X 41 1/4
RDO2742B	12 9/16 X 40	13 1/4 X 41 1/4
RDO2442B*	11 1/16 X 40	11 3/4 X 41 1/4
*Available in GD, MG, or PR option		
RDO942	7 1/4 X 40	8 5/8 X 41 1/4
RDO4542	20 3/4 X 40	22 1/8 X 41 1/4
RDO3942	17 3/4 X 40	19 1/8 X 41 1/4
RDO3342*	14 3/4 X 40	16 1/8 X 41 1/4
RDO2742	11 3/4 X 40	13 1/8 X 41 1/4
RDO2442*	22 1/4 X 40	23 5/8 X 41 1/4
RDO2142*	19 1/4 X 40	20 5/8 X 41 1/4
RDO1842*	16 1/4 X 40	17 5/8 X 41 1/4
RDO1542*	13 1/4 X 40	14 5/8 X 41 1/4
RDO1242	10 1/4 X 40	11 5/8 X 41 1/4
RDO1242MCW	10 1/4 x 40	10 15/16 x 41 1/4
*Available in GD, MG, or PR option		
RDFVSB60-3DSTD	5 1/2 X 18 5/8	6 1/8 X 20
RDOVSB60-3D	18 5/8 X 18 1/2	20 X 19 3/4
RDO3639B*	17 1/16 X 37	17 3/4 X 38 1/4
RDO3339B	15 9/16 X 37	16 1/4 X 38 1/4
RDO3039B*	14 1/16 X 37	14 3/4 X 38 1/4
RDO2739B	12 9/16 X 37	13 1/4 X 38 1/4
RDO2439B*	11 1/16 X 37	11 3/4 X 38 1/4
*Available in GD, MG, or PR option		
RDO939	7 1/4 X 37	8 5/8 X 38 1/4
RDO4539	20 3/4 X 37	22 1/8 X 38 1/4
RDO3939	17 3/4 X 37	19 1/8 X 38 1/4
RDO3339	14 3/4 X 37	14 5/8 X 38 1/4
RDO2739	11 3/4 X 37	13 1/8 X 38 1/4
RDO2439*	22 1/4 X 37	23 5/8 X 38 1/4
RDO2139*	19 1/4 X 37	20 5/8 X 38 1/4
RDO1839	16 1/4 X 37	17 5/8 X 38 1/4

PART	Traditional Overlay	Full Overlay
RDO1539*	13 1/4 X 37	14 5/8 X 38 1/4
RDO1239	N/A	11 5/8 X 38 1/4
RDO1239MCW	10 1/4 x 37	10 15/16 x 3/ 1/4
*Available in GD, MG, or PR option		
RDO3636B*	17 1/16 X 34	17 3/4 X 35 1/4
RDO3336B*	15 9/16 X 34	16 1/4 X 35 1/4
RDO3036B*	14 1/16 X 34	14 3/4 X 35 1/4
RDO2736B	12 9/16 X 34	13 1/4 X 35 1/4
RDO2436B*	11 1/16 X 34	11 3/4 X 35 1/4
RDO2436	22 1/4 X 34	23 5/8 X 35 1/4
*Available in GD, MG, or PR option		
RDO936	7 1/4 X 34	8 5/8 X 35 1/4
RDO4536	20 3/4 X 34	22 1/8 X 35 1/4
RDO3936	17 3/4 X 34	19 1/8 X 35 1/4
RDO3336*	14 3/4 X 34	16 1/8 X 35 1/4
RDO2736	11 3/4 X 34	13 1/8 X 35 1/4
RDO2136*	19 1/4 X 34	20 5/8 X 35 1/4
RDO1836*	16 1/4 X 34	17 5/8 X 35 1/4
RDO1536*	13 1/4 X 34	14 5/8 X 35 1/4
RDO1236	10 1/4 X 34	11 5/8 X 35 1/4
RDO1236MCW	10 1/4 x 34	10 15/16 x 35 1/4
*Available in GD, MG, or PR option		
RDOVB6035FH	12 5/8 X 28	14 X 29 1/4
RDO930BPO	7 1/4 X 28	8 5/8 X 29 1/4
RDO3630B	17 1/16 X 28	17 3/4 X 29 1/4
RDO3330B*	15 9/16 X 28	16 1/4 X 29 1/4
RDO3030B*	14 1/16 X 28	14 3/4 X 29 1/4
RDO2730B	12 9/16 X 28	13 1/4 X 29 1/4
RDO2430B*	11 1/16 X 28	11 3/4 X 29 1/4
*Available in GD, MG, or PR option		
RDO930	7 1/4 X 28	8 5/8 X 29 1/4
RDO4530	20 3/4 X 28	22 1/8 X 29 1/4
RDO3930	17 3/4 X 28	19 1/8 X 29 1/4
RDO3330*	14 3/4 X 28	16 1/8 X 29 1/4
RDO2730	11 3/4 X 28	13 1/8 X 29 1/4
RDO2430*	22 1/4 X 28	23 5/8 X 29 1/4
RDO2130*	19 1/4 X 28	20 5/8 X 29 1/4
RDO1830*	16 1/4 X 28	17 5/8 X 29 1/4
RDO1530*	13 1/4 X 28	14 5/8 X 29 1/4
RDO1230	10 1/4 X 28	11 5/8 X 29 1/4
RDO1230MCW	10 1/4 x 28	10 15/16 x 29 1/4
*Available in GD, MG, or PR option		
RDFVCD/VSB60-2DSTD	5 1/2 X 27	6 1/8 X 28 3/8
RDO3627B	17 1/16 X 25	17 3/4 X 26 1/4
RDO3327B	15 9/16 X 25	16 1/4 X 26 1/4
RDO3027B	14 1/16 X 25	14 3/4 X 26 1/4
RDO2727B	12 9/16 X 25	13 1/4 X 26 1/4
RDO2427B	11 1/16 X 25	11 3/4 X 26 1/4
RDO927	7 1/4 X 25	8 5/8 X 26 1/4
RDO4527	20 3/4 X 25	22 1/8 X 26 1/4

PART	Traditional Overlay	Full Overlay
RDO3927	17 3/4 X 25	19 1/8 X 26 1/4
RDO3327	14 3/4 X 25	16 1/8 X 26 1/4
RDO2427	22 1/4 X 25	23 5/8 X 26 1/4
RDO2127	19 1/4 X 25	20 5/8 X 26 1/4
RDO1827	16 1/4 X 25	17 5/8 X 26 1/4
RDO1527	13 1/4 X 25	14 5/8 X 26 1/4
RDO1227	10 1/4 X 25	11 5/8 X 26 1/4
RDO1824BWB	16 1/4 X 21 1/2	17 5/8 X 22 3/4
RDO1524BWB	13 1/4 X 21 1/2	14 5/8 X 22 3/4
RDO3624B	17 1/16 X 21 1/2	17 3/4 X 22 3/4
RDO3324B	15 9/16 X 21 1/2	16 1/4 X 22 3/4
RDO3024B*	14 1/16 X 21 1/2	14 3/4 X 22 3/4
RDO2724B	12 9/16 X 21 1/2	13 1/4 X 22 3/4
RDO2424B*	11 1/16 X 21 1/2	11 3/4 X 22 3/4
*Available in GD, MG, or PR option		
RDO4524	20 3/4 X 21 1/2	22 1/8 X 22 3/4
RDO3924	17 3/4 X 21 1/2	19 1/8 X 22 3/4
RDO3324	14 3/4 X 21 1/2	16 1/8 X 22 3/4
RDO2724	11 3/4 X 21 1/2	13 1/8 X 22 3/4
RDO2424*	22 1/4 X 21 1/2	23 5/8 X 22 3/4
RDO2124*	19 1/4 X 21 1/2	20 5/8 X 22 3/4
RDO1824*	16 1/4 X 21 1/2	17 5/8 X 22 3/4
RDO1524*	13 1/4 X 21 1/2	14 5/8 X 22 3/4
RDO1224	10 1/4 X 21 1/2	11 5/8 X 22 3/4
*Available in GD, MG, or PR option		
RDO3621B	17 1/16 X 18 1/2	17 3/4 X 19 3/4
RDO3321B	15 9/16 X 18 1/2	16 1/4 X 19 3/4
RDO3021B	14 1/16 X 18 1/2	14 3/4 X 19 3/4
RDO2721B	12 9/16 X 18 1/2	13 1/4 X 19 3/4
RDO2421B	11 1/16 X 18 1/2	11 3/4 X 19 3/4
RDO3921	17 3/4 X 18 1/2	19 1/8 X 19 3/4
RDO3321	14 3/4 X 18 1/2	16 1/8 X 19 3/4
RDO2421	22 1/4 X 18 1/2	23 5/8 X 19 3/4
RDO2121	19 1/4 X 18 1/2	20 5/8 X 19 3/4
RDO1821	16 1/4 X 18 1/2	17 5/8 X 19 3/4
RDO1521	13 1/4 X 18 1/2	14 5/8 X 19 3/4
RDO1221	10 1/4 X 18 1/2	11 5/8 X 19 3/4
RDO3618B	17 1/16 X 16	17 3/4 X 17 1/4
RDO3318B	15 9/16 X 16	16 1/4 X 17 1/4
RDO3018B*	14 1/16 X 16	14 3/4 X 17 1/4
RDO2718B	12 9/16 X 16	13 1/4 X 17 1/4
RDO2418B	11 1/16 X 16	11 3/4 X 17 1/4
*Available in GD, MG, or PR option		
RDO4518	20 3/4 X 16	22 1/8 X 17 1/4
RDO3918	17 3/4 X 16	19 1/8 X 17 1/4
RDO3318	14 3/4 X 16	16 1/8 X 17 1/4
RDO2418	22 1/4 X 16	23 5/8 X 17 1/4
RDO2118	19 1/4 X 16	20 5/8 X 17 1/4
RDO1818	16 1/4 X 16	17 5/8 X 17 1/4
RDO1518	13 1/4 X 16	14 5/8 X 17 1/4
RDO1218	10 1/16 X 16	11 5/8 X 17 1/4

PART	Traditional Overlay	Full Overlay
RDO3615B	17 1/16 X 13	17 3/4 X 14 1/4
RDO3315B	15 9/16 X 13	16 1/4 X 14 1/4
RDO3015B	14 1/16 X 13	14 3/4 X 14 1/4
RDO2715B	12 9/16 X 13	13 1/4 X 14 1/4
RDO2415B	11 1/16 X 13	11 3/4 X 14 1/4
RDO4515	20 3/4 X 13	22 1/8 X 14 1/4
RDO3915	17 3/4 X 13	19 1/8 X 14 1/4
RDO3315	14 3/4 X 13	16 1/8 X 14 1/4
RDO2415	22 1/4 X 13	23 5/8 X 14 1/4
RDO2115	19 1/4 X 13	20 5/8 X 14 1/4
RDO1815	16 1/4 X 13	17 5/8 X 14 1/4
RDO1515	13 1/4 X 13	14 5/8 X 14 1/4
RDO3612B	17 1/16 X 10	17 3/4 X 11 1/4
RDO3312B	15 9/16 X 10	16 1/4 X 11 1/4
RDO3012B	14 1/16 X 10	14 3/4 X 11 1/4
RDO2712B	12 9/16 X 10	13 1/4 X 11 1/4
RDO4512	20 3/4 X 10	22 1/8 X 11 1/4
RDO3912	17 3/4 X 10	19 1/8 X 11 1/4
RDO3312	14 3/4 X 10	16 1/8 X 11 1/4
RDO2412	22 1/4 X 10	23 5/8 X 11 1/4
RDO2112	19 1/4 X 10	20 5/8 X 11 1/4
RDO1812	16 1/4 x 10	17 5/8 x 11 1/4
RDO1512	13 1/4 X 10	14 5/8 X 11 1/4
RDOWEZR42	10 1/4 X 40	10 15/16 X 41 1/4
RDOWEZR39	10 1/4 X 37	10 15/16 X 38 1/4
RDOWEZR36	10 1/4 X 34	10 15/16 X 35 1/4
RDOWEZR30	10 1/4 X 28	10 15/16 X 29 1/4
RDOWBC24/2742	8 3/4 X 40	10 1/8 X 41 1/4
RDOWBC24/2739	8 3/4 X 37	10 1/8 X 38 1/4
RDOWBC24/2736	8 3/4 X 34	10 1/8 X 35 1/4
RDOWBC24/2730	8 3/4 X 28	10 1/8 X 29 1/4
RDOVCD/VSB60	12 5/8 X 18 1/2	14 X 19 3/4
RDOUBLS	10 1/8 X 24 1/4	N/A
RDOUBCR36	10 1/4 X 25	10 15/16 X 26 1/4
RDOSFA42	23 1/4 X 21 1/2	23 1/8 X 22 3/4
RDOSFA39	19 X 21 1/2	18 7/8 X 22 3/4
RDOSBC60-VCD/VSB6035	12 5/8 X 21 1/2	14 X 22 3/4
RDOBLS	10 1/8 X 27 1/4	N/A
RDOBCR36	10 1/4 X 28	10 15/16 X 29 1/4
RDOBCR33	7 1/4 X 28	7 15/16 X 29 1/4
RDOBBC36/39	8 3/4 X 21 1/2	10 1/8 X 22 3/4
RDFSBA/SFA42STD	5 1/2 X 23 1/4	6 1/8 X 23 1/8
RDFBBC45/48STD	5 1/2 X 17 3/4	6 1/8 X 19 1/8
RDFBBC36/39STD	5 1/2 X 8 3/4	6 1/8 X 10 1/8
RDF33/2STD	5 1/2 X 14 3/4	6 1/8 X 16 1/8
RDF27/2STD	5 1/2 X 11 3/4	6 1/8 X 13 1/8

PART	Traditional Overlay	Full Overlay
ANDOV60FH	12 5/8 X 25	14 X 26 1/4
ANDO1848	16 1/4 X 46	17 5/8 X 47 1/4
ANDOWEZR42	10 1/4 X 40	10 15/16 X 41 1/4
ANDOWBC24/2742	8 3/4 X 40	10 1/8 X 41 1/4
ANDOSFA42	23 1/4 X 21 1/2	23 1/8 X 22 3/4
ANDO4542	20 3/4 X 40	22 1/8 X 41 1/4
ANDO3942	17 3/4 X 40	19 1/8 X 41 1/4
ANDO3642B *	17 1/16 X 40	17 3/4 X 41 1/4
ANDO3342B *	15 9/16 X 40	16 1/4 X 41 1/4
ANDO3342 *	14 3/4 X 40	16 1/8 X 41 1/4
ANDO3042B *	14 1/16 X 40	14 3/4 X 41 1/4
ANDO2742B	12 9/16 X 40	13 1/4 X 41 1/4
ANDO2742	11 3/4 X 40	13 1/8 X 41 1/4
ANDO2442B *	11 1/16 X 40	11 3/4 X 41 1/4
ANDO2442 *	22 1/4 X 40	23 5/8 X 41 1/4
ANDO2142 *	19 1/4 X 40	20 5/8 X 41 1/4
ANDO1842 *	16 1/4 X 40	17 5/8 X 41 1/4
ANDO1542 *	13 1/4 X 40	14 5/8 X 41 1/4
ANDO1242	10 1/4 X 40	11 5/8 X 41 1/4
ANDO942	7 1/4 X 40	8 5/8 X 41 1/4
ANDOWEZR39	10 1/4 X 37	10 15/16 X 38 1/4
ANDOWBC24/2739	8 3/4 X 37	10 1/8 X 38 1/4
ANDOSFA39	19 X 21 1/2	18 7/8 X 22 3/4
ANDOBBC36/39	8 3/4 X 21 1/2	10 1/8 X 22 3/4
ANDO4539	20 3/4 X 37	22 1/8 X 38 1/4
ANDO3939	17 3/4 X 37	19 1/8 X 38 1/4
ANDO3639B *	17 1/16 X 37	17 3/4 X 38 1/4
ANDO3339B *	15 9/16 X 37	16 1/4 X 38 1/4
ANDO3339	14 3/4 X 37	16 1/8 X 38 1/4
ANDO3039B *	14 1/16 X 37	14 3/4 X 38 1/4
ANDO2739B	12 9/16 X 37	13 1/4 X 38 1/4
ANDO2739	11 3/4 X 37	13 1/8 X 38 1/4
ANDO2439B *	11 1/16 X 37	11 3/4 X 38 1/4
ANDO2439 *	22 1/4 X 37	23 5/8 X 38 1/4
ANDO2139 *	19 1/4 X 37	20 5/8 X 38 1/4
ANDO1839 *	16 1/4 X 37	17 5/8 X 38 1/4
ANDO1539 *	13 1/4 X 37	14 5/8 X 38 1/4
ANDO1239	10 1/4 X 37	11 5/8 X 38 1/4
ANDO939	7 1/4 X 37	8 5/8 X 38 1/4
ANDOWEZR36	10 1/4 X 34	10 15/16 X 35 1/4
ANDOWBC24/2736	8 3/4 X 34	10 1/8 X 35 1/4
ANDOUBCR36	10 1/4 X 25	11 5/8 X 26 1/4
ANDOB36	10 1/4 X 28	10 15/16 X 29 1/4
ANDO4536	20 3/4 X 34	22 1/8 X 35 1/4
ANDO3936	17 3/4 X 34	19 1/8 X 35 1/4
ANDO36TALLB	17 1/16 X 60 1/2	17 3/4 X 61 1/8
ANDO3636B *	17 1/16 X 34	17 3/4 X 35 1/4
ANDO3336B *	15 9/16 X 34	16 1/4 X 35 1/4
ANDO3336 *	14 3/4 X 34	16 1/8 X 35 1/4
ANDO3036B *	14 1/16 X 34	14 3/4 X 35 1/4
ANDO3030B *	14 1/16 X 28	14 3/4 X 29 1/4
ANDO2736B	12 9/16 X 34	13 1/4 X 35 1/4
ANDO2736	11 3/4 X 34	13 1/8 X 35 1/4
ANDO2436B *	11 1/16 X 34	11 3/4 X 35 1/4
ANDO2436 *	22 1/4 X 34	23 5/8 X 35 1/4
ANDO2136 *	19 1/4 X 34	20 5/8 X 35 1/4
ANDO1836 *	16 1/4 X 34	17 5/8 X 35 1/4

* Available in GD, MG, or PR option

PART	Traditional Overlay	Full Overlay
ANDO1536 *	13 1/4 X 34	14 5/8 X 35 1/4
ANDO1236	10 1/4 X 34	11 5/8 X 35 1/4
ANDO936	7 1/4 X 34	8 5/8 X 35 1/4
ANDOV B6035FH	12 5/8 X 28	14 X 29 1/4
ANDOBCR33	7 1/4 X 28	7 15/16 X 29 1/4
ANDOWEZR30	10 1/4 X 28	10 15/16 X 29 1/4
ANDOWBC24/2730	8 3/4 X 28	10 1/8 X 29 1/4
ANDO4530	20 3/4 X 28	22 1/8 X 29 1/4
ANDO3930	17 3/4 X 28	19 1/8 X 29 1/4
ANDO3630B	17 1/16 X 28	17 3/4 X 29 1/4
ANDO3330B *	15 9/16 X 28	16 1/4 X 29 1/4
ANDO3330 *	14 3/4 X 28	16 1/8 X 29 1/4
ANDO30TALLB	14 1/16 X 60 1/2	14 3/4 X 61 1/8
ANDO2730B	12 9/16 X 28	13 1/4 X 29 1/4
ANDO2730	11 3/4 X 28	13 1/8 X 29 1/4
ANDO2430B *	11 1/16 X 28	11 3/4 X 29 1/4
ANDO2430 *	22 1/4 X 28	23 5/8 X 29 1/4
ANDO2130 *	19 1/4 X 28	20 5/8 X 29 1/4
ANDO1830 *	16 1/4 X 28	17 5/8 X 29 1/4
ANDO1530 *	13 1/4 X 28	14 5/8 X 29 1/4
ANDO1230	10 1/4 X 28	11 5/8 X 29 1/4
ANDO930	7 1/4 X 28	8 5/8 X 29 1/4
ANDO4527	20 3/4 X 25	22 1/8 X 26 1/4
ANDO3927	17 3/4 X 25	19 1/8 X 26 1/4
ANDO3627B	17 1/16 X 25	17 3/4 X 26 1/4
ANDO3327B	15 9/16 X 25	16 1/4 X 26 1/4
ANDO3327	14 3/4 X 25	16 1/8 X 26 1/4
ANDO3027B	14 1/16 X 25	14 3/4 X 26 1/4
ANDO2727B	12 9/16 X 25	13 1/4 X 26 1/4
ANDO2724B	12 9/16 X 21 1/2	13 1/4 X 22 3/4
ANDO2427B	11 1/16 X 25	11 3/4 X 26 1/4
ANDO2427	22 1/4 X 25	23 5/8 X 26 1/4
ANDO2127	19 1/4 X 25	20 5/8 X 26 1/4
ANDO1827	16 1/4 X 25	17 5/8 X 26 1/4
ANDO1527	13 1/4 X 25	14 5/8 X 26 1/4
ANDO1227	10 1/4 X 25	11 5/8 X 26 1/4
ANDO927	7 1/4 X 25	8 5/8 X 26 1/4
ANDOB CA24BFH	15 25/32 X 28	16 15/32 X 29 1/4
ANDO4524	20 3/4 X 21 1/2	22 1/8 X 22 3/4
ANDO3924	17 3/4 X 21 1/2	19 1/8 X 22 3/4
ANDO3624B	17 1/16 X 21 1/2	17 3/4 X 22 3/4
ANDO3324B	15 9/16 X 21 1/2	16 1/4 X 22 3/4
ANDO3324	14 3/4 X 21 1/2	16 1/8 X 22 3/4
ANDO3024B *	14 1/16 X 21 1/2	14 3/4 X 22 3/4
ANDO2724	11 3/4 X 21 1/2	13 1/8 X 22 3/4
ANDO24TALLB	11 1/16 X 60 1/2	11 3/4 X 61 1/8
ANDO24TALL	22 1/4 X 60 1/2	23 5/8 X 61 1/8
ANDO2424B *	11 1/16 X 21 1/2	11 3/4 X 22 3/4
ANDO2424 *	22 1/4 X 21 1/2	23 5/8 X 22 3/4
ANDO2124 *	19 1/4 X 21 1/2	20 5/8 X 22 3/4
ANDO1824 *	16 1/4 X 21 1/2	17 5/8 X 22 3/4
ANDO1524 *	13 1/4 X 21 1/2	14 5/8 X 22 3/4
ANDO1224	10 1/4 X 21 1/2	11 5/8 X 22 3/4
ANDOMTEP21TALL	19 1/4 X 60 1/2	20 5/8 X 61 1/8
ANDO3921	17 3/4 X 18 1/2	19 1/8 X 19 3/4
ANDO3621B	17 1/16 X 18 1/2	17 3/4 X 19 3/4
ANDO3321B	15 9/16 X 18 1/2	16 1/4 X 19 3/4
ANDO3321	14 3/4 X 18 1/2	16 1/8 X 19 3/4

* Available in GD, MG, or PR option

PART	Traditional Overlay	Full Overlay
ANDO3021B	14 1/16 X 18 1/2	14 3/4 X 19 3/4
ANDO2721B	12 9/16 X 18 1/2	13 1/4 X 19 3/4
ANDO2421B	11 1/16 X 18 1/2	11 3/4 X 19 3/4
ANDO2421	22 1/4 X 18 1/2	23 5/8 X 19 3/4
ANDO2121	19 1/4 X 18 1/2	20 5/8 X 19 3/4
ANDO18TALL	16 1/4 X 60 1/2	17 5/8 X 61 1/8
ANDO1821	16 1/4 X 18 1/2	17 5/8 X 19 3/4
ANDO1521	13 1/4 X 18 1/2	14 5/8 X 19 3/4
ANDO1221	10 1/4 X 18 1/2	11 5/8 X 19 3/4
ANDO4518	20 3/4 X 16	22 1/8 X 17 1/4
ANDO3918	17 3/4 X 16	19 1/8 X 17 1/4
ANDO3618B	17 1/16 X 16	17 3/4 X 17 1/4
ANDO3318B	15 9/16 X 16	16 1/4 X 17 1/4
ANDO3318	14 3/4 X 16	16 1/8 X 17 1/4
ANDO3018B *	14 1/16 X 16	14 3/4 X 17 1/4
ANDO2718B	12 9/16 X 16	13 1/4 X 17 1/4
ANDO2418B	11 1/16 X 16	11 3/4 X 17 1/4
ANDO2418	22 1/4 X 16	23 5/8 X 17 1/4
ANDO2118	19 1/4 X 16	20 5/8 X 17 1/4
ANDO1818 *	16 1/4 X 16	17 5/8 X 17 1/4
ANDO1518 *	13 1/4 X 16	14 5/8 X 17 1/4
ANDOMTEP1218	10 1/4 X 16	11 3/4 X 17 1/4
ANDO1218	10 1/4 X 16	11 3/4 X 17 1/4
ANDO4515	20 3/4 X 13	22 1/8 X 14 1/4
ANDO3915	17 3/4 X 13	19 1/8 X 14 1/4
ANDO3615B	17 1/16 X 13	17 3/4 X 14 1/4
ANDO3315B	15 9/16 X 13	16 1/4 X 14 1/4
ANDO3315	14 3/4 X 13	16 1/8 X 14 1/4
ANDO3015B	14 1/16 X 13	14 3/4 X 14 1/4
ANDO2715B	12 9/16 X 13	13 1/4 X 14 1/4
ANDO2415B	11 1/16 X 13	11 3/4 X 14 1/4
ANDO2415	22 1/4 X 13	23 5/8 X 14 1/4
ANDO2115	19 1/4 X 13	20 5/8 X 14 1/4
ANDO1815	16 1/4 X 13	17 5/8 X 14 1/4
ANDO15TALL	13 1/4 X 60 1/2	14 5/8 X 61 1/8
ANDO1515	13 1/4 X 13	14 5/8 X 14 1/4
ANDOMTEP12TALL	10 1/4 X 60 1/2	11 3/4 X 61 1/8
ANDO4512	20 3/4 X 10	22 1/8 X 11 1/4
ANDO3912	17 3/4 X 10	19 1/8 X 11 1/4
ANDO3612B	17 1/16 X 10	17 3/4 X 11 1/4
ANDO3312B	15 9/16 X 10	16 1/4 X 11 1/4
ANDO3312	14 3/4 X 10	16 1/8 X 11 1/4
ANDO3012B	14 1/16 X 10	14 3/4 X 11 1/4
ANDO2712B	12 9/16 X 10	13 1/4 X 11 1/4
ANDO2412	22 1/4 X 10	23 5/8 X 11 1/4
ANDO2112	19 1/4 X 10	20 5/8 X 11 1/4
ANDO1812	16 1/4 X 10	17 5/8 X 11 1/4
ANDO1512	13 1/4 X 10	14 5/8 X 11 1/4
ANDOVSB6035-4D	18 5/8 X 21 1/2	20 X 22 3/4
ANDOVSB60-3D	18 5/8 X 18 1/2	20 X 19 3/4
ANDOVCD/VSB60	12 5/8 X 18 1/2	14 X 19 3/4
ANDOSBC60-VCD/VSB6035	12 5/8 X 21 1/2	14 X 22 3/4
ANDOMDEP	19 1/4 X 22 1/2	20 5/8 X 23 3/4

* Available in GD, MG, or PR option



We are America's Cabinetmaker.®

Merillat Cabinets

Merillat® cabinetry makes better use of nature's hardwood, while providing a quality product. The wide range of wood colors and grain variations are natural characteristics of the wood and not a defect.

CABINET FRAMES

3/4" thick, kiln dried, solid hardwood joined with pocket screw joinery construction.

END PANELS

3/8" thick engineered wood is permanently finished on 2 sides with a laminate resistant to water and most household chemicals. End panels are machined to accept tops, bottoms, backs, and corner gussets. Ends are drilled to accept adjustable shelves. Tall cabinet end panels are 1/2" thick.

OPTIONAL PLYWOOD END PANELS & ALL PLYWOOD CONSTRUCTION END PANELS

1/2" thick hardwood veneer exterior finished to match cabinet exterior. Interior is permanently laminated with laminate resistant to water and most household chemicals.

WALL TOPS & BOTTOMS

1/2" thick engineered wood is permanently finished on 2 sides with a laminate resistant to water and most household chemicals.

OPTIONAL ALL PLYWOOD CONSTRUCTION WALL TOPS & BOTTOMS

1/2" thick plywood is permanently finished on 2 sides with a laminate resistant to water and most household chemicals

BASE BOTTOMS

1/2" thick engineered wood is permanently finished on 1 side with a laminate resistant to water and most household chemicals.

OPTIONAL ALL PLYWOOD CONSTRUCTION BASE BOTTOMS

1/2" thick plywood is permanently finished on 1 side with a laminate resistant to water and most household chemicals.

SHELVES

3/4" thick engineered wood is permanently finished on 2 sides for full depth shelves and 1 side for half-depth Base cabinet shelving with a laminate resistant to water and most household chemicals. Front edge is edge banded with melamine banding. Wall and Base cabinets have adjustable shelves supported by adjustable shelf clips.

Half-depth shelves in Base cabinets 39" wide and wider have a matching full-length support apron secured to the underside near the front edge for additional support. Shelves are designed to support 15 lbs. per square foot, not to exceed 50 lbs. per shelf.

OPTIONAL ALL PLYWOOD CONSTRUCTION SHELVES

3/4" thick plywood is permanently finished on 2 sides for full depth shelves and 1 side for half-depth Base cabinet shelving with a laminate resistant to water and most household chemicals. Front edge is edge banded with melamine banding. Wall and Base cabinets have adjustable shelves supported by adjustable shelf clips.

Half-depth shelves in Base cabinets 39" wide and wider have a matching full-length support apron secured to the underside near the front edge for additional support. Shelves are designed to support 15 lbs. per square foot, not to exceed 50 lbs. per shelf.

BOOKCASE SHELVES

3/4" thick engineered wood, permanently laminated two sides to match exterior finish of cabinet. All bookcase units have adjustable shelves. Front edge is edge banded.

OPTIONAL ALL PLYWOOD CONSTRUCTION BOOKCASE SHELVES

3/4" thick plywood, permanently laminated two sides to match exterior finish of cabinet. All bookcase units have adjustable shelves. Front edge is edge banded.

WALL BACKS

3/8" thick engineered wood finished on one side with a laminate resistant to water and household chemicals. Full-length dadoes in back allow tops and bottoms to be captured, stapled and glued.

OPTIONAL ALL PLYWOOD CONSTRUCTION WALL BACKS

3/8" thick plywood finished on one side with a laminate resistant to water and household chemicals. Full-length dadoes in back allow tops and bottoms to be captured, stapled and glued.

BASE BACKS

1/4" thick engineered wood finished on one side with a laminate resistant to water and household chemicals. Extends full-length to floor.

OPTIONAL ALL PLYWOOD CONSTRUCTION BASE BACKS

1/4" thick plywood finished on one side with a laminate resistant to water and household chemicals. Extends full-length to floor.

WALL HANGRAILS

3/8" thick engineered wood full-length across top and bottom secured with staples.

OPTIONAL ALL PLYWOOD CONSTRUCTION WALL HANGRAILS

3/8" thick plywood full-length across top and bottom secured with staples.

BASE HANGRAILS

1 1/16" solid pine or Douglas-fir. Ends are rabbeted to join cabinet ends. Bottom edge is rabbeted to join back.

DRAWER GUIDES

75 pound rated drawer guide system, side mounted, 3/4 extension with self adjusting mounting brackets at rear. Drawer slides are fastened to the drawer box with screws.

DRAWER FRONTS

3/4" solid hardwood on all wood styles. Laminate and substrate on laminate drawer fronts use the same materials as corresponding door style. 5 Piece fronts have 3/4" thick stiles and rails.

OPTIONAL DRAWER BOX

1/2" thick sides, fronts and backs of engineered wood. Top edges are finished with melamine banding. Side surfaces are finished with a laminate resistant to water and most household chemicals. 1/4" thick engineered wood bottom panel is finished on one side with same laminate. Laminate/edgebanding finish is natural woodgrain. Drawer sides are rabbeted to join the drawer box fronts and backs. Each corner is joined with glue and stapled.

Drawers 30" and wider have 3/8" thick bottoms. Standard drawer interior height is 3 5/8"; deep drawers are 6 7/8". Base cabinet interior front-to-back depth is 20 11/16"; Vanity is 17 15/16", and Vanity Space Saver is 14 11/16".

STANDARD DOVETAIL WOOD DRAWER WITH UNDERMOUNT GUIDE SYSTEM

5/8" sides, fronts and backs are solid hardwood. Drawer sides, fronts and backs are joined with half blind dovetail joints.

Nominal 3/16" plywood drawer bottom has laminate surface for easy cleaning. Drawer bottom is joined to the drawer sides, front and back on all 4 sides with a groove.

Hardwood drawer components are finished with clear sealer and topcoat on exposed surfaces. Standard drawer interior height is 2 3/4"; deep drawers are 5 3/4". Base cabinet interior front-to-back depth is 19 13/32"; Vanity is 16 7/16" and Vanity Space Saver is 13 1/2".

Full extension soft close undermount guide system is concealed, self closing and can be adjusted to align the drawer head.

TOEKICK

1/2" thick engineered wood. Toekick extends from floor to bottom of cabinet, closing the toe kick area. Toekick Cover is required and sold separately.

OPTIONAL ALL PLYWOOD CONSTRUCTION TOEKICK

1/2" thick plywood. Toekick extends from floor to bottom of cabinet, closing the toe kick area. Toekick Cover is required and sold separately.

HINGES

Traditional overlay door styles come with fully concealed European style SoftAction hinges that feature 105° opening, 6-way adjustment, and a self closing feature on most doors.

Full overlay door styles come with fully concealed European style SoftAction hinges that feature 107° opening, 6-way adjustment, and a self closing feature on most doors.

Some corner cabinets using concealed hinges will have hinges with wider opening capability for improved access.

MATCHING INTERIORS

Matching interior is standard on Base Microwave Cabinets (BMC), Bookcase Cabinets (BK), Door Storage (DOS), Wall China Display (WCD), Wall Lattice (WL) and Wall Microwave Cabinets (WMS, WMC, WMSC), Vanity Wall Botique (VWB), Wine Storage Cabinet (WSC). Matching Interior (MI) option only available when a glass door (GD, MG, PR) or prepared for insert (PG, PM, PP) option is selected.

Replacement Parts

Fire Resistance

Overlaid engineered wood used for cabinet construction has been tested in accordance with UL standard recognized-ASTM E 162-90-Standard Test Method for Surface Flammability of Materials, using a radiant heat energy source, and HUD Standard 3280.203, .204 and .209.

Formaldehyde Emissions Levels

Formaldehyde emissions comply with requirements of 24 CFR, Part 3280 (August 9, 1984), the HUD rule on Manufactured Home Construction and Safety Standards and 29 CFR Part 1910 (May 27, 1992), the OSHA rule on Occupational Exposure to Formaldehyde.

Formaldehyde emissions for raw engineered wood is restricted to 0.3 parts per million.

In keeping with our policy of continuous refinement, Masco Cabinetry LLC reserves the right to alter specifications and styles without general notice or obligation to make similar changes in products previously manufactured.

Merillat® cabinetry carries the seal of the Kitchen Cabinet Manufacturers Association (KCMA) Certification Program, which assures that our cabinets meet or exceed the rigorous standards set by the American National Standards Institute (ANSI). Our cabinets are also independently tested to ANSI/KCMA A161.1-2000 and paragraph 611-1.1, "HUD Minimum Property Standards-Housing 4910.1" 9-8-86.

Merillat® demonstrates its commitment to environmental sustainability through meeting or exceeding the requirements as outlined in the Environmental Stewardship Program certification, administered by the KCMA.

All Merillat® facilities have also obtained ISO 14001 certificate of approval, demonstrating our commitment to reducing the impact of operations on the environment.



Use and Care

Wood

The fine “furniture” finish of your cabinets is designed for daily usage. All wood and laminate surfaces may be cleaned with a damp, soft cloth moistened with pure soap suds (**not** detergent), then wiped dry with another soft cloth. As with all cabinet surfaces, take a little extra care on bottom edges of cabinets and cabinet doors where invisible moisture often collects.

Note: **DO NOT** use detergents, soap pads, steel wool, or other harsh, abrasive material on your cabinetry.

Polishing Wood

Remove dust from cabinets frequently with a soft lint-free cloth. The cloth may be slightly dampened with water or a spray type dust remover.

Clean spills immediately. Use a clean cloth and mild soap if necessary. Wipe dry with a clean soft cloth.

We recommend that you wash and polish cabinets once or twice a year. Use a light coat of quality furniture polish. Don't use a paste wax; the wax build up is difficult to remove and will leave a residue that attracts dust and moisture. Polishes that contain silicone should **not** be used.

Laminate Door Surfaces

Periodically clean the interior and exterior surfaces of the door using a soft, dampened cloth. Tough stains may be cleaned using a soft cloth dampened with a “409” or “Simple Green” type cleanser.

Mullion Glass Doors

You can use any commercial glass cleaner to clean the glass. While cleaning mounted glass, be careful **not** to damage the finish of the door and cabinet parts. Additionally, the glass can be cleaned while mounted on the door, or can be removed for better access.

To remove the glass panel, carefully remove glass retaining hardware/strip and lift panel out. The door glass is tempered to resist chipping and shattering. However, all glass is fragile, so handle carefully.

When cleaning mounted glass, do **not** spray glass cleaner directly onto glass or cabinet parts. Glass cleaner seeping into areas behind the mullions may discolor the wood. Instead, spray a small amount of cleaner onto a lint-free cloth or paper towel, then wipe the glass clean.

Wire Storage Products

Periodically clean with soft damp cloth. **Note:** Do **not** use detergents, soap pads, steel wool, or other harsh, abrasive material.

Roller Slide Systems

Periodically clean with a soft damp cloth. Ball bearing slides are lubricated with grease from the manufacturer to ensure smooth quiet operation and long life. Avoid removal of this grease during cleaning.

Cookbook Rack

Use only soap and water with soft damp cloth to clean. **Note:** Never use alcohol, window sprays, kitchen scouring compounds or solvents. These can cause damage to the material and/or affect the appearance.

Preventative Care: Self-Cleaning Ovens

Self-cleaning ovens are cleaned through the use of intense heat. If the heat gasket does **not** seal properly, heat may escape from the oven. Cabinet components installed near the oven may suffer finish or surface damage. To minimize the risk of damage during cleaning cycles, we recommend that you open doors and drawers from cabinets that are above and adjacent to a self-cleaning oven.

Preventative Care: Heat-Producing Appliances

We recommend that you do **not** mount heat-producing appliances (such as coffee makers and toaster ovens) beneath cabinets. Excess heat and moisture from these appliances can damage cabinets.

The Beauty Of Natural Wood

The natural hardwoods we use in our product have characteristics that make every cabinet both beautiful and unique. All hardwoods have their own personality, and variation in color, texture, and grain pattern are an inherent part of this natural material.

Natural hardwood variations often include distinctive grain patterns or unusual shadings in color. These reflect the “life history” of the tree and contribute to the unique look of your cabinets.

As with other natural materials, your hardwood cabinets will be affected by environmental factors such as natural and artificial lighting, so you can expect to see the color gradually change and mellow over time.

Your satisfaction is important to us, and we want you to feel as good about buying our cabinets as we do about making them. Be assured only the best materials go into our natural hardwood cabinetry, including those hardwoods that may be considered unique. Because, at Masco Cabinetry LLC, we believe natural distinctive hardwoods are beautiful.

Due to the unique qualities inherent in the natural hardwoods used in this cabinetry, neither Masco Cabinetry LLC, nor your dealer, can be responsible for the actual degree of variation that may characterize your cabinetry purchase.

Warping, Cracking & Proper Humidity

As a natural characteristic, all wood products contain moisture. Changes in temperature and humidity affect the moisture content in wood, which causes wood to expand or contract. Over time, this expansion or contraction can cause warping and joint cracks to occur, potentially causing permanent deformations, in wood cabinetry.

To help prevent excessive movement in your wood cabinetry, we recommend maintaining a controlled environment of 70 degrees to 75 degrees Fahrenheit and 30% to 50% humidity in the areas where your cabinetry is stored or installed. Environmental conditions cannot be controlled by Masco Cabinetry and the effects of movement in wood is not considered to be a manufacturing defect and will not be considered as a reason for replacement.

Notes

CODE	PAGE	CODE	PAGE	CODE	PAGE	CODE	PAGE	CODE	PAGE
1		BCR	E17	DDWP	E22	H		O	
1FT	C11	BD	E5	DEP	H5	HDFS	J6	O	H4
1ST	C11	BDBTK	J9	DFD	H2	HDS	C10	OCO	D20
1WF	C11	BE	A4	DIC	L8	HIN170FRM	L5	OCS	F5
1WT	C11	BEA	E20	DIP	E23	HINBIFOLD	L5	OCSP	F6
2		BEC	E19	DIRS	L9	HINFEM	L5	OCU	F4
2DF	C12	BEP	E34	DKD	H2	HINFOL6WY	L6	ODK	F5
2DT	C12	BEPF	E35	DKDT	H3	HINMCPK	L6	OL	E32
2FT	C11	BF	E30	DM	K6	HINSCFM	L5	OL3	D23, F7, G12
2ST	C11	BFC	E32	DOKN	E27	HINSCFOL6WY	L6	OL6	D23
2WF	C11	BFF	E31	DOKW	E27	HINSCTOL6WY	L6	OSC	K4
2WT	C11	BFOLC	E33	DOS	D14	HINTOL6WY	L6	OSCP	K4
3		BFP	E32	DPK	E26	HINTOST	L6	P	
3ST	C11	BK	D10	DPR	F3	HK	K15, K16	PB	E3-E4, J1-J2
3WT	C11	BLH	A5	DSB	E11	HP	K17, K18	PBBC	E15, E16
4		BLS	E16	DSR	D18	HSD	E22	PC	F3
4DT	C12	BMC	E21	DSTK	L9	HTK	L10	PCSK	J5
4ST	C11	BOCU	E21	DWP	E22	I		PDDO	E28
4WT	C11	BPO	E6	E		ICM	K4	PFT	K12
6		BPP	E4	EB	L9	ICPM	K4	PG	C13
6DT	C12	BPPS	E4	F		K		PLB	K12
6ST	C11	BSD	E3	FA3	D22, E31, G12	KSCCK	E26	PM	C13
6WT	C11	BSOS	E25	FBRK	E28	L		PP	C13
A		BTK	J8	FDS	C10	LBL	A10	PRT	A12
ABF	A2	BWBFBMK	E24	FEP	F9	LKDVUMFESAGDEHDL	L3	PSP	K12
ACCESSDFAVB	L16	BWBTK	E24	FFA3	D22, E31, G13	LKDVUMFESAGDEHDR	L3	PW	D3-D4
ACCESSDFAW	L16	C		FLS	D18	LKDVUMFESAGDEL	L3	PWA	D8
ACM	K5	CCK	L13	FS	J5, L13	LKDVUMFESAGDEL	L3	PWBC	D7
ADO	L12, L13	CCM	K6	FSN	A8	LKDVUMFESAGDER	L3	Q	
AGTD	D15	CCPC	L13	FXR	A7	LM	K7	QCST	L14
AGTS	D15	CDC	L13	G		LNE	A11	QGL	L14
ANC	K13	CDI	E26	GD	C13	LS1	D18	QP	L14
ANFT	K13	CFB	K7	GDEFESMBB	L2	LS3	D19	QR	K8
ANLB	K13	CFO	C14	GDEFESMBBIL	L2	LSTR	K10	QST	L14
AOSC	K4	CGPB	J3	GDEFESMBBIR	L2	M		R	
AVE	A3	CM	K6	GDEFESMBBO	L2	MBEP	E35	RAAUMFESAGDEHDSSET	L5
B		CR	K4	GDESM	L1	MC	G10	RAL	A13
B	E1, E2, E3	CRPD	D19	GDESMIL	L1	MCW	D4	RBS	J7
BACKPLUG2H	L9	CSB	A6	GDESMIR	L1	MDEP	H5	RCM	K8
BAR	E19	CSO	C14	GDESMOL	L1	MG	C13	REP	F6
BB	E33	CTD	K5	GDESMOR	L1	MI	C14	RHB	D17
BBC	E15	CTSB	K1	GDESMPB	L1	MM	K7	RHF	D16
BC	E33	CVC	K14	GDEUMFESA	L2	MMHF	D16	RM	K8
BCA	E18	CVFT	K184	GDEUMFESAHD	L3	MTEP	F10	RMBFESMBBGDE	L4
BCD	E5	CVLM	K5	GDEUMFESAL	L3	MVEP	G13	RMBSMGDE	L3
BCF	E33	CVLR	K5	GDEUMFESAPB	L2	MWEP	D25	RMBSMGDEPB	L4
BCFS	E18	CVXLM	K5	GDEUMFESAR	L3	N		RMBUMFESAGDE	L4
D		D		GNA	A9	NBM	K7		
DDO	H1	DDO	H1						
DDR	H1	DDR	H1						

CODE	PAGE	CODE	PAGE	CODE	PAGE	CODE	PAGE	CODE	PAGE
RMBUMFESAGDEDKDSET	L4	TF	F7, G11						
RMBUMFESAGDEPB	L4	TFB	K7	W					
ROT	J11	TFF	F7, G12	W	D1-D2				
RSF	E13	TKBK	E30	WA	D7				
RSP	K13	TKCL	E34, F8, G13, H4	WB3	D24				
RTS	J7	TKCUL	I5	WB6	D24				
RVS	J7	TKCUV	I5	WBC	D6				
RWN	A14	TKCV	E34, F8, G13, H4	WCA	D9				
RWS	J7	TLN	A19	WCD	D11				
		TP	L14	WCF6	D24				
S		TSCP	L14	WEC	D9				
SADO	L10	TSCT	L14	WEP	D25				
SALDO	L16	TUK	L14	WEZR	D8				
SB	E7, E8, E9, E10	TVMC	G10	WF1	D21				
SBA	E12			WF2	D21				
SBP	K9	U		WF3	D21				
SBT	K10	U	F1, F2	WF6	D21				
SCM	K6	UAP	J2	WFC3	D22				
SCV	K8	UB	I1, I2	WFF3	D21				
SDIK	E28	UBCR	I3	WFP3	D23				
SDO	D20	UBD	I2	WFP6	D23				
SF	E10, E11	UBLS	I3	WHB	A20, D17				
SFA	E12	UBSF	I4	WHCC	D16				
SFB	E25	UBT	I2	WHL	D17				
SFDB	E25	UCM	K11	WL	D11				
SGH	D19	UCS	D19	WMC	D14				
SHCLP	L7	UCSC	D20	WMS	D13				
SHCLPLK	L7	UF	F2	WMSC	D13				
SHO	K9	URSF	I4	WNC	K14				
SHSUPBPK	L7	USFCK	I4	WR	D3				
SHSUPC	L7	USK	J5	WSC	D12				
SHSUPPK	L7	UST	E30	WSM	K9				
SHSUPPKMGD	L8	UTK	E29	WTDK	E29				
SLDO	L16			WTDRO	E29				
SM	K9	V							
SMH	A16	V	K1, K2						
SNR	A15	VB	G1, G2, G3						
SP	K13	VCD	G5, G6						
SPM	K9	VD	G7						
SPR	F3	VDTK	J12						
STB	E29, J6	VDTKS	J12						
STC	A18	VF	G11						
STR	K10	VFF	G12						
SVL	A17	VGP	J3						
SWEOS	D10	VHRO	G11						
SWS	K10	VLC	G7, G8						
		VLSK	J5						
T		VNTCLPPK	L8						
TB	E28	VSB	G3, G4						
TBE	K10	VTK	J10						
TBP	K11	VTKS	J10						
TBV	J6								
		VW	G9						
TEP	F8	VWB	G8, G9						
TEPF	F9								



We are America's Cabinetmaker.®

Masco Cabinetry LLC 25 Year Limited Warranty.

Masco Cabinetry LLC warrants to the original consumer purchaser that our Merillat Classic® cabinetry will be free from defects in material and workmanship under normal use for a period of TWENTY-FIVE (25) YEARS from date of purchase. This warranty is not transferable. No changes or modifications can be made to this warranty except by an officer of Masco Cabinetry LLC.

Masco Cabinetry LLC may elect to repair or replace any defective Merillat Classic® product covered by our warranty. THIS WARRANTY DOES NOT COVER:

- The natural aging or darkening of wood color, or the inherent growth characteristics of, or variation, in wood.
- Defects caused by misuse, abuse, negligence, alterations, environmental conditions, improper installation, storage or handling.

As with other natural materials, wood is affected by environmental factors such as natural and artificial lighting. Darkening or mellowing of the wood can be expected and is a natural process of wood as it ages. Each wood species also exhibits its own distinctive patterns and characteristics that add to its natural beauty. These variations in color and characteristics are not considered imperfections or defects.

Masco Cabinetry LLC further provides a Lifetime Limited Warranty on the door hinges and drawer guides to the original consumer purchaser for as long as you own the product. This Lifetime Limited Warranty provides that the door hinges and drawer glides will be free from defects in material and workmanship under normal use. Replacement hinges and drawer glides are subject to their availability from our suppliers.

From time to time, we will change design, specifications and materials as conditions require and improvements are developed, but we have no obligation to incorporate such changes in products we previously manufactured.

TO THE MAXIMUM EXTENT PERMITTED BY APPLICABLE LAW, THIS WARRANTY DOES NOT COVER INDIRECT, SPECIAL, INCIDENTAL, OR CONSEQUENTIAL DAMAGES, LOSS OF USE, OR LABOR EXPENSES IN UNINSTALLING OR INSTALLING ANY MATERIAL OR PARTS, WHETHER ARISING OUT OF BREACH OF WARRANTY, BREACH OF CONTRACT, NEGLIGENCE, TORT, OR ANY OTHER LEGAL THEORY, EVEN IF MASCO CABINETRY LLC HAS BEEN ADVISED OF THE POSSIBILITY THEREOF. MASCO CABINETRY LLC DISCLAIMS RESPONSIBILITY FOR DAMAGES IN EXCESS OF YOUR PURCHASE PRICE. Some provinces and some states do not allow the exclusion or limitation of incidental or consequential damages, so the above limitation or exclusion may not apply to you.

This warranty is only valid in the United States of America and Canada. This warranty gives you specific legal rights, and you may also have other rights which vary from state to state and from province to province.

To obtain performance under this warranty, you must contact your Merillat Classic® supplier and report, in writing, all defects claimed and provide your original sales receipt or other documentation acceptable to Masco Cabinetry LLC. If you have difficulty obtaining assistance, write to: Merillat Classic® Warranty Department, Masco Cabinetry LLC, 15535 South State Ave. Middlefield, Ohio 44062 USA.

For cabinetry purchased on or after January 5, 2009



We are America's Cabinetmaker.®

MERILLAT.COM

