

**Würth Baer Supply**

# WOODWORKING MACHINE SOLUTIONS

 **WÜRTH**

# 70

QUALITY  
since 1945

**WORK SMARTER - NOT HARDER**

**With High Technology Machinery  
That Delivers Top Quality Results**



## CONTENTS

### SCM North America Machinery

Pratix S15 B CNC Router.....	3
Pratix N15 CNC Router.....	4
ME 25 Single Phase Edgebander.....	5
Olimpic K230B Edgebander.....	6
Olimpic K360ERT1 Edgebander.....	7
Olimpic K560ERT Edgebander.....	8
Olimpic K600ERT Edgebander.....	9
SI 400 Nova Sliding Table Saw.....	10
S 315 Elite S Sliding Table Saw.....	11
SC 4 Elite Circular Sliding Table Saw.....	12
CU300 Classic Combination Machine.....	13
Advance 21 Boring Machine.....	14
S400P 16" Bandsaw.....	15
S600P 24" Bandsaw.....	16
T 45 W Classic Shaper.....	17
TF130 Class Shaper.....	18
F520 Nova Jointer.....	19
S630 Class (S) Heavy Duty Planer.....	20
FS30 Classic Combo Jointer & Planer.....	21
Sandya 1/S CS 95 Plus Wide Belt Sander.....	22
Sandya S300 RCS 110 Two Head Wide Belt Sander.....	23

### SawStop

10" Jobsite Saw 1.50 HP.....	26
10" Contractor Saw 1.75 HP.....	27
10" Professional Cabinet Saw 1.75 HP.....	28
10" Professional Cabinet Saw 3.0 HP.....	29
What's The Difference?.....	30
10" Industrial Cabinet Saw 3, 5 or 7.5 HP.....	31

## WORK SMARTER - NOT HARDER

### With High Technology Machinery That Delivers Top Quality Results

Würth Baer Supply has partnered with SCM North America and SawStop to provide woodworking solutions to meet your customer's specific requirements for capacity and durability, with certified quality standards and the latest advances in woodworking technology.

SCM offers one of the largest ranges of the best industrial woodworking machinery available in the industry. Whether you are small shop or a large corporation, build kitchen cabinets or architectural millwork, focus is on your individual production requirements to make sure we provide the best solution possible.

In addition to distributing the most innovative woodworking machines, we provide exceptional before and after-sales support including training, parts availability and technical service. Our product experts are available to answer your questions about the industry's most cutting-edge technology.

**Please contact your local Würth Baer Supply Machinery Specialist listed below for more information on machinery and financing options.**

#### Harold Crisman

Würth Baer Supply  
Machinery Specialist

Michigan, New Jersey, New York, Ohio, Pennsylvania

C: (810) 280-9747

F: (800) 791-4593

hcrisman@wurthbaersupply.com

#### Larry Ogryzek

Würth Baer Supply  
Machinery Specialist

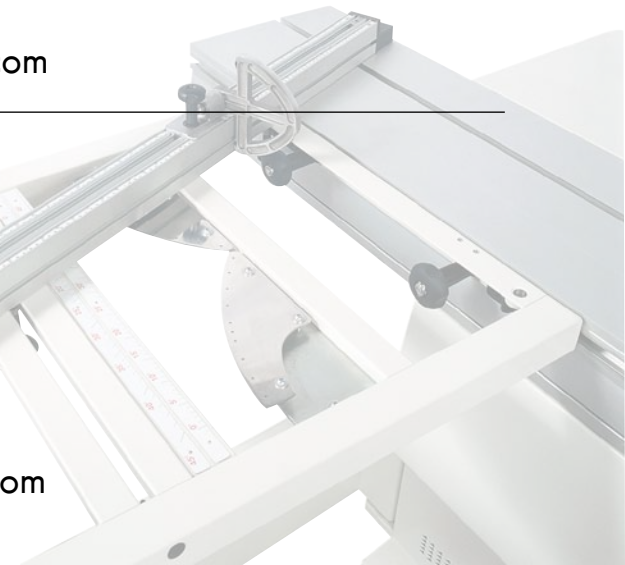
Illinois, Kentucky, Wisconsin

C: (847) 404-4726

F: (800) 791-4240

logryzek@wurthbaersupply.com

# FINANCING AVAILABLE!



## Pratix S15 B 5' x 12' CNC Router



### Major Features:

- Closed Gantry Frame
- Rack N Pinion X & Y Axis
- Aluminum Table
- 9 HP Router (S6)
- Aggregate Pin
- Air Blowers for Router
- 10 Position Side Tool Changer
- 7 Spindle Drill Head
- Drilling Unit controlled by Inverter
- Touch Probe
- Office PC w/ Xilog Plus Operating Software
- 7" Touch Screen Remote Pendant
- Alpha CAM Essential CAD CAM
- Bumper Safety System
- Dual Vacuum
- A & D Reference Pins

### Options

- + Version - Additional 300 m3/hr Vacuum Pump & Air Conditioned Cabinet
- Rake & Conveyor Belt
- Horizontal Drills and Grooving Saw 1+1 in X & 1+1 in Y ( Grooving Saw X Axis)
- Vacuum Cups
- A Model - No Drilling Unit
- Front Pins
- Full Nesting Cell
- 13 HP Router + 12 Vertical Drill Unit

Primary Specifications	
Working Area	145" x 61"
Max. Speeds, Vectorial - X/Y	35 m/min
Electrospindle	9HP HSK (S6)
Automatic Tool Changer	10 position
Drilling Head	7 vertical drills
Vacuum Pump	(1) 300 m3/hr
Dust Collection	3000 CFM, 250 mm
Autotransformer	208/230/460 volt

## Pratix N15 C Preset 5' x 12' CNC Router



### Major Features:

- Closed Gantry Frame
- Aluminum Table
- I - Zone
- Central Dust Collection
- 16.5 HP Router (S6)
- Air Blowers for Router
- 20 Position Rear Tool Changer
- 12 Spindle Drill Head
- Touch Probe
- Spoilboard Measuring Device
- Office PC w/ Xilog Plus Operating Software
- Air Conditioned Cabinet
- Remote Pendant
- Alpha CAM Essential CAD CAM
- Auto Lube
- Photo Cell Safety System with Fence
- Dual Vacuum Zones
- 8 Selectable Vacuum Areas
- Preset for complete Nesting Cell

### Options:

- Screw Lift Table
- Vacuum Loading System
- Rake Off Loading System
- Belt Conveyor
- Full Nesting Cell
- Additional 300 m3/hr Vacuum Pump
- C Axis



Primary Specifications	
Working Area	144" x 61"
Max. Speeds, - X Axis	70 m/min
Electrospindle	16.5HP HSK (S6)
Automatic Tool Changer	20 position
Drilling Head	12 vertical drills (7+5)
Vacuum Pump	(1) 300 m3/hr
Dust Collection	3000 CFM, 200mm
Autotransformer	208/230/460 volt

## ME 25 Edgebander, Single-Phase

### Standard Equipment:

- Control panel on machine infeed side
- Machine frame made of high rigidity ribbed steel to guarantee an excellent support for the operating units
- Top thick steel pressure beam with rubber coated wheels
- Exclusive feed track
- Manual adjustment of top beam with automatic positioning of the operating units according to the selected panel thickness
- Numeric indicator of the selected panel thickness
- Glue smoke-specific exhaust outlet; centralized extraction of the other dusts
- Panel support roller which can be extended on the entire length of the machine
- Safety enclosure
- Electrical cabinet with PLC, padlockable main switch and overload protection
- Emergency push buttons
- Scraping Unit (Cutter Radius 3mm)
- Buffing Unit (Two independent motors - 3000rpm)
- Kit to process 5mm strips
- Adjustable infeed fence with numeric readout
- Automatic lowering of the glue pot temperature after temporary non-usage



Technical Specifications	
Working Table Height	904 mm (35.6")
Working Table Dimensions	2600 x 530 mm (102.4" x 20.9")
Min./Max. Panel Height	12 - 50 mm (0.5" - 1.97")
Min./Max. Panel Height Using Edge Scraping Unit	16 - 50 mm (0.63" - 1.97")
Thickness Of Rolled Banding	0.4 - 3 mm (.016" - 0.12")
Max Thickness Of Banding In Strips	5 mm (0.20")
Min. Panel Width With Rolled Banding	65 mm (2.6")
Min. Panel Length With Rolled Banding	190 mm (7.48")
Min. Panel Length Cut Only On The Front	120 mm (4.7")
Feed Speed	7 m/min (23 ft/min)
Widia Cutters (Trimming Unit)	Ø mm Z4
End Cutting Blade	Ø 9mm Z20
Pneumatic Operating Pressure	6.5 bar
Exhaust Outlet Diameter	120 mm
Operating Temperature	20 - 190 °C
Machine Weight	926 lbs

## Olimpic K230B Single Sided Edgebander, Single-Phase



<b>Technical Specifications</b>	
Feed Motor Horsepower	1 HP
Feed Speed	30 FPM
Frequency Converter	200 Hz
Dust Hood Diameter	2 @ 2" and 1 @ 3"
Pneumatic Operating Pressure	90 PSI
<b>Glue Pot Unit:</b>	
Glue Pot Unit Heating Time	8-10 min.
Glue Pot Unit Capacity	2.2 lbs.
<b>End Cutting Trimming Station:</b>	
End Cutting Trimming Station Horsepower	.50 HP
End Cutting Trimming Station RPM / Tilt	12,000 RPM / 0-15 degrees
<b>Edge Trimming Unit:</b>	
Edge Trimming Unit Horsepower	.70 HP
Edge Trimming Unit RPM	12,000 RPM
Edge Trimming Unit Tilting	Combination Cutters
<b>Buffing Unit:</b>	
Buffing Unit Horsepower	.25 HP
Buffing Unit RPM	3,000 RPM
Buffing Unit Diameter/Bore	152mm/17mm

### Standard Features:

- 3mm Capacity and 30 FPM Feed Speed
- Orion 1 Plus Controller with Soft Touch Keypad
- Adjustable Side Support
- Automatic Strip Magazine
- Heavy Duty Guillotine with 3mm Capacity
- Two Motor End Trim Unit with THK Guides
- End Trim Unit with Round K Feature and Pneumatic Positioning
- Top and Bottom Trim with 3 Position Combination Cutter
- Open station to add a Profile Scrape Station in the future
- Buffing Unit

### Capacities & Speed:

Edgebanding thickness: .4mm - 3mm (.016-1/8")

Guillotine capacity: 3.0mm

Feed speed: 30 ft/min.

Panel height: 3/8" min - 1-15/16" max

Minimum panel length: 5-1/2"

Minimum panel width: 2-3/8"

Minimum distance between panels: 22"

## Olimpic K 360ERT1 Single Sided Edgebander, 3-Phase



Technical Specifications	
Feed Motor Horsepower	2 HP
Feed Speed	36 FPM
Frequency Converter	200 Hz
Pneumatic Operating Pressure	90 PSI
Glue Pot Unit Heating Time	Approx. 8-10 min.
Glue Pot Unit Glue Capacity	2.2 lbs.
Pre-Milling Unit Horsepower	2.0 HP (2)
Pre-Milling Unit RPM	19,000 RPM
Pre-Milling Unit Max. Stock Removal	Adjustable
End Cutting Trimming Station Horsepower	.25 HP (2)
End Cutting Trimming Station RPM	12,000 RPM
End Cutting Trimming Station Tilting	2 preset positions
Edge Trimming Unit Horsepower	.70 HP (2)
Edge Trimming Unit RPM	12,000 RPM
Edge Trimming Unit Tilting	0-25 degrees
Edge Trimming Unit Cutting Tools	Straight, 3mm radius cutters
Corner Rounding Unit Horsepower	.50 HP (1)
Corner Rounding Unit RPM	12,000 RPM
Corner Rounding Unit Cutting Tool	3mm Radius, Diamond Cutter
Scraping Unit Knife Radius	3mm
Buffing Unit Horsepower	.25 HP (2)
Buffing Unit RPM	2,800 RPM
Buffing Unit Diameter/Bore	152mm/17mm

### Standard Features:

- 6mm Capacity and 36 FPM Feed Speed
- Orion 1 Plus Controller
- Two Motor Pre-Mill Unit with Diamond Cutters
- Automatic Strip Magazine
- Two Motor End Trim Unit Mounted to THK Guides
- End Trim Unit with Round K Feature and Pneumatic Positioning
- Top and Bottom Trim Unit with Three Position Pneumatics
- Single Motor Corner Rounding Unit with Diamond Tooling and Two Position Pneumatics
- Profile Scrape Station with Pneumatic Positioning and Collection Bin
- Glue Scraper with Pneumatic Positioning
- Buffing Unit

### Capacities & Speed:

Edgebanding thickness: .4mm - 6mm (.016-1/4")

Guillotine capacity: 3mm

Feed speed: 36 ft/min.

Panel height: 3/8" min - 2-1/2" max

Minimum panel length: 5-1/2"

Minimum panel width: 2-3/8"

Minimum distance between panels: 20"

## Olimpic K 560ERT Single Sided Edgebander, 3-Phase



Technical Specifications	
Feed Motor Horsepower	2 HP
Feed Speed	40/60 FPM
Frequency Converter	200 Hz
Pneumatic Operating Pressure	90 PSI
Glue Pot Unit Heating Time	Approx. 8-10 min.
Glue Pot Unit Glue Capacity	5.5 lbs.
Pre-Milling Unit Horsepower	2.0 HP (2)
Pre-Milling Unit RPM	19,000 RPM
Pre-Milling Unit Height	49mm
Pre-Milling Unit Max. Stock Removal	Adjustable
End Cutting Trimming Station Horsepower	.25 HP (2)
End Cutting Trimming Station RPM	12,000 RPM
End Cutting Trimming Station Tilting	2 preset positions
Edge Trimming Unit Horsepower	.70 HP (2)
Edge Trimming Unit RPM	12,000 RPM
Edge Trimming Unit Cutting Tools	Combination Cutters
Corner Rounding Unit Horsepower	.50 HP (2)
Corner Rounding Unit RPM	12,000 RPM
Corner Rounding Unit Cutting Tool	3mm Radius
Scraping Unit Knife Radius	3mm
Buffing Unit Horsepower	.25 HP (2)
Buffing Unit RPM	2,800 RPM
Buffing Unit Diameter/Bore	152mm/17mm

### Standard Features:

- 6mm Capacity and 40/60 FPM Feed Speed
- 7" Color Touchscreen Controller - Touch 7
- Stores 60 Programs, Provides Production/Maintenance/Diagnostic Information
- Quick Change/Disconnect Glue Pot
- Two Motor End Trim Unit on THK Guides with Pneumatic Tilt
- Top and Bottom Trim Unit with Three Position Pneumatics
- Two Motor Corner Rounding Unit with ED Tooling
- Corner Rounding Unit with THK Guides and Dust Extraction
- Corner Rounding Unit can Process Panel at 60FPM
- Profile Scrape with Pneumatic Positioning and Collection Bin
- Glue Scrape with Pneumatic Positioning and Collection Bin
- Buffing Unit

### Capacities & Speed:

Edgebanding thickness: .4mm - 6mm (.016-1/4")

Guillotine capacity: 3mm

Feed speed: 40/60 ft/min.

Panel height: 3/8" min - 2-1/8" max

Minimum panel length: 5-1/2"

Minimum panel width: 2-3/8"

Minimum distance between panels: 20"



## Olimpic K 600ERT Single Sided Edgebander, 3-Phase



Technical Specifications	
Feed Motor Horsepower	2.5 HP
Feed Speed	36/52 FPM (Corner Rounding 36fpm)
Frequency Converter	200 Hz
Pneumatic Operating Pressure	90 PSI
Glue Pot Unit Heating Time	Approx. 8-10 min.
Glue Pot Unit Glue Capacity	3.3 lbs.
Pre-Milling Unit Horsepower	3.0 HP ea.
Pre-Milling Unit RPM	12,000 RPM
Pre-Milling Unit Max. Stock Removal	60mm <sup>2</sup>
Pre-Milling Unit Diameter/Bore/Height	100mm/30mm/49mm
End Cutting Trimming Station Horsepower	.50 HP ea.
End Cutting Trimming Station RPM	12,000 RPM
End Cutting Trimming Station Tilting	0-15 degrees
End Cutting Trimming Station Blade Diameter/Bore	100mm/32mm
Tiltable Edge Trimming Unit Horsepower	1.0 HP ea.
Tiltable Edge Trimming Unit RPM	12,000 RPM
Tiltable Edge Trimming Unit Tilting	0-15 degrees
Tiltable Edge Trimming Unit Cutting Tools	70x20x16mm - 3mm radius knives
Corner Rounding Unit Horsepower	.80 HP ea.
Corner Rounding Unit RPM	12,000 RPM
Corner Rounding Unit Cutting Tool	3mm ED
Scraping Unit Knife Radius	3mm inserts
Buffing Unit Horsepower	.25 HP
Buffing Unit RPM	3,000 RPM
Buffing Unit Diameter/Bore	152mm/17mm

### Standard Features:

- 8mm Capacity and 40/60 FPM Feed Speed
- 12" Color Touchscreen Controller - Startouch
- Stores 100 Programs, Provides Production/Maintenance/Diagnostic Information
- Quick Change/Disconnect Glue Pot
- Anti-Adhesive Unit
- Two Motor End Trim Unit on THK Guides with Pneumatic Tilt
- Top and Bottom Trim Unit, Tilttable Pneumatic Positioning
- Two Motor Corner Rounding Unit with ED Tooling
- Corner Rounding Unit with THK Guides and Dust Extraction
- Corner Rounding Unit can Process Panel at 60FPM
- Profile Scrape with Pneumatic Positioning and Collection Bin
- Buffing Unit

### Capacities & Speed:

Edgebanding thickness: .4mm - 8mm (.016-5/16")

Guillotine capacity: 3mm

Feed speed: 36/52 ft/min.

Panel height: 3/8" min - 2-3/8" max

Minimum panel length: 5-1/2"

Minimum panel width: 2"

Minimum distance between panels: 24"

## SI 400 Nova Sliding Table Saw, 3-Phase



### Major Features:

- Anodized aluminum sliding table with hardened steel guides
- Self Braking Motor
- Separate 1 hp scoring motor
- Tilting arbor from 0 to 45 degrees
- Mechanical tilt indicator
- External scoring saw adjustment with stops
- Slider locks anywhere to the right of the blade
- Overhead mounted blade guard with dust outlet
- Heavy industrial aluminum extrusion crosscut fence with flip stops
- "EZ Dial" Adjustable split scoring blade assembly
- Standard 1 year warranty (10 years on table guideway tolerances)
- Separate hand wheels on front for lifting and tilt of blade
- Eccentric Clamp
- Electrical control panel tilted 25 degrees for ergonomics

Technical Specifications	
Main Motor Horsepower	9 HP
Scoring Motor Horsepower	1 HP
Fixed Table Size	41" x 25"
Height Of Worktable	34.5"
Rip Capacity	1270mm (51")
Max. Length Of Crosscut With Scoring	3200mm (126")
Main Blade Diameter/Arbor	400mm/1"
Scoring Blade Diameter/ Arbor	120mm/3/4"
Arbor Speed - Main/Scoring	4,000/8,500 RPM
Dust Outlets - Main/Overarm Guard	120mm/80mm (5"/3.25")
Depth Of Cut - 0 Degrees/45 Degrees	140mm/97mm (5.5"/3.8")
Net Weight	1000kg (2,200 lbs)
Electrical Requirements	36 amps @ 230 volts, 3phase
Dust Extraction	1100 CFM

## S 315 Elite S 12" Sliding Table Saw, Single-Phase



### Standard Equipment:

- Double-hung cast iron trunnion
- **Top Quality Leeson Motor**
- Aluminum table and rail with hardened steel guide-ways
- European rip fence with cam-lock, micro-adjustable
- Telescoping crosscut fence with two adjustable flip stops
- Eccentric panel clamp
- Telescoping miter gauge with fence and support panel
- 2-Position sliding table lock
- Dial indicator for saw blade tilt angle
- Table extension on saw out-feed
- External scoring adjustments
- 3/4" dado capacity
- Telescoping support arm for crosscut support table
- Tool set & operator's manual
- CSA-rated electrical components



Technical Specifications	
Sliding Table Size	12.5" x 126"
Fixed Table Size	33" x 25"
Table Height	34"
Max. Cutting Width With Rip Fence	50"
Sliding Table Stroke With Scoring	126"
Main Blade Max Diameter/Arbor	12"/1"
Scoring Blade Size/Arbor	120mm/20mm
Main Blade Speed	4,000 RPM
Scoring Blade Speed	8,000 RPM
Weight	1,875 lbs

## SC 4 Elite 12" Circular Sliding Table Saw, Single-Phase



### Standard Equipment:

- Solid cast iron saw unit with double support trunions
- Aluminum sliding table and rail with hardened steel guide-ways
- European-style rip fence with cam lock, micro-adjustable
- Round steel guide bar for rip fence
- Telescoping crosscut fence with two adjustable flip stops
- Eccentric panel clamp
- 2-position sliding table lock
- Table extension on saw out-feed
- Scoring blade (Adjusted Independently of Main Blade)
- 3/4" dado capacity
- Tool set & manual
- CSA-rated electrical components, including cables



Technical Specifications	
Sliding Table Size	11.4" x 106"
Fixed Table Size	33" x 22"
Table Height	35"
Max Cutting With Rip Fence	50"
Sliding Table Stroke With Scoring	106"
Main Blade Arbor Size	5/8"
Scoring Blade Diameter/Arbor Size	100mm/20mm
Main Blade Speed	4,000 rpm
Scoring Blade Speed	8,000 rpm



## CU300 Classic 5 Function Combination Machine, Single-Phase



### Standard Equipment:

- Three independent 4.8HP (single-phase X 230v) motors
- 3/4" Dado capacity
- Independently adjustable scoring blade
- External Scoring Adjustments
- 5.5' Sliding table with outrigger and swing-arm (8.5' table also available)
- Interchangeable shaper spindle & Micro-adjustable shaper fence
- Cast iron horizontal mortiser w/ self-centering Wescott Chuck
- Miter fence and eccentric hold-down clamp
- Three-knife "Tersa" quick-change cutterhead
- Separate Jointer Fence
- Outrigger
- Mobility kit
- Comes standard with Cast-Iron Mortiser
- Mortiser has fluid vertical and horizontal movement with positive stops
- Mortiser has separate post supplied to mount the eccentric clamp to secure material
- Wescott Self-Centering chuck included



<b>Jointer Specs:</b>	
Working Width	12"
Overall Table Length	59.75"
Cutterhead Speed	5,200 rpm
Maximum Depth Of Cut	0.125"
Fence Size/Tilt	6"x 51" / 0-45°
<b>Planer Specs:</b>	
Table Size	12" x 22.25"
Maximum Working Thickness	9.0"
Minimum Working Thickness	0.125"
Maximum Stock Removal	1/8"
Feed Speed	23 fpm

<b>Table Saw Specs:</b>	
Max. Blade Dia. W/ Scoring Blade In Place	12.4"(315mm)
Scoring Blade Diameter	80mm X 20mm
Maximum Depth Of Cut	3.75"
Rip Capacity	32"
<b>Shaper Specs:</b>	
Spindle Size	1.25"
Capacity, Under-The-Nut	3.5"
Spindle Speeds (Rpm)	1700/4000/7000/9000
Max. Tooling Dia.: Shaping /Tenoning	8.25" / 10.5625"

## Advance 21 Single-Phase 21-Spindle Line Boring Machine

### Major Features:

- Aluminum metric fence with reversible stops.
- 45° mitre fence.
- 2 x Pneumatic Hold Down Clamps
- 21 Quick Change Chucks
- 45° positive lock on boring unit
- Rear Stops for maximum horizontal and vertical boring precision
- Adjustable Lateral Stops
- Mechanical jig for lateral fence positioning
- Dust extraction system integrated into the boring head.



Technical Specifications	
Spindle Spacing (Center-To-Center)	32mm
Worktable Size	905mm x 360mm
Worktable Height	900mm
Maximum Bore, Center-To-Center	640mm
Maximum Horizontal Boring Height	60mm
Maximum Boring Depth	60mm
Spindle Speed	2,800rpm
Panel Thickness	10mm-86mm
Boring Unit Maximum Stroke	80mm
Maximum Panel Width Under Gantry	833mm
Motor Power	1.5kW (1 phase, 230 volt)
Pneumatic Equipment Operating Pressure	6 BAR
Net Weight	618 lbs
Dust Pipe Diameter	60mm

## S400P 16" Bandsaw, Single-Phase

### Standard Features:

- Triple-boxed-beam spine and neck, 5mm formed steel
- Magnetic starter with overload protection
- 0.5" thick cast-iron wheels, internally balanced
- Quick-change tongue-and-groove tires
- Quick-tilting table with single-handle adjust feature
- Cast iron fence, fully adjustable for drift
- 0.75" by 0.375" miter slot
- Upper and lower doors open independently
- "Soft-touch" foot brake with adjustable magnetic stop switch
- Upper and lower Euro guides
- Universal mount accepts most aftermarket guide systems
- 1.25" steel guidepost with chain-and-sprocket raising/lowering
- Cast iron through-block knuckle for guidepost support
- Tool set & owner's manual

Technical Specifications	
Table Size	17.75" X 24.5"
Table Height	35"
Table Tilting	-10/ +45°
Blade Speed	3800 FPM
Maximum Blade Width	1/8"-1&1/4"
Maximum Cutting Height	16"
Maximum Cutting Width	15"
Blade Length	154"
Overall Dimensions	76.5"H x 31"L x 30"W
Shipping Weight (Lbs.)	651
Net Weight (Lbs.)	535



## S600P 24" Bandsaw, Single-Phase & 3-Phase Available

### Standard Features:

- Triple-boxed-beam spine and neck, 3/16" formed steel
- Magnetic starter with overload protection
- 0.5" thick cast-iron wheels, internally balanced
- Quick-change tongue-and-groove tires
- Cast iron table with quick tilting to +45°
- Cast iron fence, fully adjustable for drift
- 0.75" x 0.375" Miter slot
- Upper and lower doors open independently
- Individual safety micro-switches at upper and lower doors
- "Soft-touch" foot brake with adjustable magnetic stop switch
- Upper and lower Euro guides
- Universal mount, accepts most guide systems
- 1.25" steel guidepost with chain-and-sprocket raising/lowering
- Cast iron through-block for guidepost support
- Telescopic blade guard
- Tool set & owner's manual

Technical Specifications	
Table Size	23" X 32"
Table Height	35.5"
Table Tilt	+45 degrees
Blade Speed	5,000 fpm
Blade Capacity	0.25"-1.50"
Suggested Blade Length	196"
Maximum Cutting Height	24"
Maximum Cutting Width	23.25"
Machine Weight (Shipping)	1053 lbs.
Machine Weight (Net)	955 lbs.





## T 45 W Classic Shaper, Single-Phase, 4.8 Horsepower

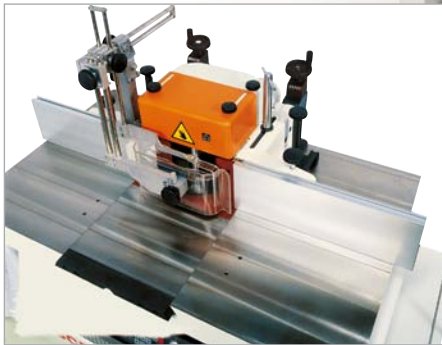
### Standard Features:

- Forward/ reverse-run switch
- T-Slot in Table
- Micro-adjustable infeed and outfeed fences
- 1.25" interchangeable spindle standard
- Quick spindle lock for tool changes
- Dual exhaust outlets
- Tool set and manual included



Technical Specifications	
Capacity Under The Nut, Interchangeable Spindle Version	3.75"
Maximum Spindle Projection Above Table	5.0"
Maximum Tool Diameter Lowering Under Table	7.0"
Maximum Tool Height Retractable Under Table	2.0"
Main Table Dimensions	39" X 22"
Table Height	34"
Spindle Speeds (RPM)	3,500 6,000 8,000 10,000
Net Weight	500 lbs.
Shipping Weight	570 lbs.

## TF130 Class Shaper, 3-Phase



### Major Features:

- 1-1/4 Inch interchangeable spindle
- 5 Spindle speeds from 3,000 to 10,000 rpm
- Reverse rotation switch
- 5 Table insert rings
- "T" Slot in Table with Mitre Gauge
- Mechanical readout of spindle height
- Foot Pedal Controls for mechanical brake and spindle lock
- Magnetic starter with overload protection
- Low tension circuit (110v by transformer)
- Tool kit with spare V-belt
- Wooden fences
- Adjustable fence and guard assembly

Technical Specifications	
Motor Horsepower	9 HP
Table Dimensions	1200 x 730mm (48" X 29")
Table Height	920mm ( 36" )
Working Height of Spindle (under the nut)	140mm ( 5.5" )
Max. Tool Diameter	250mm
Max. Insert Opening	320mm ( 12.6" )
Spindle Speeds (rpm)	3,000/4,500/6,000/8,000/10,000
Dust Outlet on Fence and Rear Base	120 mm each
Overall Dimensions (L,W,H)	47"x 39.1"x 40.7"
Crated Dimensions	66" Lx 45" W x 44.5"H
Shipping Weight	538kg (1,283 lbs)
Net Weight	500kg (1,100lbs)
Electrical Requirements	29 amps @ 230 volts
Dust Extraction	680 CFM x 2

## F520 Nova 20" Long Bed Jointer, 3-Phase



### Major Features:

- Tersa 4 knife insert head with quick change knives
- Magnetic starter with overload protection
- Heavy anodized aluminum jointer fence
- Spring type cutter head guard
- 108-1/4" long table length with ribbed cast tables
- Parallelogram movement of tables
- Tool set
- Dust hood



Technical Specifications	
Motor Horsepower	6.6 HP
Total Table Length	2750mm (108-1/4")
Infeed Table Length	1550mm (70")
Outfeed Table Length	1200m (47-3/4")
Table Width	520mm (20-1/2")
Working Capacity	2750mm x 520mm (108-1/4" x 20-1/2")
Max. Depth of Cut	8mm (5/16")
Cutter Head Diameter	120mm (4-3/4")
RPM	5000
No. of knives	4

Knife Dimensions	520mm x 35mm x 3mm
Fence Size	1200mm x 190mm (47-1/4" x 7-1/2")
Fence Tilt (degrees)	0 - 45
Dust Hood Diameter	120mm
Noise Level (dB)	75
Overall Dimensions	119" x 56"
Shipping Weight	1020kg (2,250 lbs)
Net Weight	850 kg (1,875 lbs)
Electrical Requirements	21 amps @ 230 volts
Dust Extraction	980 CFM

## S630 Class (S) 24" Heavy Duty Planer With Spiral Head, 3-Phase

### Major Features:

- Spiral, shear cut, helical insert cutterhead
- Electric powered movement feed table raise and lower (2 speed)
- Steel, sectioned infeed
- Two rubber outfeed rollers
- Variable feed system
- Powered bearing-assisted feed rollers
- Digital LED readout of working thickness
- Magnetic starter with overload protection
- Table lifting by four high precision jack screws
- Adjustable bed rollers in feed table
- Course and fine thickness adjustment
- Tool set
- Dust hood



Technical Specifications	
Motor Horsepower	12 HP
Working Width	630mm (24-3/4")
Working Height	3 - 300mm (1/8" - 11 3/4")
Max. Depth of Cut	8mm (5/16")
Minimum Length of Stock	260mm (10-1/4")
Cutter Head Diameter	120mm (4-3/4")
RPM	4500
No. of Knives	252
Knife Dimensions	15mm x 15mm x 2.5mm
Table Size	630mm x 1000mm (24.75" x 39.4")
Feed Speeds (Variable)	4 - 20 m/min (13 - 65 FPM)
Infeed Roller	Steel sectional, power driven
Outfeed Roller (x 2)	Rubber, power driven
Dust Hood Diameter	150mm
Noise Level (dB)	70
Overall Dimensions (L,W,H)	51" x 40" x 45"
Shipping Weight	1230kg (2,710 lbs)
Net Weight	1155 kg (2,550 lbs)
Electrical Requirements	45 amps @ 230 volts
Dust Extraction	980 CFM



## FS30 Classic 12" Combined Jointer & Planer, Single-Phase

### Standard Equipment:

- 4.8hp Single-phase (230v) motor
- Precision-ground cast iron tables
- 3-knife "Tersa" quick-change cutter head
- American-style jointer guard
- Quick-tilting jointer fence
- Jointer tables open away from operator
- Two independent dust collection ports
- Tool set & owner's manual



<b>Technical Specifications</b>	
Overall Dimensions	32" x 28" x 59"
Base Dimensions	26" x 19"
Weight	595 lbs.
<b>Jointer Specs:</b>	
Overall table length	59.75"
Maximum jointing width	12"
Cutter head speed	5,200 rpm
Fence Dimensions	6.0" x 51.0"
Fence Tilt	0-45
<b>Planer Specs:</b>	
Table size	12" x 22.0"
Maximum working thickness	9.0"
Minimum working thickness	0.125"
Maximum stock removal	1/8"
Feed speed	23fpm

## Sandya 1/S CS 95 Plus 37" Single Head Wide Belt Sander, 3-Phase

### Standard Features:

- Rubber coated pressing rollers before/after sanding unit
- Additional flexible holdown plate before sanding unit.
- .7 HP 2 speed feed unit. Feed speeds set at 15 and 30 feet per minute
- Electronic digital thickness readout of work table position
- Electronic positioning of the work table
- Powered table lifting by means of four heavy duty motor and lifting columns double fastened at both top and bottom of the lifting columns to provide exceptional table stability
- Accurate and reliable electronic tracking of abrasive belt
- Pneumatic belt tensioning with center fulcrum to compensate for tapering of abrasive belt
- Front and rear emergency stop buttons
- Automatic emergency stop of machine for:
  - Sanding belt breaking, tensioning, overtracking
  - Opening of the access door to the operating groups
  - Absence of compressed air
  - Overload on main motors
- Amperage meter for main motors allows max utilization of available horsepower
- Main disconnect switch with the ability to be locked out by padlock
- 50 shore, negative profile (waffle style) rubber feed mat
- Infeed and Outfeed tables with 2 rollers each



Technical Specifications	
Working Width	950mm (37")
Number of Heads Available	1
Feed Motor	.7 HP
Maximum Work piece Thickness	160mm (6.25")
Minimum Work piece Length	12.5"
Abrasive Belt Size	37" X 60"
Compressed Air Requirements	6 Bar (88 PSI.)
Dust Outlets	1 outlets @ 140mm (5.5")
Exhaust Requirements	900 CFM
Power Requirements	54 amps @ 230 Volts/3 phase

## Sandya S300 RCS 110 43" Two Head Wide Belt Sander, 3-Phase

### Standard Features:

- Rubber coated pressing rollers before/after working unit
- 1 HP Inverter variable speed feed unit. Feed speeds set at 10 to 60 feet per minute
- Y-Delta two-stage reduced voltage starter on main motor
- 2 roller Infeed and outfeed table extensions
- Automatic Electronic Table Positioning Device
- Adjustable sanding drum and pad position for micro precision adjustment
- Electronic digital thickness readout of work table position
- Powered table lifting by means of four heavy duty motor and lifting columns double fastened at both top and bottom of the lifting columns to provide exceptional table stability
- Electronic tracking of abrasive belt
- Automatic feed mat tracking
- Pneumatic belt tensioning with center fulcrum to compensate for tapering of abrasive belt
- Front and rear emergency stop buttons
- Automatic emergency stop of machine for:
  - Sanding belt breaking, tensioning, overtracking
  - Opening of the access door to the operating groups
  - Absence of compressed air
  - Overload on main motors
- Amperage meter for main motors allows maximum utilization of available horsepower
- Main disconnect switch with the ability to be locked out by padlock
- In feed flexible steel hold down, and anti kick back plate
- 50 shore, negative profile (waffle style) rubber feed mat
- LOGIC 50 K Electronic Programmer for timing/anti-dubbing of the pad



Technical Specifications	
Working Width	1100mm (43")
Number of Heads Available	2
Feed Motor	1 HP Inverter
Maximum Work piece Thickness	170mm (6.69")
Minimum Work piece Length	12.5"
Abrasive Belt Size	43" X 75"
Compressed Air Requirements	6 Bar (88 PSI.)
Dust Outlets	2 outlets @ 140mm (5.5")
Exhaust Requirements	1800 CFM
Power Requirements	54 amps @ 230 Volts/3 phase



# AWARD WINNING SAFETY SYSTEM

## Before An Injury Stops You!

- Award winning safety system
- Detects the difference between wood and fingers
- Patented technology
- Revolutionizing table saw safety!

## The Problem Is Real!

- 1 table saw injury every 9 minutes
- 10 table saw amputations every day\*
- Extreme pain
- Permanent loss of use
- Loss of income-earning abilities
- Loss of ability to pursue hobbies

Reality: Accidents happen, and when they occur, they have a tremendous impact on an employee's health as well as the employer's bottom line. Many accidents associated with table saws result in amputations that require vast monetary payouts by employers.

## THE CONSEQUENCES ARE LIFE CHANGING

**A Saw Injury Is Traumatic. The Consequences Can Last A Lifetime.**



**Without Sawstop**



**With Sawstop**

- **OSHA estimates one amputation will cost a company at least \$101,467**
- **Operating at a 10% net profit margin, a company must earn an additional \$1,014,670 in sales revenue to cover this cost.**

**\$48,318** of the OSHA estimate is made up of Direct costs, of which a certain amount may be covered by insurance (varies by plan).

**\$ ????** Increases in insurance premiums, unannounced OSHA inspections and fines, litigation, court settlements and attorney fees.

**\$53,149** of the OSHA estimate is made up of Indirect costs, none of which are covered by insurance. These costs include but are not limited to work stoppages, wages outside worker's compensation, employee training and replacement, lost productivity, and property replacement.



## SawStop Frequently Asked Questions

### How Does It Work?

The safety system induces an electrical signal onto the blade and then monitors that signal for changes. When something conductive (i.e. the human body) comes in contact with the blade the change in the electrical signal is detected and the blade shuts down in milliseconds.

### How Long Does It Take To Change From A Standard Brake To A Dado Brake?

The brake cartridge is a single unit that requires no tools to insert and remove. It's easy to change cartridges while you are changing blades, adding virtually no time to the task.

### Can The Saw Be Used To Cut Conductive Materials?

Customers do need the ability to cut conductive materials sometimes. When that need arises they can simply operate the saw in Bypass Mode which deactivates the safety system and will allow them to cut materials such as aluminum and other conductive materials.

### What Happens If The Blade Comes In Contact With A Nail Or Staple In The Wood?

Generally, the safety system will not activate when a staple or nail is cut. Although conductive, these objects are not large enough to cause the safety system to activate unless they are grounded to the table or operator when they contact the blade.

### What Has To Be Done If The Safety System's Brake Cartridge Is Activated?

If the safety system is activated the customer will need to change the blade and replace the brake cartridge (stock items for Würth Baer). Replacing the brake cartridge is simple and takes less than five minutes.

### Can The Blade Be Reused If The Safety System Brake Is Activated?

When the safety system is activated it will generally damage one to two teeth on the blade. It is usually cost-effective to have high-quality blades repaired by a qualified blade sharpening service, less expensive blades should be discarded.

### Can I Use Any 10" Standard Blade Or 8" Dado Set With A Sawstop Saw?

Any standard steel blade with steel or carbide teeth can be used.

You should not use non-conductive blades or blades with non-conductive hubs or teeth. They will prevent the SawStop safety system from applying the electrical signal on the blade that is required to sense skin contact.

Steel blades and dado sets with a lacquer finish or other coating on the teeth should not be used as the coating may inhibit or slow the speed at which the safety system detects skin contact.

### Does A Sawstop Cabinet Saw Include A Power Cord?

The Industrial Cabinet Saw (ICS) must be permanently connected to the building electrical system in accordance with National Electric Code. Consult a licensed electrician if you are unsure how to properly connect the saw to your building's electrical system.

- The Professional Cabinet Saw (PCS) does come with a power cord; it is a NEMA -6-15 and is 2 meters long.
- The Contractor Saw (CNS) comes with a standard power cord.

### Do I Need To Use A Blade Guard With A Sawstop Saw?

Yes, SawStop strongly recommends that you use a blade guard whenever possible.

### Can I Get A Serious Injury Using A Sawstop Saw?

In the vast majority of cases, coming in contact with the spinning blade will result in a minor cut. However, if your hand moves into the blade at a very high speed, it is possible for you to receive a serious injury.

## 10" Jobsite Saw 1.50 HP

### Standard Features:

- SawStop's patented safety system
- One-Turn Elevation - Raises or lowers the blade in just one turn of the handwheel. Other saws require over 25 turns.
- Quicktilt - Tilt the blade easily and quickly to your ideal angle in 1° increments. Fine tune with the infinitely-adjustable tilt adjust.
- T-Style Fence with Ergolock - Slides smoothly and locks firm with the innovative ErgoLock. The T-style design minimizes deflection to increase accuracy. Extend the OnDemand Shelf for support when needed.
- Easy Setup and Mobility - Simple, intuitive action extends the cart for use and collapses the cart for transport. Large wheels and comfort-grip handles makes it easy to navigate variable terrain.
- Dust Collection - Advanced under-table blade shrouding maximizes dust collection. Attach your vacuum and keep your workspace cleaner and safer.
- Low Profile Blade Guard - Micro guard increases visibility against kickback with less interference than other guards. Quickly switch between the MicroGuard and the provided riving knife with the flip of a lever.



Item #	Description
WXJSS-MCA	1.5HP, 1ph, 120VAC, 60Hz. Includes: Jobsite mobile cart and fence system
<b>Additional Accessories</b>	
WXTSBC-10R2	Standard Brake Cartridge
WXTSDC-8R2	Dado Brake Cartridge
WXTSI-SJB	Standard Lockdown Insert, Zero Clearance
WXTSI-DJB	Dado Lockdown Insert, Zero Clearance
WXCNS-07-148	40 Tooth Combo Blade, Professional Series
WXCBS-104-184	60 Tooth Combo Blade, Professional Series
WXBTS-R-40ATB	40 Tooth Combo Blade, Titanium Series
WXBTS-P-80HATB	80 Tooth Blade, Titanium Series



## 10" Contractor Saw 1.75 HP



WXCNS175-TGP52



### Standard Features:

- SawStop's patented safety system.
- Riving knife reduces the risk of kickback.
- Diagnostic system ensures the saw is ready to respond.
- Micro Blade Guard.

Item #	Description
WXCNS175-SFA30	1.75HP, 115/230V, 60Hz. Includes: 30" aluminum extrusion fence system
WXCNS175-TGP36	1.75HP, 115/230V, 60Hz. Includes: 36" Professional T-Glide Fence System Assembly including table.
WXCNS175-TGP52	1.75HP, 115/230V, 60Hz. Includes: 52" Professional T-Glide Fence System Assembly including table.
<b>Additional Accessories</b>	
WXTSG-DC	Dust Collection Blade Guard
WXTSA-ODC	Overarm Dust Collection (Requires WXTSG-DC & WXCNS-DCP)
WXMB-CNS-000	CNS Mobile Base (Cannot use with out-feed table.)
WXCNS-CIWA	Cast Iron Wing Assembly (Pair)
WXCNS-07-017	Single Cast Iron Wing
WXOFT30-CNS-000	30" Out-Feed Table (Not compatible with WXCNS175-SFA3S, WXMB-CNS-000 or WXMB-CNS-JC)
WXTSBC-10R2	Standard Brake Cartridge
WXTSDC-8R2	Dado Brake Cartridge
WXTSI-SLD	Standard Lockdown Insert, Zero Clearance
WXTSI-DLD	Dado Lockdown Insert, Zero Clearance
WXCNS-JSC	Job Site Cart
WXCNS-DCP	Dust Collection Panel - 2.5" & 4" Connections
WXCNS-07-148	40 Tooth Combo Blade, Professional Series
WXCB104-184	60 Tooth Combo Blade, Professional Series
WXBTS-R-40ATB	40 Tooth Combo Blade, Titanium Series
WXBTS-P-80HATB	80 Tooth Saw Blade, Titanium Series

## 10" Professional Cabinet Saw 1.75 HP

### Standard Features:

- SawStop's patented safety system.
- Riving knife reduces the risk of kickback.
- Diagnostic system ensures the saw is ready to respond.
- Micro Blade Guard.
- Under the table shroud.



WXPCS175 Series pictured with Dust Collection Blade Guard and Overarm Dust Collection. (sold separately)



Item #	Description
WXPCS175-PFA30	1.75HP, 120V, 60Hz. Includes: 30" Premium Fence Assembly
WXPCS175-TGP236	1.75HP, 120V, 60Hz. Includes: 36" Professional T-Glide Fence System Assembly including table.
WXPCS175-TGP252	1.75HP, 120V, 60Hz. Includes: 52" Professional T-Glide Fence System Assembly including table.
<b>Additional Accessories</b>	
WXTSG-DC	Dust Collection Blade Guard
WXTSA-ODC	Overarm Dust Collection (Requires WXTSG-DC, sold separately)
WXMB-PCS-000	PCS Mobile Base includes: (2) 360° Swivel Casters and (2) Rigid Casters (Cannot use with out-feed table.)
WXMB-PCS-IND	ICS Mobile Base, Industrial Version includes (4) 360° Swivel Casters (Includes adapter for PCS use)
WXOFT30-CNS-000	30" Out-Feed Table (Not compatible with WXMB-PCS-000 or WXMB-PCS-IND)
WXTSBC-10R2	Standard Brake Cartridge
WXTSDC-8R2	Dado Brake Cartridge
WXTSI-SLD	Standard Lockdown Insert, Zero Clearance
WXTSI-DLD	Dado Lockdown Insert, Zero Clearance
WXCNS-07-148	40 Tooth Combo Blade, Professional Series
WXCBS104-184	60 Tooth Combo Blade, Professional Series
WXBTS-R-40ATB	40 Tooth Combo Blade, Titanium Series
WXBTS-P-80HATB	80 Tooth Saw Blade, Titanium Series

## 10" Professional Cabinet Saw 3.0 HP

### Standard Features:

- SawStop's patented safety system.
- Riving knife reduces the risk of kickback.
- Diagnostic system ensures the saw is ready to respond.
- Dust Collection Blade Guard.
- 99% Dust Collection.



WXPCS31230 Series  
with Overarm Dust Collection.  
(sold separately)



Item #	Description
WXPCS31230-PFA30	3.0HP, 220V, 60Hz. Includes: 30" Premium Fence Assembly w/table.
WXPCS31230-TGP236	3.0HP, 220V, 60Hz. Includes: 36" Professional T-Glide Fence System Assembly including table.
WXPCS31230-TGP252	3.0HP, 220V, 60Hz. Includes: 52" Professional T-Glide Fence System Assembly including table.
<b>Additional Accessories</b>	
WXTSA-ODC	Overarm Dust Collection
WXMB-PCS-000	PCS Mobile Base includes: (2) 360° Swivel Casters and (2) Rigid Casters (cannot use with out-feed table.)
WXMB-PCS-IND	ICS Mobile Base, Industrial Version includes (4) 360° Swivel Casters (Includes adapter for PCS use)
WXOFT30-CNS-000	30" Out-Feed Table (Not compatible with WXMB-PCS-000 or WXMB-PCS-IND)
WXTSBC-10R2	Standard Brake Cartridge
WXTSDC-8R2	Dado Brake Cartridge
WXTSI-SLD	Standard Lockdown Insert, Zero Clearance
WXTSI-DLD	Dado Lockdown Insert, Zero Clearance
WXCNS-07-148	40 Tooth Combo Blade, Professional Series
WXCBS104-184	60 Tooth Combo Blade, Professional Series
WXBTS-R-40ATB	40 Tooth Combo Blade, Titanium Series
WXBTS-P-80HATB	80 Tooth Saw Blade, Titanium Series

# WHAT'S THE DIFFERENCE?

## The Industrial Saw vs. The Professional Cabinet Saw

### How do they differ and which is the right saw for you?

#### Industrial Includes:

200+ more pounds of Iron and Steel for heavy duty cycles, maximum stability and ultimate precision.

- Thicker Cast Iron Table for added stability
- Deeper Cast Iron Table (30" vs 27"), allowing for about 2.5" more room in front of the blade.
- Thicker gauge steel in the cabinet, rails, tube and fence.
- Larger and deeper fence. Tracks smooth and locks down solid with no deflection
- Massive Cast Iron Trunnion delivers smooth, precise operation year after year
- Bigger Hand Wheels for easy adjustment
- Larger metal motor access door for quick access
- Second access door for easy maintenance

#### Enhanced Safety Features:

- Industrial Lock-out/Tag-out switch
- Interrupt switches on all the access doors disable saw when open

#### 3 Additional Years of Motor Warranty:

- For a total of 5 years motor warranty

#### Industrial Is The Most Powerful 10" Saw!

- Offers the widest range of motor and power options, including an available 7.5hp motor. No other production 10" cabinet saw offers that much power!



## 10" Industrial Cabinet Saw 3, 5 or 7.5 HP

### Standard Features:

- SawStop's patented safety system.
- Riving knife reduces the risk of kickback.
- Diagnostic system ensures the saw is ready to respond.
- Fence system.
- Dust Collection Blade Guard.
- 99% Dust Collection.
- Lock Out/Tag Out.
- Door Interlocks.
- Below-Table Dust Shroud.

### Mobile Base

Need mobility in your shop with your saw? Add the Mobile Base to your ICS! Three quick pumps to the foot pedal raises the saw via a hydraulic piston, and four 360° casters move in any direction.

Item #: WXMB-IND-000

### Overarm Dust Collection

The Overarm Dust Collection System connects to the back of the Dust Collection blade guard, directing collected dust up and away from the cutting surface and into the saw's 4" dust collection port.

Item #: WXTSA-ODC



ICS pictured with Fence, Rails, Extension Table, (Mobile Base and Overarm Dust Collection sold separately).

Item #	Phase	Volts	Amps	Rails & Extension Table
<b>3 Horsepower Saws</b>				
WXICS31230-36	1	230v	13	36"
WXICS31230-52	1	230v	13	52"
<b>5 Horsepower Saws</b>				
WXICS51230-36	1	230v	20.5	36"
WXICS51230-52	1	230v	20.5	52"
WXICS53230-36	3	230v	13	36"
WXICS53230-52	3	230v	13	52"
WXICS53480-36	3	480v	6.5	36"
WXICS53480-52	3	480v	6.5	52"
<b>7.5 Horsepower Saws</b>				
WXICS73230-36	3	230v	17.8	36"
WXICS73230-52	3	230v	17.8	52"
WXICS73480-36	3	480v	9	36"
WXICS73480-52	3	480v	9	52"

Additional Accessories	
Item #	Description
WXTSBC-10L	Standard Brake Cartridge for CB Models (pre-2008 models)
WXTSDC-8L	Dado Brake Cartridge for CB Models (pre-2008 models)
WXTSBC-10R2	Standard Brake Cartridge for ICS Models
WXTSDC-8R2	Dado Brake Cartridge for ICS Models
WXTSI-SLD	Standard Lockdown Insert, Zero Clearance
WXTSI-DLD	Dado Lockdown Insert, Zero Clearance
WXCNS-07-148	40 Tooth Combo Blade, Professional Series
WXCBS-104-184	60 Tooth Combo Blade, Professional Series
WXBTS-R-40ATB	40 Tooth Combo Blade, Titanium Series
WXBTS-P-80HATB	80 Tooth Saw Blade, Titanium Series



# WOODWORKING MACHINE SOLUTIONS

## Würth Baer Supply

Würth Baer Supply  
909 Forest Edge Drive  
Vernon Hills, IL 60061  
T: 800-289-2237  
F: 888-558-2237  
[www.wuerthbaersupply.com](http://www.wuerthbaersupply.com)

**Other locations:**  
West Haven, CT  
Elk Grove Village, IL  
Vernon Hills, IL  
Indianapolis, IN

Versailles, KY  
Livonia, MI  
Fenton, MO  
Kansas City, MO  
Edison, NJ

Pennsauken, NJ  
Guilderland Center, NY  
Syracuse, NY  
Brooklyn Heights, OH  
Columbus, OH

Middletown, OH  
Bethlehem, PA  
Harrisburg, PA  
Rumford, RI

# LOOKING FOR MACHINERY ACCESSORIES, OTHER QUALITY TOOLS & DUST COLLECTION?

Machinery Accessories:



Quality Tools:



Dust Collection:

Contact your local Machinery Specialist below for more information on our Dust Collection products.

**Contact Your Local Würth Baer Supply Machinery Specialist Today!**

### Harold Crisman

Würth Baer Supply Machinery Specialist  
Michigan, New Jersey, New York, Ohio, Pennsylvania  
C: (810) 280-9747  
F: (800) 791-4593  
[hcrisman@wurthbaersupply.com](mailto:hcrisman@wurthbaersupply.com)

### Larry Ogryzek

Würth Baer Supply Machinery Specialist  
Illinois, Kentucky, Wisconsin  
C: (847) 404-4726  
F: (800) 791-4240  
[logryzek@wurthbaersupply.com](mailto:logryzek@wurthbaersupply.com)