

Introducing Our New Line of Würth PRO Lift Systems



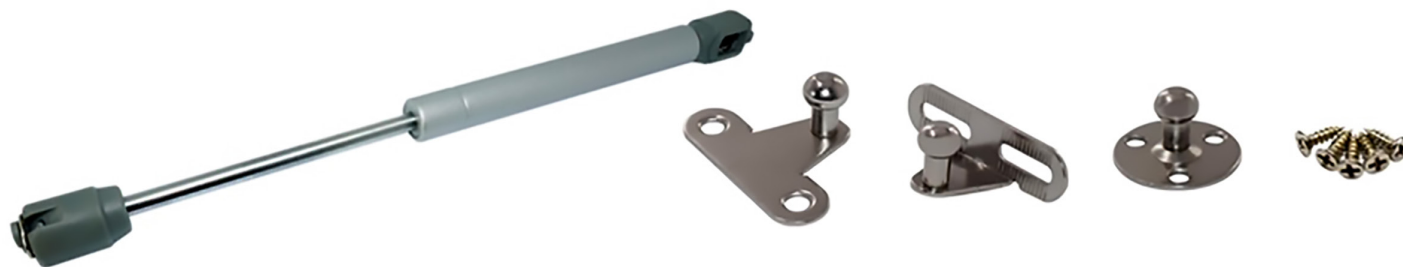
- High quality, value priced lift systems perfect for your next project
- Easy installation - Every PRO Lift Stay comes individually packaged with easy to follow instructions
- Easy lift up or lift down - we stock both the standard and reverse lift stays
- Lifetime warranty - Once you install your Würth PRO Lift Stay, you can have peace of mind that your project will function properly for years to come

Würth PRO Clock

- 75°, 90°, and 110° opening angles
- Braking motion is adjustable
- Heavy duty zinc die cast construction
- Works as both a lid stay and flap stay
- Door mount and cabinet mount brackets included



Item #	Price
DSPRO-CLOCK	\$6.99



Würth PRO Up Stays

- 75°, 90°, and 110° opening angles
- Upward soft motion
- Use with 110 degree European hinges and plates
- Will hold securely in open and closed positions
- Door and cabinet brackets included

Item #	Load Capacity	Price
DSPRO-US-80N	80N (18 lbs)	\$2.19
DSPRO-US-100N	100N (22.5 lbs)	\$2.19
DSPRO-US-120N	120N (27 lbs)	\$2.19

Würth PRO Down Stays

- Downward soft motion
- Use with 110 degree European hinges and plates
- Will hold securely in open and closed positions
- Door and cabinet brackets included

Item #	Load Capacity	Price
DSPRO-DS-60N	60N (13.5 lbs)	\$2.49
DSPRO-DS-80N	80N (18 lbs)	\$2.49

Pricing subject to change without notice. Source code: BP3145

Würth Baer Supply

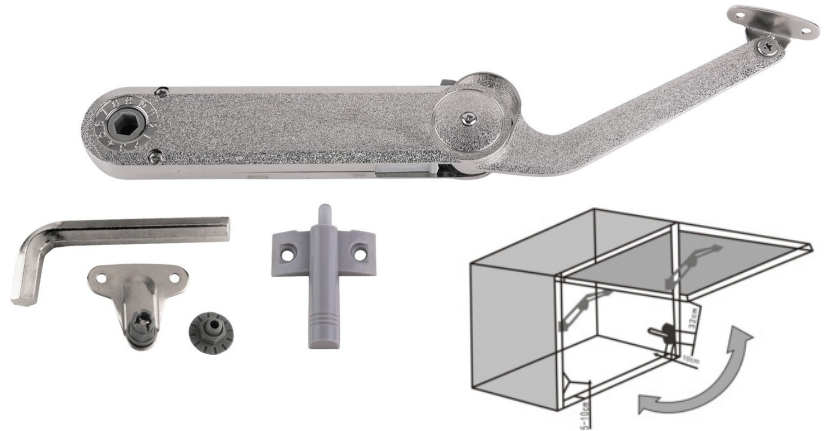
www.wurthbaersupply.com • 800-289-2237 • Fax: 888-558-2237

OPT-OUT INFORMATION: You may request Würth Baer Supply not to send any future advertisements to a telephone facsimile machine or machines. Failure to comply with such a request in the form prescribed by law, within the shortest time prescribed by law not to exceed 30 days, is unlawful. If you wish to discontinue future fax advertisements from Würth Baer Supply, Please send your request by Email to: creditreference@wurthbaersupply.com, or by Fax to: 847-613-3333 or by Calling: 800-289-2237. Your request should specify the telephone numbers or numbers of each telephone facsimile machine to which the request relates.

Introducing Our New Line of Würth PRO Lift Systems

Würth PRO Heavy Duty Lid Stays

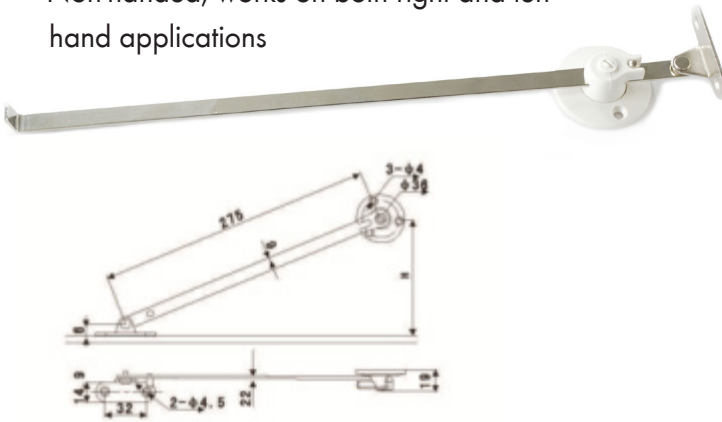
- 90° Angle Opening
- Adjustable with hex key (included)
- Left or right mounted
- Soft-close damper included
- Nickel-plated



Item #	Price
DSPRO-HD-LS	\$19.99

Würth PRO Drop Stays

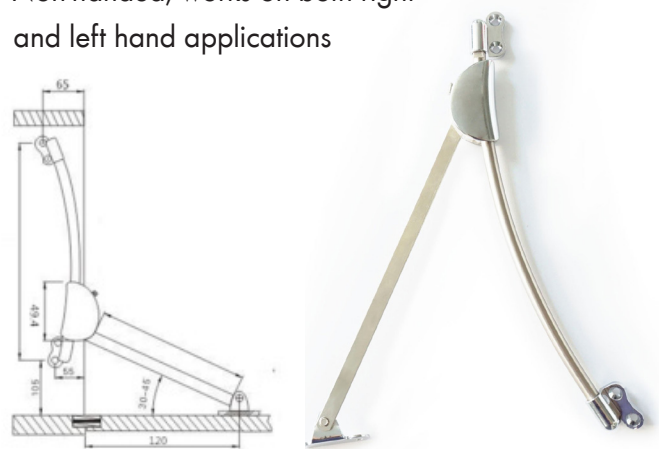
- Adjustable braking action
- Screw-mounted
- 8lb load capacity
- 15.5" minimum cabinet height needed
- Nickel-plated finish
- Non-handed; works on both right and left hand applications



Item #	Price
DSPRO-DROPSTAY-23	\$6.29

Würth PRO Drop Stays

- Adjustable braking action
- Screw-mounted
- 11lb load capacity
- Nickel-plated finish
- White plastic housing
- Non-handed; works on both right and left hand applications



Item #	Price
DSPRO-DROPSTAY-16	\$3.29

Pricing subject to change without notice. Source code: BP3145

Würth Baer Supply

www.wurthbaersupply.com • 800-289-2237 • Fax: 888-558-2237

OPT-OUT INFORMATION: You may request Würth Baer Supply not to send any future advertisements to a telephone facsimile machine or machines. Failure to comply with such a request in the form prescribed by law, within the shortest time prescribed by law not to exceed 30 days, is unlawful. If you wish to discontinue future fax advertisements from Würth Baer Supply, Please send your request by Email to: creditreference@wurthbaersupply.com, or by Fax to: 847-613-3333 or by Calling: 800-289-2237. Your request should specify the telephone numbers or numbers of each telephone facsimile machine to which the request relates.