

SECTION G - TABLE OF CONTENTS

Section G Contents:

Wooden Drawer Boxes
& Order Forms..... 2-9

Blum LEGRABOX Metal
Drawer Systems..... 10-24

Blum TANDEMBOX Metal
Drawer Systems..... 25-45

Blum METABOX Metal Drawer
Systems..... 46-53

Grass Vionaro Drawer Systems..... 54-62

Grass Nova Pro Drawer Systems..... 63

Grass Zargen Steel Drawer Systems.... 64-75

Grass Integra Metal Drawer Systems... 76-77

Grass Zbox Metal Drawer Systems..... 78-80



↑ Blum Metabox, pages G-46 - G-53

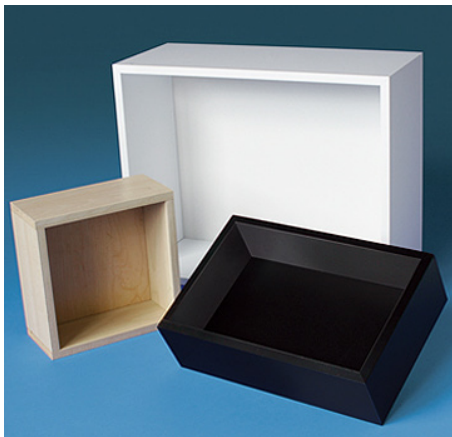


Grass Zargen, pages G-64 - G-75 →

↓ Grass ZBOX, page G-78 - G-80



Grass Vionaro, pages G-54 - G-62 ↓



← BHK
Drawers,
pages
G-3 - G-9

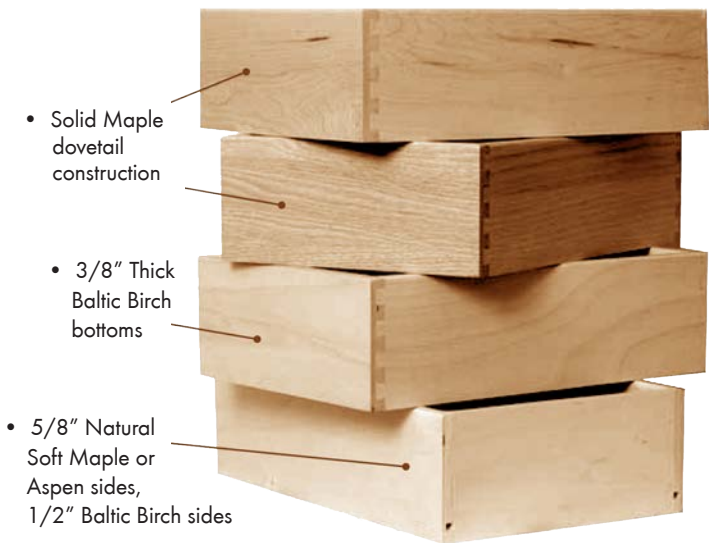
Blum Legrabox, pages G-10 - G-24 ↓



A
B
C
D
E
F
G
H
I
J
K
L
M
N
O
P
Q
R
S
T
U
V
W
X
Y

A CUSTOM DOVETAIL DRAWER BOXES

B
C
D
E
F
G
H
I
J
K
L
M
N
O
P
Q
R
S
T
U
V
W
X
Y



Custom Assembled Dovetail Drawer Boxes



- Custom high end drawer boxes
- Drawers are constructed of 5/8" thick Maple or Aspen sides, or 1/2" Baltic Birch sides
- 3/8" thick Baltic Birch bottom
- Shipped fully assembled
- Optional undermount slide ready
- Front scoops and ears available
- Available pre-finished or unfinished
- Email confirmation on all orders
- Ships within 7-10 days of order
- Custom laser logo engraving available! (.jpg, .pdf or similar file required)

WANT TO ORDER OR GET A QUOTE ON OUR CUSTOM DOVETAIL DRAWER BOXES?

It's easy at www.wurthbaersupply.com!

Simply fill in the info requested and your pricing will show instantly including shipping!


(Please login to view your account pricing)

Have a unique situation? Contact Customer Service to see how we can help!

Custom laser logo engraving available!

(.jpg, .pdf or similar file required)



Remove Drawer Box 1	Top Edge: <input type="radio"/> Square <input checked="" type="radio"/> Rounded	Undermount Recess: <input checked="" type="radio"/> 1/2"	Notched: (\$0.75 upcharge per box) <input type="radio"/> Yes <input checked="" type="radio"/> No	Undermount Pattern:
	Finish / Wood: Soft White Maple <input type="radio"/> Unfinished <input type="radio"/> Satin Finished Unselected Maple <input type="radio"/> Unfinished <input type="radio"/> Satin Finished	Aspen <input type="radio"/> Unfinished <input type="radio"/> Satin Finished Baltic Birch Plywood <input type="radio"/> Unfinished <input type="radio"/> Satin Finished	Front Scoop: (\$0.75 upcharge per box) <input type="radio"/> Yes <input checked="" type="radio"/> No	7/8" Ears: (\$2.50 upcharge per box) <input type="radio"/> Yes <input checked="" type="radio"/> No
 Click image above for larger picture.				
Width: <input type="text"/> <input type="text"/>				
Depth: <input type="text"/>				
Height: <input type="text"/> <input type="text"/>				
Special Instructions: <input type="text"/>				
Quantity: <input type="text" value="1"/>		Total Cost per Box: \$ <input type="text" value="0"/>		Extended Cost for 1 Box(es): \$ <input type="text" value="0"/>

Order or quote as many drawer boxes as you'd like on this one form.

[> Add another box](#)

Boxes =	0
Subtotal (with options) = \$	0.00
Shipping (\$0 per box) = \$	0.00
Total Cost (with Shipping and Options) = \$	0.00

CUSTOM DOVETAIL DRAWER BOX ORDER FORM

Select one:

Quote Order Date: _____

Customer Name: _____

Contact: _____

Address: _____

Account #: _____

Important:
Please inspect all drawer box orders for damage and/or missing items **before** accepting delivery. Würth Baer Supply cannot resolve delivery concerns without damage information or missing items noted on the delivery receipt.

RUSH ORDER

Check here for rush order. Please see below for additional fees.

Note: All rush drawer box orders will be assessed the following charges:

- 1 - 5 boxes with a 4 business day lead time will be a flat \$25.00 fee.
- 5+ box order with a 4 business day lead time will be 25% of the total order.
- Normal business lead time is 7 - 10 business days.
- Change Order Fees (once order is in progress): Each box will be assessed a \$10 change fee if the order is in progress.

Fax to: 847-913-1738



Purchase Order: _____

Phone: _____

Fax: _____

Email: _____

Standard Drawer Box Features:

- Choose Soft White Maple, Aspen, Unselected Maple or Baltic Birch
- Dovetail construction, shipped assembled
- Maple/Aspen side wall thickness of 5/8"
- Finished drawers are natural stain only
- 1/2" Recess only, 3/8" Baltic Birch bottoms

Options: (Please select from each category)

Top Edge	Material	Pre-Finished
<input type="checkbox"/> Square	<input type="checkbox"/> Soft White Maple	<input type="checkbox"/> Yes
<input type="checkbox"/> Rounded	<input type="checkbox"/> Aspen	<input type="checkbox"/> No
	<input type="checkbox"/> Unselected Maple	
	<input type="checkbox"/> Baltic Birch 1/2"	

Front Scoop \$0.75 upcharge per box. Yes No

7/8" Ears \$2.50 upcharge per box. Yes No

Undermount Options:

Notched \$0.75 upcharge per box.	Undermount Pattern For Notching
<input type="checkbox"/> Yes	<input type="checkbox"/> Blum <input type="checkbox"/> KV <input type="checkbox"/> ACCURIDE <input type="checkbox"/> PRO500/600 <input type="checkbox"/> SALICE
<input type="checkbox"/> No	Grass: (select type) <input type="checkbox"/> ELITE <input type="checkbox"/> DYNAPRO <input type="checkbox"/> KingSlide

Qty	Width	Depth	Height	Special Instructions	Price per Box (Includes Options)

A
B
C
D
E
F
G
H
I
J
K
L
M
N
O
P
Q
R
S
T
U
V
W
X
Y

A DRAWER BLANKS

Drawer Side Material For Closets

1/2" Thick Miterfold White Vinyl Wrapped Blanks



- Designed for standard 18" and 24" W x 14" D closet openings
- Drawers assemble quickly from blanks by using wood glue, folding sides around matching drawer bottom and closing remaining side onto dowels
- BHK miterfold white vinyl drawer sides are sealed with "Durawrap", an abrasion resistant surface that is durable and easy to clean
- Vinyl material is 8 mil thick and is non-flammable, the core is made of high density particle board for greater screw holding strength
- All vinyl miterfold drawers have 1/4" drawer bottom dado and 3/8" bottom reveal
- Vinyl drawer side heights are 2-3/4" through 10"

Note: Other sizes and colors/woodgrains available with 100 piece minimum per size.



Item#	Size
Drawer Sides For 18" W x 14" D Opening	
BKSFBDM18	13.77" (350mm) D x 16.96" (431mm) W x 7" (178mm) H
Drawer Sides For 24" W x 14" D Opening	
BKSFBD S24	13.77" (350mm) D x 22.95" (583mm) W x 2.75" (70mm) H
BKSFBD A24	13.77" (350mm) D x 22.95" (583mm) W x 4.5" (114mm) H
BKSFBD M24	13.77" (350mm) D x 22.95" (583mm) W x 7" (178mm) H
Drawer Bottom For Above 18" Wide Drawer	
BKSFBBT18	1/4" Thick x 13.18" (335mm) D x 16.38"(416mm) W
Drawer Bottom For Above 24" Wide Drawer	
BKSFBBT24	1/4" Thick x 13.18" (335mm) D x 22.36" (568mm) W

ORDERING MADE EASY!

Scan Code To Install The New Würth Baer Supply Mobile App!

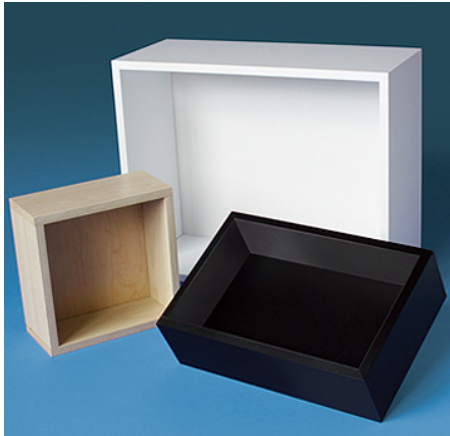


SCAN • CHECK • BUY



For more information contact Würth Baer Supply Webmaster at 888-922-2237 or your local sales representative.

DRAWER BLANKS



1/2" Thick Solid Wood, Wood Veneer Plywood & Vinyl Wrapped Blanks



- Vinyl "Durawrap" material is 8 mil thick and non-flammable, blanks have a core made of high density particle board for greater screw holding strength
- Pre-finished with "Endura" ultra violet cured top coat and are ready to assemble
- All drawer blanks have 1/4" drawer bottom dado and a 3/8" bottom reveal
- In-stock 1/2" Maple Plywood, Russian Birch Plywood and SuperMatte Vinyl in Black and White colors
- Russian Birch Plywood blanks are made from 1st quality Russian Birch veneers, bonded to ANSI/BIFMA spec 7 layer plywood cores
- Blanks have a square edge profile

Note: Other heights and species available. Also available in complete assembled or unassembled drawers.

Wood Drawer Sides - 8' Length (Except Russian Birch Is 5' Length)			
Drawer Height	1/2" Thick Maple Item #	12.3mm Thick Import Birch Item #	12mm Thick Russian Birch Item #
2-3/4"	-	BK27596BBP	BK27560RBP
3"	BK30096MV	-	BK30060RBP
4"	BK40096MV	BK40096BBP	BK40060RBP
5"	BK50096MV	-	BK50060RBP
6"	BK60096MV	BK60096BBP	BK60060RBP
7"	BK70096MV	-	-
8"	BK80096MV	BK80096BBP	BK80060RBP
10"	BK100096MV	BK100096BBP	BK100060RBP
1/2" Thick Vinyl Drawer Sides - 8' Length			
Drawer Height	White Vinyl Item #	Black Vinyl Item #	
2-3/4"	BK27596W	-	
3"	BK30096W	-	
4"	BK40096W	BK40096BK	
5"	BK50096W	-	
5-1/2"	BK55096W	-	
6"	BK60096W	-	
7"	BK70096W	-	
8"	BK80096W	-	
10"	BK100096W	BK100096BK	

A
B
C
D
E
F
G
H
I
J
K
L
M
N
O
P
Q
R
S
T
U
V
W
X
Y

A
B
C
D
E
F
G
H
I
J
K
L
M
N
O
P
Q
R
S
T
U
V
W
X
Y

BHK WOOD DRAWER PRODUCTION ORDER FORM

Approximately 2 - 3 weeks lead time.

Note: 25 drawer minimum per size. For less than 25, please ask about our one drawer minimum Fast Track Program for Type KD Drawers.

Fax to: 888-558-2237

Date: _____

Select one:

Quote Order



Customer Name: _____

Purchase Order: _____

Contact: _____

Quote Request: _____

Address: _____

Account #: _____

Phone: _____

Species:

Fax: _____

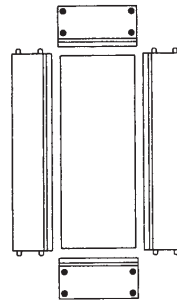
- 1/2" Maple Plywood Grade c/c
- 12mm Baltic Birch Plywood Grade BB/BB
- Other: _____
- Grade: _____ Thickness: _____

Email: _____

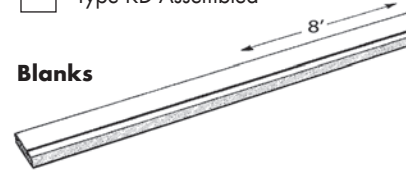
Finish: UV Cured Prefinished Clear Unfinished

Type KD

Type KD (Knock Down) with ready to assemble components



Type KD Assembled



Blanks

Blanks (8' on all except Baltic Birch which is 5')

- Top Edge:**
- Flat Top
 - Bullnosed
 - Add Opaque Foil Top Edge
 - Add Clear Foil Top Edge
 - Add UV Cured Clear Edgebanding (Flat Top Only)
 - Add Unfinished Edgebanding (Flat Top Only)
 - No Top Edge Treatment

Quote with bottoms Quote without bottoms

Groove for bottom

Groove starting point (B): 3/8" 1/2"

Bottom thickness: 1/8" 1/4"

Note: Bottoms have a random grain direction unless otherwise specified.

Joinery for KD Components:

- Dovetail
- Dowel

Notched and drilled for undermount slides.

Slide brand: _____

Special drilling for drawer face.

We have Custom Laser Engraving! Add your laser engraved company logo: Yes No (If yes, please include a .jpg, .pdf or similar file)

Type KD (Standard Heights Available: 2", 3", 3.5", 4", 5", 6", 7", 8", 10")

Blanks

Qty	Outside Length	Outside Width	Outside Height

Qty	Outside Height

BHK VINYL DRAWER PRODUCTION ORDER FORM

Approximately 2 - 3 weeks lead time.

Note: 100 drawer minimum per size. For less than 100, please ask about our one drawer minimum Fast Track Program for Type KD Drawers.



Fax to: 888-558-2237



Date: _____

Customer Name: _____

Contact: _____

Address: _____

Account #: _____

Drawer Vinyl Color: _____

Bottom Vinyl Color: _____

Note: Wood grain bottoms have a random direction unless otherwise specified.

Type of Drawer:

- Miterfold
- Type K-D (knock down) with ready to assemble dowel components
- Type K-D Assembled
- Blanks 8"

<input type="checkbox"/> Quote with bottoms	
<input type="checkbox"/> Quote without bottoms	
<input type="checkbox"/> Drawer Side Thickness (A):	<input type="checkbox"/> 5/8" <input type="checkbox"/> 1/2"
<input type="checkbox"/> Groove starting point (B):	<input type="checkbox"/> 3/8" <input type="checkbox"/> 1/2"
<input type="checkbox"/> Bottom thickness:	<input type="checkbox"/> 1/8" <input type="checkbox"/> 1/4"

Note: Bottoms have a random grain direction unless otherwise specified.

Special drilling for drawer face. Note: Please include drawing for special drilling.

Miterfold or Type KD

Quantity	Outside Length	Outside Width	Outside Height

Select one:

- Quote Order

Purchase Order: _____

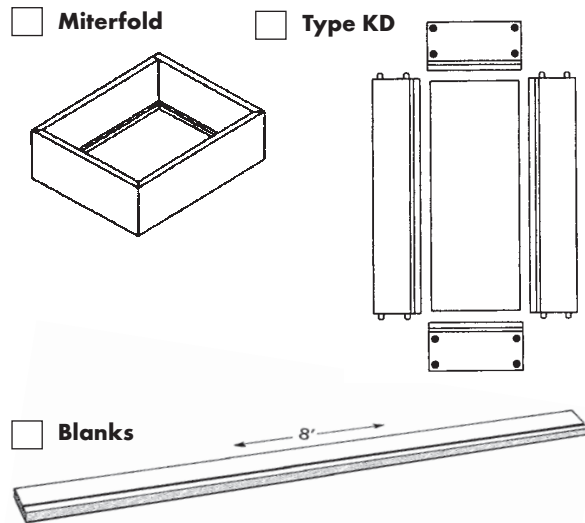
Quote Request: _____

Phone: _____

Fax: _____

Email: _____

Vinyl Colors	
White	Maple
Black	Natural Cherry
Aluminum	White Maple



Blanks

Quantity	Outside Height

A
B
C
D
E
F
G
H
I
J
K
L
M
N
O
P
Q
R
S
T
U
V
W
X
Y

A
B
C
D
E
F
G
H
I
J
K
L
M
N
O
P
Q
R
S
T
U
V
W
X
Y

BHK FAST TRACK ORDER FORM

7-10 Day Delivery! Stop Making Drawers, Start Saving Time & Money!

A drawer for every need. A drawer for every price point!

Fax to: 888-558-2237

Date: _____

Select one:

Account #: _____

Quote Order

Customer Name: _____

PO #: _____

Contact: _____

Quote #: _____

Address: _____

Phone: _____

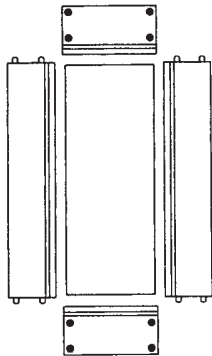
Fax: _____

Email: _____

Commercial Residential

1/2" Durawrap® Vinyl Doweled Components, Flat Top Edge:

- White
- Black
- White Maple
- Unassembled
- Assembled



No minimum quantity.

Bottom: Price includes 1/4" matching bottoms.

Available Standard Heights only:

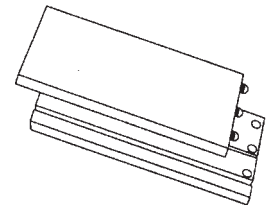
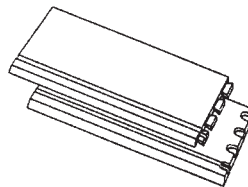
2.0", 3.0", 3.5", 4.0", 5.0", 6.0", 7.0", 8.0", 10.0"

Endura® UV Cured Prefinished Wood Drawer Components:

- 12mm Baltic Birch Plywood - Grade BB/BB-Bullnose Top Edge
- 1/2" Maple Plywood - Grade C/C - Flat Top Edge with Veneer Edgebanding

Dovetail

Dowel



Unassembled Assembled

Notched and drilled for undermount slides.
Slide brand: _____



We have Custom Laser Engraving! Add your laser engraved company logo: Yes No (If yes, please include a .jpg, .pdf or similar file)

Quantity	Outside Length	Outside Width	Outside Height

BHK VALUE



BHK DuraWrap® Color Range

**BHK Fastrack Program
Get What You Need – Faster!**



- Drawers in any quantity from 1 to 150 per order
- Easy and fast online ordering
- Standard heights: 2", 3", 3.5", 4", 5", 6", 7", 8", 10"
- Standard Bottom Groove Widths: 1/8", 1/4", 3/8" (Solid Wood)
- Solid Wood: Maple, Aspen and more
- Engineered Wood: Baltic Birch, Maple and other plywood options
- Durawrap®: White, Black & White Maple

Note: 10 business days or less lead time



Miter-Fold



English Dovetail

**BHK Joinery Options
Customize to your needs!**

- Miter-fold for fast assembly - glue, fold and install for 3-sided and 4-sided drawers
- Bore & Dowel for 3-sided and 4-sided drawers, for greatest flexibility and precise assembly
- English Dovetail for the craftsman look and feel
- Rabbet



Front Scoop & Side Scallop



UV Finished Drawers

**Prefinished Sheetgoods from BHK
Steamlines the Process!**

- Simplify your manufacturing process
- Top Quality BHK EnDura® UV-finish
- Clear or custom-stained
- Cut-to-size panels to your specifications



Notching & Boring

**BHK Assembly Program
Flexibility To Suit The Job!**

- Drawers made and assembled to your exact specifications
- No waste in material and labor
- Easy and fast online ordering
- Ready for installation in-house or on-jobsite
- Notching and boring for use with most undermount slides available

A
B
C
D
E
F
G
H
I
J
K
L
M
N
O
P
Q
R
S
T
U
V
W
X
Y

A
B
C
D
E
F
G
H
I
J
K
L
M
N
O
P
Q
R
S
T
U
V
W
X
Y

BLUM LEGRABOX PREMIUM METAL DRAWER SYSTEMS



LEGRABOX 2-5/8" (66.5mm) N Height Drawer



- Full extension drawer system with BLUMOTION
- Smooth running action
- Two-dimensional drawer front adjustment
- Dynamic load capacity of 88 lb
- Compatible with TIP-ON BLUMOTION and SERVO-DRIVE

Cabinet Profiles

- Packed in full boxes of 6 sets. Available any quantity.

Item #	Length
BP7504501S	18"
BP7505001S	20"
BP7505501S	22"



Drawer Profiles

- Include color coordinated cover caps
- Packed in full boxes of 6 sets. Available any quantity.

Item #	Length	Finish
BP770N4502S	18"	Orion Gray
BP770N4502I	18"	Stainless Steel
BP770N5002S	20"	Orion Gray
BP770N5002I	20"	Stainless Steel
BP770N5502S	22"	Orion Gray
BP770N5502I	22"	Stainless Steel



Front Fixing Brackets

- Two required per drawer
- Packed in full boxes of 100. Available any quantity.

Item #	Type
BPZF7N70E2	EXPANDO
BPZF7N7002	Screw-on



Rear Fixing Bracket Set

- Includes left and right brackets
- Orion gray finish

Item #
BPZB7N000S



BLUM LEGRABOX PREMIUM METAL DRAWER SYSTEMS



**LEGRABOX 3-9/16" (90.5mm)
M Height Drawer**



- Full extension drawer system with BLUMOTION
- Smooth running action
- Three-dimensional drawer front adjustment
- Dynamic load capacity of 88 lb and 155 lb
- Compatible with TIP-ON BLUMOTION and SERVO-DRIVE

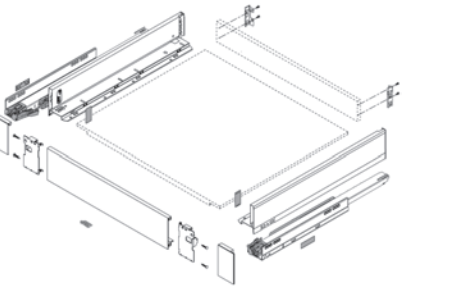


Cabinet Profiles				
Length	88lb Item #	Box Qty	155lb Item #	Box Qty
11"	BP7502701S	6	—	—
14"	BP7503501S	6	—	—
16"	BP7504001S	6	—	—
18"	BP7504501S	6	BP7534501S	6
20"	BP7505001S	6	BP7535001S	6
22"	BP7505501S	6	BP7535501S	6
24"	—	—	BP7536001S	6



Drawer Profiles

- Include color coordinated cover caps
- Packed in full boxes of 6 sets. Available any quantity.



Item #	Length	Finish
BP770M2702S	11"	Orion Grey
BP770M2702I	11"	Stainless Steel
BP770M3502S	14"	Orion Grey
BP770M3502I	14"	Stainless Steel
BP770M4002S	16"	Orion Grey
BP770M4002I	16"	Stainless Steel

Item #	Length	Finish
BP770M4502S	18"	Orion Grey
BP770M4502I	18"	Stainless Steel
BP770M5002S	20"	Orion Grey
BP770M5002I	20"	Stainless Steel
BP770M5502S	22"	Orion Grey
BP770M5502I	22"	Stainless Steel
BP770M6002S	24"	Orion Grey
BP770M6002I	24"	Stainless Steel



Front Fixing Brackets

- Two required per drawer
 - Packed in full boxes of 100.
- Available any quantity.

Item #	Type
BPZF7N70E2	EXPANDO
BPZF7N7002	Screw-on

Rear Fixing Bracket Set

- Includes left and right brackets
- Orion gray finish

Item #
BPZB7N000S



A
B
C
D
E
F
G
H
I
J
K
L
M
N
O
P
Q
R
S
T
U
V
W
X
Y

A
B
C
D
E
F
G
H
I
J
K
L
M
N
O
P
Q
R
S
T
U
V
W
X
Y

BLUM LEGRABOX PREMIUM METAL DRAWER SYSTEMS



LEGRABOX 3-9/16" (90.5mm) M Height Interior Roll Out



- Full extension drawer system with BLUMOTION
- Smooth running action
- Three-dimensional drawer front adjustment
- Dynamic load capacity of 88 lb and 155 lb
- Compatible with TIP-ON BLUMOTION and SERVO-DRIVE



Cabinet Profiles				
Length	88lb Item #	Box Qty	155lb Item #	Box Qty
11"	BP7502701S	6	—	—
14"	BP7503501S	6	—	—
16"	BP7504001S	6	—	—
18"	BP7504501S	6	BP7534501S	6
20"	BP7505001S	6	BP7535001S	6
22"	BP7505501S	6	BP7535501S	6
24"	—	—	BP7536001S	6

Drawer Profiles

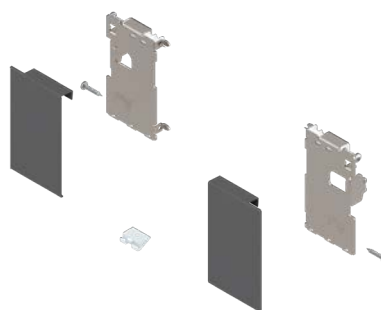
- Include color coordinated cover caps
 - Packed in full boxes of 6 sets.
- Available any quantity.

Item #	Length	Finish
BP770M2702S	11"	Orion Grey
BP770M2702I	11"	Stainless Steel
BP770M3502S	14"	Orion Grey
BP770M3502I	14"	Stainless Steel
BP770M4002S	16"	Orion Grey
BP770M4002I	16"	Stainless Steel
BP770M4502S	18"	Orion Grey
BP770M4502I	18"	Stainless Steel
BP770M5002S	20"	Orion Grey
BP770M5002I	20"	Stainless Steel
BP770M5502S	22"	Orion Grey
BP770M5502I	22"	Stainless Steel
BP770M6002S	24"	Orion Grey
BP770M6002I	24"	Stainless Steel

Front Piece

- Length 41-1/16" (1043mm), cut to size

Item #	Finish
BPZV71043C01-GREY	Grey
BPZV71043C01-SS	Stainless Steel



Rear Fixing Bracket Set

- Includes left and right brackets
- Orion grey finish

Item #
BPZB7M000S

Interior Front Fixing Bracket Set

- Set Includes:
- Left and right front fixing brackets
 - Left and right outer cover caps
 - Locking piece
 - Screws

Item #
BPZI70MSO

BLUM LEGRABOX PREMIUM METAL DRAWER SYSTEMS



**LEGRABOX 5-1/16" (128.5mm)
K Height Drawer**



- Full extension drawer system with BLUMOTION
- Smooth running action
- Three-dimensional drawer front adjustment
- Dynamic load capacity of 88 lb and 155 lb
- Compatible with TIP-ON BLUMOTION and SERVO-DRIVE



Cabinet Profiles				
Length	88lb Item #	Box Qty	155lb Item #	Box Qty
14"	BP7503501S	6	—	—
16"	BP7504001S	6	—	—
18"	BP7504501S	6	BP7534501S	6
20"	BP7505001S	6	BP7535001S	6
22"	BP7505501S	6	BP7535501S	6



Drawer Profiles

- Include color coordinated cover caps
- Packed in full boxes of 6 sets. Available any quantity.

Front Fixing Brackets

- Two required per drawer



Item #	Length	Finish
BP770K3502S	14"	Orion Grey
BP770K3502I	14"	Stainless Steel
BP770K4002S	16"	Orion Grey
BP770K4002I	16"	Stainless Steel
BP770K4502S	18"	Orion Grey
BP770K4502I	18"	Stainless Steel
BP770K5002S	20"	Orion Grey
BP770K5002I	20"	Stainless Steel
BP770K5502S	22"	Orion Grey
BP770K5502I	22"	Stainless Steel

Rear Fixing Bracket Set

- Includes left and right brackets
- Orion gray finish

Item #
BPZB7K000S



Item #	Type
BPZF7K70E2	EXPANDO
BPZF7K7002	Screw-on

A
B
C
D
E
F
G
H
I
J
K
L
M
N
O
P
Q
R
S
T
U
V
W
X
Y

A
B
C
D
E
F
G
H
I
J
K
L
M
N
O
P
Q
R
S
T
U
V
W
X
Y

BLUM LEGRABOX PREMIUM METAL DRAWER SYSTEMS



LEGRABOX 7" (177mm) C Height Drawer



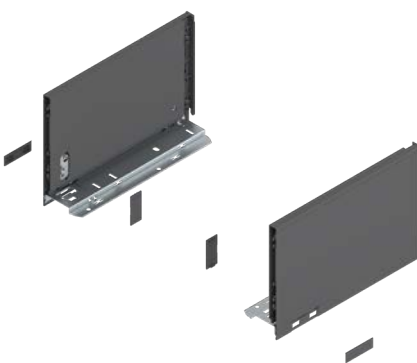
- Full extension drawer system with BLUMOTION
- Smooth running action
- Three-dimensional drawer front adjustment
- Dynamic load capacity of 88 lb and 155 lb
- Compatible with TIP-ON BLUMOTION and SERVO-DRIVE



Cabinet Profiles				
Length	88lb Item #	Box Qty	155lb Item #	Box Qty
11"	BP7502701S	6	—	—
14"	BP7503501S	6	—	—
16"	BP7504001S	6	—	—
18"	BP7504501S	6	BP7534501S	6
20"	BP7505001S	6	BP7535001S	6
22"	BP7505501S	6	BP7535501S	6
24"	—	—	BP7536001S	6

Drawer Profiles

- Include color coordinated cover caps
 - Packed in full boxes of 6 sets.
- Available any quantity.

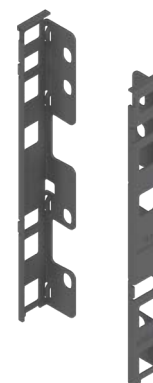


Item #	Length	Finish
BP770C2702S	11"	Orion Grey
BP770C2702I	11"	Stainless Steel
BP770C3502S	14"	Orion Grey
BP770C3502I	14"	Stainless Steel
BP770C4002S	16"	Orion Grey
BP770C4002I	16"	Stainless Steel
BP770C4502S	18"	Orion Grey
BP770C4502I	18"	Stainless Steel
BP770C5002S	20"	Orion Grey
BP770C5002I	20"	Stainless Steel
BP770C5502S	22"	Orion Grey
BP770C5502I	22"	Stainless Steel
BP770C6002S	24"	Orion Grey
BP770C6002I	24"	Stainless Steel

Rear Fixing Bracket Set

- Includes left and right brackets
- Orion gray finish

Item #
BPZB7C000S



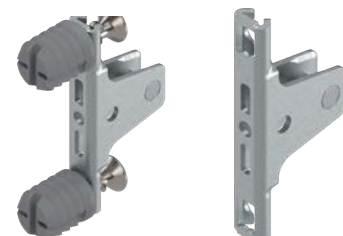
Front Fixing Brackets

- Two C brackets or four M brackets required per drawer

C Bracket Item #	Type
BPZF7C70E2	EXPANDO
BPZF7C7002	Screw-on



M Bracket Item #	Type
BPZF7M70E2	EXPANDO
BPZF7M7002	Screw-on



BLUM LEGRABOX PREMIUM METAL DRAWER SYSTEMS



LEGRABOX 7" (177mm) C Height Interior Roll Out



- Full extension drawer system with BLUMOTION
- Smooth running action
- Three-dimensional drawer front adjustment
- Dynamic load capacity of 88 lb and 155 lb
- Compatible with TIP-ON BLUMOTION and SERVO-DRIVE

Cabinet Profiles				
Length	88lb Item #	Box Qty	155lb Item #	Box Qty
11"	BP7502701S	6	—	—
14"	BP7503501S	6	—	—
16"	BP7504001S	6	—	—
18"	BP7504501S	6	BP7534501S	6
20"	BP7505001S	6	BP7535001S	6
22"	BP7505501S	6	BP7535501S	6
24"	—	—	BP7536001S	6

Drawer Profiles

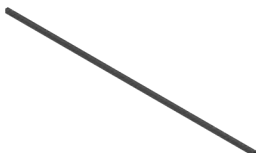
- Include color coordinated cover caps
- Packed in full boxes of 6 sets.
Available any quantity.



Cross Gallery Rail

- Length 42-1/2" (1080mm), cut to size

Item #	Finish
BPZR71080U-GREY	Grey
BPZR71080U-SS	Stainless Steel

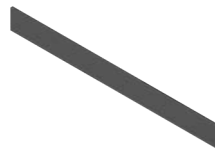


Item #	Length	Finish
BP770C2702S	11"	Orion Grey
BP770C2702I	11"	Stainless Steel
BP770C3502S	14"	Orion Grey
BP770C3502I	14"	Stainless Steel
BP770C4002S	16"	Orion Grey
BP770C4002I	16"	Stainless Steel
BP770C4502S	18"	Orion Grey
BP770C4502I	18"	Stainless Steel
BP770C5002S	20"	Orion Grey
BP770C5002I	20"	Stainless Steel
BP770C5502S	22"	Orion Grey
BP770C5502I	22"	Stainless Steel
BP770C6002S	24"	Orion Grey
BP770C6002I	24"	Stainless Steel

Front Piece

- Length 41-1/16" (1043mm), cut to size

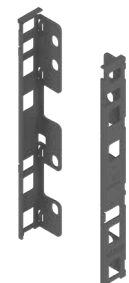
Item #	Finish
BPZV71043C01-GREY	Grey
BPZV71043C01-SS	Stainless Steel



Rear Fixing Bracket Set

- Includes left/right brackets
- Orion gray finish

Item #
BPZB7C000S



Interior Front Fixing Bracket Set

Set Includes:

- Left and right front fixing brackets
- Left and right outer cover caps
- Left and right inside cover caps
- Locking piece
- Screws



Item #
BPZI70MS0

A
B
C
D
E
F
G
H
I
J
K
L
M
N
O
P
Q
R
S
T
U
V
W
X
Y

A
B
C
D
E
F
G
H
I
J
K
L
M
N
O
P
Q
R
S
T
U
V
W
X
Y

BLUM LEGRABOX PREMIUM METAL DRAWER SYSTEMS



LEGRABOX 9-1/2" (241mm) F Height Drawer



- Full extension drawer system with BLUMOTION
- Smooth running action
- Three-dimensional drawer front adjustment
- Dynamic load capacity of 88 lb and 155 lb
- Compatible with TIP-ON BLUMOTION and SERVO-DRIVE



Cabinet Profiles				
Length	88lb Item #	Box Qty	155lb Item #	Box Qty
16"	BP7504001S	6	—	—
18"	BP7504501S	6	BP7534501S	6
20"	BP7505001S	6	BP7535001S	6
22"	BP7505501S	6	BP7535501S	6

Drawer Profiles

- Include color coordinated cover caps
- Packed in full boxes of 3 sets.
Available any quantity.



Front Fixing Brackets

- Two M brackets and two C brackets required OR six M brackets required



M and C Bracket Item #	Type
BPZF7M70E2	EXPANDO
BPZF7M7002	Screw-on
BPZF7C70E2	EXPANDO
BPZF7C7002	Screw-on

M Bracket Item #	Type
BPZF7M70E2	EXPANDO
BPZF7M7002	Screw-on

Item #	Length	Finish
BP770F4002S	16"	Orion Grey
BP770F4002I	16"	Stainless Steel
BP770F4502S	18"	Orion Grey
BP770F4502I	18"	Stainless Steel
BP770F5002S	20"	Orion Grey
BP770F5002I	20"	Stainless Steel
BP770F5502S	22"	Orion Grey
BP770F5502I	22"	Stainless Steel

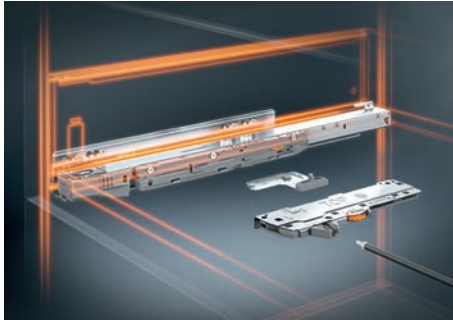
Rear Fixing Bracket Set

- Includes left and right brackets
- Orion gray finish

Item #
BPZB7F000S



BLUM LEGRABOX PREMIUM METAL DRAWER SYSTEMS



LEGRABOX TIP-ON BLUMOTION

- Enables LEGRABOX drawer to be opening with just a light touch of the drawer front
- Fully mechanical motion
- Smooth running action



TIP-ON BLUMOTION Unit and Triggers

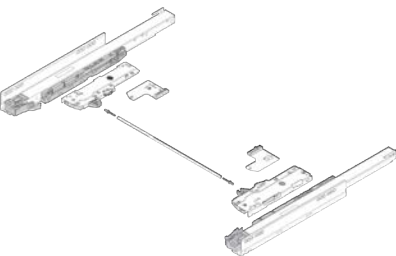
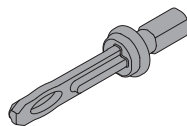
- **Sets Include:**
 - Left and right TIP-ON units and triggers
 - Two synchronization adapters



Synchronization Adapters

- To be used with the T60L1118W synchronization rod

Item #
BPT60000D



Drawer Length	S1 (0 - 44 lb)	L1 (0 - 44 lb)	L3 (44 - 88 lb)	L5 (88 - 155 lb)
11"	BPT60L7140	—	—	—
14"	—	BPT60L7340	BPT60L7540	—
16"	—	BPT60L7340	BPT60L7540	—
18"	—	BPT60L7340	BPT60L7540	BPT60L7570
20"	—	BPT60L7340	BPT60L7540	BPT60L7570
22"	—	BPT60L7340	BPT60L7540	BPT60L7570
24"	—	—	—	BPT60L7570
26"	—	—	—	BPT60L7570

Synchronization Rod

- Recommended for all cabinet widths for optimal function
- Opening width: 12-3/8" (314mm) minimum, 54-1/2" (1385mm) maximum
- Length 44-1/32" (1118mm), cut to size

Item #
BPT60L1118W

TIP-ON BLUMOTION Synchronization for Narrow Applications

- Opening width: 11-1/16" (281mm) minimum, 12" (305mm) maximum
- Length 2-1/2" (64mm), cut to size

Item #
BPT60300D22

TIP-ON BLUMOTION Front Gap Template

- For creating a 3/32" (2.5mm) front gap

Item #
BP655631US



A
B
C
D
E
F
G
H
I
J
K
L
M
N
O
P
Q
R
S
T
U
V
W
X
Y

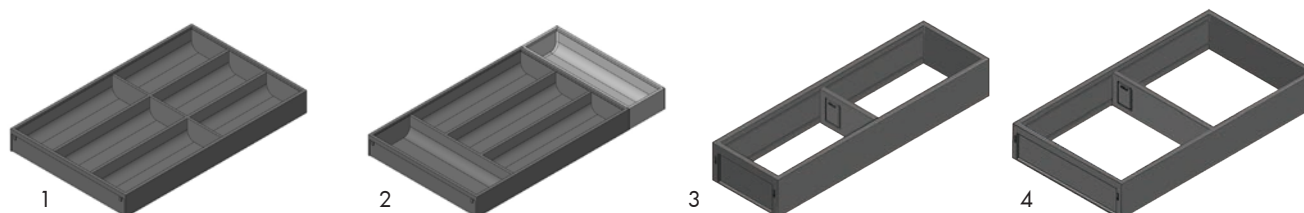
A
B
C
D
E
F
G
H
I
J
K
L
M
N
O
P
Q
R
S
T
U
V
W
X
Y

BLUM LEGRABOX AMBIA-LINE BOX DRAWER ORGANIZERS

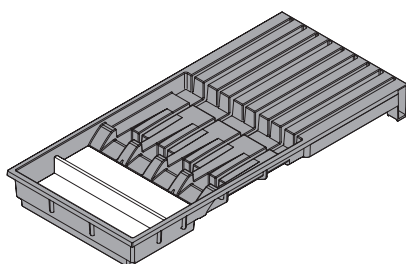
AMBIA-LINE



- Provides a clean, harmonious look and function to the interior of drawers
- Orion gray finish
- To calculate inside drawer width available: LEGRABOX - Inside cabinet width - 1-5/8" (41mm)



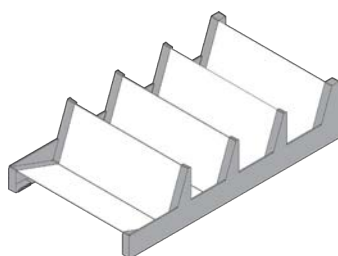
	Item #	Type	Length	Width	Height
1	BPZC7S500BS3	Flatware Insert	20" (500mm)	12" (300mm)	2" (51mm)
2	BPZC7S550BS3	Flatware Insert	22" (550mm)	12" (300mm)	2" (51mm)
3	BPZC7S500RS1	Narrow Utensil Insert	20" (500mm)	4" (100mm)	2" (51mm)
	BPZC7S550RS1	Narrow Utensil Insert	22" (550mm)	4" (100mm)	2" (51mm)
4	BPZC7S500RS2	Wide Utensil Insert	20" (500mm)	8" (200mm)	2" (51mm)
	BPZC7S550RS2	Wide Utensil Insert	22" (550mm)	8" (200mm)	2" (51mm)



Knife Holder

- Length 16-1/8" (409mm)
- Width 7-3/8" (187mm)
- Height 1-11/16" (43mm)
- Holds 9 knives
- High quality nylon and stainless steel
- Use with wide utensil insert

Item #
BPZC7M0200



Spice Tray

- Length 14" (356mm)
- Width 7-7/8" (200mm)
- Height 3-5/16" (84mm)
- Non-slip bottom
- High quality nylon and stainless steel
- Use with deep drawer insert

Item #
BPZC7G0P0I

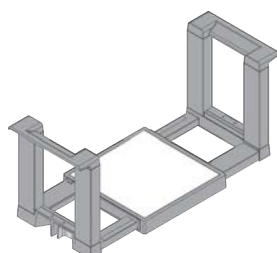
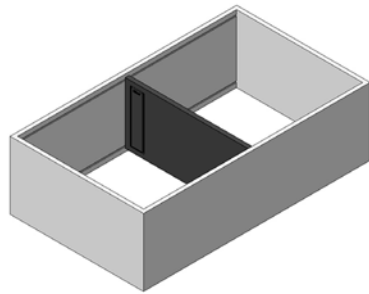


Plate Holder

- Adjustable width 7-5/16" - 12-11/16" (186mm to 322mm)
- Overall height 6-11/16" (170mm)
- Holds up to 12 plates
- Non-slip bottom
- High quality nylon and stainless steel

Item #
BPZC7T0350

BLUM LEGRABOX AMBIA-LINE BOX DRAWER ORGANIZERS



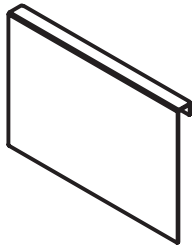
AMBIA-LINE Deep Drawer Insert

- Length 14-9/16" (370mm)
- Width 8-9/16" (218mm)
- Height 4-3/8" (111mm)
- Includes adjustable cross divider (qty 1)
- Steel frame
- For C and F Height drawers
- Magnetic back
- Non-slip rubber feet



Item #
BPZC7F400RSP

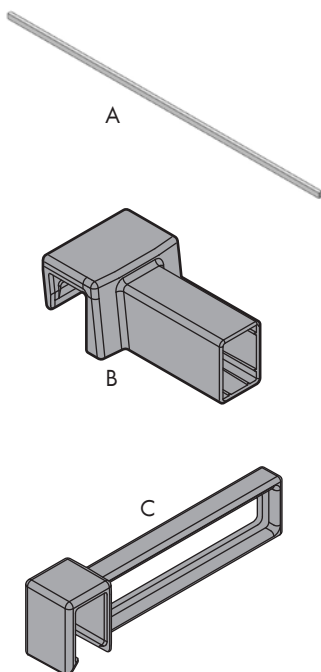
A
B
C
D
E
F
G
H
I
J
K
L
M
N
O
P
Q
R
S
T
U
V
W
X
Y



Adapter Plate

- Length 8-9/16" (218mm)
- Height 5-13/16" (148mm)
- To be used with deep drawer insert BPZC7F400RSP

Item #
BPZC7A0POC



Deep Drawer Gallery Rail

A) Cross Gallery Rail

- Length 42-1/2" (1080mm)
- Cut cross rail to size
- Inside cabinet width minus 3-17/32" (90mm)

Item #	Finish
BPZR71080U-GREY	Grey
BPZR71080U-SS	Stainless Steel

B) Connector

- 2 required per cross rail set-up (order each separately)
- Dust gray finish

Item #
BPZC7U10E0

C) Lateral Divider

- Dust gray finish

Item #
BPZC7U10F0

A
B
C
D
E
F
G
H
I
J
K
L
M
N
O
P
Q
R
S
T
U
V
W
X
Y

BLUM LEGRABOX ACCESSORIES



Side Spacer

- For spacing cabinet profiles for clearance on interior roll-out trays



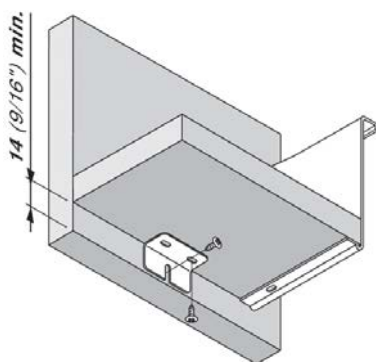
Item #
BPT593570

Lateral Stabilizer Set



- Recommended for cabinet widths from 35-7/16" - 55-1/8" (900mm to 1400mm)
- Minimum space requirement (depth) AL + 15mm (AL = Actual cabinet profile length)
- **Set Includes:**
 - Linkage rod 42-5/32" (1071mm)
 - Pinion gears (qty 2)
 - Left and right rear brackets
 - Left and right gear racks

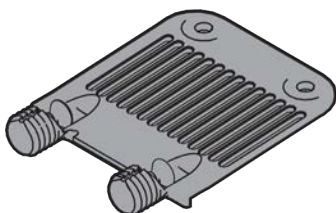
Item #	Description
BPZS7M400LU	11" - 16" (270mm - 400mm) Runner Lengths
BPZS7M650LU	18" - 26" (450mm - 650mm) Runner Lengths



Drawer Front Support Bracket

- Add-on bracket for wide drawers to keep the front tight to the drawer bottom
- Attach with 612TH screws #6 x 1/2" trusshead

Item #
BPZSB009001



Front Stabilization Bracket

- Used for stabilizing wide drawers and/or tall drawer fronts
- Reinforces the connection between the drawer bottom and the front
- One required per drawer, center on drawer bottom

Item #
BPZ9610E1

BLUM LEGRABOX ACCESSORIES



POZI Driver and Bit	
Item #	Description
BPPOZIDRIVER	#2 POZI Driver
BPPOZIBIT	#2 x 1" POZI bit insert



Wood & Euro Screws			
	Item #	Description	Box Qty
1	BP6611150HG	#6 x 11.5mm, #2 POZI	1,000
	BP6611300HG	#7 x 13mm, #2 POZI	1,000
	BP6611450HG	#7 x 14.5mm, #2 POZI	1,000
2	BP606N100	#6 X 5/8", #2 Phillips	100
	BP606N1000	#6 X 5/8", #2 Phillips	1000
	BP606P1000	#6 x 5/8", #2 POZI	1000
	BP707N100	#7 x 5/8", #2 Phillips	100
3	BP612TH100	#6 x 1/2", #2 Phillips	100

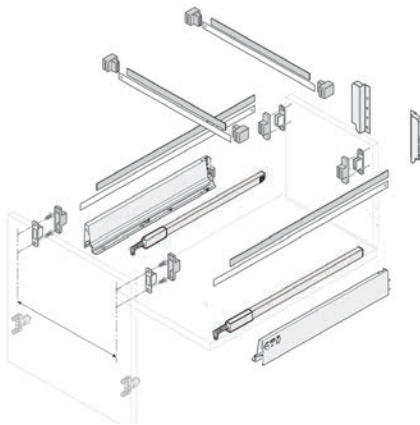


Drill Bits		
	Item #	Description
1	BPM01ZB1002R	10mm Right Hand Drill Bit for MINIPRESS/MINIDRILL
	BPM01ZB1003L	10mm Left Hand Drill Bit for MINIPRESS/MINIDRILL
2	BPM01ZB05D2R	5mm Right Hand Drill Bit for MINIPRESS/MINIDRILL
	BPM01ZB05D3L	5mm Left Hand Drill Bit for MINIPRESS/MINIDRILL
3	BPVPB5	VIX Bit for Pre-Drilling a 3mm Pilot Hole



Metafile Set

- Set makes one standard hanging file
- Recommended for use in combination with B Height drawer
- **Set Includes:**
 - Steel hanging rails (qty 4) - 1/8" x 1/2" x 21-5/8" (3mm x 13mm x 550mm)
 - Rail support brackets (qty 4)
 - Rail support covers (qty 4)
 - Glide profiles (qty 4) - length 21-5/8" (550mm)
 - Lateral brackets (qty 4)
 - Flathead wood screws (qty 8) - #6 x 3/4" (19mm)



Item #	Description
BPZRM5500	Gray Metafile Set
BPZRM5500US	Zinc Metafile Set
BPZRM5500USWH	White Metafile Set
BPZRM000310	Cream Rail Support Covers
BPZRM000310WH	White Rail Support Covers

A
B
C
D
E
F
G
H
I
J
K
L
M
N
O
P
Q
R
S
T
U
V
W
X
Y

A BLUM LEGRABOX ASSEMBLY AIDS



Cabinet Profile Template Set



- Used for pre-boring holes for drawer runners
- Also used for marking/pre-boring other Blum drawer systems, AVENTOS locating pins and hinge mounting plates

Item #	Description
BP65100001	Cabinet Profile Template*
BPDB25	2.5mm Drill Bit
BPDB6	6mm Drill Bit



*** Set includes:**

- Rail, 1 meter long
- Replacement template (qty 4)
- 2.5mm stop collar
- 5mm stop collar
- Allen wrench



Universal Individual Template

- For pre-boring drawer runners
- Also used for marking/pre-boring other Blum drawer systems, AVENTOS locating pins, hinge mounting plates, BLUMOTION adapters, and TIP-ON adapters
- Calibrated scales for accurate setting
- Set includes: Universal individual template, 2.5mm and 5mm stop collars, allen wrench

Item #
BP65105102



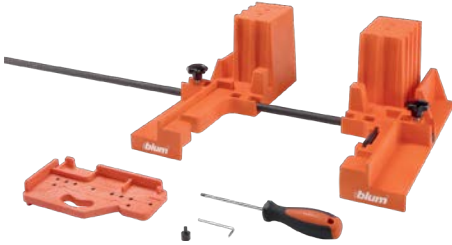
LEGRABOX Bottom Router

- For easy and precise notching of the drawer bottom
- Single phase - 220V power
- Dust collection required

Item #
BPM357200NA

BLUM LEGRABOX ASSEMBLY AIDS

A
B
C
D
E
F
G
H
I
J
K
L
M
N
O
P
Q
R
S
T
U
V
W
X
Y



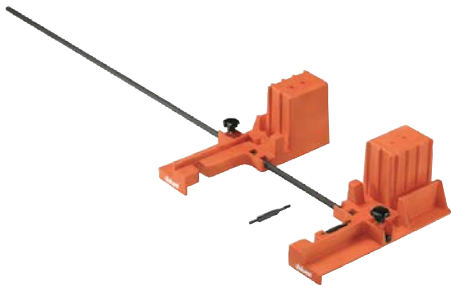
LEGRABOX Starter Kit

- For all LEGRABOX heights and lengths
- For cabinet widths 9-13/16" to 47-1/4" (250mm to 1200mm)
- For cabinet back heights up to 9-13/16" (250mm)

Set Includes:

- BOXFIX E-L
- LEGRABOX boring template
- TORX 20 screwdriver
- VIX bit

Item #
BPZMM070020



BOXFIX E-L

- For all LEGRABOX heights and lengths
- For cabinet widths 9-13/16" to 47-1/4" (250mm to 120mm)
- For cabinet back heights up to 9-13/16" (250mm)

Item #
BPZMM0700



BOXFIX P

- For all LEGRABOX heights and lengths
- One adjustable stop for drawer width included (additional stops available)
- For cabinet widths 10-13/16" to 47-1/4" (275mm to 1200mm)
- For back heights up to 13-3/4" (350mm)

Item #
BPZMM275001

A BLUM LEGRABOX ASSEMBLY AIDS

B

C

D

E

F

G

H

I

J

K

L

M

N

O

P

Q

R

S

T

U

V

W

X

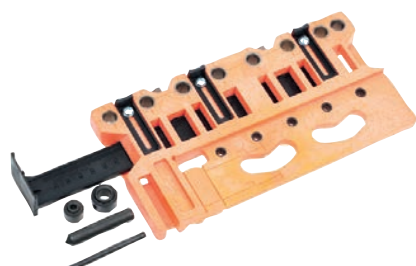
Y


LEGRABOX Boring Template

- For exact pre-boring of drawer bottom and back
- Pre-bore dimension 2.5mm x 2mm
- 2.5mm stop collar
- 2.5mm allen wrench


Item #

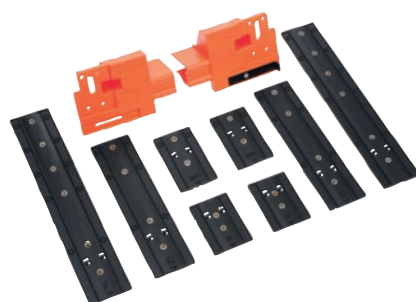
BPZML7000


Universal Boring Template

- Used for boring drawer fronts and located all fixing positions
- Used to pre-bore for drawer fronts, bottoms and backs for LEGRABOX, TANDEMBOX, METABOX drawer systems, and AVENTOS mounting plates
- **Set includes:**
 - Template
 - 5mm marking pin
 - 10mm marking pin
 - 5mm stop collar
 - 10mm stop collar

Item #

BPZML004001


Front Marking Template

- For precise marking of the front fixing bracket locations
- Accommodates LEGRABOX N, M, K, C, and F Height

Item #

BPZML3710

BLUM TANDEMBOX METAL DRAWER SYSTEMS



TANDEMBOX 2-11/16" (69mm) N Height



- Full extension drawer system with BLUMOTION
- TANDEM smooth running mechanism
- Two-dimensional drawer front adjustment
- Dynamic load capacity of 75lb

Cabinet Profile Sets

- Packed in full boxes of 10. Available any quantity.

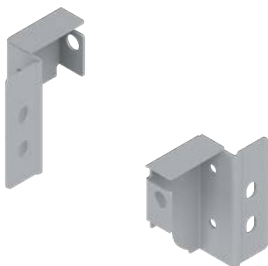
Item #	Length
BP5784001B01RL-MP	16"
BP5784501B01RL-MP	18"
BP5785001BRL-MP	20"
BP5785501BRL-MP	22"



Drawer Profile Sets

- Gray finish
- Includes cover caps
- Packed in full boxes of 6. Available any quantity.

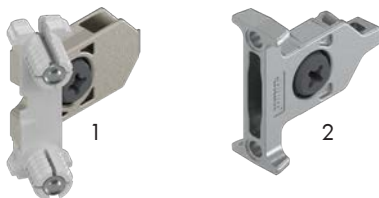
Item #	Length
BP378N4002SARL-WHA	16"
BP378N4502SARL-WHA	18"
BP378N5002SARL-WHA	20"
BP378N5502SARL-WHA	22"



Rear Fixing Bracket Set

- Includes left and right bracket
- Gray finish
- Packed in full boxes of 50. Available any quantity.

Item #
BPZ30N000S04-WHA



Front Fixing Brackets

- Two required per drawer
- For use with N and M height drawer profiles only
- Packed in full boxes of 200. Available any quantity.

	Item #	Description
1	BPZSF3902	INSERTA Front Fixing Bracket
2	BPZSF350202	Screw-On Front Fixing Bracket*

* Use of #6 x 3/4" minimum truss head screw is recommended.

A
B
C
D
E
F
G
H
I
J
K
L
M
N
O
P
Q
R
S
T
U
V
W
X
Y

A
B
C
D
E
F
G
H
I
J
K
L
M
N
O
P
Q
R
S
T
U
V
W
X
Y

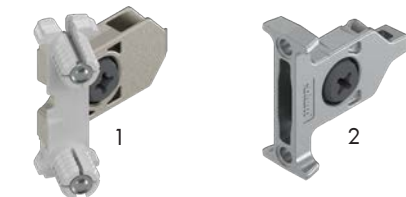
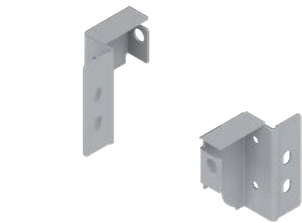
BLUM TANDEMBOX METAL DRAWER SYSTEMS



TANDEMBOX 3-5/16" (84mm) M Height



- Full extension drawer system with BLUMOTION
- TANDEM smooth running mechanism
- Two-dimensional drawer front adjustment
- Dynamic load capacities of 75lb and 150lb



Cabinet Profile Sets				
Length	75lb Item #	Box Qty	150lb Item #	Box Qty
11"	BP5782701BRL-MP	10	—	—
14"	BP5783501B01RL-MP	10	—	—
16"	BP5784001B01RL-MP	10	—	—
18"	BP5784501B01RL-MP	10	BP5764501BRL-MP	8
20"	BP5785001BRL-MP	10	BP5765001BRL-MP	8
22"	BP5785501BRL-MP	10	BP5765501BRL-MP	8
24"	-	-	BP5766001BRL-MP	6
26"	-	-	BP5766501BRL-MP	6

Drawer Profile Sets

- Gray finish
- Includes cover caps
- Packed in full boxes of 6. Available any quantity.

Item#	Length
BP378M2702SARL-WHA	11"
BP378M3502SARL-WHA	14"
BP378M4002SARL-WHA	16"
BP378M4502SARL-WHA	18"
BP378M5002SARL-WHA	20"
BP378M5502SARL-WHA	22"
BP378M6002SARL-WHA	24"
BP378M6502SARL-WHA	26"

Rear Fixing Bracket Set

- Includes left and right bracket
- Gray finish
- Packed in full boxes of 50. Available any quantity.

Item #
BPZ30N000S04-WHA

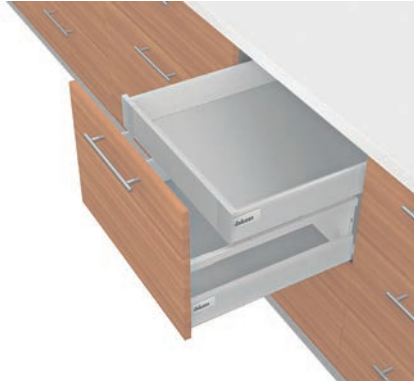
Front Fixing Brackets

- Two required per drawer
- For use with N and M height drawer profiles only
- Packed in full boxes of 200. Available any quantity.

	Item #	Description
1	BPZSF3902	INSERTA Front Fixing Bracket
2	BPZSF350202	Screw-On Front Fixing Bracket*

* Use of #6 x 3/4" minimum truss head screw is recommended

BLUM TANDEMBOX METAL DRAWER SYSTEMS



TANDEMBOX 3-5/16" (84mm) M Height with Single Gallery Interior Roll-out



- Full extension drawer system with BLUMOTION
- TANDEM smooth running mechanism
- Two-dimensional drawer front adjustment
- Dynamic load capacities of 75lb and 150lb



Cabinet Profile Sets				
Length	75lb Item #	Box Qty	150lb Item #	Box Qty
11"	BP5782701BRL-MP	10	—	—
14"	BP5783501B01RL-MP	10	—	—
16"	BP5784001B01RL-MP	10	—	—
18"	BP5784501B01RL-MP	10	BP5764501BRL-MP	8
20"	BP5785001BRL-MP	10	BP5765001BRL-MP	8
22"	BP5785501BRL-MP	10	BP5765501BRL-MP	8
24"	—	—	BP5766001BRL-MP	6
26"	—	—	BP5766501BRL-MP	6

Drawer Profile Sets

- Gray finish
- Includes cover caps
- Packed in full boxes of 6. Available any quantity.



Item#	Length
BP378M2702SARL-WHA	11"
BP378M3502SARL-WHA	14"
BP378M4002SARL-WHA	16"
BP378M4502SARL-WHA	18"
BP378M5002SARL-WHA	20"
BP378M5502SARL-WHA	22"
BP378M6002SARL-WHA	24"
BP378M6502SARL-WHA	26"

Front Piece

- Length 40-13/16" (1036mm), cut to size
- Gray finish

Item#
BPZ31L1036A



Interior Front Handle

- Dust gray finish

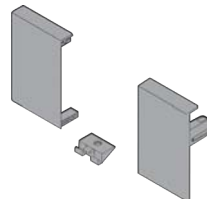
Item #
BPZIF80M5-GRY



Front Fixing Bracket Set - Nylon

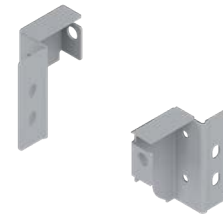
- Set includes: Left and right bracket, bottom support
- Gray finish

Item #
BPZIF71M0-GRAY



Rear Fixing Bracket Set

- Includes left and right bracket
- Gray finish
- Packed in full boxes of 50. Available any quantity.



Item #
BPZ30N000S04-WHA

Interior Front Handle with Latch

- Dust gray finish

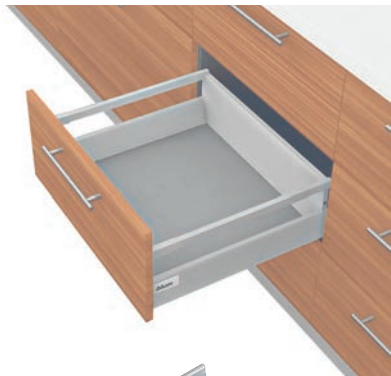
Item #
BPZIF80M7-GRY



A
B
C
D
E
F
G
H
I
J
K
L
M
N
O
P
Q
R
S
T
U
V
W
X
Y

A
B
C
D
E
F
G
H
I
J
K
L
M
N
O
P
Q
R
S
T
U
V
W
X
Y

BLUM TANDEMBOX METAL DRAWER SYSTEMS



TANDEMBOX 5-3/4" (146mm) B Height with Single Gallery



- Full extension drawer system with BLUMOTION
- TANDEM smooth running mechanism
- Three-dimensional drawer front adjustment
- Dynamic load capacities of 75lb and 150lb

Cabinet Profile Sets				
Length	75lb Item #	Box Qty	150lb Item #	Box Qty
16"	BP5784001B01RL-MP	10	—	—
18"	BP5784501B01RL-MP	10	BP5764501BRL-MP	8
20"	BP5785001BRL-MP	10	BP5765001BRL-MP	8
22"	BP5785701BRL-MP	10	BP5765701BRL-MP	8
24"	—	—	BP5766001BRL-MP	6
26"	—	—	BP5766501BRL-MP	6

Drawer Profile Sets

- Gray finish
- Includes cover caps
- Packed in full boxes of 6. Available any quantity.



Item#	Length
BP378M4002SARL-WHA	16"
BP378M4502SARL-WHA	18"
BP378M5002SARL-WHA	20"
BP378M5502SARL-WHA	22"
BP378M6002SARL-WHA	24"
BP378M6502SARL-WHA	26"

Front Fixing Brackets

- Two required per drawer
- For use with N and M height drawer profiles only
- Packed in full boxes of 200. Available any quantity.

* Use of #6 x 3/4" minimum truss head screw is recommended



	Item #	Description
1	BPZSF3902	INSERTA Front Fixing Bracket
2	BPZSF350202	Screw-On Front Fixing Bracket*

Top Gallery Rail

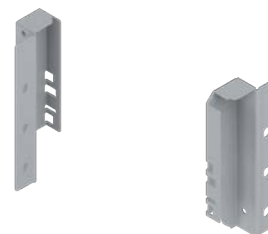
- Left and right gallery rail



Item #	Length
BPZRG337RSIC	16"
BPZRG387RSIC	18"
BPZRG437RSIC	20"
BPZRG487RSIC	22"
BPZRG537RSIC	24"
BPZRG587RSIC	26"

Rear Fixing Brackets

- Left and right bracket
- Gray finish
- Packed in full boxes of 30. Available any quantity.



Item #
BPZ30B000S04-WHA

BLUM TANDEMBOX METAL DRAWER SYSTEMS

A
B
C
D
E
F
G
H
I
J
K
L
M
N
O
P
Q
R
S
T
U
V
W
X
Y

TANDEMBOX 8-1/8" (207mm) D Height with Single Gallery



- Full extension drawer system with BLUMOTION
- TANDEM smooth running mechanism
- Three-dimensional drawer front adjustment
- Dynamic load capacities of 75lb and 150lb



Cabinet Profile Sets

Length	75lb Item #	Box Qty	150lb Item #	Box Qty
16"	BP5784001B01RL-MP	10	—	—
18"	BP5784501B01RL-MP	10	BP5764501BRL-MP	8
20"	BP5785001BRL-MP	10	BP5765001BRL-MP	8
22"	BP5785701BRL-MP	10	BP5765701BRL-MP	8
24"	—		BP5766001BRL-MP	6
26"	—		BP5766501BRL-MP	6

Drawer Profile Sets

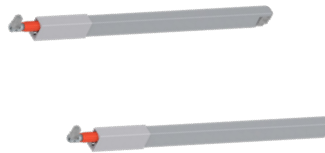
- Gray finish
- Includes cover caps
- Packed in full boxes of 6. Available any quantity.



Item#	Length
BP378M4002SARL-WHA	16"
BP378M4502SARL-WHA	18"
BP378M5002SARL-WHA	20"
BP378M5502SARL-WHA	22"
BP378M6002SARL-WHA	24"
BP378M6502SARL-WHA	26"

Top Gallery Rail

- Left and right gallery rail



Item #	Length
BPZRG337RSIC	16"
BPZRG387RSIC	18"
BPZRG437RSIC	20"
BPZRG487RSIC	22"
BPZRG537RSIC	24"
BPZRG587RSIC	26"

Front Fixing Brackets

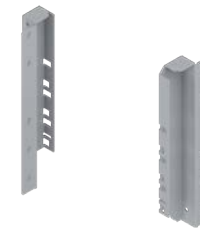
- Two required per drawer
- For use with N and M height drawer profiles only
- Packed in full boxes of 200. Available any quantity.

	Item #	Description
1	BPZSF3902	INSERTA Front Fixing Bracket
2	BPZSF350202	Screw-On Front Fixing Bracket*

* Use of #6 x 3/4" minimum truss head screw is recommended

Rear Fixing Brackets

- Left and right bracket
- Gray finish
- Packed in full boxes of 50. Available any quantity.



Item #
BPZ30D000SL



A
B
C
D
E
F
G
H
I
J
K
L
M
N
O
P
Q
R
S
T
U
V
W
X
Y

BLUM TANDEMBOX METAL DRAWER SYSTEMS



TANDEMBOX 8-1/8" (207mm) D Height with Single Gallery Interior Roll-out



- Full extension drawer system with BLUMOTION
- TANDEM smooth running mechanism
- Three-dimensional drawer front adjustment
- Dynamic load capacities of 75lb and 150lb

Cabinet Profile Sets				
Length	75lb Item #	Box Qty	150lb Item #	Box Qty
16"	BP5784001B01RL-MP	10	—	—
18"	BP5784501B01RL-MP	10	BP5764501BRL-MP	8
20"	BP5785001BRL-MP	10	BP5765001BRL-MP	8
22"	BP5785701BRL-MP	10	BP5765701BRL-MP	8
24"	—		BP5766001BRL-MP	6
26"	—		BP5766501BRL-MP	6

Drawer Profile Sets

- Gray finish
- Includes cover caps
- Packed in full boxes of 6. Available any qty.



Item#	Length
BP378M4002SARL-WHA	16"
BP378M4502SARL-WHA	18"
BP378M5002SARL-WHA	20"
BP378M5502SARL-WHA	22"
BP378M6002SARL-WHA	24"
BP378M6502SARL-WHA	26"

Top Gallery Rail

- Left and right gallery rail

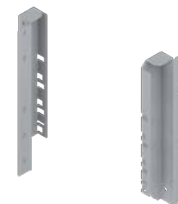


Item #	Length
BPZRG337RSIC	16"
BPZRG387RSIC	18"
BPZRG437RSIC	20"
BPZRG487RSIC	22"
BPZRG537RSIC	24"
BPZRG587RSIC	26"

Rear Fixing Brackets

- Left and right bracket
- Gray finish
- Packed in full boxes of 50. Available any quantity.

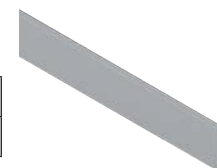
Item #
BPZ30D000SL



Front Piece

- Length 40-13/16" (1036mm), cut to size
- Gray finish

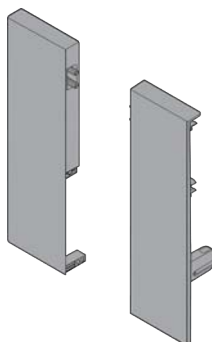
Item#
BPZ31L1036A



Front Fixing Bracket Set - Nylon

- Set includes: left and right bracket, bottom support
- Gray finish

Item #
BPZIF75DOUS-GRAY



Cross Rail

- Length 41-3/16" (1046mm), cut to size
- Gray finish

Item#
BPZRG1046Z



BLUM TANDEMBOX METAL DRAWER SYSTEMS

TANDEMBOX 8-1/8" (207mm) D Height with Double Gallery



- Full extension drawer system with BLUMOTION
- TANDEM smooth running mechanism
- Three-dimensional drawer front adjustment
- Dynamic load capacities of 75lb and 150lb



Cabinet Profile Sets

Length	75lb Item #	Box Qty	150lb Item #	Box Qty
16"	BP5784001B01RL-MP	10	—	—
18"	BP5784501B01RL-MP	10	BP5764501BRL-MP	8
20"	BP5785001BRL-MP	10	BP5765001BRL-MP	8
22"	BP5785701BRL-MP	10	BP5765701BRL-MP	8

Drawer Profile Sets

- Gray finish
- Includes cover caps
- Packed in full boxes of 6. Available any quantity.



Item#	Length
BP378M4002SARL-WHA	16"
BP378M4502SARL-WHA	18"
BP378M5002SARL-WHA	20"
BP378M5502SARL-WHA	22"

Top Gallery Rail

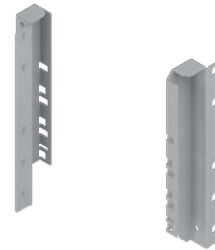
- Left and right gallery rail



Item #	Length
BPZRG337RSIC	16"
BPZRG387RSIC	18"
BPZRG437RSIC	20"
BPZRG487RSIC	22"
BPZRG537RSIC	24"
BPZRG587RSIC	26"

Rear Fixing Brackets

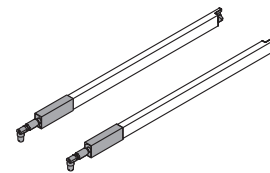
- Left and right bracket
- Gray finish
- Packed in full boxes of 50. Available any quantity.



Item #
BPZ30D000SL

Center Gallery Rail

- Left and right gallery rail

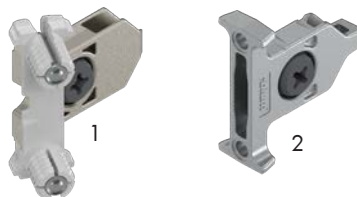


Item#	Length
BPZRG337RSIE	16"
BPZRG387RSIE	18"
BPZRG437RSIE	20"
BPZRG487RSIE	22"

Front Fixing Brackets

- Two required per drawer
- For use with N and M height drawer profiles only
- Packed in full boxes of 200. Available any quantity.

	Item #	Description
1	BPZSF3902	INSERTA Front Fixing Bracket
2	BPZSF350202	Screw-On Front Fixing Bracket*

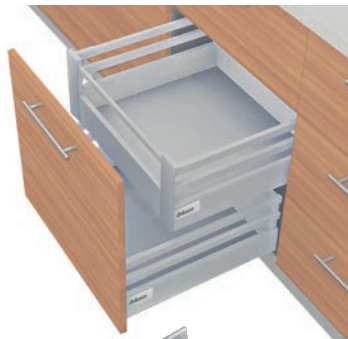


* Use of #6 x 3/4" minimum truss head screw is recommended

A
B
C
D
E
F
G
H
I
J
K
L
M
N
O
P
Q
R
S
T
U
V
W
X
Y

A
B
C
D
E
F
G
H
I
J
K
L
M
N
O
P
Q
R
S
T
U
V
W
X
Y

BLUM TANDEMBOX METAL DRAWER SYSTEMS



TANDEMBOX 8-1/8" (207mm) D Height with Double Gallery Interior Roll-out



- Full extension drawer system with BLUMOTION
- TANDEM smooth running mechanism
- Three-dimensional drawer front adjustment
- Dynamic load capacities of 75lb and 150lb



Cabinet Profile Sets				
Length	75lb Item #	Box Qty	150lb Item #	Box Qty
16"	BP5784001B01RL-MP	10	—	—
18"	BP5784501B01RL-MP	10	BP5764501BRL-MP	8
20"	BP5785001BRL-MP	10	BP5765001BRL-MP	8
22"	BP5785701BRL-MP	10	BP5765701BRL-MP	8

Drawer Profile Sets

- Gray finish
- Includes cover caps
- Packed in full boxes of 6. Available any quantity.

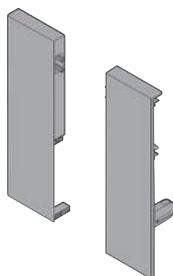


Item#	Length
BP378M4002SARL-WHA	16"
BP378M4502SARL-WHA	18"
BP378M5002SARL-WHA	20"
BP378M5502SARL-WHA	22"

Front Fixing Bracket Set - Nylon

- Set includes: left and right bracket, bottom support
- Gray finish

Item #
BPZIF75DOUS-GRAY



Top Gallery Rail

- Left and right gallery rail



Item #	Length
BPZRG337RSIC	16"
BPZRG387RSIC	18"
BPZRG437RSIC	20"
BPZRG487RSIC	22"
BPZRG537RSIC	24"
BPZRG587RSIC	26"

Front Piece

- Length 40-13/16" (1036mm), cut to size
- Gray finish

Item#
BPZ31L1036A



Cross Rail

- Length 41-3/16" (1046mm), cut to size
- Gray finish

Item#
BPZRG1046Z



Rear Fixing Brackets

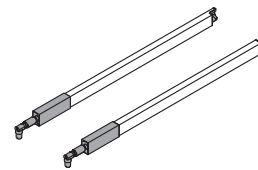
- Left and right bracket
- Gray finish
- Packed in full boxes of 50. Available any quantity.



Item #
BPZ30D000SL

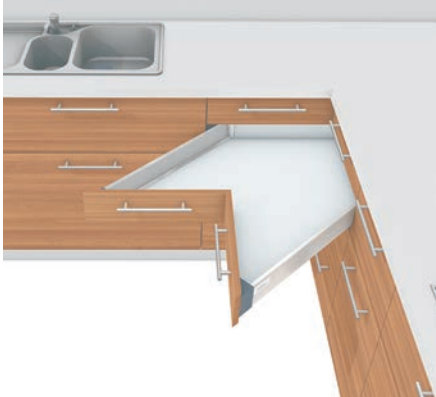
Center Gallery Rail

- Left and right gallery rail



Item#	Length
BPZRG337RSIE	16"
BPZRG387RSIE	18"
BPZRG437RSIE	20"
BPZRG487RSIE	22"

BLUM TANDEMBOX METAL DRAWER SYSTEMS



TANDEMBOX SPACE CORNER M Height

- Full extension drawer system with BLUMOTION
- TANDEM smooth running mechanism
- Two-dimensional drawer front adjustment
- Dynamic load capacities of 150lb



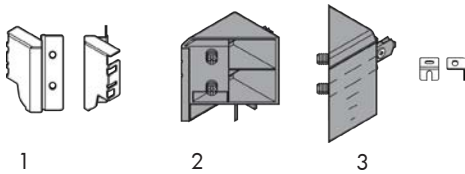
Cabinet Profile Sets	
150lb Item #	Box Qty
BP5766001BRL-MP	6
BP5766501BRL-MP	6

Drawer Profile Sets

- Gray finish
- Includes cover caps
- Packed in full boxes of 6.
Available any quantity.



Item#	Length
BP378M6002SARL-WHA	24"
BP378M6502SARL-WHA	26"



Space Corner Set - M Height

• Set Includes:

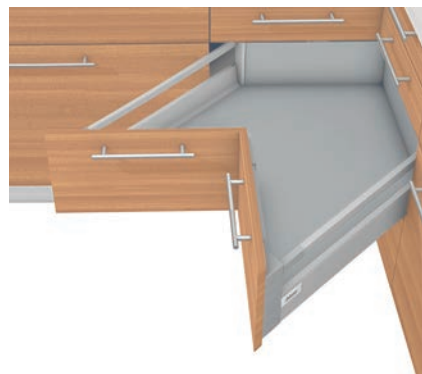
- 1) Corner rear fixing bracket (qty 2)
- 2) Corner front piece (gray only) (qty 2)
- 3) Drawer front support bracket (qty 2)

Item #
BPZSF340EM1-GRY

A
B
C
D
E
F
G
H
I
J
K
L
M
N
O
P
Q
R
S
T
U
V
W
X
Y

A
B
C
D
E
F
G
H
I
J
K
L
M
N
O
P
Q
R
S
T
U
V
W
X
Y

BLUM TANDEMBOX METAL DRAWER SYSTEMS



TANDEMBOX SPACE CORNER D-Height with Single Gallery



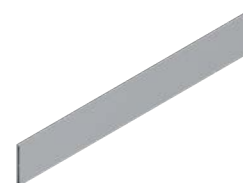
- Full extension drawer system with BLUMOTION
- TANDEM smooth running mechanism
- Three-dimensional drawer front adjustment
- Dynamic load capacities of 150lb

Cabinet Profile Sets	
150lb Item #	Box Qty
BP5766001BRL-MP	6
BP5766501BRL-MP	6



Metal Design Element

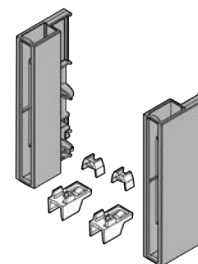
- Two required per drawer
- Gray finish



Item #
BPZ37A617D

Gallery Bracket Set

- Set Includes:
 - 1) Left and right rear brackets
 - 2) Front fixing clips (qty 4)
- Gray finish



Item #
BPZ36D0080



Drawer Profile Sets

- Gray finish
- Includes cover caps
- Packed in full boxes of 6. Available any quantity.

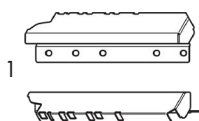
Item#	Length
BP378M6002SARL-WHA	24"
BP378M6502SARL-WHA	26"



Top Gallery Rail

- Left and right gallery rail

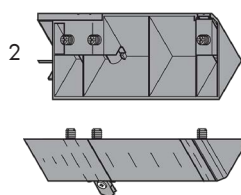
Item #	Length
BPZRG537RSIC	24"
BPZRG587RSIC	26"



Space Corner Set - D Height

• Set includes:

- 1) Corner rear fixing bracket (qty 2)
- 2) Corner front piece (gray only) (qty 2)
- 3) Drawer front support bracket (qty 2)



Item #
BPZSF345ED1



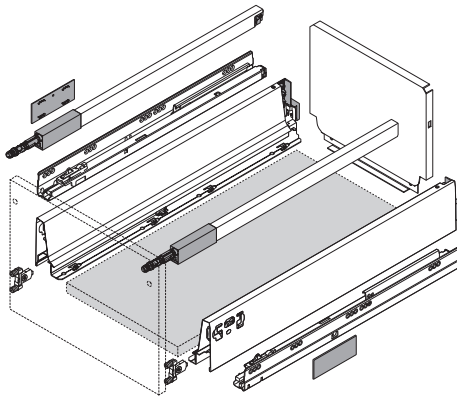
BLUM TANDEMBOX METAL DRAWER SYSTEMS



TANDEMBOX Waste/Recycle Set with SERVO-DRIVE



- Pre-assembled bottom mount solution
- TANDEMBOX heavy duty full extension drawer system
- For 12", 15" and 18" minimum opening widths
- For face frame and frameless applications
- Three-dimensional drawer front adjustment
- Maximum 1/4" (4mm) cabinet bottom recess
- TANDEM smooth running action
- 175 lb static, 150 lb dynamic load rating
- SERVO-DRIVE touch-to-open feature



TANDEMBOX Waste/Recycle Set		
Item #	Description	Drawer Length
BP356M55B7SAB-W	For 12" minimum opening width	21-5/8" (550mm)
BP356M55B7SAD-W	For 15" minimum opening width	21-5/8" (550mm)
BP356M55B7SAF-W	For 18" minimum opening width	21-5/8" (550mm)

Set Includes:

- TANDEMBOX heavy duty runner set with pre-mounted #6 x 3/4" wood screws for installation (qty 8)
- Pre-assembled silk white TANDEMBOX drawer
- Installation template and instructions
- #6 x 5/8" wood screws for attachment to drawer front (qty 10)
- TANDEMBOX cover caps (qty 2)

SERVO-DRIVE Waste/Recycle Set



Set Includes:

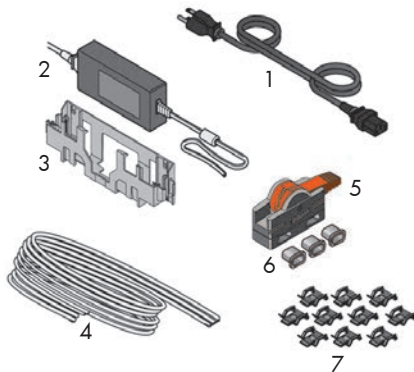
- Drive unit (pre-attached)
 - Double bottom bracket with #6 x 1" wood screws (qty 2)
 - Cable clips (qty 4)
 - Adapter plate
 - INSERTA cable connector
 - Screw-on distance bumpers (qty 4) with #6 x 5/8" wood screws for installation (qty 8)
 - 110 volt plug-in power supply with six feet of universal cable
 - Cable end protectors (qty 2)
- Installation template, instructions, and user manual

Item #
BPZ10NA30UGUS

A
B
C
D
E
F
G
H
I
J
K
L
M
N
O
P
Q
R
S
T
U
V
W
X
Y

A
B
C
D
E
F
G
H
I
J
K
L
M
N
O
P
Q
R
S
T
U
V
W
X
Y

BLUM SERVO-DRIVE FOR TANDEMBOX



Power Supply Set

- Supplies power to the drive units
- Set Includes:
 - 1) 19 ft universal cable
 - 2) 24 watt power supply
 - 3) Wall mount bracket
 - 4) Three-prong cord
 - 5) INSERTA cable connector
 - 6) Cable end protectors (qty 3)
 - 7) Cable clips (qty 10)

Also includes installation template, instructions, and user manual

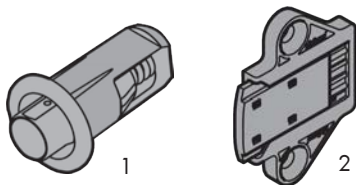
Item #
BPZ10NE03UG10



Drive Unit

- Nylon
- Dust gray finish

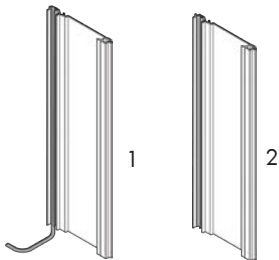
Item #
BPZ10A300003



Distance Bumpers

- Provides 1/8" (3mm) gap

	Item #	Description
1	BP9930531	5mm Bumper
2	BP9931220	Screw-on Bumper



Vertical Aluminum Profile

- Can be cut to size

	Item #	Description
1	BPZ10T720AB	Profile with cable, length 28-3/8" (720mm) - cable length 31-1/2" (800mm)
2	BPZ10T1170A	Profile without cable, length 46" (1170mm)



Top and Bottom Adapter Set

- For use with horizontal stretcher rail

Item #
BPZ10D01E001



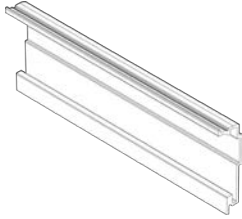
Back and Bottom Adapter Set

- For use with back stretcher rail

Item #
BPZ10D01EA01

BLUM SERVO-DRIVE FOR TANDEMBOX

A
B
C
D
E
F
G
H
I
J
K
L
M
N
O
P
Q
R
S
T
U
V
W
X
Y

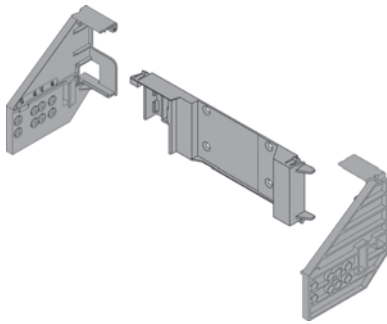


Horizontal Aluminum Profile

- Profile length 45" (1143mm) cut to size



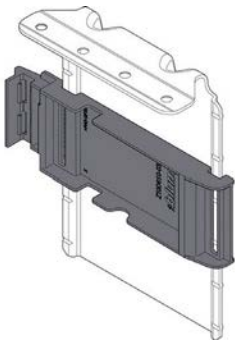
Item #
BPZ10T1143B



Adapter Set for Horizontal Profile, Face Frame

- Set Includes:
 - TANDEM adapters (left and right)
 - Profile adapter
 - Installation screws 661.1150.HG (qty 4)
 - Installation instructions

Item #
BPZ10D5800US



Top Bracket with Adapter

Item #
BPZ10D6252



Bottom Bracket

- 31-1/2" (800mm) universal cable is included

Item #
BPZ10D7201

A
B
C
D
E
F
G
H
I
J
K
L
M
N
O
P
Q
R
S
T
U
V
W
X
Y

BLUM SERVO-DRIVE FOR TANDEMBOX



SERVO-DRIVE Waste/Recycle Set



- Set Includes:
 - Drive unit (pre-attached)
 - Double bottom bracket with #6 x 1" wood screws (qty 2)
 - Cable clips (qty 4)
 - Adapter plate
 - INSERTA cable connector
 - Screw-on distance bumpers (qty 4) with #6 x 5/8" wood screws for installation (qty 8)
 - 110 volt plug-in power supply with six feet of universal cable
 - Cable end protectors (qty 2)
- Installation template, instructions, and user manual

Item #
BPZ10NA30UGUS



BLUM SERVO-DRIVE FOR TANDEMBOX

A
B
C
D
E
F
G
H
I
J
K
L
M
N
O
P
Q
R
S
T
U
V
W
X
Y

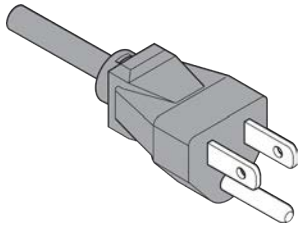


SERVO-DRIVE Power Supply

- Supplies power to the drive units
- Energy Star Level VI
- UL Certified
- Can power up to 50 drive units
- Connect to switched GFCI outlet
- 6' cable length
- Three-prong power cord required



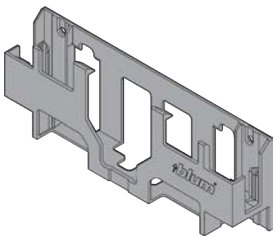
Item #
BPZ10NE030G



Power Cord with Three-Prong Plug

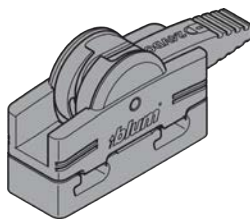
- Must be plugged into a switched GFCI outlet

Item #
BPZ10M200U



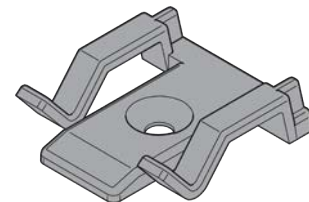
Wall Mount Bracket for Power Supply

Item #
BPZ10NG120



Inserta Cable Connector

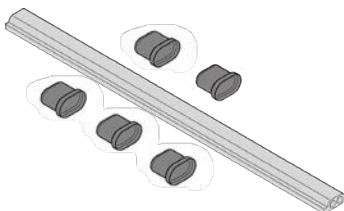
Item #
BPZ10V100001



Cable Clip

- Adhesive back and/or screw-on

Item #
BPZ10K0009



Universal Cable

- 26 ft length with five cable end protectors

Item #
BPZ10K800AE



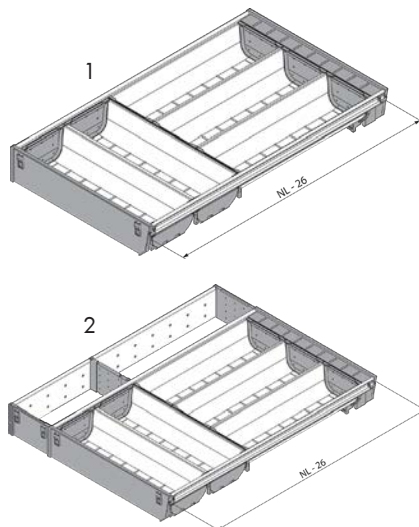
Synchronization Cables

Item #	Description
BPZ10K008S	3" (80mm) synchronization cable
BPZ10K120S	4' (1200mm) synchronization cable

A
B
C
D
E
F
G
H
I
J
K
L
M
N
O
P
Q
R
S
T
U
V
W
X
Y

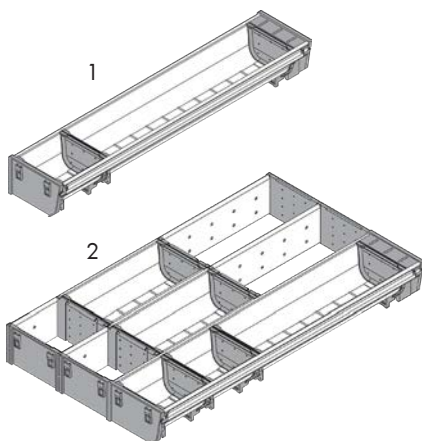
BLUM TANDEMBOX ORGA-LINE

TANDEMBOX ORGA-LINE

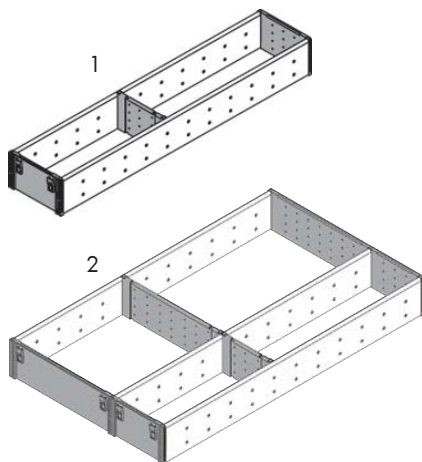


- Adjustable organization solution for TANDEMBOX that can be customized to fit individual needs
- Removable trays are made of high quality nylon and stainless steel
- Dishwasher safe up to 170°F

Flatware				
	Item #	Length	Width	Height
1	BPZSI500BI3A	20"	11" (280mm)	2-1/2" (64mm)
	BPZSI550BI3A	22"	11" (280mm)	2-1/2" (64mm)
2	BPZSI500KI4A	20"	14-13/16" (377mm)	2-1/2" (64mm)
	BPZSI550KI4A	22"	14-13/16" (377mm)	2-1/2" (64mm)



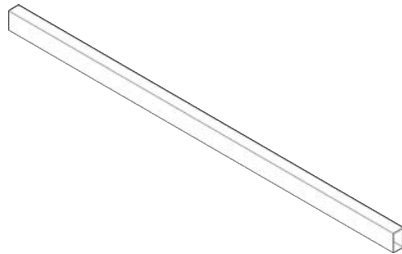
Odds & Ends				
	Item #	Length	Width	Height
1	BPZSI500BI1N	20"	4-1/16" (103mm)	2-1/2" (64mm)
	BPZSI550BI1N	22"	4-1/16" (103mm)	2-1/2" (64mm)
2	BPZSI500MI3	20"	11-11/16" (297mm)	2-1/2" (64mm)
	BPZSI550MI3	22"	11-11/16" (297mm)	2-1/2" (64mm)



Utensils				
	Item #	Length	Width	Height
1	BPZSI500FI1	20"	4-1/8" (105mm)	2-1/2" (64mm)
	BPZSI550FI1	22"	4-1/8" (105mm)	2-1/2" (64mm)
2	BPZSI500FI3	20"	11-7/16" (291mm)	2-1/2" (64mm)
	BPZSI550FI3	22"	11-7/16" (291mm)	2-1/2" (64mm)

BLUM TANDEMBOX ORGA-LINE ACCESSORIES

B or D Height TANDEMBOX with Gallery Rails

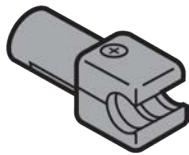


Cross Gallery Rail Divider

- Length 44-1/32" (1118mm)
- Opening width minus 2-1/2" (63mm)
- Gray finish

Item #

BPZRG1118Q-GRY

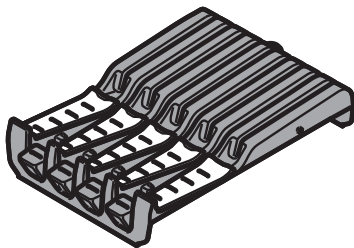
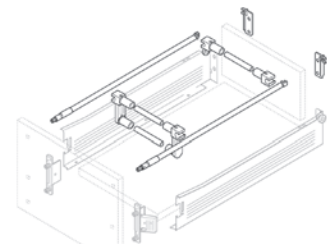


Cross Gallery Rail Connector

- Two required
- Gray finish

Item #

BPZRU00E001DG

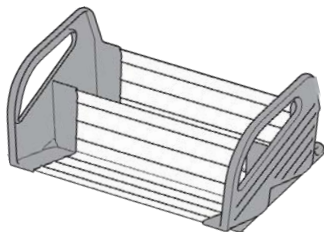


ORGA-LINE Knife Holder

- Length 11" (280mm)
- Width 7-1/8" (180mm)
- Holds up to nine knives of different sizes
- High quality nylon and stainless steel
- Dishwasher safe up to 170°F
- Handle support (qty 4)

Item #

BPZSZ02M0

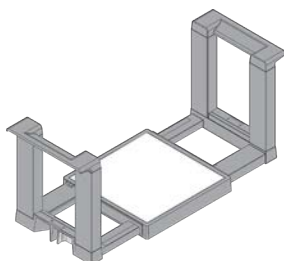


ORGA-LINE Spice Tray

- Width 11-1/8" (282mm) - Inside storage width 10-1/4" (260mm)
- Height 4-3/4" (121mm)
- Easy removal from drawer
- High quality nylon and stainless steel
- Set includes two trays and four feet

Item #

BPZSF38G01



ORGA-LINE Plate Holder

- Adjustable width 7-5/16" to 12-11/16" (186mm to 322mm)
- Overall height 6-11/16" (170mm)
- Holds up to 12 plates
- Non-slip bottom
- High quality nylon and stainless steel

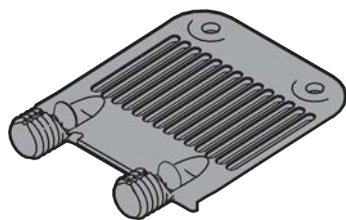
Item #

BPZC7T0350

A
B
C
D
E
F
G
H
I
J
K
L
M
N
O
P
Q
R
S
T
U
V
W
X
Y

A
B
C
D
E
F
G
H
I
J
K
L
M
N
O
P
Q
R
S
T
U
V
W
X
Y

BLUM TANDEMBOX ACCESSORIES



Front Stabilization Bracket



- Used for stabilizing wide drawers and/or tall drawer fronts
- Reinforces the connection between the drawer bottom and the front
- One required per drawer, center on drawer bottom
- Packaged in full boxes of 250. Available any quantity.

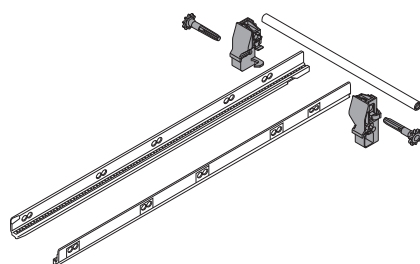
Item #
BPZ9610E1



Side Spacer

- For spacing TANDEM runners from the cabinet side for clearance in interior roll-out applications
- 1" thick
- Packaged in full boxes of 100. Available any quantity.

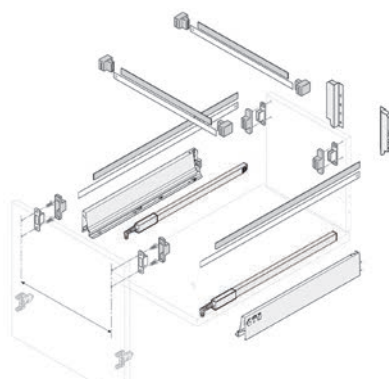
Item #
BPT593570



Lateral Stabilizer Set

- Recommended for cabinets 35" to 47" (900mm to 1200mm) wide
- Set Includes:
 - Linkage rod, 42-3/8" (1076mm) cut to size
 - Pinion gears (qty 2)
 - Rear brackets, left and right
 - Gear racks, left and right

Item #	Length
BPZST500BA	20"
BPZST550BA	22"



Metafile Set

- Set makes one standard hanging file
- Recommended for use in combination with B Height drawer
- Set Includes:
 - Steel hanging rails (qty 4) - 1/8" x 1/2" x 21-5/8" (3mm x 13mm x 550mm)
 - Rail support brackets (qty 4)
 - Rail support covers (qty 4)
 - Glide profiles (qty 4) - length 21-5/8" (550mm)

Item #	Description
BPZRM5500	Gray Metafile Set
BPZRM5500US	Zinc Metafile Set
BPZRM5500USWH	White Metafile Set
BPZRM000310	Cream Rail Support Covers
BPZRM000310WH	White Rail Support Covers

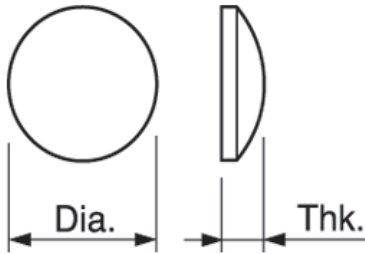
BLUM TANDEMBOX ACCESSORIES



POZI Driver and Bit



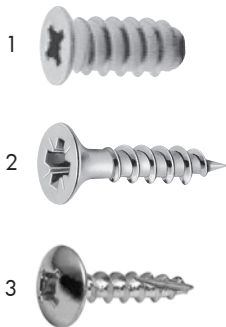
Item #	Description
BPPOZIDRIVER	#2 POZI Driver
BPPOZIBIT	#2 x 1" POZI bit insert



Bumpers

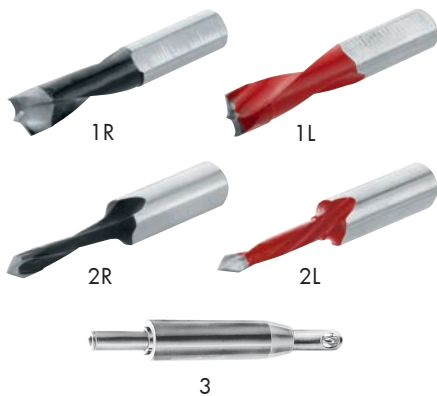
- Cushions door closing
- Clear with a self-adhesive back
- Sold in full boxes of 5,400 only.

Item #	Description
BPFX4041	9/32" (7.5mm) X 3/32" (2mm)



Wood & Euro Screws

	Item #	Description	Box Qty
1	BP6611150HG	#6 x 11.5mm, #2 POZI	1,000
	BP6611300HG	#7 x 13mm, #2 POZI	1,000
	BP6611450HG	#7 x 14.5mm, #2 POZI	1,000
2	BP606N100	#6 X 5/8", #2 Phillips	100
	BP606N1000	#6 X 5/8", #2 Phillips	1000
	BP606P1000	#6 x 5/8", #2 POZI	1000
	BP707N100	#7 x 5/8", #2 Phillips	100
3	BP612TH100	#6 x 1/2", #2 Phillips	100



Drill Bits

	Item #	Description
1R	BPM01ZB1002R	10mm Right Hand Drill Bit for MINIPRESS/MINIDRILL
1L	BPM01ZB1003L	10mm Left Hand Drill Bit for MINIPRESS/MINIDRILL
2R	BPM01ZB05D2R	5mm Right Hand Drill Bit for MINIPRESS/MINIDRILL
2L	BPM01ZB05D3L	5mm Left Hand Drill Bit for MINIPRESS/MINIDRILL
3	BPVPB5	VIX Bit for Pre-Drilling a 3mm Pilot Hole

A
B
C
D
E
F
G
H
I
J
K
L
M
N
O
P
Q
R
S
T
U
V
W
X
Y

A TANDEMBOX ASSEMBLY AIDS

Cabinet Profile Template

- Used for pre-boring holes for LEGRABOX, TANDEMBOX, and TANDEM drawer runners
- Can also be used to pre-bore AVENTOS locating pins and pre-boring for hinge mounting plates

Set Includes:

- Rail, 1 meter long (qty 1)
- 2.5mm stop collar (qty 1)
- 5mm stop collar (qty 1)
- Replacement template (qty 4)
- Allen wrench (qty 1)

Item #	Description
BP65100001	Cabinet Profile Template
BPDB25	2.5mm Drill Bit



blum[®]

Universal Individual Template

- Used for pre-boring holes for LEGRABOX, TANDEMBOX, and TANDEM drawer runners
- Can also be used to pre-bore for AVENTOS locating pins and pre-boring for hinge mounting plates
- Calibrated scales for accurate setting
- Set includes: Universal individual template, 2.5mm and 5mm stop collars, allen wrench

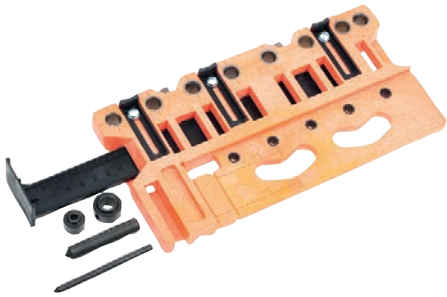
Item #
BP65105102



blum[®]

TANDEMBOX ASSEMBLY AIDS

A
B
C
D
E
F
G
H
I
J
K
L
M
N
O
P
Q
R
S
T
U
V
W
X
Y



Universal Boring Template

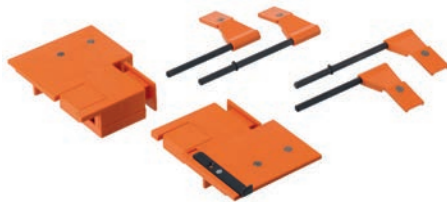


- Used for boring drawer fronts and located all fixing positions
- Used to pre-bore for drawer fronts, bottoms and backs for LEGRABOX, TANDEMBOX, METABOX drawer systems, and AVENTOS mounting plates

Set Includes:

- Template
- 5mm marking pin
- 10mm marking pin
- 5mm stop collar
- 10mm stop collar

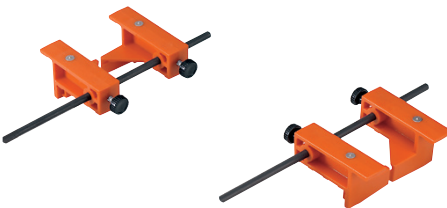
Item #
BPZML004001



TANDEMBOX Front Marking Templates

- Used for marking front fixing locations
- TANDEMBOX 37XM/L drawer profiles
- Includes marking template (left and right), marking flag for 37XL drawer profile (left and right)

Item #
BPZML358001



TANDEMBOX Gallery Marking Template

- Can be used for gallery locations
- Includes marking template (left and right)

Item #
BPZML3600



BOXFIX P

Using the BOXFIX P you can assemble TANDEMBOX and LEGRABOX faster than ever. Its easy setup, pneumatic clamps, and comfortable work height all contribute to faster, more efficient assembly.

- For all LEGRABOX and TANDEMBOX heights and lengths
- One adjustable stop for drawer width included (additional stops available)
- For cabinet widths 10-13/16" to 47-1/4" (275mm to 1200mm)
- For back heights up to 13-3/4" (350mm)

Item #
BPZMM275001

A
B
C
D
E
F
G
H
I
J
K
L
M
N
O
P
Q
R
S
T
U
V
W
X
Y

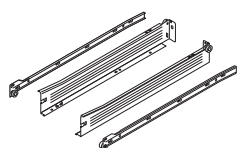
BLUM METABOX METAL DRAWER SYSTEMS



METABOX 320 Series - 3/4 Extension



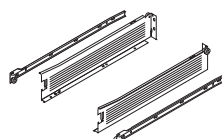
- Complements the style of panel cabinetry and allows effective use of cabinet interior space
- Fully compatible with the 32mm cabinet construction system, installation is quick and precise
- Three-dimensional front adjustment with easy cam height adjustment
- Simple insertion and removal of drawers
- With BLUMATIC self-closing feature
- Single extension is available with BLUMOTION soft-closing option
- Static load capacity of 100lb and dynamic capacity of 75lb



320N 2-1/8" (54mm) Drawer Height

- 3/4 Extension
- Full boxes of 10. Available any qty.

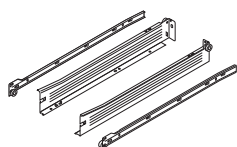
Item #	Length
BP320N3500C15	14"
BP320N4000C15	16"
BP320N4500C15	18"
BP320N5000C15	20"
BP320N5500C15	22"



320M 3-3/8" Drawer Height

- 3/4 Extension
- Full boxes of 10. Available any qty.

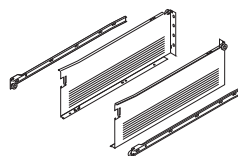
Item #	Length
BP320M2700C15	11"
BP320M3500C15	14"
BP320M4000C15	16"
BP320M4500C15	18"
BP320M5000C15	20"
BP320M5500C15	22"



320K 4-5/8" (118mm) Drawer Height

- 3/4 Extension
- Full boxes of 10. Available any qty.

Item #	Length
BP320N3500C15	14"
BP320N4000C15	16"
BP320N4500C15	18"
BP320N5000C15	20"
BP320N5500C15	22"



320H 5-7/8" (150mm) Drawer Height

- 3/4 Extension
- Full boxes of 10. Available any qty.

Item #	Length
BP320H3500C15	14"
BP320H4000C15	16"
BP320H4500C15	18"
BP320H5000C15	20"
BP320H5500C15	22"

BLUM METABOX METAL DRAWER SYSTEMS

METABOX 320 Series - 3/4 Extension - continued



1

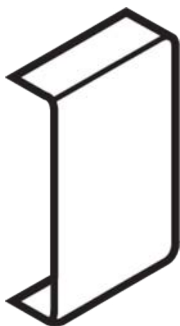


2



3

Front Fixing Brackets				
	Item #	Type		Description
1	BPZSF151004	Standard	Screw-on	Right Hand - For 320N Metabox Series
	BPZSF151005	Standard	Screw-on	Left Hand - For 320N Metabox Series
	BPZSF161004	Standard	Dowel	Right Hand - For 320N Metabox Series
	BPZSF161005	Standard	Dowel	Left Hand - For 320N Metabox Series
2	BPZSF1700R	Standard	Screw-on	Right Hand - For 320 M, K, H, & 330 M, H Series
	BPZSF1700L	Standard	Screw-on	Left Hand - For 320 M, K, H, & 330 M, H Series
	BPZSF1800R	Standard	Dowel	Right Hand - For 320 M, K, H, & 330 M, H Series
	BPZSF1800L	Standard	Dowel	Left Hand - For 320 M, K, H, & 330 M, H Series
3	BPZSF1200R	Clip	Screw-on	Right Hand - For 320 M, K, H, & 330 M, H Series
	BPZSF1200L	Clip	Screw-on	Left Hand - For 320 M, K, H, & 330 M, H Series
	BPZSF1300R	Clip	Dowel	Right Hand - For 320 M, K, H, & 330 M, H Series
	BPZSF1300L	Clip	Dowel	Left Hand - For 320 M, K, H, & 330 M, H Series
	BPZSF130ER	Clip	Expando	Right Hand - For 320 M, K, H, & 330 M, H Series
	BPZSF130EL	Clip	Expando	Expando Left Hand - For 320 M, K, H, & 330 M, H Series



Standard Cover Caps

- Nylon white
- Packed in full boxes of 1,000. Available any quantity

Item #
BPZAA3500

A
B
C
D
E
F
G
H
I
J
K
L
M
N
O
P
Q
R
S
T
U
V
W
X
Y

A
B
C
D
E
F
G
H
I
J
K
L
M
N
O
P
Q
R
S
T
U
V
W
X
Y

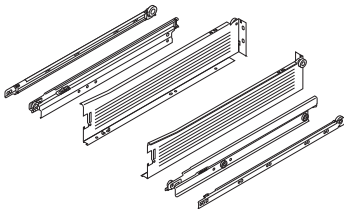
BLUM METABOX METAL DRAWER SYSTEMS



METABOX 330 Series - Full Extension



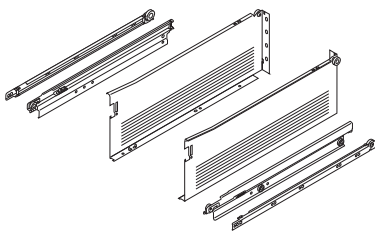
- Complements the style of panel cabinetry and allows effective use of cabinet interior space
- Fully compatible with the 32mm cabinet construction system, installation quick and precise
- Three-dimensional front adjustment with easy cam height adjustment
- Simple insertion and removal of drawers
- With BLUMATIC self-closing feature
- Single extension is available with BLUMOTION soft closing option
- Static load capacity of 100lb and dynamic capacity of 75lb



330M 3-3/8" (86mm) Drawer Height

- Full Extension
- Full boxes of 10. Available any qty.

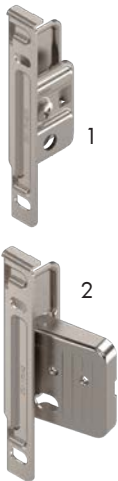
Item #	Length
BP330M400PC15	16"
BP330M450PC15	18"
BP330M500PC15	20"
BP330M550PC15	22"



330H 5-7/8" (150mm) Drawer Height

- Full Extension
- Full boxes of 10. Available any qty.

Item #	Length
BP330H400PC15	16"
BP330H450PC15	18"
BP330H500PC15	20"
BP330H550PC15WH	22"



Front Fixing Brackets

	Item #	Type		Description
1	BPZSF1700R	Standard	Screw-on	Right Hand - For 320 M, K, H, & 330 M, H Series
	BPZSF1700L	Standard	Screw-on	Left Hand - For 320 M, K, H, & 330 M, H Series
	BPZSF1800R	Standard	Dowel	Right Hand - For 320 M, K, H, & 330 M, H Series
	BPZSF1800L	Standard	Dowel	Left Hand - For 320 M, K, H, & 330 M, H Series
2	BPZSF1200R	Clip	Screw-on	Right Hand - For 320 M, K, H, & 330 M, H Series
	BPZSF1200L	Clip	Screw-on	Left Hand - For 320 M, K, H, & 330 M, H Series
	BPZSF1300R	Clip	Dowel	Right Hand - For 320 M, K, H, & 330 M, H Series
	BPZSF1300L	Clip	Dowel	Left Hand - For 320 M, K, H, & 330 M, H Series
	BPZSF130ER	Clip	Expando	Right Hand - For 320 M, K, H, & 330 M, H Series
	BPZSF130EL	Clip	Expando	Left Hand - For 320 M, K, H, & 330 M, H Series



Standard Cover Caps

- Nylon white
- Packed in full boxes of 1,000. Available any quantity

Item #
BPZAA3500

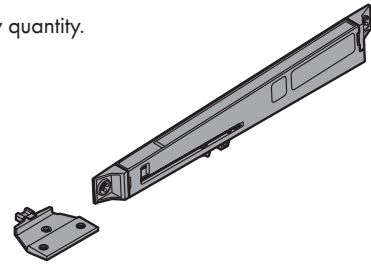
BLUM METABOX METAL DRAWER SYSTEM ACCESSORIES



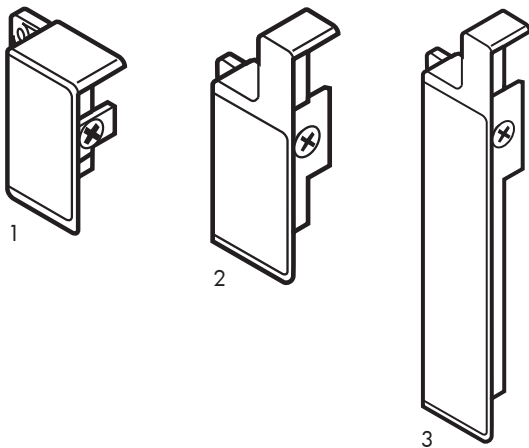
BLUMOTION for METABOX



- Soft-close mechanism for METABOX 320 series
- Designed for single extension C15 only
- Minimal opening force required
- One BLUMOTION required for cabinets up to 35" wide
- BLUMATIC self-closing and BLUMOTION in one mechanism
- Packed in full boxes of 100. Available any quantity.
- **Set Includes:**
 - Gray mechanism
 - White latch



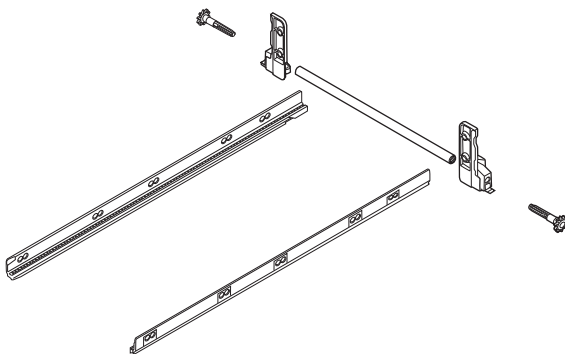
Item #
BPZ700320



Screw-on Interior Front Fixing Brackets

- For interior drawer applications
- White nylon

	Item #	Description
1	BPZIF301002R	Right Hand Bracket for 320N Series
	BPZIF301003L	Left Hand Bracket for 320N Series
2	BPZIF300002R	Right Hand Bracket for 320M & 330M Series
	BPZIF300003L	Left Hand Bracket for 320M & 330M Series
3	BPZIF3050R	Right Hand Bracket for 320H & 330H Series
	BPZIF3050L	Left Hand Bracket for 320H & 330H Series



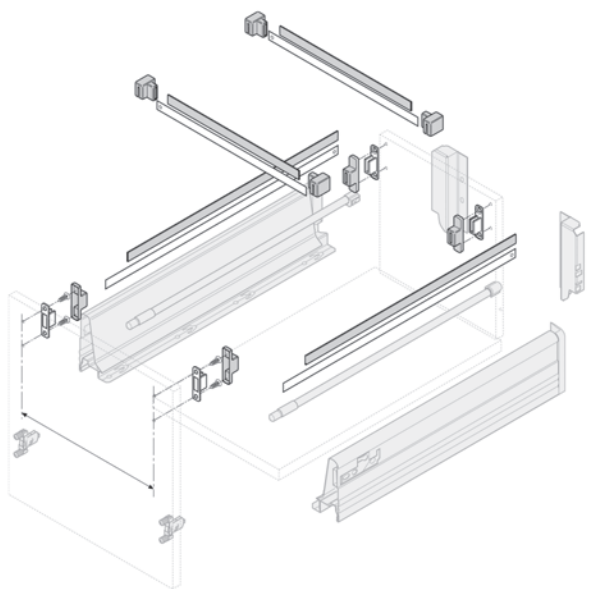
Lateral Stabilizer Set

- For use with METABOX 330M and 330H series full extension drawers only
- Available for drawer lengths 22" (550mm)
- Linkage rod can be cut according to cabinet width
- Suitable for cabinet widths up to 47" (1200mm)
- Does not increase load capacity
- Minimum inside cabinet depth for standard drawer: 22-1/2" (572mm)
- Minimum inside cabinet depth for interior roll-out trays: 22-5/8" (575mm)
- **Set Includes:**
 - Left and right gear racks
 - Pinion gears (qty 2)
 - Right and left brackets
 - Linkage rod 42-3/8" (1076mm)

A
B
C
D
E
F
G
H
I
J
K
L
M
N
O
P
Q
R
S
T
U
V
W
X
Y

A
B
C
D
E
F
G
H
I
J
K
L
M
N
O
P
Q
R
S
T
U
V
W
X
Y

BLUM METABOX METAL DRAWER SYSTEM ACCESSORIES



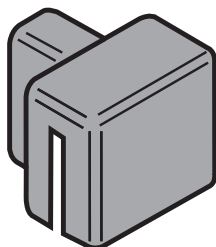
METAFILE Set

- Includes components to make one standard hanging file system
- **Set Includes:**
 - 3mm x 13mm x 550mm steel hanging rails (qty 2)
 - Rail support brackets (qty 4)
 - Rail support covers (qty 4)
 - 550mm length glide profiles (qty 2)
 - #6 x 3/4" flathead wood screws, nickel (qty 8)



Item #	Finish
BPZRM5500US	Zinc
BPZRM5500USWH	White

Lateral File Accessories

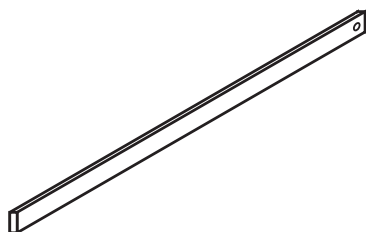


Lateral Bracket

- Four required per drawer
- White finish

Item #
BPZRM000410

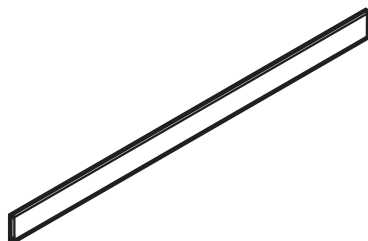
Hanging Rail



- Steel hanging rail, zinc
- 3mm x 13mm x 1100mm cut to length

Item #
BPZRM1100S

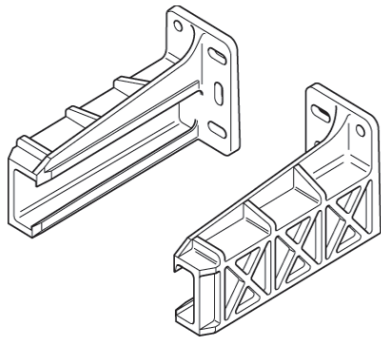
Glide Profile



- 1100mm long, cut to length
- White finish

Item #
BPZRM1100GWH

BLUM METABOX METAL DRAWER SYSTEM ACCESSORIES

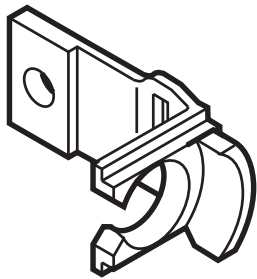


Rear Mount Sockets



- For use with METABOX 320N, 320M, 320K, 320H, and STANDARD 230M runners in frame cabinets
- Synthetic, cream color
- Attach with Blum #6 x 1/2" 612TH trusshead screws
- Cannot be used with METABOX 330 series or in conjunction with POSI-STOPS
- Includes left and right sockets
- Packed in full boxes of 100. Available any quantity.

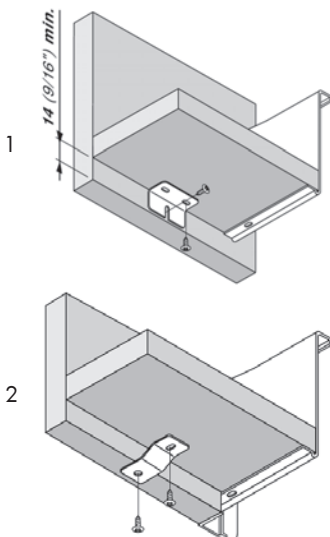
Item #
BP602320



POSI-STOP Assembly

- Add-on device to keep drawer front from contacting the cabinet face
- Available in thicknesses of 1/16" (1.5mm) or 1/8" (3mm)
- Synthetic, natural finish
- Non-handed
- Use two per drawer
- Snap in place and secure with wood screw
- Will not work with rear mount sockets or on METABOX 330 series
- Packed in full boxes of 1,000. Available any quantity.

Item #	Gap
BP298321001	1/16" (1.5mm)
BP298323001	1/8" (3mm)



Drawer Front Support Brackets

- Add-on brackets for wide drawers to keep the front tight to the drawer bottom
- Stainless steel finish
- Attach with 612TH #6 x 1/2" trusshead screws
- Packed in full boxes of 500. Available any quantity.

	Item #	Description
1	BPZSB009001	For standard drawers
2	BPZSB004501	For interior roll-out trays

A
B
C
D
E
F
G
H
I
J
K
L
M
N
O
P
Q
R
S
T
U
V
W
X
Y

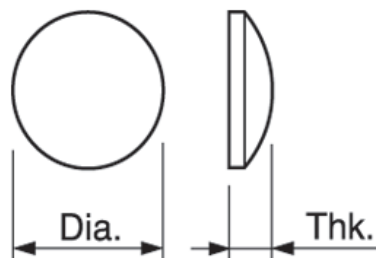
A BLUM METABOX METAL DRAWER SYSTEM ACCESSORIES

B
C
D
E
F
G
H
I
J
K
L
M
N
O
P
Q
R
S
T
U
V
W
X
Y

Wood & Euro Screws



	Item #	Description	Box Qty
1	BP6611150HG	#6 x 11.5mm, #2 POZI	1,000
	BP6611300HG	#7 x 13mm, #2 POZI	1,000
	BP6611450HG	#7 x 14.5mm, #2 POZI	1,000
2	BP606N100	#6 X 5/8", #2 Phillips	100
	BP606N1000	#6 X 5/8", #2 Phillips	1000
	BP606P1000	#6 x 5/8", #2 POZI	1000
	BP707N100	#7 x 5/8", #2 Phillips	100
3	BP612TH100	#6 x 1/2", #2 Phillips	100



Bumpers

- Cushions door closing
- Clear with a self-adhesive back
- Sold in full boxes of 5,400 only.

Item #	Description
BPFX4041	9/32" (7.5mm) X 3/32" (2mm)



POZI Driver and Bit

Item #	Description
BPPOZIDRIVER	#2 POZI Driver
BPPOZIBIT	#2 x 1" POZI bit insert



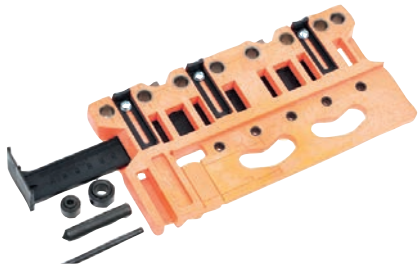
Replacement Dowel and Screw

- Replacement dowel and screw for METABOX front fixing brackets

Item #	Description
BP80353201	10.4mm x 11.4mm nylon dowel
BP6081200	3.5 x 12mm for mounting dowels

BLUM METABOX METAL DRAWER SYSTEM ASSEMBLY AIDS

A
B
C
D
E
F
G
H
I
J
K
L
M
N
O
P
Q
R
S
T
U
V
W
X
Y



Universal Boring Template Set



- Used for boring drawer fronts and locating all fixing positions
- Used to pre-bore for drawer fronts, bottoms and backs for LEGRABOX, TANDEMBOX, METABOX drawer systems, and AVENTOS mounting plates

Set includes:

- Template
- 5mm marking pin
- 10mm marking pin
- 5mm stop collar
- 10mm stop collar

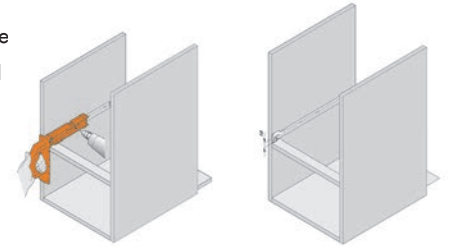
Item #
BPZML004001



MINIFIX

- For precise positioning of cabinet profile fixing screw
- For METABOX series 320N, 320M, 320K, 320H and 230M STANDARD runners

Item #
BP653300



Cabinet Profile Template Set

- Used for pre-boring holes for TANDEM drawer runners
- Also used for marking/pre-boring other Blum drawer systems, AVENTOS locating pins and hinge mounting plates

*** Set includes:**

- Rail, 1 meter long
- Replacement template (qty 4)
- 2.5mm stop collar
- 5mm stop collar
- Allen wrench



Item #	Description
BP65100001	Cabinet Profile Template*
BPDB25	2.5mm Drill Bit
BPDB6	6mm Drill Bit

A
B
C
D
E
F
G
H
I
J
K
L
M
N
O
P
Q
R
S
T
U
V
W
X
Y

GRASS VIONARO DRAWER SYSTEMS



H89, 89mm (3-1/2") Side Height



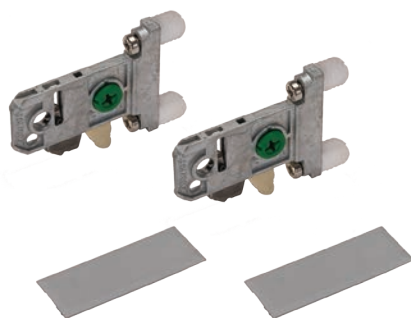
- Cubist design with 90° angles
- Slimline 13mm (1/2") side width
- 3 dimensional adjustment
- Integrated side and height adjustment, tilt angle adjustment at back
- Plus and minus adjustments for all dimensions
- Bottom panel is cut to size without notching
- Tool-free front assembly
- For frame and frameless cabinetry
- Compatible with Dynapro 16 with 2D or 3D adjustment
- Packaged in full boxes of 10. Available any quantity.



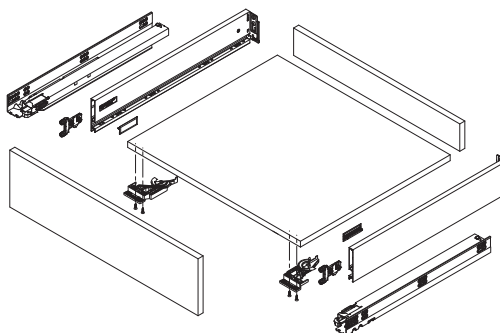
Vionaro H89 - 89mm (3-1/2") Side Height			
Drawer Length	White Item #	Silver Grey Item #	Graphite Item #
15"	GFF135121403211	GFF135121303211	GFF135121353211
18"	GFF135121406211	GFF135121306211	GFF135121356211
21"	GFF135121409211	GFF135121309211	GFF135121359211



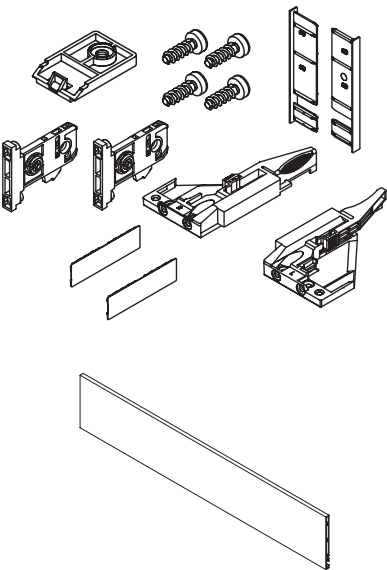
Front Locking Devices		
Item #	Description	Box Qty
GFF134116420233	Left front locking device with flange	200
GFF134116421233	Right front locking device with flange	200



Adapter Sets for 89mm Height: Includes 2 front connectors with 10mm dowels and 2 interior cover caps		
Item #	Color	Box Qty
GFF136135095517	White	50
GFF136106491517	Silver Grey	50



GRASS VIONARO DRAWER SYSTEMS



H89 Inset Front Panel and Accessory Set



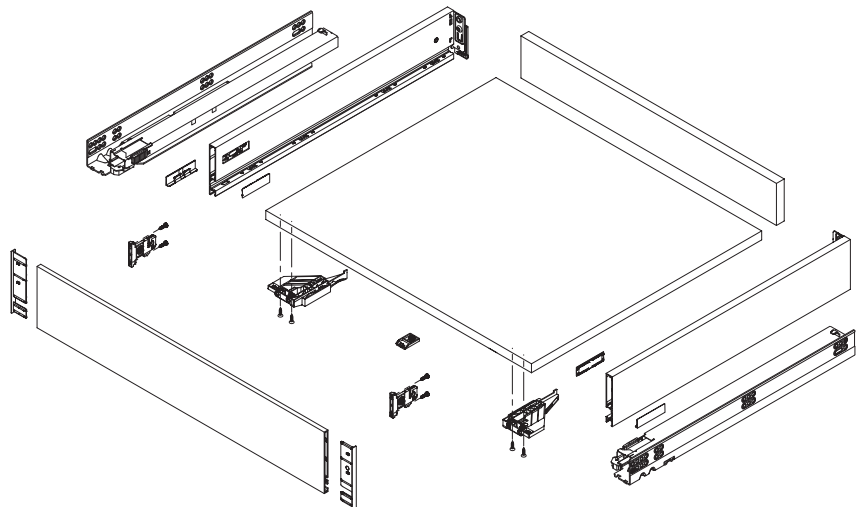
- Color-coordinated aluminum front panel profile
- 89mm (3 1/2") side height
- Cubist design with 90° angles
- Slimline 13mm (1/2") side width
- Bottom panel is cut to size without notching

H89 Inset Drawer Accessory Sets*		
Item #	Color	Box Qty
GFF136100279517	White	50
GFF136100277517	Silver Grey	50
GFF136100278517	Graphite	50

* Accessory set consists of: (2) Cover Caps, (1) Front Locking Device Set, Left/Right, (2) Front Connectors, (4) Front Connector Screws, (1) Front Bottom Connector, (2) End Caps

H89 Inset Front Panels - 45-11/16" (1160mm)*		
Item #	Color	Box Qty
GFF136120569507	White	10
GFF136122619507	Silver Grey	10
GFF136120538507	Graphite	10

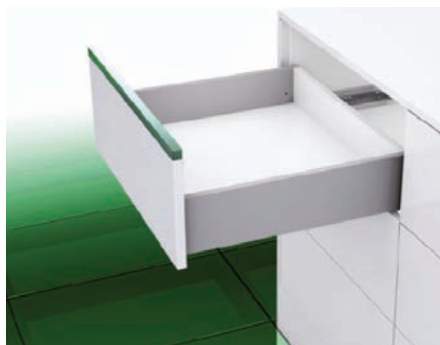
* H89 inset front panels can be cut to length. One side is pre-drilled and a drilling template is provided for the other side for accurate installation. Assembly instructions for the accessory set are included with each panel.



A
B
C
D
E
F
G
H
I
J
K
L
M
N
O
P
Q
R
S
T
U
V
W
X
Y

A
B
C
D
E
F
G
H
I
J
K
L
M
N
O
P
Q
R
S
T
U
V
W
X
Y

GRASS VIONARO DRAWER SYSTEMS



H121, 121mm (4-3/4") Side Height



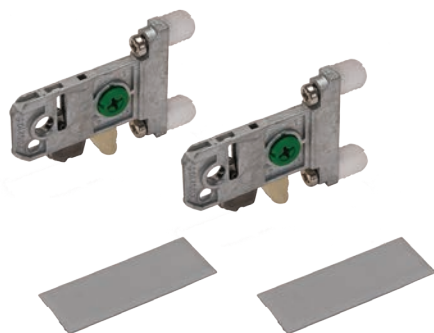
- Cubist design with 90° angles
- Slimline 13mm (1/2") side width
- 3 dimensional adjustment
- Integrated side and height adjustment, tilt angle adjustment at back
- Plus and minus adjustments for all dimensions
- Bottom panel is cut to size without notching
- Tool-free front assembly
- For frame and frameless cabinetry
- Compatible with Dynapro 16 with 2D or 3D adjustment
- Packaged in full boxes of 10. Available any quantity.



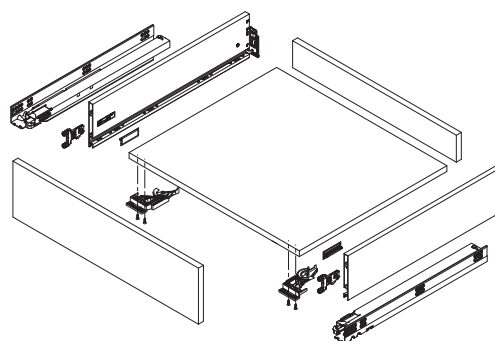
Vionaro H121 - 121mm (4-3/4") Side Height			
Drawer Length	White Item #	Silver Grey Item #	Graphite Item #
15"	GFF135135041207	GFF135135050207	GFF135135059207
18"	GFF135135044207	GFF135135053207	GFF135135062207



Front Locking Devices		
Item #	Description	Box Qty
GFF134116420233	Left front locking device with flange	200
GFF134116421233	Right front locking device with flange	200



Adapter Sets for 121mm (4-3/4") Height: Includes 2 front connectors with 10mm dowels and 2 interior cover caps		
Item #	Color	Box Qty
GFF136135095517	White	50
GFF136106491517	Silver Grey	50



GRASS VIONARO DRAWER SYSTEMS



H185, 185mm (7-1/4") Side Height



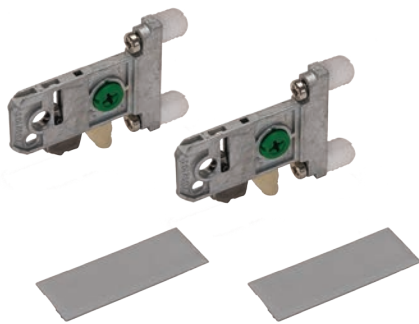
- Cubist design with 90° angles
- Slimline 13mm (1/2") side width
- 3 dimensional adjustment
- Integrated side and height adjustment, tilt angle adjustment at back
- Plus and minus adjustments for all dimensions
- Bottom panel is cut to size without notching
- Tool-free front assembly
- For frame and frameless cabinetry
- Compatible with Dynapro 16 with 2D or 3D adjustment
- Packaged in full boxes of 5. Available any quantity.



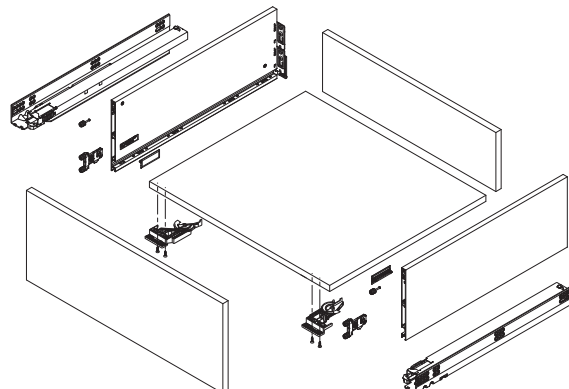
Vianaro H185 - 185mm (7-1/4") Side Height			
Drawer Length	White Item #	Silver Grey Item #	Graphite Item #
15"	GFF135121603207	GFF135121503207	GFF135121553207
18"	GFF135121606207	GFF135121506207	GFF135121556207



Front Locking Devices		
Item #	Description	Box Qty
GFF134116420233	Left front locking device with flange	200
GFF134116421233	Right front locking device with flange	200



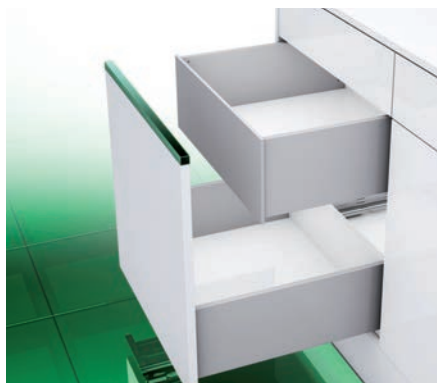
Adapter Sets for 121mm (4-3/4") Height: Includes 2 front connectors with 10mm dowels and 2 interior cover caps		
Item #	Color	Box Qty
GFF136135095517	White	50
GFF136106491517	Silver Grey	50



A
B
C
D
E
F
G
H
I
J
K
L
M
N
O
P
Q
R
S
T
U
V
W
X
Y

A
B
C
D
E
F
G
H
I
J
K
L
M
N
O
P
Q
R
S
T
U
V
W
X
Y

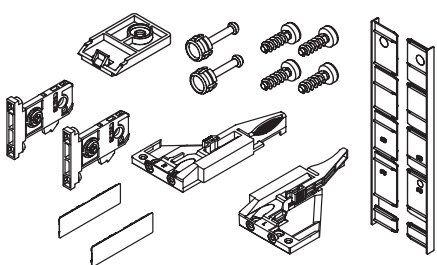
GRASS VIONARO DRAWER SYSTEMS



H185 Inset Front Panel and Accessory Set

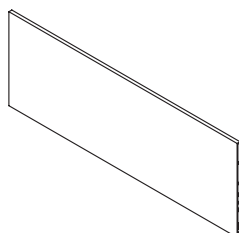


- Color-coordinated aluminum front panel profile
- 185mm (7 1/4") side height
- Cubist design with 90° angles
- Slimline 13mm (1/2") side width
- Bottom panel is cut to size without notching



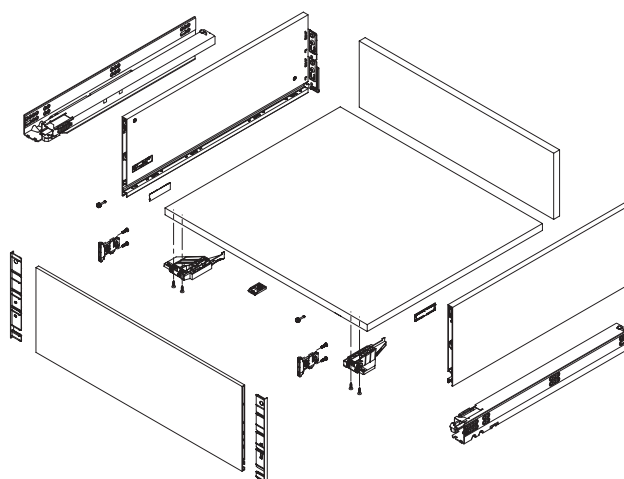
H185 Inset Drawer Accessory Sets*		
Item #	Color	Box Qty
GFF136100320517	White	50
GFF136100318517	Silver Grey	50
GFF136100319517	Graphite	50

* Accessory set consists of: (2) Cover Caps, (1) Front Locking Device Set, Left/Right, (2) Front Connectors, (4) Front Connector Screws, (1) Front Bottom Connector, (2) End Caps, and (2) front stabilizers with 8mm dowels



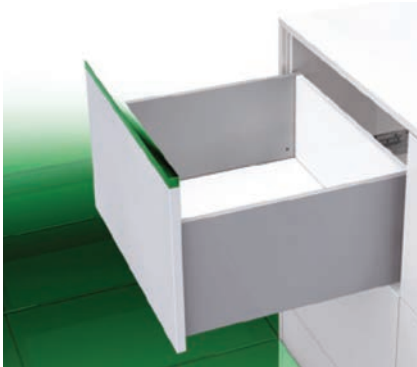
H185 Inset Front Panels - 45-11/16" (1160mm)*		
Item #	Color	Box Qty
GFF136120589507	White	10
GFF136122669507	Silver Grey	10
GFF136120539507	Graphite	10

* H185 inset front panels can be cut to length. One side is pre-drilled and a drilling template is provided for the other side for accurate installation. Assembly instructions for the accessory set are included with each panel.



GRASS VIONARO DRAWER SYSTEMS

A
B
C
D
E
F
G
H
I
J
K
L
M
N
O
P
Q
R
S
T
U
V
W
X
Y



H249, 249mm (9-3/4") Side Height

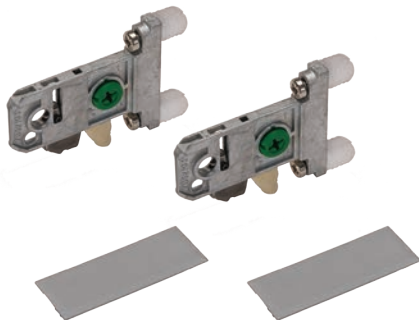
- Cubist design with 90° angles
- Slimline 13mm (1/2") side width
- 3 dimensional adjustment
- Integrated side and height adjustment, tilt angle adjustment at back
- Plus and minus adjustments for all dimensions
- Bottom panel is cut to size without notching
- Tool-free front assembly
- For frame and frameless cabinetry
- Compatible with Dynapro 16 with 2D or 3D adjustment
- Packaged in full boxes of 5. Available any quantity.



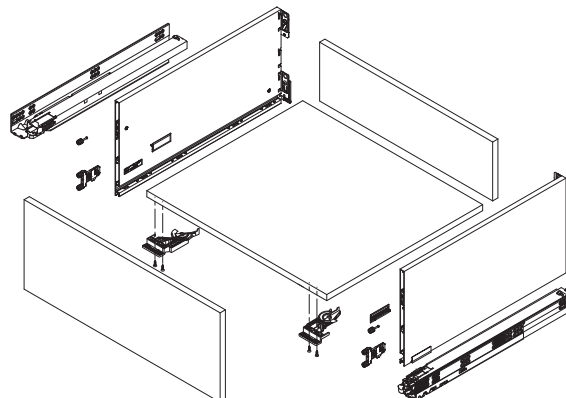
H249 - 249mm (9-3/4") Side Height			
Drawer Length	White Item #	Silver Grey Item #	Graphite Item #
15"	GFF135135068207	GFF135135077207	GFF135135086207
18"	GFF135135071207	GFF135135080207	GFF135135089207



Front Locking Devices		
Item #	Description	Box Qty
GFF134116420233	Left front locking device with flange	200
GFF134116421233	Right front locking device with flange	200

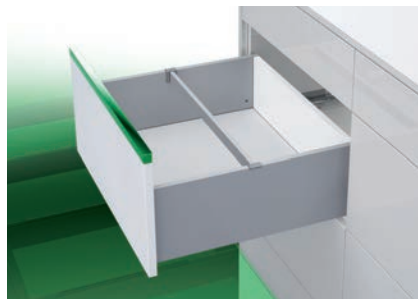


Adapter Sets for 121mm (4-3/4") Height: Includes 2 front connectors with 10mm dowels and 2 interior cover caps		
Item #	Color	Box Qty
GFF136135095517	White	50
GFF136106491517	Silver Grey	50



A
B
C
D
E
F
G
H
I
J
K
L
M
N
O
P
Q
R
S
T
U
V
W
X
Y

GRASS VIONARO DRAWER SYSTEMS



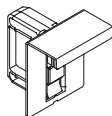
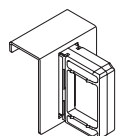
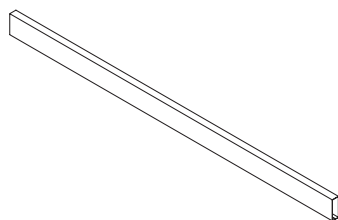
Cross-Divider Railing System



- Cross-divider for all Vionaro drawers
- Simple installation by mounting on the drawer side
- Can be retrofitted at any time
- Tool-free adjustment

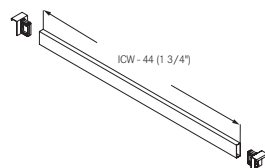
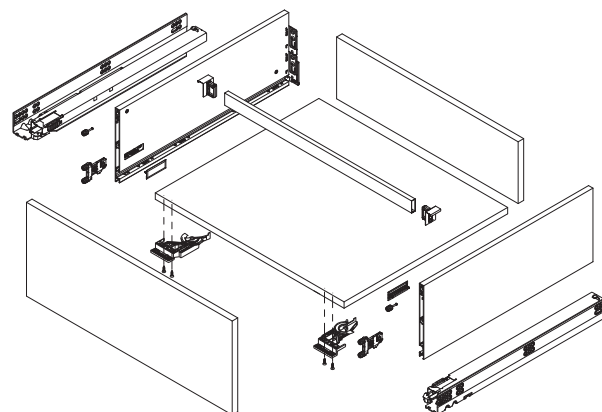
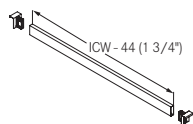
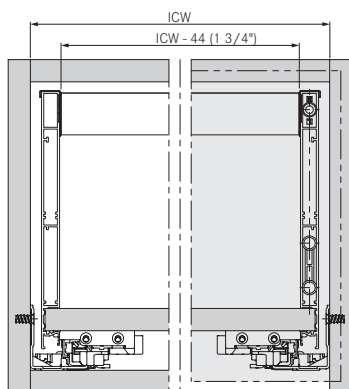
Cross-Divider: 1124mm (44-1/4") Can be cut to length

Item #	Color	Box Qty
GFF136100279517	White	10
GFF136100277517	Silver Grey	10
GFF136100278517	Graphite	10



Holder for Cross-Divider

Item #	Color	Box Qty
GFF136107481533	White	200
GFF136107479533	Silver Grey	200
GFF136107480533	Graphite	200



GRASS VIONARO DRAWER SYSTEMS

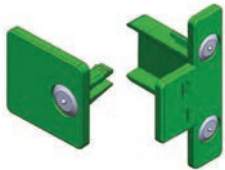
Accessories & Assembly Aids



Tecmator

- Pneumatic table-top device for Vionaro
- The ZMV-TP can be used to assemble drawers for external cabinet widths of up to 1200mm
- Easy and straightforward handling
- Sturdy construction
- For small series production
- Pneumatic control system
- High performance

Item #
GFF146116212299



Marking Jig

- For exact marking of the drilled holes for the Vionaro front adapter
- Set contains: (1) marking jig for front connector and (1) marking jig for front stabilizer

Item #
GFF146100545513



Drilling Jig

- Front drilling jig for Vionaro front adapter

Item #
GFF146100562201

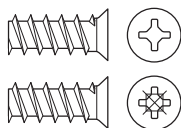


Punching Tool for Vionaro Front Stabilizer

Item #
GFF146116216299



Drill Bits for Aluminum Front Pull Outs	
Item #	Description
GF00156-01	3mm, RH, for Vionaro
GF00158-01	8mm, RH, for Vionaro



Euro Screw, Nickel-Plated		
Item #	Description	Box Qty
MEEUROSCW	11mm (7/16") Pozi	500



Wood Screw, Nickel-Plated		
Item #	Description	Box Qty
GF81001	#6 X 5/8" FHP, Nickel	500
GF81003	#6 X 3/4" FHP, Nickel	500

A
B
C
D
E
F
G
H
I
J
K
L
M
N
O
P
Q
R
S
T
U
V
W
X
Y

A GRASS VIONARO DRAWER SYSTEMS

B ZRAM

- Designed for manual assembly of dowelled Zargen 6036, 6035, 6136, 6236, 6436 and 6026
- Operated by foot pedal - air required
- No adjustment required when using various drawer lengths
- Economical solution for drawer assembly



Item #
GF93250



C
D
E
F
G
H
I
J
K
L
M
N
O
P
Q
R
S
T
U
V
W
X
Y

GRASS NOVA PRO DRAWER SYSTEMS



**Nova Pro P930 122mm (4-3/4")
Deep Drawer**



- Full extension for maximum access to drawer contents
- Available load capacities: 88lb (40kg) and 154lb (70kg) dynamic
- Soft-close liquid damping system
- Tool-free drawer front removal and installation
- Cam height adjustment and tool-free side adjustment of drawer front
- Metallic finish

Cabinet Members			
Item #	Length	Load Capacity	Box Qty
GFP904-350	14" (350mm)	88lb (40kg)	10
GFP904-400	16" (400mm)	88lb (40kg)	10
GFP904-450	18" (450mm)	88lb (40kg)	10
GFP904-500	20" (500mm)	88lb (40kg)	10
GFP904-550	22" (550mm)	88lb (40kg)	10
GFP907-450	18" (450mm)	154lb (70kg)	10
GFP907-550	22" (550mm)	154lb (70kg)	10

Drawer Members - 3-1/2" (90mm) - Metallic Finish		
Item #	Length	Box Qty
GFP920-350-MA	14" (350mm)	10
GFP920-400-MA	16" (400mm)	10
GFP920-500-MA	20" (500mm)	10
GFP920-550-MA	22" (550mm)	10

Front Brackets - 2 Required per Drawer			
Item #	Description		Box Qty
GFP920/930-SCR-PB	Screw-on Bracket		100
GFP920/930-DWL-PB	Dowelled Bracket		100

Front Panels - Select by Overall Cabinet Width		
Item #	Length	Box Qty
GF7620-610-MA	24" (610mm)	5
GF7607-550-MA	22" (550mm)	10

Side Railing Sets with Tilt Adjustment		
Item #	Length	Box Qty
GF7607-450-MA	18" (450mm)	10
GF7607-550-MA	22" (550mm)	10

Panel Holder Set - For All Lengths	
Item #	Box Qty
GFP620-MA	5

Divider Railing Sets - Select by Overall Cabinet Width		
Item #	Length	Box Qty
GF7602-1200-MA	47" (1200mm)	10
GF7607-550-MA	22" (550mm)	10

A
B
C
D
E
F
G
H
I
J
K
L
M
N
O
P
Q
R
S
T
U
V
W
X
Y

GRASS ZARGEN STEEL DRAWER SYSTEMS



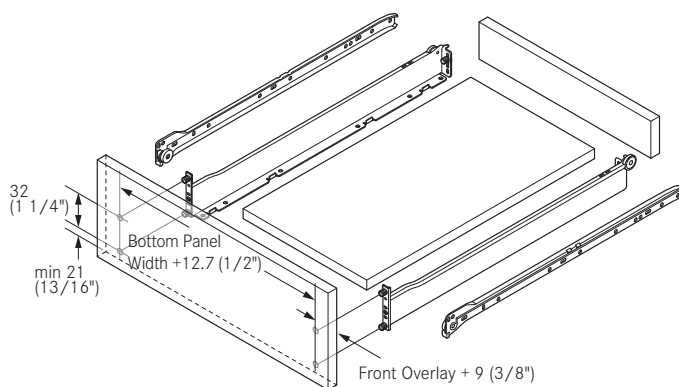
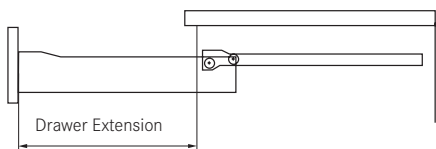
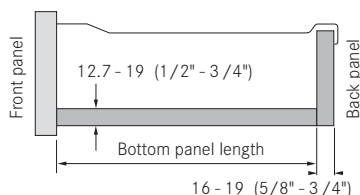
Zargen 6035 1-11/16" (43mm) Side Height



- Integrated drawer slide and drawer side
- Self-closing feature with 60mm (2-3/8") closing range
- Built-in drawer front bumpers
- Quick assembly through dowelled and integrated front fixing brackets
- White epoxy finish
- Tolerance adjustment 2mm (3/32")
- Load capacity: 100 lb
- Adjustments: Cam height (± 2 mm), side (± 1.5 mm)
- Made in the USA



Item #	Length	Box Qty
GF6035D1-270-W	10-5/8" (270mm)	10
GF6035D1-350-W	13-3/4" (350mm)	10
GF6035D1-400-W	15-3/4" (400mm)	10
GF6035D1-440-W	17-3/8" (440mm)	10
GF6035D1-470-W	18-1/2" (470mm)	10
GF6035D1-510-W	20-1/16" (510mm)	10
GF6035D1-550-W	21-5/8" (550mm)	10



Slide Length	Bottom Panel Length		Extension	
	16mm (5/8") Back Panel	19mm (3/4") Back Panel	Single Stop	Double Stop
350 (13 3/4")	331 (13 1/16")	328 (12 15/16")	280 (11")	-
400 (15 3/4")	381 (15")	378 (14 7/8")	300 (11 13/16")	314 (12 3/8")
440 (17 3/8")	421 (16 9/16")	418 (16 7/16")	340 (13 3/8")	354 (13 15/16")
470 (18 1/2")	451 (17 3/4")	448 (17 5/8")	370 (14 9/16")	384 (15 1/8")
510 (20 1/16")	491 (19 5/16")	488 (19 3/16")	410 (16 1/8")	424 (16 11/16")
550 (21 5/8")	531 (20 7/8")	528 (20 13/16")	450 (17 11/16")	464 (18 1/4")

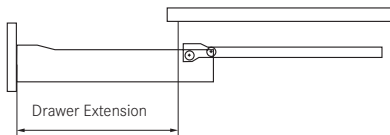
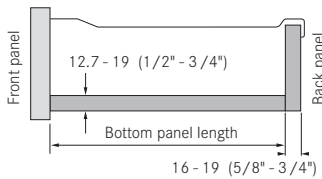
GRASS ZARGEN STEEL DRAWER SYSTEMS



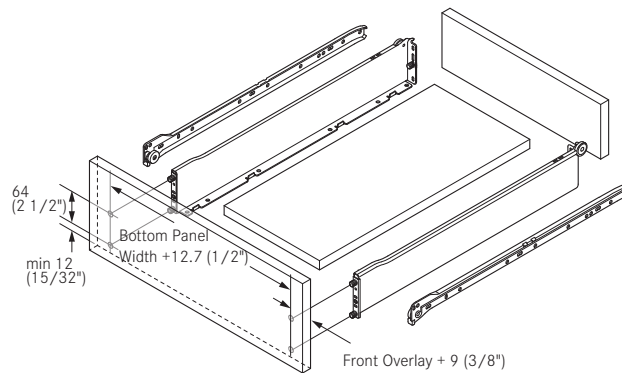
Zargen 6036 3-3/8" (85mm) Side Height



- Integrated drawer slide and drawer side
- Self-closing feature with 60mm (2-3/8") closing range
- Built-in drawer front bumpers
- Quick assembly through dowelled and integrated front fixing brackets
- White epoxy finish
- Tolerance adjustment 2mm (3/32")
- Load capacity: 100 lb
- Adjustments: Cam height ($\pm 2\text{mm}$), side ($\pm 1.5\text{mm}$)
- Made in the USA



Item #	Length	Box Qty
GF6036D1-270-W	10-5/8" (270mm)	10
GF6036D1-350-W	13-3/4" (350mm)	10
GF6036D1-400-W	15-3/4" (400mm)	10
GF6036D1-440-W	17-3/8" (440mm)	10
GF6036D1-470-W	18-1/2" (470mm)	10
GF6036D1-510-W	20-1/16" (510mm)	10
GF6036D1-550-W	21-5/8" (550mm)	10
GFCM6036D1-510-W	20-1/16" (510mm)	300
GFCM6036D1-550-W	21-5/8" (550mm)	300



Slide Length	Bottom Panel Length		Extension	
	16mm (5/8") Back Panel	19mm (3/4") Back Panel	Single Stop	Double Stop
350 (13 3/4")	331 (13 1/16")	328 (12 15/16")	280 (11")	-
400 (15 3/4")	381 (15")	378 (14 7/8")	300 (11 13/16")	314 (12 3/8")
440 (17 3/8")	421 (16 9/16")	418 (16 7/16")	340 (13 3/8")	354 (13 15/16")
470 (18 1/2")	451 (17 3/4")	448 (17 5/8")	370 (14 9/16")	384 (15 1/8")
510 (20 1/16")	491 (19 5/16")	488 (19 3/16")	410 (16 1/8")	424 (16 11/16")
550 (21 5/8")	531 (20 7/8")	528 (20 13/16")	450 (17 11/16")	464 (18 1/4")

GRASS ZARGEN STEEL DRAWER SYSTEMS



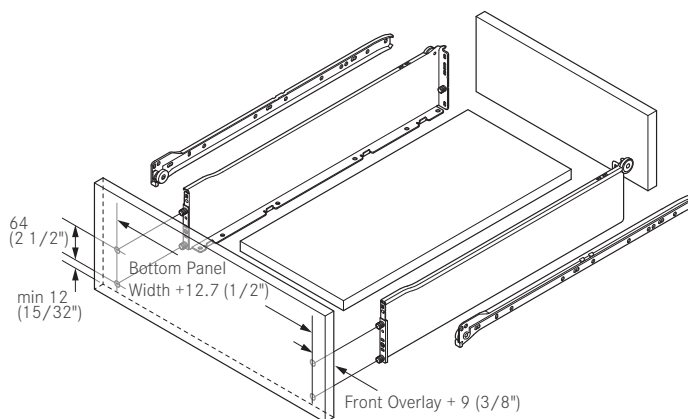
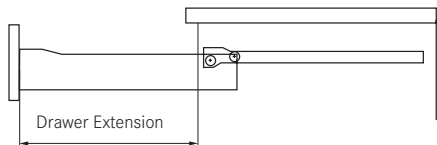
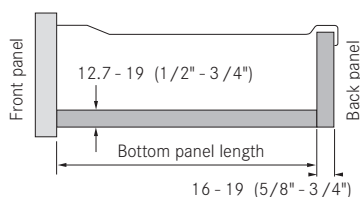
Zargen 6136 4-5/8" (117mm) Side Height



- Integrated drawer slide and drawer side
- Self-closing feature with 60mm (2-3/8") closing range
- Built-in drawer front bumpers
- Quick assembly through dowelled and integrated front fixing brackets
- White epoxy finish
- Tolerance adjustment 2mm (3/32")
- Load capacity: 100 lb
- Adjustments: Cam height (± 2mm), side (± 1.5mm)
- Made in the USA



Item #	Length	Box Qty
GF6136D1-350-W	13-3/4" (350mm)	5
GF6136D1-400-W	15-3/4" (400mm)	5
GF6136D1-440-W	17-3/8" (440mm)	5
GF6136D1-470-W	18-1/2" (470mm)	5
GF6136D1-510-W	20-1/16" (510mm)	5
GF6136D1-550-W	21-5/8" (550mm)	5



Slide Length	Bottom Panel Length		Extension	
	16mm (5/8") Back Panel	19mm (3/4") Back Panel	Single Stop	Double Stop
350 (13 3/4")	331 (13 1/16")	328 (12 15/16")	280 (11")	-
400 (15 3/4")	381 (15")	378 (14 7/8")	300 (11 13/16")	314 (12 3/8")
440 (17 3/8")	421 (16 9/16")	418 (16 7/16")	340 (13 3/8")	354 (13 15/16")
470 (18 1/2")	451 (17 3/4")	448 (17 5/8")	370 (14 9/16")	384 (15 1/8")
510 (20 1/16")	491 (19 5/16")	488 (19 3/16")	410 (16 1/8")	424 (16 11/16")
550 (21 5/8")	531 (20 7/8")	528 (20 13/16")	450 (17 11/16")	464 (18 1/4")

GRASS ZARGEN STEEL DRAWER SYSTEMS

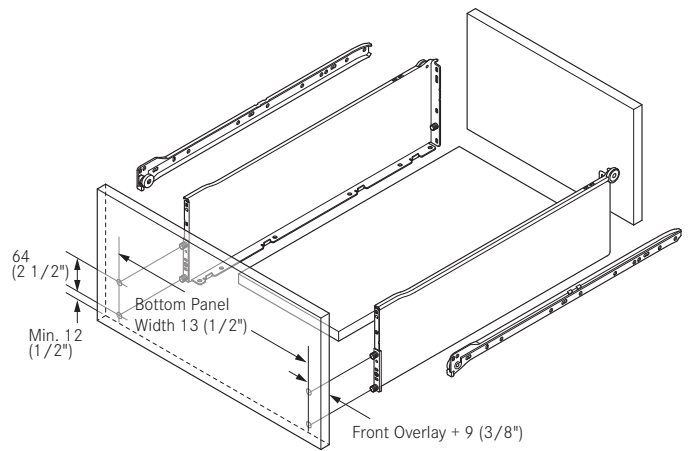
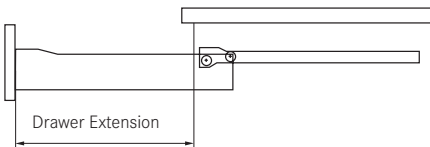
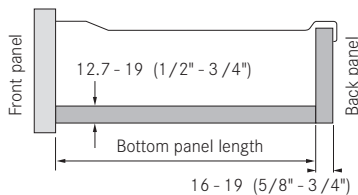


Zargen 6236 5-7/8" (149mm) Side Height

- Integrated drawer slide and drawer side
- Self-closing feature with 60mm (2-3/8") closing range
- Built-in drawer front bumpers
- Quick assembly through dowelled and integrated front fixing brackets
- White epoxy finish
- Tolerance adjustment 2mm (3/32")
- Load capacity: 100 lb
- Adjustments: Cam height (± 2 mm), side (± 1.5 mm)
- Made in the USA



Item #	Length	Box Qty
GF6236D1-350-W	13-3/4" (350mm)	5
GF6236D1-400-W	15-3/4" (400mm)	5
GF6236D1-440-W	17-3/8" (440mm)	5
GF6236D1-470-W	18-1/2" (470mm)	5
GF6236D1-510-W	20-1/16" (510mm)	5
GF6236D1-550-W	21-5/8" (550mm)	5



Slide Length	Bottom Panel Length		Extension	
	16mm (5/8") Back Panel	19mm (3/4") Back Panel	Single Stop	Double Stop
350 (13 3/4")	331 (13 1/16")	328 (12 15/16")	280 (11")	-
400 (15 3/4")	381 (15")	378 (14 7/8")	300 (11 13/16")	314 (12 3/8")
440 (17 3/8")	421 (16 9/16")	418 (16 7/16")	340 (13 3/8")	354 (13 15/16")
470 (18 1/2")	451 (17 3/4")	448 (17 5/8")	370 (14 9/16")	384 (15 1/8")
510 (20 1/16")	491 (19 5/16")	488 (19 3/16")	410 (16 1/8")	424 (16 11/16")
550 (21 5/8")	531 (20 7/8")	528 (20 13/16")	450 (17 11/16")	464 (18 1/4")

A
B
C
D
E
F
G
H
I
J
K
L
M
N
O
P
Q
R
S
T
U
V
W
X
Y

GRASS ZARGEN STEEL DRAWER SYSTEMS



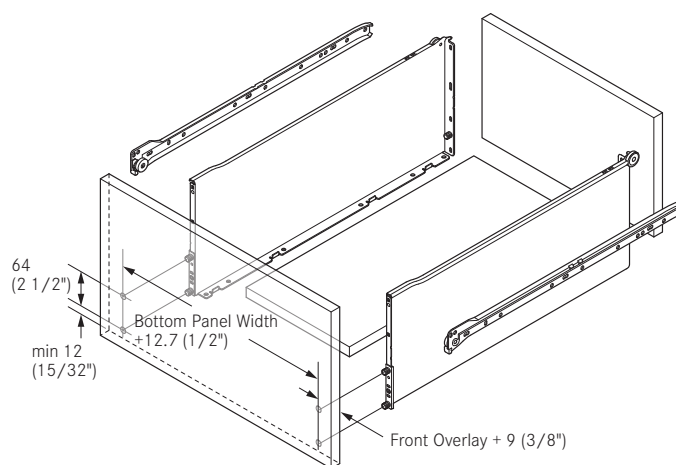
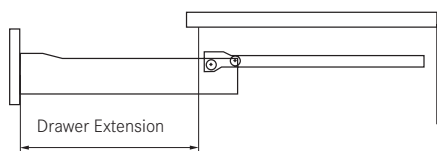
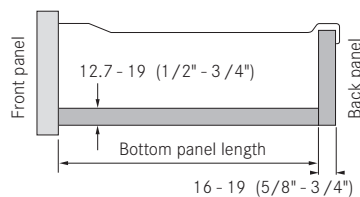
Zargen 6436 8-3/8" (213mm) Side Height



- Integrated drawer slide and drawer side
- Self-closing feature with 60mm (2-3/8") closing range
- Built-in drawer front bumpers
- Quick assembly through dowelled and integrated front fixing brackets
- White epoxy finish
- Tolerance adjustment 2mm (3/32")
- Load capacity: 100 lb
- Adjustments: Cam height (± 2 mm), side (± 1.5 mm)
- Made in the USA

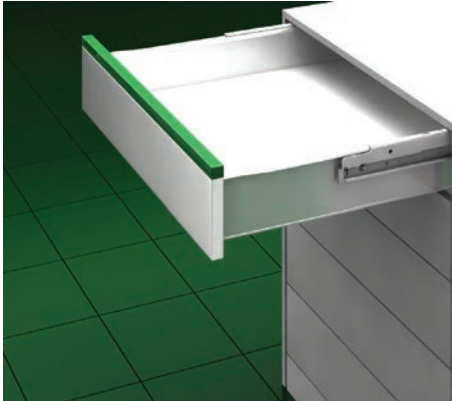


Item #	Length	Box Qty
GF6436D1-350-W	13-3/4" (350mm)	5
GF6436D1-400-W	15-3/4" (400mm)	5
GF6436D1-440-W	17-3/8" (440mm)	5
GF6436D1-470-W	18-1/2" (470mm)	5
GF6436D1-510-W	20-1/16" (510mm)	5
GF6436D1-550-W	21-5/8" (550mm)	5



Slide Length	Bottom Panel Length		Extension	
	16mm (5/8") Back Panel	19mm (3/4") Back Panel	Single Stop	Double Stop
350 (13 3/4")	331 (13 1/16")	328 (12 15/16")	280 (11")	-
400 (15 3/4")	381 (15")	378 (14 7/8")	300 (11 13/16")	314 (12 3/8")
440 (17 3/8")	421 (16 9/16")	418 (16 7/16")	340 (13 3/8")	354 (13 15/16")
470 (18 1/2")	451 (17 3/4")	448 (17 5/8")	370 (14 9/16")	384 (15 1/8")
510 (20 1/16")	491 (19 5/16")	488 (19 3/16")	410 (16 1/8")	424 (16 11/16")
550 (21 5/8")	531 (20 7/8")	528 (20 13/16")	450 (17 11/16")	464 (18 1/4")

GRASS ZARGEN STEEL DRAWER SYSTEMS

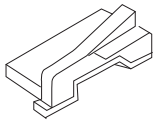


Zargen 6200 Full Extension Slide Members

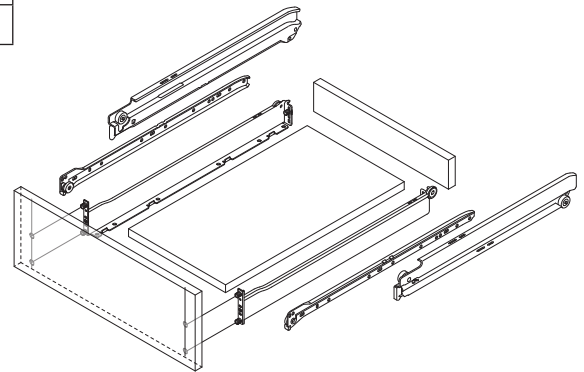
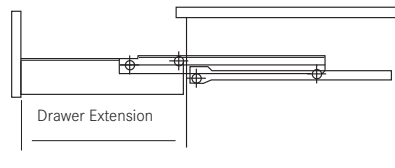
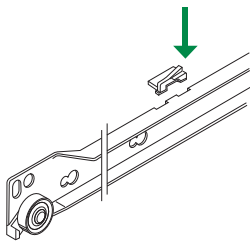
- Designed for use with Systems 6035, 6036, 6026, 6136, 6236 and 6436
- Provides full extension of drawers, pull-outs or shelves
- Inserts easily between the cabinet and drawer members
- Available in white epoxy finish
- Made in the USA
- Sold in full box quantities of 10.



Zargen 6200 Full Extension Slide Member		
Item #	Length	Box Qty
GF6200-350-W	13-3/4" (350mm)	10
GF6200-400-W	15-3/4" (400mm)	10
GF6200-440-W	17-3/8" (440mm)	10
GF6200-470-W	18-1/2" (470mm)	10
GF6200-510-W	20-1/16" (510mm)	10



Spare Guide Clip
Item #
GF61440-38



Slide Length	Extension	
	Single Stop	Double Stop
270 (10 5/8")	275 (10 13/16")	
350 (13 3/4")	355 (14")	
400 (15 3/4")	405 (15 15/16")	419 (16 3/8")
440 (17 3/8")	445 (17 1/2")	459 (18 1/16")
470 (18 1/2")	475 (18 11/16")	489 (19 1/4")
510 (20 1/16")	515 (20 1/4")	529 (20 13/16")
550 (21 5/8")	555 (21 7/8")	569 (22 3/8")

A
B
C
D
E
F
G
H
I
J
K
L
M
N
O
P
Q
R
S
T
U
V
W
X
Y

GRASS ZARGEN STEEL DRAWER SYSTEMS

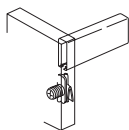


6100 Railing System

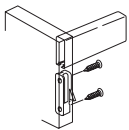
- Designed for use with Systems 6610, 6035, 6036, 6026, 6136, 6236, and 6436
- Easy to construct
- Allows end user to customize storage space
- Includes convenient rail dividers
- Available in white



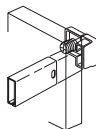
1 Front railing clip, Dowelled



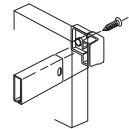
2 Front partition clip, Screw-on



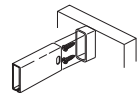
3 Back railing clip, Dowelled



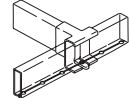
4 Back railing clip, Screw-on



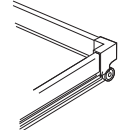
5 Back partition clip, Screw-on



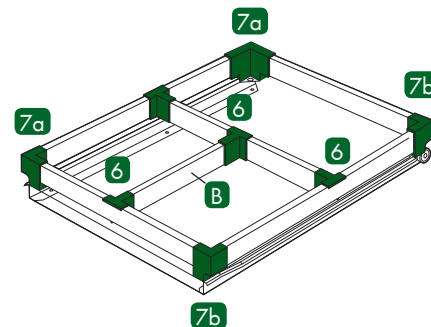
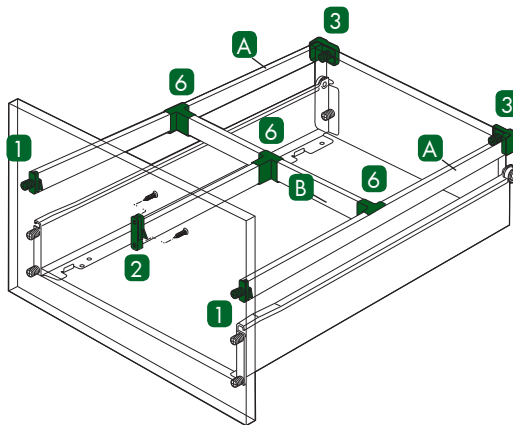
6 Divider railing clip



7 Corner Bracket



6100 Railing System		
Item #	Length	Box Qty
GF6100-350-W	13-3/4" (350mm)	20
GF6100-400-W	15-3/4" (400mm)	20
GF6100-510-W	20-1/16" (510mm)	20
GF6100-550-W	21-5/8" (550mm)	20



6100 Railing System Accessories			
Item #	Description	Box Qty	
B	GF6100-02-100	39-3/8" (1000mm) Divider Railing Cut to Size	20
1	GF6150-01	Front Railing Clip, Dowelled	20
2	GF6150-HF4.2	Front Partition Clip, 4.2mm Screw-on	20
3	GF6150-02	Back Railing Clip, Dowelled	100
4	GF6150-03	Back Railing Clip, 4.2mm Screw-On	20
5	GF6150-20-4.2	Back Partition Clip, 4.2mm Screw-on	20
6	GF6180-01	Divider Railing Clip	20
7a	GF6190-01	Corner Bracket, LH	20
7b	GF6190-02	Corner Bracket, RH	20

GRASS ZARGEN STEEL DRAWER SYSTEMS



Pendaflex 6110 File Railing

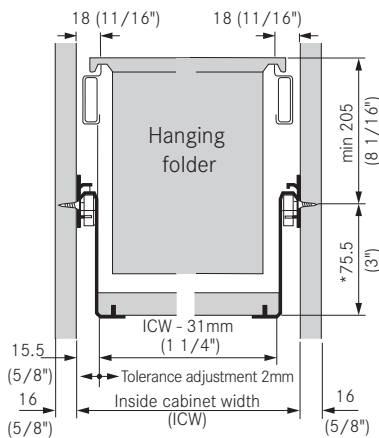


- The Pendaflex Rail 6110 provides a lip for drop in file folders
- Cut to a desired length and attached over the 6100 side railing
- Use in conjunction with Zargen
- Easy to construct
- White plastic

Rile Rail 6110

Item #	Description	Box Qty
1	GF6100-04-1100-W 43-5/16" (1100mm) Pendaflex Rail 6110	20
2	GF6150-01 Front Railing Clip, Dowelled, White	100
3	GF6150-02 Back Railing Clip, Dowelled, White	100

Drawer Measurements



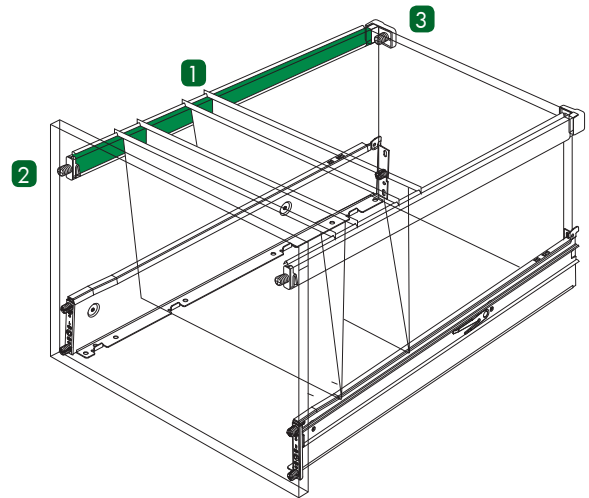
Legal Size Paper:

IWC = 418mm (16 7/16")

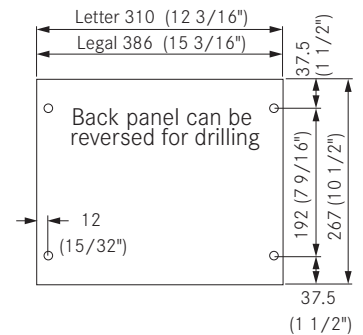
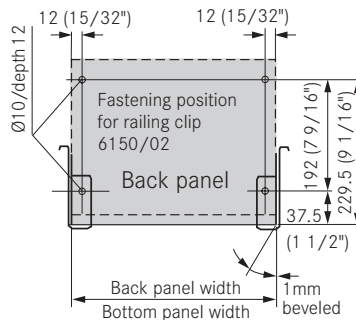
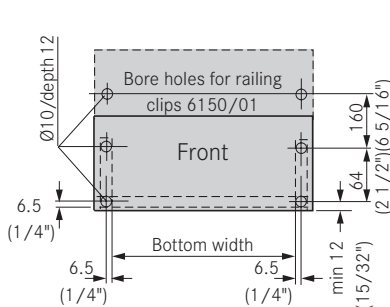
Letter size Paper:

IWC = 342mm (13 7/16")

Note: ICW = Inside Cabinet

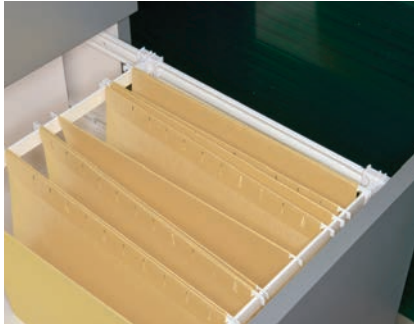


Drilling Patterns for Pendaflex File Drawers



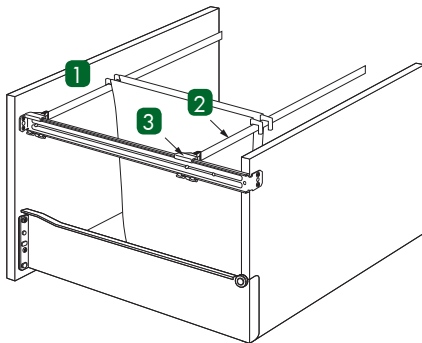
A
B
C
D
E
F
G
H
I
J
K
L
M
N
O
P
Q
R
S
T
U
V
W
X
Y

GRASS ZARGEN STEEL DRAWER SYSTEMS

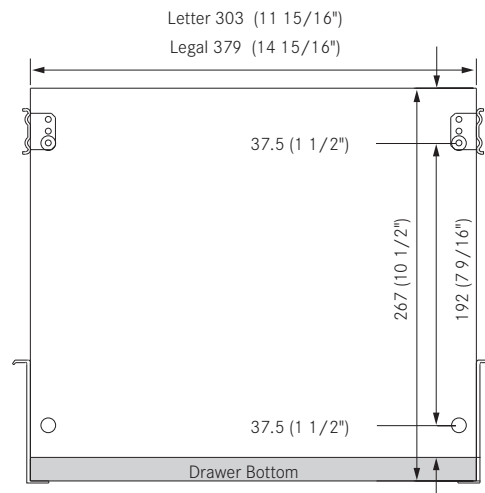
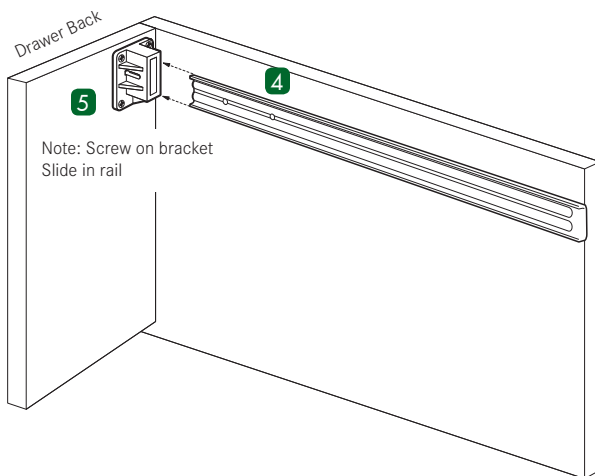


Pendaflex File Railing

- Designed for use with metal drawer system or wood drawer application
- File bar accommodates lateral file application
- Easy to construct
- Available in white finish
- Sold in full boxes of 20. Available any quantity.



File Railing			
	Item #	Description	Use with Slide Length
1	GF6036XSR-468-W	US/468.5 Side Rail	18-1/2" (470mm)
	GF6036XSR-508-W	US/508.5 Side Rail	20-1/16" (510mm)
	GF6036XSR-548-W	US/548.5 Side Rail	21-5/8" (550mm)
2	GF6036XFB-W	28" (711mm) File Bar	—
3	GF6036XLC-W	Lateral File Clip	—
4	GF6036XPR-442-W	US/442.5 Partition Rail	18-1/2" (470mm)
	GF6036XPR-482-W	US/482.5 Partition Rail	20-1/16" (510mm)
	GF6036XPR-522-W	US/522.5 Partition Rail	21-5/8" (550mm)
5	GF6036XFC-W	Partition Bracket	—



GRASS ZARGEN ACCESSORIES

A
B
C
D
E
F
G
H
I
J
K
L
M
N
O
P
Q
R
S
T
U
V
W
X
Y



ZRAM

- Designed for manual assembly of Zargen slides
- Operated by foot pedal - air required
- No adjustment required when using various drawer lengths
- Economical solution for drawer assembly



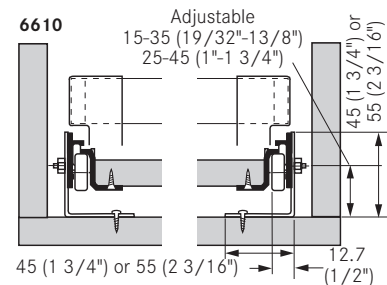
Item #
GF93250



6196 Bracket

- Attaches cabinet member of drawer slide if no side panel is available
- Bracket can be used for right or left
- Sold in full boxes of 50. Available any quantity.

Item #
GF6196-W



Zargen Rear Mounting Sockets

- Drawer slide can slide in or out to achieve different cabinet depth
- Extra long length
- Socket can be stapled or screwed
- Sold in full boxes of 500. Available any quantity.

Item #	Description
GF6650L	Rear Mounting Socket, Left
GF6650R	Rear Mounting Socket, Right



1



2

6195 Spacers for Cabinet Members

- Designed for doors protruding into the cabinet and for inset drawers
- White finish
- Sold in full boxes of 20. Available any quantity.

	Item #	Description
1	GF86478-39	6195 Spacer, 1" (25mm), Screw-on
2	GF13097	6195 Spacer/Pin, 1" (25mm), Screw-on with Pin

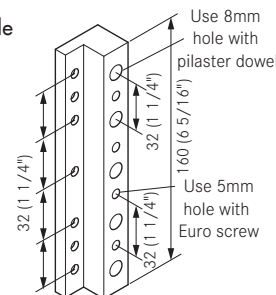
A GRASS ZARGEN ACCESSORIES

**B
C
D
E
F
G
H
I
J
K
L
M
N
O
P
Q
R
S
T
U
V
W
X
Y**



Pilaster Mounting Bracket

- Fits over 32mm line boring patterns
- Attaches to cabinet with Euro or wood screws
- Allows use of pilaster dowel on cabinet member for an adjustable roll out shelf
- Allows roll out shelves to be adjustable in 32mm increments
- Sold in full boxes of 200. Available any quantity.

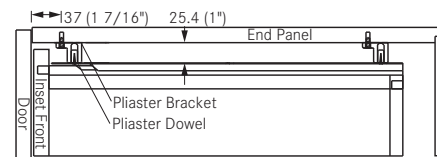


Item #
GF30912



Pilaster Dowels

- Allows for construction of adjustable pull-outs with any Zargen slides when attached to cabinet member
- Dowel requires an 8mm x 5/8" deep hole
- Attaches with a #6 x 5/8" or #6 x 1/2" screw
- Sold in full boxes of 500. Available any quantity.



Example shown using 6036 slide with 19mm (3/4") front material

Item #
GF395



Door Protectors for Pull-Outs

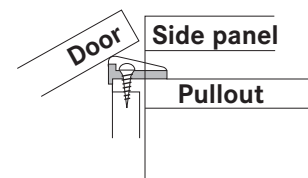
- Protects door when insets are pulled out
- Attached to the bottom of the pull-out
- Sold in full boxes of 100. Available any quantity.

Item #	Description
GF6197-LH-W	6197 Protector, Left
GF6197-RH-W	6197 Protector, Right



Door/Drawer Protector

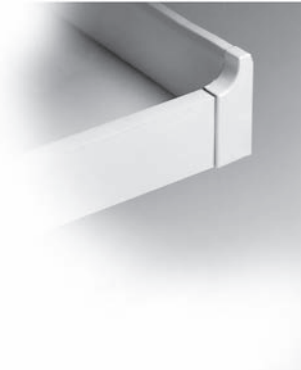
- Attaches to side of wooden pull-out.
- Designed for inset pull-out trays for frame or frameless cabinetry
- White finish
- Sold in full boxes of 500. Available any quantity.



Item #
GF13096

GRASS ZARGEN ACCESSORIES

A
B
C
D
E
F
G
H
I
J
K
L
M
N
O
P
Q
R
S
T
U
V
W
X
Y



Roll-Out Tray Bracket



- Allows 6036/6026 slides to be used as roll out trays
- Tray front is 2-5/16" (59mm)
- Bracket mounts to front of slide
- Color: white

Polybag consists of: 2 - Brackets, LH and RH; 2 - Clamps; 4 - #4 X 3/8", NI screws

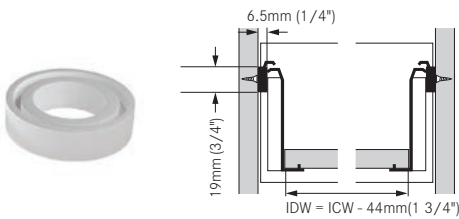
Item #
GF6036RB-D1-W



6036 Support Bracket

- Attaches to the center of wide drawers for support
- Elongated holes for drawer front adjustments
- Sold in full boxes of 100. Available any quantity.

Item #
GF6036B



6036 Spacer for Inset Drawers

Item #
GF00035-K



Euro Screws, Nickel-Plated

- Sold in full boxes of 500 only.

Item #	Description
MEEUROSCW	11 mm Euro Screw (7/16") Pozi



Wood Screws, Nickel-Plated

- Sold in full boxes of 500 only.

Item #	Description
GF81001	#6 x 5/8" Phillips Head
GF81003	#6 x 3/4" Phillips Head

A GRASS INTEGRA METAL DRAWER SYSTEMS

B
C
D
E
F
G
H
I
J
K
L
M
N
O
P
Q
R
S
T
U
V
W
X
Y



Integra 9113 3-3/8" (85mm) Side Height



- White baked on epoxy finish
- Single extension, height 85mm (3-3/8")
- Load capacity: 100 lb dynamic
- Installation width 15.5mm (5/8")
- Snap-on bottom mounting
- Made in USA
- Sold in full boxes of 10 only

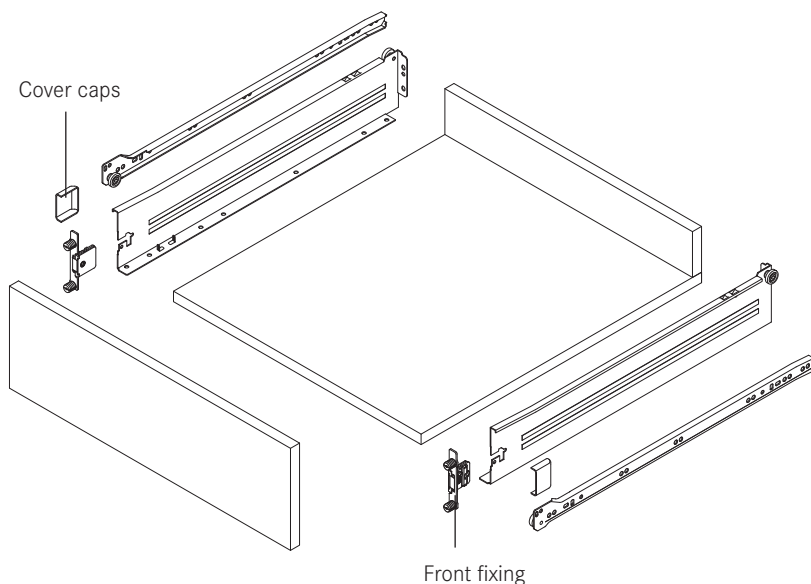
Integra 9113 Slides	
Item #	Length
GF9113.350.2	14"
GF9113.400.2	16"
GF9113.450.2	18"
GF9113.500.2	20"
GF9113.550.2	22"



Front Fixing Brackets

- Sold in full boxes of 10 only

Item #	Description
GF9306.L.VE10	Snap on Dowel, Left
GF9306.R.VE10	Snap on Dowel, Right



GRASS INTEGRA METAL DRAWER SYSTEMS



Integra 9313 5-7/8" (149mm) Side Height

- White baked on epoxy finish
- Single extension, height 149mm (5-7/8")
- Load capacity: 100 lb dynamic
- Installation width 15.5mm (5/8")
- Snap-on bottom mounting
- Made in USA
- Sold in full boxes of 10 only



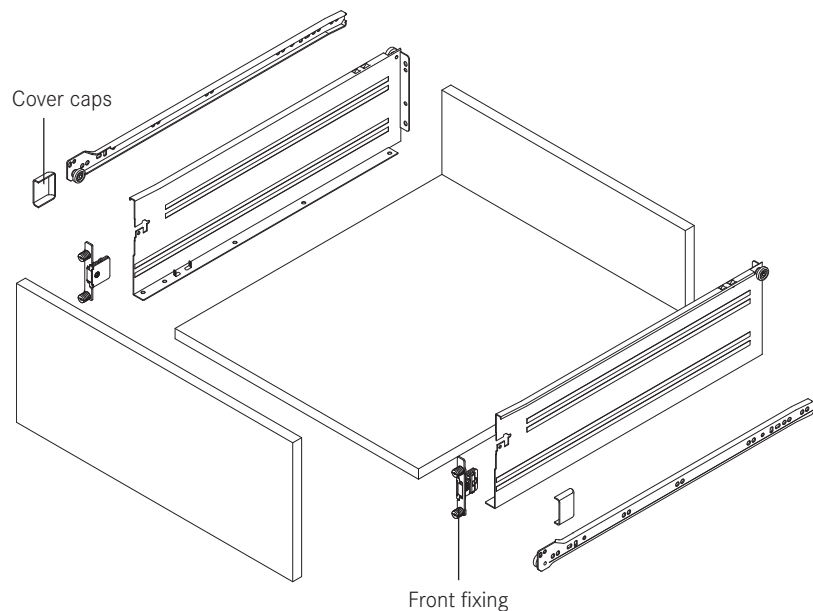
Integra 9313 Slides	
Item #	Length
GF9313.400.2	16"
GF9313.450.2	18"
GF9313.500.2	20"
GF9313.550.2	22"



Front Fixing Brackets

- Sold in full boxes of 10 only

Item #	Description
GF9306.L.VE10	Snap on Dowel, Left
GF9306.R.VE10	Snap on Dowel, Right



A
B
C
D
E
F
G
H
I
J
K
L
M
N
O
P
Q
R
S
T
U
V
W
X
Y

GRASS ZBOX METAL DRAWER SYSTEMS



Grass ZBox Metal Drawer System

- Integrated side mount ball bearing drawer slide and metal drawer side
- Ball bearing telescopic full extension
- Hold-in detent ensures drawers stay closed
- Easy lever disconnect for removal of drawer box from cabinet member
- Frameless or face frame application
- Front slotted hole for face frame mounting
- Face frame rear mounting bracket available
- Meets and exceeds ANSI/BHMA 156.9 Grade 1 testing requirements
- Drawer side - white epoxy finish; Drawer slide - Zinc coated steel
- Load capacity: 100 lbs.
- Adjustments: Cam Height $\pm 2\text{mm}$, Side $\pm 1.5\text{mm}$
- Zargen is made in the USA, ZBox is assembled in the USA



Item #	Length	Height	Box Qty
Zbox 6023 - 3-3/8" (85mm) Side Height			
GF30063-03	13-3/4" (350mm)	3-3/8" (85mm)	5
GF30064-03	15-3/4" (400mm)	3-3/8" (85mm)	5
GF30065-03	18-1/2" (470mm)	3-3/8" (85mm)	5
GF30066-03	20-1/16" (510mm)	3-3/8" (85mm)	5
GF30067-03	21-5/8" (550mm)	3-3/8" (85mm)	5
Zbox 6223 - 5-7/8" (149mm) Side Height			
GF30073-03	13-3/4" (350mm)	5-7/8" (149mm)	5
GF30074-03	15-3/4" (400mm)	5-7/8" (149mm)	5
GF30075-03	18-1/2" (470mm)	5-7/8" (149mm)	5
GF30076-03	20-1/16" (510mm)	5-7/8" (149mm)	5
GF30077-03	21-5/8" (550mm)	5-7/8" (149mm)	5
Zbox 6423 - 8-3/8" (213mm) Side Height			
GF30078-03	13-3/4" (350mm)	8-3/8" (213mm)	5
GF30079-03	15-3/4" (400mm)	8-3/8" (213mm)	5
GF30080-03	18-1/2" (470mm)	8-3/8" (213mm)	5
GF30081-03	20-1/16" (510mm)	8-3/8" (213mm)	5
GF30083-03	21-5/8" (550mm)	8-3/8" (213mm)	5



Zbox Rear Mounting Bracket		
Item #	Description	Box Qty
GF30102-15	Face frame rear mounting bracket	300

GRASS ZBOX METAL DRAWER SYSTEM ACCESSORIES

A
B
C
D
E
F
G
H
I
J
K
L
M
N
O
P
Q
R
S
T
U
V
W
X
Y



Door Protectors for Pull-Outs

- Protects door when insets are pulled out
- Attaches to the bottom of the pull-out
- Sold in full boxes of 100. Available any quantity.

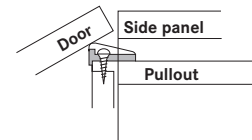


Item #	Description
GF6197-LH-W	6197 Protector, Left
GF6197-RH-W	6197 Protector, Right



Door/Drawer Protector

- Attaches to side of wooden pull-out
- Designed for inset pull-out trays for frame or frameless cabinetry



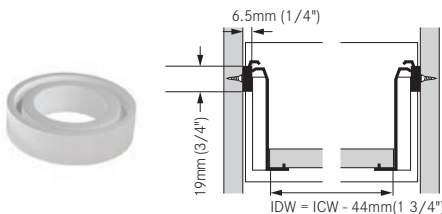
Item #
GF13096



6036 Support Bracket

- Attaches to the center of wide drawers for support
- Elongated holes for drawer front adjustments
- Sold in full boxes of 100. Available any quantity.

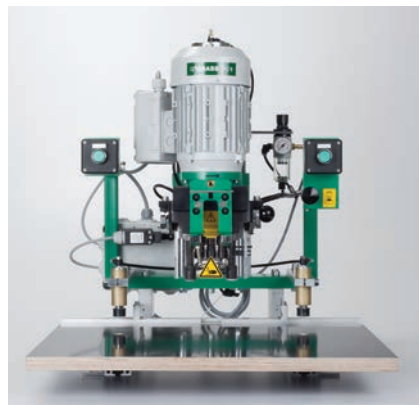
Item #
GF6036B



6036 Spacer for Inset Drawers

Item #
GF00035-K

A GRASS ZBOX MACHINERY



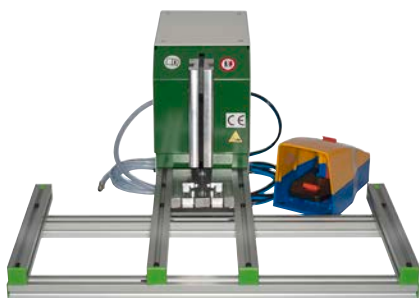
Grass PRO1

- Depth stop can be adjusted to material thickness
- Functional design with fast and efficient operation
- 3 spindle gear box



Item #	Description
GF94559-01	220v Single Phase Pneumatic Machine
GF94560-01	220V Three Phase Pneumatic Machine
GF94561-01	110V Single Phase Pneumatic Machine

B
C
D
E
F
G
H
I
J
K
L
M
N
O
P
Q
R
S
T
U
V
W
X
Y



ZRAM

- Designed for manual assembly of dowelled ZBOX 6023, 6223, and 6423
- Operated by a foot pedal - air required
- No adjustment required when using various drawer heights
- Economical solution for drawer assembly

Item #
GF93250

