

SECTION E - TABLE OF CONTENTS

Section E Contents:

Epoxy Drawer Slides..... 2-14
 PRO Full Extension & Soft-Close
 Drawer Slides..... 15-18
 KV Light-Duty Drawer Slides..... 19-24
 KV Medium-Duty Drawer Slides..... 25-32
 KV Heavy Duty Drawer Slides..... 33-40
 KV Keyboard & Specialty Slides.....41-44
 Sugatsune Stainless Steel
 Drawer Slides.....45
 King Slide Soft-Close
 Drawer Slides..... 46
 PRO Undermount Drawer Slides.....47-49
 Blum Undermount Drawer Slides.....50-80
 Grass Undermount Drawer Slides..... 81-92
 King Slide Undermount
 Drawer Slides.....93
 KV Undermount Drawer Slides..... 94-95
 Salice Undermount Drawer Slides.....96
 Brackets, Spacers, & Accessories.....97-101
 File Drawer Frame Systems.....102-105
 Drawer Front Mounting Brackets
 & Adjusters.....106
 Drawer Pushers, Label Holders,
 & Index Followers.....107
 Grass Drawer Accessories.....108

TIP-ON BLUMOTION

Two Features – One Great Solution

blum.com



- A
- B
- C
- D
- E**
- F
- G
- H
- I
- J
- K
- L
- M
- N
- O
- P
- Q
- R
- S
- T
- U
- V
- W
- X
- Y

FIND IT FAST!

Screw & Fastener Quickfind



Look for the icon above at:
www.wurthbaersupply.com or
 scan the code to the left to go
 directly to the Screw &
 Fastener Quickfind Lookup.

Note: Some of the items in this section are not available in all markets. Please contact your Würth Baer Supply representative for more information.



For every living area



Opens with a push



Opens with a pull



A
B
C
D
E
F
G
H
I
J
K
L
M
N
O
P
Q
R
S
T
U
V
W
X
Y

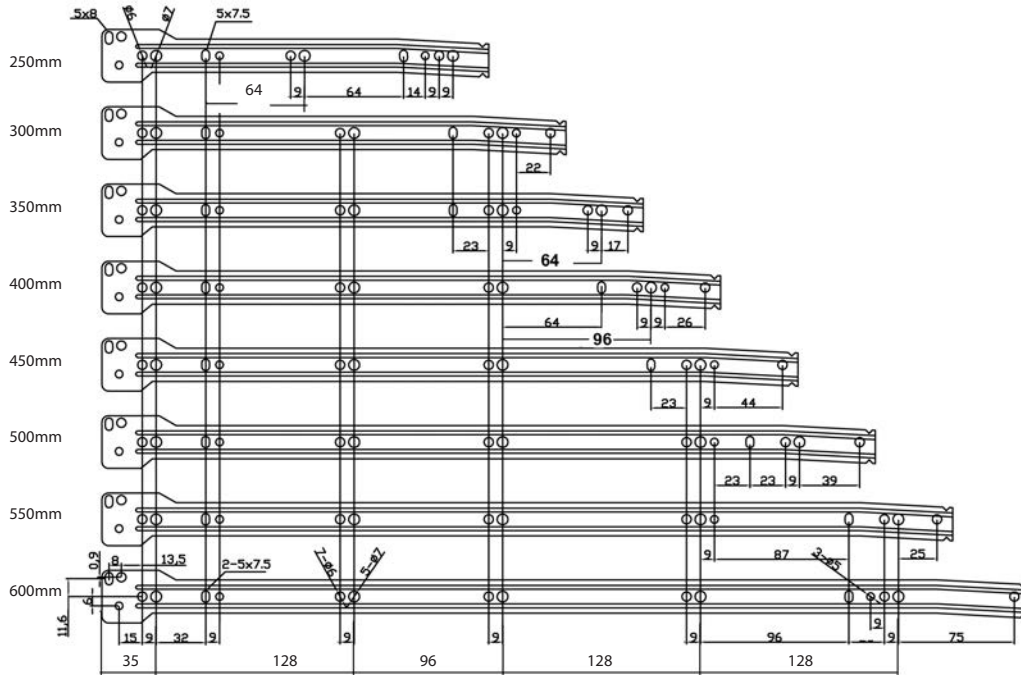
PRO 50 SERIES EPOXY DRAWER SLIDES



Pro 50 Series 3/4 Extension Epoxy Self-Closing Drawer Slides

- Mounting: Bottom
- Weight Rating: 75 lbs.
- Clearance: 1/2" + 1/32" -0
- Material: 1.2mm Cold Rolled Steel
- Hole Pattern: 32mm
- Finish: Cream White
- Industry Rated: BHMA, KCMA, BIFMA, ANSI
- ANSI/BIFMA Grade 1 tested
- Single captive design
- Double out stop with lift out disconnect
- Designed for face frame and frameless applications
- Drawer slides sold in full boxes of 25

| Item # | Size |
|------------|------|
| DSPRO50-14 | 14" |
| DSPRO50-16 | 16" |
| DSPRO50-18 | 18" |
| DSPRO50-20 | 20" |
| DSPRO50-22 | 22" |



DSPRO50RB-R - Right Bracket
DSPRO50RB-L - Left Bracket

Sockets can add up to 57mm (2-1/4") to the length of the slide.

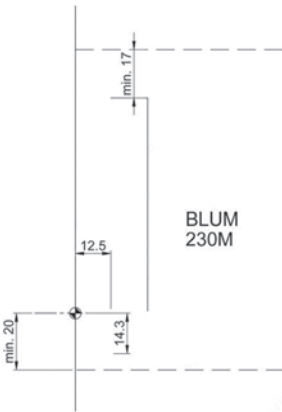
BLUM EPOXY DRAWER SLIDES



230M Series Standard Drawer Runners



- Single extension, bottom mounted
- Durable epoxy coating in white and cream finish
- Smooth running synthetic rollers on tempered steel axles
- 1/2" side clearance



| Length | 25 ST Pack Item # | Polybag Item # |
|---|-------------------|----------------|
| White Finish | | |
| 12" | BP230M3000WHM | BP230M3000WHP |
| 14" | BP230M3500WHM | BP230M3500WHP |
| 16" | BP230M4000WHM | BP230M4000WHP |
| 18" | BP230M4500WHM | BP230M4500WHP |
| 20" | BP230M5000WHM | BP230M5000WHP |
| 22" | BP230M5500WHM | BP230M5500WHP |
| 24" | BP230M6000WHM | BP230M6000WHP |
| 26" | - | BP230M6500WHP |
| Cream Finish - 25 ST Pack Item # | | |
| 12" | BP230M3000CRM | |
| 14" | BP230M3500CRM | |
| 16" | BP230M4000CRM | |
| 18" | BP230M4500CRM | |
| 20" | BP230M5000CRM | |
| 22" | BP230M5500CRM | |
| 24" | BP230M6000CRM | |



Blum 230M Rear Sockets

| Item # | Description |
|----------|--------------------|
| BP602300 | RH Rear Socket |
| BP602301 | LH Rear Socket |
| BP602320 | LH/RH Rear Sockets |

A
B
C
D
E
F
G
H
I
J
K
L
M
N
O
P
Q
R
S
T
U
V
W
X
Y

A BLUM EPOXY DRAWER SLIDES



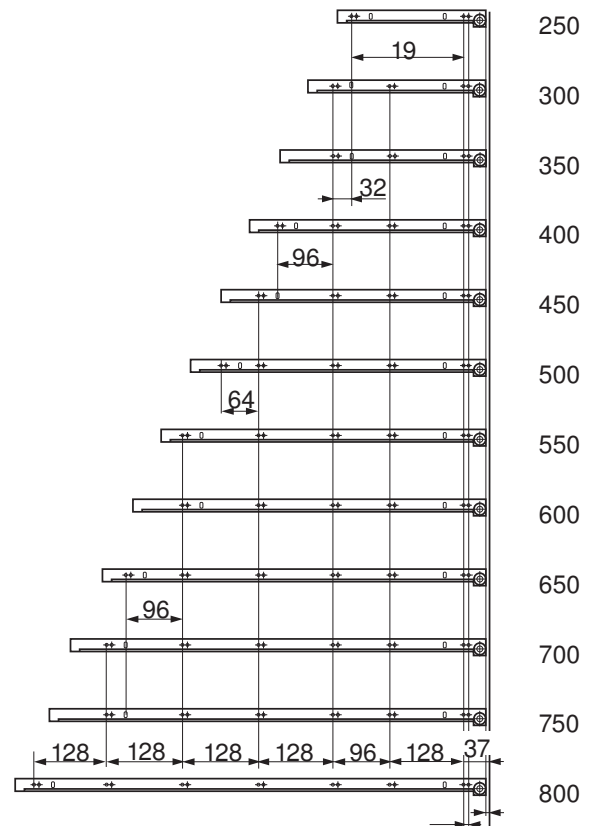
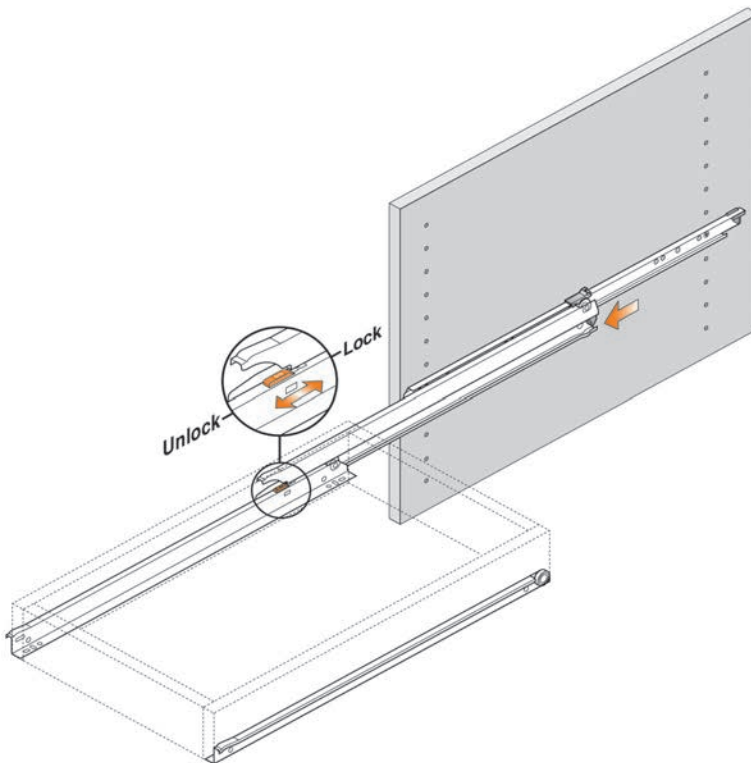
430 Series Standard Drawer Runners



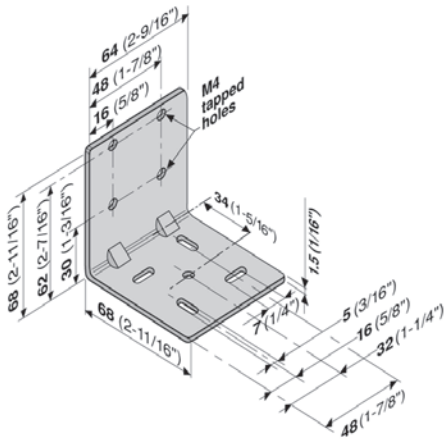
- Full extension, bottom mounted
- Durable epoxy coating in cream
- Smooth running synthetic rollers on tempered steel axles
- Double captive profiles
- 1/2" side clearance
- Lock out stops to prevent drawer removal
- Intermediate profiles lock out for easy drawer installation
- 1-1/4" over extension
- Detents in the drawer and intermediate profiles hold the drawer closed
- Packaged in full boxes of 10. Available any quantity.

• Note: No rear mount sockets available for 430 series. For frame cabinets, block out behind profiles

| Item # | Length |
|---------------|--------|
| BP430E2500CR | 10" |
| BP430E3000CRM | 12" |
| BP430E3500CR | 14" |
| BP430E4000CR | 16" |
| BP430E4500CR | 18" |
| BP430E5000CR | 20" |
| BP430E5500CRM | 22" |
| BP430E6000CR | 24" |



BLUM EPOXY DRAWER SLIDE ACCESSORIES

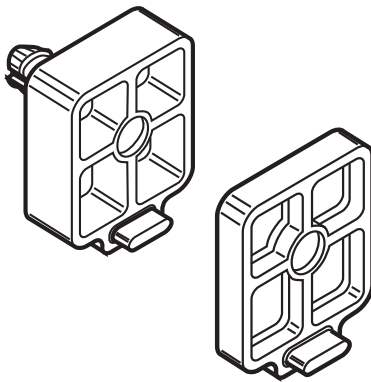


Runner Mounting Bracket

- For mounting Blum runner to the floor of a binet or roll-out tray
- Packaged in full boxes of 50. Available any quantity.



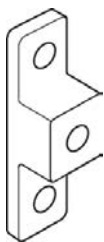
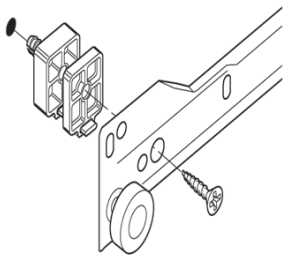
| |
|---------------|
| Item # |
| BP2954000 |



Cabinet Profile Spacers

- Used to space runners away from cabinet side to clear door protrusion on interior roll-out trays
- Two thicknesses available that can be stacked up to 15/16" (24mm)
- Synthetic, neutral color
- Use spacers on front, middle, and rear of each cabinet profile for adequate support
- Packaged in full boxes of 1,000. Available any quantity.

| | Item # | Description |
|---|---------------|--|
| A | BP320M0188 | 5/16" (8mm) with 3/16" (5mm) x 11 mm Dowel for Linebore Mounting |
| B | BP320M0048 | 5/32" (4mm) Stackable |
| C | Special Order | 5/16" (8mm) Stackable |



Heavy Duty Spacer

- 1-1/4" (32mm) x 3/4" (19mm)
- For 230/430 series drawer slides
- Packaged in full boxes of 1,300. Available any quantity.

| |
|---------------|
| Item # |
| BP6027500000 |

A
B
C
D
E
F
G
H
I
J
K
L
M
N
O
P
Q
R
S
T
U
V
W
X
Y

A
B
C
D
E
F
G
H
I
J
K
L
M
N
O
P
Q
R
S
T
U
V
W
X
Y

BLUM EPOXY DRAWER SLIDE ACCESSORIES

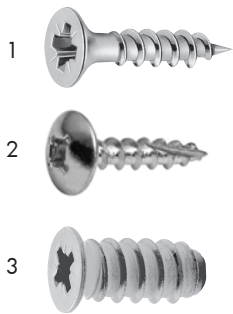


Door Protectors

- For pull-out surrounds to prevent damage to doors
- Fixed to the underside of the drawer
- For 230M and 430E runners
- Symmetrical
- Epoxy coated steel with synthetic rollers
- Cream color



| Item # |
|-----------|
| BP2982200 |



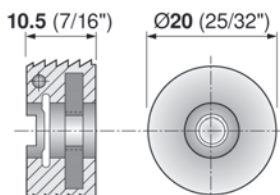
Wood Screws

| | Item # | Description | Box Qty |
|---|-------------|--|---------|
| 1 | BP606N100 | #6 x 5/8", #2 Phillips Deep Thread | 100 |
| | BP606N1000 | #6 x 5/8", #2 Phillips Deep Thread | 1000 |
| | BP606P1000 | #6 x 5/8", #2 POZI Deep Thread | 1000 |
| 2 | BP612TH100 | #6 x 1/2", #2 Phillips Truss Head | 100 |
| 3 | BP6611150HG | 7/16" (11.5mm) #2 POZI Deep Thread Euro Screws | 1,000 |
| | BP6611300HG | 1/2" (13mm) #2 POZI Deep Thread Euro Screws | 1,000 |



POZI Driver and Bit

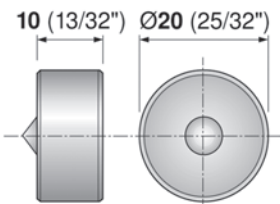
| Item # | Description |
|--------------|-------------------------|
| BPPOZIDRIVER | #2 POZI Driver |
| BPPOZIBIT | #2 x 1" POZI bit insert |



Drawer Front Adjusters

- Nylon housing with pre-mounted 8-32 steel nut
- For four-sided drawers
- Adjusts height and side-to-side by 3/16" (5mm)
- Packaged in full boxes of 1,000. Available any quantity.

| Item # |
|-----------|
| BP2951000 |



Marking Gauge

- For marking center holes for knock-in drawer front adjusters
- For wooden 3-sided drawers
- Packaged in full boxes of 10. Available any quantity.

| Item # |
|------------|
| BP65295010 |

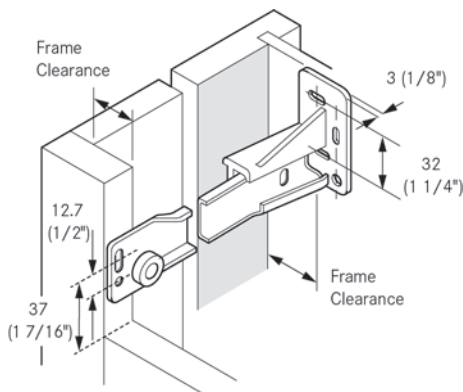


Minifix

- For precise positioning of cabinet profile fixing screws
- For 230M and 230E runners

| Item # |
|----------|
| BP653300 |

GRASS EPOXY DRAWER SLIDES



6600 Series 75lb Side Mounted/Bottom Lip Drawer Slides

- Side mounted with bottom lip for easy location
- Higher side screws prevent drawer sides from splitting
- Features 86mm (3-3/8") self-closing action, stability washer behind captive roller
- Profiled to prevent contact with possible protruding screw heads
- Side clearance 12.7mm (1/2")
- Extended length accommodates face frame cabinet depth
- Features extended front to provide clearance for inset trays, no extra blocking required
- Ideal for 3/8" lipped drawer fronts
- Face frame screw hole centers at 3/8", can also be stapled
- Made in the USA
- Slides sold in full boxes only. Sockets available any quantity.

| 6600 Epoxy Drawer Slides - Bulk Packs | | | |
|---------------------------------------|--------|-----------------|---------|
| Item # | Finish | Length | Box Qty |
| GFB6600-450-W | White | 18" (450mm) | 20 |
| GFB6600-500-W | White | 20" (500mm) | 20 |
| GFB6600-550-W | White | 22" (550mm) | 20 |
| GFB6600-570-W | White | 22-1/2" (570mm) | 20 |

| 6600 Epoxy Drawer Slides - Production Packs | | | | |
|---|--------|-----------------|----------------------|---------|
| Item # | Finish | Length | Box Qty | Box Qty |
| GFCM6600C-570-W | White | 22-1/2" (570mm) | Drawer Member Left | 100 |
| GFCM6600D-570-W | White | 22-1/2" (570mm) | Drawer Member Right | 100 |
| GFCM6600A-582-W | White | 23" (582mm) | Cabinet Member Left | 100 |
| GFCM6600B-582-W | White | 23" (582mm) | Cabinet Member Right | 100 |

| Face Frame Sockets | | |
|--------------------|------------------------------|---------|
| Item # | Description | Box Qty |
| GF6600L | 6600 Socket, Screw on, Left | 500 |
| GF6600R | 6600 Socket, Screw on, Right | 500 |

A
B
C
D
E
F
G
H
I
J
K
L
M
N
O
P
Q
R
S
T
U
V
W
X
Y

GRASS EPOXY DRAWER SLIDES



6610 Series 75lb Bottom Mounted Epoxy Drawer Slides



- Bottom mounted with additional side mounting holes for convenience
- Features 60mm (2-5/8") parallel self-closing action
- Adapts to frame or frameless construction
- Available in almond and white epoxy finish
- Side clearance 12.7mm (1/2")
- Made in the USA
- Slides sold in full boxes of 20 only. Sockets available any quantity.



6610 Epoxy Drawer Slides - White

| Item # | Length | Box Qty |
|---------------|-------------|---------|
| GFB6610-350-W | 14" (350mm) | 20 |
| GFB6610-400-W | 16" (400mm) | 20 |
| GFB6610-450-W | 18" (450mm) | 20 |
| GFB6610-500-W | 20" (500mm) | 20 |
| GFB6610-550-W | 22" (550mm) | 20 |

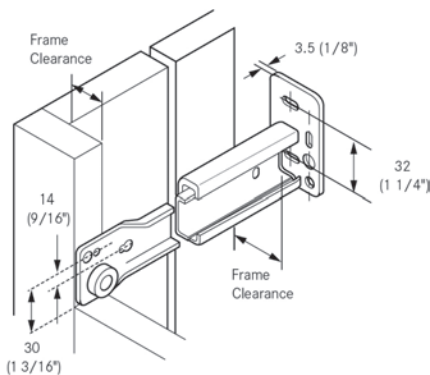


6610 Epoxy Drawer Slides - Almond

| Item # | Length | Box Qty |
|---------------|-------------|---------|
| GFB6610-350-A | 14" (350mm) | 20 |
| GFB6610-400-A | 16" (400mm) | 20 |
| GFB6610-450-A | 18" (450mm) | 20 |
| GFB6610-500-A | 20" (500mm) | 20 |
| GFB6610-550-A | 22" (550mm) | 20 |

6610 Face Frame Sockets

| Item # | Description |
|---------|--------------------------------------|
| GF6620L | 6610 Adapter Socket, Screw on, Left |
| GF6620R | 6610 Adapter Socket, Screw on, Right |



GRASS EPOXY DRAWER SLIDES

A
B
C
D
E
F
G
H
I
J
K
L
M
N
O
P
Q
R
S
T
U
V
W
X
Y



1702 Series 100lb Epoxy Drawer Slides

- Single-extension slide with nylon rollers
- Installation width 12.7mm (1/2"), bottom mounting
- Parallel closing
- Secure closing, minimum gap widths
- Bottom edge clearance - no chamfering required
- Clearance of screw head in cabinet slide
- Double stop
- Secure stop in open position
- Use rear mount socket for face frame application
- Slides sold in full boxes of 25 only. Sockets available any quantity.



| 1702 Epoxy Drawer Slides - White | |
|----------------------------------|-------------|
| Item # | Length |
| GF1702.250.2 | 10" (250mm) |
| GF1702.300.2 | 12" (300mm) |
| GF1702.350.2 | 14" (350mm) |
| GF1702.400.2 | 16" (400mm) |
| GF1702.450.2 | 18" (450mm) |
| GF1702.500.2 | 20" (500mm) |
| GF1702.550.2 | 22" (550mm) |
| GF1702.575.2 | 23" (575mm) |

| Rear Mounting Sockets for 1702 Series Epoxy Drawer Slides | | | |
|---|----------------------------------|-------|---------|
| Item # | Description | Color | Box Qty |
| GF499.217.00.0249 | 1700 Rear Mounting Socket, Left | White | 25 |
| GF499.217.00.0149 | 1700 Rear Mounting Socket, Right | White | 25 |

A GRASS EPOXY DRAWER SLIDES



5300 Series 125lb Bottom Mount Full Extension Slides



- Full-extension slide with nylon rollers
- 125 lb load capacity
- Installation width 12.7mm (1/2"), bottom mounting
- 30mm (1-3/16") over-extension
- Easy access
- Central rail can be adjusted
- Secure parallel closing
- Removal protection
- Secure connection of drawer to cabinet
- Bottom edge clearance
- Close fit of drawer slide at bottom
- Sold in full boxes of 10 only.



| 5300 Series Drawer Slides | | |
|---------------------------|--------|--------|
| Item # | Length | Finish |
| GF5300.350.2 | 14" | White |
| GF5300.400.2 | 16" | White |
| GF5300.450.2 | 18" | White |
| GF5300.500.2 | 20" | White |
| GF5300.550.2 | 22" | White |

P



1754 Series 100lb Bottom Mount Tilt Front Drawer Slides

- Single-extension slide with tilt bracket, nylon rollers
- Installation width 12.7mm (1/2"), bottom mounting
- Front can be tilted
- Access to trays from front
- Parallel closing
- Secure closing
- Bottom edge clearance - no chamfering required
- Close fit of drawer at bottom
- Double stop
- Secure stop in open position
- Use rear mount socket for face frame application
- Sold in full boxes of 10 only.

| 1754 Epoxy Drawer Slides | | |
|--------------------------|-------------|--------|
| Item # | Length | Finish |
| GF1754.500.2 | 20" (500mm) | White |
| GF1754.550.2 | 22" (550mm) | White |

GRASS EPOXY DRAWER SLIDE ACCESSORIES

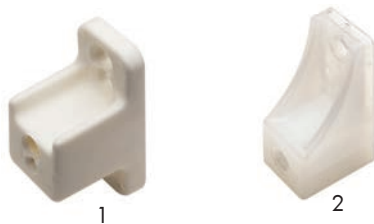
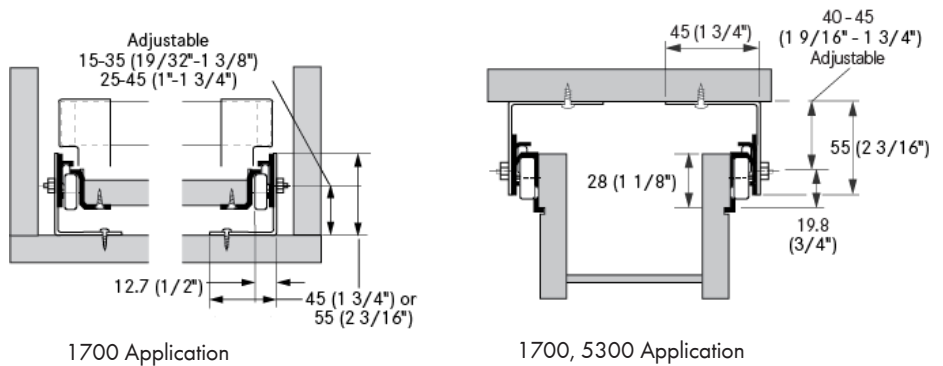


| |
|---------------|
| Item # |
| GF6196-W |

6196 Bracket - For 1700 and 5300 Drawer Slide Applications



- Attaches cabinet member of drawer slide if no side panel is available
- Bracket can be used for right or left
- Packaged in full boxes of 50. Available any quantity.



6195 Spacers for Cabinet Members

- Designed for doors protruding into the cabinet and for inset drawers
- White finish
- Packaged in full boxes of 20. Available any quantity.

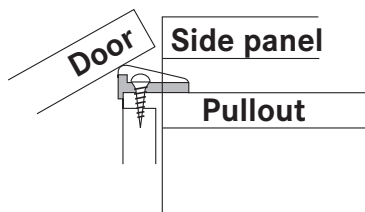
| | Item # | Description |
|---|---------------|---|
| 1 | GF86478-39 | 6195 Spacer, 1" (25mm), Screw-on |
| 2 | GF13097 | 6195 Spacer/Pin, 1" (25mm), Screw-on with Pin |



Door/Drawer Protector

- Attaches to side of wooden pull-out
- Designed for inset pull-out trays for frame or frameless cabinetry
- White finish
- Packaged in full boxes of 500. Available any quantity.

| |
|---------------|
| Item # |
| GF13096 |



A
B
C
D
E
F
G
H
I
J
K
L
M
N
O
P
Q
R
S
T
U
V
W
X
Y

GRASS EPOXY DRAWER SLIDE ACCESSORIES

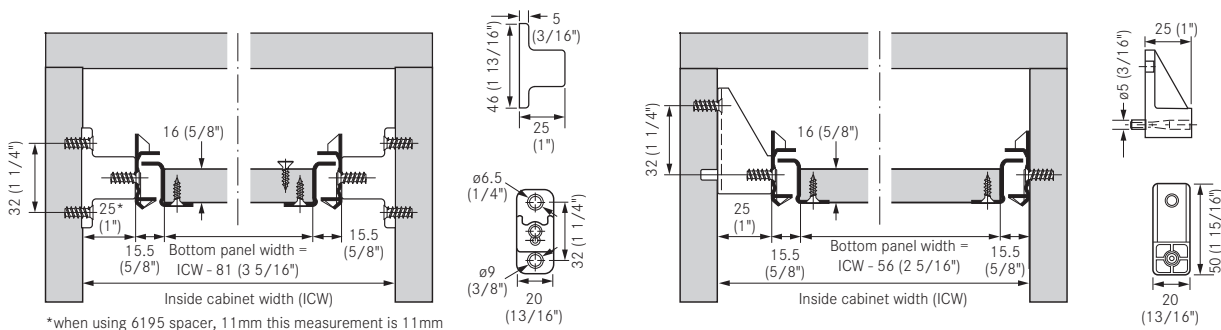


3800/3802 Spacers for Cabinet Members



- Designed to provide side clearance for interior drawers and pullout shelves
- White finish
- Packaged in full boxes of 100. Available any quantity.

| | Item # | Description |
|---|-----------------|--------------------------|
| 1 | ME3800.13.VE100 | 3800 Spacer, Symmetrical |
| 2 | ME3802.13.VE100 | 3802 Spacer, Symmetrical |



Euro Screws, Nickel-Plated

- Packaged in full boxes of 500 only.



1



2

| | Item # | Description |
|---|------------|------------------------------|
| 1 | GF81015K | 13mm Euro Screw (1/2") |
| | GF83000K | 18mm Euro Screw (1 1/16") |
| | GF83001K | 7.5mm Euro Screw (5/16") |
| 2 | MEEEUROSCW | 11mm Euro Screw (7/16") Pozi |

Wood Screws, Nickel-Plated

- Packaged in full boxes of 500 only.



| Item # | Description |
|---------|-------------------------|
| GF81014 | #6 x 1/2" Phillips Head |
| GF81001 | #6 x 5/8" Phillips Head |
| GF81003 | #6 x 3/4" Phillips Head |
| GF81004 | #6 x 1" Phillips Head |

Pozidrive Screwdriver



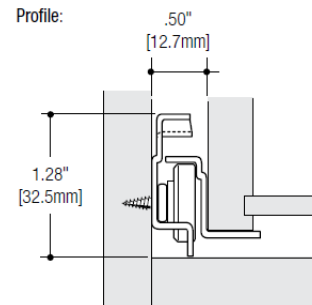
| Item # | Description |
|------------|--------------------------|
| GFPOZIDRIV | #2 Pozidrive Screwdriver |

KV 1284 EPOXY DRAWER SLIDES

KV 1284 Epoxy-Coated Drawer Slides

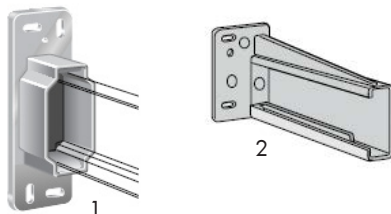


- Positive stop
- Stay close design
- Lift out disconnect
- Recommended maximum drawer width 18"
- Mounting: Side
- Action: Ball-bearing rollers
- Load Rating: 75 lb. class
- Height: 1.28" [32.5mm]
- Clearance: .50" + .03" - 0" on each side
- Finish: Almond (ALM), White (WH)
- Bulk items sold 10 sets per box only without screws
- Polybag items sold 1 set per bag with screws
- Q-packs sold 50 sets per carton only without screws, multiple cartons



| 1284 White Finish | | | Q-Packs | | | |
|-------------------|--------------|----------------|-------------------------|-------------------------|--------------------------|--------------------------|
| Size | Bulk Item # | Polybag Item # | RH Drawer Member Item # | LH Drawer Member Item # | RH Cabinet Member Item # | LH Cabinet Member Item # |
| 14" | KV1284B-14-W | — | KV1284Q96-14-W | KV1284Q97-14-W | KV1284Q98-14-W | KV1284Q99-14-W |
| 16" | KV1284B-16-W | KV1284P-16-A | KV1284Q96-16-W | KV1284Q97-16-W | KV1284Q98-16-W | KV1284Q99-16-W |
| 18" | KV1284B-18-W | KV1284P-18-A | KV1284Q96-18-W | KV1284Q97-18-W | KV1284Q98-18-W | KV1284Q99-18-W |
| 20" | KV1284B-20-W | KV1284P-20-A | KV1284Q96-20-W | KV1284Q97-20-W | KV1284Q98-20-W | KV1284Q99-20-W |
| 22" | KV1284B-22-W | KV1284P-22-A | KV1284Q96-22-W | KV1284Q97-22-W | KV1284Q98-22-W | KV1284Q99-22-W |
| 24" | KV1284B-24-W | KV1284P-24-A | KV1284Q96-24-W | KV1284Q97-24-W | KV1284Q98-24-W | KV1284Q99-24-W |
| 26" | KV1284B-26-W | KV1284P-26-A | KV1284Q96-26-W | KV1284Q97-26-W | KV1284Q98-26-W | KV1284Q99-26-W |

| 1284 Almond Finish | | | Q-Packs | | | |
|--------------------|--------------|----------------|-------------------------|-------------------------|--------------------------|--------------------------|
| Size | Bulk Item # | Polybag Item # | RH Drawer Member Item # | LH Drawer Member Item # | RH Cabinet Member Item # | LH Cabinet Member Item # |
| 14" | KV1284B-14-A | — | KV1284Q96-14-A | KV1284Q97-14-A | KV1284Q98-14-A | KV1284Q99-14-A |
| 16" | KV1284B-16-A | KV1284P-16-A | KV1284Q96-16-A | KV1284Q97-16-A | KV1284Q98-16-A | KV1284Q99-16-A |
| 18" | KV1284B-18-A | KV1284P-18-A | KV1284Q96-18-A | KV1284Q97-18-A | KV1284Q98-18-A | KV1284Q99-18-A |
| 20" | KV1284B-20-A | KV1284P-20-A | KV1284Q96-20-A | KV1284Q97-20-A | KV1284Q98-20-A | KV1284Q99-20-A |
| 22" | KV1284B-22-A | KV1284P-22-A | KV1284Q96-22-A | KV1284Q97-22-A | KV1284Q98-22-A | KV1284Q99-22-A |
| 24" | KV1284B-24-A | KV1284P-24-A | KV1284Q96-24-A | KV1284Q97-24-A | KV1284Q98-24-A | KV1284Q99-24-A |
| 26" | — | KV1284P-26-A | KV1284Q96-26-A | KV1284Q97-26-A | KV1284Q98-26-A | KV1284Q99-26-A |



| Mounting Brackets | | | |
|-------------------|-------------|--|---------|
| | Item # | Description | Box Qty |
| 1 | KV1123-PLAS | Plastic Rear Mounting Bracket | 500 |
| 2 | KV1284LB-4R | Right Hand Plastic Rear Mounting Bracket | 500 |
| | KV1284LB-4L | Left Hand Plastic Rear Mounting Bracket | 500 |
| | KV1284-4R | Right Hand Plastic Rear Mounting Bracket | 200 |
| | KV1284-4L | Left Hand Plastic Rear Mounting Bracket | 200 |

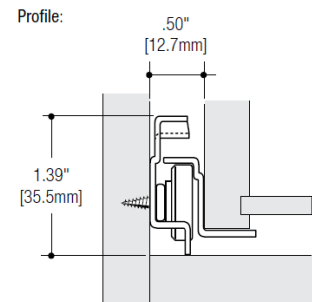
A
B
C
D
E
F
G
H
I
J
K
L
M
N
O
P
Q
R
S
T
U
V
W
X
Y

A KV 1805 EPOXY DRAWER SLIDES

B KV 1805 Epoxy-Coated Drawer Slides



- 32mm mounting hole pattern
- Lift out disconnect
- Self-close design
- Recommended maximum drawer width 18"
- Mounting: Side
- Action: Rollers
- Load Rating: 75 lb. class
- Height: 1.39" [35.5mm]
- Clearance: .50" + .03" - 0" on each side
- Finish: Almond (ALM), White (WH)
- Q-packs sold 100 sets per carton only without screws, multiple cartons
- T-packs are sold 1 set taped together without screws. 20 sets per carton available any quantity.



| 1805 White Finish | | Q-Packs | | | |
|-------------------|---------------|-------------------------|-------------------------|--------------------------|--------------------------|
| Length | T-Pack Item # | RH Drawer Member Item # | LH Drawer Member Item # | RH Cabinet Member Item # | LH Cabinet Member Item # |
| 11-13/16" (300mm) | KV1805TWH-300 | KV1805Q96WH-300 | KV1805Q97WH-300 | KV1805Q98WH-300 | KV1805Q99WH-300 |
| 13-3/4" (350mm) | KV1805TWH-350 | KV1805Q96WH-350 | KV1805Q97WH-350 | KV1805Q98WH-350 | KV1805Q99WH-350 |
| 15-3/4" (400mm) | KV1805TWH-400 | KV1805Q96WH-400 | KV1805Q97WH-400 | KV1805Q98WH-400 | KV1805Q99WH-400 |
| 17-3/4" (450mm) | KV1805TWH-450 | KV1805Q96WH-450 | KV1805Q97WH-450 | KV1805Q98WH-450 | KV1805Q99WH-450 |
| 19-3/4" (500mm) | KV1805TWH-500 | KV1805Q96WH-500 | KV1805Q97WH-500 | KV1805Q98WH-500 | KV1805Q99WH-500 |
| 21-5/8" (550mm) | KV1805TWH-550 | KV1805Q96WH-550 | KV1805Q97WH-550 | KV1805Q98WH-550 | KV1805Q99WH-550 |
| 23-5/8" (600mm) | KV1805TWH-600 | KV1805Q96WH-600 | KV1805Q97WH-600 | KV1805Q98WH-600 | KV1805Q99WH-600 |

| 1805 Almond Finish | | Q-Packs | | | |
|--------------------|---------------|-------------------------|-------------------------|--------------------------|--------------------------|
| Length | T-Pack Item # | RH Drawer Member Item # | LH Drawer Member Item # | RH Cabinet Member Item # | LH Cabinet Member Item # |
| 11-13/16" (300mm) | KV1805TAL-300 | KV1805Q96AL-300 | KV1805Q97AL-300 | KV1805Q98AL-300 | KV1805Q99AL-300 |
| 13-3/4" (350mm) | KV1805TAL-350 | KV1805Q96AL-350 | KV1805Q97AL-350 | KV1805Q98AL-350 | KV1805Q99AL-350 |
| 15-3/4" (400mm) | KV1805TAL-400 | KV1805Q96AL-400 | KV1805Q97AL-400 | KV1805Q98AL-400 | KV1805Q99AL-400 |
| 17-3/4" (450mm) | KV1805TAL-450 | KV1805Q96AL-450 | KV1805Q97AL-450 | KV1805Q98AL-450 | KV1805Q99AL-450 |
| 19-3/4" (500mm) | KV1805TAL-500 | KV1805Q96AL-500 | KV1805Q97AL-500 | KV1805Q98AL-500 | KV1805Q99AL-500 |
| 21-5/8" (550mm) | KV1805TAL-550 | KV1805Q96AL-550 | KV1805Q97AL-550 | KV1805Q98AL-550 | KV1805Q99AL-550 |
| 23-5/8" (600mm) | KV1805TAL-600 | KV1805Q96AL-600 | KV1805Q97AL-600 | KV1805Q98AL-600 | KV1805Q99AL-600 |



| Mounting Brackets | | |
|-------------------|--|---------|
| Item # | Description | Box Qty |
| KV1805-401R | Right Hand Rear Mounting Bracket (4" socket) | 50 |
| KV1805-401L | Left Hand Rear Mounting Bracket (4" socket) | 50 |

PRO 2.0 SERIES BALL BEARING DRAWER SLIDES



PRO 2.0 Series 100 lb. Full Extension Ball Bearing Drawer Slides

- Weight Rating: 100 lbs.
- Type: Full Extension Ball Bearing
- Mounting: Side
- Material: Cold Rolled Steel
- Industry Rated: BHMA, KCMA, BIFMA, ANSI, SEFA 8.99
- Hole Pattern: 32mm
- Finish: Bright Zinc (Black Finish - Special Order)
- Clearance: 1/2" + 1/32" -0
- Continuous bearings ensure smooth and quiet performance
- Unhanded
- Lever disconnect
- Fixed rear brackets available

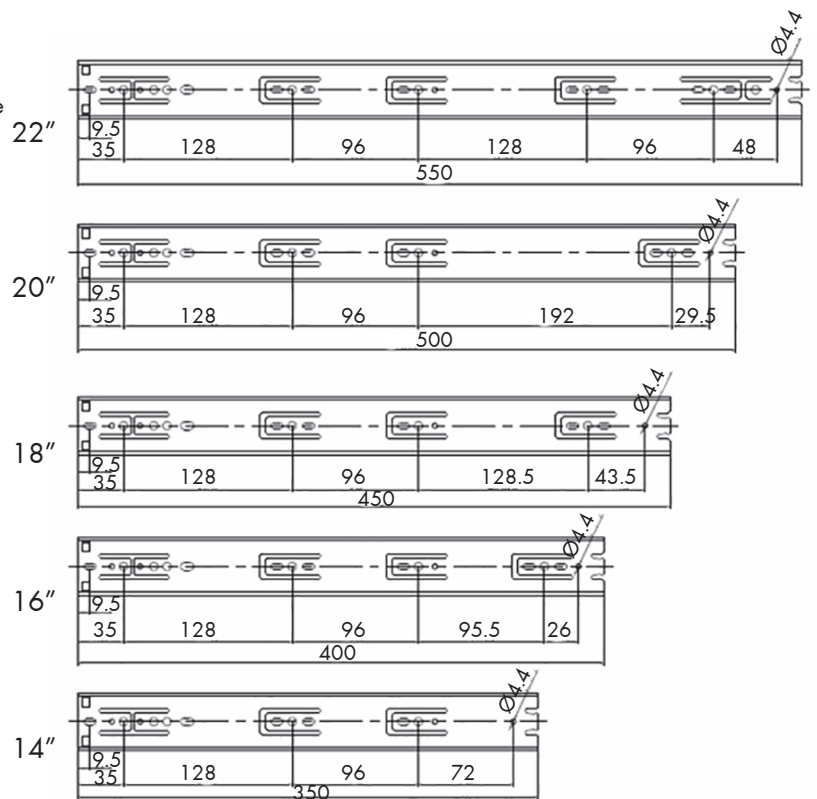
| Item # | Size | Min. Qty |
|-------------|------|----------|
| DSPRO2.0-14 | 14" | 30 |
| DSPRO2.0-16 | 16" | 30 |
| DSPRO2.0-18 | 18" | 20 |
| DSPRO2.0-20 | 20" | 20 |
| DSPRO2.0-22 | 22" | 20 |



Fixed Rear Brackets

- Two required per pair of slides

Item #: DSPRO2.0-RB

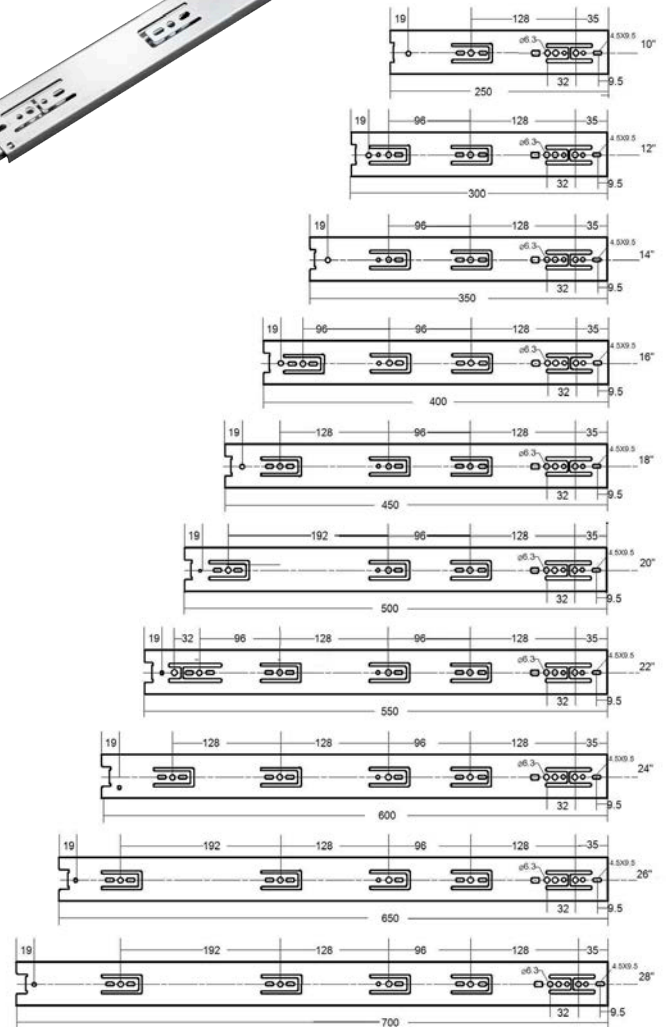
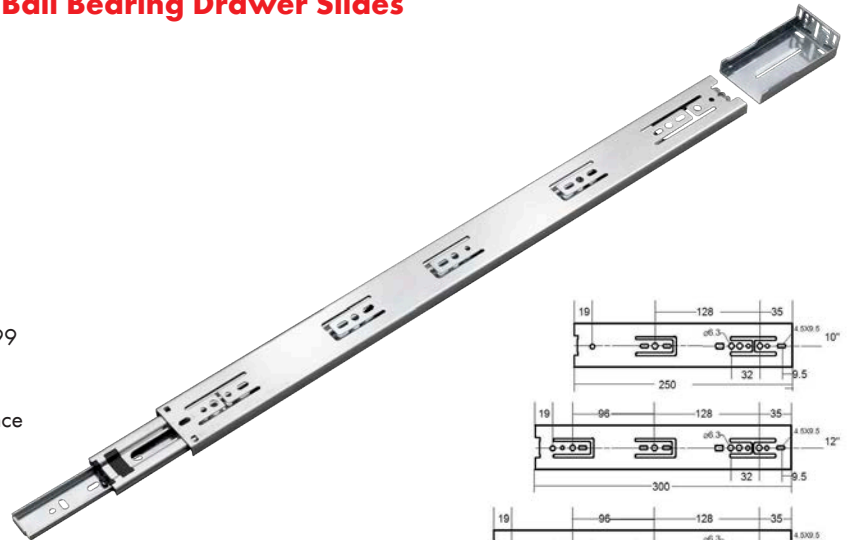


A
B
C
D
E
F
G
H
I
J
K
L
M
N
O
P
Q
R
S
T
U
V
W
X
Y

PRO 100 SERIES BALL BEARING DRAWER SLIDES

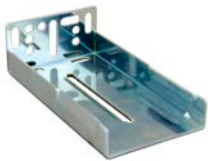
PRO 100 Series 100 lb. Full Extension Ball Bearing Drawer Slides

- Type: Full Extension Ball Bearing
- Mounting: Side
- Weight Rating: 100 lbs.
- Clearance: 1/2" + 1/32" -0
- Material: Cold Rolled Steel
- Hole Pattern: 32mm
- Finish: Bright Zinc
- Industry Rated: BHMA, KCMA, BIFMA, ANSI, SEFA 8.99
- Front slotted hole for mounting directly to face frame
- Continuous bearings ensure smooth and quiet performance
- Unhanded
- Lever disconnect
- Fixed or adjustable rear brackets
- Drawer slides sold in full boxes of 10

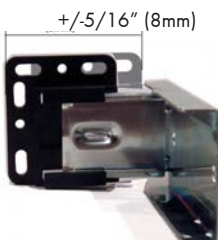


| Item # | Size |
|-------------|------|
| DSPRO100-10 | 10" |
| DSPRO100-12 | 12" |
| DSPRO100-14 | 14" |
| DSPRO100-16 | 16" |
| DSPRO100-18 | 18" |
| DSPRO100-20 | 20" |
| DSPRO100-22 | 22" |
| DSPRO100-24 | 24" |
| DSPRO100-26 | 26" |
| DSPRO100-28 | 28" |

Accessories:



- Item #:** DSPRO100RB
- Two required per pair of slides

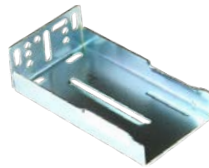


- Item #:** DSPRO100-FLOAT-L
Item #: DSPRO100-FLOAT-R
- Adjusts left or right automatically
 - Prevents slide from "binding" when in operation

PRO 100SC SUPER RAIL SOFT-CLOSE DRAWER SLIDES

PRO 100SC Super Rail Soft-Close Drawer Slides

- Type: Full Extension* Soft-Close Ball Bearing
- Mounting: Side
- Weight Rating: 100 lbs.
- Clearance: 1/2" + 1/32" -0
- Material: Cold Rolled Steel
- Hole Pattern: 32mm
- Finish: Bright Zinc
- Industry Rated: BHMA, KCMA, BIFMA, ANSI, SEFA 8.99
- *14" size is 7/8 extension
- Low pull-out force allows drawers to open easily
- Metal piston in soft-close device ensures smooth action
- Unhanded slides with lever disconnects
- Designed for frameless and face frame applications
- Backed by a limited lifetime warranty



Item #: DSPRO100SC-RB

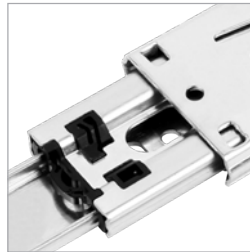
Packing: 100 pair per box

Sold in: Pairs

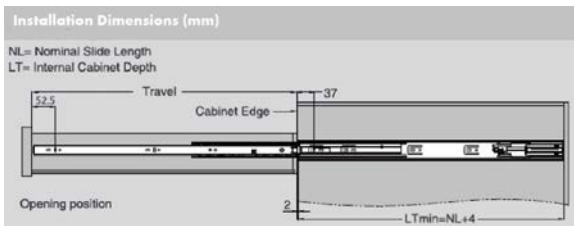


Packing & Sold In: Full box quantities of 10 sets.

| Item # | Size |
|---------------|------|
| DSPRO100SC-14 | 14" |
| DSPRO100SC-16 | 16" |
| DSPRO100SC-18 | 18" |
| DSPRO100SC-20 | 20" |
| DSPRO100SC-22 | 22" |
| DSPRO100SC-24 | 24" |



PRO 100SC Super Rail Drilling Instructions

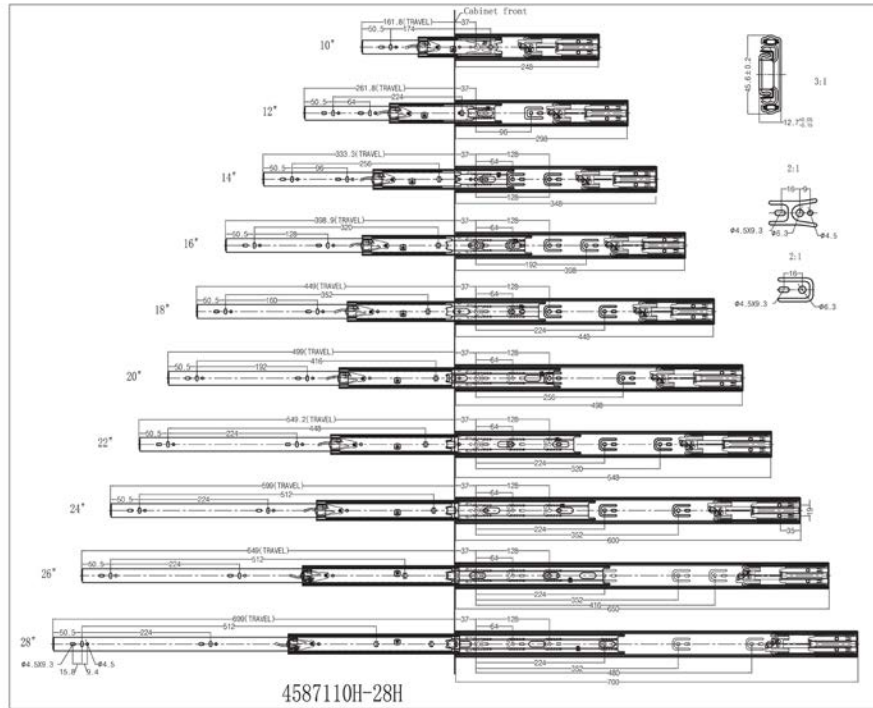


A
B
C
D
E
F
G
H
I
J
K
L
M
N
O
P
Q
R
S
T
U
V
W
X
Y

A
B
C
D
E
F
G
H
I
J
K
L
M
N
O
P
Q
R
S
T
U
V
W
X
Y

PRO 100SC SPECS & PRO 150 LB. FILE DRAWER SLIDES

**PRO100SC
Super Rail Specs**



**Side Mount 150 Lb. Ball Bearing Slides
1" Overtravel Economy File Drawer Slides**



- Non-handed
- Side Clearance: 1/2" Height: 3.79"
- 32mm Pattern: Yes
- Available finishes: Bright Zinc
- Recommended Fasteners: #8 x 7/16" Phillips Pan Head (WW46000)
- Features: Heavy duty extension with progressive movement. Very quiet and smooth function for both box drawer and lateral drawer applications. Drawer rail disconnects from slide with a quick release clip. Handed slide members with unhandled rails. Product can be used in lateral applications up to 30" in width.

| Item # | Size | Item # | Size |
|----------------|------|----------------|------|
| DSPRO5000OT-14 | 14" | DSPRO5000OT-22 | 22" |
| DSPRO5000OT-16 | 16" | DSPRO5000OT-24 | 24" |
| DSPRO5000OT-18 | 18" | DSPRO5000OT-26 | 26" |
| DSPRO5000OT-20 | 20" | DSPRO5000OT-28 | 28" |

KV 1175/1260 LIGHT-DUTY DRAWER SLIDES

KV 1175 3/4 Extension Center Under Drawer Slide



- Mounts with staples or screws
- Drawers lift out for easy removal
- Recommended maximum drawer width 18"
- Mounting: Under-drawer
- Action: Rollers
- Load Rating: 50 lb. class
- Height: 1" [25.4mm]
- Finish: Zinc (ZC)
- Bulk items sold in 50 sets per box only without screws
- Polybag items are packed 1 set per bag with screws

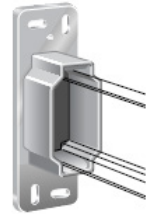


| 1175 Zinc Finish | | |
|------------------|----------------|----------------|
| Length | Bulk Item # | Polybag Item # |
| 18" | – | KV1175P-18 |
| 20" | – | KV1175P-20 |
| 22" | KV1175B-22 | – |
| 22-5/8" | KV1175B-22-5/8 | KV1175P-22-5/8 |
| 24" | – | KV1175P-24 |

1123 Mounting Bracket

- Packaged 500 per box.
- Available any quantity

| Item # |
|-------------|
| KV1123-PLAS |



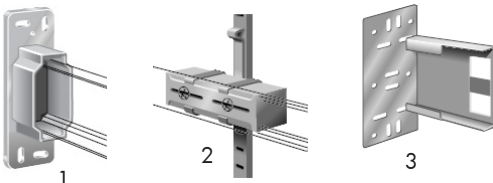
KV 1260 3/4 Extension Drawer Slides



- Positive stop
- Rollers operate on ball-bearings
- Lever disconnect
- Recommended maximum drawer width 18"
- Mounting: Side
- Action: Ball-bearing rollers
- Load Rating: 60 lb. class
- Height: 3.12" [79.4mm]
- Clearance: .50" + .03" - 0" on each side
- Finish: Zinc (ZC), Brown (BRN)
- Bulk items sold 10 sets per box only without screws
- Polybag items sold 1 set per bag with screws



| 1260 Zinc & Brown Finish | | | |
|--------------------------|------------------|---------------------|---------------|
| Length | Zinc Bulk Item # | Zinc Polybag Item # | Brown Bulk # |
| 12" | KV1260B-12 | KV1260P-12 | KV1260BBRN-12 |
| 14" | – | – | KV1260BBRN-14 |
| 16" | KV1260B-16 | KV1260P-16 | KV1260BBRN-16 |
| 18" | KV1260B-18 | KV1260P-18 | KV1260BBRN-18 |
| 20" | KV1260B-20 | KV1260P-20 | KV1260BBRN-20 |
| 22" | KV1260B-22 | KV1260P-22 | KV1260BBRN-22 |



| 1260 Mounting Brackets | | | |
|------------------------|-------------|---|---------|
| | Item # | Description | Box Qty |
| 1 | KV1123-PLAS | Plastic Rear Mounting Bracket | 500 |
| 2 | KV1303 | Vertically Adjustable Side-Mounting Bracket | 100 |
| 3 | KV1304 | Metal Rear Mounting Bracket | 100 |

A
B
C
D
E
F
G
H
I
J
K
L
M
N
O
P
Q
R
S
T
U
V
W
X
Y

A KV 1300 LIGHT-DUTY DRAWER SLIDES

B KV 1300 3/4 Extension Drawer Slides



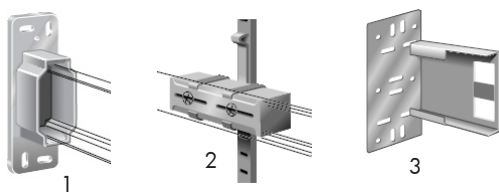
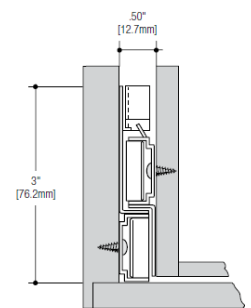
- Positive stop lever
- Stay close design
- Recommended maximum drawer width 18"
- Mounting: Side
- Action: Ball-bearing rollers
- Load Rating: 75 lb. class
- Height: 3" [76.2mm]
- Clearance: .50" + .03" - 0" on each side
- Finish: Almond (ALM), White (WH), Zinc (ZC)
- Bulk items sold 10 sets per box only without screws
- Polybag items sold 1 set per bag with screws



| 1300 Zinc Finish | | |
|------------------|-------------|----------------|
| Length | Bulk Item # | Polybag Item # |
| 12" | — | KV1300P-12 |
| 14" | KV1300B-14 | KV1300P-14 |
| 16" | KV1300B-16 | — |
| 18" | KV1300B-18 | KV1300P-18 |
| 20" | KV1300B-20 | KV1300P-20 |
| 22" | KV1300B-22 | KV1300P-22 |
| 24" | KV1300B-24 | KV1300P-24 |
| 26" | KV1300B-26 | KV1300P-26 |
| 28" | — | KV1300P-28 |

| 1300 Almond Finish | |
|--------------------|---------------|
| Length | Bulk Item # |
| 14" | KV1300ALMB-14 |
| 16" | KV1300ALMB-16 |
| 18" | KV1300ALMB-18 |
| 20" | KV1300ALMB-20 |
| 22" | KV1300ALMB-22 |

| 1300 White Finish | |
|-------------------|--------------|
| Length | Bulk Item # |
| 18" | KV1300WHB-18 |
| 20" | KV1300WHB-20 |
| 22" | KV1300WHB-22 |



| 1260 Mounting Brackets | | | |
|------------------------|-------------|---|---------|
| | Item # | Description | Box Qty |
| 1 | KV1123-PLAS | Plastic Rear Mounting Bracket | 500 |
| 2 | KV1303 | Vertically Adjustable Side-Mounting Bracket | 100 |
| 3 | KV1304 | Metal Rear Mounting Bracket | 100 |

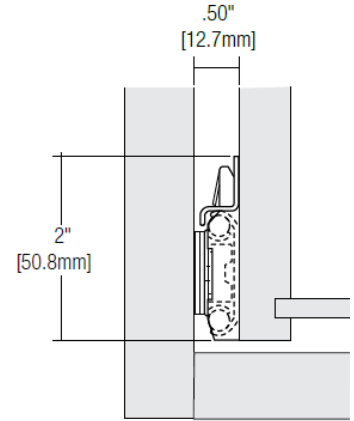
KV 8300 / 8350 LIGHT-DUTY DRAWER SLIDES



KV 8300 3/4 Extension Quick Disconnect Rail Box Drawer Slides



- 32mm mounting hole pattern
- Non-handed quick disconnect drawer members
- Recommended maximum drawer width 24"
- Mounting: Side
- Action: Ball-bearing
- Load Rating: 75 lb. class
- Height: 2" [50.8mm] (includes quick disconnect rails)
- Clearance: .50" + .03" - 0" on each side
- Finish: Anochrome (ANO); Ebony Black (EB) special order
- Polybag items sold 1 set per bag with screws



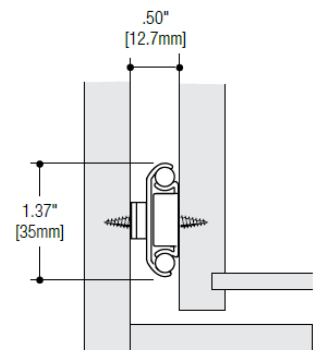
| 8300 Anochrome Finish | |
|-----------------------|------------|
| Length | Item # |
| 12" | KV8300P-12 |
| 16" | KV8300P-16 |
| 18" | KV8300P-18 |
| 20" | KV8300P-20 |
| 22" | KV8300P-22 |
| 24" | KV8300P-24 |



KV 8350 3/4 Extension Drawer Slides



- 32mm mounting hole pattern
- Lever disconnect permits easy drawer removal
- Non-handed design
- Recommended maximum drawer width 24"
- Mounting: Side
- Action: Ball-bearing movement
- Load Rating: 75 lb. class
- Height: 1.37" [35mm]
- Clearance: .50" + .03" - 0" on each side
- Finish: Anochrome (ANO); Ebony Black (EB) special order
- Polybag items sold 1 set per bag with screws



| 8350 Anochrome Finish | |
|-----------------------|------------|
| Length | Item # |
| 12" | KV8350B-12 |
| 14" | KV8350B-14 |
| 16" | KV8350B-16 |
| 18" | KV8350B-18 |
| 24" | KV8350B-24 |
| 26" | KV8350B-26 |

A
B
C
D
E
F
G
H
I
J
K
L
M
N
O
P
Q
R
S
T
U
V
W
X
Y

A
B
C
D
E
F
G
H
I
J
K
L
M
N
O
P
Q
R
S
T
U
V
W
X
Y

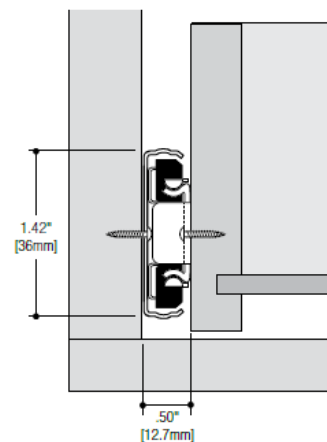
KV 4400 LIGHT-DUTY DRAWER SLIDES



KV 4400 Low Profile Full Extension Drawer Slides



- Lever release
- Hold-in detent
- Recommended maximum drawer width 24"
- Mounting: Side
- Action: Telescopic movement on ball-bearings
- Load Rating: 65 lb. class
- Height: 1.42" [36mm]
- Clearance: .50" + .03" - 0" on each side
- Finish: Zinc (ZC)
- Sold in full boxes of 10 only without screws



| 4400 Zinc Finish | |
|------------------|------------|
| Length | Item # |
| 10" | KV4400B-10 |
| 12" | KV4400B-12 |
| 14" | KV4400B-14 |
| 16" | KV4400B-16 |
| 18" | KV4400B-18 |
| 20" | KV4400B-20 |
| 22" | KV4400B-22 |
| 24" | KV4400B-24 |
| 26" | KV4400B-26 |
| 28" | KV4400B-28 |



1



2

| Mounting Brackets | | | |
|-------------------|---------------|-------------------------------------|---------|
| | Item # | Description | Box Qty |
| 1 | KV4101B-REAR | Rear Mounting Bracket - Unhanded | 20 |
| 2 | KV4104B-FRONT | Front Face Frame Bracket - Unhanded | 20 |

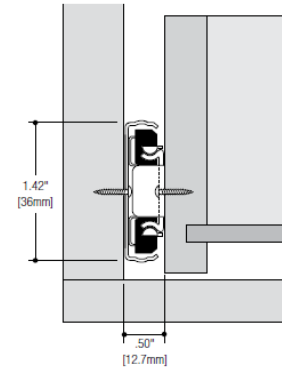
KV 4430 LIGHT-DUTY DRAWER SLIDES



KV 4430 Low Profile Full Extension Push-to-Open Drawer Slides



- Lever release
- Push-to-open module
- Recommended maximum drawer width 24"
- Mounting: Side
- Action: Telescopic movement on ball-bearings
- Load Rating: 65 lb. class
- Height: 1.42" [36mm]
- Clearance: .50" + .03" - 0" on each side
- Finish: Zinc (ZC)
- Sold in full boxes of 10 only without screws



| 4430 Zinc Finish | |
|------------------|------------|
| Length | Item # |
| 10" | KV4430B-10 |
| 12" | KV4430B-12 |
| 14" | KV4430B-14 |
| 16" | KV4430B-16 |
| 18" | KV4430B-18 |
| 20" | KV4430B-20 |
| 22" | KV4430B-22 |
| 24" | KV4430B-24 |



1



2

| Mounting Brackets | | | |
|-------------------|---------------|-------------------------------------|---------|
| | Item # | Description | Box Qty |
| 1 | KV4101B-REAR | Rear Mounting Bracket - Unhanded | 20 |
| 2 | KV4104B-FRONT | Front Face Frame Bracket - Unhanded | 20 |

A
B
C
D
E
F
G
H
I
J
K
L
M
N
O
P
Q
R
S
T
U
V
W
X
Y

A
B
C
D
E
F
G
H
I
J
K
L
M
N
O
P
Q
R
S
T
U
V
W
X
Y

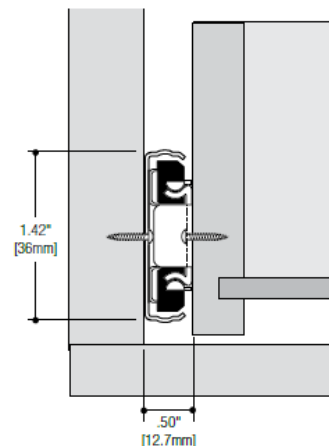
KV 4450 LIGHT-DUTY DRAWER SLIDES



KV 4450 Low Profile Full Extension Soft-Close Drawer Slides



- Lever release
- Soft-close module
- Recommended maximum drawer width 24"
- Mounting: Side
- Action: Soft-close
- Load Rating: 65 lb. class
- Height: 1.42" [36mm]
- Clearance: .50" + .03" - 0" on each side
- Finish: Zinc (ZC)
- Sold in full boxes of 10 only without screws



| 4450 Zinc Finish | |
|------------------|------------|
| Length | Item # |
| 10" | KV4430B-10 |
| 12" | KV4430B-12 |
| 14" | KV4430B-14 |
| 16" | KV4430B-16 |
| 18" | KV4430B-18 |
| 20" | KV4430B-20 |
| 22" | KV4430B-22 |
| 24" | KV4430B-24 |



1



2

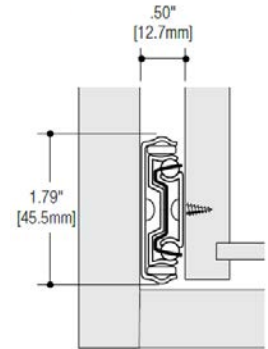
| Mounting Brackets | | | |
|-------------------|---------------|-------------------------------------|---------|
| | Item # | Description | Box Qty |
| 1 | KV4101B-REAR | Rear Mounting Bracket - Unhanded | 20 |
| 2 | KV4104B-FRONT | Front Face Frame Bracket - Unhanded | 20 |

KV 8400 MEDIUM-DUTY DRAWER SLIDES



KV 8400 Full Extension Drawer Slides

- 32mm hole pattern with direct access mounting
- Lever disconnect for easy drawer removal
- Non-handed design
- Recommended maximum drawer width 24"
- Mounting: Side
- Action: Telescopic movement on ball-bearings
- Load Rating: 100 lb. class
- Height: 1.79" [45.5mm]
- Clearance: .50" + .03" - 0" on each side
- Finish: Anochrome (ANO), Ebony Black (EB), White (WH)
- Bulk items sold in full boxes of 10 sets without screws
- Polybag items sold 1 set per bag with screws
- Q-packs (50 sets per box without screws) also available

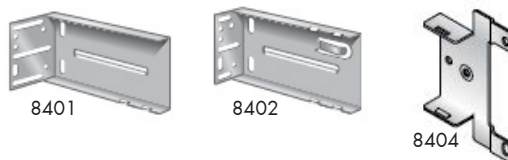


| 8400 Anochrome Finish | | |
|-----------------------|-------------|----------------|
| Length | Bulk Item # | Polybag Item # |
| 8" | KV8400B-8 | KV8400P-8 |
| 10" | KV8400B-10 | KV8400P-10 |
| 12" | KV8400B-12 | KV8400P-12 |
| 14" | KV8400B-14 | KV8400P-14 |
| 16" | KV8400B-16 | KV8400P-16 |
| 18" | KV8400B-18 | KV8400P-18 |
| 20" | KV8400B-20 | KV8400P-20 |
| 22" | KV8400B-22 | KV8400P-22 |
| 24" | KV8400B-24 | KV8400P-24 |
| 26" | KV8400B-26 | KV8400P-26 |
| 28" | KV8400B-28 | KV8400P-28 |

| 8400 Ebony Black Finish | | |
|-------------------------|--------------|----------------|
| Length | Bulk Item # | Polybag Item # |
| 8" | KV8400BEB-8 | — |
| 10" | KV8400BEB-10 | — |
| 12" | KV8400BEB-12 | — |
| 14" | KV8400BEB-14 | — |
| 16" | KV8400BEB-16 | KV8400PEB-16 |
| 18" | KV8400BEB-18 | KV8400PEB-18 |
| 20" | KV8400BEB-20 | KV8400PEB-20 |
| 22" | KV8400BEB-22 | KV8400PEB-22 |
| 24" | KV8400BEB-24 | KV8400PEB-24 |
| 26" | KV8400BEB-26 | — |
| 28" | KV8400BEB-28 | — |

| 8400 White Finish | | |
|-------------------|--------------|----------------|
| Length | Bulk Item # | Polybag Item # |
| 8" | KV8400BWH-8 | — |
| 10" | KV8400BWH-10 | — |
| 12" | KV8400BWH-12 | — |
| 14" | KV8400BWH-14 | — |
| 16" | KV8400BWH-16 | KV8400PWH-16 |
| 18" | KV8400BWH-18 | KV8400PWH-18 |
| 20" | KV8400BWH-20 | KV8400PWH-20 |
| 22" | KV8400BWH-22 | KV8400PWH-22 |
| 24" | KV8400BWH-24 | KV8400PWH-24 |
| 26" | KV8400BWH-26 | — |
| 28" | KV8400BWH-28 | — |

| Mounting Brackets | | |
|-------------------|------------------------------|---------|
| Item # | Description | Box Qty |
| KV8401B | Rear Zinc Mounting Bracket | 20 |
| KV8402 | Rear Zinc Mounting Bracket | 20 |
| KV8402-BBL | Rear Zinc Mounting Bracket | 400 |
| KV8404 | Front Zinc Mounting Bracket | 20 |
| KV8404-B | Front Zinc Mounting Bracket | 100 |
| KV8404-BBL | Front Zinc Mounting Bracket | 400 |
| KV8404-EB | Front Black Mounting Bracket | 20 |
| KV8404-KIT | 2 [8403] + 2 [8404] + Screws | 1 |



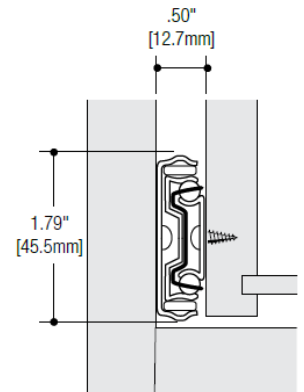
A
B
C
D
E
F
G
H
I
J
K
L
M
N
O
P
Q
R
S
T
U
V
W
X
Y

A KV 8405 MEDIUM-DUTY DRAWER SLIDES

KV 8405 Over-Travel Drawer Slides



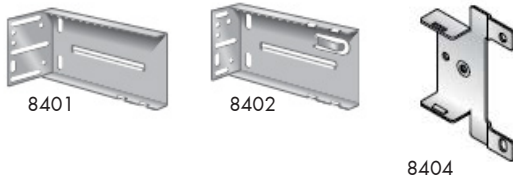
- 1" over travel for full access to drawer contents
- Lever disconnect for easy drawer removal
- Non-handed design
- Recommended maximum drawer width 24"
- Mounting: Side
- Action: Telescopic action on ball-bearings
- Load Rating: 100 lb. class
- Height: 1.79" [45.5mm]
- Clearance: .50" + .03" - 0" on each side
- Finish: Anochrome (ANO), Ebony Black (EB)
- Bulk items sold in full boxes of 10 sets without screws
- Polybag items sold 1 set per bag with screws



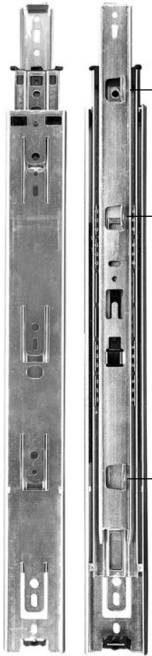
| 8405 Anochrome Finish | | |
|-----------------------|-------------|----------------|
| Length | Bulk Item # | Polybag Item # |
| 10" | KV8405B-10 | KV8405P-10 |
| 12" | KV8405B-12 | KV8405P-12 |
| 14" | KV8405B-14 | KV8405P-14 |
| 16" | KV8405B-16 | KV8405P-16 |
| 18" | KV8405B-18 | KV8405P-18 |
| 20" | KV8405B-20 | KV8405P-20 |
| 22" | KV8405B-22 | KV8405P-22 |
| 24" | KV8405B-24 | KV8405P-24 |
| 26" | KV8405B-26 | KV8405P-26 |
| 28" | KV8405B-28 | KV8405P-28 |
| 28" | KV8400B-28 | KV8400P-28 |

| 8405 Ebony Black Finish | |
|-------------------------|--------------|
| Length | Bulk Item # |
| 10" | KV8405BEB-10 |
| 12" | KV8405BEB-12 |
| 14" | KV8405BEB-14 |
| 16" | KV8405BEB-16 |
| 18" | KV8405BEB-18 |
| 20" | KV8405BEB-20 |
| 22" | KV8405BEB-22 |
| 24" | KV8405BEB-24 |

| Mounting Brackets | | |
|-------------------|------------------------------|---------|
| Item # | Description | Box Qty |
| KV8401B | Rear Zinc Mounting Bracket | 20 |
| KV8402 | Rear Zinc Mounting Bracket | 20 |
| KV8402-BBL | Rear Zinc Mounting Bracket | 400 |
| KV8404 | Front Zinc Mounting Bracket | 20 |
| KV8404-B | Front Zinc Mounting Bracket | 100 |
| KV8404-BBL | Front Zinc Mounting Bracket | 400 |
| KV8404-EB | Front Black Mounting Bracket | 20 |
| KV8404-KIT | 2 [8403] + 2 [8404] + Screws | 1 |



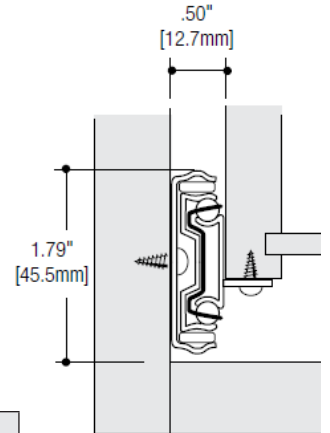
KV 8407 MEDIUM-DUTY DRAWER SLIDES



Tab Detail

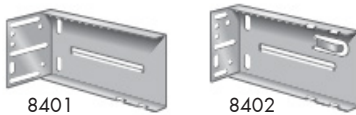
KV 8407 Full Extension Drawer Slides with Shelf Tabs

- 32mm hole pattern with direct access mounting
- Lever disconnect for easy drawer removal
- Integrated shelf tabs
- Recommended maximum drawer width 24"
- Mounting: Side
- Action: Telescopic movement on ball-bearings
- Load Rating: 100 lb. class
- Height: 1.79" [45.5mm]
- Clearance: .50" + .03" - 0" on each side
- Finish: Anochrome (ANO); Ebony Black (EB) special order
- Bulk items sold in full boxes of 10 sets without screws
- Polybag items sold 1 set per bag with screws



8407 Anochrome Finish

| Length | Bulk Item # | Polybag Item # |
|--------|-------------|----------------|
| 10" | KV8407B-10 | — |
| 12" | KV8407B-12 | — |
| 14" | KV8407B-14 | — |
| 16" | KV8407B-16 | KV8407P-16 |
| 18" | KV8407B-18 | KV8407P-18 |
| 20" | KV8407B-20 | KV8407P-20 |
| 22" | KV8407B-22 | KV8407P-22 |
| 24" | KV8407B-24 | — |
| 26" | KV8407B-26 | — |
| 28" | KV8407B-28 | — |



8401

8402



8404

Mounting Brackets

| Item # | Description | Box Qty |
|------------|------------------------------|---------|
| KV8401B | Rear Zinc Mounting Bracket | 20 |
| KV8402 | Rear Zinc Mounting Bracket | 20 |
| KV8402-BBL | Rear Zinc Mounting Bracket | 400 |
| KV8404 | Front Zinc Mounting Bracket | 20 |
| KV8404-B | Front Zinc Mounting Bracket | 100 |
| KV8404-BBL | Front Zinc Mounting Bracket | 400 |
| KV8404-EB | Front Black Mounting Bracket | 20 |
| KV8404-KIT | 2 [8403] + 2 [8404] + Screws | 1 |

A
B
C
D
E
F
G
H
I
J
K
L
M
N
O
P
Q
R
S
T
U
V
W
X
Y

A
B
C
D
E
F
G
H
I
J
K
L
M
N
O
P
Q
R
S
T
U
V
W
X
Y

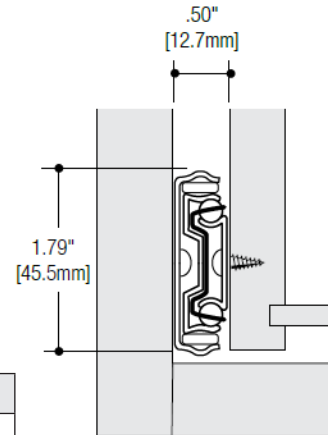
KV 8414 MEDIUM-DUTY DRAWER SLIDES



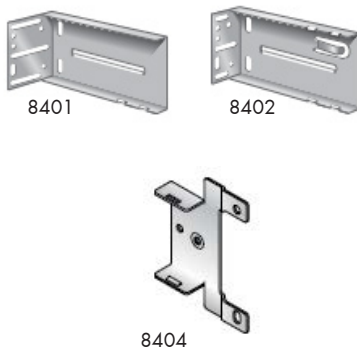
KV 8414 Full Extension Hold-Out Precision Drawer Slides



- 32mm hole pattern with direct access mounting
- Lever disconnect for easy drawer removal
- Hold-out feature holds slide in place when drawer is open
- Recommended maximum drawer width 24"
- Mounting: Side
- Action: Telescopic movement on ball-bearings
- Load Rating: 100 lb. class
- Height: 1.79" [45.5mm]
- Clearance: .50" + .03" - 0" on each side
- Finish: Anochrome (ANO); Ebony Black (EB) special order
- Bulk items sold in full boxes of 10 sets without screws
- Polybag items sold 1 set per bag with screws



| 8414 Anochrome Finish | | |
|-----------------------|-------------|----------------|
| Length | Bulk Item # | Polybag Item # |
| 10" | KV8414B-10 | – |
| 12" | KV8414B-12 | KV8414P-12 |
| 14" | KV8414B-14 | KV8414P-14 |
| 16" | KV8414B-16 | KV8414P-16 |
| 18" | KV8414B-18 | KV8414P-18 |
| 20" | KV8414B-20 | KV8414P-20 |
| 22" | KV8414B-22 | KV8414P-22 |
| 24" | KV8414B-24 | KV8414P-24 |



| Mounting Brackets | | |
|-------------------|------------------------------|---------|
| Item # | Description | Box Qty |
| KV8401B | Rear Zinc Mounting Bracket | 20 |
| KV8402 | Rear Zinc Mounting Bracket | 20 |
| KV8402-BBL | Rear Zinc Mounting Bracket | 400 |
| KV8404 | Front Zinc Mounting Bracket | 20 |
| KV8404-B | Front Zinc Mounting Bracket | 100 |
| KV8404-BBL | Front Zinc Mounting Bracket | 400 |
| KV8404-EB | Front Black Mounting Bracket | 20 |
| KV8404-KIT | 2 [8403] + 2 [8404] + Screws | 1 |

KV 8417/8419/8400RV MEDIUM-DUTY DRAWER SLIDES

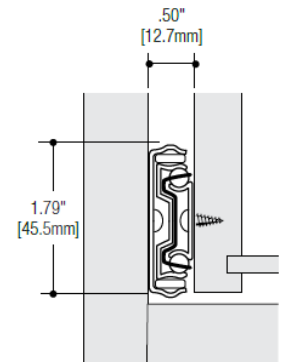
KV 8417, 8419, 8400RV Self-Closing Drawer Slides



- 32mm hole pattern with direct access mounting
- Self-closing feature
- 8400RV features a stronger spring for mobile applications
- Recommended maximum drawer width 24"
- 8417: Self-closing full extension drawer slide
- 8419: Self-closing 1" over travel drawer slide
- 8400RV: Heavy-Duty self-closing full extension drawer slide
- Mounting: Side
- Action: Telescopic movement on ball-bearings
- Load Rating: 100 lb. class (8417/8400RV); 90 lb. class (8419)
- Height: 1.79" [45.5mm]
- Clearance: .50" + .03" - 0" on each side

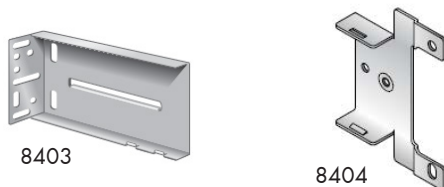
- Finish: Anochrome (ANO), Ebony Black (EB), White (WH)
- Bulk items sold in full boxes of 10 sets without screws
- Polybag items sold 1 set per bag with screws

| 8417 Full Extension Series Drawer Slides | | | | |
|--|-----------------------|--------------------------|-------------------------|-------------------|
| Length | Anochrome Bulk Item # | Anochrome Polybag Item # | Ebony Black Bulk Item # | White Bulk Item # |
| 12" | KV8417B-12 | KV8417P-12 | — | — |
| 14" | KV8417B-14 | KV8417P-14 | KV8417BEB-12 | — |
| 16" | KV8417B-16 | KV8417P-16 | KV8417BEB-14 | — |
| 18" | KV8417B-18 | KV8417P-18 | — | — |
| 20" | KV8417B-20 | KV8417P-20 | — | — |
| 22" | KV8417B-22 | KV8417P-22 | — | KV8417BEW-22 |
| 24" | KV8417B-24 | KV8417P-24 | KV8417BEB-24 | — |
| 26" | KV8417B-26 | KV8417P-26 | KV8417BEB-26 | — |



| 8419 Overtravel Slides - Anochrome Finish | | |
|---|-------------|----------------|
| Length | Bulk Item # | Polybag Item # |
| 14" | KV8419B-14 | KV8419P-14 |
| 16" | KV8419B-16 | KV8419P-16 |
| 18" | KV8419B-18 | KV8419P-18 |
| 20" | KV8419B-20 | KV8419P-20 |
| 22" | KV8419B-22 | KV8419P-22 |
| 24" | KV8419B-24 | KV8419P-24 |
| 26" | KV8419B-26 | KV8419P-26 |

| 8400RV Heavy Duty Full Extension - Anochrome Finish | | | |
|---|--------------|--------|--------------|
| Length | Bulk Item # | Length | Bulk Item # |
| 10" | KV8400BRV-10 | 20" | KV8400BRV-20 |
| 12" | KV8400BRV-12 | 22" | KV8400BRV-22 |
| 14" | KV8400BRV-14 | 24" | KV8400BRV-24 |
| 16" | KV8400BRV-16 | 26" | KV8400BRV-26 |
| 18" | KV8400BRV-18 | 28" | KV8400BRV-28 |



| Mounting Brackets | | |
|-------------------|------------------------------|---------|
| Item # | Description | Box Qty |
| KV8403 | Rear Zinc Mounting Bracket | 20 |
| KV8403-BBL | Rear Zinc Mounting Bracket | 400 |
| KV8404 | Front Zinc Mounting Bracket | 20 |
| KV8404-B | Front Zinc Mounting Bracket | 100 |
| KV8404-BBL | Front Zinc Mounting Bracket | 400 |
| KV8404-EB | Front Black Mounting Bracket | 20 |
| KV8404-KIT | 2 [8403] + 2 [8404] + Screws | 1 |

A
B
C
D
E
F
G
H
I
J
K
L
M
N
O
P
Q
R
S
T
U
V
W
X
Y

KV 8450FM/8455FM MEDIUM-DUTY DRAWER SLIDES

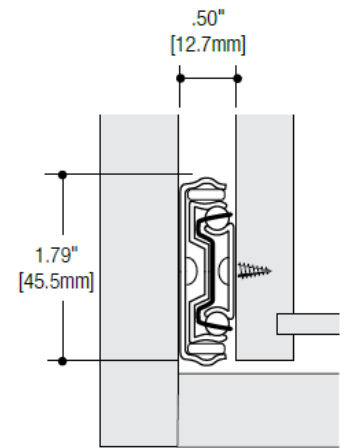
KV 8450FM/8455FM Soft-Close Drawer Slides



- Patented Force Management™ (FM) soft-close technology
- 32mm hole pattern with direct access mounting
- Lever disconnect for easy drawer removal
- Non-handed design
- Recommended maximum drawer width 24"
- 8450FM: Full extension
- 8455FM: 1" Over travel
- Action: Telescopic movement on ball-bearings
- Load Rating: 8450FM: 100 lb. class
- Load Rating: 8455FM: 90 lb. class
- Height: 1.79" [45.5mm]
- Clearance: .50" + .03" - 0" on each side
- Finish: Anochrome (ANO), Ebony Black (EB)
- Bulk items sold in full boxes of 10 sets without screws
- Polybag items sold 1 set per bag with screws



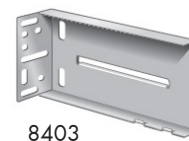
Soft-Close Mechanism



| 8450FM Full Extension Soft-Close Drawer Slides | | | |
|---|-----------------------|--------------------------|-------------------------|
| Length | Anochrome Bulk Item # | Anochrome Polybag Item # | Ebony Black Bulk Item # |
| 12" | KV8450FMB-12 | KV8450FMP-12 | KV8450FMBEB-12 |
| 14" | KV8450FMB-14 | KV8450FMP-14 | KV8450FMBEB-14 |
| 16" | KV8450FMB-16 | KV8450FMP-16 | KV8450FMBEB-16 |
| 18" | KV8450FMB-18 | KV8450FMP-18 | KV8450FMBEB-18 |
| 20" | KV8450FMB-20 | KV8450FMP-20 | KV8450FMBEB-20 |
| 22" | KV8450FMB-22 | KV8450FMP-22 | KV8450FMBEB-22 |
| 24" | KV8450FMB-24 | KV8450FMP-24 | — |
| 26" | KV8450FMB-26 | KV8450FMP-26 | KV8450FMBEB-26 |
| 28" | KV8450FMB-28 | KV8450FMP-28 | — |
| NOTE: 12" slide has 10.2" extension | | | |

| 8455FM 1" Overtravel Soft-Close Drawer Slides | | | |
|--|-----------------------|--------------------------|-------------------------|
| Length | Anochrome Bulk Item # | Anochrome Polybag Item # | Ebony Black Bulk Item # |
| 16" | KV8455FMB-16 | KV8455FMP-16 | KV8455FMBEB-16 |
| 18" | KV8455FMB-18 | KV8455FMP-18 | KV8455FMBEB-18 |
| 20" | KV8455FMB-20 | KV8455FMP-20 | KV8455FMBEB-20 |
| 22" | KV8455FMB-22 | KV8455FMP-22 | KV8455FMBEB-22 |
| 24" | KV8455FMB-24 | KV8455FMP-24 | — |
| 26" | KV8455FMB-26 | KV8455FMP-26 | — |
| 28" | KV8455FMB-28 | KV8455FMP-28 | — |
| NOTE: 12" slide has 10.2" extension | | | |

| Mounting Brackets | | |
|--------------------------|------------------------------|---------|
| Item # | Description | Box Qty |
| KV8403 | Rear Zinc Mounting Bracket | 20 |
| KV8403-BBL | Rear Zinc Mounting Bracket | 400 |
| KV8404 | Front Zinc Mounting Bracket | 20 |
| KV8404-B | Front Zinc Mounting Bracket | 100 |
| KV8404-BBL | Front Zinc Mounting Bracket | 400 |
| KV8404-EB | Front Black Mounting Bracket | 20 |
| KV8404-KIT | 2 [8403] + 2 [8404] + Screws | 1 |



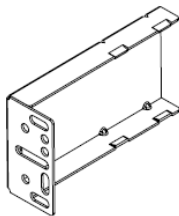
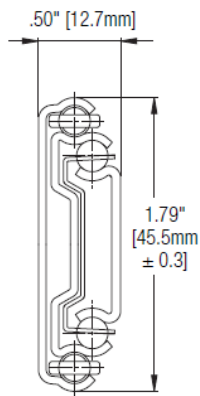
KV 4200/4205 MEDIUM-DUTY DRAWER SLIDES



KV G-Slide 4200 Full Extension & 4205 1" Overtravel Drawer Slides



- 32mm hole pattern
- Lever disconnect for easy drawer removal
- Hold-in detent
- Non-handed design
- Recommended maximum drawer width 24"
- 4200: Full extension
- 4205: 1" Over travel
- Mounting: Side
- Action: Telescopic movement on ball-bearings
- Load Rating: 4200: 100 lb. class
- Load Rating: 4205: 90 lb. class
- Height: 1.79" [45.5mm]
- Clearance: .50" + .03" - 0" on each side
- Finish: Zinc (ZC); Black (EB) special order
- Bulk items sold in full boxes of 10 sets without screws



| G-Slide 4200 Full Extension Slides Zinc Finish | |
|---|-----------|
| Length | Item # |
| 10" | GY4200-10 |
| 12" | GY4200-12 |
| 14" | GY4200-14 |
| 16" | GY4200-16 |
| 18" | GY4200-18 |
| 20" | GY4200-20 |
| 22" | GY4200-22 |
| 24" | GY4200-24 |
| 26" | GY4200-26 |
| 28" | GY4200-28 |

| G-Slide 4205 Overtravel Slides Zinc Finish | |
|---|-----------|
| Length | Item # |
| 10" | GY4205-10 |
| 12" | GY4205-12 |
| 14" | GY4205-14 |
| 16" | GY4205-16 |
| 18" | GY4205-18 |
| 20" | GY4205-20 |
| 22" | GY4205-22 |
| 24" | GY4205-24 |
| 26" | GY4205-26 |
| 28" | GY4205-28 |

| Mounting Brackets | | |
|-------------------|----------------------------|---------|
| Item # | Description | Box Qty |
| GY4340RB | Rear Zinc Mounting Bracket | 200 |

A
B
C
D
E
F
G
H
I
J
K
L
M
N
O
P
Q
R
S
T
U
V
W
X
Y

KV 4270/4260 MEDIUM-DUTY DRAWER SLIDES

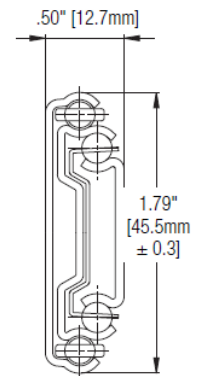
KV G-Slide 4270 Soft-Close Drawer Slides



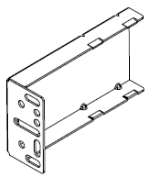
- Soft-close module
- 32mm hole pattern
- Lever disconnect for easy drawer removal
- Non-handed design
- Recommended maximum drawer width 24"
- Mounting: Side
- Action: Telescopic movement on ball-bearings
- Load Rating: 100 lb. class
- Height: 1.79" [45.5mm]
- Clearance: .50" + .03" - 0" on each side
- Finish: Zinc (ZC)
- Bulk items sold in full boxes of 10 sets without screws



| G-Slide 4270 Full Extension Slides | |
|------------------------------------|-----------|
| Length | Item # |
| 12" | GY4270-12 |
| 14" | GY4270-14 |
| 16" | GY4270-16 |
| 18" | GY4270-18 |
| 20" | GY4270-20 |
| 22" | GY4270-22 |
| 24" | GY4270-24 |
| 26" | GY4270-26 |
| 28" | GY4270-28 |
| 28" | GY4200-28 |



| Mounting Brackets | | |
|-------------------|----------------------------|---------|
| Item # | Description | Box Qty |
| GY4340RB | Rear Zinc Mounting Bracket | 200 |



NOTE: 12" slide has an 8.4" extension and 14" slide has an 11.9" extension

KV G-Slide 4260 Push-Open Drawer Slides

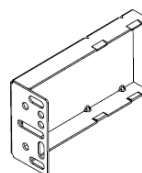


- Push-open feature holds a drawer or tray in the closed position until activated by a slight push
- 32mm hole pattern
- Lever disconnect for easy drawer removal
- Non-handed design
- Recommended maximum drawer width 24"
- Mounting: Side
- Action: Telescopic movement on ball-bearings
- Load Rating: 100 lb. class
- Height: 1.79" [45.5mm]
- Clearance: .50" + .03" - 0" on each side
- Finish: Zinc (ZC)
- Bulk items sold in full boxes of 10 sets without screws



| G-Slide 4260 Full Extension Slides | |
|------------------------------------|-----------|
| Length | Item # |
| 12" | GY4260-12 |
| 14" | GY4260-14 |
| 16" | GY4260-16 |
| 18" | GY4260-18 |
| 20" | GY4260-20 |
| 22" | GY4260-22 |
| 24" | GY4260-24 |
| 26" | GY4260-26 |
| 28" | GY4260-28 |

| Mounting Brackets | | |
|-------------------|----------------------------|---------|
| Item # | Description | Box Qty |
| GY4340RB | Rear Zinc Mounting Bracket | 200 |

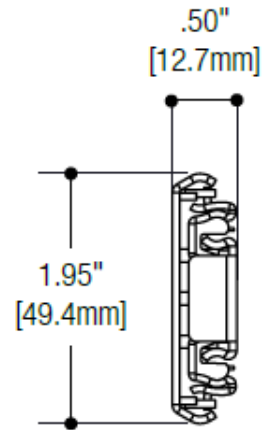


KV 6500/6505 HEAVY-DUTY DRAWER SLIDES

KV 6500 Full Extension Drawer Slides

- Lever disconnect for easy drawer removal
- Closed position hold-in detent
- Non-handed design
- Recommended maximum drawer width 30"
- Mounting: Side
- Action: Telescopic movement on ball-bearings
- Load Rating: 125 lb. class
- Height: 1.95" [49.4mm]
- Clearance: .50" + .03" - 0" on each side
- Finish: Zinc (ZC)
- Sold in full boxes of 5 only without screws

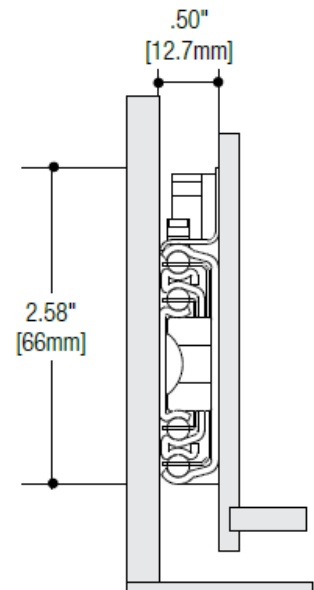
| Length | Item # |
|--------|------------|
| 12" | KV6500B-12 |
| 14" | KV6500B-14 |
| 16" | KV6500B-16 |
| 18" | KV6500B-18 |
| 20" | KV6500B-20 |
| 22" | KV6500B-22 |
| 24" | KV6500B-24 |
| 26" | KV6500B-26 |
| 28" | KV6500B-28 |



KV 6505 Over-Travel Drawer Slides

- 1" over travel for easy access to drawer contents
- Closed position hold-in detent
- Lever disconnect for easy drawer removal
- Recommended maximum drawer width 30"
- Mounting: Side
- Action: Telescopic movement on ball-bearings
- Load Rating: 125 lb. class
- Height: 2.58" [66mm]
- Clearance: .50" + .03" - 0" on each side
- Finish: Zinc (ZC)
- Sold in full boxes of 5 only without screws

| Length | Item # |
|--------|------------|
| 12" | KV6505B-12 |
| 14" | KV6505B-14 |
| 16" | KV6505B-16 |
| 18" | KV6505B-18 |
| 20" | KV6505B-20 |
| 22" | KV6505B-22 |
| 24" | KV6505B-24 |
| 26" | KV6505B-26 |
| 28" | KV6505B-28 |



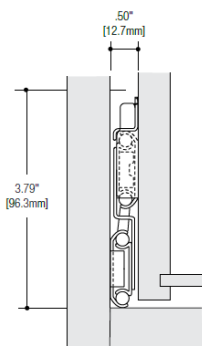
A
B
C
D
E
F
G
H
I
J
K
L
M
N
O
P
Q
R
S
T
U
V
W
X
Y

A
B
C
D
E
F
G
H
I
J
K
L
M
N
O
P
Q
R
S
T
U
V
W
X
Y

KV 8500/8505 HEAVY-DUTY DRAWER SLIDES

KV 8500/8505 Heavy Duty File or Lateral Drawer Slides

- 32mm hole pattern
- Non-handed quick disconnect drawer members
- Hold-in feature to prevent bounce back
- Recommended maximum drawer width: 8500: 36" | 8505: 30"
- 8500: Full extension drawer slide
- 8505: 1.25" over travel drawer slide
- Mounting: Side
- Action: Progressive movement on ball-bearings
- Load Rating: 150 lb. class
- Height: 3.79" [96.3mm] (includes quick disconnect rail)
- Clearance: .50" + .03" - 0" on each side
- Finish: Anochrome (ANO); Ebony Black (EB) also available
- Bulk items sold 5 sets per box without screws
- Polybag items sold 1 set per bag with screws
- Q-packs sold 10 sets per box without screws; multiple cartons



| 8500 Full Extension Drawer Slides - Anochrome Finish | | | Q-Packs | | |
|--|-----------------------|--------------------------|--------------------------|--------------------------|-----------------------|
| Length | Anochrome Bulk Item # | Anochrome Polybag Item # | RH Cabinet Member Item # | LH Cabinet Member Item # | Unhanded Rails Item # |
| 12" | KV8500B-12 | KV8500P-12 | KV8500Q98-12 | KV8500Q99-12 | KV8500-92-12 |
| 14" | KV8500B-14 | KV8500P-14 | KV8500Q98-14 | KV8500Q99-14 | KV8500-92-14 |
| 16" | KV8500B-16 | KV8500P-16 | KV8500Q98-16 | KV8500Q99-16 | KV8500-92-16 |
| 18" | KV8500B-18 | KV8500P-18 | KV8500Q98-18 | KV8500Q99-18 | KV8500-92-18 |
| 20" | KV8500B-20 | KV8500P-20 | KV8500Q98-20 | KV8500Q99-20 | KV8500-92-20 |
| 22" | KV8500B-22 | KV8500P-22 | KV8500Q98-22 | KV8500Q99-22 | KV8500-92-22 |
| 24" | KV8500B-24 | KV8500P-24 | KV8500Q98-24 | KV8500Q99-24 | KV8500-92-24 |
| 26" | KV8500B-26 | KV8500P-26 | — | — | — |
| 28" | KV8500B-28 | — | KV8500Q98-28 | KV8500Q99-28 | KV8500-92-28 |
| 30" | KV8500B-30 | KV8500P-30 | — | — | — |

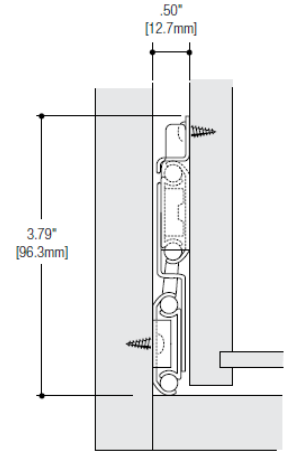
| 8505 Over-Travel Drawer Slides - Anochrome Finish | | | Q-Packs | | |
|---|-----------------------|--------------------------|--------------------------|--------------------------|-----------------------|
| Length | Anochrome Bulk Item # | Anochrome Polybag Item # | RH Cabinet Member Item # | LH Cabinet Member Item # | Unhanded Rails Item # |
| 12" | KV8505B-12 | KV8505P-12 | — | — | — |
| 14" | KV8505B-14 | KV8505P-14 | KV8505Q98-14 | KV8505Q99-14 | KV8500-92-14 |
| 16" | KV8505B-16 | KV8505P-16 | KV8505Q98-16 | KV8505Q99-16 | KV8500-92-16 |
| 18" | KV8505B-18 | KV8505P-18 | KV8505Q98-18 | KV8505Q99-18 | KV8500-92-18 |
| 20" | KV8505B-20 | KV8505P-20 | KV8505Q98-20 | KV8505Q99-20 | KV8500-92-20 |
| 22" | KV8505B-22 | KV8505P-22 | KV8505Q98-22 | KV8505Q99-22 | KV8500-92-22 |
| 24" | KV8505B-24 | — | KV8505Q98-24 | KV8505Q99-24 | KV8500-92-24 |
| 26" | KV8505B-26 | KV8505P-26 | KV8505Q98-26 | KV8505Q99-26 | KV8500-92-26 |
| 28" | KV8505B-28 | KV8505P-28 | — | — | — |
| 30" | KV8505B-30 | KV8505P-30 | — | — | — |

KV 8520/8525 HEAVY-DUTY DRAWER SLIDES

KV 8520/8525 Extra Heavy-Duty File or Lateral Drawer Slides



- 32mm hole pattern
- Non-handed quick disconnect drawer members
- Hold-in feature to prevent bounce back
- Recommended maximum drawer width:
 - 8520: 42"
 - 8525: 36"
- 8520: Full extension drawer slide
- 8525: 1.25" over travel drawer slide
- Mounting: Side
- Action: Progressive movement on ball-bearings
- Load Rating: 175 lb. class
- Height: 3.79" [96.3mm] (includes quick disconnect rail)
- Clearance: .50" + .03" - 0" on each side
- Finish: Anochrome (ANO)
- Bulk items sold 5 sets per box without screws
- Polybag items sold 1 set per bag with screws
- Q-packs sold 10 sets per box without screws; multiple cartons



| 8520 Full Extension Drawer Slides | | | |
|-----------------------------------|-------------|----------------|---------------|
| Length | Bulk Item # | Polybag Item # | Q-Pack Item # |
| 16" | KV8520B-16 | KV8520P-16 | KV8520Q-16 |
| 18" | KV8520B-18 | KV8520P-18 | KV8520Q-18 |
| 20" | KV8520B-20 | KV8520P-20 | — |

| 8525 Over-Travel Drawer Slides | | |
|--------------------------------|-------------|----------------|
| Length | Bulk Item # | Polybag Item # |
| 16" | KV8525B-16 | KV8525P-16 |
| 18" | KV8525B-18 | KV8525P-18 |
| 20" | KV8525B-20 | KV8525P-20 |

A
B
C
D
E
F
G
H
I
J
K
L
M
N
O
P
Q
R
S
T
U
V
W
X
Y

A
B
C
D
E
F
G
H
I
J
K
L
M
N
O
P
Q
R
S
T
U
V
W
X
Y

KV 8600/8605 HEAVY-DUTY DRAWER SLIDES

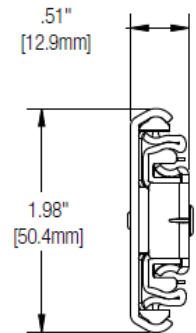
KV 8600 Heavy-Duty Full Extension Drawer Slides

- Butterfly lever disconnect
- Non-handed design
- Recommended maximum drawer width 36"
- Mounting: Side
- Action: Telescopic movement on ball-bearings
- Load Rating (based on application):
 - Load: 150 lb.
 - Max. Drawer Width: 36"
 - Slides: 18"
 - Drawer Width: 36"
 - Cycles: 50,000 (center pull)
 - Height: 1.98" [50.4mm]
 - Clearance: .51" + .01"-0" on each side
 - Finish: Zinc (ZC)
 - Bulk items sold 5 sets per box without screws

- Load: 200 lb.
 - Max. Drawer Width: 36"
 - Slides: 18"
 - Drawer Width: 36"
 - Cycles: 25,000 (center pull)



| Length | Item # |
|--------|------------|
| 12" | KV8600B-12 |
| 14" | KV8600B-14 |
| 16" | KV8600B-16 |
| 18" | KV8600B-18 |
| 20" | KV8600B-20 |
| 22" | KV8600B-22 |
| 24" | KV8600B-24 |
| 26" | KV8600B-26 |
| 28" | KV8600B-28 |



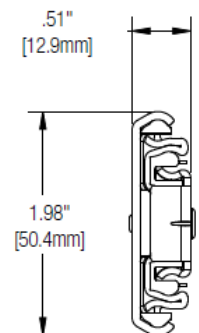
KV 8605 Heavy-Duty Over-Travel Drawer Slides

- Butterfly lever disconnect
- Non-handed design
- Recommended maximum drawer width 36"
- Action: Telescopic movement on ball-bearings
- Load Rating (based on application):
 - Load: 140 lb.
 - Max. Drawer Width: 36"
 - Slides: 18"
 - Drawer Width: 36"
 - Cycles: 50,000 (center pull)
 - Height: 1.98" [50.4mm]
 - Clearance: .51" + .01"-0" on each side
 - Finish: Zinc (ZC)
 - Bulk items sold 5 sets per box without screws

- Load: 190 lb.
 - Max. Drawer Width: 36"
 - Slides: 18"
 - Drawer Width: 36"
 - Cycles: 25,000 (center pull)



| Length | Item # |
|--------|------------|
| 12" | KV8605B-12 |
| 14" | KV8605B-14 |
| 16" | KV8605B-16 |
| 18" | KV8605B-18 |
| 20" | KV8605B-20 |
| 22" | KV8605B-22 |
| 24" | KV8605B-24 |
| 26" | KV8605B-26 |
| 28" | KV8605B-28 |



KV 8650FM/8655FM HEAVY-DUTY DRAWER SLIDES

KV 8650FM Full Extension Soft-Close Drawer Slides

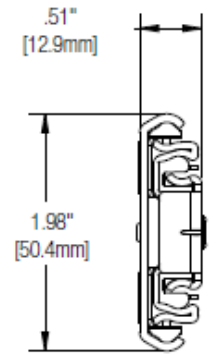


- Patented Force Management (FM) Soft-Close Technology
- Butterfly lever disconnect
- Non-handed design
- Recommended maximum drawer width 36"
- Mounting: Side
- Action: Telescopic movement on ball-bearings
- Load: 150 lb.
 - Max. Drawer Width: 36"
 - Slides: 18"
 - Drawer Width: 36"
 - Cycles: 50,000 (center pull)
- Height: 1.98" [50.4mm]
- Clearance: .51" + .01" - 0" on each side
- Finish: Zinc (ZC)
- Bulk items sold 5 sets per box without screws



| Length | Item # |
|--------|------------|
| 14" | KV8650B-14 |
| 16" | KV8650B-16 |
| 18" | KV8650B-18 |
| 20" | KV8650B-20 |
| 22" | KV8650B-22 |
| 24" | KV8650B-24 |
| 26" | KV8650B-26 |
| 28" | KV8650B-28 |
| 28" | KV8600B-28 |

Profile:



NOTE: 14" slide has an 11" extension and 16" slide has a 15" extension

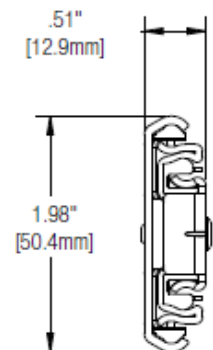
KV 8655FM Heavy-Duty Soft-Close Over-Travel Drawer Slides



- Patented Force Management (FM) Soft-Close Technology
- 1" over travel
- Butterfly lever disconnect
- Non-handed design
- Recommended maximum drawer width 36"
- Mounting: Side
- Action: Telescopic movement on ball-bearings
- Load: 140 lb.
 - Max. Drawer Width: 36"
 - Slides: 18"
 - Drawer Width: 36"
 - Cycles: 50,000 (center pull)
- Height: 1.98" [50.4mm]
- Clearance: .51" + .01" - 0" on each side
- Finish: Zinc (ZC)
- Bulk items sold 5 sets per box without screws



| Length | Item # |
|--------|------------|
| 18" | KV8655B-18 |
| 20" | KV8655B-20 |
| 22" | KV8655B-22 |
| 24" | KV8655B-24 |
| 26" | KV8655B-26 |
| 28" | KV8655B-28 |



A
B
C
D
E
F
G
H
I
J
K
L
M
N
O
P
Q
R
S
T
U
V
W
X
Y

A
B
C
D
E
F
G
H
I
J
K
L
M
N
O
P
Q
R
S
T
U
V
W
X
Y

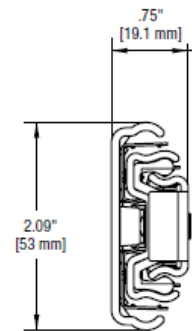
KV 8810/8815 HEAVY-DUTY DRAWER SLIDES

KV 8810 Heavy-Duty Full Extension Drawer Slides

- Non-handed design for easy installation
- Closed-position hold-in detent
- Butterfly lever release
- Recommended maximum drawer width 42"
- Mounting: Side
- Action: Telescopic movement on ball-bearings
- Load Rating: 200 lb. class; 100 lb. flat mount rating
- Height: 2.09" [53mm]
- Clearance: .75" + .03" - 0" on each side
- Finish: Zinc (ZC)
- Bulk items sold 4 sets per box without screws



| Length | Item # |
|--------|------------|
| 10" | KV8810B-10 |
| 12" | KV8810B-12 |
| 14" | KV8810B-14 |
| 16" | KV8810B-16 |
| 18" | KV8810B-18 |
| 20" | KV8810B-20 |
| 22" | KV8810B-22 |
| 24" | KV8810B-24 |
| 26" | KV8810B-26 |
| 28" | KV8810B-28 |

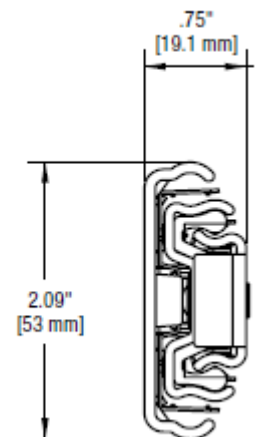


KV 8815 Heavy-Duty Over-Travel Drawer Slides

- Non-handed design for easy installation
- Ideal for large storage drawer applications
- 1" over travel allows for easy access to drawer contents
- Butterfly lever release
- Recommended maximum drawer width 42"
- Mounting: Side
- Action: Telescopic movement on ball-bearings
- Load Rating: 190 lb. class
- Height: 2.09" [53mm]
- Clearance: .75" + .03" - 0" on each side
- Finish: Zinc (ZC)
- Bulk items sold 4 sets per box without screws



| Length | Item # |
|--------|------------|
| 12" | KV8815B-12 |
| 14" | KV8815B-14 |
| 16" | KV8815B-16 |
| 18" | KV8815B-18 |
| 20" | KV8815B-20 |
| 22" | KV8815B-22 |
| 24" | KV8815B-24 |
| 26" | KV8815B-26 |
| 28" | KV8815B-28 |



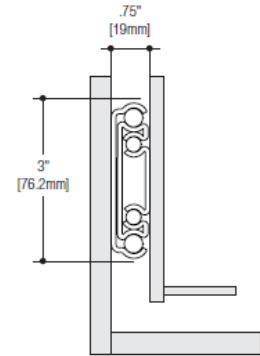
KV 8900 HEAVY-DUTY DRAWER SLIDES



KV 8900 Extra Heavy-Duty Full Extension Drawer Slides



- Heavy-Duty stops are designed to withstand rough use
- Non-handed design for easy installation
- Full extension travel
- Non-disconnect
- Mounting: Side
- Action: Telescopic movement on ball-bearings
- Load Rating: 100-500 lb. class depending on application
- 100 lb. flat mount rating
- Height: 3" [76.2mm]
- Clearance: .75" + .03" - 0" on each side
- Finish: Zinc (ZC)
- Bulk items 40" - 60" sold 1 set per box
- Polybag items 12" - 36" sold 1 set per bag



| 8900 Polybag Slides | |
|---------------------|----------------|
| Length | Polybag Item # |
| 12" | KV8900P-12 |
| 14" | KV8900P-14 |
| 16" | KV8900P-16 |
| 18" | KV8900P-18 |
| 20" | KV8900P-20 |
| 22" | KV8900P-22 |
| 24" | KV8900P-24 |

| 8900 Polybag Slides | |
|---------------------|----------------|
| Length | Polybag Item # |
| 26" | KV8900P-26 |
| 28" | KV8900P-28 |
| 30" | KV8900P-30 |
| 32" | KV8900P-32 |
| 34" | KV8900P-34 |
| 36" | KV8900P-36 |

| 8900 Bulk Slides | |
|------------------|-------------|
| Length | Bulk Item # |
| 40" | KV8900B-40 |
| 42" | KV8900B-42 |
| 44" | KV8900B-44 |
| 48" | KV8900B-48 |
| 60" | KV8900B-60 |

| Load Rating Chart | | |
|-------------------|-------------------------------|-------------------------|
| Load Rating | Test Condition | Open/Close Cycle Tested |
| 500 lb. | 18" slide in 18" width drawer | 10,000 |
| 400 lb. | 18" slide in 42" width drawer | 30,000 |
| 300 lb. | 18" slide in 36" width drawer | 75,000 |
| 100 lb. flat load | 18" slide in 32" width drawer | 10,000 |

A
B
C
D
E
F
G
H
I
J
K
L
M
N
O
P
Q
R
S
T
U
V
W
X
Y

A
B
C
D
E
F
G
H
I
J
K
L
M
N
O
P
Q
R
S
T
U
V
W
X
Y

KV 8908 HEAVY-DUTY DRAWER SLIDES



KV 8908 Extra Heavy-Duty Full Extension Locking Drawer Slides

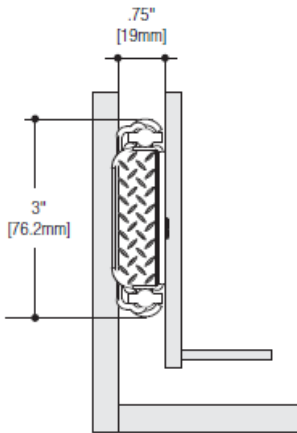


- Automatic lock-in/lock-out feature
- Intuitive uni-directional release/closure
- Removable, ergonomic handle
- Spring-activated latches for vertical and horizontal mounting
- Non-disconnect
- 8908: Extra Heavy-Duty full extension lock-in/lock-out slide
- Mounting: Side or flat mount
- Action: Telescopic movement on ball-bearings
- Load Rating: 100–500 lb. class depending on application
 - 100 lb. flat mount rating
- Height: 3" [76.2mm]
- Clearance: .75" + .03" - 0" on each side

Packaging Info:

- 12" - 20": 8 slides per box without screws
- 22" - 28": 6 slides per box without screws
- 30" - 36": 4 slides per carton without screws
- 40" - 60": 2 slides per box without screws
- Each slide is poly-bagged with instructions included

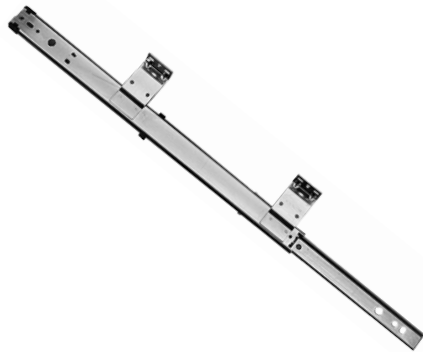
NOTE: Each item is sold per slide, not the set



| Length | Item # |
|--------|------------|
| 12" | KV8908B-12 |
| 14" | KV8908B-14 |
| 16" | KV8908B-16 |
| 18" | KV8908B-18 |
| 20" | KV8908B-20 |
| 22" | KV8908B-22 |
| 24" | KV8908B-24 |
| 26" | KV8908B-26 |
| 28" | KV8908B-28 |

| Length | Item # |
|--------|------------|
| 30" | KV8908B-30 |
| 32" | KV8908B-32 |
| 34" | KV8908B-34 |
| 36" | KV8908B-36 |
| 40" | KV8908B-40 |
| 42" | KV8908B-42 |
| 44" | KV8908B-44 |
| 48" | KV8908B-48 |
| 60" | KV8908B-60 |

KV 8100/8150 KEYBOARD SLIDES

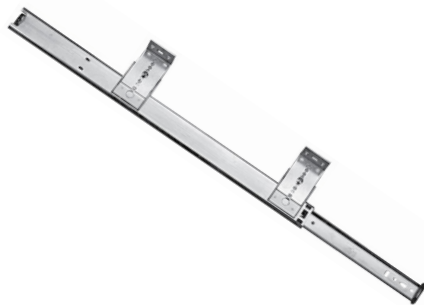
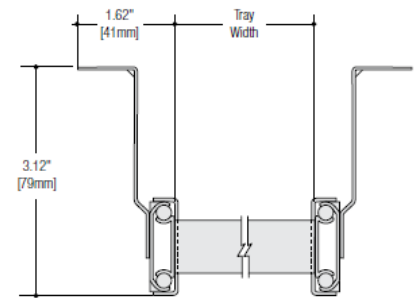


8100 3/4 Extension Keyboard Slides



- Hold-out feature keeps drawer securely in the open position
- Hold-in feature prevents keyboard tray bounce back
- Mounting: Under surface
- Action: Ball-bearing movement
- Load Rating: 75 lb. class
- Height: 3.12" [79mm] overall drop height
- Clearance: 1.62" [41mm] per side
- Finish: Anochrome (ANO)
- Packed and sold 1 set per bag with screws

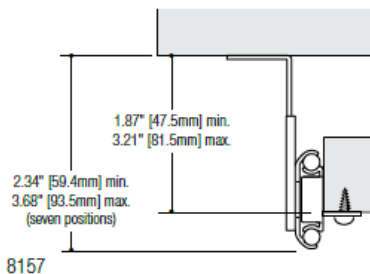
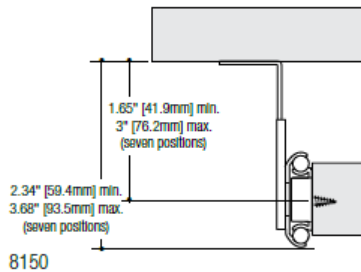
| Length | Item # |
|--------|------------|
| 14" | KV8100P-14 |
| 16" | KV8100P-16 |
| 18" | KV8100P-18 |
| 20" | KV8100P-20 |



8150 & 8157 3/4 Extension Variable Height Keyboard Slides



- Mounting brackets adjust to seven different heights and can be reversed for in-board/out-board mounting
- Track member quickly disconnects using positive lever release, easing installation
- Hold-out feature keeps drawer securely in the open position
- Hold-in feature prevents keyboard tray bounce back
- 8150: 3/4 extension keyboard slide
- 8157: 3/4 extension keyboard slide with shelf tabs
- Mounting: Under surface
- Action: Ball-bearing movement
- Load Rating: 75 lb. class
- Height: Overall drop height adjusts from 2.34" [59.4mm] to 3.68" [93.5mm] in 7/32" increments
- Clearance: 1.62" [41mm] per side out-board; .62 [15.7mm] per side in-board
- Finish: Anochrome (ANO), Ebony Black (EB)
- Packed and sold 1 set per bag with screws



| 8150 Slides | | |
|-------------|------------------|--------------|
| Length | Anochrome Item # | Black Item # |
| 12" | KV8150P-12 | KV8150PEB-12 |
| 14" | KV8150P-14 | KV8150PEB-14 |
| 16" | KV8150P-16 | KV8150PEB-16 |
| 18" | KV8150P-18 | KV8150PEB-18 |
| 20" | KV8150P-20 | KV8150PEB-20 |

| 8157 Slides | | |
|-------------|------------------|--------------|
| Length | Anochrome Item # | Black Item # |
| 14" | KV8157P-14 | KV8157PEB-14 |
| 16" | KV8157P-16 | KV8157PEB-16 |
| 18" | KV8157P-18 | KV8157PEB-18 |

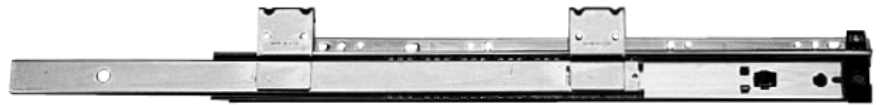
A
B
C
D
E
F
G
H
I
J
K
L
M
N
O
P
Q
R
S
T
U
V
W
X
Y

A KV 8200 / 8250 KEYBOARD SLIDES

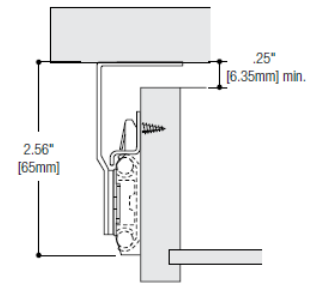
8200 3/4 Extension Pencil or Center Drawer Slides



- Quick disconnect drawer members
- Anti-rebound stay-close design holds pencil drawer in closed position yet allows for easy opening
- Mounting: Under surface
- Action: Ball-bearing movement
- Load Rating: 75 lb. class
- Height: 2.56" [65mm] overall
- Clearance: 1.62" [41mm] per side out-board; .62 [15.7mm] per side in-board
- Finish: Anochrome (ANO); Ebony Black (EB) special order
- Packed and sold 1 set per bag with screws



| Length | Item # |
|--------|------------|
| 16" | KV8200P-16 |
| 18" | KV8200P-18 |
| 20" | KV8200P-20 |
| 22" | KV8200P-22 |



8250 3/4 Extension Variable Height Pencil or Center Drawer Slides



- Mounting brackets adjust to seven heights and can be reversed for in-board and out-board mounting
- Anti-rebound stay-close design holds pencil drawer in closed position yet allows for easy opening
- Track member quickly disconnects using positive lever releases
- Mounting: Under surface
- Action: Ball-bearing movement
- Load Rating: 75 lb. class
- Height: Overall drop height 2.34" [59.4mm] to 3.68" [93.5mm] in 7/32" increments
- Clearance: 1.62" [41mm] per side out-board; .53" [13.5mm] per side in-board
- Finish: Anochrome (ANO); Ebony Black (EB) special order
- Packed and sold 1 set per bag with screws



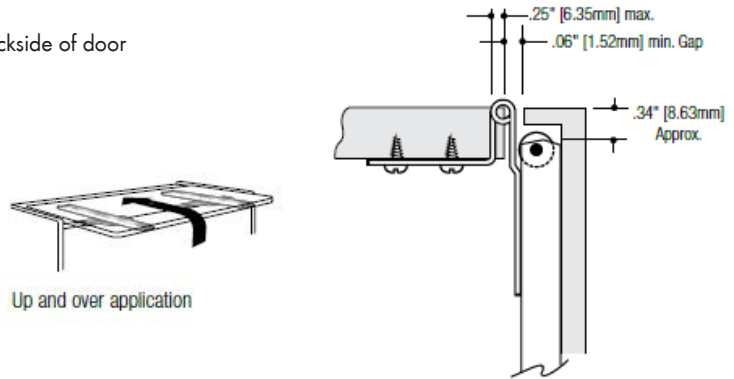
| Length | Item # |
|--------|------------|
| 12" | KV8250P-12 |
| 14" | KV8250P-14 |
| 16" | KV8250P-16 |
| 18" | KV8250P-18 |
| 20" | KV8250P-20 |
| 22" | KV8250P-22 |



KV 8040/8050 HINGED DOOR SLIDES

KV 8040 Hinged Door Slides

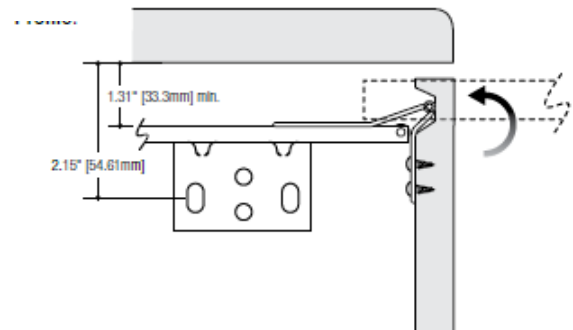
- One piece, non-marring roller
- Permanently staked hinge pin
- 8040EZ: 3/4" offset hinge
- Mounting: Hinge mounts to top of case, and the slide mounts to backside of door
- Action: Ball-bearing movement
- Load Rating: 20 lb. class
- Clearance: .37" [9.5mm] low profile mounts to rear side of door
- Finish: Anochrome (ANO); Ebony Black (EB) special order
- Bulk items sold in full boxes of 10 sets only without screws
- Polybag items sold 1 set per bag with screws



| Length | Bulk Item # | Polybag Item # |
|--------|--------------|----------------|
| 12" | KV8040BEZ-12 | KV8040PEZ-12 |
| 14" | KV8040BEZ-14 | KV8040PEZ-14 |
| 16" | KV8040BEZ-16 | KV8040PEZ-16 |
| 18" | KV8040BEZ-18 | KV8040PEZ-18 |
| 20" | KV8040BEZ-20 | — |
| 22" | KV8040BEZ-22 | KV8040PEZ-22 |
| 24" | — | KV8040PEZ-24 |

KV 8050 Hinged Door Slides

- One-piece, non-marring roller
- Permanently staked hinge pin
- Mounting: Under surface
- Action: Ball-bearing movement
- Load Rating: 20 lb. class
- Clearance: 1.31" [33.3mm] minimum
- Finish: Anochrome (ANO)
- Polybag items sold 1 set per bag with screws



| Length | Polybag Item # |
|--------|----------------|
| 12" | KV8050P-12 |
| 14" | KV8050P-14 |
| 16" | KV8050P-16 |
| 18" | KV8050P-18 |
| 20" | KV8050P-20 |
| 22" | KV8050P-22 |

A KV 8000 & 6400 SPECIALTY DRAWER SLIDES

B KV 8000 Over-Travel Undermount Pantry Drawer Slides

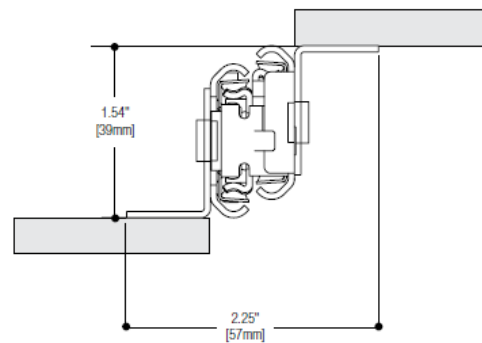


- Removable mounting brackets
- Hold-in detent
- Key-hole style mounting holes
- 1" over travel
- Mounting: Bottom mount
- Action: Telescopic movement on ball-bearings
- Load Rating: 130 lb. class
- Height: 1.54" [39mm]/2.25" [57mm] (includes brackets)
- Clearance: 3/4" (slide only); 2-1/4" (with brackets)
- Finish: Anochrome (ANO)
- Packed and sold 1 set per bag with screws



Removable Mounting Brackets

| Length | Item # |
|--------|------------|
| 12" | KV8000P-12 |
| 14" | KV8000P-14 |
| 16" | KV8000P-16 |
| 18" | KV8000P-18 |
| 20" | KV8000P-20 |
| 22" | KV8000P-22 |
| 24" | KV8000P-24 |
| 26" | KV8000P-26 |
| 28" | KV8000P-28 |



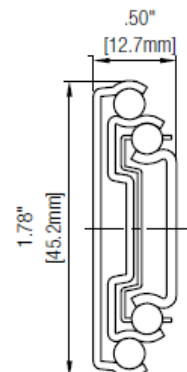
P KV 6400 Stainless Steel Drawer Slides



- 304-Grade stainless steel
- Ideal for use in wet or corrosive environments
- USDA H-1 approved grease
- Lever disconnect
- Recommended drawer width 24"
- Mounting: Side
- Action: Telescopic movement on ball-bearings
- Load Rating: 100 lb. class
- Height: 1.78" [45.2mm]
- Clearance: .50" + .03" - 0" on each side
- Finish: Stainless Steel (SS)



| Length | Item # |
|--------|---------------|
| 16" | KV6400P-SS-16 |
| 18" | KV6400P-SS-18 |
| 20" | KV6400P-SS-20 |
| 22" | KV6400P-SS-22 |



SUGATSUNE STAINLESS STEEL BALL BEARING DRAWER SLIDES

A
B
C
D
E
F
G
H
I
J
K
L
M
N
O
P
Q
R
S
T
U
V
W
X
Y



Sugatsune ESR-3813 Series Stainless Steel Drawer Slides



- Full extension
- Front disconnect
- Positive stop
- Hold-in detent
- Non-handed
- Sold in pairs
- Mount with M4 or #8 Binding, Pan, or Truss head screws
- Screws are not included

| Item# | Size | Load Rating Per Pair | Material |
|---------------|------|----------------------|---------------------|
| SLESR-3813-10 | 10" | 92 Lbs. | 304 Stainless Steel |
| SLESR-3813-12 | 12" | 88 Lbs. | 304 Stainless Steel |
| SLESR-3813-16 | 16" | 79 Lbs. | 304 Stainless Steel |
| SLESR-3813-20 | 20" | 73 Lbs. | 304 Stainless Steel |
| SLESR-3813-22 | 22" | 68 Lbs. | 304 Stainless Steel |



Sugatsune ESR-DC4513 Series Stainless Steel Drawer Slides



- Full extension
- Front disconnect
- Positive stop
- Hold-in detent
- Non-handed
- Sold in pairs
- Mount with M4 or #8 Binding, Pan, or Truss head screws
- Screws are not included

| Item# | Size | Load Rating Per Pair | Material |
|-----------------|------|----------------------|---------------------|
| SLESR-DC4513-10 | 10" | 115 Lbs. | 304 Stainless Steel |
| SLESR-DC4513-12 | 12" | 111 Lbs. | 304 Stainless Steel |
| SLESR-DC4513-14 | 14" | 108 Lbs. | 304 Stainless Steel |
| SLESR-DC4513-16 | 16" | 104 Lbs. | 304 Stainless Steel |
| SLESR-DC4513-18 | 18" | 100 Lbs. | 304 Stainless Steel |
| SLESR-DC4513-20 | 20" | 97 Lbs. | 304 Stainless Steel |
| SLESR-DC4513-22 | 22" | 95 Lbs. | 304 Stainless Steel |
| SLESR-DC4513-24 | 24" | 92 Lbs. | 304 Stainless Steel |
| SLESR-DC4513-26 | 26" | 90 Lbs. | 304 Stainless Steel |
| SLESR-DC4513-28 | 28" | 87 Lbs. | 304 Stainless Steel |

A
B
C
D
E
F
G
H
I
J
K
L
M
N
O
P
Q
R
S
T
U
V
W
X
Y

KING SLIDE SOFT-CLOSE BALL BEARING DRAWER SLIDES



Side Mount 75 Lb., Ball Bearing Slides Soft-Close Full Extension Slides



- Side Clearance: 1/2" Height: 1-13/16"
- 32mm Pattern: Yes
- Features: Soft-close function, 1-3/8" soft-close travel distance
- Recommended Fasteners: #8 x 7/16" Phillips Pan Head (WW46000) not included
- Drawer slides packed in boxes of 10. Available in any quantity.

| Length | Item # | Length | Item # |
|--------|-----------|--------|-----------|
| 14" | KUSIDE-14 | 20" | KUSIDE-20 |
| 16" | KUSIDE-16 | 22" | KUSIDE-22 |
| 18" | KUSIDE-18 | 24" | KUSIDE-24 |

| Brackets (Sold Separately) | | |
|----------------------------|-----------------------|---------|
| Item# | Description | Box Qty |
| KV8403 | Rear Mounting Bracket | 20 |
| KV8403-BBL | Rear Mounting Bracket | 400 |



PRO 500 SERIES UNDERMOUNT DRAWER SLIDES



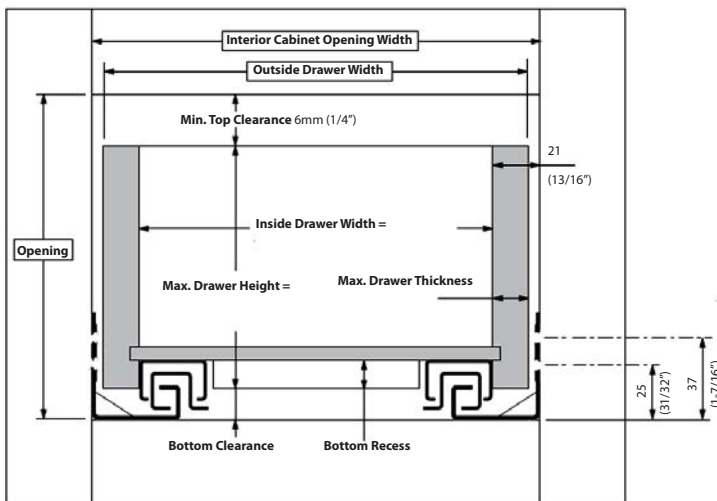
Includes: Slides, front clips and rear sockets.

PRO 500 Series 75 lb. Full Extension Concealed Undermount Drawer Slides



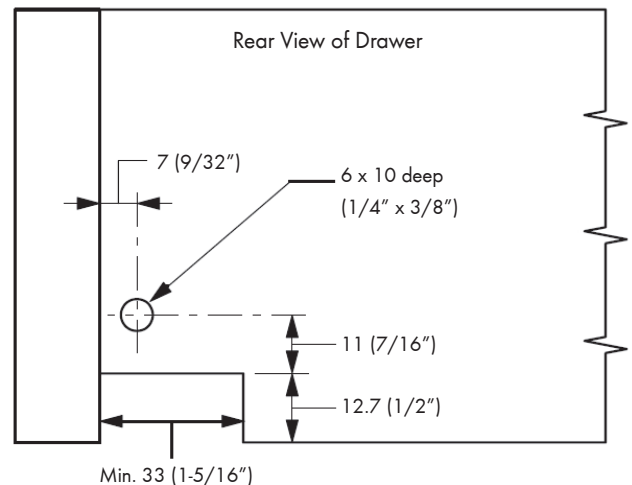
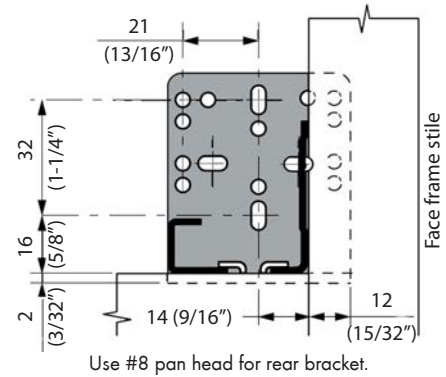
- Type: Soft-Close, Full Extension Concealed Undermount Slides
- Weight Rating: 75 lbs.
- Material: Cold Rolled Steel
- Hole Pattern: 32mm
- Finish: Zinc
- Industry Rated: BHMA, KCMA, BIFMA, ANSI
- Front roller allows for smooth, quiet operation and dramatically reduces deflection when fully extended
- Front clip has a three screw mounting design to allow attachment to front and side of drawer. An optimal fourth hole can be used to attach to drawer bottom when needed
- Soft-close activated at 2 inches
- One item number includes everything (slides, front clips and rear sockets)
- Slotted mounting holes for depth adjustment, ideal for inset applications
- Drawer slides sold in full boxes of 6

| Item # | Size |
|-------------|------|
| DSPRO500-12 | 12" |
| DSPRO500-15 | 15" |
| DSPRO500-18 | 18" |
| DSPRO500-21 | 21" |



| Outside Drawer Dimension | | | | | |
|----------------------------------|-----------|----|----|----|-------------|
| For drawer side thickness | 16 (5/8") | 15 | 14 | 13 | 12 (1/2") |
| Deduct from inside cabinet width | 10 (3/8") | 13 | 14 | 16 | 18 (23/32") |

Note: Due to material thickness variance, it is best to work from inside of drawer dimension.



Use Euro screw or #8 flat head screw for cabinet member installation.

A
B
C
D
E
F
G
H
I
J
K
L
M
N
O
P
Q
R
S
T
U
V
W
X
Y

A
B
C
D
E
F
G
H
I
J
K
L
M
N
O
P
Q
R
S
T
U
V
W
X
Y

PRO 600 SERIES UNDERMOUNT DRAWER SLIDES



PRO 600 Series 100lb. Undermount Slides with Optional 2-D & 3-D Adjustment Clips



- Full extension soft-close undermount drawer slides
- Slotted mounting holes for depth adjustment, ideal for inset applications
- 4-way and 6-way adjustment front locking devices available
- 2D Adjustment: Up/Down 0-3mm, Side-to-Side +/- 1.5mm
- 3D Adjustment: Up/Down 0-3mm, Side-to-Side +/- 1.5mm, Depth 0-3.5mm
- Slides made from cold rolled steel
- 32mm hole pattern
- Zinc finish
- BHMA, KCMA, & BIFMA rated
- 100lb. load rating
- Drawer slides sold in full boxes of 6

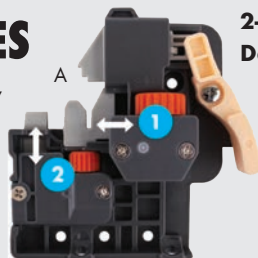
**TESTED OVER
100,000 CYCLES
TWICE THE
INDUSTRY
STANDARD!**

| Item # | Length | Box Qty |
|-------------|--------|---------|
| DSPRO600-12 | 12" | 6 |
| DSPRO600-15 | 15" | 6 |
| DSPRO600-18 | 18" | 6 |
| DSPRO600-21 | 21" | 6 |

| DSPRO600 Accessories | | | |
|----------------------|-------------------------------------|-----------------|---------|
| | Description | Item # | Box Qty |
| A | Left Hand 2-D Front Locking Device | DSPRO6002DCLIPL | 120 |
| | Right Hand 2-D Front Locking Device | DSPRO6002DCLIPR | 120 |
| B | Left Hand 3-D Front Locking Device | DSPRO6003DCLIPL | 120 |
| | Right Hand 3-D Front Locking Device | DSPRO6003DCLIPR | 120 |
| C | Rear Metal Face Frame Bracket | DSPRO600-RB | 180 |

ACCESSORIES

Sold Separately



2-D Front Locking Device

1. Side: +1.5mm
2. Up & Down: 0-3mm



3-D Front Locking Device

1. Side: +1.5mm
2. Up & Down: 0-3mm
3. Depth: 0-3.5mm

Rear Brackets



PRO 600 HEAVY DUTY UNDERMOUNT DRAWER SLIDES



PRO 600 Heavy Duty Undermount Drawer Slides



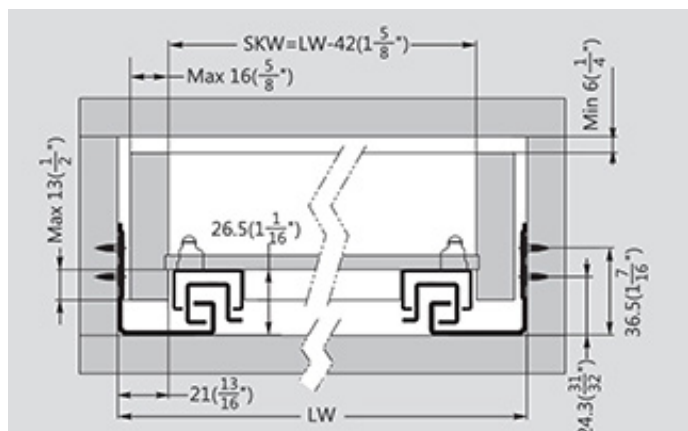
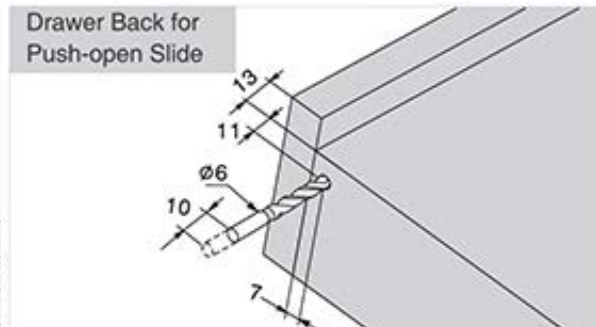
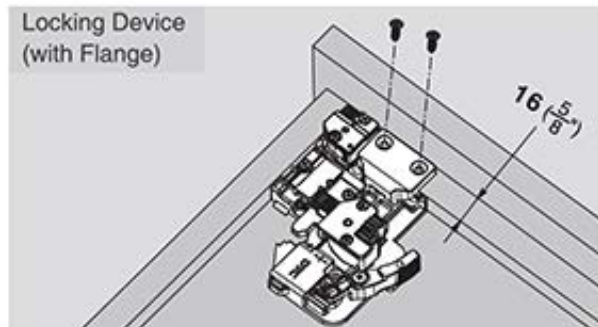
- 150 lb load capacity
- 6-way front clips included with drawer slides
- Available in 3 different lengths
- ANSI/KCMA/BIFMA certified
- Elongated holes for easy installation adjustments
- Bottom roller on cabinet member supports smooth and quiet movement
- Sold in full boxes only

3-D Front Locking Device



1. Side: +1.5mm
2. Up & Down: 0-3mm
3. Depth: 0-3.5mm

| Item # | Description | Full Box Quantity |
|---------------|---|-------------------|
| DSPRO600HD-24 | 24" Heavy Duty PRO 600 Undermount Slide w/Front Clips | 3 |
| DSPRO600HD-27 | 27" Heavy Duty PRO 600 Undermount Slide w/Front Clips | 3 |
| DSPRO600HD-30 | 30" Heavy Duty PRO 600 Undermount Slide w/Front Clips | 3 |



A
B
C
D
E
F
G
H
I
J
K
L
M
N
O
P
Q
R
S
T
U
V
W
X
Y

A
B
C
D
E
F
G
H
I
J
K
L
M
N
O
P
Q
R
S
T
U
V
W
X
Y

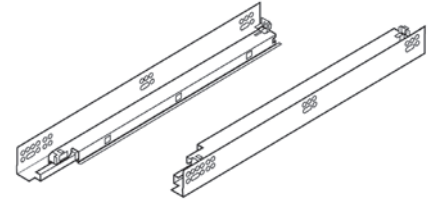
BLUM TANDEM UNDERMOUNT DRAWER SLIDES



TANDEM plus BLUMOTION 563H/563F Series



- Four-dimensional adjustment
- Elongated holes for depth adjustment
- Bottom mount holes for 15", 18", and 21" slides
- 100 lb static/90 lb dynamic load capacity
- Full extension concealed runners
- For face frame or frameless cabinets
- BLUMOTION soft-closing
- TANDEM smooth running action
- Available in 9" to 21" lengths
- Made in the USA
- Packaged in full boxes of 6. Available any quantity.



| 563H 1/2" (13mm) to 5/8" (16mm) Drawer Thickness | |
|--|--------|
| Item # | Length |
| BP563H2290B10 | 9" |
| BP563H3050B | 12" |
| BP563H3810B | 15" |
| BP563H4570B | 18" |
| BP563H5330B | 21" |

| 563F 5/8" (16mm) to 3/4" (19mm) Drawer Thickness | |
|--|--------|
| Item # | Length |
| BP563F2290B10 | 9" |
| BP563F3050B | 12" |
| BP563F3810B | 15" |
| BP563F4570B | 18" |
| BP563F5330B | 21" |

Standard Locking Devices with Side-to-Side Adjustment



- One right and one left required per drawer
- Captive right and self-aligning left device
- Self-adjusting drawer length tolerance
- Steel base with synthetic, spring-loaded release levers
- Minimum inside drawer width 6-11/16" (170mm)
- Height adjustment 1/8" (3mm)
- Side-to-side adjustment +/- 1/16" (1.5mm)
- For use with 563/569 series runners only
- For other options see page
- Packaged in full boxes of 100. Available any quantity.

| Item # | Description |
|------------|----------------------------|
| BPT511901R | Right Front Locking Device |
| BPT511901L | Left Front Locking Device |

Rear Mounting Bracket for Face Frame Cabinets



- For use when installing TANDEM in face frame cabinets
- Not necessary for frameless cabinet installation
- Two required per drawer
- Zinc-coated steel
- For 9" TANDEM options see page
- Packaged in full boxes of 100. Available any quantity.

| Item # |
|-------------|
| BP295375002 |

BLUM TANDEM UNDERMOUNT DRAWER SLIDES



TANDEM plus BLUMOTION 563. Series



- Four-dimensional adjustment
- Elongated holes for depth adjustment
- Bottom mount holes
- 100 lb static/90 lb dynamic load capacity
- Full extension concealed runners
- Frameless or blocked-out face frame cabinets
- BLUMOTION soft closing
- TANDEM smooth running action
- Available in 18" and 21" lengths
- 13mm (1/2") to 16mm (5/8") drawer thickness
- Made in the USA
- Packaged in full boxes of 6. Available any quantity.



Note: For 563. series runners, rear brackets and sockets cannot be used. Cabinet sides must be blocked-out flush with the inside of the frame.

| Item # | Length |
|------------|--------|
| BP5634570B | 18" |
| BP5635330B | 21" |



Standard Locking Devices with Side-to-Side Adjustment

- One right and one left required per drawer
- Captive right and self-aligning left device
- Self-adjusting drawer length tolerance
- Steel base with synthetic, spring-loaded release levers
- Minimum inside drawer width 6-11/16" (170mm)
- Height adjustment 1/8" (3mm)
- Side-to-side adjustment +/- 1/16" (1.5mm)
- For use with 563/569 series runners only
- For other options see page
- Packaged in full boxes of 100. Available any quantity.

| Item # | Description |
|------------|----------------------------|
| BPT511901R | Right Front Locking Device |
| BPT511901L | Left Front Locking Device |

A
B
C
D
E
F
G
H
I
J
K
L
M
N
O
P
Q
R
S
T
U
V
W
X
Y

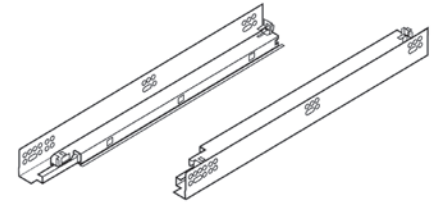
A
B
C
D
E
F
G
H
I
J
K
L
M
N
O
P
Q
R
S
T
U
V
W
X
Y

BLUM TANDEM UNDERMOUNT DRAWER SLIDES



TANDEM plus BLUMOTION 569H/569./569F/569A Heavy Duty Series

- Four-dimensional adjustment
- Elongated holes for depth adjustment
- 150 lb static/135 lb dynamic load capacity
- Full extension concealed runners
- Frameless or blocked-out for face frame cabinets
- BLUMOTION soft-closing
- Available in 18" to 30" lengths



Note: For heavy duty applications, rear brackets and sockets cannot be used. Cabinet sides must be blocked-out flush with the inside of the frame.

| 1/2" (13mm) to 5/8" (16mm) Drawer Thickness | | |
|---|--------|---------|
| Item # | Length | Box Qty |
| BP569H4570B | 18" | 6 |
| BP569H5330B | 21" | 6 |
| BP5696100B | 24" | 6 |
| BP5696860B | 27" | 4 |
| BP5697620B | 30" | 4 |

| 5/8" (16mm) to 3/4" (19mm) Drawer Thickness | | |
|---|--------|---------|
| Item # | Length | Box Qty |
| BP569F4570B | 18" | 6 |
| BP569F5330B | 21" | 6 |
| BP569A6100B | 24" | 6 |
| BP569A6860B | 27" | 4 |
| BP569A7620B | 30" | 4 |



Standard Locking Devices with Side-to-Side Adjustment

- One right and one left required per drawer
- Captive right and self-aligning left device
- Self-adjusting drawer length tolerance
- Steel base with synthetic, spring-loaded release levers
- Minimum inside drawer width 6-11/16" (170mm)
- Height adjustment 1/8" (3mm)
- Side-to-side adjustment +/- 1/16" (1.5mm)
- For use with 563/569 series runners only
- For other options see page
- Packaged in full boxes of 100. Available any quantity.

| Item # | Description |
|------------|----------------------------|
| BPT511901R | Right Front Locking Device |
| BPT511901L | Left Front Locking Device |

BLUM TANDEM 563/569 FRONT LOCKING DEVICES

Standard Locking Devices with Side-to-Side Adjustment



- One right and one left required per drawer
 - Captive right and self-aligning left device
 - Self-adjusting drawer length tolerance
 - Steel base with synthetic, spring-loaded release levers
 - Minimum inside drawer width 6-11/16" (170mm)
 - Height adjustment 1/8" (3mm)
 - Side-to-side adjustment +/- 1/16" (1.5mm)
 - For use with 563/569 series runners only
 - For other options see page
 - Packaged in full boxes of 100.
- Available any quantity.



| Item # | Description |
|------------|----------------------------|
| BPT511901R | Right Front Locking Device |
| BPT511901L | Left Front Locking Device |

Vertical Mount Locking Devices with Side-to-Side Adjustment



- One right and one left required per drawer
 - Vertical mount locking device used to minimize sub-front splitting
 - Captive right device and self-aligning left device
 - Self-adjusting drawer length tolerance
 - Steel base with synthetic, spring-loaded release levers
 - Minimum inside drawer width 6-11/16" (170mm)
 - Height adjustment 1/8" (3mm)
 - Side-to-side adjustment +/- 1/16" (1.5mm)
 - Minimum sub-front thickness 5/8" (16mm)
 - Designed for 1/2" (13mm) drawer bottom recess
 - Packaged in full boxes of 100.
- Available any quantity.

| Item # | Description |
|--------------|----------------------------|
| BPT5119012OR | Right Front Locking Device |
| BPT5119012OL | Left Front Locking Device |

Depth Adjustable Locking Devices with Side-to-Side Adjustment



- One right and one left required per drawer
 - Captive right device and self-aligning left device
 - Self-adjusting drawer length tolerance
 - Steel base with synthetic, spring-loaded release levers
 - Minimum inside drawer width 6-11/16" (170mm)
 - Height adjustment 1/8" (3mm)
 - Side-to-side adjustment +/- 1/16" (1.5mm)
 - Depth adjustment +3/32" (2.5mm), preset at 0
 - Minimum sub-front thickness 1/2" (13mm)
 - Designed for 1/2" (13mm) drawer bottom recess
 - Integrated 1/8" (3mm) distance bumper for inset or overlay SERVO-DRIVE applications
 - Packaged in full boxes of 100.
- Available any quantity.

| Item # | Description |
|--------------|----------------------------|
| BPT511901PSR | Right Front Locking Device |
| BPT511901PSL | Left Front Locking Device |

A BLUM TANDEM 563/569 FRONT LOCKING DEVICES

B
C
D
E
F
G
H
I
J
K
L
M
N
O
P
Q
R
S
T
U
V
W
X
Y

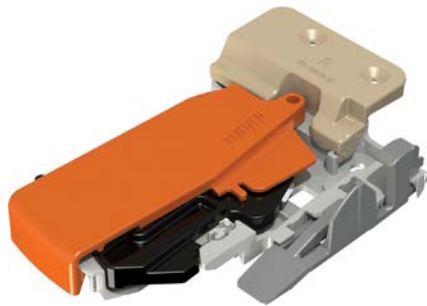


Standard Locking Devices without Side-to-Side Adjustment

- One right and one left required per drawer
 - For use with standard applications
 - Captive right device and self-aligning left device
 - Self-adjusting drawer length tolerance
 - Zinc die-cast with synthetic, spring-loaded release levers
 - Minimum inside drawer width 4-7/8" (124mm)
 - Height adjustment 1/8" (3mm)
 - Packaged in full boxes of 300.
- Available any quantity.



| Item # | Description |
|------------|----------------------------|
| BPT511801R | Right Front Locking Device |
| BPT511801L | Left Front Locking Device |



Vertical Mount Locking Devices without Side-to-Side Adjustment

- Vertical mount locking device used to minimize sub-front splitting
 - Captive right device and self-aligning left device
 - Self-adjusting drawer length tolerance
 - Zinc die-cast with synthetic, spring-loaded release levers
 - Minimum inside drawer width 4-7/8" (124mm)
 - Height adjustment 1/8" (3mm)
 - Minimum sub-front thickness 5/8" (16mm)
 - Designed for 1/2" (13mm) drawer bottom recess
 - Packaged in full boxes of 300.
- Available any quantity.

| Item # | Description |
|--------------|----------------------------|
| BPT51180120R | Right Front Locking Device |
| BPT51180120L | Left Front Locking Device |



Narrow Drawer Locking Devices

- One right and one left required per drawer
- For use with narrow drawers
- Maximum dynamic load capacity 25 lb
- Captive right device and self-aligning left device
- Self-adjusting drawer length tolerance
- Vertical mount, two-piece nylon
- Minimum inside drawer width 3-3/4" (95mm)
- Height adjustment 1/8" (3mm)
- Minimum sub-front thickness 5/8" (16mm)
- Designed for 1/2" (13mm) drawer bottom recess
- Packaged in full boxes of 100. Available any quantity.

| Item # | Description |
|--------------|----------------------------|
| BPT51080120R | Right Front Locking Device |
| BPT51080120L | Left Front Locking Device |

BLUM TANDEM REAR ATTACHMENT OPTIONS



Screw-on Bracket

- Two required per drawer
- For TANDEM 552, 562 and 563 H/F series runners only
- Lateral self-alignment 1/8" (3mm)
- Non-handed, one-piece stamped steel design, zinc-coated
- Use at least three #6 wood screws
- Not for use with 9" runners
- Packaged in full boxes of 100. Available any quantity.

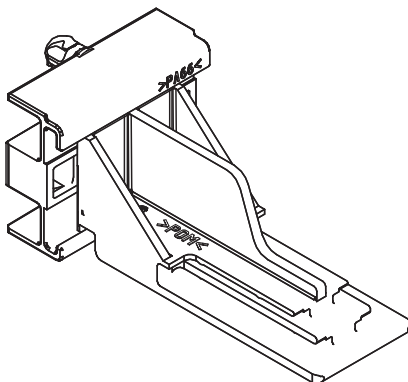
| Item # |
|-------------|
| BP295375002 |



Narrow Screw-On Bracket

- Two required per drawer
- For applications with side recess space limitations (end panel)
- Maximum dynamic load capacity 45 lb
- Lateral self-alignment 1/8" (3mm)
- Non-handed, one-piece stamped steel design, zinc-coated
- Maximum inside cabinet depth is 19/32" (15mm) less than BP295375002 allows
- Use at least three #6 wood screws
- Not for use with 9" runners
- Packaged in full boxes of 100. Available any quantity.

| Item # |
|-------------|
| BP295355001 |



Plug-in Socket

- Two required per drawer
- For TANDEM 552, 562 and 563 H/F series runners only
- Lateral self-alignment feature
- Non-handed, two-piece design
- Synthetic, natural color
- Non-detachable 5/16" (8mm) dowels, 3/8" (9.5mm) long
- (1/4") minimum back panel thickness
- Use at least two #6 flat head wood screws
- Not for use with 9" runners
- Packaged in full boxes of 125. Available any quantity.

| Item # |
|-----------|
| BP2956410 |

A

B

C

D

E

F

G

H

I

J

K

L

M

N

O

P

Q

R

S

T

U

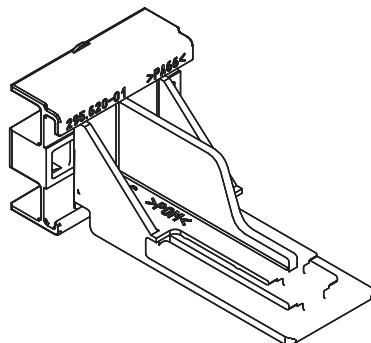
V

W

X

Y

BLUM TANDEM REAR ATTACHMENT OPTIONS



Screw-on Socket

- Two required per drawer
- For TANDEM 552, 562 and 563 H/F series runners only
- Lateral self-alignment
- Non-handed, two-piece design
- Synthetic, natural color
- Use two #6 flat head wood screws
- Not for use with 9" runners
- Packaged in full boxes of 125. Available any quantity.

| Item # |
|-----------|
| BP2956400 |

Screw-on Socket for 9" TANDEM plus BLUMOTION Runners

- For TANDEM 562 and 563 H/F series 9" runners only
- For use only when installing 9" runners in face frame cabinets
- For inside cabinet depths 10-15/32" (266mm) to 11-3/32" (282mm)
- Minimum opening width 6-5/32" (156mm)
- Lateral self-alignment
- Non-handed, one piece design
- Synthetic, natural color
- Use at least three #6 wood screws
- Packaged in full boxes of 100. Available any quantity.

| Item # |
|-------------|
| BP295370021 |

Screw-on Socket for 9" TANDEM plus BLUMOTION Runners

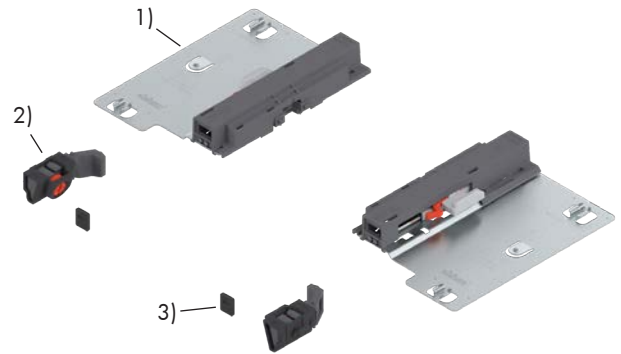
- For TANDEM 562 and 563 H/F series 9" runners only
- For use only when installing 9" runners in face frame cabinets
- For inside cabinet depths 11-5/32" (283MM) to 11-25/32" (299mm)
- Minimum opening width 6-5/32" (156mm)
- Lateral self-alignment
- Non-handed, one piece design
- Synthetic, natural color
- Use at least three #6 wood screws
- Packaged in full boxes of 100. Available any quantity.

| Item # |
|-------------|
| BP295370022 |

BLUM TANDEM UNDERMOUNT DRAWER SLIDES

TIP-ON for TANDEM plus Drawer Slides

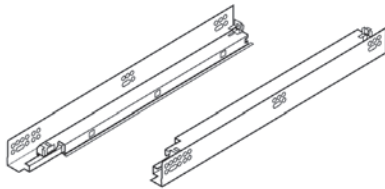
- Designed for drawers without pulls
- Opens the drawer with just a touch of the drawer front
- Tool-free attachment of the mechanism and trigger
- Optimal dynamic load capacity of 45 lb
- 100 lb static load capacity
- Only works with TANDEM plus 562H series slides without BLUMOTION



TIP-ON for TANDEM plus Set

- One set required per drawer
- Set includes:
 - 1) TIP-ON mechanisms (qty 2)
 - 2) Adjustable triggers (qty 2)
 - 3) Rear hook spacers (qty 2)

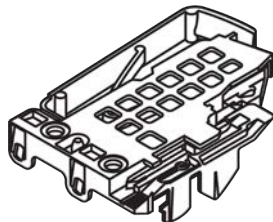
| Item # |
|------------|
| BPT557150S |



Runner Set

- One set required per drawer
- Packaged in full boxes of 6. Available any quantity.

| Item # | Length |
|-------------|--------|
| BP562H3050C | 12" |
| BP562H3810C | 15" |
| BP562H4570C | 18" |
| BP562H5330C | 21" |



Standard Locking Device for 552/562/568 Series

- One right and one left required per drawer
- Minimum inside drawer width 4-3/4" (121mm)
- Height adjustable +1/8" (3mm)
- Packaged in full boxes of 480. Available any quantity.

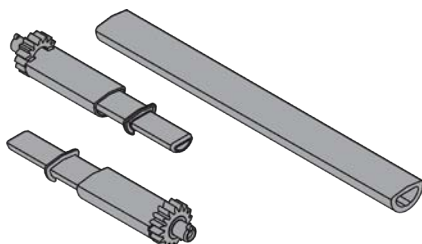
| Item # | Description |
|--------------|----------------------------|
| BPT51170004R | Right Front Locking Device |
| BPT51170004L | Left Front Locking Device |



Rear Mounting Bracket for Face Frame Cabinets

- For use when installing TANDEM plus in face frame cabinets
- Not necessary for frameless cabinet installation
- Two required per drawer
- Zinc-coated steel
- Packaged in full boxes of 100. Available any quantity.

| Item # |
|-------------|
| BP295375002 |



TIP-ON for TANDEM plus Synchronization Set (Optional)

- Recommended for cabinet widths from 24" (610mm) to 48" (1220mm) wide (face frame and frameless)
- Synchronizes left and right TIP-ON mechanisms to improve function on wide drawers
- Set Includes:

- 1) Linkage rod, 35-3/4" (908mm) cut to length
- 2) Pinion gears (qty 2)
- 3) Instruction sheet

| Item # |
|-------------|
| BPT55908WVR |

A
B
C
D
E
F
G
H
I
J
K
L
M
N
O
P
Q
R
S
T
U
V
W
X
Y

A
B
C
D
E
F
G
H
I
J
K
L
M
N
O
P
Q
R
S
T
U
V
W
X
Y

BLUM TANDEM UNDERMOUNT DRAWER SLIDES

Lateral Stabilizer for 563/569 Series

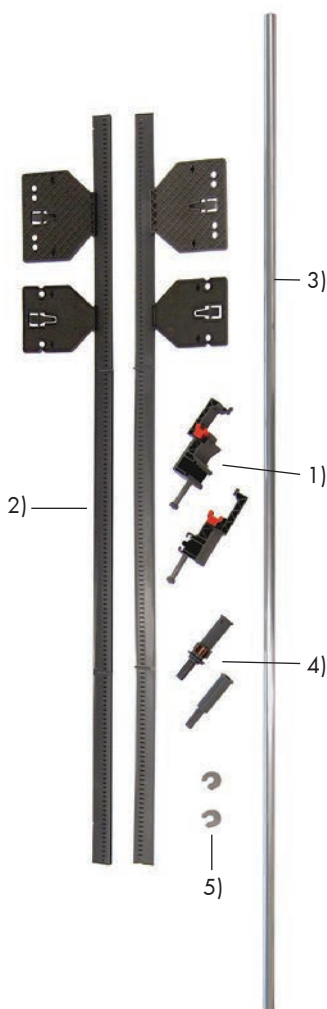
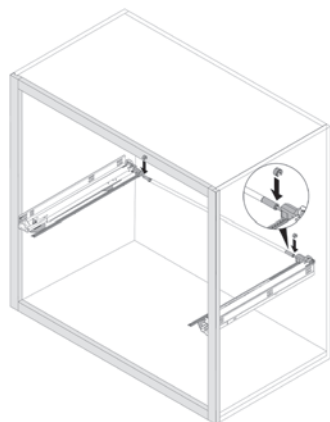
- Increases lateral stability
- Synchronizes left and right runners to prevent drawer racking
- Ideal for wide applications using TANDEM 563/569H/563./F/A/ Series
- Does not increase load capacity
- Frameless and blocked-out face frame applications 9" (229mm) to 27" (686mm) length drawers
- Face frame applications with rear attachment 12" (305mm) to 21" (533mm) length drawers
- Recommended for opening widths 24" (610mm) and wider
- Packaged in full box quantities of 10. Available any quantity.



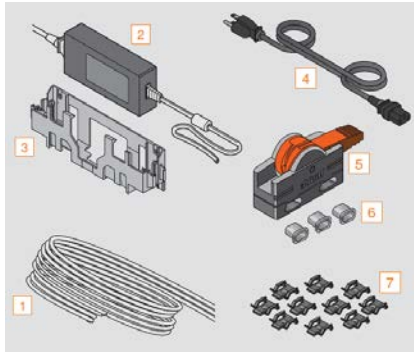
| Item # |
|--------------|
| BPZST686TU01 |

Set includes:

- 1) Pinion housing (qty 2)
 - 2) Gear rack with locating tabs (qty 2)
 - 3) Linkage rod, 41-1/2" (1054mm) length
 - 4) Pinion adapter (qty 2)
 - 5) Locking clip (qty 2)
- Installation sheet



BLUM SERVO-DRIVE FOR TANDEM PLUS BLUMOTION



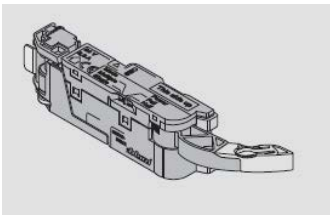
Power Supply Set

- Supplies power to the drive units
- Set Includes:
 - 1) 19 ft universal cable
 - 2) 24 watt power supply
 - 3) Wall mount bracket
 - 4) Three-prong cord
 - 5) INSERTA cable connector
 - 6) Cable end protectors (qty 3)
 - 7) Cable clips (qty 10)



| Item # |
|---------------|
| BPZ10NE03UG10 |

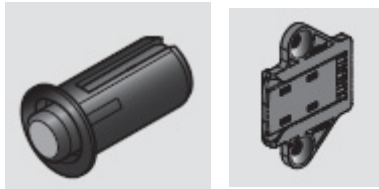
Also includes installation template, instructions, and user manual



Drive Unit

- Nylon
- Dust gray finish

| Item # |
|--------------|
| BPZ10A300003 |

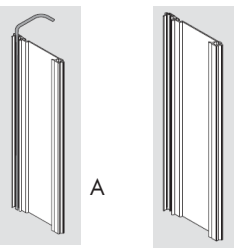


A B

Distance Bumpers

- Provides 1/8" (3mm) gap

| | Item # | Description |
|---|-----------|-----------------|
| A | BP9930531 | 5mm Bumper |
| B | BP9931220 | Screw-on Bumper |

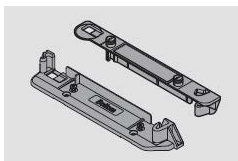


A B

Vertical Aluminum Profile

- Can be cut to size

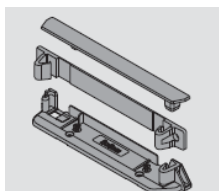
| | Item # | Description |
|---|-------------|--|
| A | BPZ10T720AB | Profile w/cable, length 28-3/8" (720mm) - cable length 31-1/2" (800mm) |
| B | BPZ10T1170A | Profile without cable, length 46" (1170mm) |



Top and Bottom Adapter Set

- For use with horizontal stretcher rail

| Item # |
|--------------|
| BPZ10D01E001 |



Back and Bottom Adapter Set

- For use with back stretcher rail

| Item # |
|--------------|
| BPZ10D01EA01 |

A
B
C
D
E
F
G
H
I
J
K
L
M
N
O
P
Q
R
S
T
U
V
W
X
Y

A
B
C
D
E
F
G
H
I
J
K
L
M
N
O
P
Q
R
S
T
U
V
W
X
Y

BLUM SERVO-DRIVE FOR TANDEM PLUS BLUMOTION

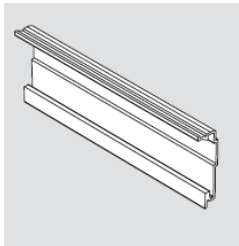


SERVO-DRIVE Locking Device with Integrated Bumper



- One right and one left required per drawer
- Captive right device and self-aligning left device
- Self-adjusting drawer length tolerance
- Steel base with synthetic, spring-loaded release levers
- Minimum inside drawer width 6-11/16" (170mm)
- Height adjustment 1/8" (3mm)
- Side-to-side adjustment +/- 1/16" (1.5mm)
- Depth adjustment +3/32" (2.5mm), preset at 0
- Minimum sub-front thickness 1/2" (13mm)
- Designed for 1/2" (13mm) drawer bottom recess
- Integrated 1/8" (3mm) distance bumper for inset or overlay SERVO-DRIVE applications
- Packaged in full boxes of 100. Available any quantity.

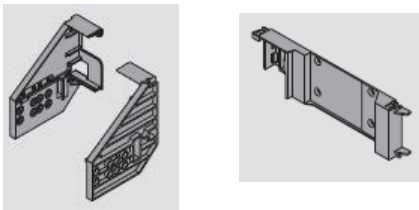
| Item # | Description |
|--------------|----------------------------|
| BPT511901PSR | Right Front Locking Device |
| BPT511901PSL | Left Front Locking Device |



Horizontal Aluminum Profile

- Profile length 45" (1143mm) cut to size

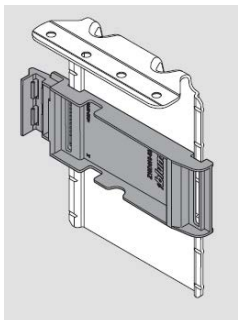
| |
|---------------|
| Item # |
| BPZ10T1143B |



Adapter Set for Horizontal Profile, Face Frame

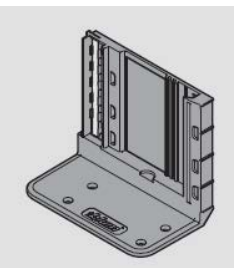
- Set Includes:
 - TANDEM adapters (left and right)
 - Profile adapter
 - Installation screws 661.1150.HG (qty 4)
 - Installation instructions

| |
|---------------|
| Item # |
| BPZ10D5800US |



Top Bracket with Adapter

| |
|---------------|
| Item # |
| BPZ10D6252 |



Bottom Bracket

- 31-1/2" (800mm) universal cable is included

| |
|---------------|
| Item # |
| BPZ10D7201 |

BLUM SERVO-DRIVE FOR TANDEM PLUS BLUMOTION

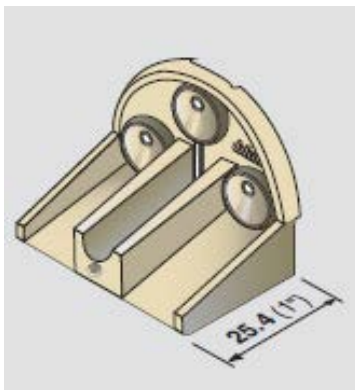
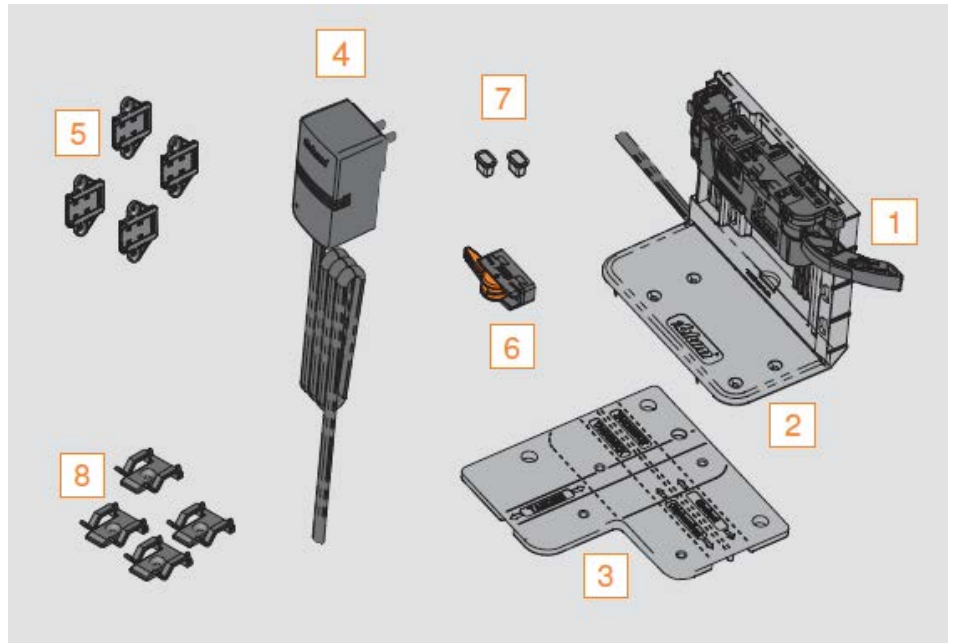


| |
|---------------|
| Item # |
| BPZ10NA30UGUS |

SERVO-DRIVE Waste/Recycle Set



- Set Includes:
- 1) Drive unit (pre-attached)
- 2) Double bottom bracket with #6 x 1" wood screws (qty 2)
- 3) Cable clips (qty 4)
- 4) Adapter plate
- 5) INSERTA cable connector
- 6) Screw-on distance bumpers (qty 4) with #6 x 5/8" wood screws for installation (qty 8)
- 7) 110 volt plug-in power supply with six feet of universal cable
- 8) Cable end protectors (qty 2)
- Installation template, instructions, and user manual



TANDEM Inset Spacer

- For applications where there would not be enough space behind the drawer box to add SERVO-DRIVE due to cabinet construction, plumbing, etc.
- Two required per drawer

| |
|---------------|
| Item # |
| BPT59A5POS |

A
B
C
D
E
F
G
H
I
J
K
L
M
N
O
P
Q
R
S
T
U
V
W
X
Y

A
B
C
D
E
F
G
H
I
J
K
L
M
N
O
P
Q
R
S
T
U
V
W
X
Y

BLUM SERVO-DRIVE FOR TANDEM PLUS BLUMOTION



SERVO-DRIVE Power Supply

- Supplies power to the drive units
- Energy Star Level VI
- UL Certified
- Can power up to 50 drive units
- Connect to switched GFCI outlet
- 6 ft cable length
- Three-prong power cord required



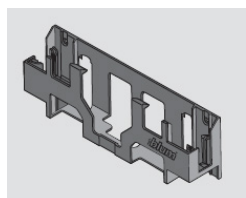
| |
|---------------|
| Item # |
| BPZ10NE030G |



Power Cord with Three-Prong Plug

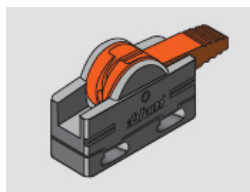
- Must be plugged into a switched GFCI outlet

| |
|---------------|
| Item # |
| BPZ10M200U |



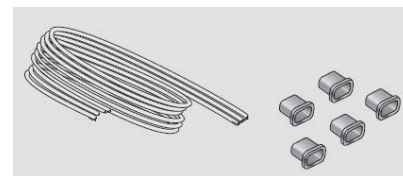
Wall Mount Bracket for Power Supply

| |
|---------------|
| Item # |
| BPZ10NG120 |



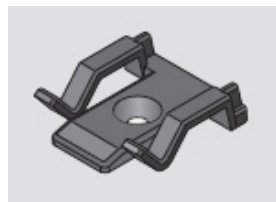
Inserta Cable Connector

| |
|---------------|
| Item # |
| BPZ10V100001 |



Universal Cable

- 26 ft length with five cable end protectors

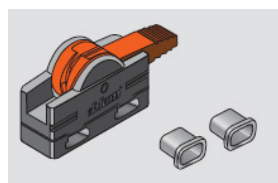


Cable Clip

- Adhesive back and/or screw-on

| |
|---------------|
| Item # |
| BPZ10K0009 |

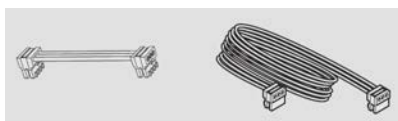
| |
|---------------|
| Item # |
| BPZ10K800AE |



INSERTA Cable Connector Set

- Set Includes:
 - INSERTA cable connector
 - Cable end protector (qty 2)

Synchronization Cables

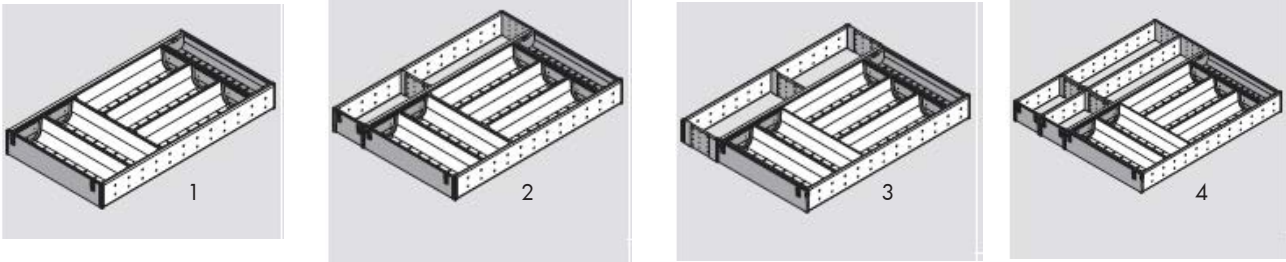


| Item # | Description |
|------------|-----------------------------------|
| BPZ10K008S | 3" (80mm) synchronization cable |
| BPZ10K120S | 4' (1200mm) synchronization cable |

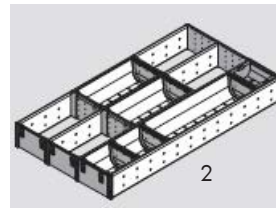
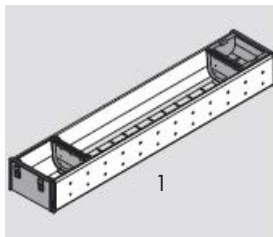
BLUM TANDEM ORGA-LINE

ORGA-LINE

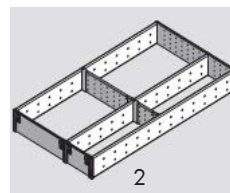
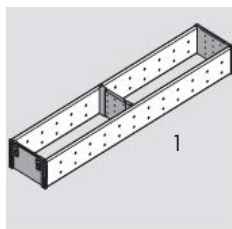
- Adjustable organization solution for wood drawers that ideal for storing items in the kitchen and through the home
- Spring loaded compensation tray and side rails ensure that each kit will fit into an inside drawer length from 19-1/4" to 20"
- Removable trays are made of high quality nylon and stainless steel
- Dishwasher safe up to 170° F



| Flatware - For 21" Drawers | | | |
|----------------------------|--------------|-------------------------------------|----------------|
| | Item # | Width | Height |
| 1 | BPZHI533BI3A | 11-3/16" (284mm) | 2-9/16" (65mm) |
| 2 | BPZHI533KI4A | 15" (381mm) | 2-9/16" (65mm) |
| 3 | BPZHI533TI4A | 15-3/4" to 16-1/2" (400mm to 419mm) | 2-9/16" (65mm) |
| 4 | BPZHI533TI5A | 18-3/4" to 19-1/2" (477mm to 495mm) | 2-9/16" (65mm) |

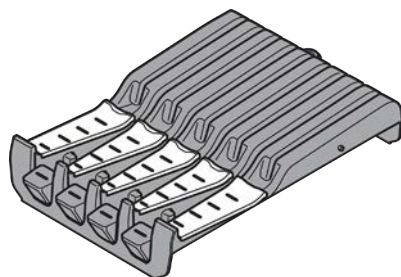


| Odds and Ends - For 21" Drawers | | | |
|---------------------------------|--------------|-----------------|----------------|
| | Item # | Width | Height |
| 1 | BPZHI533BI1A | 4-1/4" (108mm) | 2-9/16" (65mm) |
| 2 | BPZHI533MI3A | 11-7/8" (302mm) | 2-9/16" (65mm) |



| Utensils - For 21" Drawers | | | |
|----------------------------|--------------|------------------|----------------|
| | Item # | Width | Height |
| 1 | BPZHI533FI1A | 4-1/4" (108mm) | 2-9/16" (65mm) |
| 2 | BPZHI533FI3A | 11-9/16" (294mm) | 2-9/16" (65mm) |

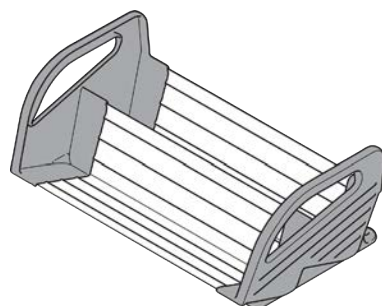
A
B
C
D
E
F
G
H
I
J
K
L
M
N
O
P
Q
R
S
T
U
V
W
X
Y

BLUM MOVENTO ORGA-LINE

ORGA-LINE Knife Holder

- Length 11" (280mm)
- Width 7-1/8" (180mm)
- Holds up to nine knives of different sizes
- High quality nylon and stainless steel
- Dishwasher safe up to 170°F
- Handle support (qty 4)


Item #

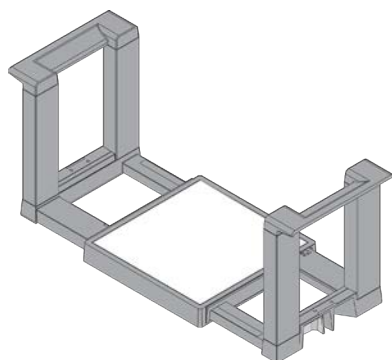
BPZSZO2M0


ORGA-LINE Spice Tray

- Width 11-1/8" (282mm) - Inside storage width 10-1/4" (260mm)
- Height 4-3/4" (121mm)
- Easy removal from drawer
- High quality nylon and stainless steel
- Set includes two trays and four feet

Item #

BPZfZ38G0I

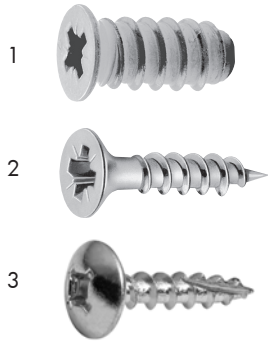

ORGA-LINE Plate Holder

- Adjustable width 7-5/16" to 12-11/16" (186mm to 322mm)
- Overall height 6-11/16" (170mm)
- Holds up to 12 plates
- Non-slip bottom
- High quality nylon and stainless steel

Item #

BPZC7T0350

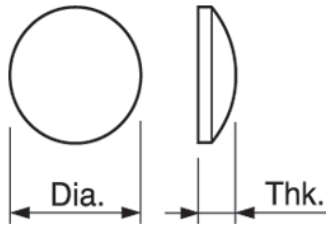
BLUM TANDEM ACCESSORIES



Wood Screws



| | Item # | Description | Box Qty |
|---|-------------|------------------------|---------|
| 1 | BP6611150HG | #6 x 11.5mm, #2 POZI | 1,000 |
| | BP6611300HG | #7 x 13mm, #2 POZI | 1,000 |
| | BP6611450HG | #7 x 14.5mm, #2 POZI | 1,000 |
| 2 | BP606N100 | #6 X 5/8", #2 Phillips | 100 |
| | BP606N1000 | #6 X 5/8", #2 Phillips | 1000 |
| | BP606P1000 | #6 x 5/8", #2 POZI | 1000 |
| | BP707N100 | #7 x 5/8", #2 Phillips | 100 |
| 3 | BP612TH100 | #6 x 1/2", #2 Phillips | 100 |



Bumpers

- Cushions door closing
- Clear with a self-adhesive back
- Packaged in full boxes of 5,400 only.

| Item # | Description |
|----------|-----------------------------|
| BPFX4041 | 9/32" (7.5mm) X 3/32" (2mm) |



Pozi Driver and Bits

| Item # | Description |
|--------------|-------------------------|
| BPPOZIDRIVER | #2 POZI Driver |
| BPPOZIBIT | #2 x 1" POZI bit insert |



Side Spacer

- For spacing our TANDEM runners from the cabinet side for clearance in interior roll-out applications
- 1" thick
- Packaged in full boxes of 100. Available any quantity.

| Item # |
|-----------|
| BPT593570 |



TANDEM End Caps

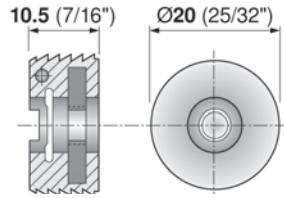
- To cover the front edge of TANDEM runners when used in an interior roll-out application
- Can be used with TANDEM 562/563/H/F runners
- Packaged in full boxes of 500. Available any quantity.

| Item # | Description |
|-----------|---------------|
| BP2955520 | Right End Cap |
| BP2955521 | Left End Cap |

A
B
C
D
E
F
G
H
I
J
K
L
M
N
O
P
Q
R
S
T
U
V
W
X
Y

A
B
C
D
E
F
G
H
I
J
K
L
M
N
O
P
Q
R
S
T
U
V
W
X
Y

BLUM TANDEM ACCESSORIES

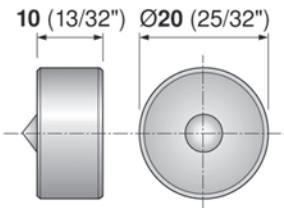


Drawer Front Adjusters

- Nylon housing with pre-mounted 8-32 steel nut
- For four-sided drawers
- Adjusts height and side-to-side by 3/16" (5mm)
- Packaged in full boxes of 1,000. Available any quantity.



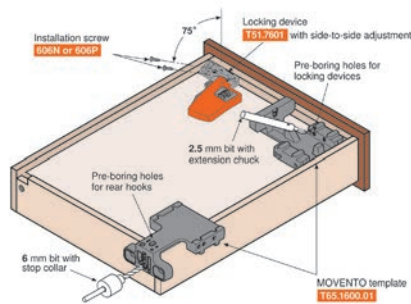
| |
|---------------|
| Item # |
| BP2951000 |



Marking Gauge

- For marking center holes for knock-in drawer front adjusters
- For wooden 3-sided drawers
- Packaged in full boxes of 10. Available any quantity.

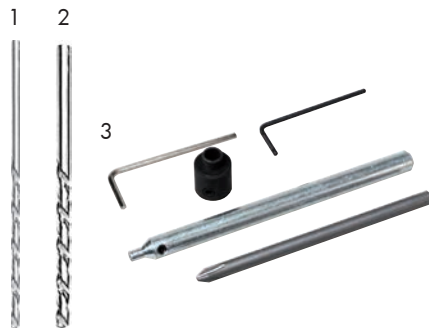
| |
|---------------|
| Item # |
| BP65295010 |



Concealed Runner Template

- Essential tool for drawers using any series TANDEM runners
- To bore 6mm holes for rear hooks
- Pre-bore 2.5mm hole for TANDEM locking devices at the required angle

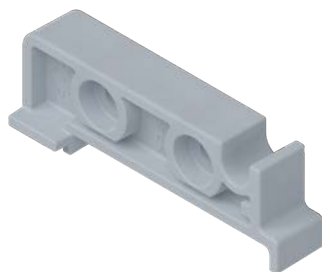
| |
|---------------|
| Item # |
| BPT65160001 |



Concealed Runner Template Accessories

| | Item # | Description |
|---|-----------|-----------------|
| 1 | BPDB25 | 2.5mm Drill Bit |
| 2 | BPDB6 | 6mm Drill Bit |
| 3 | BPT659000 | Tool Set* |

* Set includes 2.5mm drill bit extension, 6mm stop collar, #2 Phillips screwdriver tip, and allen wrenches



Roll-out Shelf Rear Mounting Block

- Eliminates the need to edge bore holes for hooks on roll-outs
- Attach rear mounting block to the back of the shelf instead of notching and boring

| |
|---------------|
| Item # |
| BPT51700001 |

BLUM TANDEM ASSEMBLY AIDS



Universal Individual Template



- For pre-boring TANDEM drawer runners
- Also used for marking/pre-boring other Blum drawer systems, AVENTOS locating pins, hinge mounting plates, BLUMOTION adapters, and TIP-ON adapters
- Calibrated scales for accurate setting
- Set Includes: Universal individual template, 2.5mm and 5mm stop collars, allen wrench

| |
|---------------|
| Item # |
| BP65105102 |



Cabinet Profile Template Set

- Used for pre-boring holes for TANDEM drawer runners
- Also used for marking/pre-boring other Blum drawer systems, AVENTOS locating pins and hinge mounting plates

| Item # | Description |
|------------|---------------------------|
| BP65100001 | Cabinet Profile Template* |
| BPDB25 | 2.5mm Drill Bit |
| BPDB6 | 6mm Drill Bit |

*Set Includes:

- Rail, 1 meter long
- Replacement template (qty 4)
- 2.5mm stop collar
- 5mm stop collar
- Allen wrench



A
B
C
D
E
F
G
H
I
J
K
L
M
N
O
P
Q
R
S
T
U
V
W
X
Y

A
B
C
D
E
F
G
H
I
J
K
L
M
N
O
P
Q
R
S
T
U
V
W
X
Y

BLUM TANDEM EDGE BLUMOTION UNDERMOUNT DRAWER SLIDES

Blum TANDEM edge BLUMOTION Undermount Drawer Slides

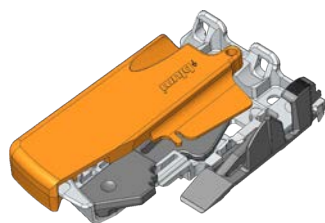


- Economical concealed drawer slide with 7/8 extension and integrated BLUMOTION for wood drawers
- Can be installed in both face frame and frameless cabinet applications
- For use with 1/2" (13mm) to 5/8" (16mm) drawer material thicknesses
- 75 lb dynamic load capacity
- 100 lb static load capacity
- Meets ANSI/BHMA 156.9 grade 1 standards on a 21" length drawer box

Packing: 8 sets per box; Sold In: Any quantity



| Item # | Size | Minimum Inside Cabinet Depth with BP295375002 Rear Bracket |
|---------------|------|--|
| BP554H2290B01 | 9" | 11-7/32" (285mm) |
| BP554H3050B01 | 12" | 14-7/32" (361mm) |
| BP554H3810B01 | 15" | 17-7/32" (437mm) |
| BP554H4570B01 | 18" | 20-3/16" (513mm) |
| BP554H5330B01 | 21" | 23-3/16" (589mm) |



TANDEM edge BLUMOTION Front Locking Devices

- Enable easy drawer insertion and removal
- One right and one left required per drawer
- Minimum inside drawer width 4-3/4" (121mm)
- Height adjustment +1/8" (3mm)

| Item # | Description |
|--------------|----------------------------|
| BPT51170004R | Right Front Locking Device |
| BPT51170004L | Left Front Locking Device |



TANDEM edge BLUMOTION Rear Mounting Brackets

- Two required per drawer
- Depth and lateral self-alignment
- Zinc-coated steel
- Non-handed bracket

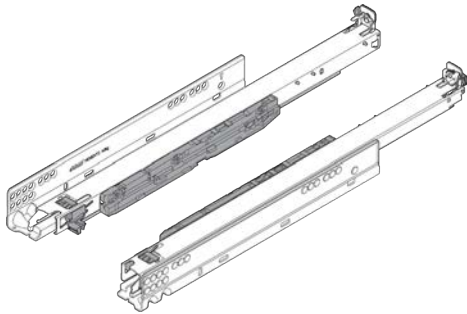
| Item # | Description |
|-------------|--------------------------------|
| BP295375002 | Rear Screw-on Mounting Bracket |

BLUM MOVENTO DRAWER SYSTEMS



MOVENTO 763H Standard Duty Drawer Slides

- Four-dimensional adjustment
- Elongated holes for depth adjustment
- Bottom mount holes
- 125 lb static load capacity
- Full extension concealed runners
- Face frame or frameless cabinets
- BLUMOTION soft closing
- Smooth running action
- Available in 12" to 21" lengths
- 1/2" (13mm) to 5/8" (16mm) drawer thickness
- Compatible with TIP-ON BLUMOTION and SERVO-DRIVE



MOVENTO 763H Drawer Slide Sets

- Packed in full boxes of 6 sets. Available any quantity.

| Item # | Length |
|-------------|--------|
| BP763H3050S | 12" |
| BP763H3810S | 15" |
| BP763H4570S | 18" |
| BP763H5330S | 21" |



Standard Locking Device with Side-to-Side Adjustment

- One right and one left required per drawer
- Captive right and self-aligning left device
- Self-adjusting drawer length tolerance
- Steel base with synthetic, spring-loaded release levers
- Minimum inside drawer width 6-11/16" (170mm)
- Side-to-side adjustment +/- 1/16" (1.5mm)
- For use with MOVENTO runners only
- Packed in full boxes of 100. Available any quantity.

| Item # | Description |
|------------|----------------------------|
| BPT517601R | Right front locking device |
| BPT517601L | Left front locking device |



Locking Device Spacer for Thin Fronts

- Works with MOVENTO locking devices
- 15/32" (12mm) and 1/2" (13mm) sub-fronts only

| Item # |
|------------|
| BPT59K010M |



Rear Mounting Brackets for Face Frame Cabinets

- For use when installing MOVENTO runners in face frame cabinets
- Not necessary for frameless cabinet installation
- Two required per drawer
- Depth and lateral self-alignment
- Zinc-coated steel
- Not for use with TIP-ON BLUMOTION
- Packed in full boxes of 100. Available any quantity.

| Item # |
|-------------|
| BP295375002 |

A
B
C
D
E
F
G
H
I
J
K
L
M
N
O
P
Q
R
S
T
U
V
W
X
Y

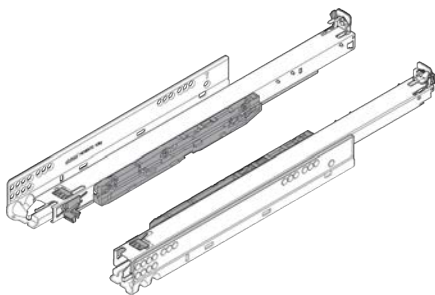
BLUM MOVENTO DRAWER SYSTEMS



MOVENTO 763 Standard Duty Drawer Slides



- Four-dimensional adjustment
- Elongated holes for depth adjustment
- Bottom mount holes
- 125 lb static load capacity
- Full extension concealed runners
- Frameless or blocked-out face frame cabinets
- BLUMOTION soft closing
- Smooth running action
- Available in 12" to 21" lengths
- 1/2" (13mm) to 5/8" (16mm) drawer thickness
- Compatible with TIP-ON BLUMOTION and SERVO-DRIVE



MOVENTO 763 Drawer Slide Sets

- Packed in full boxes of 6 sets. Available any quantity.

| Item # | Length |
|------------|--------|
| BP7633050S | 12" |
| BP7633810S | 15" |
| BP7634570S | 18" |
| BP7635330S | 21" |

Note: For 763. series runners, rear brackets and sockets cannot be used. Cabinet sides must be blocked-out flush with the inside of the frame.



Standard Locking Device with Side-to-Side Adjustment

- One right and one left required per drawer
- Captive right and self-aligning left device
- Self-adjusting drawer length tolerance
- Steel base with synthetic, spring-loaded release levers
- Minimum inside drawer width 6-11/16" (170mm)
- Side-to-side adjustment +/- 1/16" (1.5mm)
- For use with MOVENTO runners only
- Packed in full boxes of 100. Available any quantity.

| Item # | Description |
|------------|----------------------------|
| BPT517601R | Right front locking device |
| BPT517601L | Left front locking device |



Locking Device Spacer for Thin Fronts

- Works with MOVENTO locking devices
- 15/32" (12mm) and 1/2" (13mm) sub-fronts only

| Item # |
|------------|
| BPT59K010M |

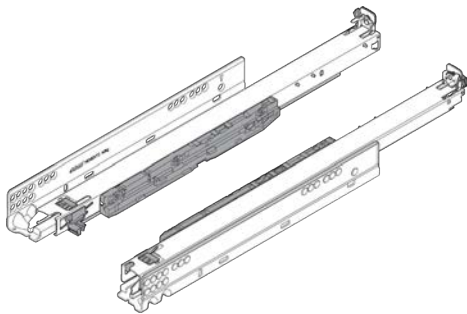
BLUM MOVENTO DRAWER SYSTEMS



MOVENTO 769 Heavy Duty Drawer Slides



- Four-dimensional adjustment
- Elongated holes for depth adjustment
- 170 lb static load capacity
- Full extension concealed runners
- Frameless or blocked-out face frame cabinets
- BLUMOTION soft closing
- Smooth running action
- Available in 18" to 30" lengths
- 1/2" (13mm) to 5/8" (16mm) drawer thickness
- Compatible with TIP-ON BLUMOTION and SERVO-DRIVE



MOVENTO 769. Heavy Duty Sets

- Packed in full boxes of 6 sets. Available any quantity.

| Item # | Length |
|------------|--------|
| BP7694570S | 18" |
| BP7695330S | 21" |
| BP7696100S | 24" |
| BP7696860S | 27" |

Note: For 769. series runners, rear brackets and sockets cannot be used. Cabinet sides must be blocked-out flush with the inside of the frame.



Standard Locking Device with Side-to-Side Adjustment

- One right and one left required per drawer
- Captive right and self-aligning left device
- Self-adjusting drawer length tolerance
- Steel base with synthetic, spring-loaded release levers
- Minimum inside drawer width 6-11/16" (170mm)
- Side-to-side adjustment +/- 1/16" (1.5mm)
- For use with MOVENTO runners only
- Packed in full boxes of 100. Available any quantity.

| Item # | Description |
|------------|----------------------------|
| BPT517601R | Right front locking device |
| BPT517601L | Left front locking device |



Locking Device Spacer for Thin Fronts

- Works with MOVENTO locking devices
- 15/32" (12mm) and 1/2" (13mm) sub-fronts only

| Item # |
|------------|
| BPT59K010M |

A
B
C
D
E
F
G
H
I
J
K
L
M
N
O
P
Q
R
S
T
U
V
W
X
Y

A
B
C
D
E
F
G
H
I
J
K
L
M
N
O
P
Q
R
S
T
U
V
W
X
Y

BLUM MOVENTO DRAWER SYSTEMS



TIP-ON BLUMOTION for MOVENTO

- Enables MOVENTO drawers to be opened with just a light touch of the drawer front
- Same installation dimensions as MOVENTO
- Fully mechanical motion
- Smooth running action
- Four-dimensional adjustment
- Load capacity of runner remains unchanged
- Can be used with or without pulls
- Frameless or blocked out face frame applications

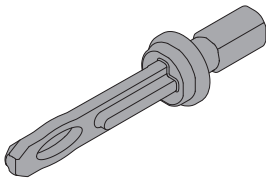


TIP-ON BLUMOTION Unit & Triggers

- Sets Include:
 - Left and right TIP-ON units and triggers
 - Two synchronization adapters

| Drawer Length | S1 (0 - 44 lb) | L1 (0 - 44 lb) | L3 (44 - 88 lb) | L5 (88 - 155 lb) |
|---------------|----------------|----------------|-----------------|------------------|
| 30" | – | – | – | BPT60L7570 |
| 27" | – | – | – | BPT60L7570 |
| 24" | – | – | – | BPT60L7570 |
| 21" | – | BPT60L7340 | BPT60L7540 | BPT60L7570 |
| 18" | – | BPT60L7340 | BPT60L7540 | BPT60L7570 |
| 15" | – | BPT60L7340 | BPT60L7540 | – |
| 12" | BPT60L7140 | – | – | – |

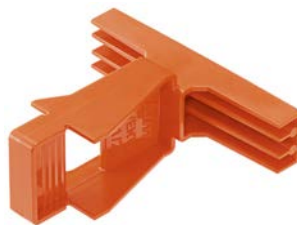
Required Parts



Synchronization Adapters

- To be used with the T60L1118W synchronization rod

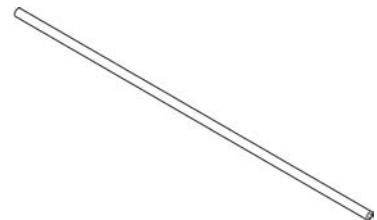
| Item # |
|-----------|
| BPT60000D |



TIP-ON BLUMOTION for MOVENTO Front Gap Template

- For creating a 1/8" (3.5mm) front gap
- For use with TIP-ON BLUMOTION for MOVENTO only
- Not for use with 769R series runners

| Item # |
|------------|
| BP655632US |



Synchronization Rod

- Recommended for all cabinet widths for optimal function
- Opening width: 12-3/8" (314mm) minimum, 54-1/2" (1385mm) maximum
- Length 44-1/32" (1118mm), cut to size

| Item # |
|-------------|
| BPT60L1118W |



TIP-ON BLUMOTION Synchronization for Narrow Applications

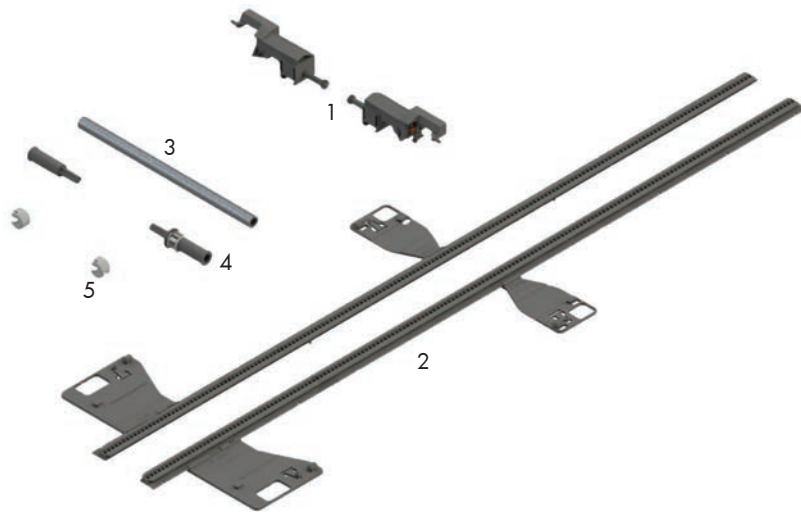
- Opening width: 11-1/16" (281mm) minimum, 12" (305mm) maximum
- Length 2-1/2" (64mm), cut to size

| Item # |
|-------------|
| BPT60300D22 |

BLUM MOVENTO DRAWER SYSTEMS

Lateral Stabilizer for MOVENTO 763H/763. and 769. Series

- Synchronizes left and right runners to prevent drawer racking and increases lateral stability
- Ideal for wide applications using MOVENTO
- Does not increase load capacity
- Frameless and blocked-out face frame applications 12" (305mm) to 27" (686mm) drawers
- Recommended for opening widths 24" (610mm) and wider



Lateral Stabilizer Set

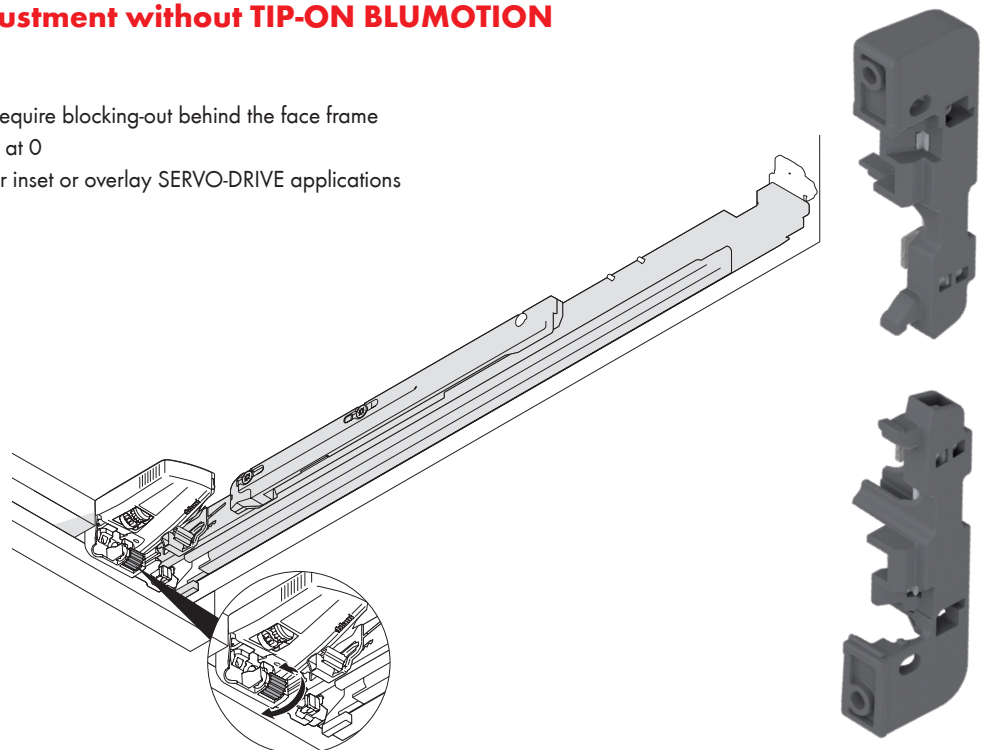
- Set Includes:
 - 1) Pinion housing (qty 2)
 - 2) Gear rack with locating tabs (qty 2)
 - 3) Linkage rod, 41-3/8" (1051mm) length
 - 4) Pinion adapter (qty 2)
 - 5) Locking clip (qty 2)
- Also includes installation instructions

| Item # |
|-------------|
| BPZS7M686MU |

Optional Add-On Depth Adjustment without TIP-ON BLUMOTION

- Uses the same 763 or 769 runner
- Requires increased setback of the runner
- 763H/763. and 769. frame applications require blocking-out behind the face frame
- Depth adjustment +/- 3/32" (2mm), preset at 0
- Integrated 1/8" (3mm) distance bumper for inset or overlay SERVO-DRIVE applications
- Not for use with TIP-ON BLUMOTION
- Set Includes:
 - Right and left add-on depth adjustment
 - Installation instructions

| Item # |
|-----------|
| BP2987600 |



A
B
C
D
E
F
G
H
I
J
K
L
M
N
O
P
Q
R
S
T
U
V
W
X
Y

BLUM MOVENTO DRAWER SYSTEMS



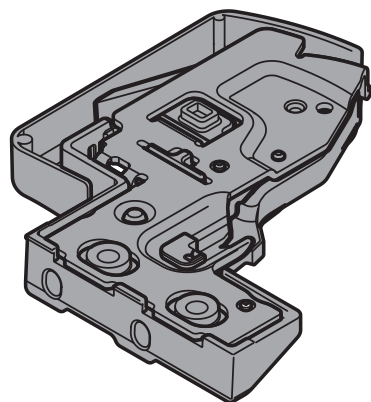
Standard Locking Device with Side-to-Side Adjustment



- One right and one left required per drawer
- Captive right and self-aligning left device
- Self-adjusting drawer length tolerance
- Steel base with synthetic, spring-loaded release levers
- Minimum inside drawer width 6-11/16" (170mm)
- Side-to-side adjustment +/- 1/16" (1.5mm)
- For use with MOVENTO runners only
- Packed in full boxes of 100.

| Item # | Description |
|------------|----------------------------|
| BPT517601R | Right front locking device |
| BPT517601L | Left front locking device |

Available any quantity.

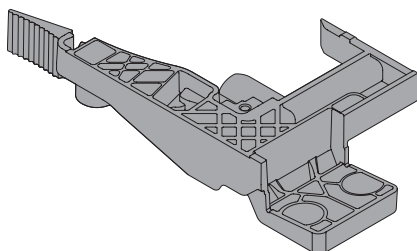


Vertical Mount Locking Device with Side-to-Side Adjustment

- One right and one left required per drawer
- Used to minimize sub-front splitting
- Self-adjusting drawer length tolerance
- Steel base with synthetic, spring-loaded release levers
- Minimum inside drawer width 6-11/16" (170mm)
- Side-to-side adjustment +/- 1/16" (1.5mm)
- Minimum sub-front thickness 5/8" (16mm)
- Designed for 1/2" (13mm) drawer bottom recess
- Packed in full boxes of 100.

| Item # | Description |
|--------------|----------------------------|
| BPT51760120R | Right front locking device |
| BPT51760120L | Left front locking device |

Available any quantity.



Narrow Drawer Locking Devices

- One right and one left required per drawer
- For use with narrow drawers
- Maximum dynamic load capacity 25 lb
- Self-adjusting drawer length tolerance
- Vertical mount, two-piece nylon
- Minimum inside drawer with 3-3/4" (95mm) without TIP-ON BLUMOTION
- Minimum sub-front thickness 5/8" (16mm)
- Designed for 1/2" (13mm) drawer bottom recess
- Packed in full boxes of 100. Available any quantity.

| Item # | Description |
|--------------|----------------------------|
| BPT51050120R | Right front locking device |
| BPT51050120L | Left front locking device |



Locking Device Spacer for Thin Fronts

- Works with MOVENTO locking devices
- 15/32" (12mm) and 1/2" (13mm) sub-fronts only

| Item # |
|------------|
| BPT59K010M |

BLUM MOVENTO DRAWER SYSTEMS

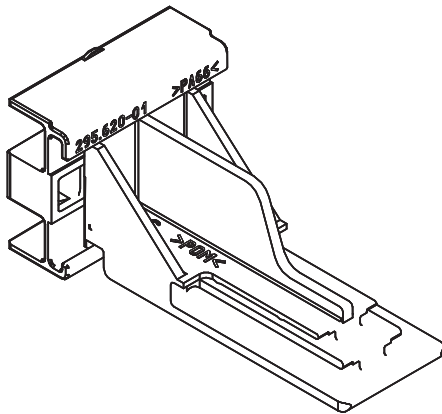
A
B
C
D
E
F
G
H
I
J
K
L
M
N
O
P
Q
R
S
T
U
V
W
X
Y



Screw-On Rear Bracket

- For MOVENTO 763H series runners
- Lateral self-alignment 1/8" (3mm)
- Non-handed, one-piece stamped steel design, zinc-coated
- Use at least three #6 wood screws
- Not for use with TIP-ON BLUMOTION
- Packed in full boxes of 100. Available any quantity.

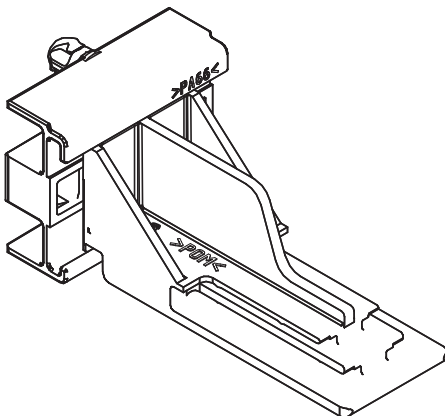
| |
|---------------|
| Item # |
| BP295375002 |



Screw-On Socket

- For MOVENTO 763H series runners
- Lateral self-alignment
- Non-handed, two-piece design
- Synthetic, natural color
- Use two #6 flat head wood screws
- Not for use with TIP-ON BLUMOTION
- Packed in full boxes of 125. Available any quantity.

| |
|---------------|
| Item # |
| BP2956400 |



Plug-in Socket

- For MOVENTO 763H series runners
- Lateral self-alignment feature
- Non-handed, two-piece design
- Synthetic, natural color
- Non-detachable 5/16" (8mm) dowels, 3/8" (9.5mm) long
- 1/4" (6mm) minimum back panel thickness
- Use two #6 flat head wood screws
- Not for use with TIP-ON BLUMOTION
- Packed in full boxes of 125. Available any quantity.

| |
|---------------|
| Item # |
| BP2956410 |

A
B
C
D
E
F
G
H
I
J
K
L
M
N
O
P
Q
R
S
T
U
V
W
X
Y

BLUM MOVENTO DRAWER SYSTEMS



Waste/Recycle Drawer with Motion Technologies



- Pre-assembled bottom mount set
- MOVENTO heavy duty full extension concealed runners with BLUMOTION
- For 12", 15", and 18" minimum opening widths
- 1/2" (13mm) to 5/8" (16mm) drawer thickness
- 3/4" (19mm) over extension
- For face frame and frameless applications
- Tool-free side-to-side, height and tilt adjustment
- Maximum 1/4" (6mm) cabinet bottom recess
- 135 lb static load capacity
- Compatible with TIP-ON BLUMOTION and SERVO-DRIVE



MOVENTO Waste/Recycle Set

• Set Includes:

- 1) MOVENTO heavy duty runner set with pre-mounted #6 x 1" wood screw for installation (qty 8)
- 2) Standard locking device (qty 2) with #6 x 5/8" wood screws for installation (qty 4)

Also includes installation template and instructions

NOTE: Lateral stabilizer cannot be used with 769R series runners.

| Item # | Description | Drawer Length |
|--------------|-------------------------------|---------------|
| BP769R5337SB | For 12" minimum opening width | 21" (533mm) |
| BP769R5337SD | For 15" minimum opening width | 21" (533mm) |
| BP769R5337SF | For 18" minimum opening width | 21" (533mm) |



SERVO-DRIVE Waste/Recycle Set (Optional)

• Set Includes:

- Drive unit (pre-attached)
- Double bottom bracket with #6 x 1" wood screws (qty 2)
- Cable clips (qty 4)
- Adapter plate
- INSERTA cable connector
- Screw-on distance bumpers (qty 4) with #6 x 5/8" wood screws for installation (qty 8)
- 110 volt plug-in power supply with six feet of universal cable

| Item # |
|---------------|
| BPZ10NA30UGUS |

TIP-ON BLUMOTION for MOVENTO Waste/Recycle Set

- Fully mechanical touch-to-open solution for waste/recycle sets
- Heavy duty L5 TIP-ON BLUMOTION units and triggers
- TIP-ON BLUMOTION synchronization rod, pre-cut per width
- TIP-ON BLUMOTION synchronization adapters*
- Instruction sheet

* NOTE: T60L7570.B does not use TIP-ON BLUMOTION synchronization adapters

| Item # | Description |
|-------------|--------------------|
| BPT60L7570B | For 769R5337SB set |
| BPT60L7570D | For 769R5337SD set |
| BPT60L7570F | For 769R5337SF set |

BLUM MOVENTO DRAWER SYSTEMS



MOVENTO Bottom Mount Drawer - Heavy Duty



- MOVENTO heavy duty full extension concealed runners with BLUMOTION
- 1/2" (13mm) to 5/8" (16mm) drawer thickness
- 3/4" (19mm) over extension
- For face frame and frameless applications
- Tool-free side-to-side, height and tilt adjustment
- Maximum 1/4" (6mm) cabinet bottom recess
- 135 lb static load capacity
- Designed to be used with SERVO-DRIVE or TIP-ON BLUMOTION

MOVENTO Bottom Mount Runner Set

- One set required per drawer
- Set Includes:
 - 1) MOVENTO heavy duty runner set with pre-mounted #6 x 1" wood screws for installation (qty 8)
 - 2) Standard locking device (qty 2) with #6 x 5/8" wood screws for installation (qty 4)
- Also includes installation instructions
- NOTE: Interior roll-outs and roll-out shelf applications must be mounted to the bottom of the cabinet or to a fixed shelf panel. Pre-attached 1/4" spacers should not be removed. Cabinet bottom recess must be 1/4" (6mm) less. Lateral stabilizer cannot be used with 769R series runners.



| Item # |
|-------------|
| BP769R5330S |

SERVO-DRIVE Waste/Recycle Set (Optional)

- Set Includes:
 - Drive unit (pre-attached)
 - Double bottom bracket with #6 x 1" wood screws (qty 2)
 - Cable clips (qty 4)
 - Adapter plate
 - INSERTA cable connector
 - Screw-on distance bumpers (qty 4) with #6 x 5/8" wood screws for installation (qty 8)
 - 110 volt plug-in power supply with six feet of universal cable
 - Cable end protectors (qty 2)
 - Installation template, instructions, and user manual



| Item # |
|---------------|
| BPZ10NA30UGUS |

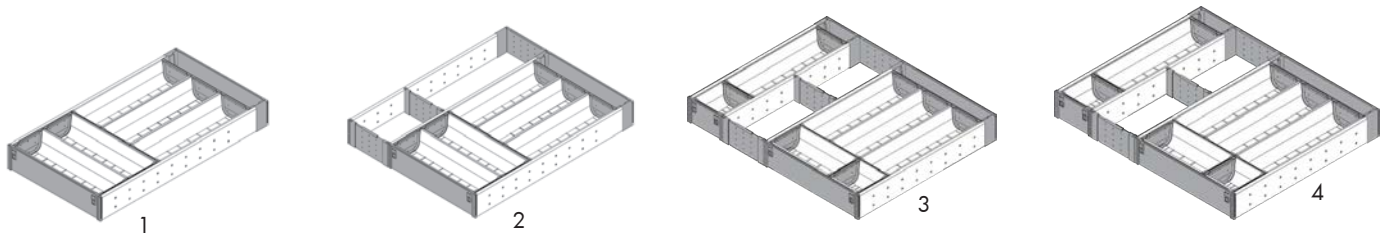
A
B
C
D
E
F
G
H
I
J
K
L
M
N
O
P
Q
R
S
T
U
V
W
X
Y

A
B
C
D
E
F
G
H
I
J
K
L
M
N
O
P
Q
R
S
T
U
V
W
X
Y

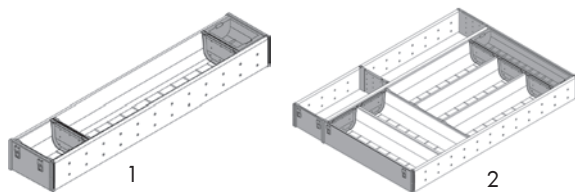
BLUM MOVENTO ORGA-LINE

ORGA-LINE

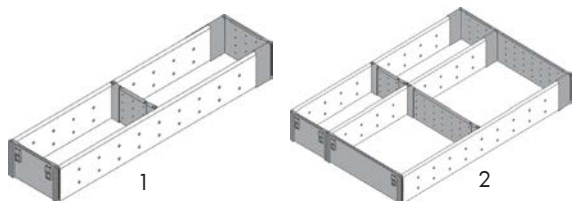
- Adjustable organization solution for wood drawers that are ideal for storing items in the kitchen and throughout the home
- Spring loaded compensation tray and side rails ensure that each kit will fit into an inside drawer length from 19-1/4" to 20"
- Removable trays are made of high quality nylon and stainless steel
- Dishwasher safe up to 170° F



| Flatware - For 21" Drawers | | | |
|----------------------------|--------------|-------------------------------------|----------------|
| | Item # | Width | Height |
| 1 | BPZHI533BI3A | 11-3/16" (284mm) | 2-9/16" (65mm) |
| 2 | BPZHI533KI4A | 15" (381mm) | 2-9/16" (65mm) |
| 3 | BPZHI533TI4A | 15-3/4" to 16-1/2" (400mm to 419mm) | 2-9/16" (65mm) |
| 4 | BPZHI533TI5A | 18-3/4" to 19-1/2" (477mm to 495mm) | 2-9/16" (65mm) |

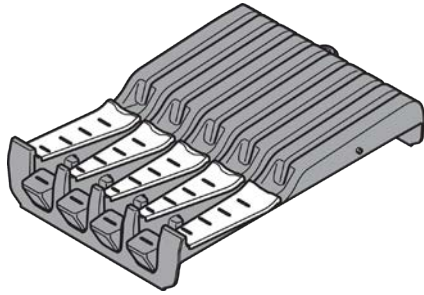


| Odds and Ends - For 21" Drawers | | | |
|---------------------------------|--------------|-----------------|----------------|
| | Item # | Width | Height |
| 1 | BPZHI533BI1A | 4-1/4" (108mm) | 2-9/16" (65mm) |
| 2 | BPZHI533MI3A | 11-7/8" (302mm) | 2-9/16" (65mm) |



| Odds and Ends - For 21" Drawers | | | |
|---------------------------------|--------------|------------------|----------------|
| | Item # | Width | Height |
| 1 | BPZHI533FI1A | 4-1/4" (108mm) | 2-9/16" (65mm) |
| 2 | BPZHI533FI3A | 11-9/16" (294mm) | 2-9/16" (65mm) |

BLUM MOVENTO ORGA-LINE

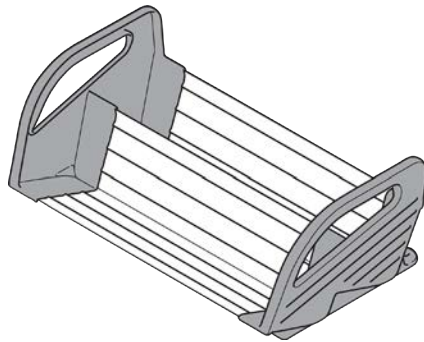


ORGA-LINE Knife Holder

- Length 11" (280mm)
- Width 7-1/8" (180mm)
- Holds up to nine knives of different sizes
- High quality nylon and stainless steel
- Dishwasher safe up to 170°F
- Handle support (qty 4)



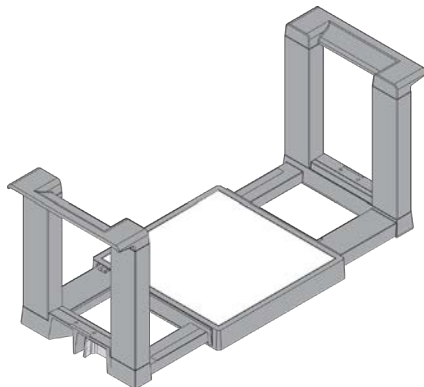
| |
|---------------|
| Item # |
| BPZSZ02M0 |



ORGA-LINE Spice Tray

- Width 11-1/8" (282mm) - Inside storage width 10-1/4" (260mm)
- Height 4-3/4" (121mm)
- Easy removal from drawer
- High quality nylon and stainless steel
- Set includes two trays and four feet

| |
|---------------|
| Item # |
| BPZFZ38G0I |



ORGA-LINE Plate Holder

- Adjustable width 7-5/16" to 12-11/16" (186mm to 322mm)
- Overall height 6-11/16" (170mm)
- Holds up to 12 plates
- Non-slip bottom
- High quality nylon and stainless steel

| |
|---------------|
| Item # |
| BPZC7T0350 |

A
B
C
D
E
F
G
H
I
J
K
L
M
N
O
P
Q
R
S
T
U
V
W
X
Y

A
B
C
D
E
F
G
H
I
J
K
L
M
N
O
P
Q
R
S
T
U
V
W
X
Y

BLUM MOVENTO ASSEMBLY AIDS & ACCESSORIES



Universal Individual Template

- For pre-boring MOVENTO drawer runners
- Also used for marking/pre-boring other Blum drawer systems, AVENTOS locating pins, hinge mounting plates, BLUMOTION adapters, and TIP-ON adapters
- Calibrated scales for accurate setting
- Set includes: Universal individual template, 2.5mm and 5mm stop collars, allen wrench



| Item # |
|------------|
| BP65105102 |



Cabinet Profile Template Set

- Used for pre-boring holes for MOVENTO drawer runners
- Also used for marking/pre-boring other Blum drawer systems, AVENTOS locating pins and hinge mounting plates

| Item # | Description |
|------------|---------------------------|
| BP65100001 | Cabinet Profile Template* |
| BPDB25 | 2.5mm Drill Bit |
| BPDB6 | 6mm Drill Bit |

*** Set Includes:**

- Rail, 1 meter long
- Replacement template (qty 4)
- 2.5mm stop collar
- 5mm stop collar
- Allen wrench



Concealed Runner Template

- Essential tool for drawers using any MOVENTO or TANDEM runners
- To bore 6mm holes for rear hooks
- Pre-bore 2.5mm hole for MOVENTO locking devices at the required angle

| Item # |
|-------------|
| BPT65160001 |

Concealed Runner Template Accessories

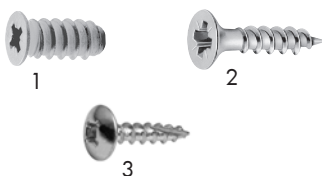
| Item # | Description |
|-----------|-----------------|
| BPDB25 | 2.5mm Drill Bit |
| BPDB6 | 6mm Drill Bit |
| BPT659000 | Tool Set* |

* Set includes 2.5mm drill bit extension, 6mm stop collar, #2 Phillips screwdriver tip, and allen wrenches



Wood and Euro Screws

| | Item # | Description | Box Qty |
|---|-------------|------------------------|---------|
| 1 | BP6611150HG | #6 x 11.5mm, #2 POZI | 1,000 |
| 2 | BP606N100 | #6 X 5/8", #2 Phillips | 100 |
| | BP606N1000 | #6 X 5/8", #2 Phillips | 1000 |
| 3 | BP612TH100 | #6 x 1/2", #2 Phillips | 100 |



GRASS DYNAPRO UNDERMOUNT DRAWER SLIDES



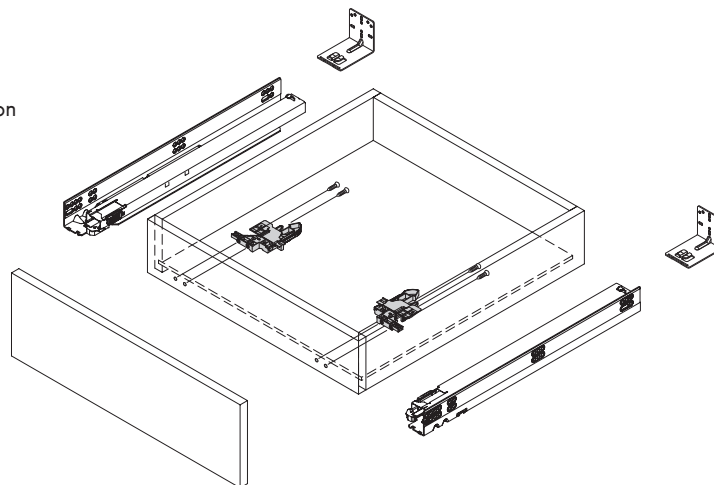
Integrated 2D Soft-Close Undermount Slides for 16mm (5/8") and 19mm (3/4") Material

- Full extension with a synchronized mechanism
- Soft-close liquid damping system
- Self-latching front locking devices have easy release levers for drawer removal and installation
- Height adjustment +3.5mm with suitable front locking device
- Side adjustment ±1.5mm with suitable front locking device
- Depth adjustment +3.0mm forward with suitable front locking device
- 100 lb load rating (45 kg)
- Packaged in full box quantities of 5. Available any quantity.

| Dynapro 2D 16mm (5/8") Full Extension Slides, 100lb (45kg) | | | | |
|--|---------------|-------------------|------------------------|------------------------|
| Item # | Drawer Length | Nominal Length | Min Installation Depth | Max Installation Depth |
| GFDYNAPRO-9 | 9" (229mm) | 10-5/16" (262mm) | 10-3/4" (273mm) | 13-7/8" (352mm) |
| GFDYNAPRO-12 | 12" (305mm) | 12-23/32" (323mm) | 12-7/8" (327mm) | 14-9/16" (370mm) |
| GFDYNAPRO-15 | 15" (381mm) | 15-23/32" (399mm) | 15-7/8" (403mm) | 17-9/16" (446mm) |
| GFDYNAPRO-18 | 18" (457mm) | 18-11/16" (475mm) | 18-27/32" (479mm) | 20-9/16" (522mm) |
| GFDYNAPRO-21 | 21" (533mm) | 21-11/16" (551mm) | 21-27/32" (555mm) | 23-17/32" (598mm) |

| Dynapro 2D 19mm (3/4") Full Extension Slides, 100lb (45kg) | | | | |
|--|---------------|-------------------|------------------------|------------------------|
| Item # | Drawer Length | Nominal Length | Min Installation Depth | Max Installation Depth |
| GFDYNAPRO75-9 | 9" (229mm) | 10-5/16" (262mm) | 10-3/4" (273mm) | 13-7/8" (352mm) |
| GFDYNAPRO75-12 | 12" (305mm) | 12-23/32" (323mm) | 12-7/8" (327mm) | 14-9/16" (370mm) |
| GFDYNAPRO75-15 | 15" (381mm) | 15-23/32" (399mm) | 15-7/8" (403mm) | 17-9/16" (446mm) |
| GFDYNAPRO75-18 | 18" (457mm) | 18-11/16" (475mm) | 18-27/32" (479mm) | 20-9/16" (522mm) |
| GFDYNAPRO75-21 | 21" (533mm) | 21-11/16" (551mm) | 21-27/32" (555mm) | 23-17/32" (598mm) |

Front locking devices and rear brackets shown on pages E-86 to E-88



A
B
C
D
E
F
G
H
I
J
K
L
M
N
O
P
Q
R
S
T
U
V
W
X
Y

GRASS DYNAPRO UNDERMOUNT DRAWER SLIDES



Integrated 3D Soft-Close Undermount Slides for 16mm (5/8") and 19mm (3/4") Material



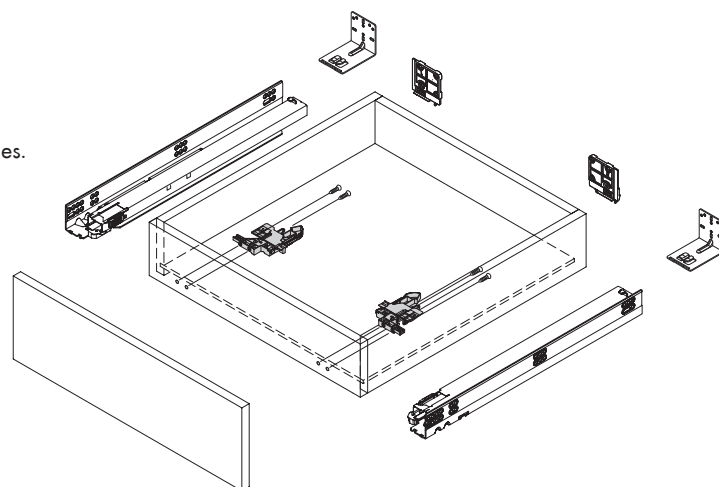
- Full extension with a synchronized mechanism
- Soft-close liquid damping system
- Self-latching front locking devices have easy release levers for drawer removal and installation
- Height adjustment +3.5mm with suitable front locking device
- Side adjustment ±1.5mm with suitable front locking device
- Tilt adjustment +4.0mm
- Depth adjustment +3.0mm forward with suitable front locking device
- 100 lb load rating (45 kg)
- Packaged in full box quantities of 5. Available any quantity.

| Dynapro 3D 16mm (5/8") Full Extension Slides, 100lb (45kg) | | | | |
|--|---------------|-------------------|------------------------|------------------------|
| Item # | Drawer Length | Nominal Length | Min Installation Depth | Max Installation Depth |
| GFDYNAPRO3D-9 | 9" (229mm) | 10-5/16" (262mm) | 10-3/4" (273mm) | 13-7/8" (352mm) |
| GFDYNAPRO3D-12 | 12" (305mm) | 12-23/32" (323mm) | 12-7/8" (327mm) | 14-9/16" (370mm) |
| GFDYNAPRO3D-15 | 15" (381mm) | 15-23/32" (399mm) | 15-7/8" (403mm) | 17-9/16" (446mm) |
| GFDYNAPRO3D-18 | 18" (457mm) | 18-11/16" (475mm) | 18-27/32" (479mm) | 20-9/16" (522mm) |
| GFDYNAPRO3D-21 | 21" (533mm) | 21-11/16" (551mm) | 21-27/32" (555mm) | 23-17/32" (598mm) |

| Dynapro 3D 19mm (3/4") Full Extension Slides, 100lb (45kg) | | | | |
|--|---------------|-------------------|------------------------|------------------------|
| Item # | Drawer Length | Nominal Length | Min Installation Depth | Max Installation Depth |
| GFDYNAPRO3D75-12 | 12" (305mm) | 12-23/32" (323mm) | 12-7/8" (327mm) | 14-9/16" (370mm) |
| GFDYNAPRO3D75-15 | 15" (381mm) | 15-23/32" (399mm) | 15-7/8" (403mm) | 17-9/16" (446mm) |
| GFDYNAPRO3D75-18 | 18" (457mm) | 18-11/16" (475mm) | 18-27/32" (479mm) | 20-9/16" (522mm) |
| GFDYNAPRO3D75-21 | 21" (533mm) | 21-11/16" (551mm) | 21-27/32" (555mm) | 23-17/32" (598mm) |
| GFDYNAPRO75-21 | 21" (533mm) | 21-11/16" (551mm) | 21-27/32" (555mm) | 23-17/32" (598mm) |

Front locking devices and rear brackets shown on pages E-86 to E-88

Note: Tilt adjustment adapters required for Dynapro 3D Series drawer slides.



GRASS DYNAPRO UNDERMOUNT DRAWER SLIDES



**Heavy Duty and Extended Length
Soft-Close Undermount Slides**

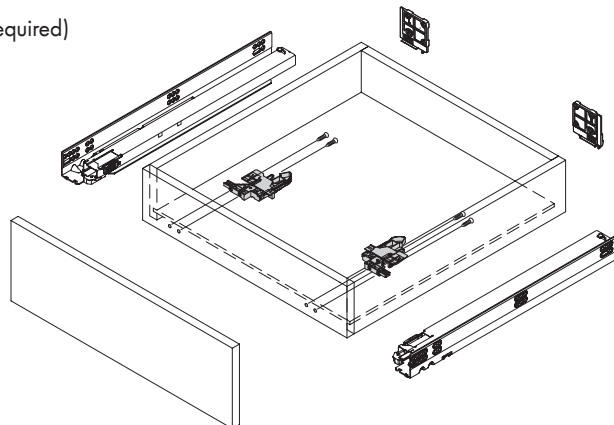


- 16mm (5/8") and 19mm (3/4") Material
- Face frame application must be blocked out
- Full extension with a synchronized mechanism
- Soft-close liquid damping system
- Self-latching front locking devices have comfortable release levers for drawer removal and installation
- Height adjustment +3.5mm
- Side adjustment ±1.5mm
- Tilt adjustment +4.0mm
- Depth adjustment +4.5mm (optional)
- 132 lb load rating (60 kg) heavy duty
- 110 lb load rating (50 kg) extended length

| Dynapro 16mm (5/8") Heavy Duty Full Extension Slides, 132lb (60kg) and 110lb (50kg) | | | | | |
|---|---------------|-------------------|------------------------|--------------|---------|
| Item # | Drawer Length | Nominal Length | Min Installation Depth | Load Rating | Box Qty |
| GFDYNAPROHD-18 | 18" (457mm) | 18-11/16" (475mm) | 18-27/32" (479mm) | 132lb (60kg) | 5 |
| GFDYNAPROHD-21 | 21" (533mm) | 21-11/16" (551mm) | 21-27/32" (555mm) | 132lb (60kg) | 5 |
| GFDYNAPROHD-24 | 24" (610mm) | 24-23/32" (628mm) | 24-7/8" (632mm) | 132lb (60kg) | 5 |
| GFDYNAPROHD-27 | 27" (686mm) | 27-23/32" (704mm) | 27-7/8" (708mm) | 110lb (50kg) | 4 |
| GFDYNAPROHD-30 | 30" (762mm) | 30-23/32" (780mm) | 30-7/8" (784mm) | 110lb (50kg) | 4 |

| Dynapro 19mm (3/4") Heavy Duty Full Extension Slides, 132lb (60kg) and 110lb (50kg) | | | | | |
|---|---------------|-------------------|------------------------|--------------|---------|
| Item # | Drawer Length | Nominal Length | Min Installation Depth | Load Rating | Box Qty |
| GFDYNAPROHD75-18 | 18" (457mm) | 18-11/16" (475mm) | 18-27/32" (479mm) | 132lb (60kg) | 5 |
| GFDYNAPROHD75-21 | 21" (533mm) | 21-11/16" (551mm) | 21-27/32" (555mm) | 132lb (60kg) | 5 |
| GFDYNAPROHD75-24 | 24" (610mm) | 24-23/32" (628mm) | 24-7/8" (632mm) | 132lb (60kg) | 5 |
| GFDYNAPROHD75-27 | 27" (686mm) | 27-23/32" (704mm) | 27-7/8" (708mm) | 110lb (50kg) | 4 |
| GFDYNAPROHD75-30 | 30" (762mm) | 30-23/32" (780mm) | 30-7/8" (784mm) | 110lb (50kg) | 4 |

Front locking devices and rear tilt adjustment adapters (required)
shown on pages E-86 to E-88



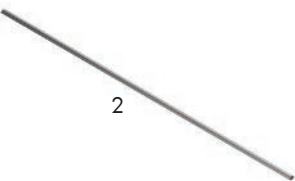
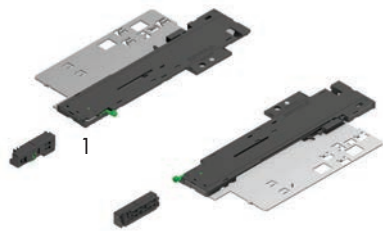
A
B
C
D
E
F
G
H
I
J
K
L
M
N
O
P
Q
R
S
T
U
V
W
X
Y

GRASS DYNAPRO TIPMATIC SOFT-CLOSE



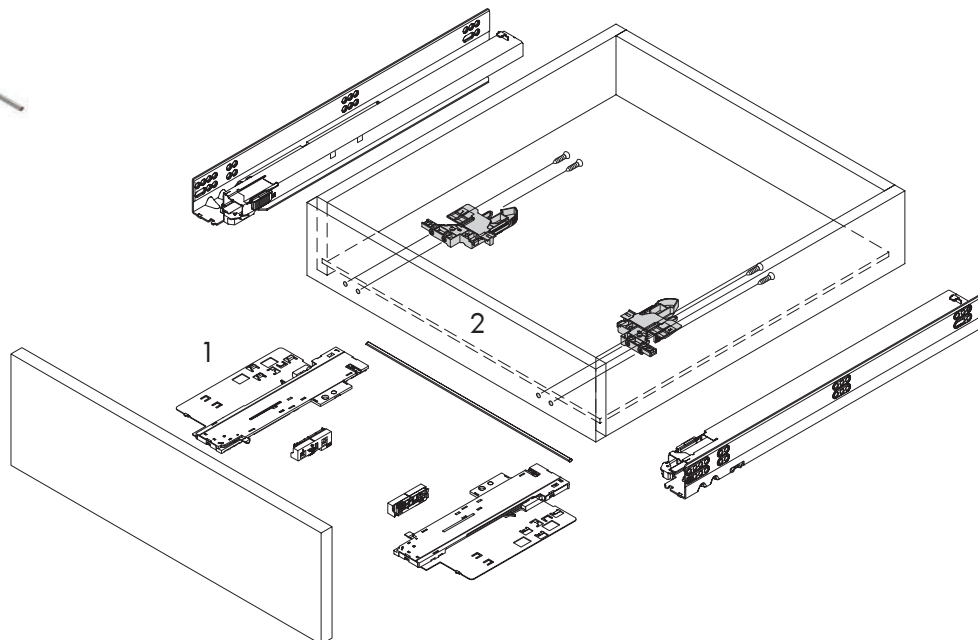
Dynapro Soft-Close Tipmatic

- Mechanical opening system for handle-free fronts
- Combines Tipmatic function with Soft-close damping
- Tool-free assembly of the Tipmatic Soft-close unit
- One unit for nominal lengths 305mm (12") up to 762mm (30")
- 3 tier adjustment for the opening force
- Wide activation zone due to synchronization bar
- Works with all Dynapro types including heavy duty
- Works with Vionaro drawers
- Dynapro Tipmatic Soft-close works with all Dynapro front locking devices
- For drawer widths up to 1200mm



| Tipmatic Soft-Close for 16mm (5/8") and 19mm (3/4") Material | | | |
|--|--------------------|--|---------|
| | Item # | Description | Box Qty |
| 1 | GFDYNATIPMATICSET | Tipmatic Soft-Close Set, Unit and Activator | 10 |
| 2 | GFDYNATIPMATICSYNC | Tipmatic Synchronization Bar - Cut to Length 37-1/2" (952mm) | 10 |

Note: Tipmatic Soft-Close does not work with 9" slides



GRASS DYNAPRO TIPMATIC



Tipmatic Full Extension for 16mm (5/8") Drawer Material



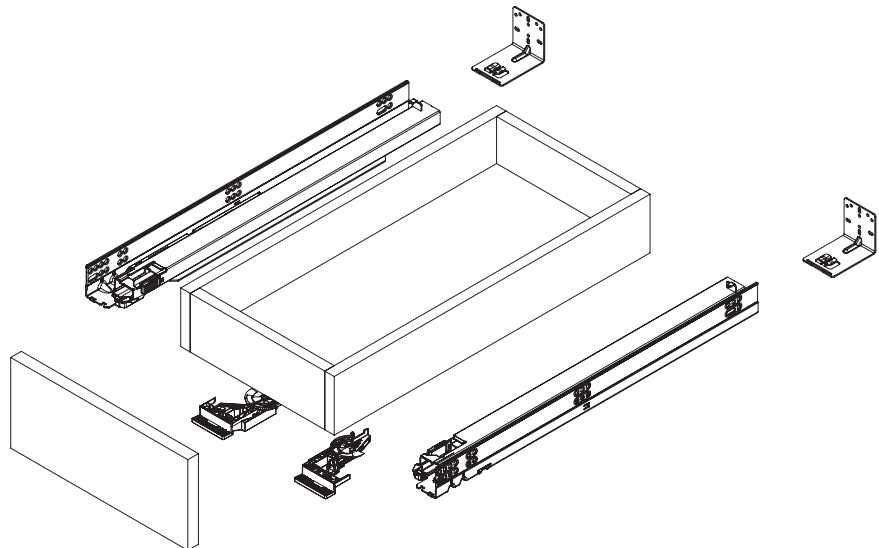
- Integrated Tipmatic
- Full extension with a synchronized mechanism
- Designed for drawers without pulls
- Face frame or frameless applications from 12.7mm (1/2") up to 16mm (5/8") drawer material
- Secure and smooth operation even if drawer is pulled open
- Self-latching front locking devices have comfortable release levers for drawer removal and installation
- Height adjustment +3.0mm with front locking device
- Drawer widths should not exceed 26" wide
- Packaged in boxes of 5 sets. Available any quantity.



Dynapro 16mm (5/8") Tipmatic Full Extension Slides

| Item # | Drawer Length | Nomical Length | Min Installation Depth |
|-------------------|---------------|-------------------|------------------------|
| GFDYNATIPMATIC-15 | 15" (381mm) | 15-23/32" (399mm) | 15-7/8" (403mm) |
| GFDYNATIPMATIC-18 | 18" (457mm) | 18-11/16" (475mm) | 18-27/32" (479mm) |
| GFDYNATIPMATIC-21 | 21" (533mm) | 21-11/16" (551mm) | 21-27/32" (555mm) |

Front locking devices and rear brackets shown on pages E-86 to E-88



A
B
C
D
E
F
G
H
I
J
K
L
M
N
O
P
Q
R
S
T
U
V
W
X
Y

A
B
C
D
E
F
G
H
I
J
K
L
M
N
O
P
Q
R
S
T
U
V
W
X
Y

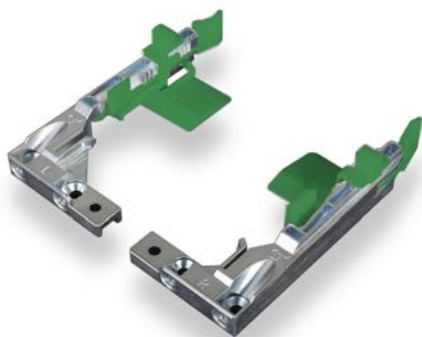
GRASS DYNAPRO FRONT LOCKING DEVICES



Front Locking Devices with Height and Side Adjustment

- Provides 2D adjustment for drawers
- For standard width drawers and inset drawers
- Minimum inside drawer width 7-3/32" (180mm)
- Height adjustment range: +3.5mm
- Side adjustment range: Max +/- 1.5mm

| Item # | Description | Box Qty |
|------------------|----------------------------|---------|
| GFDYNAPROFRONT-L | Left Front Locking Device | 200 |
| GFDYNAPROFRONT-R | Right Front Locking Device | 200 |



Narrow Front Locking Devices with Height Adjustment

- Provides height adjustment for drawers
- For narrow standard width drawers and inset drawers
- Minimum inside drawer width is 3-3/4" (95mm)
- Height adjustment range: +3.5mm

| Item # | Description | Box Qty |
|----------------|-----------------------------------|---------|
| GFDYNAPRONDA-L | Left Narrow Front Locking Device | 200 |
| GFDYNAPRONDA-R | Right Narrow Front Locking Device | 200 |



Eco Front locking Devices

- Provides height adjustment for drawers
- For standard width drawers and inset drawers
- Minimum inside drawer with 5-7/8" (150mm)
- Height adjustment range: +3.5mm (+3.0 with flange)

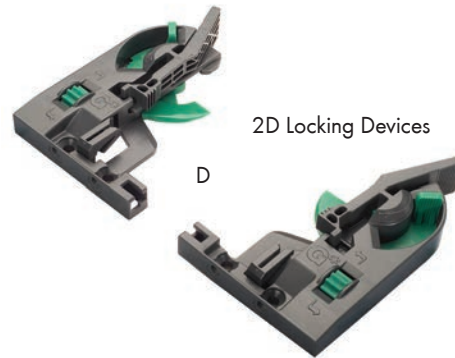
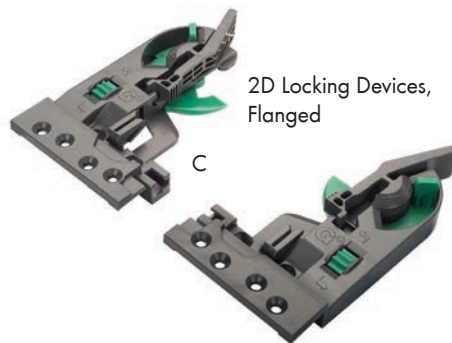
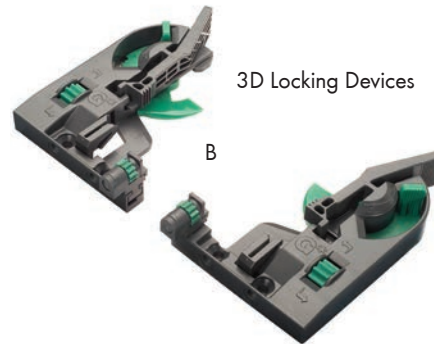
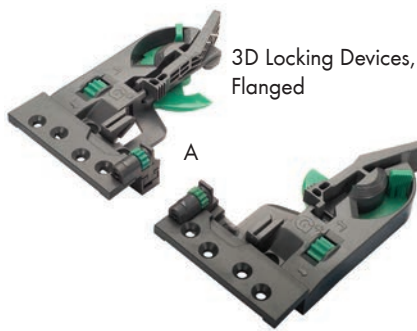
| Item # | Description | Box Qty |
|-----------------|---|---------|
| GFF134116420233 | Eco Flanged Front Locking Device, Left | 200 |
| GFF134116421233 | Eco Flanged Front Locking Device, Right | 200 |

GRASS DYNAPRO FRONT LOCKING DEVICES

2D and 3D Front Locking Devices with Height, Side, and Depth Adjustment



- Provides 2D or 3D adjustment for drawers
- For standard width drawers and inset drawers
- Minimum inside drawer width 5-7/8" (150mm)
- Height adjustment range: +3.5mm
- Side adjustment range: +/-1.5mm
- Depth adjustment range: +3.0mm forward adjustment (3D version only)



| | Item # | Description | Box Qty |
|---|-----------------|--|---------|
| A | GFF134108942233 | 3D Flanged Front Locking Device, Left | 200 |
| | GFF134108943233 | 3D Flanged Front Locking Device, Right | 200 |
| B | GFF134108947233 | 3D Front Locking Device, Left | 200 |
| | GFF134108948233 | 3D Front Locking Device, Right | 200 |
| C | GFF134108944233 | 2D Flanged Front Locking Device, Left | 200 |
| | GFF134108945233 | 2D Flanged Front Locking Device, Right | 200 |
| D | GFF134108950233 | 2D Front Locking Device, Left | 200 |
| | GFF134108951233 | 2D Front Locking Device, Right | 200 |

A
B
C
D
E
F
G
H
I
J
K
L
M
N
O
P
Q
R
S
T
U
V
W
X
Y

A
B
C
D
E
F
G
H
I
J
K
L
M
N
O
P
Q
R
S
T
U
V
W
X
Y

GRASS DYNAPRO REAR BRACKETS, ADJUSTMENT ADAPTERS & ACCESSORIES



Rear Mounting Brackets



- Non-handed for 12" - 21" slides
- For face frame applications
- Each bracket packaged separately

| Item # | Box Qty |
|--------------|---------|
| ME7950.VE300 | 300 |



Narrow Rear Mounting Bracket

- Non-handed for 12" - 21" slides
- For face frame applications with narrow recess of side panel
- Each bracket packaged separately

| Item # | Box Qty |
|--------------|---------|
| ME7951.VE300 | 300 |



Rear Mounting Sockets for 9" Slides

- For face frame applications
- For installation depth min 10-3/4" (273mm) to 13-7/8" (352mm)
- Set includes: Left and right sockets, (4) #M5 x 8 screw

| Item # | Box Qty |
|------------|---------|
| GF00433-37 | 5 |



Tilt Adjustment Adapters

- Provides tilt adjustment for Dynapro 3D slides, Dynapro heavy duty, and Dynapro extended lengths
- Tilt adjustment range: 5/32" (+4mm)
- For both frameless and face frame applications

| Item # | Description | Box Qty |
|----------------|--------------------------------|---------|
| GFDYNAPRORMA-L | Tilt adjustment adapter, left | 200 |
| GFDYNAPRORMA-R | Tilt adjustment adapter, right | 200 |



Depth Adjustment for Drawer Fronts

- Left and right set

| Item # | Box Qty |
|-------------------|---------|
| GFDYNAPRODEPTHADJ | 5 |

GRASS DYNAPRO REAR BRACKETS, ADJUSTMENT ADAPTERS & ACCESSORIES

A
B
C
D
E
F
G
H
I
J
K
L
M
N
O
P
Q
R
S
T
U
V
W
X
Y



Drilling Template for Drawer



- For front locking device, drawer hole hook, and adjustment adapter

| |
|--------------------|
| Item # |
| GFDYNAPRO-TEMPLATE |



Euro Screw, Nickel-Plated

| Item # | Description | Box Qty |
|-----------|-------------------|---------|
| MEEUROSCW | 11mm (7/16") Pozi | 500 |



Wood Screw, Nickel-Plated

| Item # | Description | Box Qty |
|---------|-----------------------|---------|
| GF81001 | #6 X 5/8" FHP, Nickel | 500 |
| GF81003 | #6 X 3/4" FHP, Nickel | 500 |

ORDERING MADE EASY!

Scan Code To Install The New Würth Baer Supply Mobile App!



SCAN • CHECK • BUY



For more information contact Würth Baer Supply Webmaster at 888-922-2237 or your local sales representative.

A
B
C
D
E
F
G
H
I
J
K
L
M
N
O
P
Q
R
S
T
U
V
W
X
Y

GRASS ELITE PLUS UNDERMOUNT DRAWER SLIDES



Soft-Close Full Extension Undermount Slides for up to 5/8" Drawer Material



- Zinc-plated, roll formed steel components
- Precision, smooth-running synthetic roller carriages
- Self-latching front locking devices have comfortable release levers for drawer removal
- Front locking device height adjustable 2.5mm [3/32"]
- Positive tracked right side, ± 1.5mm [1/16"] side tolerance on left side
- Self-closing springs engage 30mm [1 1/4"] before closed position
- Weight capacity: 75 lbs. dynamic, 100 lbs. static
- Exceeds ANSI/BHMA 156.9, Grade 1, Type B05011 drawer slide, test standards
- Drawer slides packed in boxes of 5. Available in any quantity.



| Item # | Description |
|-------------------------------------|--|
| Elite Plus Undermount Slides | |
| GF13031-03 | 9" Elite Plus Undermount Drawer Slide |
| GF13033-03 | 12" Elite Plus Undermount Drawer Slide |
| GF13035-03 | 15" Elite Plus Undermount Drawer Slide |
| GF13039-03 | 18" Elite Plus Undermount Drawer Slide |
| GF13043-03 | 21" Elite Plus Undermount Drawer Slide |

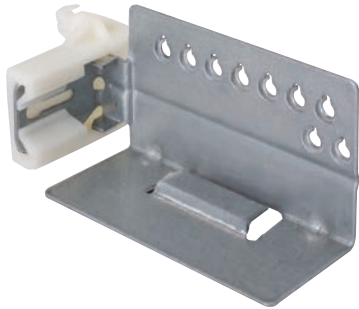
| Item # | Description |
|-------------------------------|---|
| Elite Plus Accessories | |
| GF02614-12 | Elite Plus LH & RH Front Locking Device (Set) |
| GF02615-12 | Elite Plus Left Hand Front Locking Device |
| GF02616-12 | Elite Plus Right Hand Front Locking Device |
| ME7950.VE300 | Rear Mounting Bracket |



Elite Plus Locking Device

Rear Mounting Bracket

GRASS ELITE UNDERMOUNT DRAWERS SLIDES



V-Notch Rear Mounting Brackets



- 19mm rear mounting brackets
- Side-to-side adjustment +/-6mm (1/4")
- Sockets attach to cabinet member with Euro Screws

| Item # | Description |
|---------|-----------------------------------|
| GF02216 | V-Notch, Metal with Socket, Left |
| GF02217 | V-Notch, Metal with Socket, Right |



Euro Screw, Nickel-Plated

| Item # | Description | Box Qty |
|-----------|-------------------|---------|
| MEEUROSCW | 11mm (7/16") Pozi | 500 |



Wood Screw, Nickel-Plated

| Item # | Description | Box Qty |
|---------|-----------------------|---------|
| GF81001 | #6 X 5/8" FHP, Nickel | 500 |
| GF81003 | #6 X 3/4" FHP, Nickel | 500 |



1

Front Locking Devices

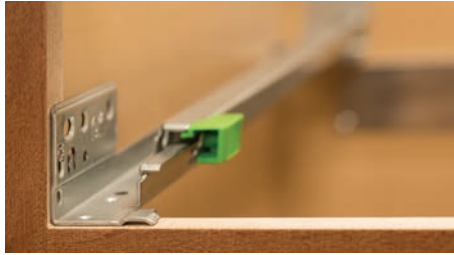
| | Item # | Description | Box Qty |
|---|------------|--|---------|
| 1 | GF02614-12 | Front Locking Device, No Flange, Kit (Left/Right) | 5 |
| | GF02498-12 | Left Front Locking Device, No Flange | 200 |
| | GF02499-12 | Right Front Locking Device, No Flange | 200 |
| 2 | GF02495-12 | Left Front Locking Device, with Flange | 200 |
| | GF02496-12 | Right Front Locking Device, with Flange | 200 |



2

A
B
C
D
E
F
G
H
I
J
K
L
M
N
O
P
Q
R
S
T
U
V
W
X
Y

GRASS MAXCESS FACE FRAME UNDERMOUNT DRAWER SLIDES



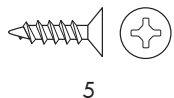
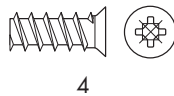
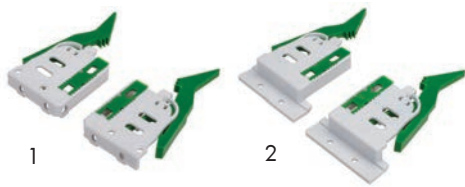
Full Access for 16mm (5/8") Drawer Material



- Slide is concealed to give a full view of drawers
- Face frame applications from 12.7mm (1/2") up to 16mm (5/8") drawer material
- Zinc-plated, roll formed steel components
- Precision, smooth-running synthetic roller carriages
- German technology liquid damper with smooth closing action
- Self-latching front locking devices have easy release levers for drawer removal and installation
- Front locking device with height adjustment 2.5mm (3/32")
- Weight capacity: 75 lb dynamic; 100 lb static
- Meets and exceeds ANSI/BHMA A156.9, Grade 1

Maxcess 16mm (5/8") Drawer Slides for Face Frames

| Item # | Drawer Length | Cab Mem Length | Min Installation Depth | Max Installation Depth | Box Qty |
|-----------------|---------------|-------------------|------------------------|------------------------|---------|
| GFMAXCESSFF-9 | 9" (229mm) | 10-3/32" (256mm) | 10-3/4" (273mm) | 11-13/16" (300mm) | 5 |
| GFMAXCESSFF-12 | 12" (305mm) | 12-7/16" (316mm) | 13-3/4" (349mm) | 14-3/16" (360mm) | 5 |
| GFMAXCESSFF-15 | 15" (381mm) | 15-7/16" (392mm) | 16-25/32" (426mm) | 17-5/32" (436mm) | 5 |
| GFMAXCESSFF-18 | 18" (457mm) | 18-7/16" (468mm) | 19-3/4" (502mm) | 20-5/32" (512mm) | 5 |
| GFMAXCESSFF-21 | 21" (533mm) | 21-15/32" (545mm) | 22-3/4" (578mm) | 23-3/16" (589mm) | 5 |
| GFBMAXCESSFF-15 | 15" (381mm) | 15-7/16" (392mm) | 16-25/32" (426mm) | 17-5/32" (436mm) | 200 |
| GFBMAXCESSFF-18 | 18" (457mm) | 18-7/16" (468mm) | 19-3/4" (502mm) | 20-5/32" (512mm) | 200 |
| GFBMAXCESSFF-21 | 21" (533mm) | 21-15/32" (545mm) | 22-3/4" (578mm) | 23-3/16" (589mm) | 200 |



Front Locking Devices, Rear Mounting Brackets, and Accessories

| | Item # | Description | Box Qty |
|---|--------------|--|---------|
| 1 | GF02614-12 | Front Locking Device, No Flange, Kit (Left/Right) | 5 |
| | GF02498-12 | Left Front Locking Device, No Flange | 200 |
| | GF02499-12 | Right Front Locking Device, No Flange | 200 |
| 2 | GF02495-12 | Left Front Locking Device, with Flange | 200 |
| | GF02496-12 | Right Front Locking Device, with Flange | 200 |
| 3 | ME7950.VE300 | Rear Mounting Bracket | 300 |
| 4 | MEEUROSCW | 11mm (7/16") Pozi Euro Screw | 500 |
| 5 | GF81001 | #6 X 5/8" FHP, Nickel Screw | 500 |
| | GF81003 | #6 X 3/4" FHP, Nickel Screw | 500 |

KING SLIDE UNDERMOUNT DRAWER SLIDES

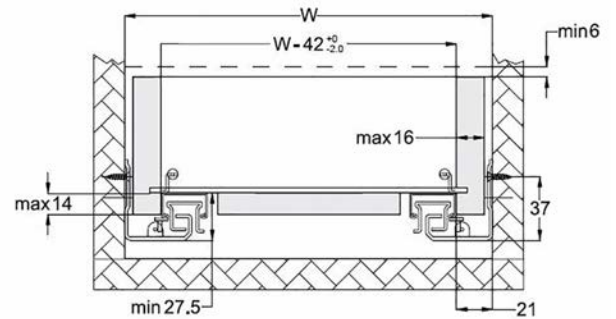


75 Lb Soft-Close Undermount Drawer Slide Full Extension Drawer Slides

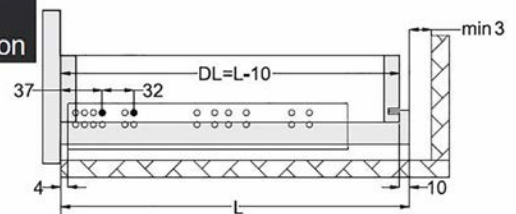
- King Slide undermount’s precision engineering provides superior glide opening and completely eliminates telescopic “bump” present in most other undermount models
- Extremely light pull opening force
- Hydraulic soft-close mechanism engages drawer early in closing motion, providing an extended soft-close travel distance
- Designed to be used with 5/8” drawer side thickness
- Rigid, durable packaging protects slides in-transit
- Standard package includes: Slides, front fixing clips and rear brackets
- Lifetime manufacturers guarantee
- Drawer slides sold in full boxes of 6

| Length | Bulk Pack Item# |
|--------|-----------------|
| 12" | KUKING-12 |
| 15" | KUKING-15 |
| 18" | KUKING-18 |
| 21" | KUKING-21 |

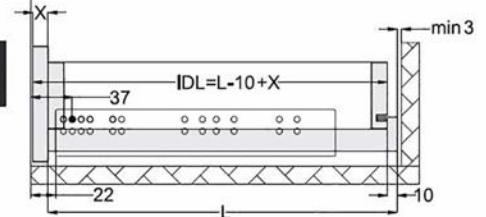
Space Requirement



Overlay installation



Inset installation



A
B
C
D
E
F
G
H
I
J
K
L
M
N
O
P
Q
R
S
T
U
V
W
X
Y

KV MUV+ UNDERMOUNT DRAWER SLIDES



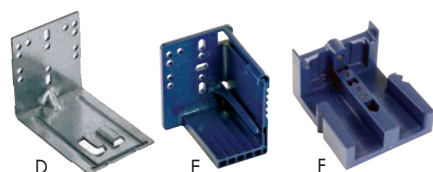
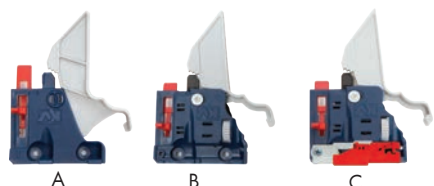
Soft-Close Undermount Slides with Optional 2-D & 3-D Adjustment



- Redesigned pivoting latch increases dampening for a quieter close
- Updated soft-close module allows pull-force adjustment to maintain smooth operation
- Three new release levers allow adjustments on installed drawers
- Bottom mounting holes for flat-surface mounting
- Load rating: MUV+ -75 lbs, MUV+HD - 120 lbs
- Drawer slides packed in boxes of 4 or 6 depending on size. Available in any quantity.

| Size | 1/2" to 5/8" Thick Drawer Material Item # | Box Qty | 5/8" to 3/4" Thick Drawer Material Item # | Box Qty |
|--|---|---------|---|---------|
| KV MUV+ & KVMUV+34 Soft-Close Undermount Drawer Slides | | | | |
| 9" | KVMUVAB-9 | 4 | KVMUV34AB-9 | 4 |
| 10" | KVMUVAB-10 | 4 | KVMUV34AB-10 | 4 |
| 12" | KVMUVAB-12 | 4 | KVMUV34AB-12 | 4 |
| 14" | KVMUVAB-14 | 6 | KVMUV34AB-14 | 6 |
| 15" | KVMUVAB-15 | 6 | KVMUV34AB-15 | 6 |
| 16" | KVMUVAB-16 | 6 | KVMUV34AB-16 | 6 |
| 18" | KVMUVAB-18 | 6 | KVMUV34AB-18 | 6 |
| 20" | KVMUVAB-20 | 6 | KVMUV34AB-20 | 6 |
| 21" | KVMUVAB-21 | 6 | KVMUV34AB-21 | 6 |
| 22" | KVMUVAB-22 | 6 | KVMUV34AB-22 | 6 |
| KV MUV+HD & KVMUV+34HD Heavy Duty Soft-Close Undermount Drawer Slides | | | | |
| 18" | KVMUVHDAB-18 | 4 | KVMUV34HDAB-18 | 4 |
| 20" | KVMUVHDAB-20 | 4 | KVMUV34HDAB-20 | 4 |
| 21" | KVMUVHDAB-21 | 4 | KVMUV34HDAB-21 | 4 |
| 22" | KVMUVHDAB-22 | 4 | KVMUV34HDAB-22 | 4 |
| 24" | KVMUVHDAB-24 | 4 | KVMUV34HDAB-24 | 4 |
| 27" | KVMUVHDAB-27 | 4 | KVMUV34HDAB-27 | 4 |
| 30" | KVMUVHDAB-30 | 4 | KVMUV34HDAB-30 | 4 |

| KV MUV+ Accessories | | | | |
|---------------------|--------|-------------|---|----|
| | Item # | Description | Box Qty | |
| | A | KVMUV1D-RL | Up/Down Height Adjustment Release Lever | 60 |
| | B | KVMUV2D-RL | Up/Down Height, Side-to-Side Adjustment Release Lever | 24 |
| | C | KVMUV3D-RL | Up/Down Height, Side-to-Side Adjustment, In/Out Adj Release Lever | 12 |



| | Item # | Description | Box Qty | |
|--|--------|-------------|--|----|
| | D | KVMUV-RBM | Rear Mounting Bracket for Lengths 14" and Up | 12 |
| | E | KVMUV-RBP | Rear Mounting Bracket for 9", 10", and 12" | 8 |
| | F | KVMUV-124 | Drilling Jig | 1 |

KV G-SLIDE SOFT-CLOSE UNDERMOUNT DRAWER SLIDES

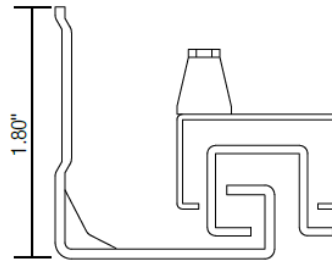
G-Slide 2070B Full Extension Undermounting Drawer Slides



- For use with drawer material thickness from 1/2" to 5/8"
- 32mm hole pattern matches existing industry standards
- Full extension travel
- Mounting: Undermount
- Action: Telescopic action
- Load Rating: 75 lb. class
- Height: 1.80" [45.7mm]
- Finish: Zinc (ZC)
- Slides packaged 6 sets per box. Available any quantity.



| G-Slide 2070B Full Extension Slides | |
|-------------------------------------|------------|
| Length | Item # |
| 9" | GY2070B-9 |
| 12" | GY2070B-12 |
| 15" | GY2070B-15 |
| 18" | GY2070B-18 |
| 21" | GY2070B-21 |



Front Release Levers

- + 1/8" (3mm) height adjustment
- +/- 1/16" (1.5mm) side-to-side adjustment
- Packaged 30 left/right sets per box. Available any quantity.

| Item # | Description |
|--------------|--|
| GY2070-2D-RL | Left/Right Set of Front Release Levers |



2070-RBM

Mounting Brackets

- Packed in boxes of 60 brackets. Available any quantity.

| Item # | Description |
|------------|--------------------------------|
| GY2070-RBM | Metal rear mounting brackets |
| GY2070-RBP | Plastic rear mounting brackets |



2070-RBP

A
B
C
D
E
F
G
H
I
J
K
L
M
N
O
P
Q
R
S
T
U
V
W
X
Y

SALICE FUTURA UNDERMOUNT DRAWER SLIDES

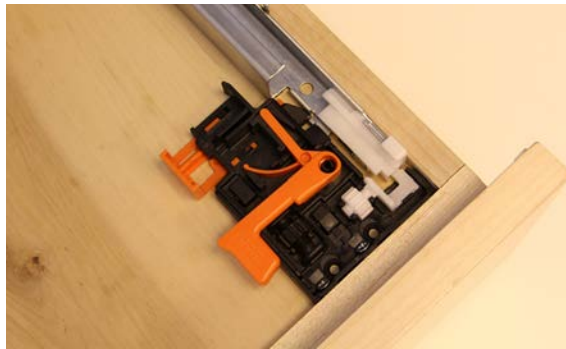


UBA750.010
Front Clips

**Futura Full Extension Undermount Slides
For up to 5/8" Drawer Material**

SALICE

- Full extension, soft-close
- Load capacity: 100 lbs static, 75 lbs dynamic
- 6 way, tool free adjustable front clips for height, depth and side adjustment
- For 16mm (5/8") max drawer material
- Bright zinc-plated finish
- Packaged 6 sets of slides per box. Available in any quantity.



| Item # | Description |
|---------------|---|
| UBA7555/229-N | 9" Futura Full Extension Soft Close Undermount |
| UBA7555/305-N | 12" Futura Full Extension Soft Close Undermount |
| UBA7555/381-N | 15" Futura Full Extension Soft Close Undermount |
| UBA7555/457-N | 18" Futura Full Extension Soft Close Undermount |
| UBA7555/533-N | 21" Futura Full Extension Soft Close Undermount |

| Futura Slide Accessories | |
|--------------------------|---|
| Item # | Description |
| UBA750.010 | Left and Right 6-Way Front Locking Devices (Pair) |
| UBA710.610 | Left and Right Standard Front Locking Device (Pair) |
| UBAGSKXX5 | Rear Mounting Bracket (Each) |

SLIDE BRACKETS



**Rear Epoxy Slide Brackets
Top & Bottom Mount Adapter Brackets**



- Drawer slide adapter bracket allows for easy installation of pull out shelves, silverware drawers or pencil drawers without the use of side panels
- Brackets are non-handed and can be used left or right with white finish
- Bracket is held to the slide with 6-32 machine screws with lock nuts (supplied)
- Includes: (4) brackets per bag with 4 #6-32 x 1/2" machine screws, 4 #6-32 locking nuts

| |
|--------------|
| Item# |
| GF6196-W |

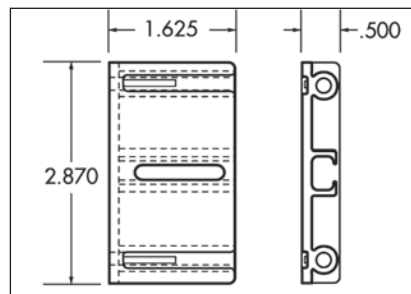


**Inset Drawer Brackets
Universal Undermount Bracket Kit**



- Gray ABS plastic bracket provides 1/2" back and forth adjustment of undermount slides
- Bracket requires only 1/2" face frame offset
- Packing: Kit includes: (1) pair of universal inset brackets, (2) #8 - 32 x 1/2" machine screws to fasten slide to bracket and (4) #7 x 2" washer head combo screws to attach brackets to face frame.

| |
|--------------|
| Item# |
| TXB394 |



FIND IT FAST!

Screw & Fastener Quickfind



Look for the icon above at:
www.wurthbaersupply.com
 or scan the code to the left to go
 directly to the Screw &
 Fastener Quickfind Lookup.

A
B
C
D
E
F
G
H
I
J
K
L
M
N
O
P
Q
R
S
T
U
V
W
X
Y

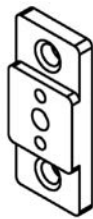
A
B
C
D
E
F
G
H
I
J
K
L
M
N
O
P
Q
R
S
T
U
V
W
X
Y

BRACKETS/SPACERS

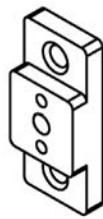
Heavy Duty Nylon Brackets

- For use with any drawer slides, used to clear face frames
- Spacers are available in depths from 1/4" to 2-3/16" and in white and almond colors
- Spacers have two cabinet mounting holes spaced 32mm apart and one center euro screw to mount the drawer slide to the spacer
- Item #PL3616WH has cabinet mounting holes that are 64mm apart

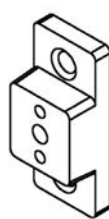
Packing: Full box quantities only.



PL3606WH



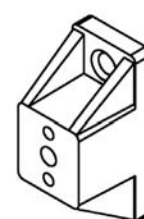
PL3605WH



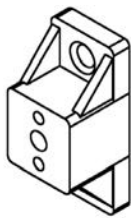
PL3600WH



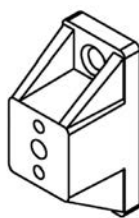
PL3601WH



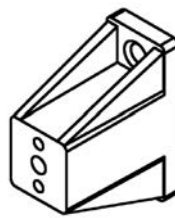
PL3607WH



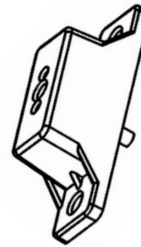
PL3602WH



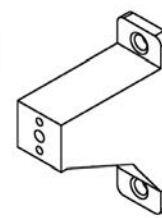
PL3604WH



PL3675WH



PL3616WH



PL3613WH

Rectangular Spacers

| Spacer Depth | Box Qty | White Item# | Box Qty | Almond Item# | Box Qty | Black Item # |
|--------------|---------|-------------|---------|--------------|---------|--------------|
| 1/4" | 100 | PL3606WH | 100 | PL3606AL | 100 | PL3606BK |
| 3/8" | 100 | PL3605WH | 100 | PL3605AL | 100 | PL3605BK |
| 1/2" | 100 | PL3600WH | 100 | PL3600AL | 100 | PL3600BK |
| 3/4" | 100 | PL3601WH | 100 | PL3601AL | 100 | PL3601BK |
| 7/8" | 100 | PL3607WH | 100 | PL3607AL | 100 | PL3607BK |
| 1" | 100 | PL3602WH | 100 | PL3602AL | 100 | PL3602BK |
| 1" (64mm) | 100 | PL3616WH | 100 | PL3616AL | - | - |
| 1-1/4" | 100 | PL3604WH | 100 | PL3604AL | 100 | PL3604BK |
| 1-1/2" | 100 | PL3675WH | 100 | PL3675AL | 100 | PL3675BK |
| 2-3/16" | 100 | PL3613WH | 100 | PL3613AL | - | - |



Miller FastBlock, Adjustable Spacer



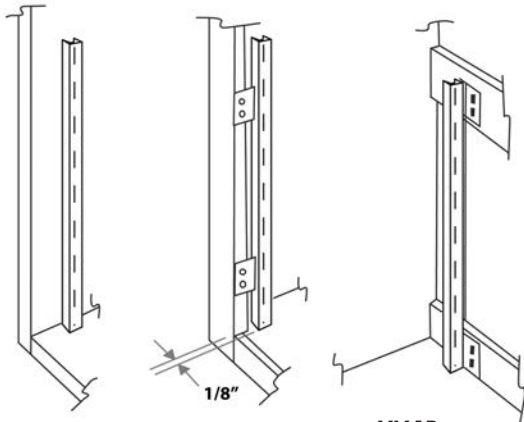
- For roll outs and soft close slides, this spacer adjusts to a perfect fit
- Sliding block accepts a euro screw in front or can be flipped around to use with slide screws
- Up and down adjustment of 3/16"; in and out adjustment 5/8" (flat) to 1" extended
- Load rating of 100 lb.

Packing: As shown below.

Sold In: Full box quantity only.

| Item # | Color | Box Qty |
|--------------------|-------|----------|
| FAMILLERFASTBLOCK | White | 2 Each |
| FAMILLERFASTBLCK-B | White | 100 Each |

VOGT ADJUSTABLE STANDARDS



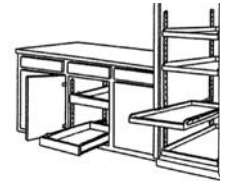
VI41
Universal
Front Standard -
No mounting Tabs

VI61F
1/8" Offset
Front Standard -
Offset Mounting
Tabs

VI61R
Universal
Rear Standard

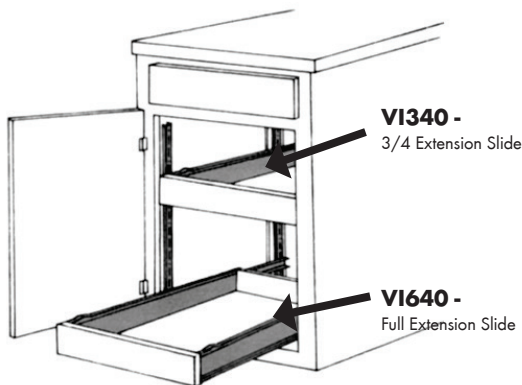
Vogt Drawer System

- Vertical 1" adjustment for max. utilization of interior cabinet space
 - VI41 universal front standard (7/16"H x 5/8"W) has no mounting tabs and can be built out based on cabinet frame
 - Other front standards feature mounting tabs for mounting onto the face frame or mount directly to the cabinet sidewall for frameless applications
 - Universal rear standard (VI61R) is mounted on the back panel of the cabinet via mounting tabs.
 - White Epoxy finish
- Packing: 10 each per box.



Sold In: Both broken and full box quantities. Discount available for full box

| VI41 | | VI61F | | VI61R | |
|--------|-----------|--------|------------|--------|------------|
| Length | Item # | Length | Item # | Length | Item # |
| 20" | VI41WH-20 | 20" | VI61FWH-20 | 20" | VI61RWH-20 |



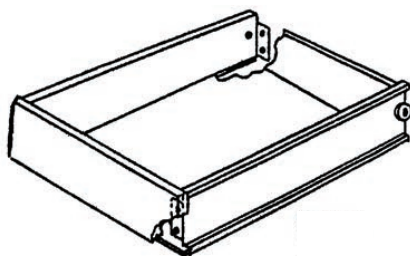
3/4 & Full Extension, Vertically Adjustable

- 75 lb. rated, used with Vogt vertical adjust standards
- Slides are Euro style with "Delrin" ball bearing rollers, providing a smooth and stable performance
- No tools are required to quickly adjust slides



Packing: Taped pairs available in complete left and right hand pairs, 10 taped pairs per box.

| Finish | Length | Taped Pairs Item # |
|------------------------------|--------|--------------------|
| 3/4 Extension Slides | | |
| White | 21" | VI340WH-21 |
| Full Extension slides | | |
| White | 21" | VI640WH-21 |



3/4 Extension Vertically Adjustable Slides With Integrated Sides



- Use with Vogt vertically adjustable standards
- Slides are 75 lb. rated and feature a roller bearing design
- Customer provides drawer back, front and bottom; this allows you to make any width tray
- Tray sides are grooved to accept 1/4" thick bottoms
- No tools are required to quickly adjust slides

Packing: Taped 10 sets per box without screws.

Sold In: Sold in both broken and full box quantities.

| Finish | Length | 2-5/8"H Drawer Side Item # |
|-------------|--------|----------------------------|
| White Epoxy | 21" | VI526WH-21 |

A
B
C
D
E
F
G
H
I
J
K
L
M
N
O
P
Q
R
S
T
U
V
W
X
Y


A
B
C
D
E
F
G
H
I
J
K
L
M
N
O
P
Q
R
S
T
U
V
W
X
Y


PILASTER SLIDE MOUNTING BRACKETS


Quicktray™ System

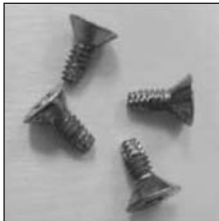


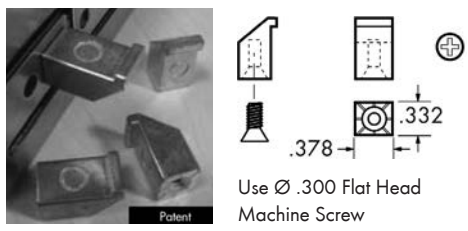
- Quicktray adjustable drawer slide mounting systems provide an easy and efficient way to provide adjustment and quick change out of interior cabinet drawer mountings
- Quicktray sets include (4) 20" long plastic pilasters, (8) hook dowels (with screws) to allow you to attach drawer slides to the pilaster
- Available in pilaster depths of 1.02", 1.275" and 2"
- Accessories sold by the bag

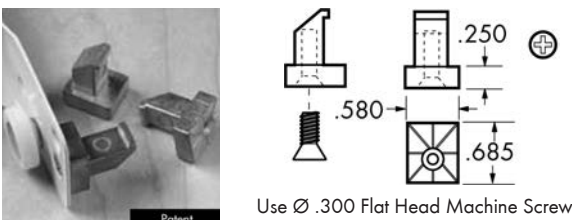
A  1.03"

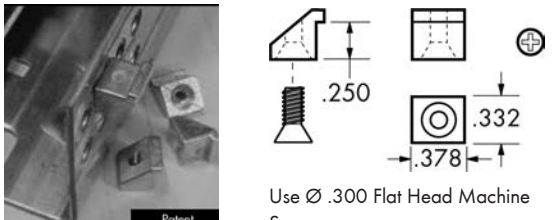
B  1.275"

C  2.00"

D 

E  Use Ø .300 Flat Head Machine Screw

F  Use Ø .300 Flat Head Machine Screw

G  Use Ø .300 Flat Head Machine Screw

| Quicktray™ | | | | |
|------------|----------------|-------------------|-------------------|-------------------|
| | Pilaster Depth | White 1 Set Item# | Beige 1 Set Item# | Cream 1 Set Item# |
| A | 1.03" | TXB-520-00 | TXB-520-01 | TXB-520-02 |
| B | 1.275" | TXB-522-00 | - | TXB-522-02 |
| C | 2" | TXB-525-00 | - | TXB-525-02 |

| Quicktray™ Accessories - Sold in Bags | | | |
|---------------------------------------|-----------|-------------------------------------|---------|
| | Item# | Description | Bag Qty |
| D | TXHAR-031 | Pilaster Mounting Screws | 200 |
| E | TXB-268 | Hook Dowels | 200 |
| F | TXB-306 | Hook Dowel w/1/4" Spacer and Screws | 200 |
| G | TXB-309 | Hook Dowel for Undermount Slides | 8 |

DRAWER BUMPERS/STOPS



Drawer Bumpers

- Attaches to side of wooden pullout. For inset pullout trays for frame or frameless cabinetry
- Protects the inside of doors from damage when pullouts are used
- Quick and easy installation



| Item# |
|---------|
| GF13096 |



Drawer Bumpers, PSA Adhered

- Protects doors from being unintentionally marred from drawer pull-outs
- Can be applied with supplied PSA backing or screwed in, or both
- Convenient to apply on the job site



| Item# | Description | Box Qty |
|----------------|-----------------------|---------|
| FADRAWERBUMPER | Drawer Bumper, White | 10 |
| FAKKMETSCR100 | 5/8" PowerHead Screws | 100 |

PROTECT DOORS FROM DRAWER SLIDE SCRATCHES



Screw-On Bumpers

- Protects surfaces from being damaged and deadens sound of closing doors and drawers
- Made from soft rubber, 7/8" dia. x 3/8"H
- 4 bumpers per pack, includes screws



| Item# | Color |
|--------|-----------|
| SD9131 | Off-White |



Inset Door Stops, Adjustable

- Constructed of soft rubber
- Door stops are .575" in diameter and .3125" tall
- Off center screw hole allows door stop to be rotated to varied distances from door



| Item# | Color | Pack Qty |
|-----------------------------|------------|----------|
| Without Screws | | |
| FAEURODOORSTOP-B | Dark Brown | 10 |
| FAEURODOORSTOP-C | Clear | 10 |
| FAEURODOORSTOP-W | White | 10 |
| With Screws | | |
| FAEURODOORSTOP-BWS | Dark Brown | 10 |
| FAEURODOORSTOP-CWS | Clear | 10 |
| FAEURODOORSTOP-WWS | White | 10 |
| Bulk, Without Screws | | |
| FAEURODSBULK-BRN | Dark Brown | 100 |
| FAEURODSBULK-CLR | Clear | 100 |
| FAEURODSBULK-WHT | White | 100 |

MAKE YOUR INSET DOORS LOOK THEIR BEST!



A
B
C
D
E
F
G
H
I
J
K
L
M
N
O
P
Q
R
S
T
U
V
W
X
Y

A FILE DRAWER FRAME SYSTEMS



Side Mount Pull-Out File Drawer Frame System



- Able to hold either letter or legal folders
- Includes side mounted full-extension ball bearing slides and door mount brackets
- Designed to fit 18" base cabinets with a 1-1/2" face frame

| Item# | Description | Dimensions |
|-------------------|--------------------------------|-------------------------|
| RSRAS-FDSM-DM15-1 | 15" W Side Mounted File Drawer | 15"W X 17.75"D X 10.5"H |

B
C
D
E
F
G
H
I
J
K
L
M
N
O
P
Q
R
S
T
U
V
W
X
Y

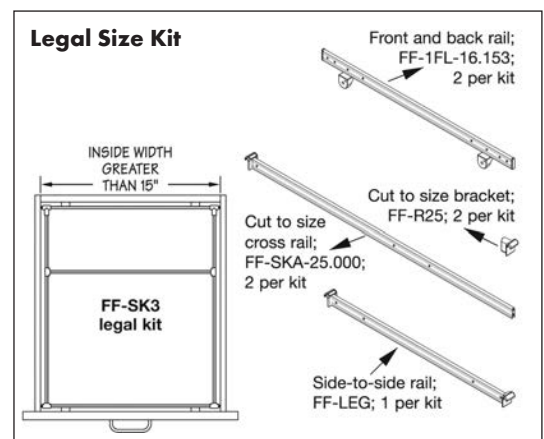
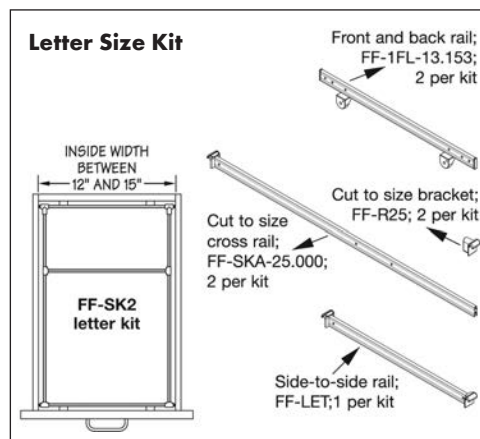


File Drawer Frame System Pendaflex Letter Size and Legal Size Kits



- Available in two sizes: legal and letter size
- The letter size kit includes: (2) 13-1/8"L front and rear rail brackets designed to screw mount into the front/back of the drawer box, (2) 25"L front to back side rails, (1) 12"L side-to-side rail and two clips designed to be used with the front-to-back side rail
- The legal size kit includes: (2) 16-1/8"L front and rear rail bracket designed to screw mount into the front/back of the cabinet, (2) 25"L front to back side rails, (1) 15"L side-to-side rail and (2) clips designed to be used with the front-to-back side rail
- Easy to install:
 - Step 1) Screw the front and rear rail brackets into the drawer box
 - Step 2) Cut to length (with a hacksaw) the side rails which snap onto the front and rear rail brackets.
 - Step 3) Snap center rail into place
- Made of metal with a black finish. Finish is guaranteed to withstand 50,000 cycles with no paint wear or other degradation

| Item# | File Drawer Type | Color |
|-----------|-------------------|-------|
| TLFFSK2 | Letter Kit System | Black |
| TLFFSK2-W | Letter Kit System | White |
| TLFFSK3 | Legal Kit System | Black |



FILE DRAWER FRAME SYSTEMS

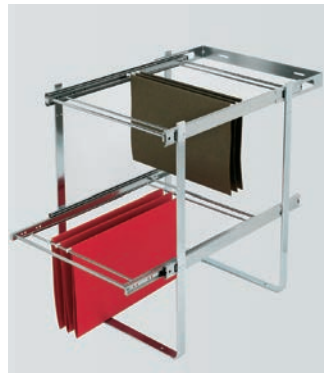


**File Drawer System
Two Tier, For 18" W Base
Cabinets**



- Full extension 100 lb. rated ball bearing slides are mounted to a heavy duty metal frame, chrome finish
- The frame has a telescoping rear bracket that allows the frame to be securely fastened to cabinets with a depth range of 19-3/4" to 24"
- Frame requires a minimum cabinet opening of 14-1/2"W x 20-1/2" H
- Door mount kits (Item#: RSRV-DM-FDKIT) are available separately

| Item# | Dimensions |
|--------------|---|
| RSRAS-FD-KIT | 14-3/4" W x 19-3/4" - 24" D x 22-5/8" H |



File Drawer Systems



- Black metal frame kit that includes:
Front-to-back/left and right frame corner connectors to secure frame to wood front and back drawer and cross T-rod
- Designed for 18" and 21" base cabinets

| Item# | Dimensions |
|---------------|---|
| RSRAS-SMFD-52 | Letter Size 13" W x 19-1/4" L x 9-3/4" H |
| RSRAS-LGFD-52 | Legal Size 15-7/8" W x 19-1/4" L x 9-3/4" H |

A
B
C
D
E
F
G
H
I
J
K
L
M
N
O
P
Q
R
S
T
U
V
W
X
Y

A
B
C
D
E
F
G
H
I
J
K
L
M
N
O
P
Q
R
S
T
U
V
W
X
Y

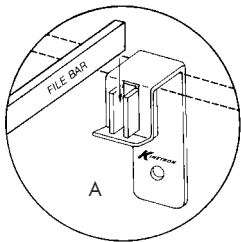
FILE DRAWER FRAME SYSTEMS

Pendaflex Brackets & Hanger Rail

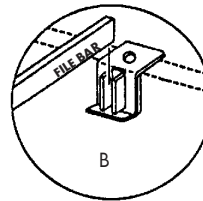


Pendaflex brackets are constructed of 16 gauge steel, are designed to affix 1/8" thick file rail and are available in four fastening varieties:

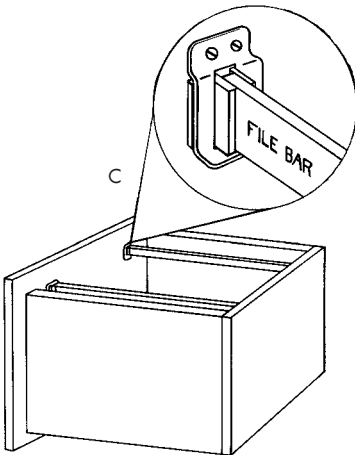
- Pendaflex hanger rail is constructed of 1/8" thick aluminum flat stock.
Available in (2) finishes: Plain Aluminum and Black and (2) heights: 1/2" and 3/4". Rail is 72" L.
- Sold in full box quantities



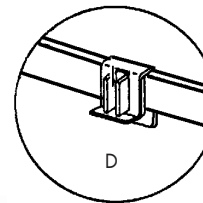
Style A - Designed to affix to the top of the drawer box side and fasten (via screw) to outside of drawer box. This brackets come in (2) finishes and (3) drawer box thicknesses.



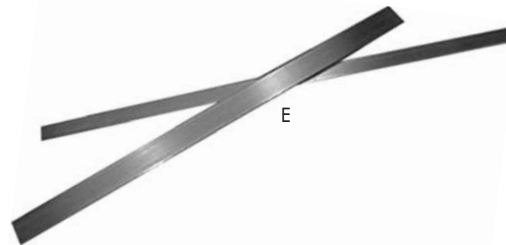
Style B - Designed to fasten to the top of the drawer box and be screwed into the top of the drawer side material.



Style C - Designed to be flush/surface mounted to interior of the drawer box side/front/back material.



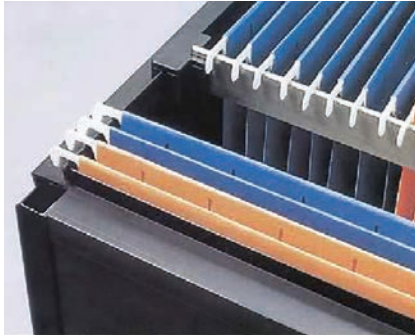
Style D - Designed to mount to 1/8" thick pendeflex rail and affix 1/8" pendeflex cross bar.



| Pendaflex Brackets | | | | | |
|--------------------|-----------------------------|-------------------|---------|--------------------|---------|
| | Bracket Style | Zinc Finish Item# | Box Qty | Black Finish Item# | Box Qty |
| A | For 1/2" Thick Drawer Sides | KT432ZC-R500 | 100 | KT432BL-R500 | 100 |
| | For 5/8" Thick Drawer Sides | KT432ZC-R625 | 100 | KT432BL-R625 | 100 |
| | For 3/4" Thick Drawer Sides | KT432ZC-R750 | 100 | KT432BL-R750 | 100 |
| B | Top Mount | KT432ZC-T | 100 | KT432BL-T | 100 |
| C | Flush Mount | KT432ZC-S | 100 | KT432BL-S | 100 |
| D | Cross Bar Mount | KT432ZC-8S | 100 | KT432BL-8S | 100 |

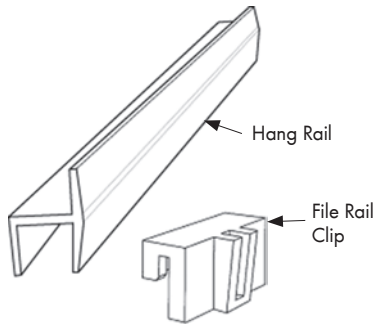
| Pendaflex Aluminum Hanger Rail - 72"L x 1/8" Thick | | | |
|--|-------------|----------------|-------------|
| | Rail Height | Aluminum Item# | Black Item# |
| E | 1/2" H Rail | EA1058A | EA1058BL |
| | 3/4" H Rail | EA2126A | EA2126BL |

HANGING FILE RAIL SYSTEMS



Plastic Rails

- Plastic hanging rail is designed to snap onto the top of 1/2" or 5/8" thick drawer sides and remain snugly in place
- Made of black plastic, available in length of 98-1/2", and is easy to cut to needed lengths
- File rail clips mount to hang rail and allow for a standard 1/8" thick bar stock to cross from drawer side-to-side
- File Hang Rails are sold by the each
- File Rail Clips are sold by the bag, 100 per bag



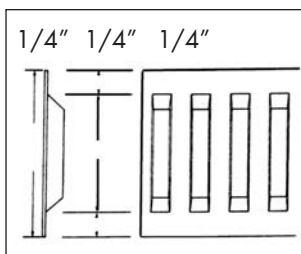
| Item# | Description | Finish |
|----------|---|--------|
| CWF32500 | 98-1/2"L Hang Rail for 1/2" thick drawer sides material | Black |
| CWF580FR | 98-1/2"L Hang Rail fo 5/8" thick drawer sides material | Black |
| CWF581FR | 98-1/2"L Hang Rail fo 5/8" thick drawer sides material | White |

| Item# | Description | Bag Qty |
|---------|----------------|---------|
| CWF900K | File Rail Clip | 100 |



Binning Strips

- A versatile plastic band strip that can be installed in drawers or even on counters, tables or in cabinets
 - Sized to accept 1/4" thick dividers
 - Strips are 2-3/4" wide x 60" long
 - The strips protrusions accept dividers 2"L, therefore strips can be trimmed down from 2-3/4" to 2"
- Packing: 10 strips per box.



| Item# | Color |
|---------|-------|
| OW282CL | Clear |
| OW282IV | Ivory |
| OW282WH | White |

A
B
C
D
E
F
G
H
I
J
K
L
M
N
O
P
Q
R
S
T
U
V
W
X
Y

DRAWER FRONT MOUNTING BRACKETS & ADJUSTERS

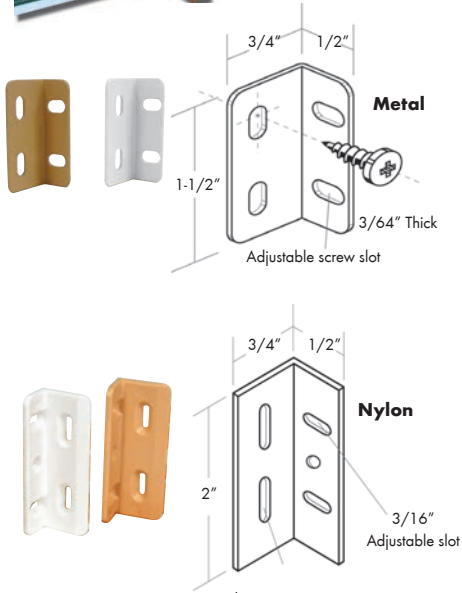


KOLBE KORNER™

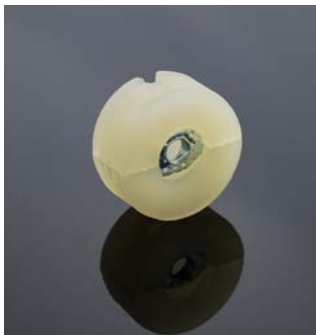
Kolbe Korner Drawer Front Mounting Brackets



- Gives you the ability to adjust drawer fronts both horizontally and vertically, no need for drawer front adjusters
- Quick and easy mounting of shaker and other style drawer fronts
- Nylon brackets include screws and covers.



| Item# | Description | Box Qty |
|------------------------------|---------------------|---------|
| Standard - 3/4" Leg | | |
| FAKK50M-WH | Metal, White | 50 |
| FAKK50M-TAN | Metal, Tan | 50 |
| FAKK50CM | Nylon, Clear Maple | 50 |
| FAKK50LM | Nylon, Light Maple | 50 |
| FAKK50WH | Nylon, White | 50 |
| Extended - 1-1/8" Leg | | |
| FAKK50M-TANLONG | Metal, Tan | 50 |
| Screw Packs | | |
| FAKK50MS-TAN | Screw & Caps, Tan | 200 |
| FAKK50MS-WH | Screw & Caps, White | 200 |



Drawer Front Adjusters



- Instead of removing the drawer repeatedly to move the adjustment screw in the slides, the adjusting is done by moving the drawer front itself
- Also allows all of the slide screws to be installed at the shop, not the job site. The fitting allows about 1/4" of movement up or down and left or right. The reverse barb design of the cam provides a tight fit and retards the chance of the cam pulling out
- Material: Nylon cam with steel threaded "floating" insert
- Specifications: 20mm diameter - The cam accepts #8 -32 thread machine screws. The length is dependent on the thickness of the sub-front and the drawer front
- Sold in full box quantities

| Item# | Description | Box Qty |
|--------|-------------|---------|
| VA20L | Adjusters | 50 |
| VA20L5 | Adjusters | 250 |
| VA20M | Adjusters | 1000 |
| VA20J | Jig | 1 |

DRAWER PUSHERS, LABEL HOLDERS & INDEX FOLLOWERS



Flexa-Touch Drawer Pushers

- “Flush” drawers can be installed with no visible hardware using this pusher
- Push drawer in 1/8” and it pops open
- Mount either on the back of the drawer or through the back of the drawer (1” hole required)
- Adjustment 7/8” with 2-1/8” minimum to 3” maximum
- Includes: Screws and instructions



| |
|--------------|
| Item# |
| PL1021 |

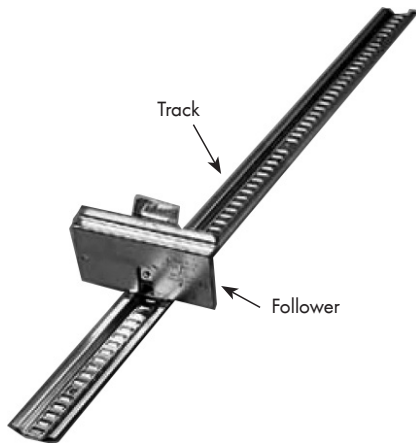


Label Holders

- Model: KV701/704
- Made of steel with anochrome finish
- Fastened by three screws per holders, screws included



| Item# | Card Size | Overall Holder Size |
|----------|-------------------|---------------------|
| KV701ANO | 2” x 1” | 2-5/8 x 1-7/16 |
| KV704ANO | 2-15/16” x 1-1/2” | 3-1/2 X 1-3/4 |



Index Followers and Tracks

- Model: KV475/476 series
- Made of steel with anochrome finish
- Used to keep papers or files to the front of a drawer
- Followers come in two sizes:
 - Small for library cards, index cards or service cards
 - Large for file drawers
- Bottom track can be surfaced or recessed mounted
- Track can be cut to length



Note: Order follower and track separately.

| Item# | Description | Follower Size |
|--------|----------------|---------------------------------------|
| KV475F | Follower Small | 4-3/4” Wide x 2-3/4” High from Track |
| KV476F | Follower Large | 10-3/4” Wide x 7-5/8” High from Track |
| KV476T | Track | Track Length 26” |

A
B
C
D
E
F
G
H
I
J
K
L
M
N
O
P
Q
R
S
T
U
V
W
X
Y

A GRASS DRAWER ACCESSORIES

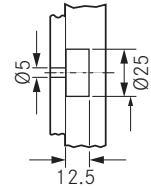


Drawer Front Adjusters

- For precise drawer front alignment
- Includes 4 x 22mm screw
- Packaged in full boxes of 200. Available any quantity



| Item # |
|-----------|
| ME25MMDFA |



B
C
D
E
F
G
H
I
J
K
L
M
N
O
P
Q
R
S
T
U
V
W
X
Y

Door Protectors for Pull-Outs



- Protects door when insets are pulled out
- Attaches to the bottom of the pull-out
- Packaged in full boxes of 100. Available any quantity.

| Item # | Description |
|-------------|-----------------------|
| GF6197-LH-W | 6197 Protector, Left |
| GF6197-RH-W | 6197 Protector, Right |

Euro Screws, Nickel-Plated



| | Item # | Description | Box Qty |
|---|-----------|------------------------------|---------|
| A | GF81015K | 13mm Euro Screw (1/2") | 500 |
| | GF83000K | 18mm Euro Screw (11/16") | 500 |
| | GF83001K | 7.5mm Euro Screw (5/16") | 500 |
| B | MEEUROSCW | Euro Screw 11mm (7/16") Pozi | 500 |

Wood Screws, Nickel-Plated



| | Item # | Description | Box Qty |
|---|---------|--------------------------------------|---------|
| A | GF81014 | Wood Screw No. 6 X 1/2" FHP, Nickel | 500 |
| | GF81001 | Wood Screw No. 6 X 5/8" FHP, Nickel | 500 |
| | GF81003 | Wood Screw No. 6 X 3/4" FHP, Nickel | 500 |
| B | GF81004 | Wood Screw No. 6 X 1" FHP, Nickel | 500 |
| | GF81007 | Wood Screw No. 10 X 3/4" PHP, Nickel | 500 |