

**SECTION C - TABLE OF CONTENTS**

**Section C Contents:**

- Blum AVENTOS Lift Systems.....2-21
- Grass KINVARO Lift Systems.....22-29
- Grass TIOMOS Flap Hinges.....30
- Salice WIND Lift Systems.....31
- Salice PACTA Hinges.....32
- Lid Supports & Stays.....33-37
- Counterbalance Lifts.....38
- Institutional Hinges.....39-42
- Continuous Piano Hinges.....43
- SOSS Invisible Hinges.....44-45
- Peter Meier 3-D Adjustable Hinges.....46
- Demountable Hinges.....47
- Face Mount Hinges.....48-49
- Full Inset Hinges.....50
- Pin/Knife Hinges.....51-52
- Pivot Hinges.....53-54
- Glass Door Hinges.....55
- Specialty Hinges.....56



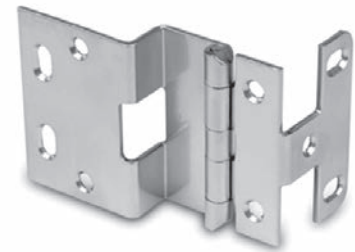
Blum AVENTOS Lift Systems, pages C-2 - C-21



Grass Kinvaro Lift Systems, pages C-22 - C-29



Lid Supports & Stays pages C-33 - C-37



↑ Institutional Hinges, pages C-39 - C-42



SOSS Invisible Hinges, pages C-44 - C-45 ↑



↑ Demountable Hinges, page C-47



↑ Face Mount Hinges, pages C-48 - C-49



↑ Pin/Knife Hinges, pages C-51 - C-52

Note: Some of the items in this section are not available in all markets. Please contact your Würth Baer Supply representative for more information.

A  
B  
C  
D  
E  
F  
G  
H  
I  
J  
K  
L  
M  
N  
O  
P  
Q  
R  
S  
T  
U  
V  
W  
X  
Y

A  
B  
C  
D  
E  
F  
G  
H  
I  
J  
K  
L  
M  
N  
O  
P  
Q  
R  
S  
T  
U  
V  
W  
X  
Y

**BLUM® AVENTOS LIFT SYSTEMS**



**AVENTOS HF - Bi-Fold Door**



- Well suited for large cabinets
- For both panel and face frame applications
- Cabinet height from 479mm (18-7/8") to 1067mm (42")
- Cabinet width from 381mm (15") to 1828mm (72")
- Interior depth minimum 278mm (10-15/16")
- Includes a finger safety feature
- Three-dimensional adjustment feature enables doors to be precisely aligned
- Closes silently and effortlessly with BLUMOTION
- Power Factor = Cabinet Height x Door Weight



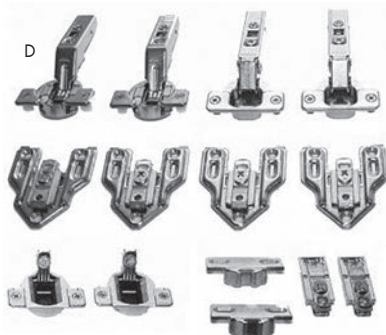
Lift Mechanism Set (Includes 2 lift mechanisms and 10 #7 x 35mm (1-3/8") wood screws)		
	Item #	Power Factor Range
A	BP20F2200N5	85 - 230 (one lift mechanism required)
	BP20F2200N5	231 - 470 (two lift mechanisms required)
	BP20F2500N5	471 - 880 (two lift mechanisms required)
	BP20F2800N5	780 - 1440 (two lift mechanisms required)
	BP20F2800N5	1401 - 2300 (three lift mechanisms required)



Cover Set (Includes right and left cover plate, and 2 non-handed cover caps)		
	Item #	Description
B	BP20F8000NA	AVENTOS HF Cover Set



Telescopic Arm Set (Includes 2 telescopic arms)		
	Item #	Cabinet Height Range
C	BP20F320001	479mm (18-7/8") - 558mm (22")
	BP20F350001	558mm (22") - 686mm (27")
	BP20F380001	686mm (27") - 889mm (35")
	BP20F390001	889mm (35") - 1067mm (42")



Wood or Wide Aluminum Door Hardware Set (Includes 2 CLIP top 120° free swing hinges, 2 COMPACT 33° free swing hinges, 2 CLIP top bottom door hinges, 2 COMPACT mounting plates, 4 face frame adapters, and 2 telescopic arm mounting plates)		
	Item #	Description
D	BP78Z5530TA8	Wood or Wide Aluminum Hardware Set



Mounting Plate with Bracket Set		
	Item #	Description
E	BP175H3F00	Right and Left Mounting Plate with Bracket

**BLUM® AVENTOS LIFT SYSTEMS**



**AVENTOS HS - Up & Over Door**

- 9 different lift mechanisms and one lever arm
- Can be used with cornice and crown mouldings
- Lift mechanisms and front fixing brackets can be used symmetrically
- For wood and aluminum face fronts
- Tool-free cross stabilizer for even greater ease of assembly

**Lift Mechanism Set** (Includes 2 lift mechanisms and 10 #7 x 35mm (1-3/8") wood screws)

	Item #	Door Weight Range	Cabinet Height
A	BP20S2A00N5	4-10 lb	14" - 20"
	BP20S2B00N5	8-20 lb	14" - 20"
	BP20S2C00N5	16-33 lb	14" - 20"
	BP20S2D00N5	6-14 lb	21" - 26"
	BP20S2E00N5	11-27 lb	21" - 26"
	BP20S2F00N5	23-41 lb	21" - 26"
	BP20S2G00N5	7-17 lb	27" - 31"
	BP20S2H00N5	14-29 lb	27" - 31"
	BP20S2I00N5	26-47 lb	27" - 31"

**Cover Set** (Includes right and left cover plate and 2 non-handed cover caps)

	Item #	Description
B	BP20F8000NA	AVENTOS HS Cover Set

**Arm Assembly Set** (Includes right and left arm assembly and 2 stabilizer rod cover caps)

	Item #	Description
C	BP20S350006	AVENTOS HS Cover Set

**Round Stabilizer Rod**

	Item #	Description
D	BP20Q1061UN	1061mm (41-3/4") aluminum rod

**Wood or Wide Aluminum Door Hardware Set**

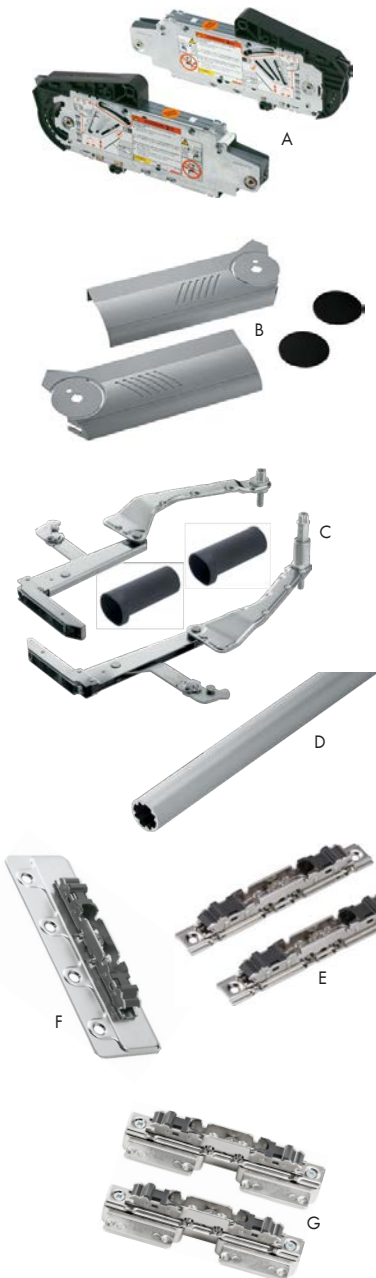
	Item #	Description
E	BP20S4200	Arm Assembly Mounting Plates (qty 2)

**Mounting Plate with Bracket Set**

	Item #	Description
F	BP20S4F01	Mounting Plate with Bracket (qty 2)

**Narrow Aluminum Door Hardware Set**  
(Includes 8 aluminum screws for lever arm mounting plate)

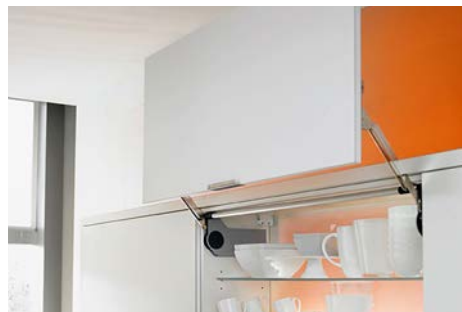
	Item #	Description
G	BP20S4200A	Narrow aluminum arm assembly plate (qty 2)



A  
B  
C  
D  
E  
F  
G  
H  
I  
J  
K  
L  
M  
N  
O  
P  
Q  
R  
S  
T  
U  
V  
W  
X  
Y

A  
B  
C  
D  
E  
F  
G  
H  
I  
J  
K  
L  
M  
N  
O  
P  
Q  
R  
S  
T  
U  
V  
W  
X  
Y

**BLUM® AVENTOS LIFT SYSTEMS**



**AVENTOS HL - Lift Up Door**



- Suited for wall cabinets and/or as an appliance garage application
- For both panel and face frame application
- Cabinet height from 300mm (11-13/16") to 580mm (22-13/16")
- Cabinet width from 381mm (15") to 1828mm (72")
- Interior cabinet depth minimum of 278mm (10-15/16")
- Closes silently and effortlessly with BLUMOTION
- Simple, virtually tool-free assembly and easy adjustment



**Lift Mechanism Set** (Includes 2 lift mechanisms and 10 #7 x 35mm (1-3/8") wood screws)

	Item #	Door Wt. Range	Cabinet Height
A	BP20L2100N5	2-8 lb	11-13/16" - 15-11/16"
	BP20L2300N5	2-13 lb	11-13/16" - 22-13/16"
	BP20L2500N5	3-25 lb	11-13/16" - 22-13/16"
	BP20L2700N5	10-44 lb	11-13/16" - 22-13/16"
	BP20L2900N5	19-44 lb	13-13/16" - 22-13/16"

**Cover Set** (Includes right and left cover plate and 2 non-handed cover caps)

	Item #	Description
B	BP20L8000N1	AVENTOS HL Cover Set

**Arm Assembly Set** (Includes right and left arm assembly and 2 stabilizer rod cover caps)

	Item #	Cabinet Height Range
C	BP20L320006	11-13/16" - 13-3/4"
	BP20L350006	13-13/16" - 15-13/16"
	BP20L380006	15-3/4" - 21-5/8"
	BP20L390006	17-11/16" - 22-13/16"

**Oval Stabilizer Rod**

	Item #	Description
D	BP20Q1061UA	1061mm (41-3/4") Aluminum Rod

**Wood or Wide Aluminum Door Hardware Set**

	Item #	Description
E	BP20S4200	Arm Assembly Mounting Plates (qty 2)

**Mounting Plate with Bracket Set**

	Item #	Description
F	BP20S4F01	Mounting Plate with Bracket (qty 2)

**Narrow Aluminum Door Hardware Set**  
(Includes 8 aluminum screws for lever arm mounting plate)

	Item #	Description
G	BP20S4200A	Narrow aluminum arm assembly plate (qty 2)



**BLUM® AVENTOS LIFT SYSTEMS**



**AVENTOS HK - Stay Lift Door**

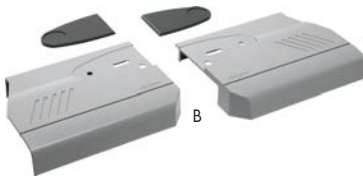


- Suited for wall cabinets and/or above a pantry or refrigerator
- Cabinet height from 300mm (11-13/16") to 610mm (24")
- Cabinet width from 381mm (15") to 1828mm (72")
- Interior cabinet depth minimum of 210mm (8-1/4")
- Closes silently and effortlessly with BLUMOTION
- Simple, virtually tool-free assembly and easy adjustment
- Power Factor = Cabinet Height x Door Weight



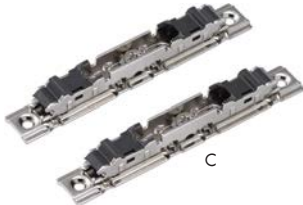
**Lift Mechanism Set** (Includes 2 lift mechanisms and 10 #7 x 35mm (1-3/8") wood screws)

	Item #	Power Factor Range	Opening Angle
A	BP20K2300N5	43 - 99	107°
	BP20K2500N5	100 - 174	107°
	BP20K2700N5	175 - 349	107°
	BP20K2900N5	350 - 792	100°



**Cover Set** (Includes right and left cover plate and 2 non-handed cover caps)

	Item #	Description
B	BP20K8000NA	AVENTOS HK Cover Set



**Wood or Wide Aluminum Door Hardware Set**

	Item #	Description
C	BP20S4200	Arm Assembly Mounting Plates (qty 2)



**Mounting Plate with Bracket Set**

	Item #	Description
D	BP20S4F01	Mounting Plate with Bracket (qty 2)



**Narrow Aluminum Door Hardware Set**  
(Includes 8 aluminum screws for lever arm mounting plate)

	Item #	Description
E	BP20S4200A	Narrow aluminum arm assembly plate (qty 2)

A  
B  
C  
D  
E  
F  
G  
H  
I  
J  
K  
L  
M  
N  
O  
P  
Q  
R  
S  
T  
U  
V  
W  
X  
Y

A  
B  
C  
D  
E  
F  
G  
H  
I  
J  
K  
L  
M  
N  
O  
P  
Q  
R  
S  
T  
U  
V  
W  
X  
Y

**BLUM AVENTOS LIFT SYSTEMS**

**AVENTOS HK TIP-ON**

TIP-ON Sets for Doors can be found on page C-11



**Lift Mechanism Sets**

- Set Includes:
  - Lift mechanism (qty 2)
  - #7 x 1-3/8" (35mm) wood screws (qty 10)
- Power Factor = Cabinet Height x Door Weight



Item #	Power Factor Range	Opening Angle
BP20K2300TNA	43 -99	107°
BP20K2500TNA	100 - 174	107°
BP20K2700TNA	175 - 349	107°
BP20K2900TNA	350 - 792	107°

**Cover Set**

- Set Includes:
  - Right and left cover plate
  - Non-handed cover cap (qty 2)



Item #
BP20K8000NA

**Wood or Wide Aluminum Door Hardware Set**

- Set Includes:
  - Arm assembly mounting plate (qty 2)



Item #
BP20S4200

**Narrow Aluminum Door Hardware Set**

- Set Includes:
  - Arm assembly mounting plates (qty 2)
  - Aluminum screws for narrow aluminum lever arm mounting plates (qty 8)



Item #
BP20S4200A

**BLUM® AVENTOS LIFT SYSTEMS**



**AVENTOS HK-S - Stay Lift Door**

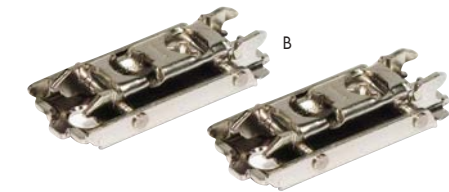


- Suited for small wall cabinets and/or above a pantry or refrigerator
- For both panel and face frame applications
- Cabinet height from 186mm (7-3/8") to 610mm (24")
- Cabinet width from 381mm (15") to 1828mm (72")
- Interior cabinet depth minimum of 165mm (6-1/2")
- Closes silently and effortlessly with BLUMOTION
- Simple, virtually tool-free assembly and easy adjustment
- Power Factor = Cabinet Height x Door Weight



**Lift Mechanism Set** (Includes 2 lift mechanisms and 10 #7 x 35mm (1-3/8") wood screws)

	Item #	Power Factor Range	Opening Angle
A	BP20K2B00N1	19 - 39	107°
	BP20K2C00N1	40 - 85	107°
	BP20K2E00N1	86 - 177	107°



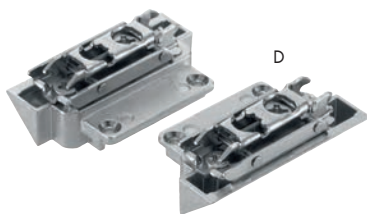
**Wood or Wide Aluminum Door Hardware Set**

	Item #	Description
B	BP175H3100HKS-SET	Arm Assembly Mounting Plates (qty 2)



**Mounting Plate with Bracket Set**

	Item #	Description
C	BP175H3F00	Right and Left Mounting Plate with Bracket



**Narrow Aluminum Door Hardware Set**  
(Includes 8 aluminum screws for lever arm mounting plate)

	Item #	Description
D	BP20K4A00A02	Narrow aluminum arm assembly plate (qty 2)

A  
B  
C  
D  
E  
F  
G  
H  
I  
J  
K  
L  
M  
N  
O  
P  
Q  
R  
S  
T  
U  
V  
W  
X  
Y

A  
B  
C  
D  
E  
F  
G  
H  
I  
J  
K  
L  
M  
N  
O  
P  
Q  
R  
S  
T  
U  
V  
W  
X  
Y

## BLUM AVENTOS LIFT SYSTEMS



### AVENTOS HK-S TIP-ON

TIP-ON Sets for Doors can be found on page C-11



#### Lift Mechanism Sets

- Set Includes:
  - Lift mechanism (qty 2)
  - #7 x 1-3/8" (35mm) wood screws (qty 10)
- Power Factor = Cabinet Height x Door Weight

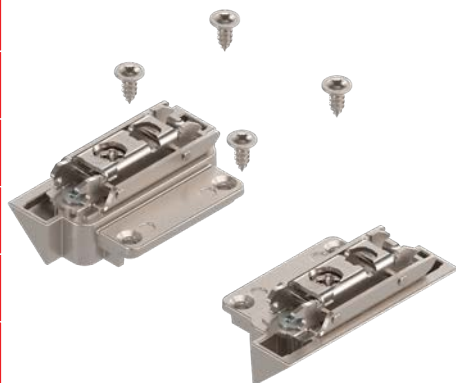
Item #	Power Factor Range	Opening Angle
BP20K2B00TNA	19 - 39	107°
BP20K2C00TNA	40 - 85	107°
BP20K2E00TNA	83 - 177	107°



#### Wood or Wide Aluminum Door Hardware Set

- Set Includes:
  - Arm assembly mounting plate (qty 2)

Item #
BP175H3100



#### Narrow Aluminum Door Hardware Set

- Set Includes:
  - Arm assembly mounting plates (qty 2)
  - Aluminum screws for narrow aluminum lever arm mounting plates (qty 8)

Item #
BP20K4A00A02



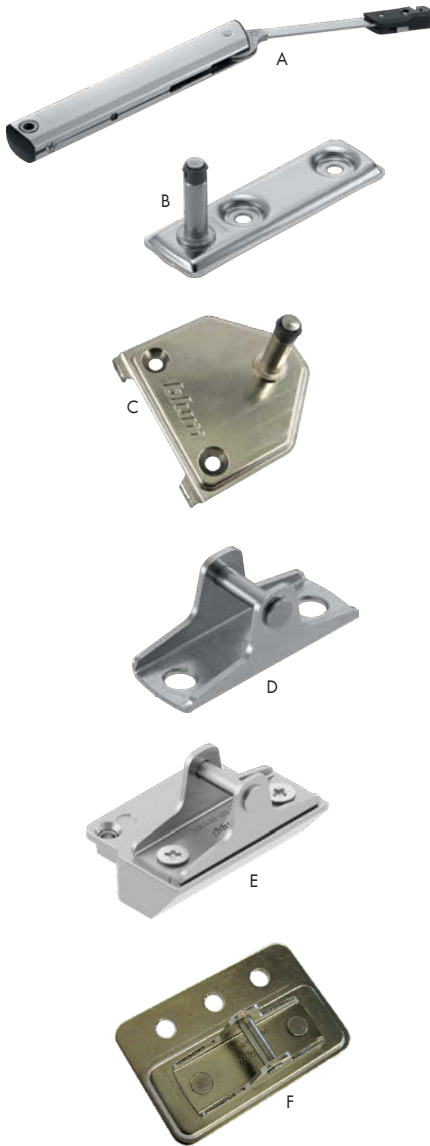
**BLUM® AVENTOS LIFT SYSTEMS**



**AVENTOS HK-XS - Stay Lift Door**



- Suited for small wall cabinets and/or above a pantry or refrigerator
- For both panel and face frame applications
- Cabinet height from 186mm (7-3/8") to 610mm (24")
- Cabinet width from 381mm (15") to 1828mm (72")
- Interior cabinet depth minimum of 165mm (6-1/2")
- Closes silently and effortlessly with BLUMOTION
- Simple, virtually tool-free assembly and easy adjustment
- Power Factor = Cabinet Height x Door Weight



Lift Mechanisms			
	Item #	Power Factor Range (1 Lift)	Power Factor Range (2 Lifts)
A	BP20K1101	17 - 60	34 - 120
	BP20K1301	61 - 112	121 - 224
	BP20K1501	113 - 156	225 - 312

Cabinet Mounting Plates		
	Item #	Description
B	BP20K5101	Screw-on (Panel Application)
	BP20K51E1	EXPANDO (Panel Application)
C	BP20K5501	Screw-on (Faceframe Application)

Door Mounting Plates		
	Item #	Description
D	BP20K4101	Screw-on
E	BP20K4101A	Screw-on (Narrow aluminum frame doors)
F	BP20K4501	Screw-on (Large overlay five-piece doors)

A  
B  
C  
D  
E  
F  
G  
H  
I  
J  
K  
L  
M  
N  
O  
P  
Q  
R  
S  
T  
U  
V  
W  
X  
Y

A  
B  
C  
D  
E  
F  
G  
H  
I  
J  
K  
L  
M  
N  
O  
P  
Q  
R  
S  
T  
U  
V  
W  
X  
Y

**BLUM AVENTOS LIFT SYSTEMS**



**AVENTOS HK-XS TIP-ON**

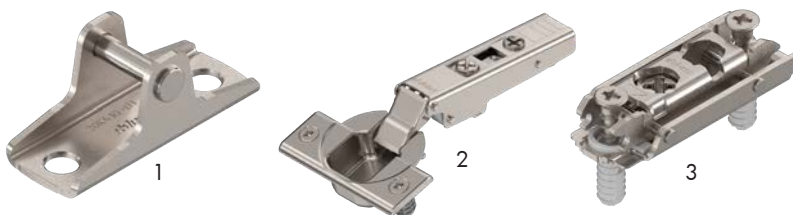
- TIP-ON Sets for Doors can be found on page C-11
- Power Factor = Cabinet Height x Door Weight



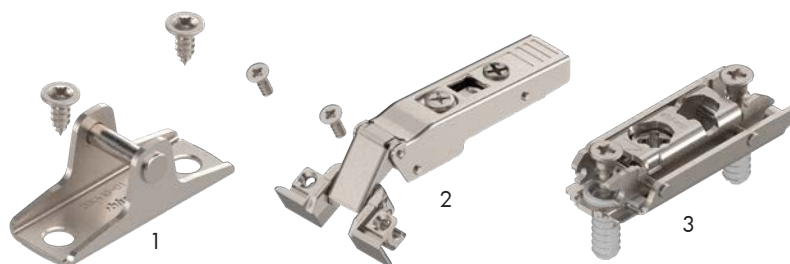
Lift Mechanisms		
Item #	Power Factor Range (1 lift)	Power Factor Range (2 lifts)
BP20K1101T	17 - 60	34 - 120
BP20K1301T	41 - 112	121 - 224
BP20K1501T	113 - 156	225 - 312



Cabinet Mounting Plates	
Item #	Description
BP20K5101	Screw-On
BP20K51E1	EXPANDO



Wood and Wide Aluminum Door Hardware		
	Item #	Description
1	BP20K4101	Door Mounting Plate
2	BP70T3580TL	CLIP top 110° Free Swing Dowelled Hinge
3	BP177H3100E	EXPANDO Mounting Plate



Wood and Wide Aluminum Door Hardware		
	Item #	Description
1	BP20K4101A	Door Mounting Plate
2	BP72T550ATL	CLIP top 110° Free Swing Dowelled Hinge
3	BP177H3100E	EXPANDO Mounting Plate

**BLUM AVENTOS ACCESSORIES**



**TIP-ON Set for Standard Door**



- Nylon unit with magnetic tip
- Adjustment range +4mm to -1 mm
- For use with Blum Euro free swing hinges
- For door heights less than 48"
- Works for both overlay and inset applications
- Can be bored into the panel or used with an adapter plate
- Set includes: TIP-ON unit, self-adhesive catch plate, screw-on catch plate, and wood screw

Item #	Finish
BP9561004	Gray
BP9561004-BL	Black
BP9561004-WH	White



**TIP-ON Set for Large Door**

- Nylon unit with magnetic tip
- Adjustment range +4mm to -1 mm
- For use with Blum Euro free swing hinges
- For door heights greater than 48"
- Works for both overlay and inset applications
- Can be bored into the panel or used with an adapter plate
- Set includes: TIP-ON unit, self-adhesive catch plate, screw-on catch plate, and wood screw

Item #	Finish
BP956A1004	Gray
BP956A1004-BL	Black
BP956A1004-WH	White

A  
B  
C  
D  
E  
F  
G  
H  
I  
J  
K  
L  
M  
N  
O  
P  
Q  
R  
S  
T  
U  
V  
W  
X  
Y

A  
B  
C  
D  
E  
F  
G  
H  
I  
J  
K  
L  
M  
N  
O  
P  
Q  
R  
S  
T  
U  
V  
W  
X  
Y

**BLUM AVENTOS ACCESSORIES**

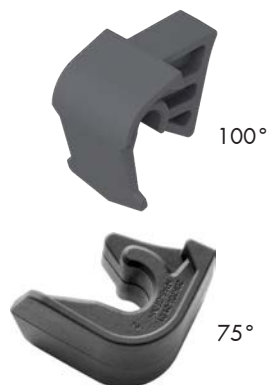


**AVENTOS HF Angle Restriction Clips**



- Restricts opening angle of the door
- Prevents the door from hitting an object above or keeps the handle within reach on high cabinets
- One required per lift mechanism
- Must be installed prior to the reference run in SERVO-DRIVE applications

Item #	Description
BP20F7051	104° Restriction Clip
BP20F7011	83° Restriction Clip



**AVENTOS HK Angle Restriction Clips**

- Restricts opening angle of the door
- Prevents the door from hitting an object above or keeps the handle within reach on high cabinets
- One required per lift mechanism
- Must be installed prior to the reference run in SERVO-DRIVE applications

Item #	Description
BP20K7041	100° Restriction Clip
BP20K7011	75° Restriction Clip



**AVENTOS HK-S Angle Restriction Clips**

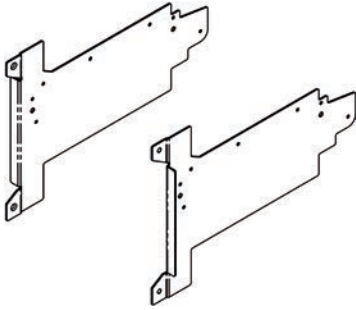
- Restricts opening angle of the door
- Prevents the door from hitting an object above or keeps the handle within reach on high cabinets
- One required per lift mechanism

Item #	Description
BP20K7A41	100° Restriction Clip
BP20K7A11	75° Restriction Clip

**BLUM AVENTOS ACCESSORIES**

**AVENTOS Face Frame Mounting Brackets**

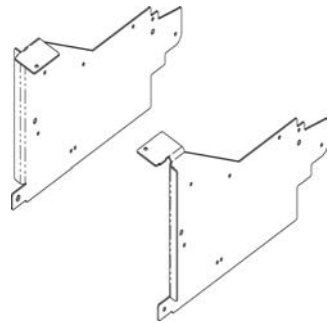
- Provides a fast and easy way to install AVENTOS in face frame cabinets without the need to block out
- Provides an accurate mounting location in the cabinet for the lift mechanism to simply mount to the bracket with the supplied mounting screws



**AVENTOS HF Face Frame Mounting Bracket Set**

- Brackets for mounting AVENTOS HF in face frame cabinets
- Minimum recess of 1/2" (12.5mm)
- Set Includes:
  - Right and left brackets
  - M4 x 30mm lift mounting screws (qty 12)

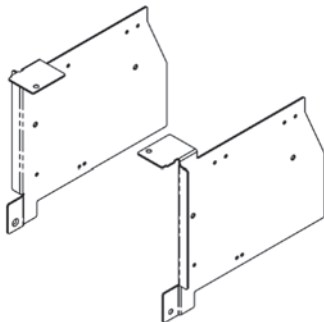
<b>Item #</b>
BP20F6001



**AVENTOS HL Face Frame Mounting Bracket Set**

- Brackets for mounting AVENTOS HL in face frame cabinets
- Minimum recess of 9/19" (15.5mm)
- Set Includes:
  - Right and left brackets
  - M4 x 30mm lift mounting screws (qty 12)

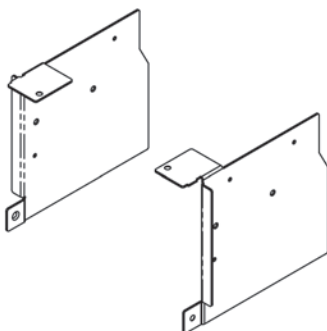
<b>Item #</b>
BP20L6001



**AVENTOS HK Face Frame Mounting Bracket Set**

- Brackets for mounting AVENTOS HK in face frame cabinets
- Minimum recess of 1/2" (12.5mm)
- Set Includes:
  - Right and left brackets
  - M4 x 30mm lift mounting screws (qty 12)

<b>Item #</b>
BP20K6001



**AVENTOS HK-S Face Frame Mounting Bracket Set**

- Brackets for mounting AVENTOS HK-S in face frame cabinets
- Minimum recess of 1/2" (12.5mm)
- Set Includes:
  - Right and left brackets
  - M4 x 30mm lift mounting screws (qty 12)

<b>Item #</b>
BP20K6A01

A  
B  
C  
D  
E  
F  
G  
H  
I  
J  
K  
L  
M  
N  
O  
P  
Q  
R  
S  
T  
U  
V  
W  
X  
Y



**A BLUM AVENTOS ACCESSORIES**

B  
C  
D  
E  
F  
G  
H  
I  
J  
K  
L  
M  
N  
O  
P  
Q  
R  
S  
T  
U  
V  
W  
X  
Y



1



2

**AVENTOS Stabilizer Rod Connector Sets**



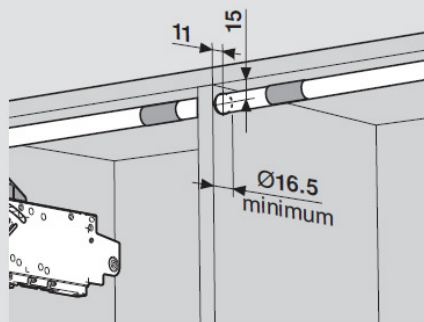
- Set Includes:
  - Connector rod
  - Oval cover cap (qty 2)
  - Top mounting hook
- Cut rods to inside cabinet width divided by 2 minus 5-13/16" (147mm) for SERVO-DRIVE minus 6-1/2" (165mm)
- Note: Cabinets wider than 46.5" require rod connector set.

	Item #	Description
1	BP20Q153ZA	AVENTOS HL Rod Connector Set
2	BP20Q153ZN	AVENTOS HS Rod Connector Set

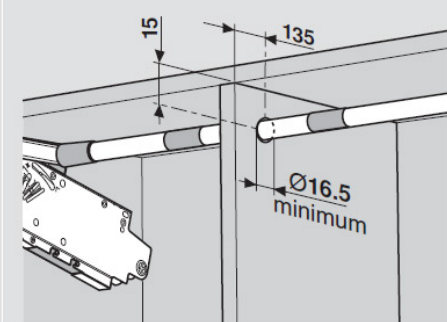
**Mounting through a center panel**



**AVENTOS HL**



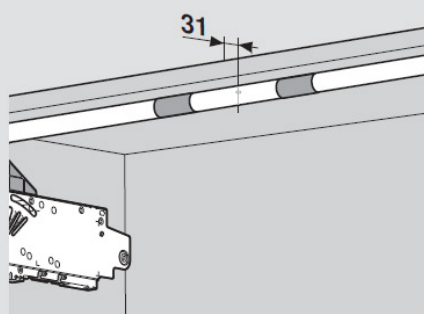
**AVENTOS HS**



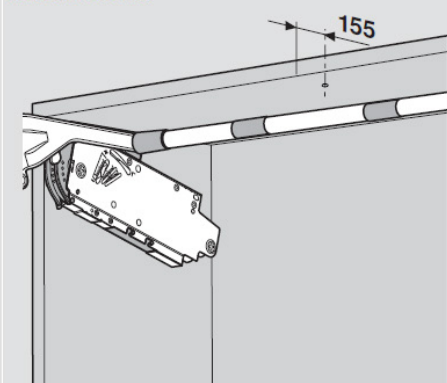
**Mounting without a center panel**



**AVENTOS HL**



**AVENTOS HS**



**BLUM SERVO-DRIVE FOR AVENTOS**

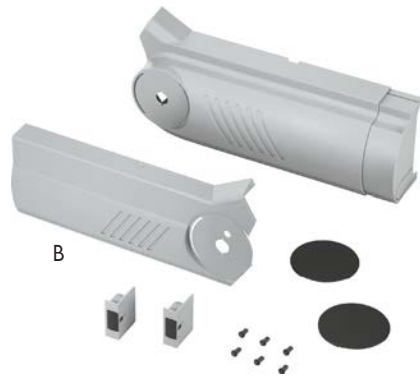
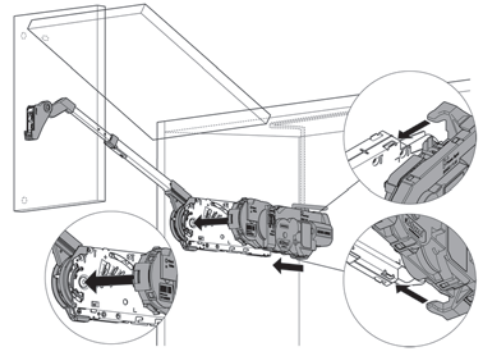
**AVENTOS HF SERVO-DRIVE Set**



A) Set Includes:

- Drive unit
- 60" universal cable
- Cable connector
- Cable end protector (qty 2)

<b>Item #</b>
BP21FA000

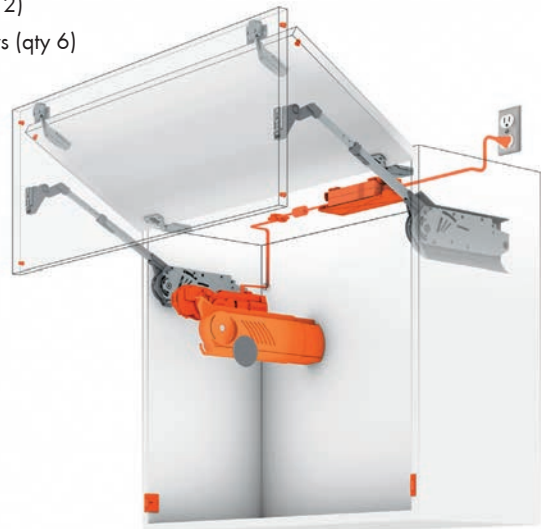


**AVENTOS HF Cover Set**

B) Set Includes:

- SERVO-DRIVE cover plate (left)
- Cover plate (right)
- Non-handed cover caps (qty 2)
- SERVO-DRIVE switches (qty 2)
- 5mm Blum distance bumpers (qty 6)

<b>Item #</b>
BP21F8000NA

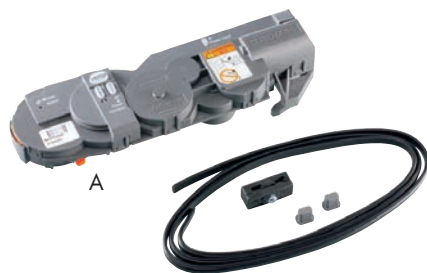


**POWER SUPPLY OPTIONS ON PAGE C-19**

A  
B  
C  
D  
E  
F  
G  
H  
I  
J  
K  
L  
M  
N  
O  
P  
Q  
R  
S  
T  
U  
V  
W  
X  
Y

**A BLUM SERVO-DRIVE FOR AVENTOS**

A  
B  
C  
D  
E  
F  
G  
H  
I  
J  
K  
L  
M  
N  
O  
P  
Q  
R  
S  
T  
U  
V  
W  
X  
Y



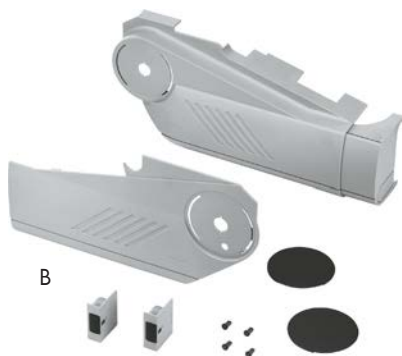
**AVENTOS HS SERVO-DRIVE Set**

A) Set Includes:

- Drive unit
- 60" universal cable
- Cable connector
- Cable end protector (qty 2)



<b>Item #</b>
BP21FA000



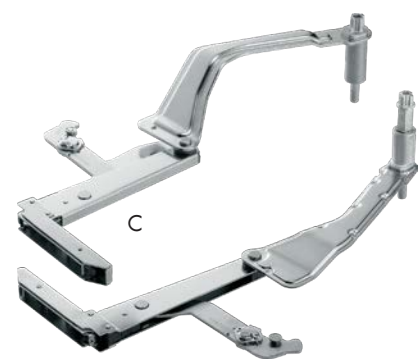
**AVENTOS HS Cover Set**

B) Set Includes:

- SERVO-DRIVE cover plate (left)
- Cover plate (right)
- Non-handed cover caps (qty 2)
- SERVO-DRIVE switches (qty 2)
- 5mm Blum distance bumpers (qty 4)



<b>Item #</b>
BP21S8000NA



**AVENTOS HS Arm Assembly Set**

C) Set Includes:

- SERVO-DRIVE arm assembly (left)
- Standard arm assembly (right)
- Stabilizer rod cover cap (qty 2)

Note: Stabilizer rod cutting dimension for SERVO-DRIVE application is length = interior cabinet width minus 6-7/16" (164mm)

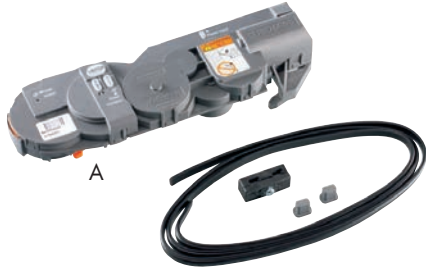
<b>Item #</b>
BP21S350001

**POWER SUPPLY OPTIONS ON PAGE C-19**

**BLUM SERVO-DRIVE FOR AVENTOS**



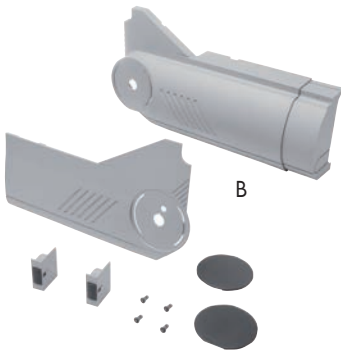
**AVENTOS HL SERVO-DRIVE Set**



- A) Set Includes:
- Drive unit
  - 60" universal cable
  - Cable connector
  - Cable end protector (qty 2)

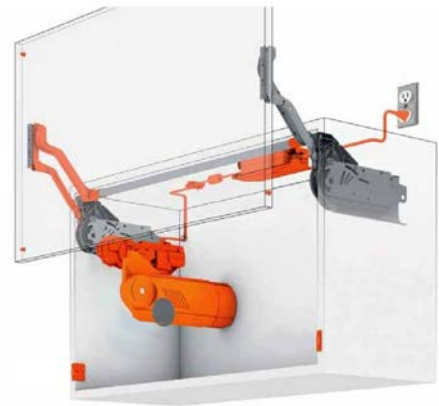
<b>Item #</b>
BP21FA000

**AVENTOS HL Cover Set**



- B) Set Includes:
- SERVO-DRIVE cover plate (left)
  - Cover plate (right)
  - Non-handed cover caps (qty 2)
  - SERVO-DRIVE switches (qty 2)
  - 5mm Blum distance bumpers (qty 4)

<b>Item #</b>
BP21L8000NA



**AVENTOS HL Arm Assembly Set**



- C) Set Includes:
- SERVO-DRIVE arm assembly (left)
  - Standard arm assembly (right)
  - Stabilizer rod cover cap (qty 2)

Note: Stabilizer rod cutting dimension for SERVO-DRIVE application is length = interior cabinet width minus 6-7/16" (164mm)

Item #	Cabinet Height
BP21L320001	300mm to 349mm
BP21L350001	350mm to 399mm
BP21L380001	400mm to 550mm
BP21L390001	450mm to 580mm

**POWER SUPPLY OPTIONS ON PAGE C-19**

A  
B  
C  
D  
E  
F  
G  
H  
I  
J  
K  
L  
M  
N  
O  
P  
Q  
R  
S  
T  
U  
V  
W  
X  
Y

**A BLUM SERVO-DRIVE FOR AVENTOS**

B  
C  
D  
E  
F  
G  
H  
I  
J  
K  
L  
M  
N  
O  
P  
Q  
R  
S  
T  
U  
V  
W  
X  
Y



**AVENTOS HK SERVO-DRIVE Set**

A) Set Includes:

- Drive unit
- 60" universal cable
- Cable connector
- Cable end protector (qty 2)



<b>Item #</b>
BP21KA000



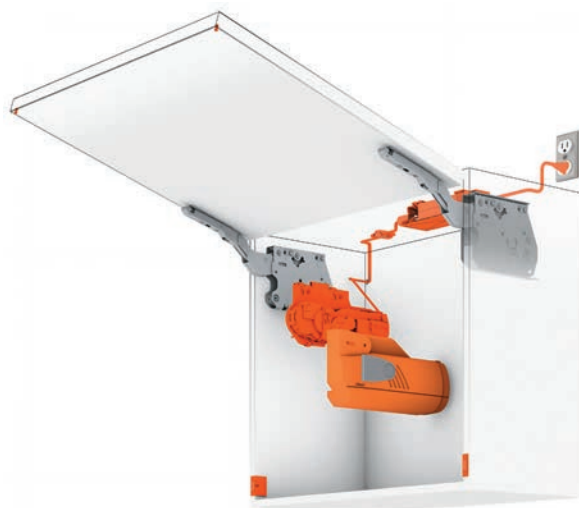
**AVENTOS HK Cover Set**

B) Set Includes:

- SERVO-DRIVE cover plate (left)
- Cover plate (right)
- Non-handed cover caps (qty 2)
- SERVO-DRIVE switches (qty 2)
- 5mm Blum distance bumpers (qty 4)



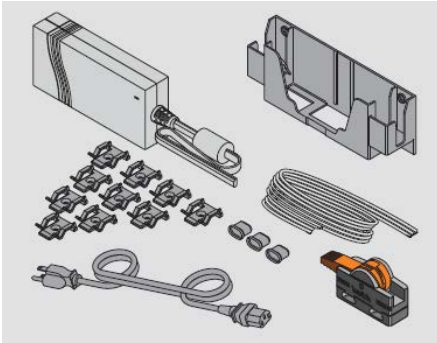
<b>Item #</b>
BP21K8000NA



**POWER SUPPLY OPTIONS ON PAGE C-19**



**BLUM SERVO-DRIVE FOR AVENTOS ELECTRICAL COMPONENTS**



**Power Supply Set**

- Set Includes:
  - Power supply
  - Wall mount bracket
  - Three-prong power cord
  - Cable connector
  - Cable end protector (qty 3)
  - Cable clips (qty 10)
  - 19 feet universal cable



<b>Item #</b>
BPZ10NE03UG10

A  
B  
C  
D  
E  
F  
G  
H  
I  
J  
K  
L  
M  
N  
O  
P  
Q  
R  
S  
T  
U  
V  
W  
X  
Y



**SERVO-DRIVE Power Supply Components**

- Supplies power for up to 16 drive units
- Energy Star Level VI
- UL certified
- Connect to switched GFCI outlet
- Cable length is six feet
- Three-prong power cord required



Item #	Description
BPZ10NE030G	Power Supply
BPZ10M200U	Three-prong Power Cord



**SERVO-DRIVE uno Power Supply**

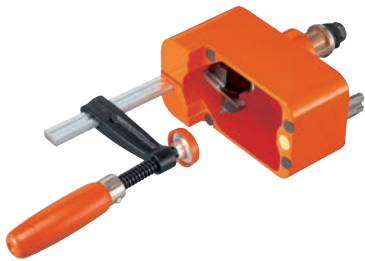
- Supplies power to a single drive unit
- 44" power cord
- Extendable up to 6 feet using cable connectors (sold separately)



<b>Item #</b>
BPZ10NA30UGF

A  
B  
C  
D  
E  
F  
G  
H  
I  
J  
K  
L  
M  
N  
O  
P  
Q  
R  
S  
T  
U  
V  
W  
X  
Y

**BLUM AVENTOS ASSEMBLY AIDS**



**SERVO-DRIVE Switch Boring Template**

- For easy installation of SERVO-DRIVE for AVENTOS switch
- Clamp assembly for secure boring
- Set Includes:
  - 35mm bit
  - Torx driver bit (qty 2)



<b>Item #</b>
BPM312000



**PLATEMATE**

- Boring template for all Blum face frame adapter plates
- Clamps to the frame with cam lever
- Adjustment knob accomodates face frame thickness of 5/8" to 1"
- Spacer screws allow quick use without measuring
- Set Includes:
  - 1) PLATEMATE Template
  - 2) 2.5mm Pilot Bit and Extension
  - 3) 5mm Stop Collar



<b>Item #</b>
BP65503001



**POZI DRIVER and Bits**

Item #	Description	Box Qty
BPPOZIDRIVER	#2 POZI DRIVER	20
BPBLUMBITHOLDER	1/4" Magnetic Bit Holder	1
BPPOZIBIT	#2 x 1" POZI Bit Insert	1

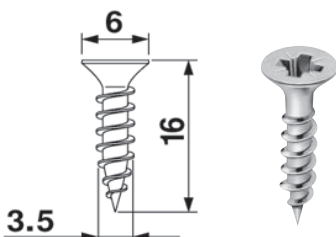


**3mm Vix Bit**

- For use in handheld drills



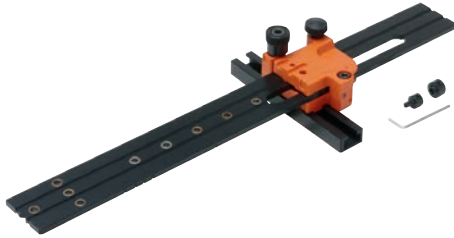
<b>Item #</b>
BPVPB5



Screws		
Item #	Description	Box Qty
BP606N100	#6 x 5/8", #2 Phillips Wood Screw	100
BP606N1000	#6 x 5/8", #2 Phillips Wood Screw	1000
BP606P1000	#6 x 5/8", #2 POZI Wood Screw	1000
BP7072A100	#7 x 13mm Fine Thread Aluminum Screw for AVENTOS	100



**BLUM AVENTOS ASSEMBLY AIDS**

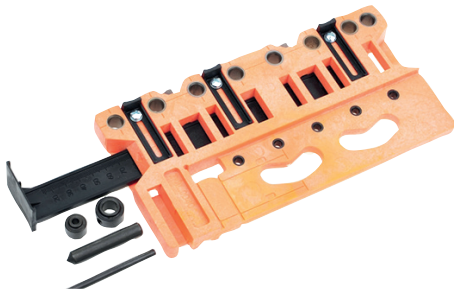


**Universal Individual Template**

- Used for pre-boring holes for LEGRABOX, TANDEMBOX, and TANDEM drawer runners
- Can also be used to pre-bore for AVENTOS locating pins and pre-boring for hinge mounting plates
- Calibrated scales for accurate setting
- Set includes: Universal individual template, 2.5mm and 5mm stop collars, allen wrench



<b>Item #</b>
BP65105102

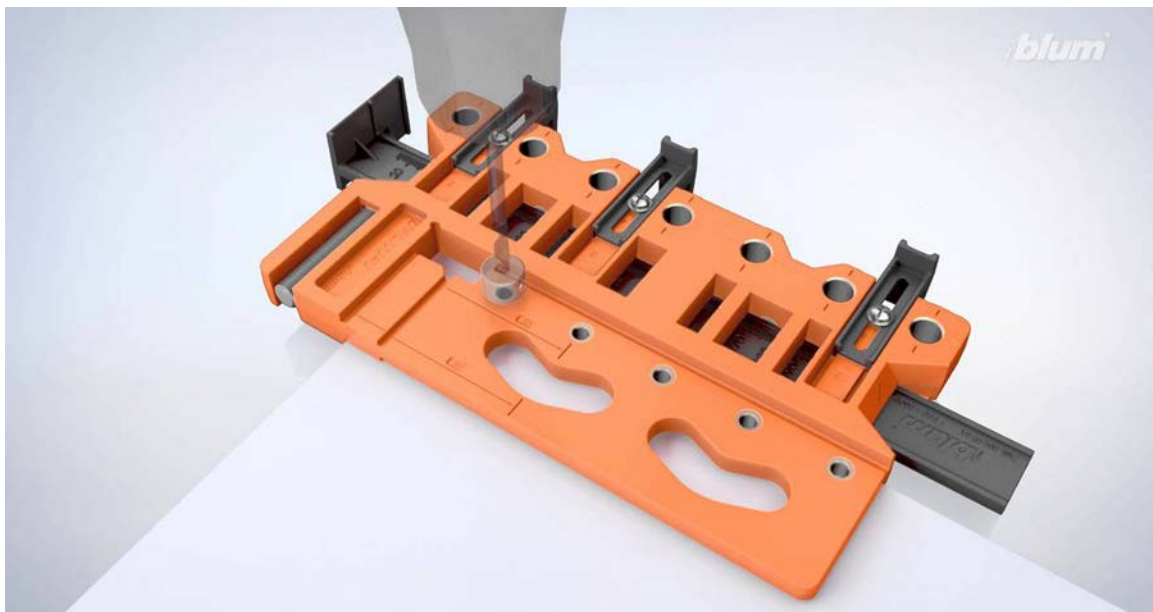


**Universal Boring Template**

- Used for boring drawer fronts and located all fixing positions
- Used to pre-bore for drawer fronts, bottoms and backs for LEGRABOX, TANDEMBOX, METABOX drawer systems, and AVENTOS mounting plates
- Set includes
  - 1) Template
  - 2) 5mm marking pin
  - 3) 10mm marking pin
  - 4) 5mm stop collar
  - 5) 10mm stop collar



<b>Item #</b>
BPZML004001



A  
B  
C  
D  
E  
F  
G  
H  
I  
J  
K  
L  
M  
N  
O  
P  
Q  
R  
S  
T  
U  
V  
W  
X  
Y

**GRASS KINVARO LIFTER SYSTEMS**



**Kinvaro F-20 Bi-Fold Lifter**



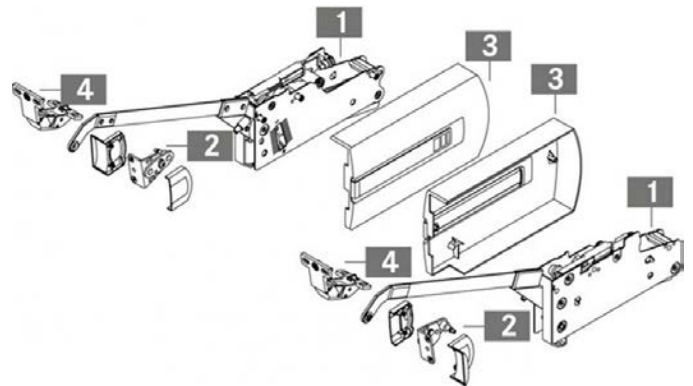
- Holds flap securely in any position
- Adjustable spring force
- Integrated adjustable closing damper
- Flap with 3-dimensional adjustment - height, side, angle: Direct adjustment  $\pm 1.5$  mm
- Hinge with 3-dimensional adjustment - height, side, and depth
- Opening limiter adjustable to  $90^\circ$
- Wide range of applications for many different flap materials
- Face Frame adapter available
- Weight 9.7 to 42.3 lbs.
- Range of flaps:  
Width: 15-3/4" - 47-1/4" (400mm - 1200mm)  
Height: 22-1/16" - 35-7/16" (560mm - 900mm)
- Cover caps in grey

Item #	Cabinet Height Range	Door Weight Range
<b>Spring B</b>		
GFF152145238201	22-1/16" - 23-19/32" (560mm - 599mm)	9.7 - 27.8 lbs
<b>Spring C</b>		
GFF152145241201	23-5/8" - 25-9/16" (600mm - 649mm)	15.0 - 34.8 lbs
GFF152145243201	25-19/32" - 27-17/32" (650mm - 699mm)	14.8 - 37.3 lbs
GFF152145244201	27-9/16" - 29-1/2" (700mm - 749mm)	14.3 - 36.2 lbs
<b>Spring D</b>		
GFF152145247201	29-17/32" - 35-7/16" (750mm - 900mm)	14.3 - 42.3 lbs

Frame Adapters	
Item #	Description
GFF151135906201	Face frame adapter (2x) for wood frames with fixing screws (8x)

**Kinvaro F-20 Set includes:**

1. Fitting, right and left (1)
  2. Screw-on bracket for wood, includes (2) cover caps
  3. Cover caps on right and left (1)
  4. Break away center hinges (2)
- Also includes (1) paper template, (1) installation instructions



**GRASS KINVARO LIFTER SYSTEMS**



**Kinvaro L-80 Parallel Lifter**

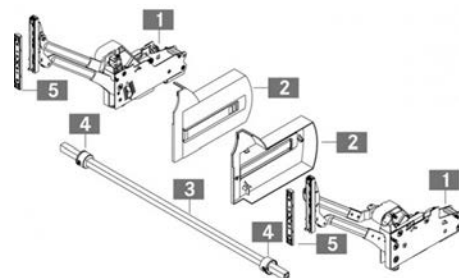


- Holds flap securely in any position
- Adjustable spring force
- Integrated adjustable closing damper
- Flap with 3-dimensional adjustment – height, side, angle: Direct adjustment ±1.5 mm
- Wide range of applications for many different flap materials
- Face Frame adapter available
- Weight 4 to 32 lbs.
- Range of flaps:  
Width: 17-23/32" - 47-1/4" (450mm - 1200mm)  
Height: 13-25/32" - 23-5/8" (350mm - 600mm)
- Cover caps in grey

Item #	Cabinet Height Range	Door Weight Range
<b>Spring A</b>		
GFF152145248201	13-25/32" - 14-17/32" (350mm - 369mm)	5.5 - 14.3 lbs
GFF152147440201	14-9/16" - 15-5/16" (370mm - 389mm)	5.1 - 13.2 lbs
GFF152147441201	15-11/32" - 16-3/32" (390mm - 409mm)	4.6 - 12.1 lbs
GFF152147442201	16-1/8" - 16-7/8" (410mm - 429mm)	4.2 - 11.0 lbs
GFF152147443201	16-15/16" - 23-5/8" (430mm - 600mm)	4.4 - 9.9 lbs
<b>Spring B</b>		
GFF152147444201	13-25/32" - 14-17/32" (350mm - 369mm)	13.2 - 20.9 lbs
GFF152145249201	14-9/16" - 15-5/16" (370mm - 389mm)	12.1 - 19.8 lbs
GFF152145251201	15-11/32" - 16-3/32" (390mm - 409mm)	11.0 - 18.7 lbs
GFF152145281201	16-1/8" - 16-7/8" (410mm - 429mm)	9.9 - 17.6 lbs
GFF152145253201	16-15/16" - 23-5/8" (430mm - 600mm)	8.8 - 16.5 lbs
<b>Spring C</b>		
GFF152145250201	14-9/16" - 15-5/16" (370mm - 389mm)	18.7 - 21.2 lbs
GFF152145252201	15-11/32" - 16-3/32" (390mm - 409mm)	17.6 - 22.3 lbs
GFF152145282201	16-1/8" - 16-7/8" (410mm - 429mm)	16.5 - 32.2lbs
GFF152145254201	16-15/16" - 23-5/8" (430mm - 600mm)	15.4 - 32.2 lbs

<b>Frame Adapters</b>	
Item #	Description
GFF151135906201	Face frame adapter (2x) for wood frames with fixing screws (8x)

- Kinvaro L-80 Set includes:**
1. Fitting, right and left (1)
  2. Cover caps on right and left (1)
  3. 1090mm cross bar for cutting to length (1)
  4. Sliding sleeves (2)
  5. Mounting plates (2)
- Also includes paper template (1) and installation instructions (1)



A  
B  
C  
D  
E  
F  
G  
H  
I  
J  
K  
L  
M  
N  
O  
P  
Q  
R  
S  
T  
U  
V  
W  
X  
Y



A  
B  
C  
D  
E  
F  
G  
H  
I  
J  
K  
L  
M  
N  
O  
P  
Q  
R  
S  
T  
U  
V  
W  
X  
Y

## GRASS KINVARO LIFTER SYSTEMS



### Kinvaro T-65 Lift-Up Flap Fitting



- Variable opening angle - holds flap securely at any angle between 45° and 100°
- Adjustable spring force
- Integrated adjustable closing damper
- Adjustable flap height ±3.0 mm
- No hinges fitted to the top panel
- Allows additional cabinet installation above
- Can be used for wooden flaps or aluminum frames with glass insert
- Face frame adapter available
- Weight 1.5 to 16.3 lbs.
- Range of Flaps:

Width: Up to 47-1/4" (1200mm)

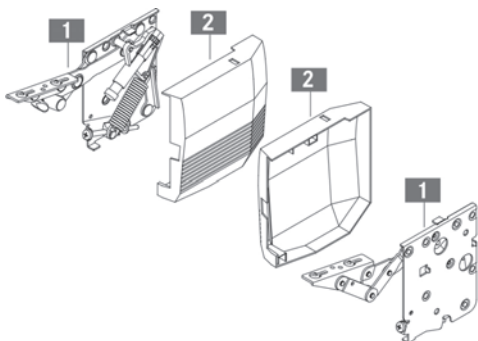
Height: 9-27/32" - 23-5/8" (250mm - 600mm)

Item #	Version for	Overlay
GFF151147682201	Wood	Variable
GFF151147681201	Aluminum	21/32" (17mm)

Frame Adapters	
Item #	Description
GFF151135905201	Face frame adapter (2x) for wood frames with fixing screws (8x)

### Application Range

Cabinet Height	Flap weight includes handle lbs. (kg)		
	Spring on one side yellow	Spring on both sides yellow	Spring on both sides black
9 27/32" (250)	2.0 - 4.6 (0.9 - 2.1)	4.0 - 9.3 (1.8 - 4.2)	5.3 - 16.3 (2.4 - 7.4)
11 13/16" (300)	1.5 - 3.7 (0.7 - 1.7)	3.1 - 7.5 (1.4 - 3.4)	4.4 - 13.9 (2.0 - 6.3)
13 25/32" (350)	-	2.2 - 6.4 (1.0 - 2.9)	3.7 - 11.9 (1.7 - 5.4)
15 3/4" (400)	-	1.8 - 5.5 (0.8 - 2.5)	3.3 - 10.4 (1.5 - 4.7)
17 23/32" (450)	-	1.5 - 4.9 (0.7 - 2.2)	2.9 - 9.3 (1.3 - 4.2)
19 11/16" (500)	-	1.3 - 4.4 (0.6 - 2.0)	2.9 - 8.6 (1.3 - 3.9)
21 21/32" (550)	-	-	2.9 - 7.5 (1.3 - 3.4)
23 5/8" (600)	-	-	2.9 - 6.8 (1.3 - 3.1)



#### Kinvaro T-65 Set includes:

1. Fitting on the right without and on the left with damper (1)
2. Cover caps on right and left (x)

Also includes yellow loose springs (2), paper template (1) and installation instructions (1)

**GRASS KINVARO LIFTER SYSTEMS**



**Kinvaro T-71 Lift-Up Fitting**



- Variable opening angle - holds flap securely at any angle between 45° and 110°
- Adjustable spring force
- Integrated adjustable closing damper
- Flap 3 dimensionally adjustable - height, side, angle: direct adjustment ±1.5 mm
- No hinges fitted to the top panel
- Allows additional cabinet installation above
- Can be used for wooden flaps or aluminum frames with glass insert
- Face frame adapter available
- Weight 3.1 to 18.7 lbs.
- Range of Flaps:

Width: Up to 47-1/4" (1200mm)

Height: 11-13/16" - 23-5/8" (300mm - 600mm)

- Cover caps in grey

Item #	Version for	Overlay
GFF151147696201	Wood	Variable

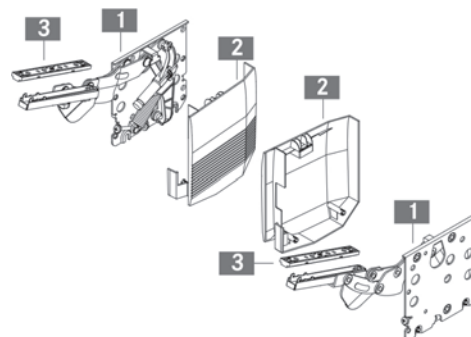
Frame Adapters	
Item #	Description
GFF151135905201	Face frame adapter (2x) for wood frames with fixing screws (8x)

**Application Range**

Cabinet Height	Flap weight includes handle lbs. (kg)	
	Spring white	Spring orange
11 13/16" (300)	4.6 - 16.3 (2.1 - 7.4)	5.5 - 18.7 (2.5 - 8.5)
13 25/32" (350)	4.0 - 13.9 (1.8 - 6.3)	5.1 - 16.5 (2.3 - 7.5)
15 3/4" (400)	3.7 - 11.9 (1.7 - 5.4)	4.6 - 15.0 (2.1 - 6.8)
17 23/32" (450)	3.5 - 10.4 (1.6 - 4.7)	4.4 - 12.8 (2.0 - 5.8)
19 11/16" (500)	3.3 - 8.8 (1.5 - 4.0)	4.0 - 11.0 (1.8 - 5.0)
21 21/32" (550)	3.1 - 8.2 (1.4 - 3.7)	3.5 - 10.1 (1.6 - 4.6)
23 5/8" (600)	3.1 - 7.3 (1.4 - 3.3)	3.1 - 9.3 (1.4 - 4.2)

**Kinvaro T-71 Set includes:**

1. Fitting on the right without and on the left with damper (1)
  2. Cover caps on right and left (1)
  3. Mounting plates (2)
- Also includes orange loose springs (2), paper template (1) and installation instructions (1)



A  
B  
C  
D  
E  
F  
G  
H  
I  
J  
K  
L  
M  
N  
O  
P  
Q  
R  
S  
T  
U  
V  
W  
X  
Y

## GRASS KINVARO LIFTER SYSTEMS



### Kinvaro T-76 Lift-Up Fitting



- Variable opening angle - holds flap securely at any angle between 45° and 110°
- Adjustable spring force
- Integrated adjustable closing damper
- Flap 3 dimensionally adjustable - height, side, angle: direct adjustment ±1.5 mm
- No hinges fitted to the top panel
- Allows additional cabinet installation above
- Can be used for wooden flaps or aluminum frames with glass insert
- Face frame adapter available
- Weight 11.5 to 24.25 lbs.
- Range of Flaps:

Width: Up to 47-1/4" (1200mm)

Height: 15-3/4" to 23-5/8" (400mm - 600mm)

- Cover caps in grey

Item #	Version for	Overlay
GFF151147706201	Wood	Variable

Frame Adapters	
Item #	Description
GFF151135905201	Face frame adapter (2x) for wood frames with fixing screws (8x)

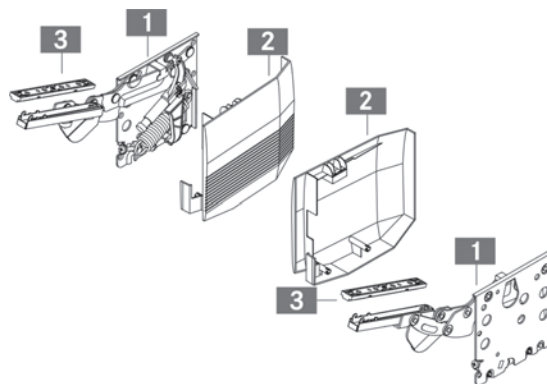
### Application Range

Cabinet Height	Flap weight includes handle lbs. (kg)
	Spring, standard
15 3/4" (400)	15.4 - 24.3 (7.0 - 11.0)
17 23/32" (450)	14.8 - 21.2 (6.7 - 9.6)
19 11/16" (500)	12.8 - 18.7 (5.8 - 8.5)
21 21/32" (550)	12.3 - 16.8 (5.6 - 7.6)
23 5/8" (600)	11.5 - 15.4 (5.2 - 7.0)

#### Kinvaro T-76 Set includes:

1. Fitting on the right without and on the left with damper (1)
2. Cover caps on right and left (1)
3. Mounting plates (2)

Also includes orange loose springs (2), paper template (1) and installation instructions (1)



**GRASS KINVARO LIFTER SYSTEMS**



**Kinvaro T-57 Lift-Up Fitting**



- Opening angle adjustable to 75° or 90°
- Adjustable spring force
- Adjustable flap height ±1.0 mm
- No hinges fitted to the top panel
- Allows additional cabinet installation above
- Can be used for wooden flaps or aluminum frames with glass insert
- Weight 2.2 to 13.7 lbs.
- Range of Flaps:  
Width: Up to 47-1/4" (1200mm)  
Height: 11-13/16" - 23-5/8" (300mm - 600mm)
- High quality finish, nickel-plated

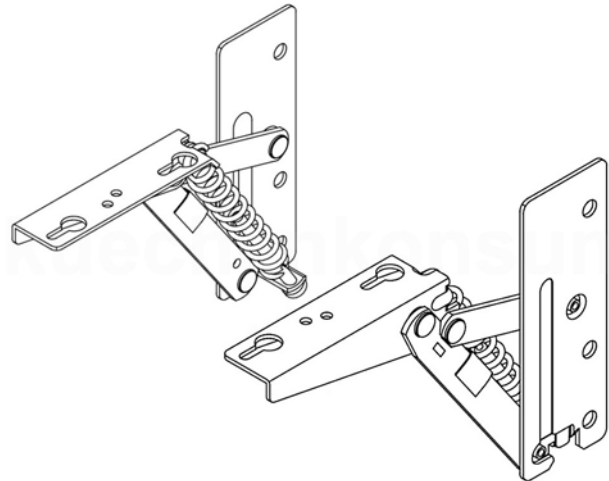
Item #	Version for	Overlay
GFF151145224517	Wood	Variable

**Application Range**

Cabinet Height	Flap weight includes handle lbs. (kg)	
	min.	max.
11 13/16" (300)	2.2 (1.0)	13.7 (6.2)
13 25/32" (350)	2.6 (1.2)	10.8 (4.9)
15 3/4" (400)	3.1 (1.4)	8.4 (3.8)
17 23/32" (450)	3.3 (1.5)	7.9 (3.6)
19 11/16" (500)	3.7 (1.7)	6.4 (2.9)
21 21/32" (550)	4.2 (1.9)	6.0 (2.7)
23 5/8" (600)	4.6 (2.1)	5.5 (2.5)

**Kinvaro T-57 Set includes:**

- 1. Fitting, right and left (1)
- Also includes paper template (1x) and installation instructions (1)



A  
B  
C  
D  
E  
F  
G  
H  
I  
J  
K  
L  
M  
N  
O  
P  
Q  
R  
S  
T  
U  
V  
W  
X  
Y

**GRASS KINVARO LIFTER SYSTEMS**



**Kinvaro T-105 Flap Stay**



- Variable opening angle - holds flap securely at any angle between 45° and 105°
- Spring-supported opening function
- Convenient access, flap lifts clear of the work area
- Allows additional cabinet installation above
- Can be used for wooden flaps or aluminum frames with glass insert
- Maintenance-free, no re-adjustment required
- Range of Flaps:  
Width: Up to 47-1/4" (1200mm)  
Height: 9-27/32" - 19-11/16" (250mm - 500mm)
- High quality zinc diecasting, nickel-plated

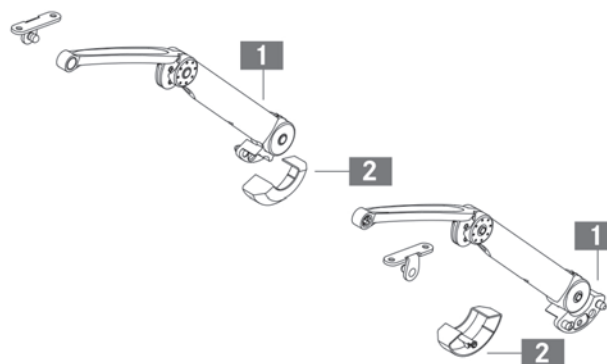
Item # Left	Item # Right	Version for	Overlay
GFF151145220513	GFF151145221513	Wood	Variable

**Application Range**

Cabinet Height	Number of flap stays	Flap weight includes handle lbs. (kg)
		Spring, standard
9 27/32" (250)	1	3.1 - 9.7 (1.4 - 4.4)
	2	7.5 - 19.6 (3.4 - 8.9)
11 13/16" (300)	1	3.5 - 9.5 (1.6 - 4.3)
	2	7.1 - 19.0 (3.2 - 8.6)
13 25/32" (350)	1	2.9 - 9.0 (1.3 - 4.1)
	2	5.7 - 17.9 (2.6 - 8.1)
15 3/4" (400)	1	2.9 - 7.5 (1.3 - 3.4)
	2	5.7 - 15.0 (2.6 - 6.8)
17 23/32" (450)	1	2.6 - 6.6 (1.2 - 3.0)
	2	5.3 - 13.4 (2.4 - 6.1)
19 11/16" (500)	1	2.4 - 6.4 (1.1 - 2.9)
	2	4.9 - 12.8 (2.2 - 5.8)

**Kinvaro T-105 Set includes:**

1. Fitting, right or left (1)
  2. Cover caps, right or left, in black (1)
- Also includes paper template (1) and installation instructions (1)





**GRASS KINVARO LIFTER SYSTEMS**



**Kinvaro D-M Flap Stay with Pull Cable**



- Opening angle adjustable (length of cable)
- Spring force adjustment
- Can be used with shallow cabinets from 110mm (4-5/16") depth
- Flap weight up to 10 kg (22 lb)
- Flap height 200mm - 480mm (7-7/8" - 18-7/8")
- Can be used on left/right side of cabinet
- Easy to install horizontally or vertically
- Works perfectly with Tiomos flap hinge
- Packaged in full boxes of 10. Available any quantity.

**Kinvaro D-M Flap Stay - Includes Front Holder and Fixing Screws**

Item #	Springs	Color
GFF053139661607	60N	Grey
GFF053139662607	100N	Grey



**Cover Caps for Kinvaro D-M**

Item #	Color
GFF053139668507	White
GFF053139669507	Night
GFF053139670507	Smoke



**Kinvaro D-S Flap Stay with Pull Cable**



- Opening angle adjustable (length of cable)
- Can be used with shallow cabinets from 82mm (3-1/4") depth
- Flap height 200mm - 480mm (7-7/8" - 18-7/8")
- Can be used on left/right side of cabinet
- Easy to install horizontally or vertically
- In White or Night finish
- Works perfectly with Tiomos flap hinge

**Kinvaro D-S Flap Stay - Includes Front Holder and Fixing Screws**

Item #	Springs	Color
GFF053139664607	40N	White
GFF053139665607	40N	Night
GFF053139666607	60N	White



A  
B  
C  
D  
E  
F  
G  
H  
I  
J  
K  
L  
M  
N  
O  
P  
Q  
R  
S  
T  
U  
V  
W  
X  
Y

## GRASS TIOMOS FLAP HINGES



### Tiomos 90° Hinges for Flap Doors

- Sleek modern design
- 90° opening angle
- For flap thicknesses of up to 30mm (1-3/16")
- Narrow joint
- Large overlay of up to 19mm (3/4")
- 3-dimensional adjustment
- Compatible with Tipmatic pin system
- Compatible with Kinvaro D-M/D-S flap system
- Packaged in full boxes of 100. Available any quantity.



Flap Hinges			
Item #	Description	Finish	Cup Depth
GFF053139671223	For Flap Thicknesses of 14-21mm	Nickel	12mm
GFF053139677223	For Flap Thicknesses of 14-21mm	Night	12mm
GFF053139672223	For Flap Thicknesses of 22-28mm	Nickel	17mm
GFF053139678223	For Flap Thicknesses of 22-28mm	Night	17mm

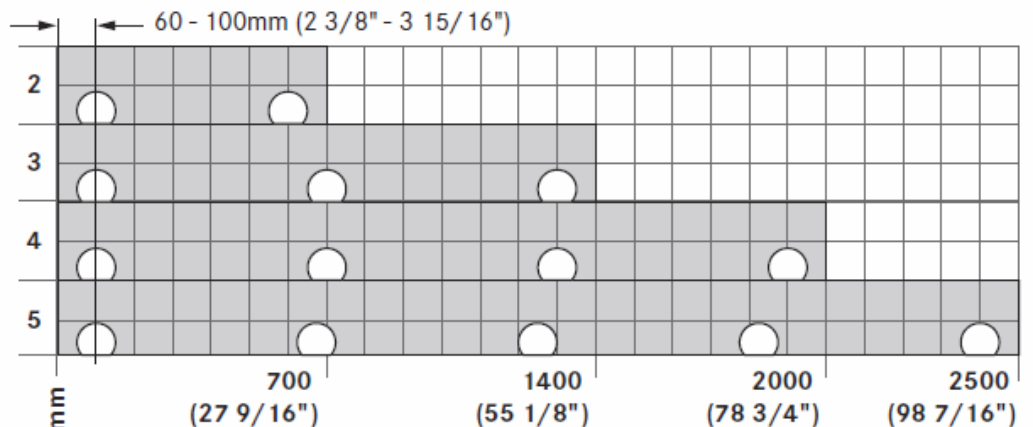


Cover Caps for Flap Hinges		
Item #	Description	Box Qty
GFF053139675223	Steel, Nickel-Plated	100
GFF053139683223	Steel, Night	100
GFF053139676223	Steel, Nickel-Plated	100
GFF053139684223	Steel, Night	100



1.5mm Spacers for Tiomos Flap Hinges		
Item #	Description	Box Qty
GFF053139676223	Steel, Nickel-Plated	100
GFF053139684223	Steel, Night	100

**Number of Flap Hinges Per Door**



## SALICE WIND LIFT SYSTEM

### Salice WIND Lift System

- Can be used with doors as small as 8-5/8" tall
- Can be mounted to the side or the top of the cabinet
- Can be used for very wide doors by simply adding additional mechanisms
- Simple motion speed adjustment after installation
- Multiple cover cap color choices
- Height, depth, and side adjustments by automatic cam
- Attached to the door using a standard 35mm bore
- See QR code for WIND installation video →



**SALICE**



### Soft-Close WIND System

Item #	Type	Min Door Height	Max Door Height	Spring Color Code
UBFRAKFEXWSN9	W	8-5/8"	15-3/4"	White spring/free swing
UBFRAKFEXDSN9	D	8-5/8"	24"	Yellow spring/free swing
UBFRAKFEXISN9	I	12-9/16"	24"	Yellow spring/yellow spring
UBFRAKFEXFSN9	F	12-9/16"	24"	Black spring/black spring
UBFRAKFEXSSN9	S	12-9/16"	24"	Red spring/red spring

Note: Kit includes mechanism, left & right adapters, 2 door cups, and system screws

### Push-to-Open WIND System

Item #	Type	Min Door Height	Max Door Height	Spring Color Code
UBFRAKFEPWSN9	W	8-5/8"	15-3/4"	White spring/free swing
UBFRAKFEPDSN9	D	8-5/8"	24"	Yellow spring/free swing
UBFRAKFEPISN9	I	12-9/16"	24"	Yellow spring/yellow spring
UBFRAKFEPFSN9	F	12-9/16"	24"	Black spring/black spring
UBFRAKFEPSSN9	S	12-9/16"	24"	Red spring/red spring

Note: Kit includes mechanism, left & right adapters, 2 door cups, and system screws

### WIND Cover Sets

Item #	Color
UBSRXA78AMSXXF	Gray
UBSRXA78A1SNXXF	White
UBSRXA78AQSXXF	Glossy White
UBSRXA78A0SNXXF	Satin Black
UBSRXA78ANSXXF	Glossy Black
UBSRXA78AISXXF	Steel
UBSRXA78ACSNXXF	Champagne



A  
B  
C  
D  
E  
F  
G  
H  
I  
J  
K  
L  
M  
N  
O  
P  
Q  
R  
S  
T  
U  
V  
W  
X  
Y

## A SALICE PACTA HINGES

### Salice Pacta Hinge

- Compact hinge system for drop down doors without the need for additional cables or flap stays
- Ideal for use in kitchens, bathrooms, closets, and commercial applications
- Soft opening for a controlled and gradual opening
- In the fully open position, the door and cabinet bottom panel are aligned for a smooth surface
- A center hinge can be added for wider cabinet applications 30" or wider
- Available in Soft Opening with Self close **or** Soft Opening with Push-to-open for handle-less doors
- Covers are offered in a variety of finishes to complement and blend with any interior
- Minimum door height: 11"
- Maximum door height: 16"
- 50 lb. load rating

# SALICE



#### Pacta Manual Open, Self-Close, Soft-Down (\* Includes: Hinges, mounting plates, Smoves and screws)

	Item #	Description
A	UBFRBKFEWWSN9	Pacta Type W Soft Close, Gray Smove, Light Duty
	UBFRBKFEWISN9	Pacta Type I Soft Close, Tan Smove, Medium Duty
	UBFRBKFEWSSN9	Pacta Type S Soft Close, Red Smove, Heavy Duty

#### Pacta Push-to-Open, Soft-Down (\* Includes: Hinges, mounting plates, Smoves, and screws. Magnetic release devices sold separately.)

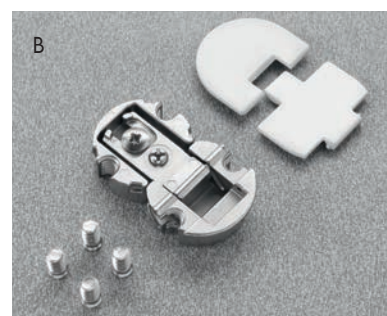
	Item #	Description
A	UBFRBKFEPPWSN9	Pacta Type W Push-Open, Gray Smove, Light Duty
	UBFRBKFEPPISN9	Pacta Type I Push-Open, Tan Smove, Medium Duty
	UBFRBKFEPPSSN9	Pacta Type S Push-Open, Red Smove, Heavy Duty

#### Pacta Center Hinges (\* Includes: 1 hinge, 1 hinge cover and Euro screws)

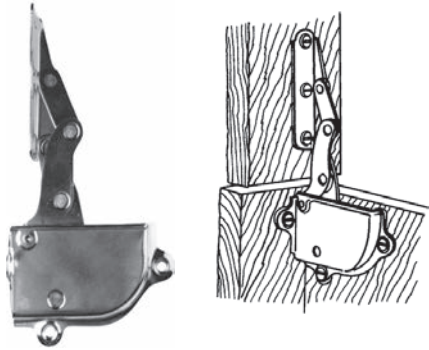
	Item #	Description
B	UBFRCK59RXXX1	Pacta Type 1 Center Hinge, White
	UBFRCK59RXXXQ	Pacta Type Q Center Hinge, Glossy White
	UBFRCK59RXXXM	Pacta Type M Center Hinge, Gray
	UBFRCK59RXXX0	Pacta Type O Center Hinge, Satin Black

#### Pacta Cover Kits (\* Includes 2 covers)

	Item #	Description
C	UBSRXB78A1XXXXF	Pacta Type 1 Cover Set, White
	UBSRXB78AQXXXXF	Pacta Type Q Cover Set, Glossy White
	UBSRXB78AMXXXXF	Pacta Type M Cover Set, Gray
	UBSRXB78A0XXXXF	Pacta Type O Cover Set, Satin Black



**LID SUPPORTS & UP STAYS (CHEST STYLE)**

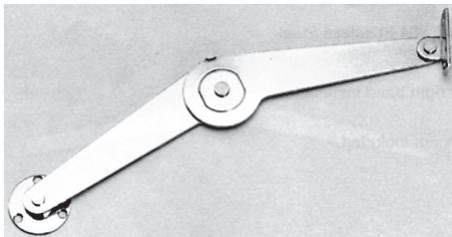


**Combination Chest Hinge/Lid Support**

- Mounts in back corner of cabinets; additional hinging is not needed, acts as hinge and support
- Open top to 90°
- Hinge body is 2" H x 3-1/2" L, hinge flange is 3-1/2" L x 3/4" W
- Sold in pairs without screws



Item#	Hinge Body	Top Flange
LS34	2" H x 3-1/2" L	3-1/2" L x 3/4" W

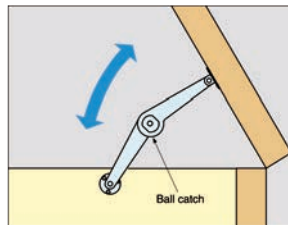
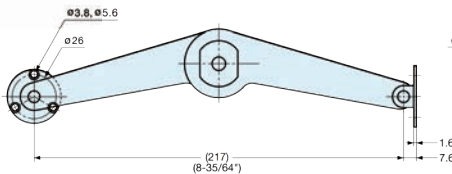
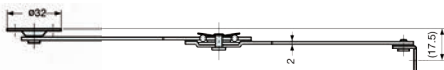


**Lid Support With Lock-Out**

- Friction lock in the open position. Apply pressure to release
- Pivot is fastened to the side wall of the cabinet. Foot mounts to underside of the lid
- Material/Finish: Steel, Chrome-Plated. Nylon washer
- Specifications: 8-1/2" L
- Catch holds cabinet door open



Item#	Mount Type
SLS20R	Right Hand
SLS20L	Left Hand



- Lid stay with ball catch for lightweight doors.
- Catch automatically holds lid in opened position.
- Can be installed individually or in pairs.
- Handed: Specific left and right hand mounting.

**VIEW OUR FULL LINE OF LID SUPPORTS & LIFT SYSTEMS AT:**

**www.wurthbaersupply.com**

**OR SCAN CODE →**



A  
B  
C  
D  
E  
F  
G  
H  
I  
J  
K  
L  
M  
N  
O  
P  
Q  
R  
S  
T  
U  
V  
W  
X  
Y



**A LID SUPPORTS & UP STAYS (CHEST STYLE)**

B  
C  
D  
E  
F  
G  
H  
I  
J  
K  
L  
M  
N  
O  
P  
Q  
R  
S  
T  
U  
V  
W  
X  
Y



**Light Duty Soft-Close Movement**



- Designed to be used for top opening lids on chests
- Holds door in fully open position, at 105 degree position
- Unhanded
- Can be used with piano, concealed and drop hinges
- Tested up to 30,000 cycles with a torque rating of 35 per stay and 70 torque rating for a pair of stays used together
- Screws included

Note: Torque rating = lid height x lid weight x 1/2

Item#	Degree of Opening	Finish
SLSDSC210-W	105°	White



**Medium Duty Soft-Close Movement**



- For top-opening lids, holds door in both closed position and open at 70 or 105° angles, depending on positioning
- Speed adjustment screw allows for varying speeds of soft-close downward movement
- Tested to 50,000 cycles, screws included
- Has adjustable 19 to 60 lbs. per square inch torque rating range per piece and 38 to 120 lbs. torque rating per pair

Note: Torque rating = lid height x lid weight x 1/2

Item#	Description
SLNSDX-20RK	Right Hand Up-Stay
SLNSDX-20LK	Left Hand Up-Stay



**Medium to Heavy Duty Lid Support & Up Stay**



- Holds door in fully open position, at 70 degree position
- Can be used with piano, concealed and drop hinges
- Tested up to 90,000 cycles
- Screws included

Note: Torque rating = lid height x lid weight x 1/2, \* When used in pairs.

Item#	Type	Finish
<b>Medium Duty - 173 To 216 Lbs. Per Sq. In Torque *</b>		
SLHDS20ML	Medium-Duty (Left)	White
SLHDS20MR	Medium-Duty (Right)	White
<b>Heavy Duty - 216 To 260 Lbs. Per Sq. In Torque *</b>		
SLHDS20HL	Heavy-Duty (Left)	White
SLHDS20HR	Heavy-Duty (Right)	White



**LID SUPPORTS & UP STAYS**



**Light Duty With Soft-Close Movement**



- Designed for upward opening lids on cabinets
- Holds door in closed and open position at 90°
- Non-handed
- Single stays can handle torque from 35 to 60 lbs., two stays together can handle up to 120 lbs.
- Soft-close mechanism provides smooth slow closing through 90° of door movement
- Guaranteed up to 30,000 cycles, screws included
- Color: White

<b>Item#</b>
SLSDSC301-W

Note:  
Torque rating = lid height x lid weight x 1/2



**Medium Duty With Soft-Close Movement**



- Holds lid closed and opened at 80, 90 or 100 degrees
- Tested to 50,000 cycles
- Has soft-close movement that is adjustable with the turn of a screw
- Right-and left-hand mounting
- Accomodates torque range from 19 to 60 lbs. per square inch

Note: Torque rating = lid height x lid weight x 1/2

<b>Right Hand Item#</b>	<b>Left Hand Item #</b>
SLNSDX-35RK	SLNSDX-35LK



**Light To Heavy Duty With Soft-Close Movement**



- Designed for top opening lids on cabinets, pianos, concealed and drop hinges
- Holds door in fully open position, at 80 degree position
- Left and right handed versions available
- Tested up to 90,000 cycles, screws included

Note: Torque rating = lid height x lid weight x 1/2

Item#	Type	Finish
<b>Light Duty - Up To 170 Lbs. Per Sq. In Torque</b>		
SLHDS30KL	Light Duty (Left)	White
SLHDS30KR	Light-Duty (Right)	White
<b>Medium Duty - Up To 215 Lbs. Per Sq. In Torque</b>		
SLHDS30ML	Medium-Duty (Left)	White
SLHDS30MR	Medium-Duty (Right)	White
<b>Heavy Duty - Up To 260 Lbs. Per Sq. In Torque</b>		
SLHDS30HL	Heavy-Duty (Left)	White
SLHDS30HR	Heavy-Duty (Right)	White

A  
B  
C  
D  
E  
F  
G  
H  
I  
J  
K  
L  
M  
N  
O  
P  
Q  
R  
S  
T  
U  
V  
W  
X  
Y

A  
B  
C  
D  
E  
F  
G  
H  
I  
J  
K  
L  
M  
N  
O  
P  
Q  
R  
S  
T  
U  
V  
W  
X  
Y

**LID SUPPORTS & UP STAYS**



**Medium & Heavy Duty Soft-Close Movement**



- Lift-assisted mechanism for extra light-opening
- Door stays in any up position by opening the door to position and then letting go
- Damper equipped for soft & silent closing at the end
- Simple installation by aligning body to edge of cabinet
- Tested to 40,000 cycles, screws included
- Mechanism has light gray colored housing

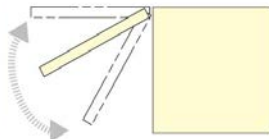
Item#	Type	Description
SLSSELAN-MR	M-Type	Medium Duty, Installed on Right
SLSSELAN-ML	M-Type	Medium Duty, Installed on Left
SLSSELAN-HR	H-Type	Heavy Duty, Installed on Right
SLSSELAN-HL	H-Type	Heavy Duty, Installed on Left

**3 functions on 1 stay**

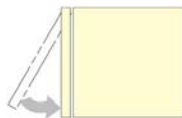
**1. Lift-assist**



**2. Free stop**



**3. Soft-close**



\*Single or pair depending on door size and weight.

Door Height (Inch)	Door Weight Range Table (lb)							
	Single Use				Pair Use			
	M-Type		H-Type		M-Type		H-Type	
	Min	Max	Min	Max	Min	Max	Min	Max
12*	8.0	10.8	10.8	14.5	16.0	21.7	21.7	29.0
13*	7.4	10.0	10.0	13.4	14.8	20.0	20.0	26.8
14*	6.9	9.3	9.3	12.4	13.7	18.6	18.6	24.9
15*	6.4	8.7	8.7	11.6	12.8	17.3	17.3	23.2
16*	6.0	8.1	8.1	10.9	12.0	16.3	16.3	21.8
17*	5.6	7.6	7.6	10.2	11.3	15.3	15.3	20.5
18*	5.3	7.2	7.2	9.7	10.7	14.4	14.4	19.3
19*	5.1	6.8	6.8	9.2	10.1	13.7	13.7	18.3
20*	4.8	6.5	6.5	8.7	9.6	13.0	13.0	17.4
21*	4.6	6.2	6.2	8.3	9.1	12.4	12.4	16.6
22*	4.4	5.9	5.9	7.9	8.7	11.8	11.8	15.8
23*	4.2	5.7	5.7	7.6	8.3	11.3	11.3	15.1
24*	4.0	5.4	5.4	7.3	8.0	10.8	10.8	14.5
25*	3.8	5.2	5.2	7.0	7.7	10.4	10.4	13.9
26*	3.7	5.0	5.0	6.7	7.4	10.0	10.0	13.4
27*	3.5	4.8	4.8	6.4	7.1	9.6	9.6	12.9
28*	3.4	4.6	4.6	6.2	6.9	9.3	9.3	12.4



**Vertical Swing Lift Up Mechanism, Soft-Close**



- Unique swing mechanism will lift cabinet doors up vertically and hold them in place
- Recommended for doors 24" to 35-1/2" wide and 15" to 18" tall
- Tested to perform over 30,000 cycles, screws included
- Designed to be used in pairs

Item#	Door Weight	Finish
SLSLU3	5.5 to 7.7 lb	Gray
SLSLU5	10 to 11.4 lb	Gray

**LID SUPPORTS, DOWN STAYS & UP STAYS**



**Drop Lid Support**

- A hinged lid support with a “snap-lock” in the fully open position
- Handed and sold by the pair
- Two lengths available: 6” and 10”
- Material/Finish: Steel, nickel plated
- Screws included



Item#	Length
KV472A-6	6”
KV472A-10	10”



**Light Duty Soft Open Movement**

- Designed for downward opening lids, provides soft open upon opening motion being initiated
- Short arm type designed for small door applications, allows door to open to 90 degrees
- Single down stay can accommodate 10.4 lbs. per square inch torque
- Non-handed
- Without catch mechanism (magnetic catch required) to keep flap in closed position



Note: Torque rating = lid height x lid weight x 1/2

Item#
SLSDSC100-W



**Hinge Type/Locking**

- Mounts to inside of cabinet and maintains door open between 70° and 90° depending on positioning
- Lift up and it locks, lift again and it unlocks
- Polished chrome arm with white nylon housing
- Available in left handed and right handed mount types
- Screw on the housing and foot while the unit is in the open position and locked. There is a marker “M” which should always be mounted on the cabinet side, facing toward the opening
- Recommended Fasteners: WW42100, sold in multiples of 1,000, not included



Item#	Type	Length
CN250W-L	Left Side Mount	9-1/2”
CN250W-R	Right Side Mount	9-1/2”

A  
B  
C  
D  
E  
F  
G  
H  
I  
J  
K  
L  
M  
N  
O  
P  
Q  
R  
S  
T  
U  
V  
W  
X  
Y

**A COUNTERBALANCE LIFTS**



**Lift-A-SYST® II**

**For Light To Medium Weight Flip-Up Counters (12 - 72 Lbs.)**

- The Lift-A-SYST® II counterbalance is designed to provide assisted lifting force and mid-span balancing, allowing safety and usability for flip-up counter users
- Applications include: Restaurants, bars and nightclubs, hotels and motels, resorts and casinos, hospitals and medical centers, schools and universities, libraries, cafeterias, reception areas, work stations, stadiums and concert arenas

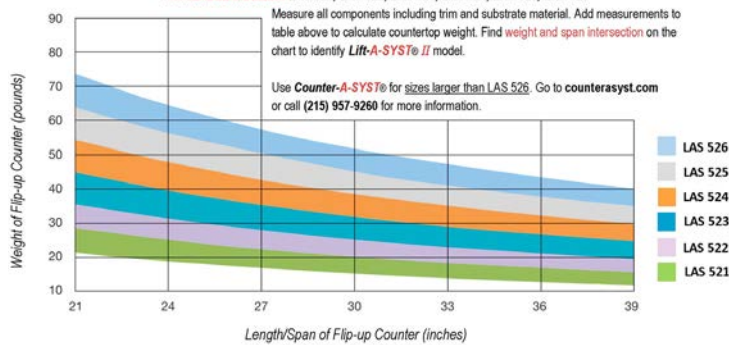
**Features & Benefits:**

- One piece construction
- All aluminum and stainless steel with maintenance-free Black finish
- Easy mounting and adjusting
- Hidden bolt attachment for arm



**Lift-A-SYST® II Model Selection Chart**

AVAILABLE MODELS: LAS 521, LAS 522, LAS 523, LAS 524, LAS 525, LAS 526



Item #	Description
CBLAS521	Lift-A-SYST 521
CBLAS522	Lift-A-SYST 522
CBLAS523	Lift-A-SYST 523
CBLAS524	Lift-A-SYST 524
CBLAS525	Lift-A-SYST 525
CBLAS526	Lift-A-SYST 526
CBLAS2DIEWALL	LAS II Dry Wall Bracket Kit



**Counter-A-SYST®**

**For Medium To Heavy Weight Flip-Up Counters (50 - 155 Lbs.)**

- For use on flip-up counters in hotels and motels, restaurants, resorts, casinos, bars and lounges, hospitals, private residences and educational establishments.

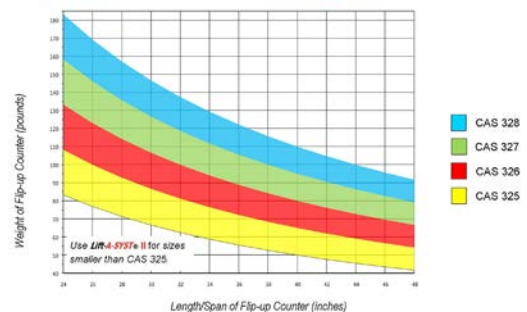
**Features & Benefits:**

- Effortless opening - Neutralizes the weight of the countertop
- Smooth motion and stopping - holds securely in open, closed and in-between positions
- Softer, quieter closing - weightless, providing a softer close
- Maintenance free - manufactured without compressed gases, oils and service schedules
- Stainless steel and aluminum parts - unit finished in black



Item #	Description
CBCAS325	Counter-A-SYST 325
CBCAS326	Counter-A-SYST 326
CBCAS327	Counter-A-SYST 327
CBCAS328	Counter-A-SYST 328
CBCASDIEWALL	CAS Dry Wall Bracket Kit

**Counter-A-SYST® Selection Chart** Use Lift-A-SYST® II for sizes smaller than CAS 325. Go to www.liftasyst.com or call (215) 957-9260 for custom sizes.



**INSTITUTIONAL HINGES**

**Overlay 5 Knuckle Hinges**

- Designed for 32mm hole system
- Hospital grade tips
- Frame leaf length: 1-3/4"
- Tight screw pin and elongated holes on both
- Barrel Height: 2-3/4"
- Material Thickness: .095" (2.4mm);
- Hinges come with screws



Finish	Item#	Item #	A Side Panel	B Door Thickness	C Hinge Overlay	D Door Overlay
<b>374 Series Overlay Hinge - For 3/4" Thick Doors</b>						
Satin Black	IHP374-1D	IHB374-1D (50 pair)	3/4"	3/4"	23/32"	15/32"
Dull Chrome	IHP374-26D	IHB374-26D (50 pair)	3/4"	3/4"	23/32"	15/32"
White	IHP374-EW	-	3/4"	3/4"	23/32"	15/32"
<b>375 Series Overlay Hinge - For 13/16" Thick Doors</b>						
Satin Black	IHP375-1D	IHB375-26D (50 pair)	13/16"	13/16"	25/32"	17/32"
Dull Chrome	IHP375-26D	-	13/16"	13/16"	25/32"	17/32"
<b>376 Series Overlay Hinge - For 13/16" Thick Doors</b>						
Satin Black	IHP376-1D	-	3/4"	13/16"	23/32"	15/32"
Dull Chrome	IHP376-26D	IHB376-26D (50 pair)	3/4"	13/16"	23/32"	15/32"
White	IHP376-EW	-	3/4"	13/16"	23/32"	15/32"
Stainless Steel	IHP376-SS	IHB376-SS (25 pair)	3/4"	13/16"	23/32"	15/32"
<b>454 Series Overlay Hinge - For 3/4" Thick Doors</b>						
Satin Black	IHP454-1D	-	3/4"	3/4"	23/32"	15/32"
Dull Chrome	IHP454-26D	IHB454-26D (50 pair)	3/4"	3/4"	23/32"	15/32"
<b>456 Series Overlay Hinge - For 13/16" Thick Doors</b>						
Satin Black	IHP456-1D	-	3/4"	13/16"	23/32"	15/32"
Dull Chrome	IHP456-26D	IHB456-26D (50 pair)	3/4"	13/16"	23/32"	15/32"
<b>848 Series Overlay Hinge - For 3/4" Thick Doors</b>						
Dull Chrome	IHP848-26D	-	3/8"	3/4"	11/32"	1/8"
<b>849 Series Overlay Hinge - For 13/16" Thick Doors</b>						
Dull Chrome	IHP849-26D	IHB849-26D (50 pair)	3/8"	13/16"	11/32"	1/8"

A  
B  
C  
D  
E  
F  
G  
H  
I  
J  
K  
L  
M  
N  
O  
P  
Q  
R  
S  
T  
U  
V  
W  
X  
Y



**A INSTITUTIONAL HINGES**



**Overlay Hinges, 5 Knuckle**

- Designed for a 32mm hole pattern; 2-3/4" five knuckle hinge
- Door Thickness :13/16"
- .095" Steel, hospital tip
- Includes #8 x 3/4" screws
- Pin Diameter 4.8mm
- BHMA/ANSI Tested Grade 1



Item#	Finish
DSPROIH76-26D	Dull Chrome
DSPROIH76-SC	Satin Chrome



**Overlay Hinges, 5 Knuckle**

- Designed for 32mm hole pattern; 2-3/4" joint length five knuckle hinge
- Door Thickness 3/4"
- .095 inch Steel
- Hospital tip
- Includes #8 x 3/4" screws
- Pin Diameter 4.8mm
- BHMA/ANSI Tested Grade 1



Finish	Item#	Side Panel	Door Thickness	Hinge Overlay	Door Overlay
Dull Chrome	DSPROIH74-26D	3/4"	13/16"	3/4"	1/2"
Black	DSPROIH74-BL	3/4"	13/16"	3/4"	1/2"



**Overlay Hinges, 5 Knuckle For Doors Up To 1-3/8" Thick**

- RPC 388 & 7036 Series
- Finish: Dull Chrome
- Barrel Height: 2-3/4" (51.63mm)
- Screws included



Item#	Side Panel	Door Thickness	Hinge Overlay	Door Overlay	Reveal	Material Thickness
IHP388-26D	1"	13/16"	1"	25/32"	7/32"	.083"
IHP7036-26D	3/4"	1-3/8"	23/32"	15/32"	9/32"	.095"



**Flush Door Hinges, 5 Knuckle For Doors 3/4" & 13/16" Thick**

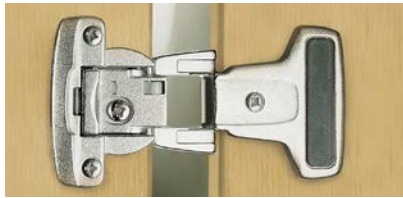
- RPC 860 Series
- Barrel Height: 2-1/2" (63.5mm)
- Material Thickness: 0.083" (2.1mm)
- Screws included



Item#	Door Thickness	Door Clearance	Cabinet Wing Length	Finish
IHP860-1D	3/4"	7/32"	1-59/64"	Satin Black
IHP860-26D	3/4"	7/32"	1-59/64"	Dull Chrome



**GRASS INSTITUTIONAL HINGES**



**MB Series Barrel Hinges**



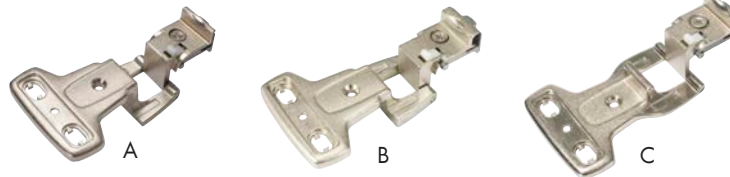
- Hinges made of zinc die-cast construction for extreme durability
- Recommended for side panel thicknesses of 19mm (3/4")
- Tool-free snap-on mounting - quick and easy installation
- All types of hinge mounting (corner and center wall)
- Side-to-side adjustment of - 2mm (1/16")
- Height adjustment of +/- 2mm (1/16")
- Cover cap conceals mounting screws
- Available in black and nickel plated
- Designed for frameless cabinet construction
- Opening angles range from 180° to 270°
- Meets ANSI/BHMA A156.9 - Grade I requirements



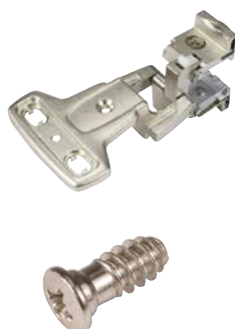
**How to Order Grass Institutional Hinges:**

- 1) Choose screw-on or dowelled cup: one cup fits all hinge arms.
  - 2) Choose hinge arm based on application (cover cap included).
  - 3) Special #6.3 x 13.5mm Euro screws (2) required for hinge arm mounting.
- Must be ordered separately.

MB 8010 Hinge Cup - 45mm Pattern			
Item #	Finish	Fixing Type	Box Qty
MEM690.030.11.25	Nickel-Plated	Screw-On	200
MEM690.030.11.18	Black	Screw-On	200
MEM690.030.12.25	Nickel-Plated	Dowelled	200
MEM690.030.12.18	Black	Dowelled	200



Hinge Arms				
	Item #	Description	Finish	Box Qty
A	MEM811.328.11.25	MB 8310 Hinge Arm - Full Overlay - 15mm (19/32")	Nickel-Plated	100
	MEM811.328.11.18	MB 8310 Hinge Arm - Full Overlay - 15mm (19/32")	Black	100
B	MEM821.128.11.25	MB 8510 Hinge Arm - Half Overlay - 5.5mm (7/32")	Nickel-Plated	100
	MEM821.128.11.18	MB 8510 Hinge Arm - Half Overlay - 5.5mm (7/32")	Black	100
C	MEM611.028.11.25	MB 6110 Hinge Arm - Inset	Nickel-Plated	100



MB 8610 Common Panel Hinge Arm - 5.5mm (7/32")		
Item #	Finish	Box Qty
MEM822.128.11.25	Nickel-Plated	100

Euro Screws for Hinge Arm Mounting - 6.3 x 13.5mm		
Item #	Finish	Box Qty
MEB405.000.51.25	Nickel-Plated	100

A  
B  
C  
D  
E  
F  
G  
H  
I  
J  
K  
L  
M  
N  
O  
P  
Q  
R  
S  
T  
U  
V  
W  
X  
Y

## INSTITUTIONAL HINGES



Hinge cup boring pattern: 45mm x 9.5mm  
 Hinge cup diameter: 35mm  
 Hinge cup depth: 12mm

### Adjustment Range

Height adjustment: +2.0mm, -2mm  
 Depth adjustment: +2.8mm, -.5mm  
 Lateral adjustment: +4.5mm, -1.5mm



### Salice Institutional Hinges - Grade 1

**SALICE**

- Series M hinges conform with FIRA level 5 and ANSI Grade 1 requirements and meets ISO 9001 and ISO 14001 environmental certification
- 270° opening for 19mm thick doors
- 180° opening for doors up to 24mm
- Compatible with all Salice Series 200 hinge mounting plates: both clip-on and slide-on
- Nickel plated for corrosion resistance
- Independent, automatic three dimensional adjustment
- Lifetime warranty

Hinge Type	Screw-on Item #	Press-in Dowel Item #
<b>Full Overlay: Recessed Knuckle</b>		
Single pivot	UBCMP3A99	UBCMR3A99
<b>Full Overlay: External Knuckle</b>		
Single pivot	UBCMP3A99	UBCMR3A99
<b>Half Overlay: Recessed Knuckle</b>		
Single pivot	UBCMP3A99	UBCMR3A99
<b>Inset: Recessed Knuckle</b>		
Single pivot	UBCMP3A99	UBCMR3A99

Accessory Items		
	Item #	Description
A	AA203351	35mm Hinge Boring Bit
B	AA301008	8mm LH Bit, 57mm L

## CONTINUOUS PIANO HINGES



### Cut Lengths 12", 30", 48" & 72"



- High quality, .040 gauge steel piano hinges have a lifetime finish
- All cut lengths of hinges have countersunk screw holes spaced 2" apart on center
- 100 screws required per 6' length, all hinges use #5 flathead screws with the exception of 3" wide hinges that use #6 flathead screws (not included)
- Hinge widths (opened) are 1-1/16", 1-1/4", 1-1/2", 2" and 3"

Open Width x Length	Antique Brass Item #	Bright Brass Item #	Bright Nickel Item #	Black Powder Item #
1-1/16" x 72"	PH10625AE-72	PH10625BP-72	PH10625NP-72	-
1-1/4" x 72"	PH12500AE-72	PH12500BP-72	PH12500NP-72	PH12500BL-72
1-1/2" x 30"	-	PH15000BP-30	PH15000NP-30	-
1-1/2" x 48"	-	PH15000BP-48	PH15000NP-48	-
1-1/2" x 72"	PH15000AE-72	PH15000BP-72	PH15000NP-72	PH15000BL-72
2" x 12"	-	-	PH20000NP-12	-
2" x 72"	PH20000AE-72	PH20000BP-72	PH20000NP-72	-
3" x 72"	-	PH30000BP-72	PH30000NP-72	-



### Aluminum & Stainless Steel Piano Hinges



- Piano hinges are made of high alloy steel
- All cut lengths of hinges have countersunk screw holes spaced 2" apart on center
- Stainless Steel hinge requires #6 flathead screws and Aluminum hinges require #5 flathead screws
- Open hinge width is 1-1/2" and the lengths are 72"

Item #	Description
PH15000STS-72	Stainless Steel - 72" Long
PH15000AL-72	Aluminum - 72" Long



### Continuous Roll Piano Hinge, 100' Length



- All cut lengths of hinges have countersunk screw holes spaced 2" apart on center
- Roll hinges are .019 gauge cold rolled steel
- Open hinge width is 1-1/2"
- Nickel finish

Item #
IHCP6-2203S

A  
B  
C  
D  
E  
F  
G  
H  
I  
J  
K  
L  
M  
N  
O  
P  
Q  
R  
S  
T  
U  
V  
W  
X  
Y

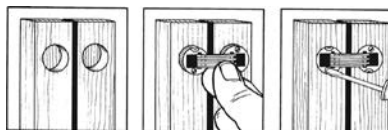
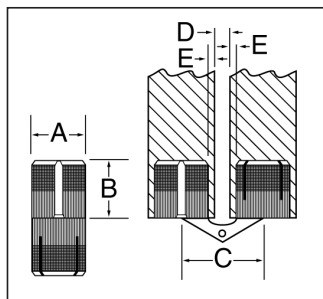
**SOSS INVISIBLE HINGES**



**Barrel Hinges**  
**SOSS Invisible Cylinder Hinge**

**SOSS**  
Door Hardware

- Fully concealed hinges are solid brass with heavy duty brass linkage
- Five diameter sizes from 10mm diameter to 18mm diameter
- Easy to install, drill holes to exact diameter of hinge, tap hinge into hole until hinge is flush, tighten hinge set screw to expand wedge for permanent fastening

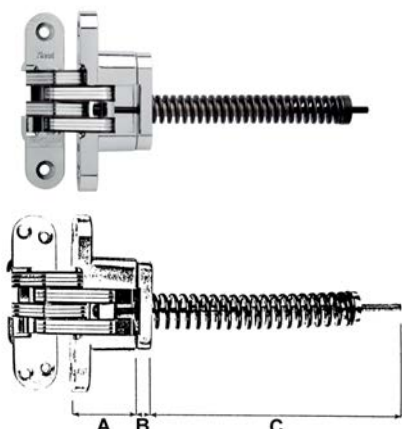


Item #	Hinge Diameter
SO10	10mm x 7/8"
SO12	12mm x 1-1/16"
SO14	14mm x 1-3/16"
SO16	16mm x 1-5/16"
SO18	18mm x 1-3/8"

Item #	Min. Door Thickness	Drill Bit	A	B	C	D Minimum	E Minimum
SO10	1/2"	10mm/ 25/64"	10mm	11mm	16.5mm	2.5mm	2mm
SO12	5/8"	12mm/ 15/32"	12mm	13.5mm	20mm	2.5mm	2mm
SO14	3/4"	14mm/ 35/64"	14mm	15.5mm	23mm	3mm	3mm
SO16	7/8"	16mm/ 5/8"	16mm	16.5mm	25mm	3mm	3mm
SO18	1-1/8"	18mm/ 45/64"	18mm	17.5mm	27mm	3mm	3mm

**SOSS 200 Series Invisible Hinge Closers**

**SOSS**  
Door Hardware



- Standard SOSS hinge has been modified to permit the inclusion of a 3/8" baseplate and an easily adjusted spring
- The closer functions as both hinge and a closer, eliminating the need for an additional hinge
- Closer rate is completely adjustable after installation without removing the closer or any parts
- In retrofit applications, the mortise depth must be increased 3/8" and one hole drilled to allow for the insertion of the spring into the door
- For door thickness up to 1-3/8"; one closer for every 75 lbs. of door
- Made of heavy-duty zinc alloy castings, screws included

Item #	Finish	A	B	C
SO216IC-26D	Satin Chrome	1-7/16"	3/8"	6-1/4"

## SOSS INVISIBLE HINGES

### SOSS Brand Invisible Hinges

- Fully anchored in a deep mortise
- Zinc die cast with steel laminated links
- For use when a butt hinge is not needed
- 180 degree opening capacity
- Sold in pairs

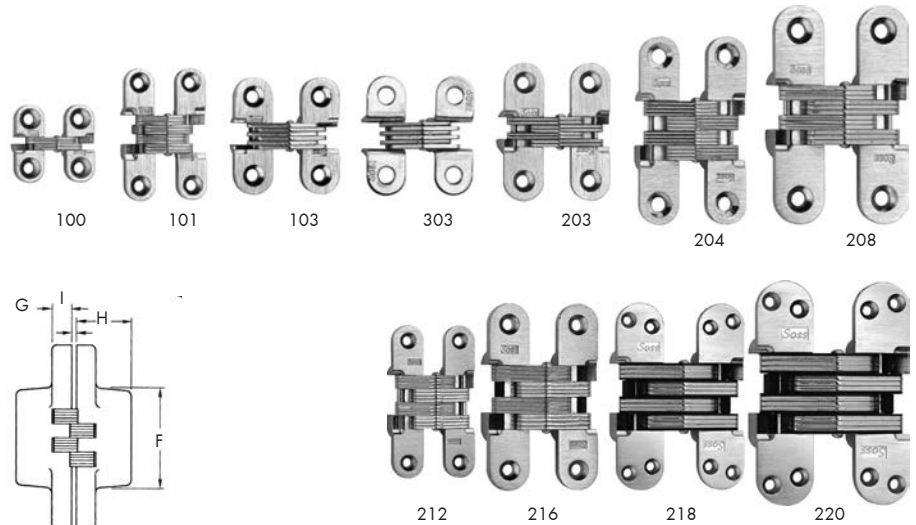
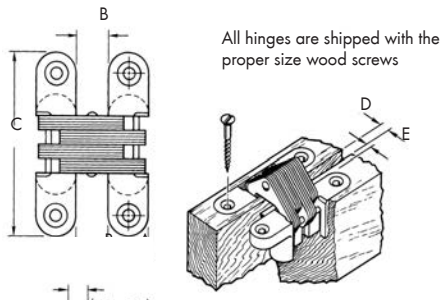
### Router Guide Templates

- Template is held on the door and jamb with nails, guide pins locate the deep mortise

Item #	Fits SOSS Hinge
SO203IT	203 Series
SO204IT	204 Series
SO212IT	212 Series
SO216IT	216 Series
SO218IT	218 Series

SOSS #	Satin Chrome Item #	Dull Brass Item #	Black Item #
100	-	SO100C-4	-
101	SO101C-26D	SO101C-4	-
103	SO103C-26D	SO103C-4	-
203	SO203C-26D	SO203C-4	SO203C-E
303	-	SO303C-4	-
204	-	SO204C-4	SO204C-E
208	SO208C-26D	SO208C-4	SO208C-E
212	SO212C-26D	SO212C-4	-
216	SO216C-26D	SO216C-4	SO216C-E
218	SO218C-26D	SO218C-4	-
220	SO220C-26D	-	-

### Key to Dimensions Shown in Charts



SOSS Hinge Dimensions											
Dimension	100	101	103	303	203	204	208	212	216	218	220
A	3/8"	3/8"	1/2"	1/2"	1/2"	1/2"	5/8"	3/4"	1"	1-1/8"	1-3/8"
B	9/32"	19/64"	3/8"	3/8"	23/64"	23/64"	29/64"	17/32"	23/32"	7/8"	1-1/16"
C	1"	1-11/16"	1-1/2"	1-1/2"	1-3/4"	2-3/8"	2-3/4"	3-3/4"	4-5/8"	4-5/8"	5-1/2"
D	3/32"	7/64"	1/8"	1/8"	7/64"	7/64"	9/64"	5/32"	7/32"	3/8"	1/2"
E	3/32"	3/32"	1/8"	1/8"	1/8"	1/8"	5/32"	3/16"	1/4"	1/4"	9/32"
F	3/8"	7/8"	11/16"	39/64"	3/4"	1-1/4"	1-11/32"	2-1/16"	2-19/32"	2-7/16"	2-15/16"
G	1/32"	1/32"	1/32"	1/32"	1/32"	1/16"	3/64"	3/64"	1/16"	1/16"	1/16"
H	15/32"	29/64"	19/32"	21/32"	23/32"	23/32"	29/32"	1-5/64"	1-7/16"	1-41/64"	1-15/16"
I	15/64"	7/32"	7/32"	.054"	3/16"	1/4"	9/32"	3/8"	15/32"	13/32"	15/32"
Min. Thickness	1/2"	1/2"	3/4"	11/16"	3/4"	3/4"	1"	1-1/8"	1-3/8"	1-3/4"	2"
Hinge Weight	.04lbs.	.07 lbs.	.09 lbs.	.05 lbs.	.11 lbs.	.20 lbs.	.34 lbs.	.75 lbs.	1.65 lbs.	1.86 lbs.	3.15 lbs.



## A 3-D ADJUSTABLE HINGES

### B Concealed 3-D Adjustable Hinges



- For use in a variety of applications including table tops, doorways, closets, and storage areas
- Fluid 180° opening
- 3-D adjustability
- Complete reversability due to perfect symmetry between the 2 sides of the hinge
- Can be used with wooden, aluminum, and steel doors
- Minimum width of jamb: 18 to 29mm
- Elegant design with various finishes available and no visible screws.
- Tested for a minimum of 200,000 opening cycles



1130 Series in Nickel

1131 Series in Satin Nickel

1230 Series in Matte Black

Hinges			
Item #	Size	Finish	3 Hinge Weight Capacity
CMC1130NK	134x24mm	Nickel	132 lbs.
CMC1130BLK	134x24mm	Matte Black	132 lbs.
CMC1130SNI	134x24mm	Satin Nickel	132 lbs.
CMC1230NK	130x30mm	Nickel	154 lbs.
CMC1230BLK	130x30mm	Matte Black	154 lbs.
CMC1230SNI	130x30mm	Satin Nickel	154 lbs.
CMC1131NK	160x32mm	Nickel	265 lbs.
CMC1131BLK	160x32mm	Matte Black	265 lbs.
CMC1131SNI	160x32mm	Satin Nickel	265 lbs.

\* Each box includes 3 hinges, adjusting kit, mounting instructions, mounting screws, and cover caps. Sold in full boxes only.



Drilling Fixture



Template Inserts

Drilling Templates/Accessories	
Item #	Description
CMC1130FIX	1130 Series Drilling Fixture*
CMC1131/1230FIX	1131/1230 Series Drilling Fixture*
CMC1130TEMP	1130 Series Template Inserts (Set Of 2)
CMC1131TEMP	1131 Series Template Inserts (Set Of 2)
CMC1230TEMP	1230 Series Template Inserts (Set Of 2)

\* Drilling fixture includes frame, 2 template inserts, extension arms, and a nylon ring.

**Special order hinges also available in stainless steel, brushed bronze, and silver painted finishes!**



**SELF-CLOSING WRAP & DEMOUNTABLE HINGES**



**Partial Wrap, Self-Closing Hinges  
Standard Tip, 1/4" &  
1/2" Overlays & 3/8" Inset**



- Two #6 x 5/8" and three #5 x 1/2" screws included

Finish	1/4" Overlay Item #	1/2" Overlay Item #	3/8" Inset Item #
Burnished Brass	AMBPR7566-BB	AMBPR7550-BB	AMBPR7565-BB
Flat Black	-	AMBPR7550-FB	-
Oil Rub Bronze	AMBPR7566-ORB	AMBPR7550-ORB	AMBPR7565-ORB
Satin Nickel	AMBPR7566-G10	AMBPR7550-G10	AMBPR7565-G10
Weathered Nickel	-	AMBPR7550-WN	-



**Partial Wrap, Single Demountable  
1/4", 1/2" Overlays**



- Two #6 x 5/8" screws included

Finish	1/4" Overlay Item #	1/2" Overlay Item #
Burnished Brass	-	AMBPR8719-BB
Oil Rub Bronze	AMBPR8715-ORB	AMBPR8719-ORB
Satin Nickel	-	AMBPR8719-G10



**Double Demountable, Partial Wrap  
Self-Closing Hinges  
1/4", 1/2" Overlays & 3/8" Inset**



- Double demountable hinges feature clamping plates which clamp the hinge to both the door and the frame stile
- Full three way adjustability and easy mounting by slipping hinge into pre-routed slots
- AMCM sold in 100 pairs, full box quantities only

Finish	1/4" Overlay Item #	1/2" Overlay Item #	3/8" Inset Item #
Burnished Brass		AMBPR8704-BB	AMBPR8700-BB
Oil Rub Bronze		AMBPR8704-ORB	AMBPR8700-ORB
Oil Rub Bronze (100 pairs)	AMCMR8701-ORB	AMCMR8704-ORB	-
Satin Nickel	AMBPR8701-G10	AMBPR8704-G10	AMBPR8700-G10

A  
B  
C  
D  
E  
F  
G  
H  
I  
J  
K  
L  
M  
N  
O  
P  
Q  
R  
S  
T  
U  
V  
W  
X  
Y

A  
B  
C  
D  
E  
F  
G  
H  
I  
J  
K  
L  
M  
N  
O  
P  
Q  
R  
S  
T  
U  
V  
W  
X  
Y

**SELF-CLOSING FACE MOUNT HINGES**



**Face Mount Standard & Heavy Duty Hinges, Variable Overlay & 3/8" Inset**



- Traditional semi-concealed styling
- Dual compression spring mechanism
- Heavy duty hinges have wider and thicker door plates
- Standard Duty screws included: (2) #6 x 5/8" and (3) #6 x 1/2"
- Heavy Duty screws included: BPR7628 has (5) #5 x 5/8", BPR7629 has (2) #5 x 5/8" and (3) #5 x 1/2"
- AMCM sold in 100 pairs full box quantities only

Variable Overlay		
Finish	Item #	Item #
<b>Standard Duty</b>		
Burnished Brass	-	AMCM7139-BB
Oil Rubbed Bronze	-	AMCM7139-ORB
Satin Nickel	-	AMCM7139-G10
<b>Heavy Duty</b>		
Antique English	AMBPR7629-AE	-
Bright Chrome	AMBPR7629-26	-

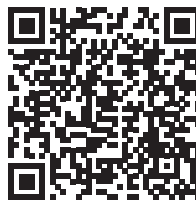
Variable Overlay	
Finish	Item #
<b>Standard Duty</b>	
Burnished Brass	AMBPR3429-BB
Flat Black	AMBPR3429-FB
Oil Rubbed Bronze	AMBPR3429-ORB
Satin Nickel	AMBPR3429-G10

3/8" Inset	
Finish	Item #
<b>Standard Duty</b>	
Burnished Brass	AMBPR3428-BB
Flat Black	AMBPR3428-FB
Oil Rubbed Bronze	AMBPR3428-ORB
Satin Nickel	AMBPR3428-G10
<b>Heavy Duty</b>	
Antique English	AMBPR7628-AE
Bright Chrome	AMBPR7628-26

**FIND IT FAST!**

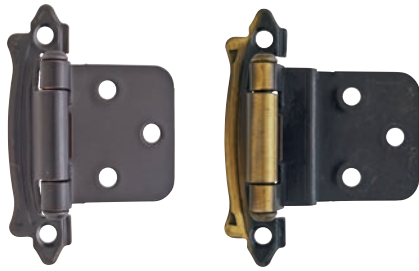


**Screw & Fastener Quickfind**



Look for the icon above at:  
[www.wurthbaersupply.com](http://www.wurthbaersupply.com) or  
 scan the code to the left to go  
 directly to the Screw &  
 Fastener Quickfind Lookup.

**SELF-CLOSING & FREE SWINGING FACE MOUNT HINGES**



Variable Overlay

3/8" Inset

**Self-Closing Hinges  
Carriage House Design,  
Variable Overlay & 3/8" Inset**



- BPR7329 has (2) #5 x 5/8" and (3) #5 x 1/2" screws included,  
BPR7328 has (5) #5 x 5/8"

Finish	Variable Overlay Item #	3/8" Inset Item #
Antique English	-	AMBPR7328-AE
Oil Rub Bronze	AMBPR7329-ORB	-
Satin Nickel	AMBPR7329-G10	-

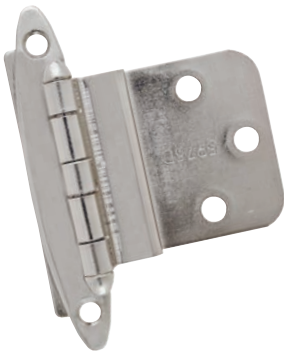


**Self-Closing Hinges  
Imperial Design, 3/8" Inset**



- Inset hinges have (5) #5 x 5/8" screws included

Finish	Item #
Antique English	AMBPR7928-AE
Bright Chrome	AMBPR7928-26
Oil Rub Bronze	AMBPR7928-ORB
Satin Nickel	AMBPR7928-G10



**Free Swinging Hinges  
Modern Design, 3/8" Inset**



- Heavy duty 5 knuckle design
- Non-self closing traditional semi-concealed styling
- Two #5 x 5/8" and three #5 x 1/2" screws included

Finish	Item #
Satin Nickel	AMBPR3417-G10
Oil Rubbed Bronze	AMBPR3417-ORB

A  
B  
C  
D  
E  
F  
G  
H  
I  
J  
K  
L  
M  
N  
O  
P  
Q  
R  
S  
T  
U  
V  
W  
X  
Y

**A FREE SWINGING FULL INSET HINGES**



**Full Inset, Partial Wrap, Free Swinging Hinges  
Ball Tip for 3/4" Thick Doors**



- (2) #6 x 5/8" and (4) #6 x 1/2" screws included

Finish	Item #
Flat Black	AMPK3180TB-FB
Oil Rubbed Bronze	AMPK3180TB-ORB
Satin Nickel	AMPK3180TB-G10
Sterling Nickel	AMPK3180TB-G9



**Full Inset, Partial Wrap, Free Swinging Hinges  
Minaret Tip For 3/4" Thick Doors**



- Two #6 x 5/8" and four #6 x 1/2" screws included

Finish	Item #
Flat Black	AMPK3180TM-FB
Oil Rubbed Bronze	AMPK3180TM-ORB
Satin Nickel	AMPK3180TM-G10
Sterling Nickel	AMPK3180TM-G9



**Full Inset, Full Wrap, Free Swinging Hinges  
Ball Tip for 3/4" Thick Doors**



- Three #6 x 5/8" and four #6 x 1/2" screws included

Finish	Item #
Flat Black	AMPK3175TB-FB
Oil Rubbed Bronze	AMPK3175TB-ORB
Satin Nickel	AMPK3175TB-G10



**Full Inset, Full Wrap, Free Swinging Hinges  
Minaret Tip for 3/4" Thick Doors**



- Screws included: Three #6 x 5/8" and four #6 x 1/2"

Finish	Item #
Flat Black	AMPK3175TM-FB
Oil Rubbed Bronze	AMPK3175TM-ORB
Satin Nickel	AMPK3175TM-G10

**PIN / KNIFE HINGES**



**Youngdale Hinges - Styles #3, #4 & #5**

- Youngdale self-locking pin hinges are completely hidden from frontal view if door edge is a minimum of 7/16" thick
- Door wings are double slotted for easy door adjustment
- All hinges come with (8) #6 x 5/8" screws
- YDCM sold in full box quantities only.



Style	Inset / Overlay Door Edge Thickness	Opening Angles	Opening Angles	Slot Depth / Slot Length
Style #3	5/16" Overlay 1/2" Door Edge Thickness	150° w/1/2" thick double doors on 3/4" face frame	135° w/3/4" thick double doors on 1-1/2" frame	7/16"D/1-7/8"L
Style #4	3/8" Lip Inset	135° w/3/4" thick double doors on 3/4" face frame	165° w/3/4" thick double doors on 1-1/2" face frame	11/16"D/1-3/4" L
Style #5	5/16" Overlay 5/8"+ Door Edge Thickness	120° w/5/8" thick double doors on 3/4" face frame	160°s w/5/8" thick double doors on 1-1/2" face frame	9/16"D/1-7/8"L

Finish	Box Qty	Style #3 Item #	Style #4 Item #
Antique Brass	50 Pairs	YDBP3-AB	YDBP4-AB
	200 Pairs	YDCM3-AB	YDCM4-AB
Bright Brass	200 Pairs	YDCM3-BP	YDCM4-BP
Dark Copper	50 pairs	YDBP3-DC	YDBP4-DC
Bright Nickel	50 Pairs	YDBP3-NP	YDBP4-NP
	200 Pairs	YDCM3-NP	YDCM4-NP
Rubbed Bronze	50 pairs	-	YDBP4-RB
	200 Pairs	-	YDCM4-RB
White Powder Coat	50 Pairs	YDBP3-WH	YDBP4-WH

Finish	Box Qty	Style #5 Item #
Antique Brass	50 Pairs	YDBP5-AB
	200 Pairs	YDCM5-AB
Bright Brass	50 Pairs	YDBP5-BP
	200 Pairs	YDCM5-BP
Bright Nickel	50 Pairs	YDBP5-NP
	200 Pairs	YDCM5-NP
Rubbed Bronze	50 pairs	YDBP5-RB
	200 Pairs	YDCM5-RB
White Powder Coat	50 Pairs	YDBP5-WH
	200 Pairs	YDCM5-WH

A  
B  
C  
D  
E  
F  
G  
H  
I  
J  
K  
L  
M  
N  
O  
P  
Q  
R  
S  
T  
U  
V  
W  
X  
Y

A  
B  
C  
D  
E  
F  
G  
H  
I  
J  
K  
L  
M  
N  
O  
P  
Q  
R  
S  
T  
U  
V  
W  
X  
Y

**PIN / KNIFE HINGES**



**Youngdale Hinges - Styles #6, #65**



- Youngdale self-locking pin hinges are completely hidden from frontal view if door edge is a minimum of 7/16" thick
- Door wings are double slotted for easy door adjustment
- All hinges come with (8) #6 x 5/8" screws
- YDCM sold in full box quantities only.

Style	Inset / Overlay Door Edge Thickness	Opening Angles	Opening Angles	Slot Depth / Slot Length
Style #6	1/2" Overlay 5/8"+ Door Edge Thickness	125° w/5/8" thick double doors on 1-1/4" face frame	150° w/5/8" thick double doors on 1-1/2" face frame	9/16"D/1-7/8"L
Style #65	1/2" Overlay 1/2" Door Edge Thickness	113°s w/3/4" thick double doors on 1-1/2" face frame	139° w/1/2" thick double doors on 1-1/2" face frame	7/16"D /1-7/8" L

Finish	Box Qty	Style #6 Item #	Style #65 Item #
Antique Brass	50 Pairs	YDBP6-AB	YDBP65-AB
	200 Pairs	YDCM6-AB	YDCM65-AB
Bright Brass	200 Pairs	YDCM6-BP	YDCM65-BP
Bright Nickel	50 Pairs	YDBP6-NP	YDBP65-NP
	200 Pairs	YDCM6-NP	YDCM65-NP
Rubbed Bronze	50 pairs	YDBP6-RB	-
	200 Pairs	YDCM6-RB	-
White Powder Coat	50 Pairs	YDBP6-WH	-

**FIND IT FAST!**



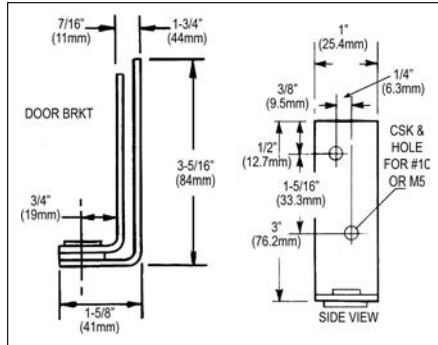
**Screw & Fastener Quickfind**



Look for the icon above at:  
[www.wurthbaersupply.com](http://www.wurthbaersupply.com) or  
 scan the code to the left to go  
 directly to the Screw &  
 Fastener Quickfind Lookup.



**PIVOT HINGES**

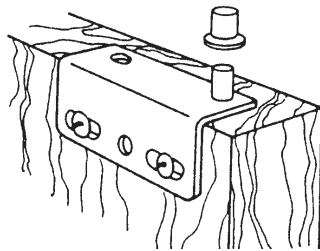


**Trash Can Pivot Hinge**



- Known as the "McDonald's" or "Burger King" hinge
- Heavy gauge pivot hinge is commonly used on swing open lid on trash cans
- For use on panels 1" thick and uses #10 size screws

Item#	Description
SKR75-6661	Gravity Pivot Hinge

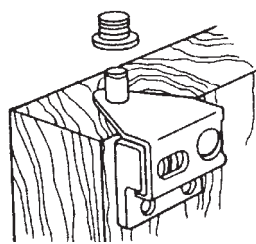


**Pivot Hinges For Inset Doors**



- Steel pivot hinge, black oxidized finish and 9mm nylon pivot bushing
- Accommodates door thicknesses of 1/2" to 5/8"
- Top and bottom door mount with 23/64" (9mm) dia. hole to accept nylon bushing
- Slotted screw holes allow for side-to-side adjustment, screws not included

Item#	Color
CNHT57-BL	Black



**Concealed Pivot Hinge For Flush/Inset Doors**



- Die-cast metal door mounting plates fasten to the top and bottom of the door back allows for easy removal of door
- Pivot section inserts into the frame via a 23/64" hole for nylon bushing
- Allows for door adjustment of 3/16" side-to-side and 1/8" back-to-back
- Nickel plated and unhandled
- Accommodates wood door thicknesses from 9/16" to 3/4"
- Screws not included

Item#	Finish
CNH704U-NP	Bright Nickel Plated

**A PIVOT & BUTT HINGES**

B  
C  
D  
E  
F  
G  
H  
I  
J  
K  
L  
M  
N  
O  
P  
Q  
R  
S  
T  
U  
V  
W  
X  
Y

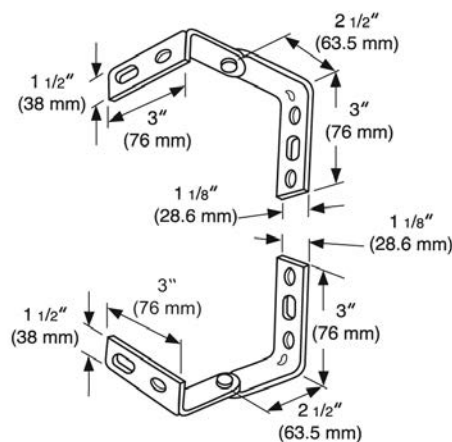
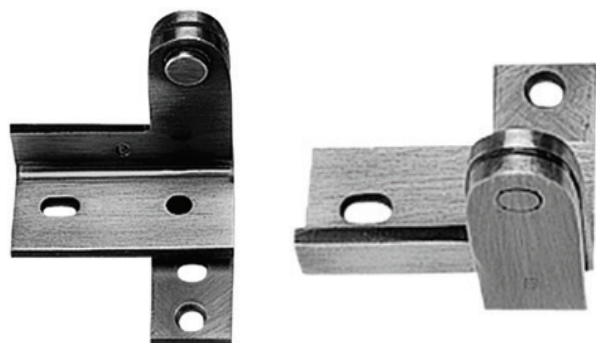


**Overlay Pivot Hinge/  
Thick Doors**

**STANLEY**

- For overlay doors 1-3/8" - 1-3/4" thick and up to 150 lbs.
- Bearings take both vertical and lateral loads
- Doors can be installed floor to ceiling
- Made from extra heavy gauge steel
- Includes: #12 x 1-1/4" screws for firm attachment
- Screw holes allow both vertical and horizontal adjustment
- Full 180° opening
- Set is non-handed

Item#	Finish
SH327-26D	Dull Chrome



**Butt Hinge,  
Fast (Non-Removable) Pin**

- All purpose, light duty utility hinges
- Countersunk holes for full surface or mortise application
- Recommended fasteners WW41410 (not included), 6 screwholes

Item#	Length x Open Width	Knuckles	Finish
FRPB666ZP-2-1/2NS	2-1/2" x 1-11/16"	5	Bright Zinc Plated

**GLASS DOOR HINGES**



**Pivot Hinges For Inset Flush Doors**



- Screws lock hinge to glass
- Available with or without bullet catch, without bullet catch requires the use of a latch to hold the door closed. With bullet catch bores into top of cabinet and engages hinge to hold door closed
- Glass Thickness: 1/8" - 1/4"
- Face Plate Size: 7/8" H x 1-15/16" W
- Angle of Opening: 140° when flush mounted
- Top/bottom mounting via a 5/16" diameter hole in both the top and bottom of the cabinet

Item#	Finish	Bullet Catch
WY2245	Bright Chrome	No
WY2245B	Bright Chrome	Yes



**Pivot Hinge For Inset Doors**



- Screws lock hinge to glass
- Smaller in size than the WY2245 Series
- Does not include bullet catch, requires the use of a latch to hold the door closed
- Glass Thickness: 1/8" - 3/16"
- Face Plate Size: 1/2" H x 1-1/2" W
- Angle of Opening: 120° when flush mounted
- Top/bottom mounting via a 5/16" diameter hole in both the top and bottom of the cabinet

Item#	Finish
WY7025	Black Painted
WY7026	Bright Chrome



**Side Wall Mounted Hinges For Inset Doors**



- Self-locking, removable catch converts to free-swinging. Fully adjustable elongated screw holes
- Hinge is fixed to the door with a rubber backed metal clamp screw to prevent slip
- Glass Thickness: 3/16" - 1/4"
- Face Size: 1-3/16" H x 1-9/16" W
- Angle of Opening: 170°
- Mounting: Sidewall, Top & Bottom
- Min. Reveal Top & Bottom: 3/32"
- Glass Door Max. Weight and Size: 22 lbs., 39-3/8" x 23-5/8"

Item#	Finish
WY2249N	Black Painted
WY2251N	Bright Chrome

A  
B  
C  
D  
E  
F  
G  
H  
I  
J  
K  
L  
M  
N  
O  
P  
Q  
R  
S  
T  
U  
V  
W  
X  
Y

**A SPECIALTY HINGES**



**Folding Table Flap Hinge**

- Made of zinc die cast and is designed to be used in conjunction with a lid support as the hinge is free swinging
- Designed to be used with 5/8" thick material
- 3 way adjustability: 1/8" side-to-side, 1/8" back-to-back and 1/16" up and down
- Installation requires a 1-3/8" (35mm) dia. hole, 15/32" (12mm) D and centered 11/32" from edge of two surface opening angle is 90°
- Screws not included



Item#	Size	Style
WY2351	57mm L x 38.6mm W	Free Swing



**Flap Hinges, Concealed Hinge Design  
90° Self Closing**

- Designed to be used for drop flaps opening to a 90 degree angle
- Mounting plate to be used in a 32mm hole pattern on cabinet side wall and will position hinge cup 1/8" (6mm) from the sidewall
- Hinge has front adjustment +2mm and -1.5mm and is available in left and right handed models
- Screws not included



Item#	Description	Material/Finish
HT1083935	RH Hinge	Steel/Nickel Plated
HT1083936	LH Hinge	Steel/Nickel Plated
HT1079222	Mounting Plate	Steel/Nickel Plated

**ORDERING MADE EASY!**

**Scan Code To Install The  
New Würth Baer Supply  
Mobile App!**



**SCAN • CHECK • BUY**



For more information contact  
Würth Baer Supply Webmaster at  
888-922-2237 or your local sales  
representative.