

ROLLING LADDER HARDWARE KITS

3 EASY STEPS TO ORDER YOUR HARDWARE KITS:

1. Select a Ladder Hardware Kit.....2
 - Standard Wheel with Kit
 - Brake Wheel with Kit
 - Contemporary Wheel with Kit
 2. Select Rail Components.....3
 - Determine how many feet
 - Select Vertical or Horizontal Brackets
 - Select Splice Kits
 - Select End Stop Kits and Tap for Rail
 3. Select the Wood Ladder & Accessories.....4
 - In-stock Wood Ladders
 - Custom Wood Ladders
 - Hand Rails
 - Rung Supports
 - Rungs
 - Step Tread
- General Installation Guide.....5
- General Specification Guide.....6 & 7
- Make Your Own Ladder.....8



1 LADDER HARDWARE KITS:

Ladder Hardware Kits include:

- Lower ladder wheels (finishes shown below)
- Rolling, Upper Hook or Rolling Hook hardware
- All fasteners and rung supports needed for an 8' ladder



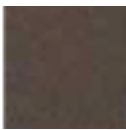
Black



Satin Nickel



Hammered Antique Brass
(* Pattern may vary)



Oil Rubbed
Bronze



Rolling



Hook



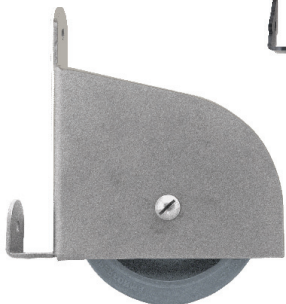
Rolling Hook



Standard Wheel



Lower Brake Wheel



Contemporary Wheel

NEW!

Item #	Type	Finish
STANDARD WHEEL WITH LADDER HARDWARE KITS		
QG20008	Rolling	Black
QG20003*	Rolling	Hammered Antique Brass
QG20007	Rolling	Oil Rubbed Bronze
QG20002	Rolling	Satin Nickel
QG30008	Hook	Black
QG30003*	Hook	Hammered Antique Brass
QG30007	Hook	Oil Rubbed Bronze
QG30002	Hook	Satin Nickel
QG50008	Rolling Hook	Black
QG50003*	Rolling Hook	Hammered Antique Brass
QG50007	Rolling Hook	Oil Rubbed Bronze
QG50002	Rolling Hook	Satin Nickel
LOWER BRAKE WHEEL WITH LADDER HARDWARE KITS		
QG21008	Rolling	Black
QG21003*	Rolling	Hammered Antique Brass
QG21007	Rolling	Oil Rubbed Bronze
QG21002	Rolling	Satin Nickel
QG31008	Hook	Black
QG31003*	Hook	Hammered Antique Brass
QG31007	Hook	Oil Rubbed Bronze
QG31002	Hook	Satin Nickel
QG51008	Rolling Hook	Black
QG51003*	Rolling Hook	Hammered Antique Brass
QG51007	Rolling Hook	Oil Rubbed Bronze
QG51002	Rolling Hook	Satin Nickel
Note: Wheel locks when weight is applied on the ladder, wheel unlocks when weight is taken off.		
CONTEMPORARY WHEEL WITH LADDER HARDWARE KITS		
QG22008	Rolling	Black
QG22003*	Rolling	Hammered Antique Brass
QG22007	Rolling	Oil Rubbed Bronze
QG22002	Rolling	Satin Nickel
QG32008	Hook	Black
QG32003*	Hook	Hammered Antique Brass
QG32007	Hook	Oil Rubbed Bronze
QG32002	Hook	Satin Nickel
QG52008	Rolling Hook	Black
QG52003*	Rolling Hook	Hammered Antique Brass
QG52007	Rolling Hook	Oil Rubbed Bronze
QG52002	Rolling Hook	Satin Nickel

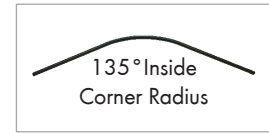
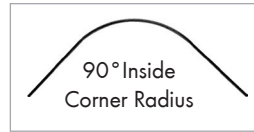
* Hammered Antique Brass finish pattern may vary.

2 SELECT RAIL, BRACKET & COMPONENTS:

A. Rails:



- Made of solid aluminum
- Dimensions: 1" in diameter, available in 4', 5' and 8' lengths.

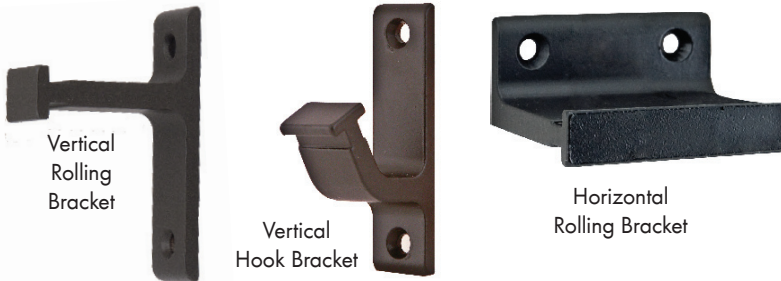


Item #	Finish
4' RAIL LENGTH	
QG400408	Black
QG400403*	Hammered Antique Brass
QG400407	Oil Rubbed Bronze
QG400402	Satin Nickel
8' RAIL LENGTH	
QG400808	Black
QG400803*	Hammered Antique Brass
QG400807	Oil Rubbed Bronze
QG400802	Satin Nickel

Item #	Finish
5' RAIL LENGTH - 90° INSIDE CORNER, 30" RADIUS	
Note: Cannot be used with Hook or Rolling Hook Top Hardware.	
QG40CRV08	Black
QG40CRV03*	Hammered Antique Brass
QG40CRV07	Oil Rubbed Bronze
QG40CRV02	Satin Nickel
5' RAIL LENGTH - 135° INSIDE CORNER	
Note: Cannot be used with Hook or Rolling Hook Top Hardware.	
QG40CRV13508	Black
QG40CRV13503*	Hammered Antique Brass
QG40CRV13507	Oil Rubbed Bronze
QG40CRV13502	Satin Nickel

B. Brackets:

- Select the bracket for Hook, Rolling or Rolling Hook applications.
- Use 1 bracket for every 32" or 4 brackets for an 8 foot rail.



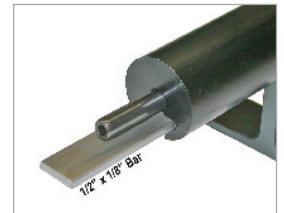
Item #	Type	Finish
VERTICAL RAIL BRACKET KIT		
QG20108	Rolling Bracket	Black
QG20103*	Rolling Bracket	Hammered Antique Brass
QG20107	Rolling Bracket	Oil Rubbed Bronze
QG20102	Rolling Bracket	Satin Nickel
QG30108	Hook Bracket	Black
QG30103*	Hook Bracket	Hammered Antique Brass
QG30107	Hook Bracket	Oil Rubbed Bronze
QG30102	Hook Bracket	Satin Nickel
HORIZONTAL RAIL BRACKET KIT		
QG20208	Rolling Bracket	Black
QG20203*	Rolling Bracket	Hammered Antique Brass
QG20207	Rolling Bracket	Oil Rubbed Bronze
QG20202	Rolling Bracket	Satin Nickel

* Hammered Antique Brass finish pattern may vary.

C. Slice Kits:

- Used to join two rails together.
- 1/2" x 1/8" bar.

Item #
QG41



D. End Stop Kits:

- 2 End Stops per kit.
- Used on the ends of the rails.



Item #	Finish
QG408	Black
QG403*	Hammered Antique Brass
QG4007	Oil Rubbed Bronze
QG4002	Satin Nickel
QG40108	Black
QG40103*	Hammered Antique Brass
QG40107	Oil Rubbed Bronze
QG40102	Satin Nickel

E. Taps:

- Used to insert End Stops at the end of rails.

Item #	Description
QGTAP1420	1/4" x 20 Tap

3 SELECT WOOD LADDER & ACCESSORIES:

A. Wood Ladders

- Includes top turned rung
- Sanded to 120 grit, flat cut, pre-drilled holes for fasteners, dadoed sides for steps
- Ready to finish and assemble

Species	8' Item #	9' Item #	10' Item #
Red Oak	QG6008RO	QG6009RO	QG6010RO
Maple	QG6008MA	QG6009MA	QG6010MA
Cherry	QG6008CH	QG6009CH	QG6010CH

B. Wood Ladders - Custom

- Includes top turned rung and supports
- Custom lengths and wood species available
- 3-4 week leadtime
- Ladders above 8' require additional rung supports



Species
Alder
Aspen
Birch-White
Cherry
Hickory

Species
Maple
African Mahogany
Oak-Red
Oak-White Qtr Sawn
Pine-Clear White
Walnut



C. Steam Bent Solid Wood Hand Rails

- Sanded to 120 grit with pre-drilled assembly holes
- Specify Black or Nickel fasteners (included)
- Sold in pairs

Species	Item #
Cherry	QG6309CH
Hickory	QG6309HC
Maple	QG6309MA
Red Oak	QG6309RO
Walnut	QG6309WA



NEW!

D. Additional Rung Supports

- For 9' and 10' H x 16" W ladders
- For 16' wide ladder



Item #	Finish
QG62008	Black
QG62002	Satin Nickel

E. Top Turned Rungs

- For use when building your own ladder.
- Included with ladders listed above



Species	Item #
Cherry	QG610CH
Maple	QG610MA
Red Oak	QG610RO

F. Clear Non-Skid Step Tread

- For use when building your own ladder.
- Included with ladders listed above



Item #
QG61CLEAR

GENERAL INSTRUCTIONS

Tools Required for Assembly

- 4mm & 5mm Allen wrenches
- #2 Phillips & #2 square screw driver
- 1/4" x 20 thread Tap

STEP 1: Install Brackets and Rail

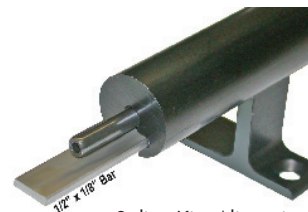
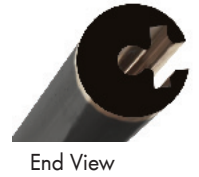
- **(A)** Slide brackets into rail, recommended maximum spacing of 32" apart. Pre-drill holes in wood if needed and screw brackets in place.



- **(B)** Use the splice kit to connect rails together (if applicable).



- **(C)** Tap the end of the rail with a 1/4" x 20 Tap (not supplied) to screw in the end stop finial (complete before installing rail). Install end stop with screw provided. Note: Leave at least 7" clearance above the rail for the top guide hardware to operate properly and allow the ladder to move against the wall



STEP 2: Install Support Rungs on Ladder

- Not applicable for CSH ladders)
- Pre-drill 23/64" holes for rung support rods below rung and screws for rung installation
- Install run with screws provided #8 x 2"
- Install rung support rods



STEP 3: Install Top Guides To Ladder

Drill holes and install top guides to ladder centering the top dowel (top dowel recommended) of the ladder. The placement of the holes will allow a small adjustment of height of ladder, either up or down.



STEP 4: Install Top Turned Rungs On Ladder

Use a forstner bit, drill 7/8" hole part way through for the turned rungs.



Top Turned Rung
 16-1/4" L x 1-1/4" Dia.
 7/8" Dia. Ends
 14-3/8" Inside Width Unfinished

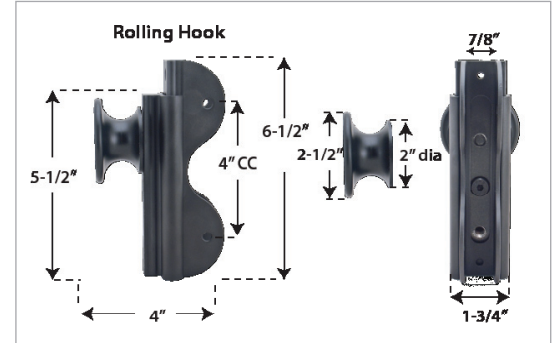
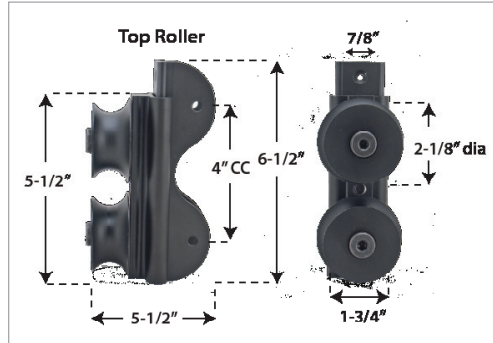
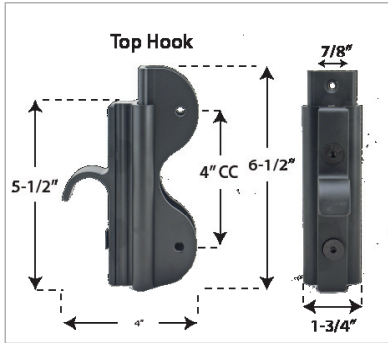
STEP 5: Install Bottom Ladder Rollers

Line up bottom rollers vertical to the floor when ladder is in the climbing position. Pre-drill holes and install bottom rollers.

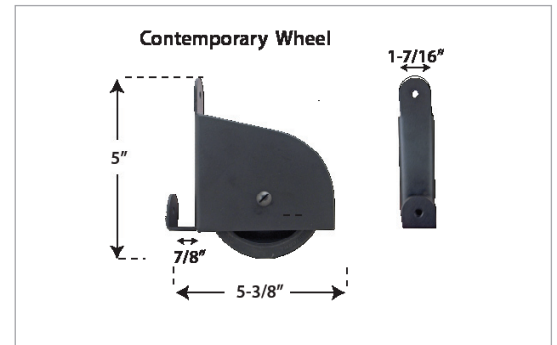
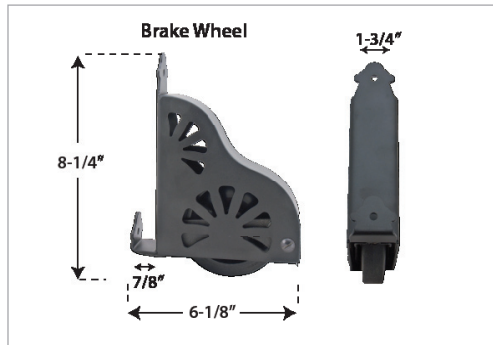
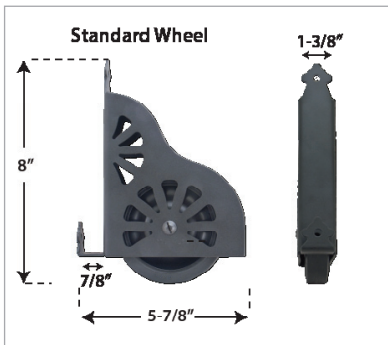


PRODUCT SPECIFICATIONS

Top Ladder Hardware

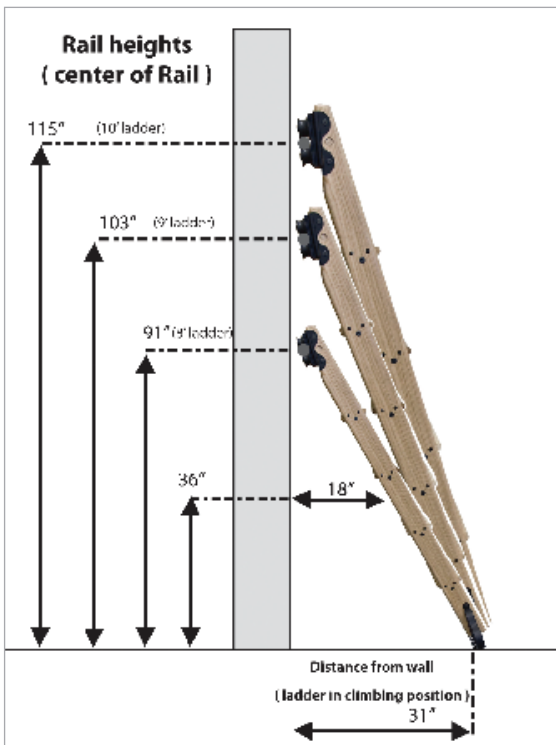


Bottom Ladder Hardware

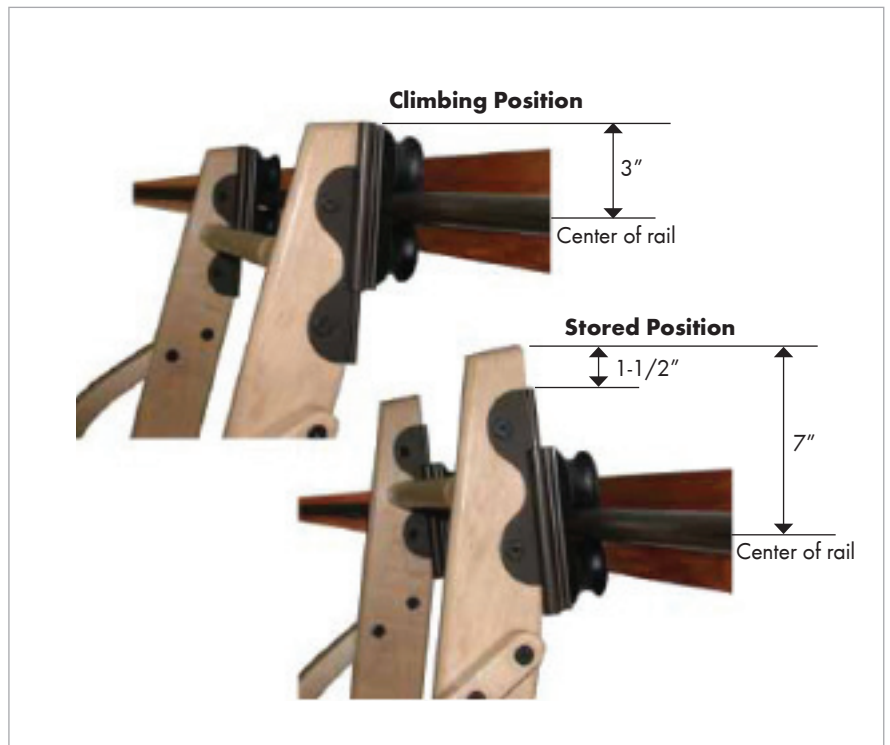


Rail Height & Distance

For 8', 9' & 10' Standard Ladders

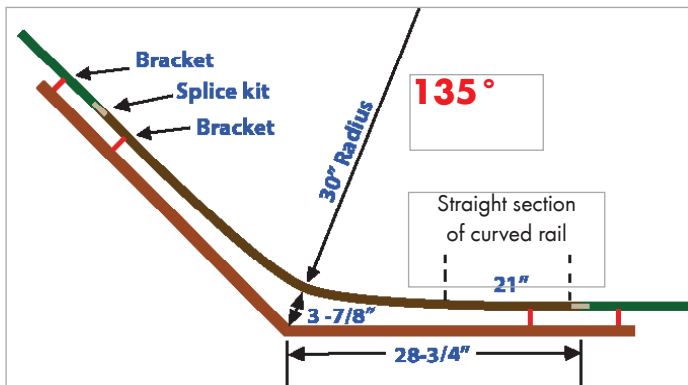
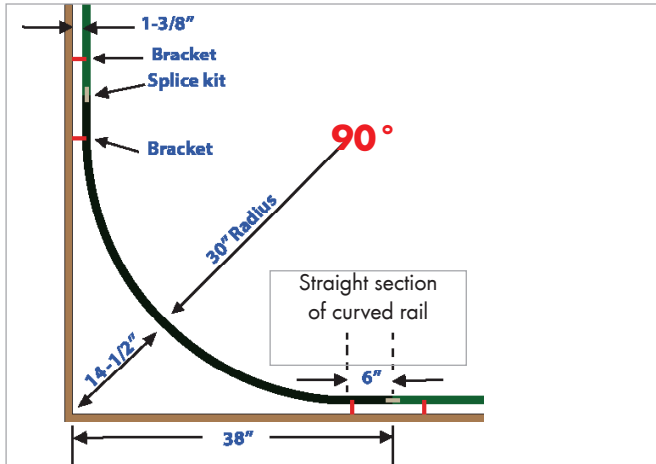


Top Ladder Clearance

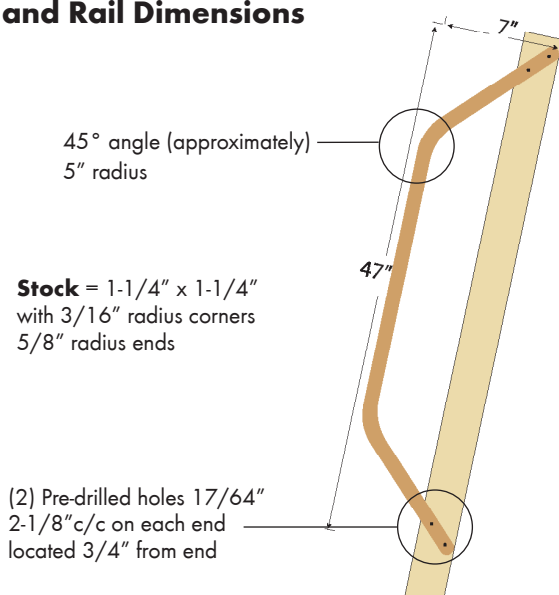


PRODUCT SPECIFICATIONS

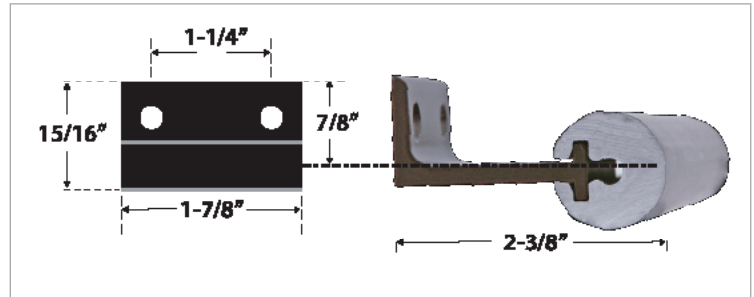
Curved Rail Radius Dimensions (Hook Top Hardware CANNOT be used with curved rails)



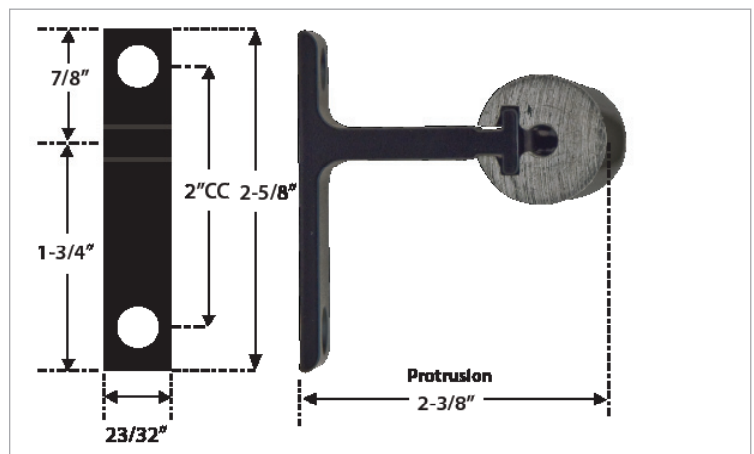
Hand Rail Dimensions



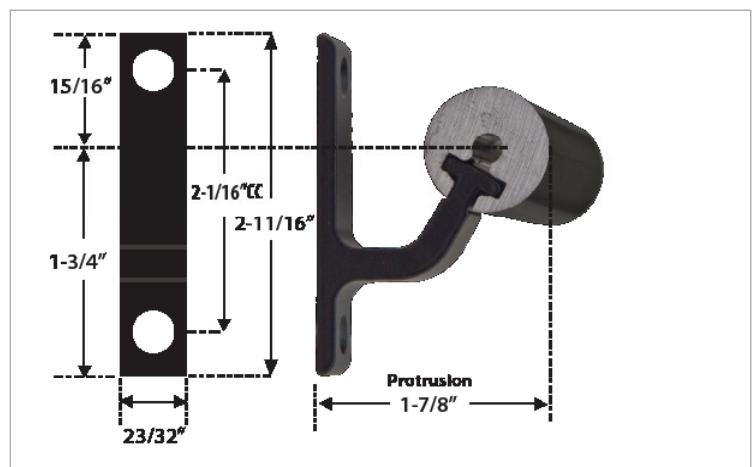
Rail Bracket - Horizontal Roller Type Upper Roller Guide Only



Rail Bracket - Vertical Roller Type Upper Roller Guide Only

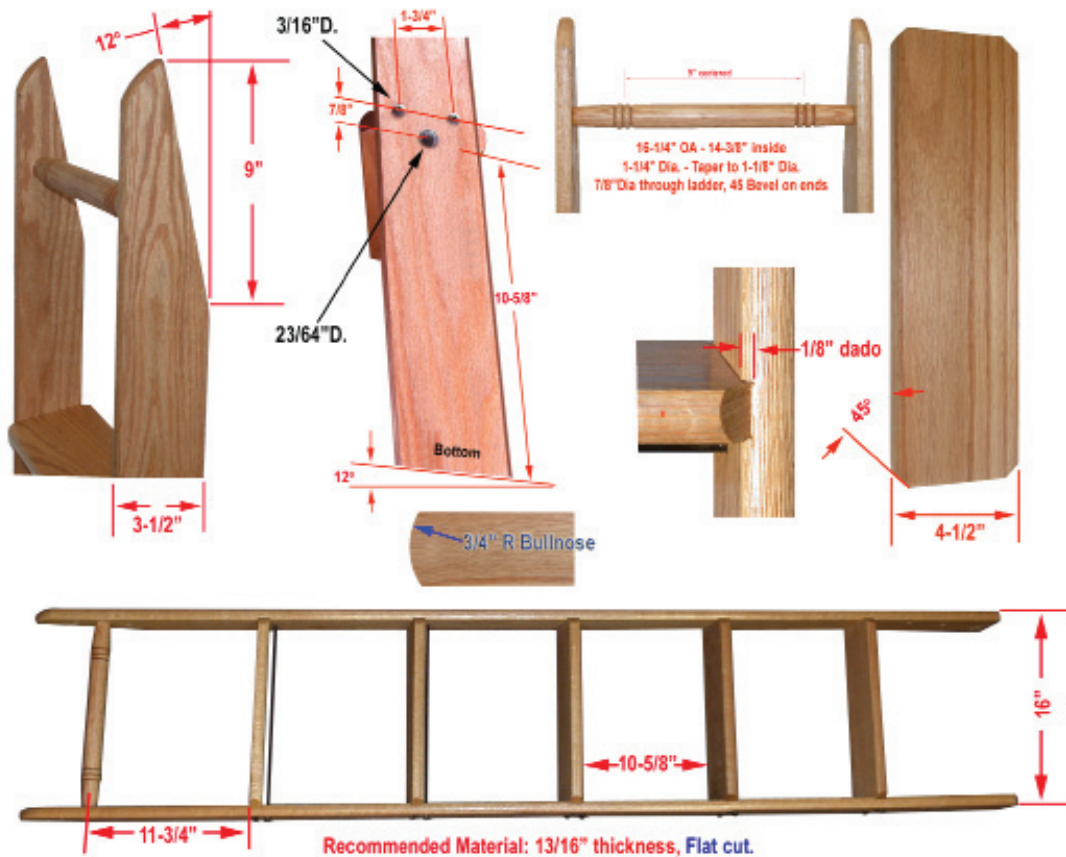


Rail Bracket - Vertical Hook or Rolling Hook Type Upper Hook Guide Only



MAKE YOUR OWN LADDER

To determine length of ladder: Measure from the center of rail to the floor, then **add five inches** to the measurement.



ROLLING LADDER HARDWARE KITS

Patent Pending
Exclusive patent on
Rolling Hook Top Hardware.

**LIFETIME
WARRANTY**

